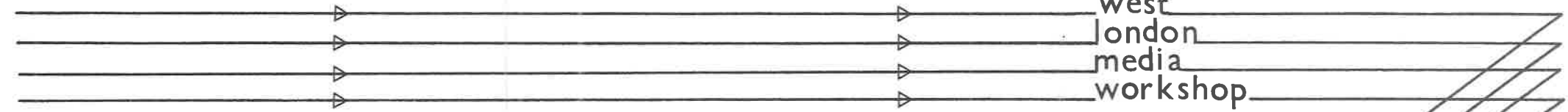


west
london
media
workshop



The West London Media Workshop (WLMW) was established in 1978 to develop the uses of photography and video as tools for communications and recreation in the non-commercial fields; it incorporates Pinhole Productions Photography Project (photo) and Reel T.V. (video).

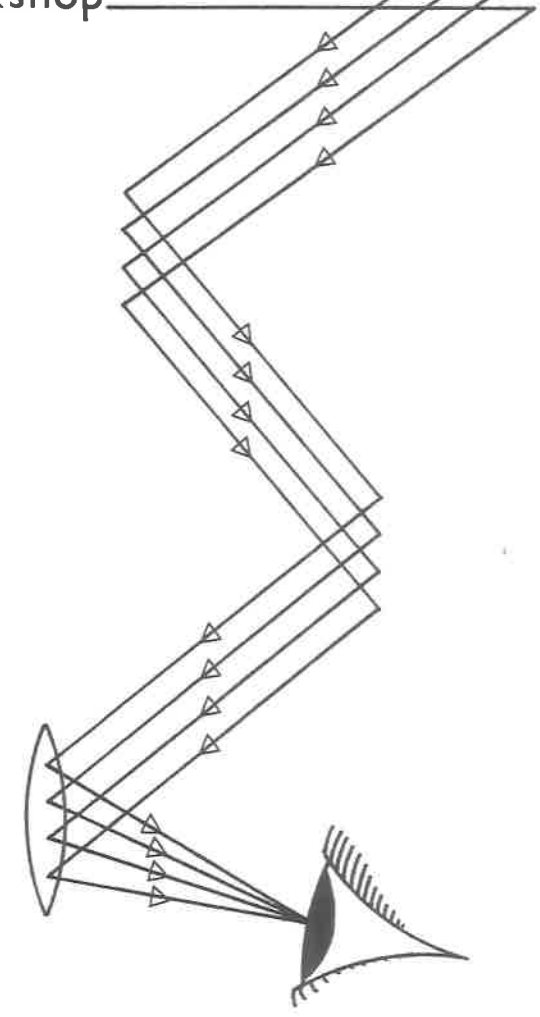
The workers in the Workshop come out of a background of education, youth and community work and community arts and have several years of experience of using visual media in these fields.

The WLMW is a registered, non-profit making Industrial and Provident Society, with charitable aims.

The WLMW is supported by the Arts Council of Great Britain and the Greater London Arts Association.

current information :

west london media workshop
st. thomas' church hall
east row
london w.10
tel. 969 1020



video
information

Training

We run a number of different training courses, geared to enabling people to develop the skills of using video as an alternative non-broadcast tool for communication. The courses cover the practical and the theoretical uses of the medium.

using the portapac

This course consists of 6 tightly structured 3-hour sessions run over a 4 week period. The course is designed to make people competent in the use of the portapac (basic portable video recorder). It covers the use of the camera, lighting, sound, replay, basic maintenance and care of equipment. Between the 5th and 6th session each student uses the equipment to make a tape that incorporates the basic elements of programme making.

Time is taken during the course to look at and discuss the applications of video in non-broadcast situations.

The student:teacher ratio is 4:1. Course notes are provided.

video with kids

A two-day training course for people with previous video experience in the application of video to youthwork.

special courses

We are available to run courses to meet the specific needs of groups and individuals. These are run either at the Workshop or at the students' workplace.

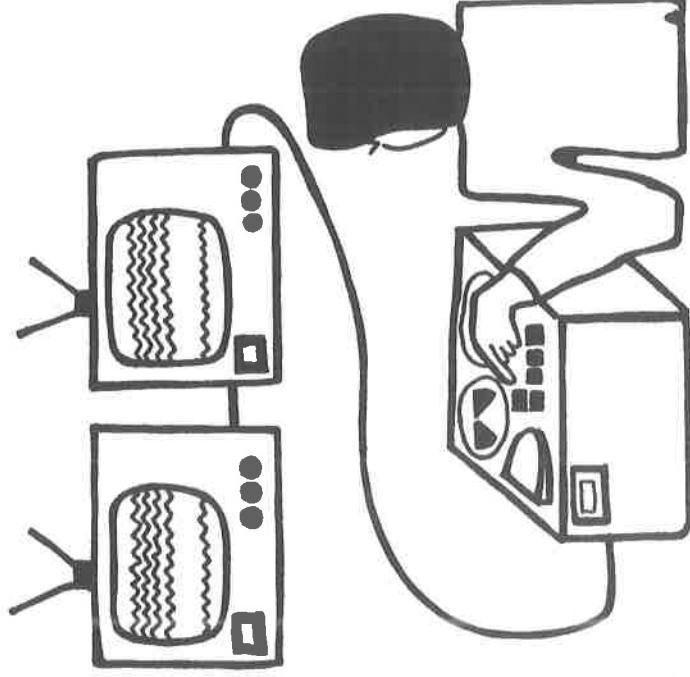


Equipment Hire

The Workshop restricts equipment hire to replay only — video replay machines and monitors.

Tape Hire

We have a number of tapes on a wide variety of topics, for hire. A full list can be obtained on request. We are also contributors to the London Video Workers Collective's Directory of Video Tapes, copies of which are available from the Workshop. We can also advise you on the source and suitability of various types of replay equipment.



Production

We have a wide range of production facilities — including sound and vision recording, editing, audio and vision mixing, and simple studio work. These facilities are available for a variety of production projects:

fully edited video programmes

Where the Workshop undertakes full scale projects in consultation with groups/organisations, to produce a high quality end product which can be used for educational, promotional purposes.

one-off projects

(Video recordings of conferences, events, role-plays, festivals etc.)

Where we offer our skills and facilities for recording specific events. These recordings can be used for immediate replay, retained as unedited material, or edited down at a later date.

kids sessions

Our equipment and an I.L.E.A. reg'd tutor are available for a wide range of kids' activities either in the studio or on site. We charge I.L.E.A. rates for these sessions.

How Much Will It Cost?

Training Courses:

Using the portapac	£50
Video and Kids	£25
Specialist Courses	Fees by arrangement

Production costs are worked out on the basis of the client's requirements, and include costings for labour, equipment hire and overhead costs. Plus a 10% contingency.

Hire of video equipment costs £2.50 per hour.

Hire of video tapes costs between £8 and £10 per replay, plus postage and packing.