

west
london
media
workshop

current information :

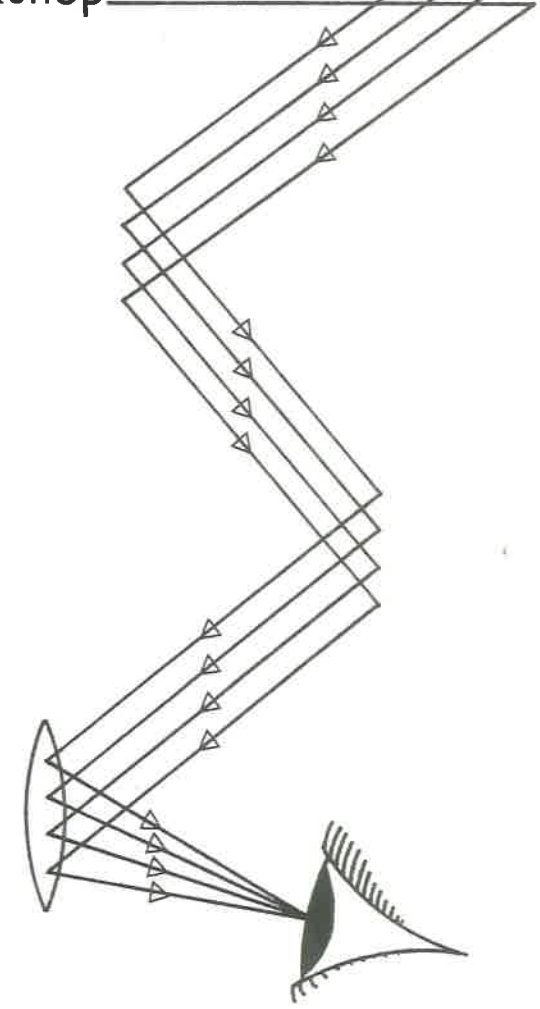
The West London Media Workshop (WLMW) was established in 1978 to develop the uses of photography and video as tools for communications and recreation in the non-commercial fields; it incorporates Pinhole Productions Photography Project (photo) and Reel T.V. (video).

The workers in the Workshop come out of a background of education, youth and community work and community arts and have several years of experience of using visual media in these fields.

The WLMW is a registered, non-profit making Industrial and Provident Society, with charitable aims.

The WLMW is supported by the Arts Council of Great Britain and the Greater London Arts Association.

west london media workshop
st. thomas' church hall
east row
london w.10
tel. 969 1020



photography
information

Workshops

The project runs workshops with groups to use photography for a particular purpose. The workshops' emphasis is on the application of photography to a specific area i.e.

education — media or environmental studies with schools and colleges;

recreation — holiday programmes on simple photography with children and young people;

community action — initiating community involvement through publicity and education.

The sessions are structured according to the age and make-up of the groups and the aspect of photography covered; 35mm camera work, pinhole photography or exhibition work. Cost varies according to (a) materials used, (b) length of the workshop, and (c) whether we need to set up a temporary darkroom on site.



Exhibitions

Many of our projects, workshops and courses result in material being mounted for exhibition. This process has given us a clear idea about what makes an effective photographic display. We can therefore mount an exhibition, from taking the pictures through to presentation or advise on layout design. We also have access to dry mounting and laminating equipment.



Access

Pinhole Productions is fully equipped for black and white photography. Our darkroom and cameras are available for hire by schools, community groups and individuals. Paper, film and other photographic materials can be purchased from us at less than retail price.

We can also give assistance in the darkroom, advice on the use and purchase of camera equipment and help with the presentation of your photographs



Training Courses

Pinhole Productions runs a regular training course designed for those with little or no experience in photography. Starting with making and using a pinhole camera, "From Pinholes to Exhibitions", will take you through 35mm camerawork and darkroom procedure with facilities available for mounting an exhibition of the work produced during the course.

It includes discussion on visual communication covering the ways photography can be used in youth work and community action, giving ideas for teaching it to groups and just showing how to enjoy it more!

The course usually takes two full days to complete with some additional time available for participants to use the darkroom on their own.

See the back for details of our forthcoming courses.