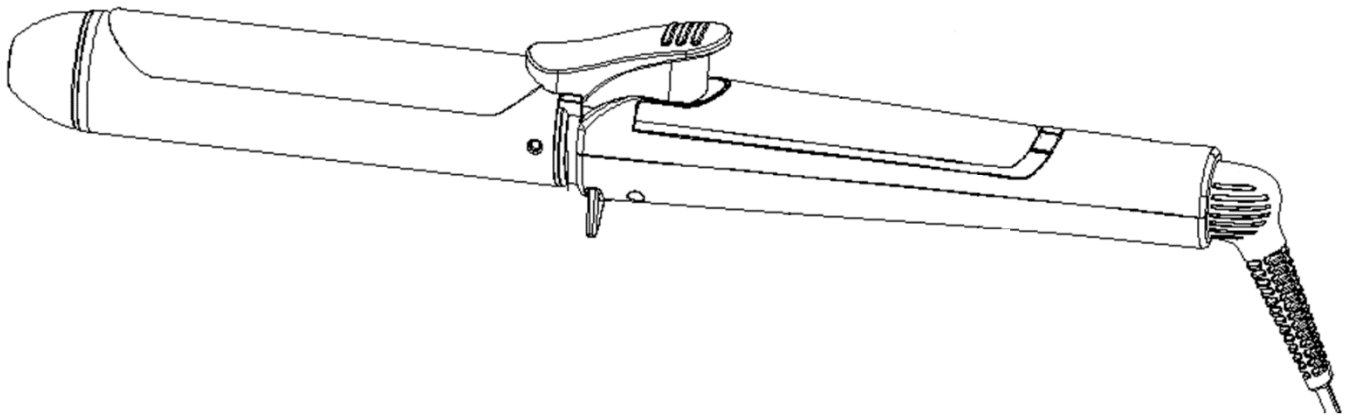


nicky clarke



Hair Therapy 32mm Curling Tong

Model No: NTS051

INSTRUCTION BOOKLET

HOUSEHOLD USE ONLY

Please **READ** and **RETAIN** for future reference

PLEASE RETAIN **FOR FUTURE REFERENCE**

Thank you for purchasing your Nicky Clarke Hair Therapy Curling Tong.
To get the best from your new tong, take a few moments to read these instructions and keep them in a safe place for future reference.
Should you require any further assistance, our friendly Customer Service team will be happy to help.

Aftersales Service

This appliance is built to the very highest of standards. There are no user serviceable parts. If the unit fails to operate correctly, please follow these steps:

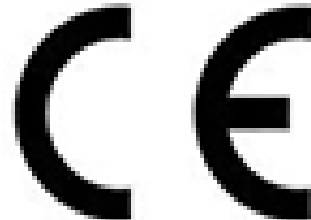
- 1) Check the instructions within this booklet have been followed correctly.
- 2) Check the socket is powered and working using another appliance.
- 3) Check the fuse in the plug has not blown.
- 4) Check the mains supply is functional.
- 5) Check the appliance is switched on. **DO NOT** Open the case of the product or attempt anything other than basic cleaning maintenance.
- 6) Leave the product to cool for 30 minutes and check whether it works again.

If the appliance still fails to operate then please contact us at the below **BEFORE** returning to place of purchase:

For Customer Services please call **0345 209 7461**
Or visit us at **www.nickyclarke.com**

Safety Instructions

IMPORTANT SAFETY INSTRUCTIONS
READ CAREFULLY AND KEEP FOR FUTURE REFERENCE



WARNING:

- This tong reaches very high temperatures. Do not leave in contact with your hair for more than a few seconds otherwise you may cause damage to your hair.
- Parts will get hot during use, especially the barrel. Take care not to touch the barrel. Avoid your tong coming into contact with the scalp, face, neck or hand.
- It is hazardous for anyone other than a competent person to carry out any service or repair operation that involves the removal of a cover which gives protection against exposure to electrical parts.
- This product is intended for household use only. **DO NOT** use outdoors.
- This appliance can be used by children aged from 8 years and above and persons with reduced physical, sensory or mental capabilities or lack of experience and knowledge if they have been given supervision or instruction concerning use of the appliance in a safe way and understand the hazards involved. Children shall not

play with the appliance. Cleaning and user maintenance shall not be made by children unless they are older than 8 and supervised. Keep the appliance and its cord out of reach of children less than 8 years.

- **DO NOT** wrap the cord around the appliance.
- **DO NOT** immerse in water or other liquids for cleaning.
- **EU ONLY:** If this appliance is used in a bathroom you **MUST** install a residual current device (RCD) with a rated operating current not exceeding 30mA in the electrical circuit supplying the bathroom. An electrician will advise you of this.*
- If the curling tong is used in a bathroom, unplug it immediately after as the proximity of water presents a hazard even when the curling tong is switched off
- **DO NOT** store or use the unit outdoors or on wet surfaces.
- **DO NOT** handle the plug or appliance with wet hands.
- Use only as described in this manual.
- **DO NOT** abuse the power cord; never carry the appliance by the cord or pull cord to disconnect from an outlet; grasp the plug and pull to disconnect from an outlet.
- Keep clothing, fingers, and all parts of the body clear of hot parts.

***The fitting of an electrical socket for, or capable of, operating the appliance, is not permitted in the UK. Nevertheless, European standards require us to include this warning in these instructions**

- **NEVER** leave the appliance unattended when switched on.
- **NEVER** remove parts from the appliance such as the case, screws and so on.
- Only use the accessories supplied by the manufacturer.
- **NEVER** put any objects into the openings on the outer case.
- This appliance is authorized for household/residential use only **DO NOT** operate this appliance for anything other than its intended use.
- **DO NOT** allow to be used as a toy. Close attention is necessary when used by or near children.
- Children should be supervised to ensure they don't play with the appliance.
- Use only as described and for the uses described in this manual.
- **DO NOT** use the appliance if the power cord or plug has been damaged.
- **DO NOT** use appliance if it has been dropped, damaged, left outdoors, or dropped in water. Contact customer services for advice.
- Keep power cord away from heated surfaces (e.g., cooking surfaces).
- **NEVER** use the appliance near showers, bathtubs, basins, or other vessels containing water.

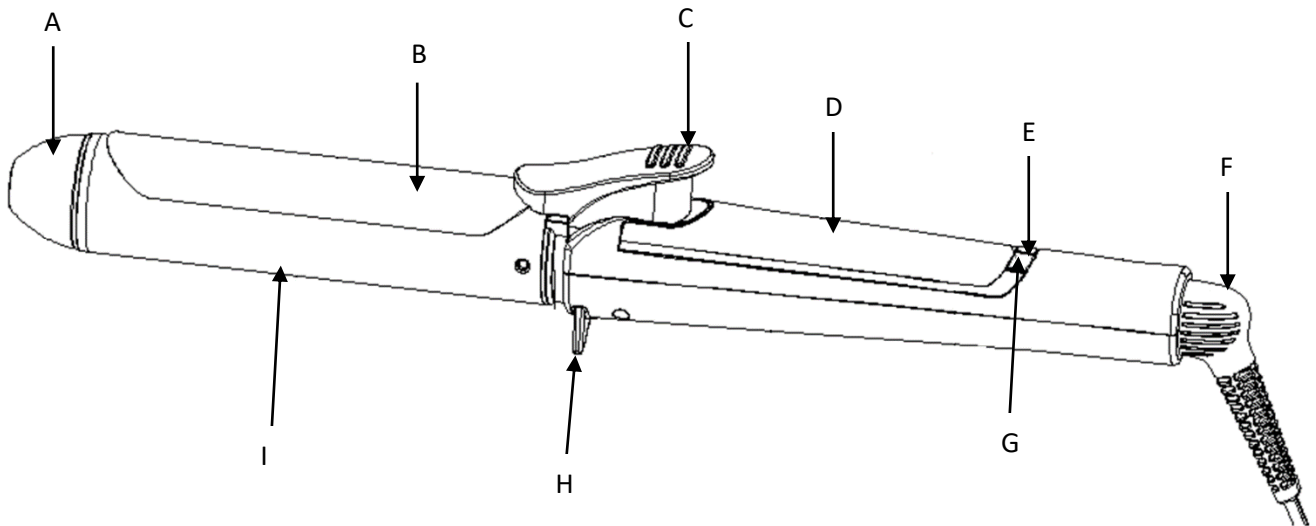
For Customer Services please call **0345 209 7461**

Or visit us at **www.nickyclarke.com**

- **DO NOT** put any objects into openings.
- Keep free of dust, lint, and hair.
- Turn off and allow to cool the curling tong before storing.
- Always allow the appliance to cool on a heat resistant surface before cleaning and storing it.

For Customer Services please call **0345 209 7461**
Or visit us at **www.nickyclarke.com**

Feature Diagram



The illustrations in these instructions may differ slightly from the actual unit supplied.

- A) Cool Touch
- B) Hair Clamp
- C) Clamp Release Lever
- D) Temperature Touch Display
- E) Temperature Lock Button
- F) Swivel Cord
- G) On/Off Button
- H) Resting Stand
- I) Ceramic Barrell

For Customer Services please call **0345 209 7461**
Or visit us at **www.nickyclarke.com**

Preparing for Use

- 1) Remove all packaging and keep it safe until you are satisfied with your product
- 2) DO NOT plug in the curling tong until you are ready to use it
- 3) Check the unit for any visual damage such as:
 - a. Misaligned or damaged parts
 - b. Damage to the body, plug or power cord
- 4) If you can see any damage do not use the curling tong and contact customer services.

Tourmaline Technology

Your Nicky Clarke hair curling tong uses tourmaline technology which helps make hair softer and easier to style. Tourmaline is a precious stone that has been finely crushed and added to the ceramic coating, promoting natural benefits for the hair.

Using Your Curling Tong

Take care when handling hot surfaces.

- 1) Ensure your hands are dry and your hair is completely dry and tangle free before using your curling tong.
- 2) Ensure there is no moisture on the appliance, or on the plug
- 3) Plug the unit into a suitable mains supply and switch on. Select the desired temperature setting.

For Customer Services please call **0345 209 7461**

Or visit us at www.nickyclarke.com

- 4) Always place your curling tong on a solid, flat, stable, heat resistant surface. Do not place your curling tong on a soft or uneven surface such as a carpet, bedding or rug and never cover your curling tong. The barrel reaches high temperatures very quickly.
- 5) Switch your curling tong on by pressing and the on/off button. The display will flash 140 °C and your curling tong will start to heat up.
- 6) When 140 °C is reached, the display will stop flashing. The barrel stays at this heat setting unless the temperature is adjusted on the display.
- 7) Select the most suitable heat setting for your hair type by sliding/pressing the desired temperature on the display. As with all products that reach salon high temperatures, do not use your curling tong too frequently to avoid damaging your hair.
- 8) Press the lock button to avoid accidentally adjusting the temperature mid use.
- 9) When a higher temperature has been selected the light will flash, and become solid when reached. There will be a short delay. When the selected temperature has been reached the display will occasionally flash on and off during operation. This is normal.
- 10) If you choose to reduce the temperature, press or slide to a lower temperature on the display until the required temperature is displayed. The displayed temperature will flash. Please note that it will take some time to reduce to the lower temperature.
- 11) Style your hair as desired.

- 12) Use the lowest heat setting, 140°C, for fine and short hair Use the highest heat setting, 200°C, for thick and long hair. Once the hair is curled around the curling tong, hold in place for 5-10 seconds depending on the texture and length of hair. For tighter curls use less hair when wrapping the hair around the barrel. For looser curls, select thicker sections of hair to wrap around the curling tong.
- 13) Switch off by pressing the on/off button for 1-2 seconds and unplug your curling tong immediately after use. Always allow your curling tong to completely cool down on a heat proof mat before storing.

Safety Auto Shut Off

This unit is fitted with a safety auto shut off feature. If the unit is not used, for example no controls are touched for approximately 1 hour, the unit will automatically switch itself off. To restart the unit, press and hold the on/off button for about 2 seconds.

Cleaning and Maintenance

To ensure your curling tong remains at its optimal performance, it will require regular cleaning and maintenance.

- 1) Switch the curling tong off, unplug from the mains, allow to cool fully, and discharge any residual charge by sliding the temperature display.

- 2) Wipe over the casing using a soft damp cloth (if necessary a very small amount of washing up liquid may be used on the outer case only). **DO NOT** immerse the unit in water or any liquid.
- 3) **DO NOT** use any harsh abrasives or cleaners as these will damage the appliance.

**NEVER ATTEMPT TO CLEAN THE CURLING TONG BY
INSERTING AN IMPLEMENT**

If you have long hair or use large amounts of styling products, clean the barrel regularly i.e. once a month

Troubleshooting

Your curling tong will stop working if it has overheated.

- 1) Unplug the curling tong.
- 2) Allow it to cool completely.
- 3) Clean the barrel.
- 4) Plug your curling tong in and use normally.

In the unlikely event that your curling tong continues to overheat, unplug it and contact customer services.

Storage

Ensure your curling tong is completely cool and dry. Do not wrap the supply cord around your curling tong. Ensure the plates are sufficiently cooled before locking the curling tong. Store your curling tong in a cool, dry, safe place out of the reach of children.

Connecting to the Mains Supply

This appliance has been designed for BS Plug outlets only. It can be used with a suitable adapter, but under no circumstances should the plug ever be removed and changed for a different type. Any action to physically change the plug outside of changing the fuse will void the warranty on this appliance.

If the fuse in a moulded plug needs to be changed, the fuse cover must be refitted. The appliance must not be used without the fuse cover fitted.



This symbol indicates that this unit is a Class II appliance and therefore an earth connection is not required.

For Customer Services please call **0345 209 7461**

Or visit us at **www.nickyclarke.com**

Guarantee

PLEASE RETAIN YOUR RECEIPT AS PROOF OF PURCHASE

At Nicky Clarke, we take all our customer feedback seriously.

Contact our Customer Service Team, on 0345 209 7461 who will be more than happy to assist you.

This product is guaranteed for 12 months from the date of the original purchase. If any defect arises due to faulty materials or workmanship, the faulty product must be returned to the place of purchase with original proof of purchase. Refund or replacement is at the discretion of the retailer.

The following conditions apply:

- The product must be returned to the retailer with the original proof of purchase.
- The product must be installed and used in accordance with the instructions contained in this instruction guide and any other instructions for use which are supplied.
- It must be used for domestic purposes only and for its intended use.
- This warranty does not cover wear and tear, damage, misuse, use with incorrect voltage, acts of nature or consumable parts.

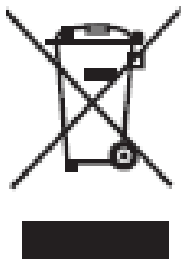
THIS DOES NOT AFFECT YOUR STATUTORY RIGHTS

Notes

Notes

For Customer Services please call
0345 209 7461
Or visit us at www.nickyclarke.com

Revision 1.5
Model: **NTS051**



This symbol is known as the 'Crossed-out wheellie bin Symbol'. When this symbol is marked on a product/batteries, it means that the product/batteries should not be disposed of with your general household waste. Only discard electrical/electronic/battery items in separate collection schemes, which cater for the recovery and recycling of materials contained within. Your co-operation is vital to ensure the success of these schemes and for the protection of the environment. For your nearest disposal facility, visit www.recycle-more.co.uk or ask in store for details.

We reserve the right, due to possible changes to design, to alter the instruction manual without prior notice.

All rights reserved. Imported and distributed by G2S Ltd on behalf of Nicky Clarke©, Green Bank Business Park, Swan Lane, Hindley Green, Wigan, WN2 4AY

This product may differ slightly from the one illustrated.