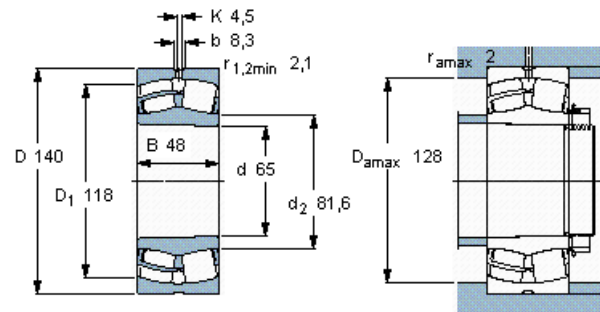


# Spherical roller bearings, cylindrical and tapered bore, tapered bore, unsealed



Principal dimensions			Basic load ratings		Fatigue load limit $P_u$	Speed ratings		Mass	Designation
d	D	B	dynamic	static		Reference speed	Limiting speed		
mm			C	$C_0$	kN	r/min	kg	-	* - SKF Explorer bearing
65	140	48	340	360	38	3800	3,65	22313 EK *	



Tapered bore, taper  
1: 12

### Calculation factors

e 0,35  
 $Y_1$  1,9  
 $Y_2$  2,9  
 $Y_0$  1,8