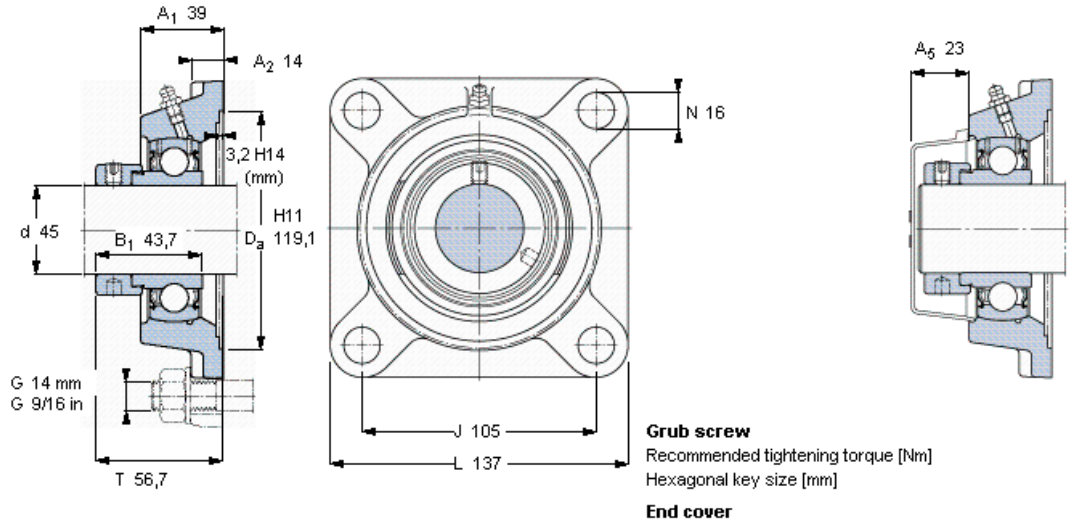


Y-bearing flanged units, cast housing, square flange, eccentric locking collar, metric bearings

Dimensions					Basic load ratings		Limiting speed with shaft tolerance h6	Mass	Designations		
d	A <sub>1</sub>	J	L	T	dynamic	static			Bearing unit	Housing	Bearing
mm					C	C <sub>0</sub>	r/min	kg	-	-	
45	39	105	137	56,7	33,2	21,6	4300	2,15	FY 45 FM	FY 509 M	YET 209



M 10×1  
16,5  
5  
ECY 209