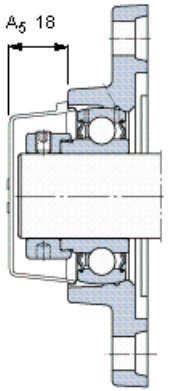
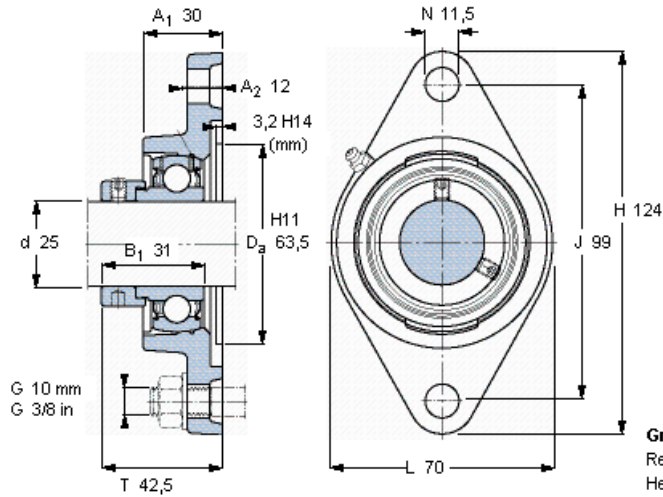


Y-bearing flanged units, cast housing, oval flange, eccentric locking collar, metric bearings

Dimensions					Basic load ratings		Limiting speed with shaft tolerance h6	Mass	Designations		
d	A ₁	J	L	T	dynamic	static			Bearing unit	Housing	Bearing
mm					C	C ₀	r/min	kg	-		
25	30	99	70	42,5	14	7,8	7000	0,64	FYTB 25 FM	FYTB 505 M	YET 205



Grub screw
 Recommended tightening torque [Nm] 4
 Hexagonal key size [mm] 3

End cover
 ECY 205