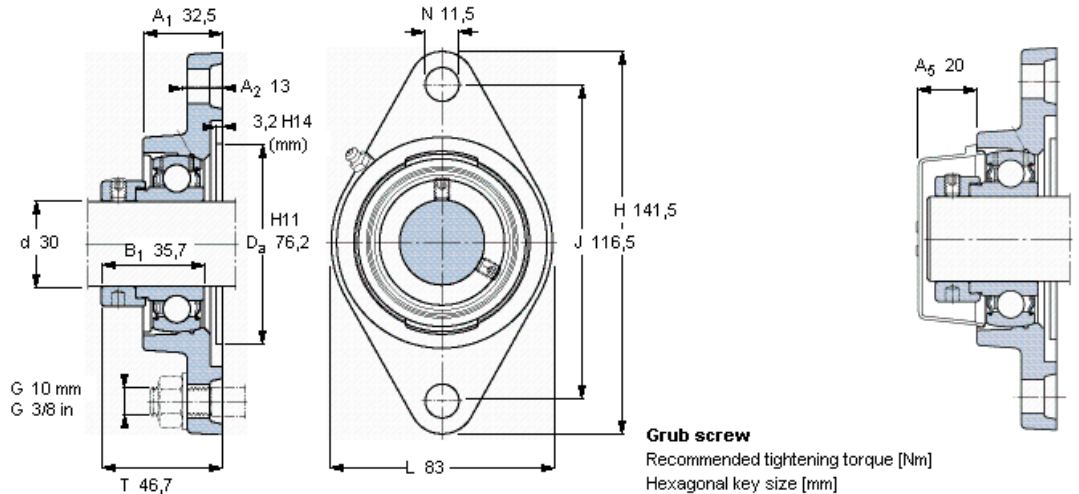


Y-bearing flanged units, cast housing, oval flange, eccentric locking collar, metric bearings

Dimensions					Basic load ratings		Limiting speed with shaft tolerance h6	Mass	Designations		
d	A ₁	J	L	T	dynamic	static			Bearing unit	Housing	Bearing
mm					C	C ₀	r/min	kg	-		
30	32,5	116,5	83	46,7	19,5	11,2	6300	0,95	FYTB 30 FM	FYTB 506 M	YET 206



Grub screw
 Recommended tightening torque [Nm]
 Hexagonal key size [mm]

M 8×1
 6,5
 4

End cover

ECY 206