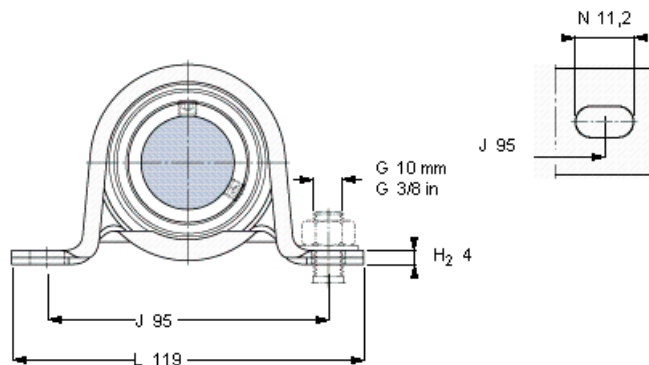
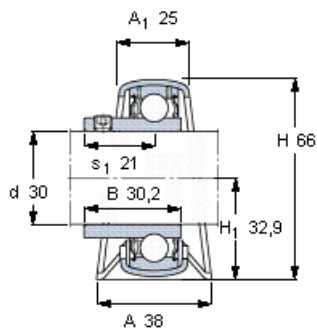


Y-bearing plummer block units, pressed steel housing, grub screw locking, metric bearings

Dimensions					Basic load ratings		Permissible housing load radial	Mass Bearing unit	Bearing unit No order designation	Order designations		Rubber seat ring
d	A	H	H ₁	L	dynamic C	static C ₀				Housing	Bearing	
mm					kN		kN	kg	-	-		
30	38	66	32,9	119	19,5	11,2	2,6	0,42	P 30 RM	P 62	YAT 206	-



Grub screw

Recommended tightening torque [Nm]
Hexagonal key size [mm]

M 6×0.75
4
3