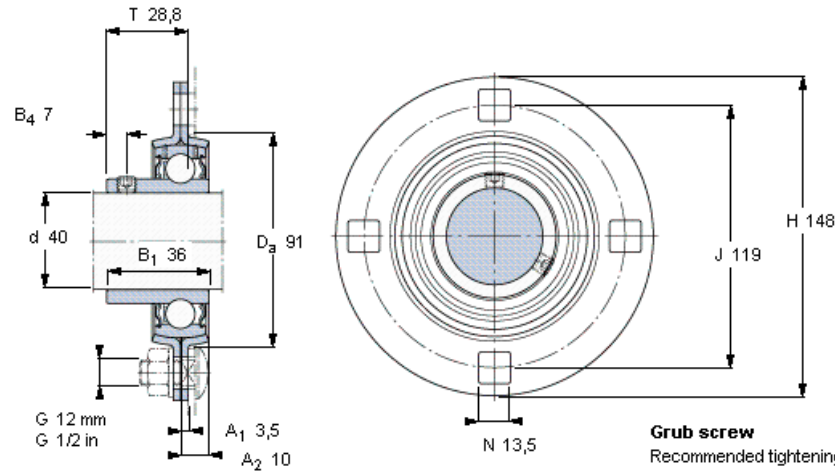


# Y-bearing flanged units, pressed steel housing, grub screw locking, with round flange, metric bearings



Dimensions					Basic load ratings		Permissible housing load radial	Mass Bearing unit	Bearing unit No order designation	Order designations	
d	D <sub>a</sub>	H	J	T	dynamic C	static C <sub>0</sub>				Housing	Bearing
mm					kN		kN	kg	-		
40	91	148	119	28,8	30,7	19	7,5	1,18	PF 40 RM	PF 80	YAT 208



**Grub screw**  
 Recommended tightening torque [Nm]  
 Hexagonal key size [mm]

M 6×0.75  
 4  
 3