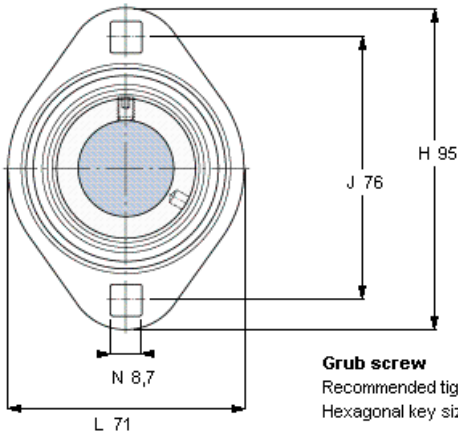
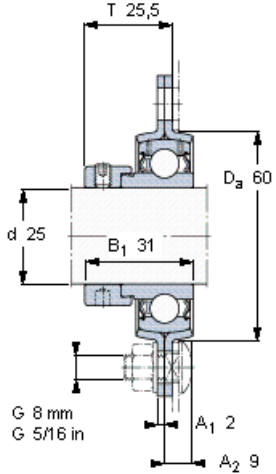


Y-bearing flanged units, pressed steel housing, eccentric locking collar, with oval flange, metric bearings

Dimensions					Basic load ratings		Permissible housing load radial	Mass Bearing unit	Bearing unit No order designation	Order designations	
d	D _a	H	J	T	dynamic C	static C ₀				Housing	Bearing
mm					kN		kN	kg	-		
25	60	95	76	25,5	14	7,8	3,6	0,29	PFT 25 FM	PFT 52	YET 205



Grub screw
Recommended tightening torque [Nm]
Hexagonal key size [mm]

M 6×0.75
4
3