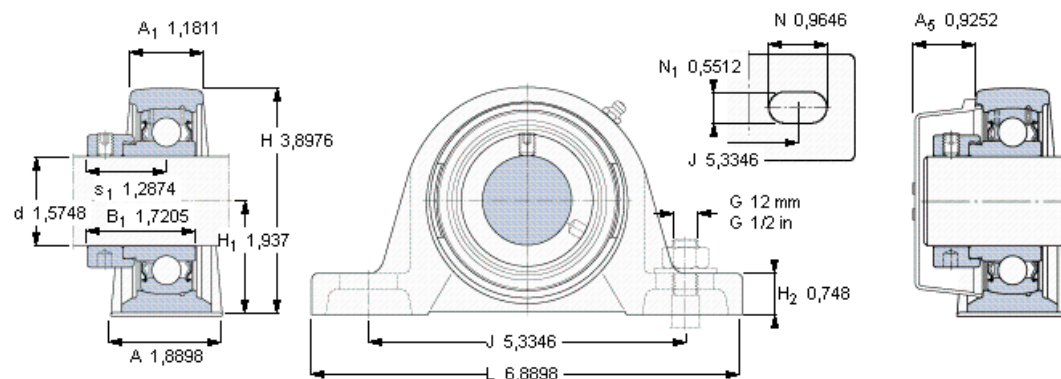


Y-bearing plummer block units, cast housing, eccentric locking collar, metric bearings

Dimensions					Basic load ratings		Limiting speed with shaft tolerance h6	Mass	Designations		
d	A	H	H ₁	L	dynamic	static			Bearing unit	Housing	Bearing
in					C	C ₀	r/min	lb	-		
1,5748	1,8898	3,8976	1,937	6,8898	6900	4270	4800	4,08	SY 40 FM	SY 508 M	YET 208



Grub screw

Recommended tightening torque [Nm]

Hexagonal key size [mm]

M 10×1

16,5

5

End cover

ECY 208