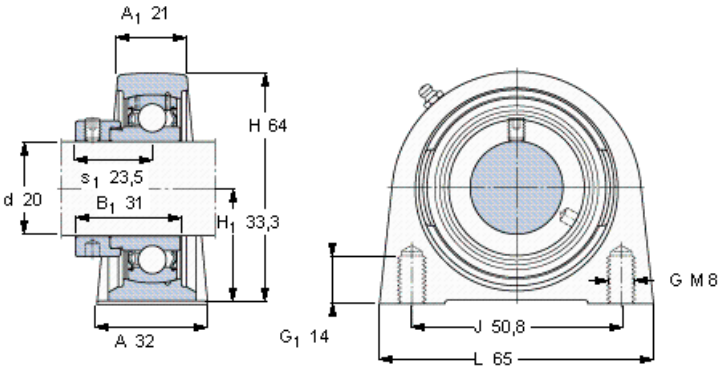


Y-bearing plummer block units, short base cast housing, eccentric locking collar

Dimensions					Basic load ratings		Limiting speed with shaft tolerance h6	Mass	Designations		
d	A	H	H <sub>1</sub>	L	dynamic	static			Bearing unit	Housing	Bearing
mm					C	C <sub>0</sub>	r/min	kg	-		
20	32	64	33,3	65	12,7	6,55	8500	0,45	SYF 20 FM	SYF 504	YET 204



**Grub screw** M 6×0.75  
 Recommended tightening torque [Nm] 4  
 Hexagonal key size [mm] 3