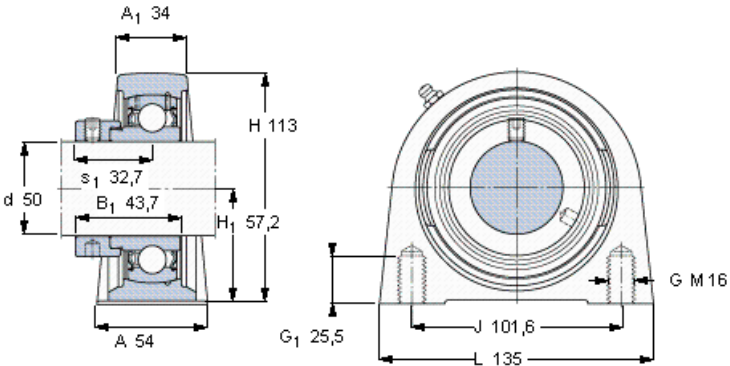


Y-bearing plummer block units, short base cast housing, eccentric locking collar

Dimensions					Basic load ratings		Limiting speed with shaft tolerance h6	Mass	Designations		
d	A	H	H ₁	L	dynamic	static			Bearing unit	Housing	Bearing
mm					C	C ₀	r/min	kg	-		
50	54	113	57,2	135	35,1	23,2	4000	2,25	SYF 50 FM	SYF 510	YET 210



Grub screw M 10×1
 Recommended tightening torque [Nm] 16,5
 Hexagonal key size [mm] 5