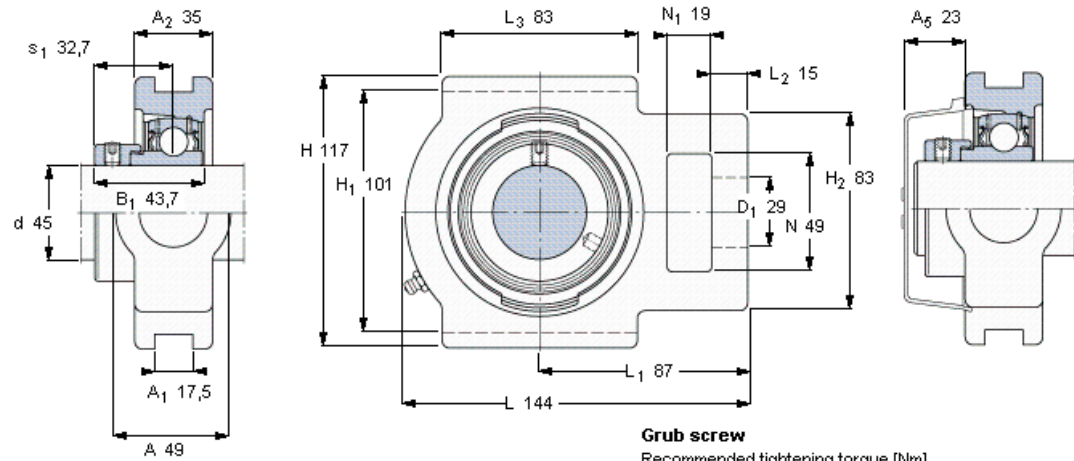


Y-bearing take-up units, cast housing, eccentric locking collar, metric bearings



Dimensions					Basic load ratings		Limiting speed with shaft tolerance h6	Mass	Designations		
d	A	H	H ₁	L	dynamic	static			Bearing unit	Housing	Bearing
mm					C	C ₀	r/min	kg	-		
45	49	117	101	144	33,2	21,6	4300	2,35	TU 45 FM	TU 509 M	YET 209



Grub screw

Recommended tightening torque [Nm]
Hexagonal key size [mm]

M 10×1

16,5

5

End cover

ECY 209