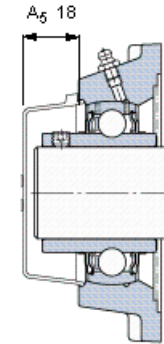
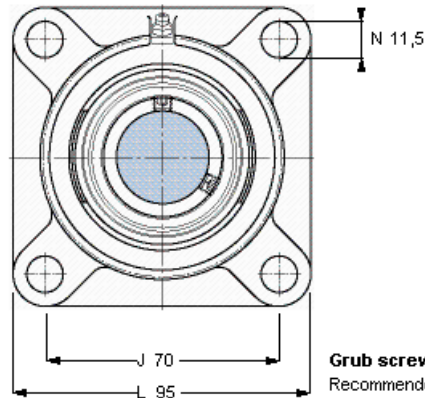
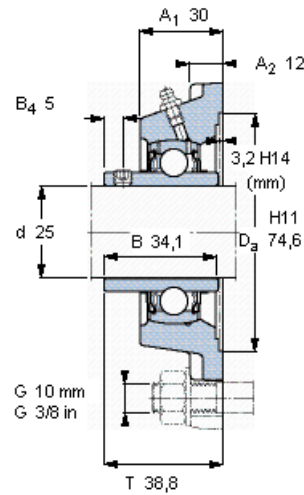


Y-bearing flanged units, cast housing, square flange, grub screw locking, metric bearings



| Dimensions | | | | | Basic load ratings | | Limiting speed with shaft tolerance h6 | Mass | Designations | | |
|------------|----------------|----|----|------|--------------------|----------------|--|------|--------------|----------|------------|
| d | A ₁ | J | L | T | dynamic | static | | | Bearing unit | Housing | Bearing |
| mm | | | | | C | C ₀ | r/min | kg | - | | |
| 25 | 30 | 70 | 95 | 38,8 | 14 | 7,8 | 7000 | 0,77 | FY 25 TF | FY 505 M | YAR 205-2F |



Grub screw
Recommended tightening torque [Nm]
Hexagonal key size [mm]

End cover

M 6×0.75
4
3
ECY 205