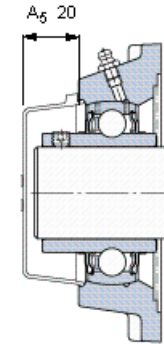
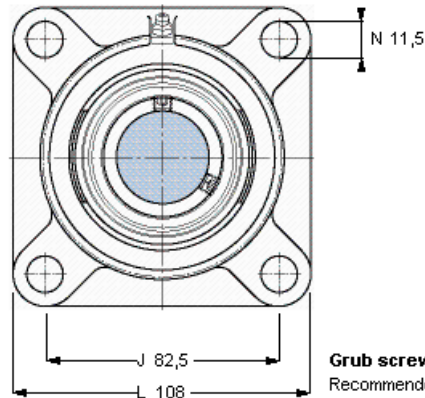
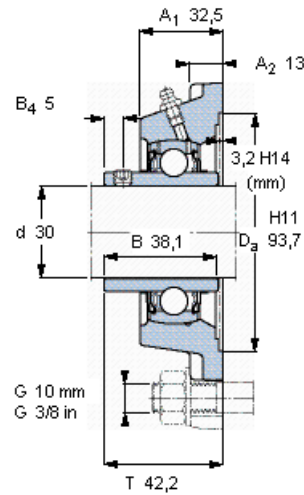


Y-bearing flanged units, cast housing, square flange, grub screw locking, metric bearings



Dimensions					Basic load ratings		Limiting speed with shaft tolerance h6	Mass	Designations		
d	A ₁	J	L	T	C	C ₀			Bearing unit	Housing	Bearing
mm					kN		r/min	kg	-		
30	32,5	82,5	108	42,2	19,5	11,2	6300	1,1	FY 30 TF	FY 506 M	YAR 206-2F



Grub screw
Recommended tightening torque [Nm]
Hexagonal key size [mm]

End cover

M 6×0.75
4
3
ECY 206