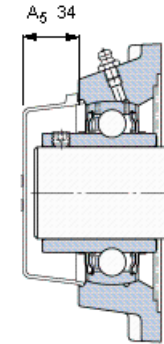
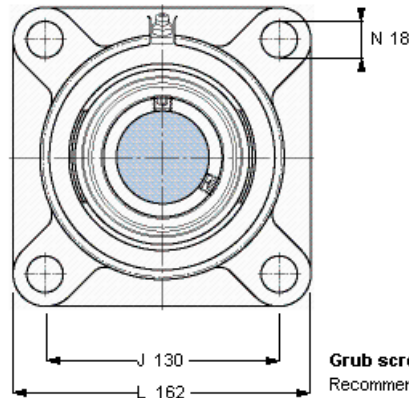
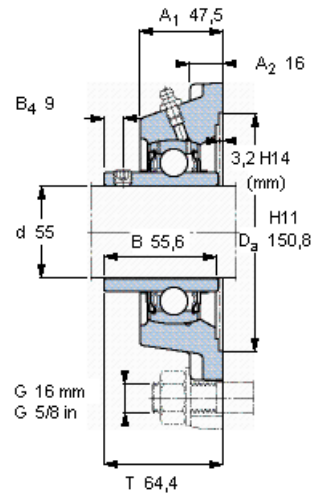


Y-bearing flanged units, cast housing, square flange, grub screw locking, metric bearings



Dimensions					Basic load ratings		Limiting speed with shaft tolerance h6	Mass	Designations		
d	A ₁	J	L	T	dynamic	static			Bearing unit	Housing	Bearing
mm					C	C ₀	r/min	kg	-		
55	47,5	130	162	64,4	43,6	29	3600	3,6	FY 55 TF	FY 511 M	YAR 211-2F



Grub screw
Recommended tightening torque [Nm]
Hexagonal key size [mm]

End cover

M 10×1
16,5
5
ECY 211