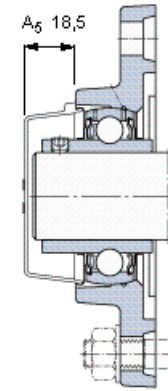
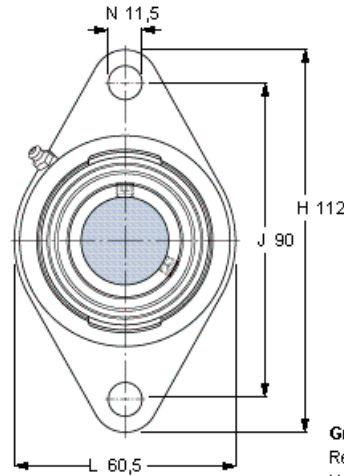
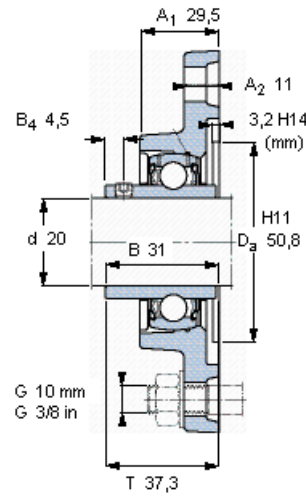


Y-bearing flanged units, cast housing, oval flange, grub screw locking, metric bearings



Dimensions					Basic load ratings		Limiting speed with shaft tolerance h6	Mass	Designations		
d	A ₁	J	L	T	dynamic	static			Bearing unit	Housing	Bearing
mm					C	C ₀	r/min	kg	-		
20	29,5	90	60,5	37,3	12,7	6,55	8500	0,50	FYTB 20 TF	FYTB 504 M	YAR 204-2F



Grub screw

Recommended tightening torque [Nm]
Hexagonal key size [mm]

End cover

M 6×0.75
4
3
ECY 204