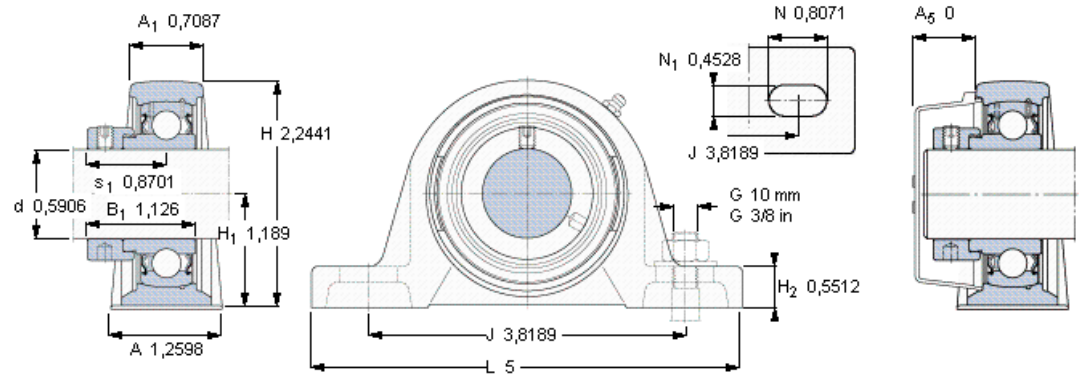


Y-bearing plummer block units, cast housing, eccentric locking collar, metric bearings

Dimensions					Basic load ratings		Limiting speed with shaft tolerance h6	Mass	Designations		
d	A	H	H <sub>1</sub>	L	dynamic	static			Bearing unit	Housing	Bearing
in					lbf		r/min	lb	-		
0,5906	1,2598	2,2441	1,189	5	2150	1070	9500	1,17	SY 15 FM	SY 503 M	YET 203/15



<b>Grub screw</b>	M 6×0.75
Recommended tightening torque [Nm]	4
Hexagonal key size [mm]	3
<b>End cover</b>	-