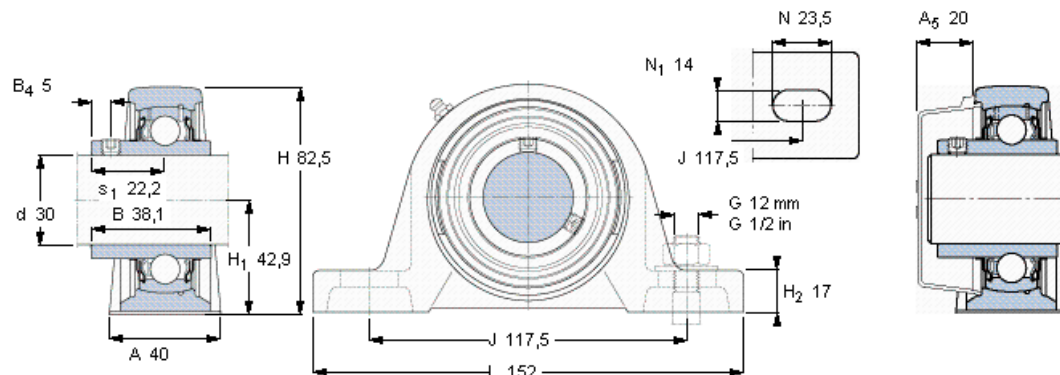


Y-bearing plummer block units, cast housing, grub screw locking, metric bearings

Dimensions					Basic load ratings		Limiting speed with shaft tolerance h6	Mass	Designations		
d	A	H	H ₁	L	dynamic	static			Bearing unit	Housing	Bearing
mm					C	C ₀	r/min	kg	-		
30	40	82,5	42,9	152	19,5	11,2	6300	1,1	SY 30 TF	SY 506 M	YAR 206-2F



Grub screw

Recommended tightening torque [Nm]

Hexagonal key size [mm]

End cover

M 6×0.75

4

3

ECY 206