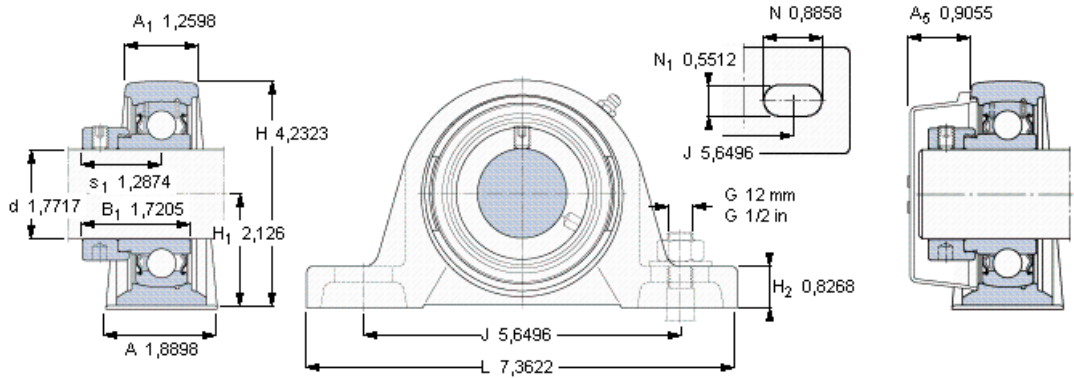


Y-bearing plummer block units, cast housing, eccentric locking collar, metric bearings

Dimensions					Basic load ratings		Limiting speed with shaft tolerance h6	Mass	Designations		
d	A	H	H <sub>1</sub>	L	C	C <sub>0</sub>			Bearing unit	Housing	Bearing
in					lbf		r/min	lb	-		
1,7717	1,8898	4,2323	2,126	7,3622	7460	4860	4300	4,96	SY 45 FM	SY 509 M	YET 209



**Grub screw** M 10×1  
 Recommended tightening torque [Nm] 16,5  
 Hexagonal key size [mm] 5

**End cover** ECY 209