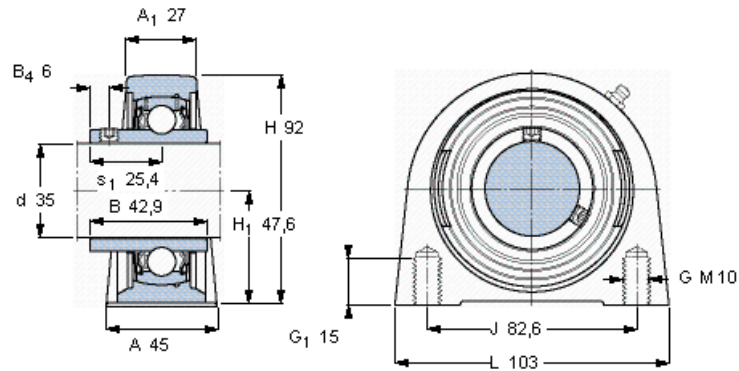


Y-bearing plummer block units, short base cast housing, grub screw locking



Dimensions					Basic load ratings		Limiting speed with shaft tolerance h6	Mass	Designations		
d	A	H	H ₁	L	dynamic C	static C ₀			Bearing unit	Housing	Bearing
mm					kN		r/min	kg	-		
35	45	92	47,6	103	25,5	15,3	5300	1,2	SYF 35 TF	SYF 507	YAR 207-2F



Grub screw

Recommended tightening torque [Nm]
Hexagonal key size [mm]

M 6×0.75
4
3