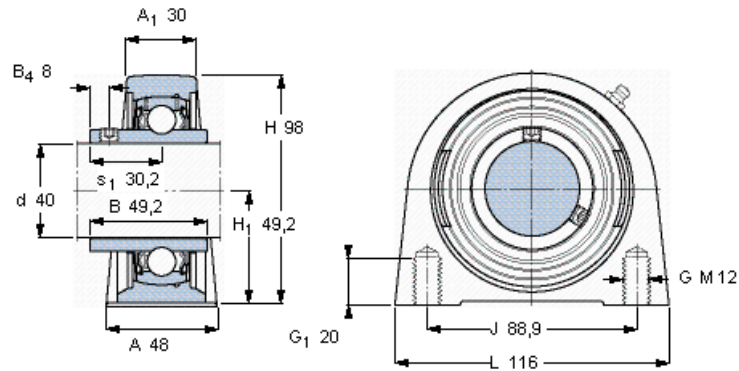


Y-bearing plummer block units, short base cast housing, grub screw locking



Dimensions					Basic load ratings		Limiting speed with shaft tolerance h6	Mass	Designations		
d	A	H	H ₁	L	dynamic	static			Bearing unit	Housing	Bearing
mm					C	C ₀	r/min	kg	-		
40	48	98	49,2	116	30,7	19	4800	1,5	SYF 40 TF	SYF 508	YAR 208-2F



Grub screw

Recommended tightening torque [Nm]
Hexagonal key size [mm]

M 8×1
6,5
4