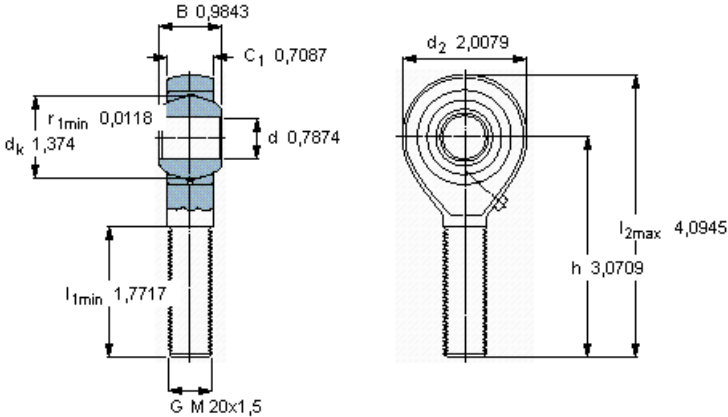


Rod ends requiring maintenance, steel-on-bronze, male thread

Principal dimensions						Angle of tilt ±	Basic load ratings		Mass	Designation
d	d ₂ max	B	G 6g	C ₁ max	h		dynamic C	static C ₀		
in						degrees	lbf		lb	-
0,7874	2,0079	0,9843	M 20x1,5	0,7087	3,0709	14	6520	6520	0,816	SAKAC 20 M



Specific load factor
K 50
Material constant
K_M 330