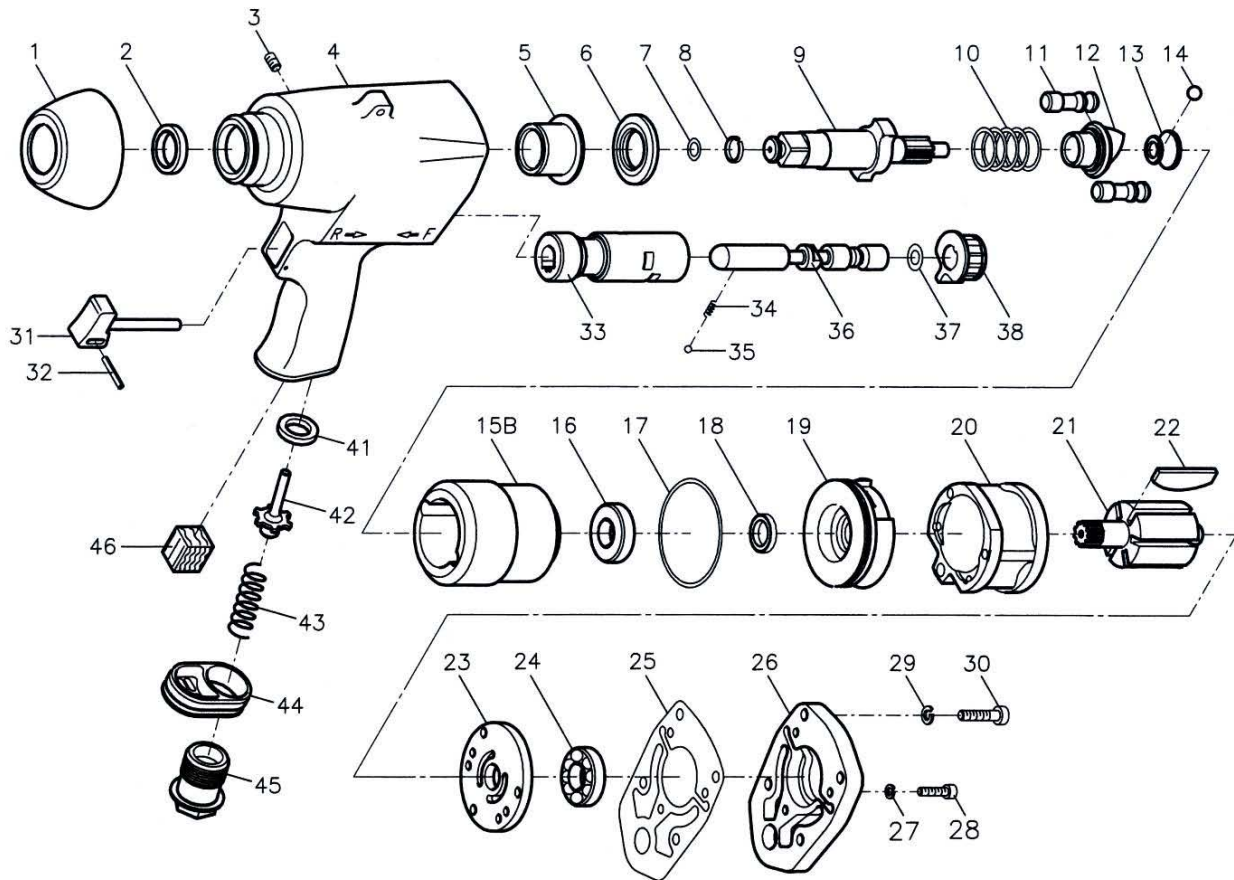


# 1/2" PROFESSIONAL AIR IMPACT WRENCH



Index No.	Part No.	Description	Q'ty	Index No.	Part No.	Description	Q'ty
1	306-020	Front Rubber	1	23	302-009	Rear End Plate	1
2	00-4203	Oil Seal	1	24	00-2318	Ball Bearing	1
3	00-0601	Set Screw	1	25	306-019-B	Gasket	1
4	306-001-C	Motor Housing	1	26	306-003	Rear Cover	1
5	302-010	Anvil Bushing	1	27	00-1805	Spring Washer	3
6	302-033	Spacer	1	28	00-0105	Cap Screw	3
7	00-4103	O-Ring	1	29	00-1806	Spring Washer	4
8	250-033	Anvil Collar	1	30	00-0104	Cap Screw	4
9	302-011NA4	Anvil	1	31	306-025	Trigger	1
	302-011NB4	2" Anvil	1	32	00-3326	Spring Pin	1
10	300-018	Spring	1	33	306-022	Valve Sleeve	1
11	306-016	Hammer Pin	2	34	306-031	Spring	1
12	302-013	Cam	1	35	00-3802	Steel Ball	1
13	302-014	Cam Foundation	1	36	306-023	Reverse Valve	1
14	00-3807	Steel Ball	1	37	00-4145	O-Ring	1
15B	308-012	Hammer Cage	1	38	306-021	Reverse Valve Knob	1
	302-012	Hammer Cage	1	41	306-021-B	Bushing	1
16	00-2317	Ball Bearing	1	42	306-026	Valve Stem	1
17	00-4120	O-Ring	1	43	306-028-B	Spring	1
18	00-4204	Oil Seal	1	44	306-030	Exhaust Deflector	1
19	302-005	Front End Plate	1	45	306-029A-C	Air Inlet (1/4" PF)	1
20	306-006	Cylinder	1		306-029B-C	Air Inlet (1/4" PT)	1
21	302-007	Rotor	1		306-029C-C	Air Inlet (1/4" NPT)	1
22	302-008	Rotor Blade	6	46	306-035	Muffler	1