








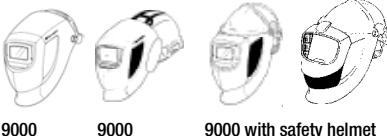


3M™ Speedglas™ Welding Shields

— Product Overview

The Speedglas auto-darkening welding filter was one of the first of its type on the market, bringing a new standard to eye protection and comfort for welders.

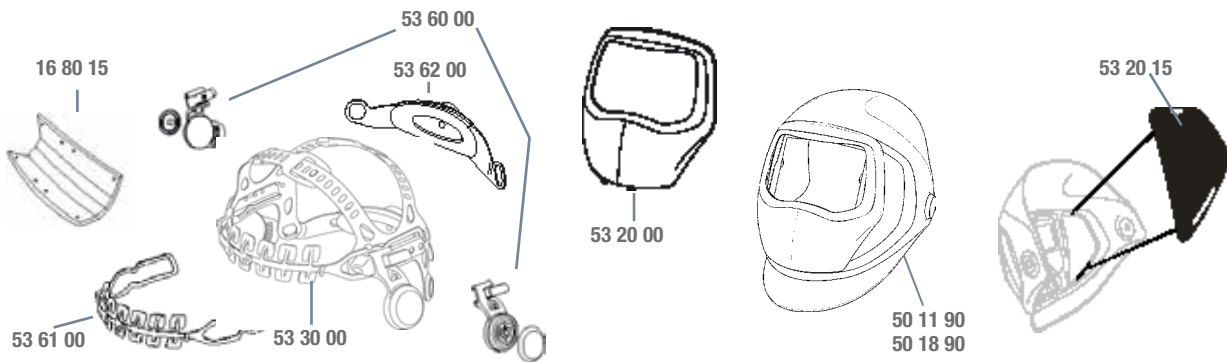
Today, there is a great family of Speedglas welding shields, each model with its specific series of welding filters:

Welding Shields	Auto-Darkening Welding Filters	Accessories
<p>P.40 P.51</p>  <p>3M™ Speedglas™ 9100 Welding Shield 3M™ Speedglas™ 9100 Air Welding Shield</p>	 <p>9100V 9100X 9100XX</p> <p>3M™ Speedglas™ 9100 Series Welding Filters</p>	<p>Every welder is different, and each day a welder's tasks can change. As owner of a Speedglas welding helmet, you have a variety of accessories available to maximize your protection and comfort.</p> <p>The following pages list virtually all of the Speedglas replacement parts and available accessories.</p>
<p>P.41 P.52</p>  <p>3M™ Speedglas™ 9100 FX Welding Shield 3M™ Speedglas™ 9100 FX Air Welding Shield</p>	 <p>3M™ Speedglas™ SL Welding Filter</p>	
<p>P.44</p>  <p>3M™ Speedglas™ SL Welding Shield</p>	 <p>100-10 100-11 100V</p> <p>3M™ Speedglas™ 100 Series Welding Filters</p>	
<p>P.43</p>  <p>3M™ Speedglas™ 100 Welding Shield</p>	 <p>9002D 9002V 9002X</p> <p>3M™ Speedglas™ 9002 Series Welding Filters</p>	
<p>P.45 P.46 P.54</p>  <p>9000 9000 ProTop 9000 with safety helmet for respirators</p> <p>3M™ Speedglas™ 9000 Series Welding Shields</p> <p>Speedglas 9100, 9100 Air, 9100 FX and 9100 FX Air Welding Shields replaces the Speedglas 9000 and 9000 FlexView Welding Shields. Accessories and spare parts for 9000 series available for 3-5 years.</p>		

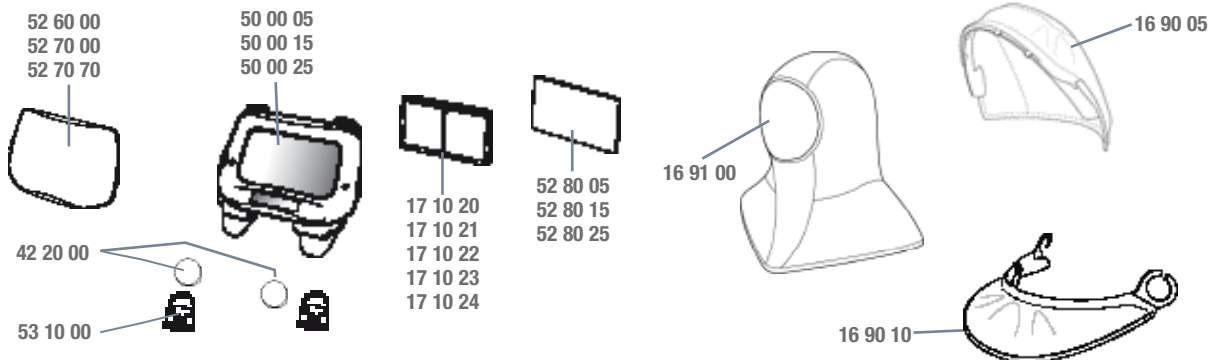
3M™ Speedglas™ 9100 Welding Shield



Part No	Description	Part No	Description	Part No	Description
50 11 05	Speedglas 9100 Welding Shield without SideWindows, with 9100V Filter.	50 11 25	Speedglas 9100 Welding Shield without SideWindows, with 9100XX Filter.	50 18 15	Speedglas 9100 Welding Shield with SideWindows and 9100X Filter.
50 11 15	Speedglas 9100 Welding Shield without SideWindows, with 9100X Filter.	50 18 05	Speedglas 9100 Welding Shield with SideWindows and 9100V Filter.	50 18 25	Speedglas 9100 Welding Shield with SideWindows and 9100XX Filter.



50 11 00 / 50 18 00



Accessories and spare parts

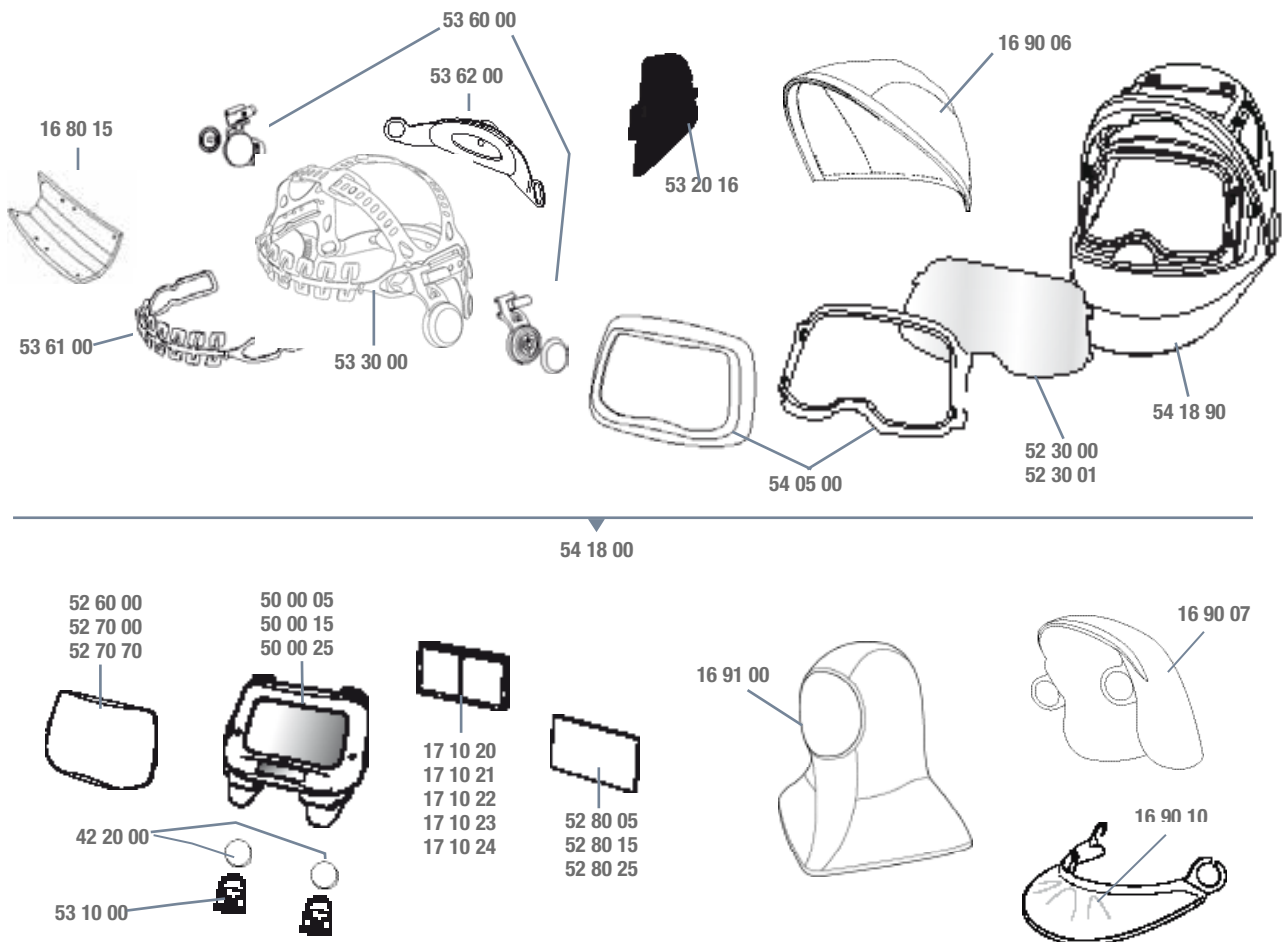
Part No	Description	Part No	Description	Part No	Description
16 80 15	Comfort sweatband, pkg of 3.	50 11 00	9100 Welding Shield without SideWindows, with headband.	52 80 15	Inner cover plate for 9100X Filter, pkg of 5. Plate marking 117x61.
16 90 05	Head protection, black.	50 11 90	9100 Welding Shield without SideWindows, without headband.	52 80 25	Inner cover plate for 9100XX Filter, pkg of 5. Plate marking 117x77.
16 90 10	Neck protection, black.	50 18 00	9100 Welding Shield with SideWindows and headband.	53 10 00	Battery holder, pkg of 2.
16 91 00	Hood, black/grey.	50 18 90*	9100 Welding Shield with SideWindows, without headband.	53 20 00	Heat-reflecting silver front.
17 10 20	Magnifying lens 1.0.	52 60 00	Outer protection plate standard, pkg of 10.	53 20 15*	SideWindows cover plate, 2 pairs.
17 10 21	Magnifying lens 1.5.	52 70 00	Outer protection plate extra scratch resistant, pkg of 10.	53 30 00	Speedglas 9100 headband with assembly parts.
17 10 22	Magnifying lens 2.0.	52 70 70	Outer protection plate heat resistant pkg of 10.	53 60 00	Pivot mechanism, left and right.
17 10 23	Magnifying lens 2.5.	52 80 05	Inner cover plate for 9100V Filter, pkg of 5. Plate marking 117x50.	53 61 00	Headband front part.
17 10 24	Magnifying lens 3.0.			53 62 00	Headband back part.
42 20 00	Battery, pkg of 2.				
50 00 05	Speedglas 9100V Welding Filter, variable shade 5, 8, 9-13.				
50 00 15	Speedglas 9100X Welding Filter, variable shade 5, 8, 9-13.				
50 00 25	Speedglas 9100XX Welding Filter, variable shade 5, 8, 9-13.				

* Please use Part No 50 18 90 when ordering replacement SideWindows.

3M™ Speedglas™ 9100 FX Welding Shield



Part No	Description	Part No	Description	Part No	Description
54 18 05	Speedglas 9100 FX Welding Shield with SideWindows and 9100V Filter.	54 18 15	Speedglas 9100 FX Welding Shield with SideWindows and 9100X Filter.	54 18 25	Speedglas 9100 FX Welding Shield with SideWindows and 9100XX Filter.



Accessories and spare parts

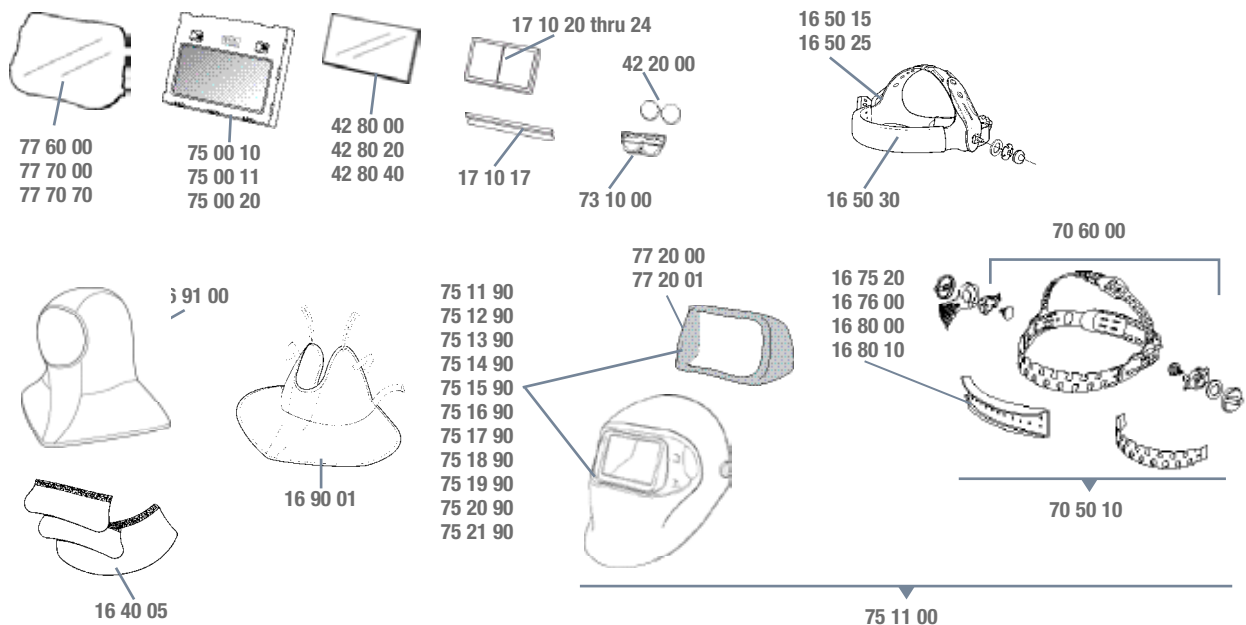
Part No	Description	Part No	Description	Part No	Description
16 80 15	Comfort sweatband, pkg of 3.	52 30 00	Visor plate standard, pkg of 5.	53 30 00	Speedglas 9100 Series Headband, with assembly parts.
16 90 06	Head protection (small).	52 30 01	Visor plate anti-fog, pkg of 5.	53 60 00	Pivot mechanism, left and right.
16 90 07	Neck protection (large).	52 60 00	Outer protection plate, standard, pkg of 10.	53 61 00	Headband front part.
16 91 00	Hood, black/grey.	52 70 00	Outer protection plate, extra scratch resistant, pkg of 10.	53 62 00	Headband back part.
17 10 20	Magnifying lens 1.0.	52 70 70	Outer protection plate, heat resistant pkg of 10.	54 18 00	Speedglas 9100 FX shield, without welding filter, with headband.
17 10 21	Magnifying lens 1.5.	52 80 05	Inner cover plate for 9100V Filter, pkg of 5. Plate marking 117x50.	54 18 90	Speedglas 9100 FX shield, without welding filter, without headband.
17 10 22	Magnifying lens 2.0.	52 80 15	Inner cover plate for 9100X Filter, pkg of 5. Plate marking 117x61.	54 05 00	Front cover kit.
17 10 23	Magnifying lens 2.5.	52 80 25	Inner cover plate for 9100XX Filter, pkg of 5. Plate marking 117x77.		
17 10 24	Magnifying lens 3.0.	53 10 00	Battery holder, pkg of 2.		
42 20 00	Battery, pkg of 2.	53 20 16	SideWindows cover plate, 2 pairs.		
50 00 05	Speedglas 9100V Welding Filter, variable shade 5, 8, 9-13.				
50 00 15	Speedglas 9100X Welding Filter, variable shade 5, 8, 9-13.				
50 00 25	Speedglas 9100XX Welding Filter, variable shade 5, 8, 9-13.				

3M™ Speedglas™ 100 Series Welding Shields



75 13 20

Part No	Description	Part No	Description	Part No	Description
75 11 10	Speedglas 100 Welding Shield Black with 100S-10 Filter.	75 14 20	Speedglas 100 Welding Shield Chrome with 100V Filter.	75 19 20	Speedglas 100 Welding Shield Skull Jewels with 100V Filter.
75 11 11	Speedglas 100 Welding Shield Black with 100S-11 Filter.	75 15 20	Speedglas 100 Welding Shield Mechanical skull with 100V Filter.	75 20 20	Speedglas 100 Welding Shield Wild 'n' Pink with 100V Filter.
75 11 20	Speedglas 100 Welding Shield Black with 100V Filter.	75 16 20	Speedglas 100 Welding Shield Trojan Warrior with 100V Filter.	75 21 20	Speedglas 100 Welding Shield Steel Eyes with 100V Filter.
75 12 20	Speedglas 100 Welding Shield Blaze, with 100V Filter.	75 17 20	Speedglas 100 Welding Shield Aces high with 100V Filter.		
75 13 20	Speedglas 100 Welding Shield Tribal with 100V Filter.	75 18 20	Speedglas 100 Welding Shield Steel Rose with 100V Filter.		See page 19 for additional photos of the graphic welding shields.



Accessories and spare parts

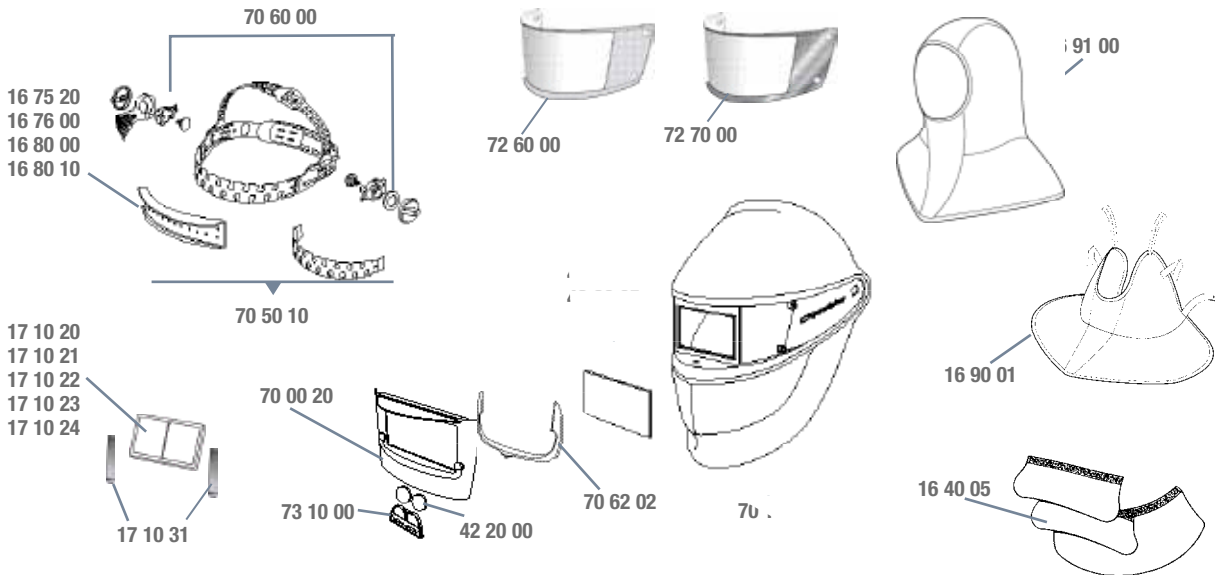
Part No	Description	Part No	Description	Part No	Description
16 40 05	Ear and neck protection in leather.	70 50 10	Comfort Headband with assembly parts.	75 16 90	Welding shield Trojan Warrior, without welding filter, without headband.
16 50 15	Headband with assembly parts.	70 60 00	Assembly parts for headband.	75 17 90	Welding shield Aces High, without welding filter, without headband.
16 50 25	Headband 1 UL with assembly parts.	73 10 00	Battery cover.	75 18 90	Welding shield Steel Rose, without welding filter, without headband.
16 60 30	Assembly parts for headband.	75 00 10	Speedglas 100S-10 Welding Filter, single shade 10.	75 19 90	Welding shield Skull Jewels, without welding filter, without headband.
16 75 20	Sweatband, towelling purple, pkg of 2.	75 00 11	Speedglas 100S-11 Welding Filter, single shade 11.	75 20 90	Welding shield Wild n' Pink, without welding filter, without headband.
16 76 00	Sweatband, towelling purple, pkg of 20.	75 00 20	Speedglas 100V Welding Filter, variable shade 8-12.	75 21 90	Welding shield Steel Eyes, without welding filter, without headband.
16 80 00	Sweatband, leather.	75 11 00	Welding shield black, without welding filter with headband.	77 20 00	Front frame, silver.
16 80 10	Sweatband, fleecy cotton.	75 11 90	Welding shield black, without welding filter, without headband.	77 20 01	Front frame, black.
16 90 01	Neck protection, black/grey.	75 12 90	Welding shield Blaze, without welding filter, without headband.	77 60 00	Outer protection plate, standard, pkg of 10.
16 91 00	Hood black/grey	75 13 90	Welding shield Tribal, without welding filter, without headband.	77 70 00	Outer protection plate, scratch resistant, pkg of 10.
17 10 17	Holder for magnifier.	75 14 90	Welding shield Chrome, without welding filter, without headband.	77 70 70	Outer protection plate, heat resistant, pkg of 10.
17 10 20	Magnifying lens 1.0.	75 15 90	Welding shield Mechanical skull, without welding filter, without headband.		
17 10 21	Magnifying lens 1.5.				
17 10 22	Magnifying lens 2.0.				
17 10 23	Magnifying lens 2.5.				
17 10 24	Magnifying lens 3.0.				
42 20 00	Battery, pkg of 2.				
42 80 00	Inner cover plate, pkg of 5.				
	Plate marking 42 02 00.				
42 80 20	Inner cover plate, +1 shade, pkg of 5.				
42 80 40	Inner cover plate, +2 shade, pkg of 5.				

3M™ Speedglas™ SL Welding Shield



70 11 20

Part No	Description	Part No	Description	Part No	Description
16 40 05	Ear and neck protection in leather (3 parts).	17 10 24	Magnifying lens 3.0.	70 62 02	Filter locking frame, pkg of 2.
16 75 20	Sweatband, towelling, purple, pkg of 2.	17 10 31	Holder for magnifier.	72 60 00	Outer protection plate, standard, pkg of 5. Plate marking 030226.
16 76 00	Sweatband, towelling, pkg of 20.	42 20 00	Battery, pkg of 2.	72 70 00	Outer protection plate, scratch resistant, pkg of 5. Plate marking 030248.
16 80 00	Sweatband, leather.	42 80 00	Inner cover plate (42 x 91 mm), pkg of 5. Plate marking 42 02 00.	73 10 00	Battery cover.
16 80 10	Sweatband, fleecy cotton.	42 80 05	42 80 00, pkg Of 200.		
16 90 01	Neck protection black/grey.	70 00 20	Speedglas SL Welding Filter, variable shade 8-12.		
16 91 00	Hood black/grey.	70 11 20	Speedglas SL Welding Shield. with welding filter, variable shade 8-12.		
17 10 20	Magnifying lens 1.0.	70 11 90	Welding shield, without headband.		
17 10 21	Magnifying lens 1.5.	70 50 10	Headband with assembly parts.		
17 10 22	Magnifying lens 2.0.	70 60 00	Assembly parts for headband.		
17 10 23	Magnifying lens 2.5.				

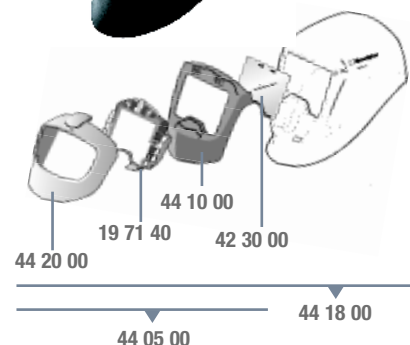


3M™ Speedglas™ 9000 FlexView Welding Shield



Spare parts*

Part No	Description	Part No	Description
19 71 40	Holder for welding filter.	44 18 00	Speedglas 9000 FlexView Welding Shield with SideWindows, without welding filter.
19 71 41	Locking wedge kit (holder welding filter).	44 20 00	Heatreflecting front, silver.
42 30 00	Protective visor plate, pkg of 10.		
44 05 00	Speedglas FlexView Conversion Kit.		
44 10 00	Middle shield, black.		



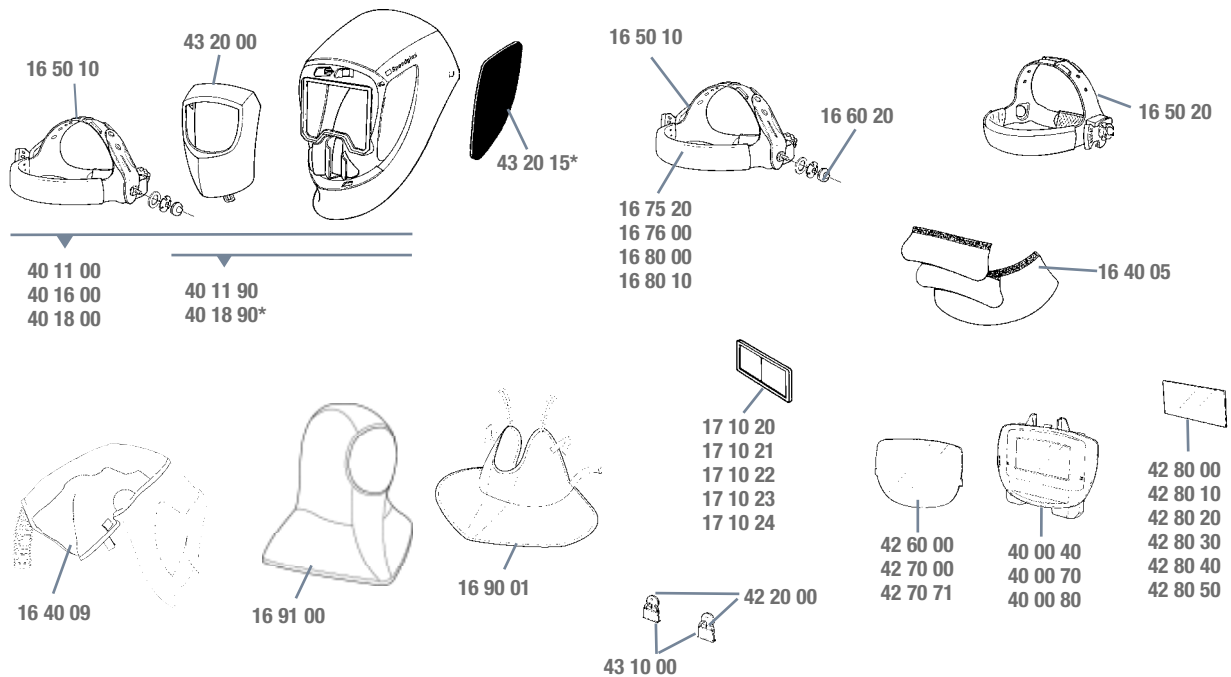
3M™ Speedglas™ 9000 / Utility Welding Shields



Accessories and spare parts**

Part No	Description	Part No	Description	Part No	Description
16 40 05	Ear and neck protection in leather.	40 11 40	9000 Welding Shield, without SideWindows, with 9002D Filter and headband.	42 70 71	Outer protection plate, heat resistant, pkg of 10. Plate marking 42 01 70.
16 40 09	Head protection, black/grey.	40 11 90	9000 Welding Shield, without SideWindows, without headband, without filter.	42 80 00	Inner cover plate (42x91 mm) for 9002D/9002V Filters, pkg of 5. Plate marking 42 02 00.
16 50 10	Headband with assembly parts.	40 16 00	9000 Welding Shield, with headband 1 UL, with SideWindows, without filter.	42 80 10	Inner cover plate (53x103 mm) for 9002X/9000XF Filters, pkg of 5. Plate marking 42 02 10.
16 50 20	Headband 1 UL with assembly parts.	40 18 00	9000 Welding Shield, with SideWindows, with headband, without filter.	42 80 20	Inner cover plate, +1 Shade for 9002D/9002V Filters, pkg of 5.
16 60 20	Assembly parts for headband.	40 18 40	9000 Welding Shield with SideWindows, with Speedglas 9002D Filter, dual shade 9/11.	42 80 30	Inner cover plate, +1 Shade for 9002X/9000XF Filters, pkg of 5.
16 75 20	Sweatband towelling, pkg of 2.	40 18 90*	9000 Welding Shield with SideWindows, without headband, without filter.	42 80 40	Inner cover plate, +2 Shade for 9002D/9002V Filters, pkg of 5.
16 76 00	Sweatband towelling, pkg of 20.	42 20 00	Battery, pkg of 2.	42 80 50	Inner cover plate, +2 Shade for 9002X/9000XF Filters, pkg of 5.
16 80 00	Sweatband, leather.	42 60 00	Outer protection plate, standard, pkg of 10. Plate marking 42 01 50.	43 10 00	Battery cover, pkg of 2.
16 80 10	Sweatband, fleecy cotton, pkg of 2.	42 70 00	Outer protection plate, scratch resistant, pkg of 10. Plate marking 42 01 00.	43 20 00	Heat-reflecting front, silver.
16 90 01	Neck protection, black/grey.			43 20 15*	SideWindows cover plate (sticker), 5 pairs.
16 91 00	Hood black/grey.				
17 10 15	Holder for magnifying lens				
17 10 20	Magnifying lens 1.0.				
17 10 21	Magnifying lens 1.5.				
17 10 22	Magnifying lens 2.0.				
17 10 23	Magnifying lens 2.5.				
17 10 24	Magnifying lens 3.0.				
40 00 40	Speedglas 9002D Welding Filter.				
40 00 70	Speedglas 9002V Welding Filter,.				
40 00 80	Speedglas 9002X Welding Filter.				
40 11 00	9000 Welding Shield, without SideWindows, without filter, with headband.				

* Please use Part No 40 18 90 when new SideWindows are required.



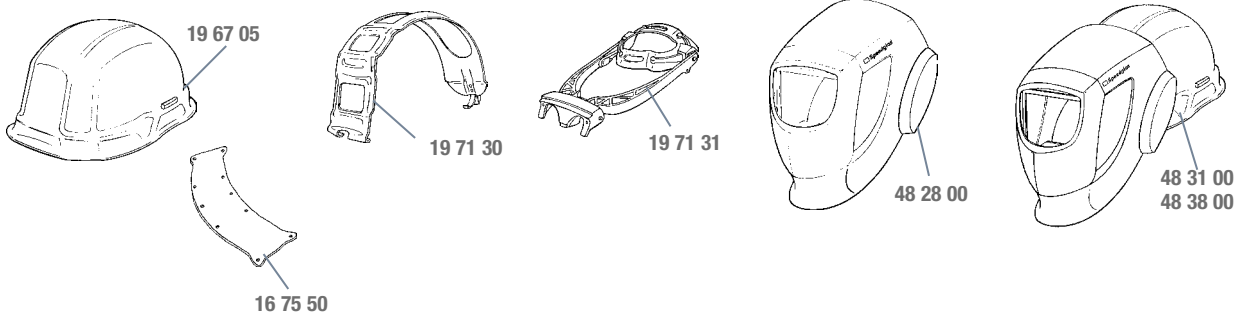
** Speedglas 9100, 9100 Air, 9100 FX and 9100 FX Air Welding Shields replaces the Speedglas 9000 and 9000 FlexView Welding Shields. Accessories and spare parts will remain for 3–5 years.

3M™ Speedglas™ 9000 ProTop Welding Shield with Safety Helmet



48 38 70
48 38 80

Part No	Description	Part No	Description
16 75 50	Sweatband, pkg of 2.	48 31 00	ProTop Welding Shield without SideWindows, without welding filter.
19 67 05	Safety helmet, white – other colours upon request.	48 38 00	ProTop Welding Shield with SideWindows, without welding filter.
19 71 30	Safety helmet assembly parts.	48 38 70	ProTop Welding Shield with SideWindows and 9002V Filter.
19 71 31	Welding shield mechanism parts.	48 38 80	ProTop Welding Shield with SideWindows and 9002X Filter.
48 28 00	ProTop Welding Shield, with SideWindows, without safety helmet, without welding filter.		



Safety Helmet Options for 3M™ Speedglas™ 9100 / 100 / SL Welding Shields

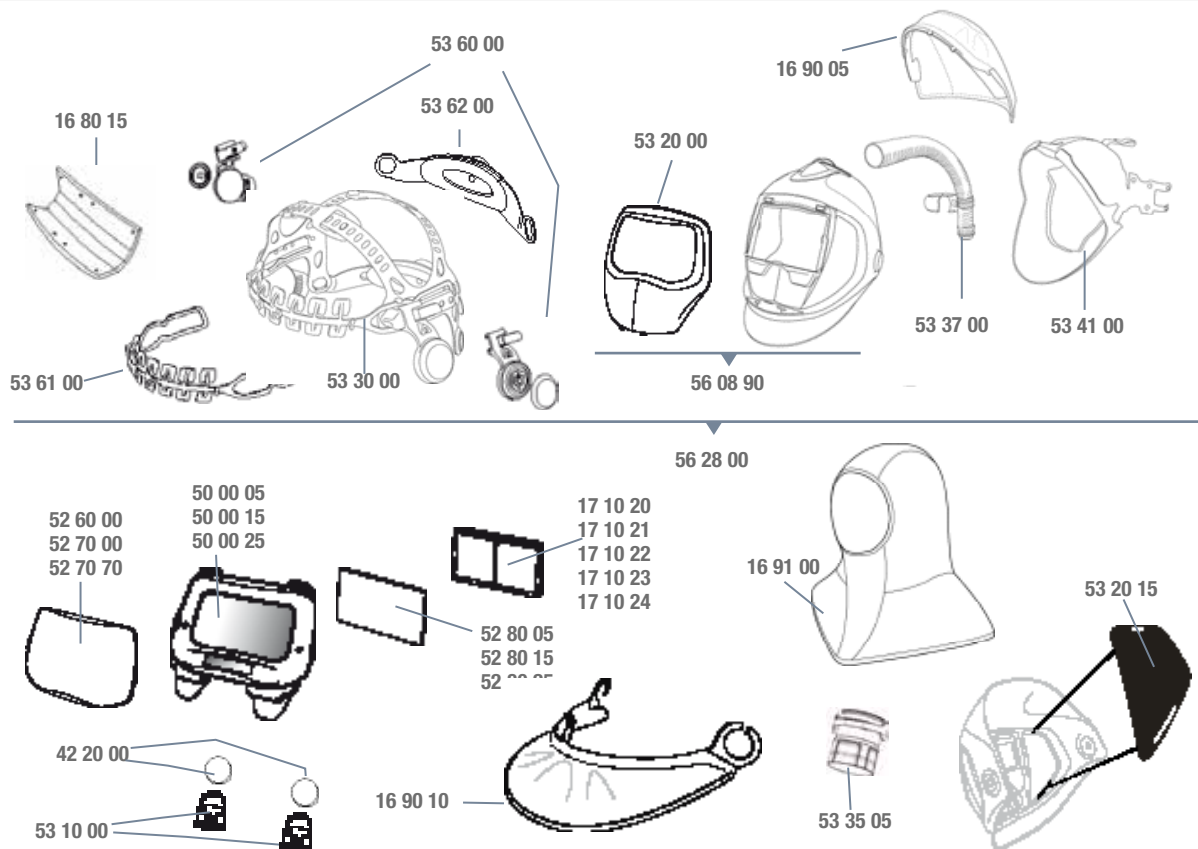


Part No	Description	Part No	Description	Part No	Description
19 71 34	Speedyloop for Speedglas 100 and Speedglas SL welding shields with safety helmet assembly parts.	58 38 15	Speedglas 9100 Welding Shield with 3M Peltor G3001 Safety Helmet, with 9100X Welding Filter.	78 33 20	Speedglas SL Welding Shield with 3M Peltor G3001 Safety Helmet, with SL Welding Filter.
19 71 35	Speedyloop for Speedglas 9100 welding shield with safety helmet assembly parts.	58 38 25	Speedglas 9100 Welding Shield with 3M Peltor G3001 Safety Helmet, with 9100XX Welding Filter.	G3001NUV-VI	3M Peltor G3001 Safety Helmet
58 38 05	Speedglas 9100 Welding Shield with 3M Peltor G3001 Safety Helmet, with 9100V Welding Filter.	78 31 20	Speedglas 100 Welding Shield with 3M Peltor G3001 Safety Helmet, with 100V Welding Filter.		

3M™ Speedglas™ 9100 Air Welding Shield for Respiratory Protection



Part No	Description	Part No	Description	Part No	Description
56 66 00	Speedglas 9100 Air Welding Shield without welding filter, with Adflo Respirator.	56 66 25	Speedglas 9100 Air Welding Shield with 9100XX Filter, with Adflo Respirator.	56 88 15	Speedglas 9100 Air Welding Shield with 9100XX Filter, with Fresh-air C Regulator.
56 66 05	Speedglas 9100 Air Welding Shield with 9100V Filter, with Adflo Respirator.	56 88 00	Speedglas 9100 Air Welding Shield without welding filter, with Fresh-air C Regulator.	56 88 25	Speedglas 9100 Air Welding Shield with 9100XX Filter, with Fresh-air C Regulator.
56 66 15	Speedglas 9100 Air Welding Shield with 9100X Filter, with Adflo Respirator.	56 88 05	Speedglas 9100 Air Welding Shield with 9100V Filter, with Fresh-air C Regulator.		



Accessories and spare parts

Part No	Description	Part No	Description	Part No	Description
16 80 15	Comfort sweatband, pkg of 3.	52 70 00	Outer protection plate, extra scratch resistant, pkg of 10.	53 30 00	Speedglas 9100 Headband with assembly parts.
16 90 05	Head protection, black.	52 70 70	Outer protection plate, heat resistant pkg of 10.	53 37 00	Air duct.
16 90 10	Neck protection, black.	52 80 05	Inner cover plate for 9100V Filter, pkg of 5. Plate marking 117x50.	53 41 00	Face seal.
16 91 00	Hood, black/grey.	52 80 15	Inner cover plate for 9100X Filter, pkg of 5. Plate marking 117x61.	53 60 00	Pivot mechanism, left and right.
17 10 20	Magnifying lens 1.0.	52 80 25	Inner cover plate for 9100XX Filter, pkg of 5. Plate marking 117x77.	53 61 00	Headband front part.
17 10 21	Magnifying lens 1.5.	53 35 05	Welding shield adapter when using old type of breathing tube (non-QRS).	53 62 00	Headband back part.
17 10 22	Magnifying lens 2.0.	53 10 00	Battery holder, pkg of 2.	56 08 90	9100 Air Welding Shield without headband, without air duct, without face seal, without filter.
17 10 23	Magnifying lens 2.5.	53 20 00	Heat-reflecting silver front.	56 28 00	9100 Air Welding Shield, without welding filter.
17 10 24	Magnifying lens 3.0.	53 20 15*	SideWindows cover plate, 2 pairs.		
42 20 00	Battery, pkg of 2.				
50 00 05	Speedglas 9100V Welding Filter.				
50 00 15	Speedglas 9100X Welding Filter.				
50 00 25	Speedglas 9100XX Welding Filter.				
52 60 00	Outer protection plate, standard, pkg of 10.				

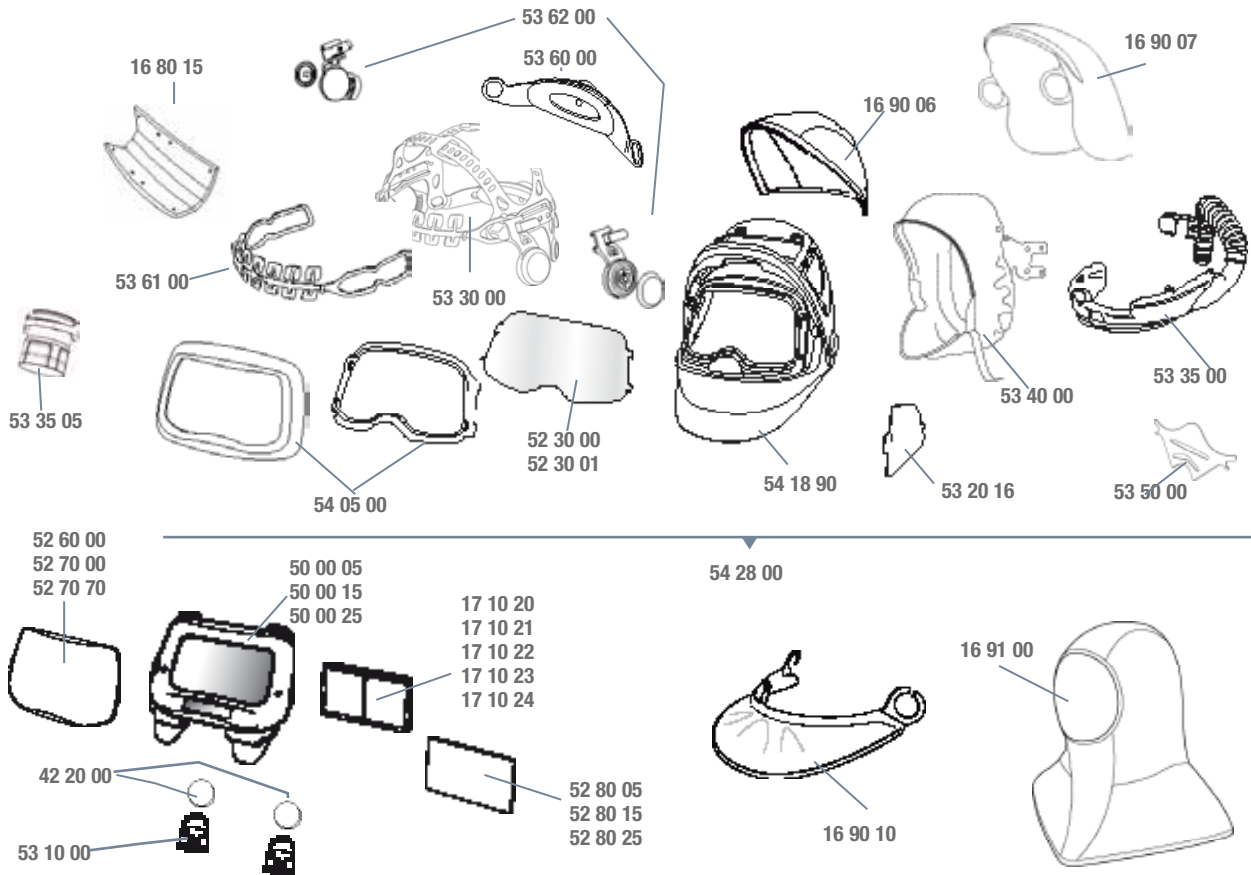
* Please use Part No 56 08 90 when new SideWindows are required.

3M™ Speedglas™ 9100 FX Air Welding Shield for Respiratory Protection



Part No	Description	Part No	Description	Part No	Description
54 66 00	Speedglas 9100 FX Air Welding Shield, without welding filter, with Adflo Respirator.	54 66 25*	Speedglas 9100 FX Air Welding Shield with 9100XX Filter, with Adflo Respirator.	54 88 15	Speedglas 9100 FX Air Welding Shield with 9100X Filter, with Fresh-air C Regulator.
54 66 05*	Speedglas 9100 FX Air Welding Shield with 9100V Filter, with Adflo Respirator.	54 88 00	Speedglas 9100 FX Air Welding Shield, without welding filter, with Fresh-air C Regulator.	54 88 25	Speedglas 9100 FX Air Welding Shield with 9100XX Filter, with Fresh-air C Regulator.
54 66 15*	Speedglas 9100 FX Air Welding Shield with 9100X Filter, with Adflo Respirator.	54 88 05	Speedglas 9100 FX Air Welding Shield with 9100V Filter, with Fresh-air C Regulator.		

*With bag (79 01 01)



Accessories and spare parts

Part No	Description	Part No	Description	Part No	Description
16 80 15	Comfort sweatband, pkg of 3.	52 60 00	Outer protection plate, standard, pkg of 10.	53 35 05	Adapter for non-QRS breathing tubes when using Speedglas 9100 Series welding shields.
16 90 06	Head protection, (small).	52 70 00	Outer protection plate, extra scratch resistant, pkg of 10.	53 35 00	Air duct.
16 90 07	Neck protection, (large).	52 70 70	Outer protection plate, heat resistant, pkg of 10.	53 40 00	Face seal.
16 91 00	Hood, black/grey.	52 80 05	Inner cover plate for 9100V Filter, pkg of 5. Plate marking 117x50.	53 50 00	Air deflector.
17 10 20	Magnifying lens 1.0.	52 80 15	Inner cover plate for 9100X Filter, pkg of 5. Plate marking 117x61.	53 60 00	Pivot mechanism, left and right.
17 10 21	Magnifying lens 1.5.	52 80 25	Inner cover plate for 9100XX Filter, pkg of 5. Plate marking 117x77.	53 61 00	Headband, front part.
17 10 22	Magnifying lens 2.0.	53 10 00	Battery holder, pkg of 2.	53 62 00	Headband, back part.
17 10 23	Magnifying lens 2.5.	53 20 16	SideWindows cover plate, 2 pairs.	54 18 90	Speedglas 9100 FX Air Welding Shield, without filter, without face seal, without air duct, without headband.
17 10 24	Magnifying lens 3.0.	53 30 00	Speedglas 9100 Series Headband, with assembly parts.	54 28 00	Speedglas 9100 FX Air Welding Shield without welding filter, with headband.
42 20 00	Battery, pkg of 2.			54 05 00	Front cover kit.
50 00 05	Speedglas 9100V Welding Filter.				
50 00 15	Speedglas 9100X Welding Filter.				
50 00 25	Speedglas 9100XX Welding Filter.				
52 30 00	Visor plate, standard, pkg of 5.				
52 30 01	Visor plate, anti-fog, pkg of 5.				

Featured Accessories

Every welder is different, and each day your tasks can change. As the owner of a 3M™ Speedglas™ Welding Shield, you have a variety of accessories available to maximize your protection and comfort.

Plus, we now offer a new generation of additional coverage products made in flame-retardant textiles for protection against molten metal, sparks and flames:



16 91 00



16 90 06
16 90 07

16 90 10



95 44 10



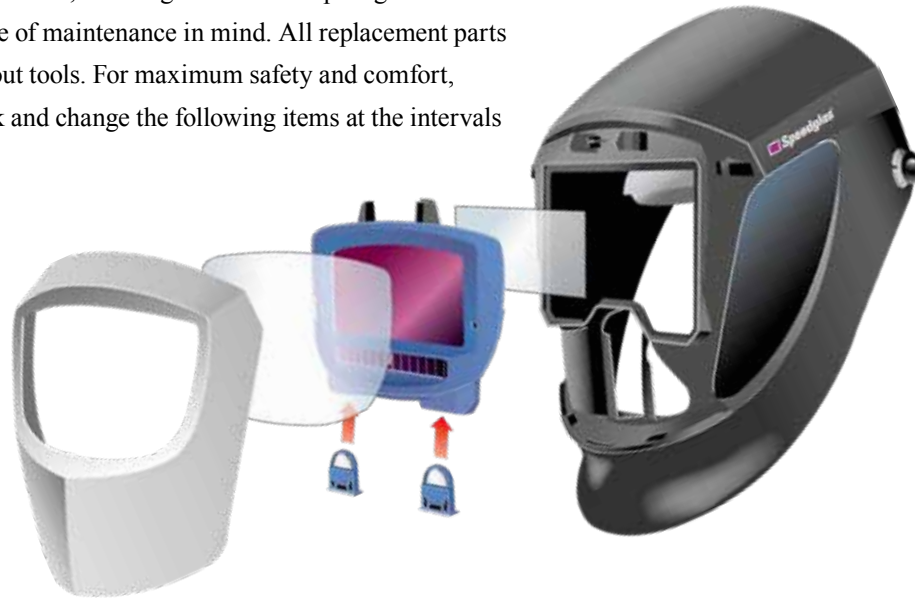
16 90 05

16 90 10

Ordering Information for Additional Coverage Products	3M™ Speedglas™ 9000 Series Welding Shields	3M™ Speedglas™ SL / 100 Welding Shields	3M™ Speedglas™ 9100 / 9100 Air Welding Shields	3M™ Speedglas™ 9100 FX / 9100 FX Air Welding Shields
Head protection	Part No 16 40 09		Part No 16 90 05	Part No 16 90 07 (large) Part No 16 90 06 (small)
Colour Approval	Black/Grey EN ISO 11611		Black EN ISO 11611	Black (covered by EN 175)
Neck protection		Part No 16 90 01		Part No 16 90 10
Colour Approval		Black/Grey EN ISO 11611		Black EN ISO 11611
Hood			Part No 16 91 00	
Colour Approval			Black/grey EN ISO 11611	
Welding cap			Part No 95 44 10	
Colour Material			Black Cotton	

Care and Maintenance

Every day welding sparks, heat, fumes, and normal wear-and-tear grind away at your protection equipment. Therefore, we designed all 3M™ Speedglas™ Personal Protective Equipment with ease of maintenance in mind. All replacement parts can be installed by hand, without tools. For maximum safety and comfort, make it a regular habit to check and change the following items at the intervals recommended below.



System	Component	Typically replaced	Notes
Welding Filters	Outer Protection Plate	Once a week	Replace anytime the plate becomes deeply pitted, scratched or too dirty to clean with soft cloth or lens paper.
Welding Filters	Inner Cover Plate	Once a month	Regularly clean with a soft cloth and replace if any pits or scratches occur.
Welding Shields	Visor Plate	Every two weeks	Replace more often if visibility is reduced.
Welding Shields	Sweatband	Once a month	Replace more often if sweatband becomes unhygienic.
Respirators	Prefilter	Once a week	Regular replacement of the prefilter extends the life of the particle filter, saving money while also increasing the battery run-time.
Respirators	Particle Filter	At least every month	For Adflo, replace when particle filter indicator becomes red. Otherwise, replace whenever the battery operating time becomes too short, or when "fully loaded" filter triggers low airflow alarm.
Respirators	Gas Filter	At least every 3 or 4 weeks	Immediately replace the gas filter any time you can smell odours while wearing the respirator.
Respirators	Odour filter	Any time you smell unpleasant odours	Odour filter is not required if gas filter is used.
Respirators	Spark arrestor	As needed	Replace if deformed and no longer fitting well.
Respirators	Breathing Tube	If damaged, deformed or leaking any air	To extend the life of breathing tube, use a tube cover or a heavy-duty rubber breathing tube.
Welding Shields with Respirators	Face Seal	At least every 2 months	Replace earlier in really dirty environments or whenever the seal becomes unhygienic.

Important information. Note that higher-than-normal levels of pollutants, heat, and sparks will require more frequent replacement of components. Chart assumes minimum 4 hours usage per day. Ordering information for each series of welding shield can be found in the Parts Directory.

3M™ Speedglas™ Welding Shields and Welding Filters

- Best**
- Better**
- Good**
- Not Recommended**



	3M™ Speedglas™ 9100 FX and 9100 FX Air Welding Shields			3M™ Speedglas™ 9100 and 9100 Air Welding Shields		
Welding Filter Options	9100XX Filter	9100X Filter	9100V Filter	9100XX Filter	9100X Filter	9100V Filter
MMAW (Electrode)	Best	Best	Best	Best	Best	Best
MIG/MAG	Best	Best	Best	Best	Best	Best
TIG (>20A)	Best	Best	Best	Best	Best	Best
TIG (1A-20A)	Best	Best	Best	Best	Best	Best
Plasma (welding and cutting)	Best	Best	Best	Best	Best	Best
Risk for hidden arc	Best	Best	Best	Best	Best	Best
Tack welding	Best	Best	Best	Best	Best	Best
Grinding (welding filer)	Better	Better	Better	Better	Better	Better
Grinding (clear visor)	Best	Best	Best	N/A	N/A	N/A
Viewing area (welding filter)	73 x 107 mm	54 x 107 mm	45 x 93 mm	73 x 107 mm	54 x 107 mm	45 x 93 mm
Battery lifetime	2 000 hours	2 500 hours	2 800 hours	2 000 hours	2 500 hours	2 800 hours
Solar cell	No	Yes	Yes	No	Yes	Yes
Safety Helmet options	No			Yes (non air version)		
Classification	1 / 1 / 1 / 2			1 / 1 / 1 / 2		
Dark state	Shade 5, 8, 9–13			Shade 5, 8, 9–13		
Light state	Shade 3			Shade 3		
UV/IR Protection	Shade 13 (permanent)			Shade 13 (permanent)		
Auto ON	No			No		
Switching time, light -dark	0,1 ms (+23° C)			0,1 ms (+23° C)		
Delay (switching time, dark-light)	40–1 300 ms			40–1 300 ms		
SideWindows option	Yes			Yes		
Exhaust vents	Yes (non air version)			Yes (non air version)		
Number of sensors (arc detection)	3			3		
Approvals Eye and Face protection Welding shield Welding filter Protection plates Visor plate	EN175:B EN 379 EN166:BT* EN166:BT*			EN175:B EN 379 EN166:BT* N/A		
Approval Respiratory Protection / NPF** Speedglas SG-300 Respirator Adflo Respirator Fresh-air C Regulator	With Speedglas 9100 FX Air Welding Shield EN 12941 (TH3) / NPF 500 EN 12941 (TH3) / NPF 500 EN 14594 (3B) / NPF 200			with Speedglas 9100 Air Welding Shield EN 12941 (TH2) / NPF 50 EN 12941 (TH2) / NPF 50 EN 14594 (2B) / NPF 50		

* According to the European Standards the mechanical strength (for this product) is classified as B; resistance to high speed particles at medium energy impact (120 m/s). The letter T indicates that the test for resistance to high speed particle was conducted at extremes of temperatures (-5° to +55°C).

** The nominal protection factor based on laboratory-measured performance data according to European Standards. The protection factor is assigned by local authorities in each European country and can therefore be different for each country.



	3M™ Speedglas™ SL Welding Shield	3M™ Speedglas™ 9000 Series Welding Shield Shields (with safety helmet)			3M™ Speedglas™ 100 Series Welding Shield	
er	SL Filter	9002X Filter	9002V Filter	9002D Filter	100V Filter	100S Filters
	N/A	Speedglas 9000 FlexView			N/A	N/A
	42 x 93 mm	55 x 107 mm	42 x 93 mm		44 x 93 mm	
	1 500 hours	3 000 hours	1 500 hours		1 500 hours	
	No	Yes	No		No	
	No	Yes			Yes	
	1 / 1 / 1 / 2	1 / 1 / 2 / 2	1 / 1 / 1 / 2	1 / 2 / 2 / 3	1 / 2 / 2 / 2	
	Shade 8–12	Shade 9–13		Shade 9/11	Shade 8–12	Shade 10 or 11
	Shade 3	Shade 3			Shade 3	
	Shade 12 (permanent)	Shade 13 (permanent)			Shade 12 (permanent)	
	Yes	No			No	
	0,1 ms (+23° C)	0,1 ms (+23° C)		0,4 ms (+23° C)	0,1 ms (+23° C)	
	60–250 ms	60–500 ms		100–200 ms	100–250 ms	100 or 200 ms
	No	Yes			No	
	No	Yes (non air version)			No	
	2	2			2	
	EN 175:F EN 379 EN166:FT N/A	EN 175:B (without SideWindows), EN 175:F (with SideWindows) EN 379, EN 166:BT* EN166:BT (Speedglas 9000 FlexView)			EN 175:B EN 379 EN 166:BT* N/A	
	N/A	with Speedglas 9000 Welding Shield EN12941 (TH2) / NPF 50 EN12941 (TH2) / NPF 50 EN 270 / NPF 200			N/A	