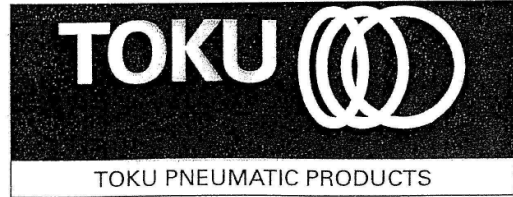


MAINTENANCE INSTRUCTIONS

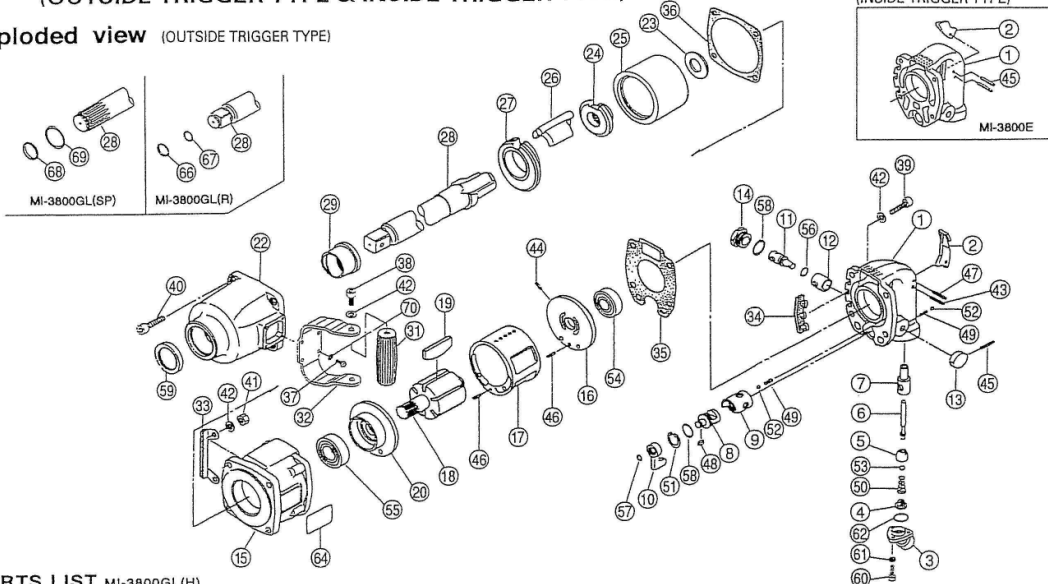
1" IMPACT WRENCH

MODEL MI-3800

(OUTSIDE TRIGGER TYPE & INSIDE TRIGGER TYPE)



Exploded view (OUTSIDE TRIGGER TYPE)



PARTS LIST MI-3800GL(H)

Index No.	Parts No.	Description	No. Req'd
1	43-16-61-020	Handle	1
2	43-16-93-130	Trigger	1
3	43-16-81-G40	Air Inlet 45°	1
4	43-16-03-032	Net Screen	1
5	13-55-05-002	Throttle Valve	1
6	13-04-05-011	Throttle Push Rod	1
7	43-12-66-090	Throttle Valve Bushing	1
8	43-12-66-210	Reverse Valve	1
9	43-12-66-200	Reverse Valve Bushing	1
10	43-12-66-230	Reverse Valve Lever	1
11	43-16-61-150	Control Valve	1
12	43-12-66-140	Control Valve Bushing	1
13	13-67-04-051	Control Valve Knob	1
14	43-12-66-270	Control Valve Cap	1
15	43-16-61-010	Motor Housing	1
16	43-12-66-370	Rear End Plate	1
17	43-12-66-360	Liner	1
18	43-12-88-390	Rotor	1
19	13-71-10-003	Vane	6
20	43-12-66-380	Front End Plate	1
22	43-12-66-520	Clutch Housing	1
23	43-12-66-480	Thrust Plate	1
24	43-12-66-430	Cam	1
25	43-12-66-440	Cage	1
26	43-16-61-450	Dog	1
27	43-12-66-470	Cage Bushing	1
28	43-12-68-500	Anvil Shank L (H)	1
29	43-12-66-530	Housing Bushing	1
31	43-12-66-620	Grip	1
32	43-16-81-550	Dead Handle	1
33	13-62-01-015	Protector (F)	1
34	13-66-06-001	Protector (R)	1
35	13-61-04-001	Motor Housing Packing	1
36	13-61-04-002	Clutch Housing Packing	1
37	13-19-05-014	Hex. Socket Button Head Screw M5X14	4
38	13-19-08-016	Hex. Socket Button Head Screw M8X16	2
39	13-17-08-030	Hex. Socket Head Cap Screw M8X30	4
40	13-17-08-035	Hex. Socket Head Cap Screw M8X35	4
41	13-44-01-008	Hex. Nut M8	4
42	13-13-09-008	Washer M8	10
43	13-06-04-025	Spring Pin 4X25	1
44	13-06-03-010	Spring Pin 3X10	1
45	13-06-03-024	Spring Pin 3X24	1
46	13-06-04-014	Spring Pin 4X14	2
47	13-06-04-020	Spring Pin 4X20	1
48	13-04-10-381	Key	1
49	13-08-08-001	Spring	2
50	13-08-08-002	Throttle Valve Spring	1
51	13-03-01-024	Retaining Ring H-24	1
52	13-05-02-010	Steel Ball 5/32	2
53	13-05-05-028	Polyurethan Rubber Ball 7/16	1

Index No.	Parts No.	Description	No. Req'd
54	13-01-07-005	Bearing 6204	1
55	13-01-07-006	Bearing 6205	1
56	13-11-01-012	O-Ring P-12	1
57	13-11-03-006	O-Ring S-8	1
58	13-11-03-016	O-Ring S-20	2
59	13-12-02-048	Oil Seal VB-40525	1
60	13-17-05-016	Hex. Socket Head Cap Screw M5X16	3
61	13-13-10-005	Spring Washer M5	3
62	13-11-03-018	O-Ring S-22.4	1
64	13-73-05-034	Name Plate	1
70	13-13-10-005	Spring Washer M5	4
	43-16-61-02B	Handle CP (Incl. Index No.1,7,9&12)	(1CP)
	43-12-66-52B	Clutch Housing CP (Incl. Index No.22,29&59)	(1CP)
	43-16-81-55C	Dead Handle CP (Incl. Index No.31,32,38&42)	(1CP)
	43-16-61-02D	Handle Assy (Incl. Index No.1,2,3,4,5,6,7,8,9,10,11,12,13,14, 43,45,47,48,49,50,51,52,53,56,57,58,60,61&62)	(1ASY)

MI-3800GS(H)

Index No.	Parts No.	Description	No. Req'd
28	43-12-66-500	Anvil Shank (H)	1

MI-3800GL(R)

Index No.	Parts No.	Description	No. Req'd
28	43-12-73-500	Anvil Shank L (R)	1
66	13-08-03-144	Socket Retainer Ring	1
67	13-11-05-013	O-Ring 6227-13	1
	43-12-73-50C	Anvil Shank L (R) CP (Incl. Index No.28,66&67)	(1CP)

MI-3800GS(R)

Index No.	Parts No.	Description	No. Req'd
28	43-12-75-500	Anvil Shank (R)	1
66	13-08-03-144	Socket Retainer Ring	1
67	13-11-05-013	O-Ring 6227-13	1
	43-12-75-50C	Anvil Shank (R) CP (Incl. Index No.28,66&67)	(1CP)

MI-3800GL(SP)

Index No.	Parts No.	Description	No. Req'd
28	43-16-65-500	Anvil Shank L (SP)	1
66	13-08-03-145	Socket Retainer Ring	1
67	13-11-05-019	O-Ring 6227-19	1
	43-16-65-50C	Anvil Shank L (SP) CP (Incl. Index No.28,66&67)	(1CP)

MI-3800GS(SP)

Index No.	Parts No.	Description	No. Req'd
28	43-16-66-500	Anvil Shank L (SP)	1
66	13-08-03-145	Socket Retainer Ring	1
67	13-11-05-019	O-Ring 6227-19	1
	43-16-66-50C	Anvil Shank (SP) CP (Incl. Index No.28,66&67)	(1CP)

INSIDE TRIGGER TYPE MI-3800E

Index No.	Parts No.	Description	No. Req'd
1	43-16-41-020	Handle	1
2	43-12-67-130	Trigger	1
45	13-06-03-024	Spring Pin 3X24	3
	43-16-41-02B	Handle CP (Incl. Index No.1,7,9&12)	(1CP)
	43-16-41-02D	Handle Assy (Incl. Index No.1,2,3,4,5,6,7,8,9,10,11,12,13,14, 45,48,49,50,51,52,53,56,57,58,60,61&62)	(1ASY)