

SJS - HYDRAULIC STEPPED JAW SPREADER



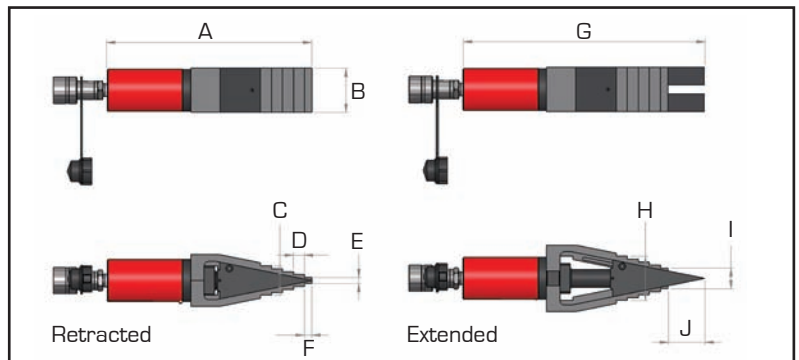
Capacity up to 13 tonnes

Supplied with safety block & stepped blocks

Maximum spread 60mm

- >> Single acting, spring assisted return
- >> Compact & lightweight design

The SJS10 hydraulic spreader offers the ideal solution for spreading, wedging and prising operations in a wide variety of industrial applications. The compact, low weight, spring assisted, piston retract design of the SJS10 offers the user a powerful 13 tonnes of spreading capacity. Manufactured from high strength steel, the low height jaw tips can easily fit within an 8mm gap and can provide a total spreading distance of 60mm in 5 operations, using the step blocks provided with the tool. Suitable for operation up to 700 Bar maximum working pressure, and supplied complete with a female half quick connect coupler for easy attachment to a Hi-Force manually operated or powered hydraulic pump.



Model number	Capacity tonnes	Oil capacity cm ³	Weight kg
SJS10	13	74	5.5

Dimensions in mm									
A	B	C	D	E	F	G	H	I	J
279	60	40	15	8	10	328	60	28	49

JS - HYDRAULIC JAW SPREADER



The JS4 hydraulic spreader is the ideal solution for spreading, wedging and prising operations in a wide variety of industrial applications. The compact, low weight, spring assisted return design enables the tool to fit into a gap of 9.7mm and offers a maximum spread of 94mm. Manufactured from high strength steel, with a maximum pressure of 700 Bar, the JS4 is supplied fitted with a quick connect female half coupler.

Model number	Capacity tonnes	Oil capacity cm ³	Weight kg
JS4	0.9	10.0	2.2

Dimensions in mm		
A	B	C
223	9.7	94

