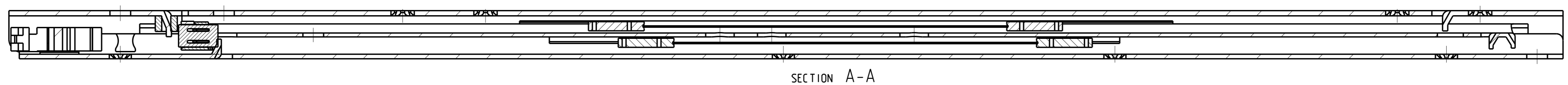


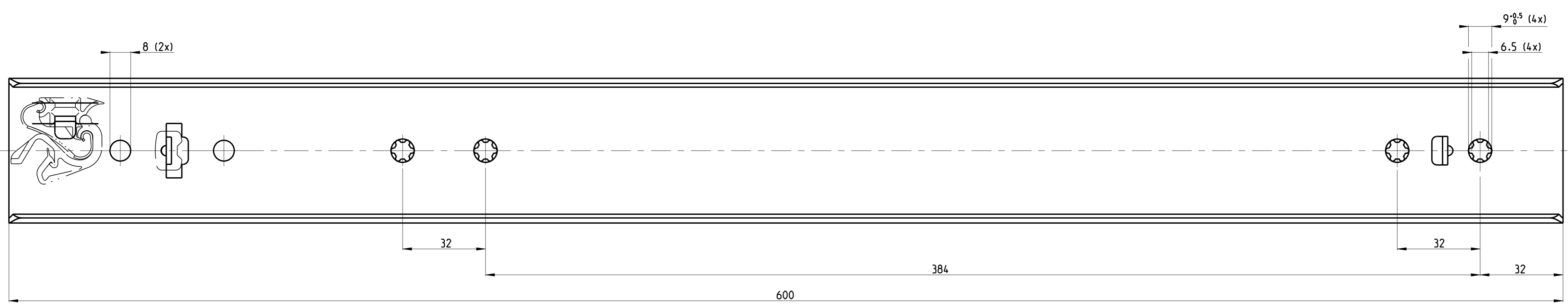
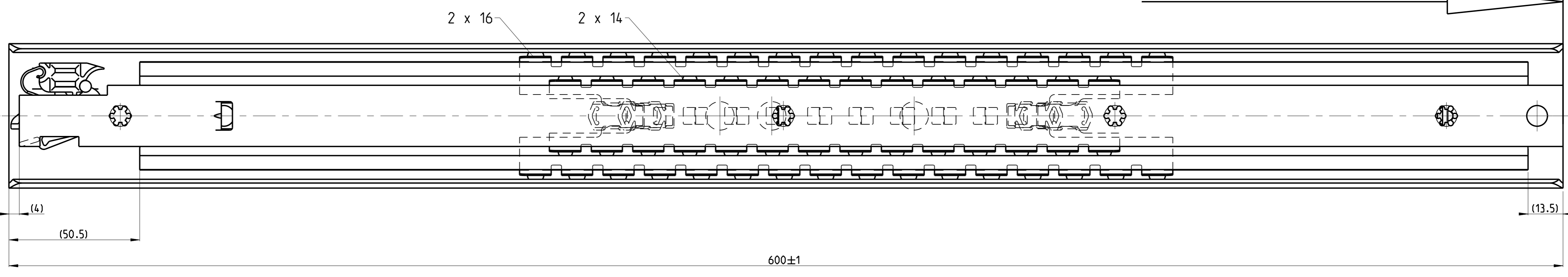
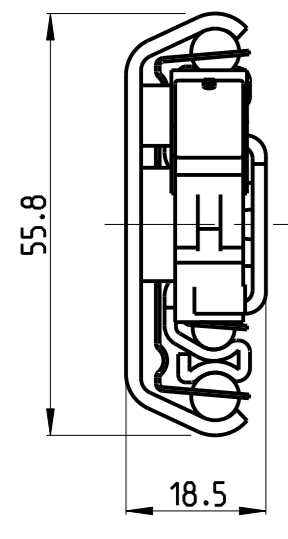
1 2 3 4 5 6 7 8 9 10 11 12 13 14 15 16 17 18 19 20

T 1-2 = 293.5
T 2-3 = 306.5



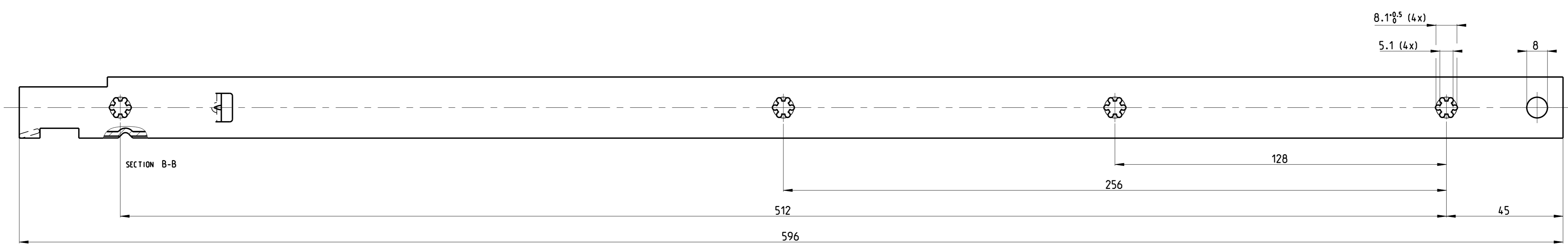
SECTION A-A

EXTENSION 600^{±4} mm



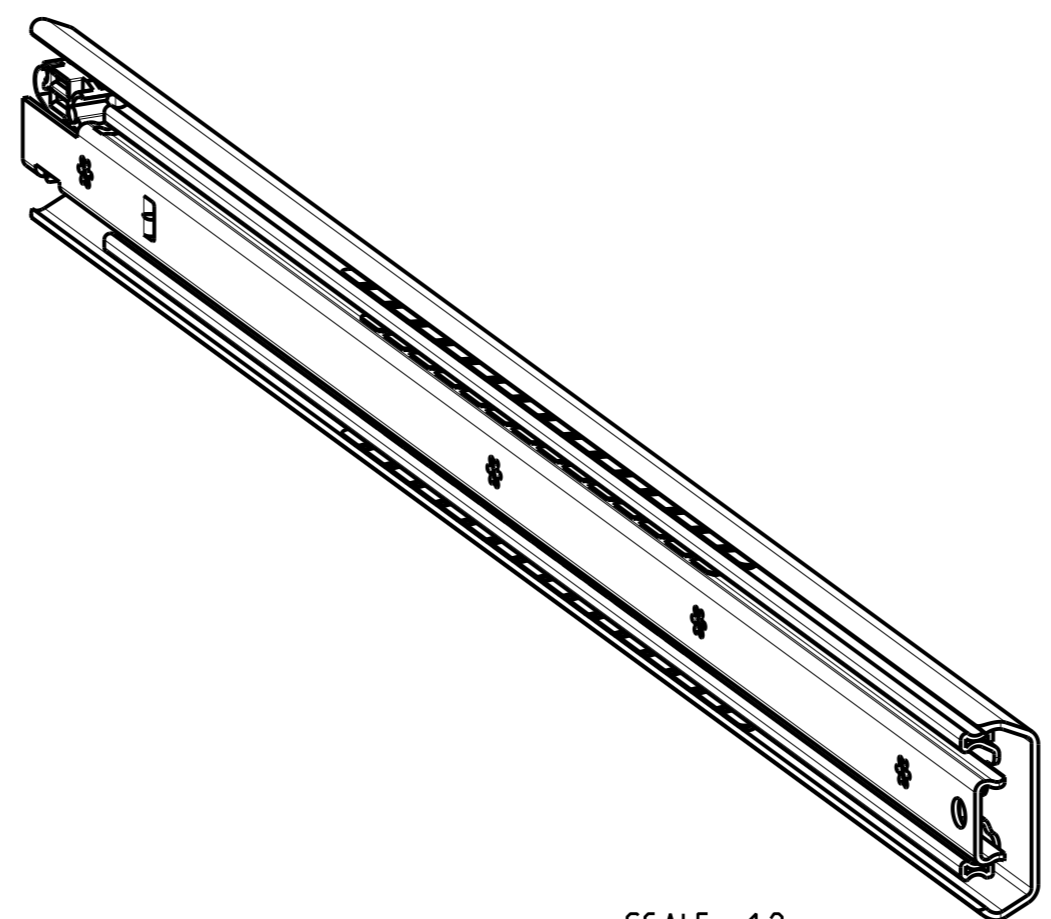
FRONT

511-12-S67-HDB



SECTION B-B

513-12-S67-UB3



SCALE 1:2

PRO/ENGINEER Drawing		Dimensions between marks are guide dimensions. Tolerances unless otherwise stated ±0.5mm.		Thomas Regout Int. B.V. reserves the right to alter non-customer specific specifications without notice.	
Was: -	-	DIMENSION	mm	MAT.: -	-
American projection	SCALE	1:1	REMARKS	RIGHT HAND SLIDE = LEFT HAND SLIDE	
DATE	DESIGNER	09-11-2011	M. Mahieu	-	
CHECKED	-	-	-	Type F	
ULF HD 600,0 / 600,0 (18,5mm)					
THOMAS REGOUT INTERNATIONAL BV				Drw. Nr.	Format.
© Thomas Regout International BV All rights are reserved.				112-S67 _ 00	A1
				Production	

04	-	-	-	-	05	-	-	-	-	06	-	-	-	-
01	-	-	-	-	02	-	-	-	-	03	-	-	-	-