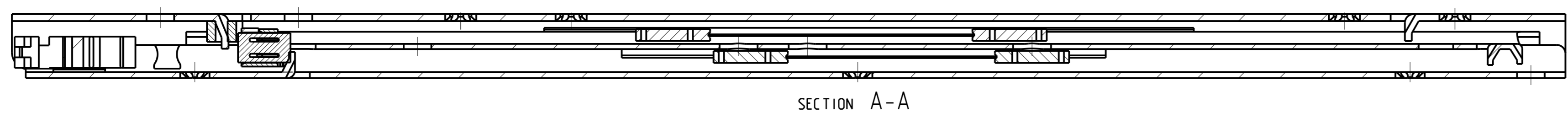


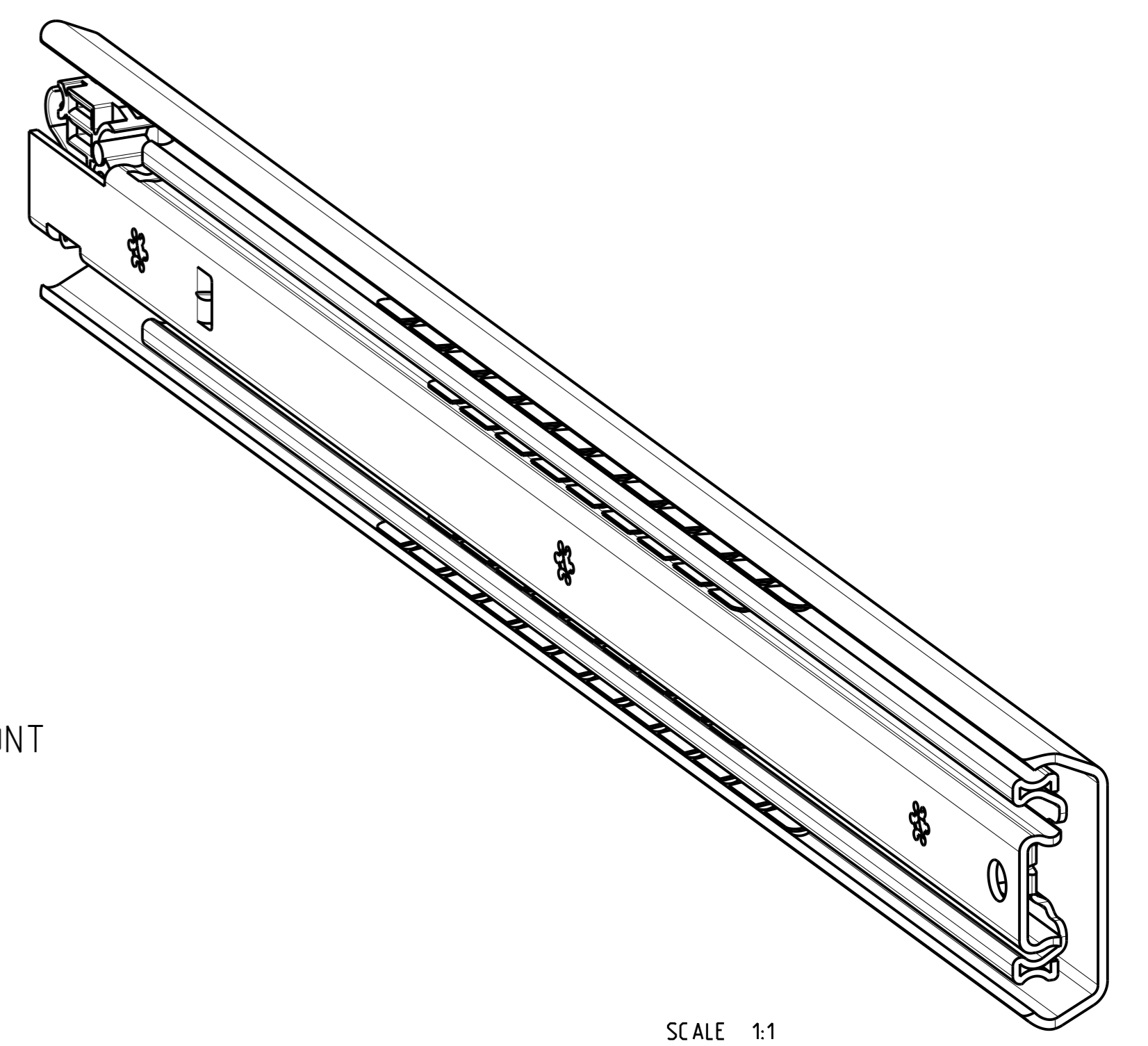
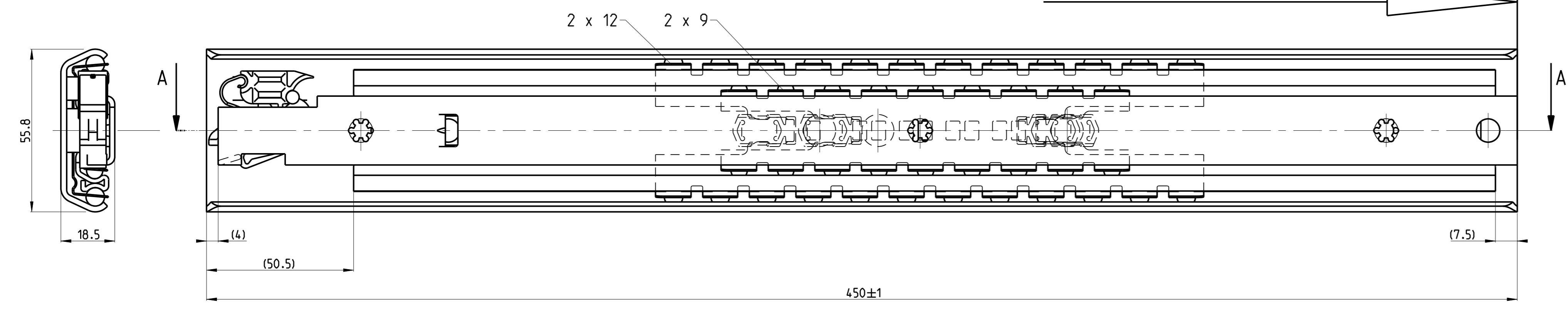
1 2 3 4 5 6 7 8 9 10 11 12 13 14 15 16 17 18 19 20

T 1-2 = 207.5
T 2-3 = 242.5



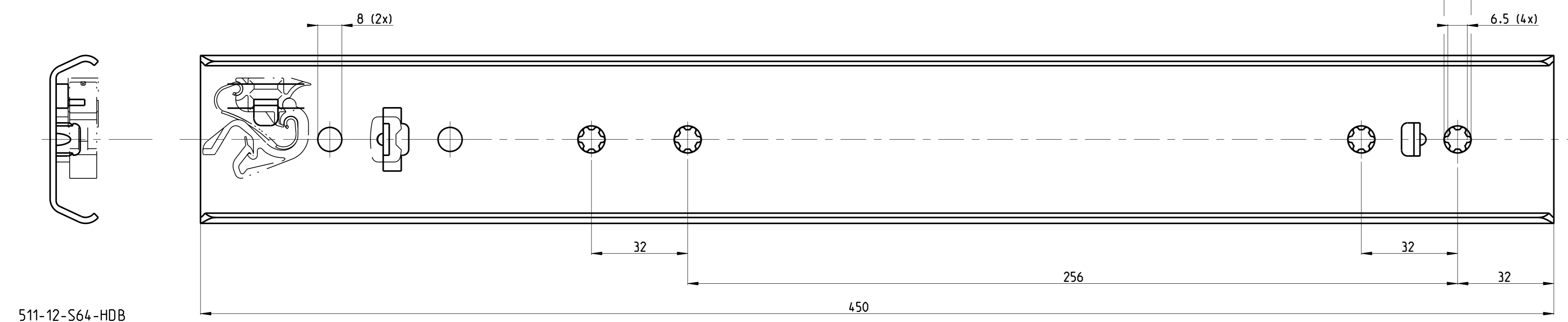
SECTION A-A

EXTENSION 450 ± 4 mm

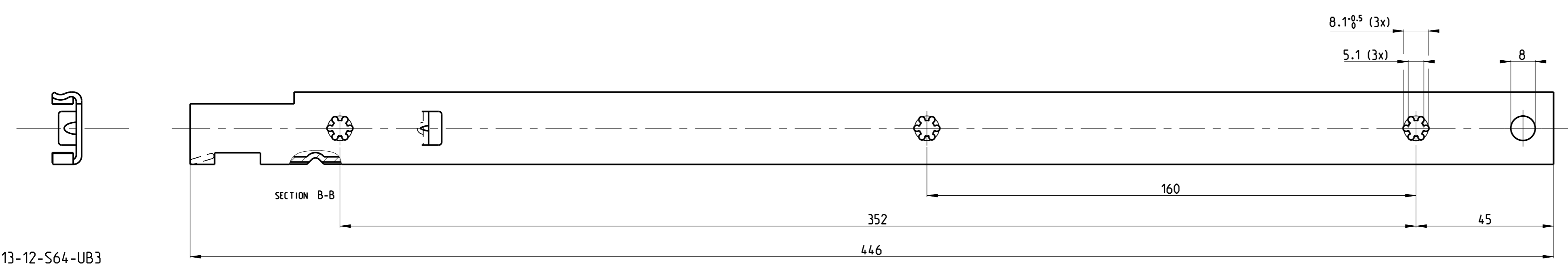


FRONT

SCALE 1:1



511-12-S64-HDB



513-12-S64-UB3

04	-	-	-	-	05	-	-	-	-	06	-	-	-	-
01	-	-	-	-	02	-	-	-	-	03	-	-	-	-

PRO/ENGINEER Drawing		Dimensions between marks are guide dimensions. Tolerances unless otherwise stated ± 0.5 mm.		Thomas Regout Int. B.V. reserves the right to alter non-customer specific specifications without notice.	
Was: - 112-F94-01					
American projection	DIMENSION	mm	MAT.: -	REM.: RIGHT HAND SLIDE = LEFT HAND SLIDE	
	SCALE	1:1	-		
	DATE	09-11-2011	-		
	DESIGNER	M. Mahieu	-		
	CHECKED	-	Type F		
ULF HD 450,0 / 450,0 (18,5mm)					
			Drw. Nr.		Format.
			112-S64 _ 00		A1
© Thomas Regout International BV All rights are reserved.			Production		