



## Swivel

Guaranteed anti-torsion  
even under maximum load



**Swivels** are an indispensable aid for **safe and proper** cable laying. They are used both in underground cabling and in overhead cabling.

KATIMEX® swivels are made with **stainless steel** and guarantee a **long working life**.

The use of **double bearings** make it possible to neutralize the torsion as required, **even under maximum tension**.

The slim rounded shape is optimally suited to practical requirements.



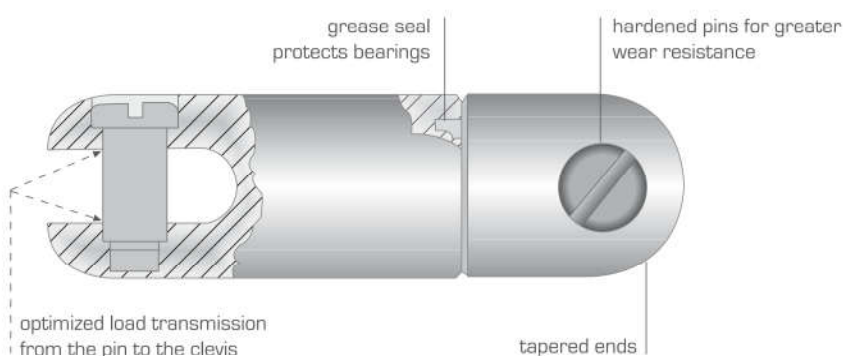


### Swivel

#### Technical Information:

Swivels neutralize the twisting motion which arises during cable pulling.

The slim rounded shape is optimally suited to practical requirements.



#### Swivel



diameter (mm)	length (mm)	max. tension (kN)	breaking load* (kN)	weight (kg)	art.-no.
16	64	3.3	10.0	0.06	107183
20	78	5.0	15.0	0.12	107173
22	86	10.0	30.0	0.15	107174
25	98	15.6	47.0	0.23	107175
32	121	22.2	67.0	0.45	107176
35	130	31.1	93.0	0.63	107177
38	143	40.0	120.0	0.77	107184
41	152	44.5	133.0	0.95	107181
51	178	66.7	200.0	1.70	107178
60	262	110.0	330.0	3.50	107182
76	349	222.0	667.0	7.70	107179

\*max. tension with a safety factor of 3 for horizontal tension

#### Clevis Pin



for swivel, VE = 2 pcs.

diameter	art.-no.
16 and 20 mm	107168
22 mm	107169
25 mm	107170
32 mm	107171
35 and 38 mm	107172
41 mm	107167
51 mm	107166