

## Operating and installation instructions Induction hobs



To avoid the risk of accidents or damage to the appliance it is **essential** to read these instructions before it is installed and used for the first time.

# Contents

---

<b>Warning and Safety instructions</b> .....	4
<b>Caring for the environment</b> .....	15
<b>Guide to the appliance</b> .....	16
Hob.....	16
KM 7200 FR .....	16
KM 7201 FR .....	17
KM 7210 FR .....	18
KM 7262 FR .....	19
Controls and display .....	20
Cooking zones.....	22
<b>Before using for the first time</b> .....	25
Cleaning the hob for the first time .....	25
Switching on the hob for the first time .....	25
<b>How it works</b> .....	26
Noises.....	26
Power management .....	27
<b>Pans</b> .....	28
<b>Tips on saving energy</b> .....	30
<b>Setting ranges</b> .....	31
<b>Operation</b> .....	32
Using the appliance.....	32
Switching on the hob .....	33
Setting the power level.....	33
Changing the power level.....	33
Switching off a cooking zone .....	33
Residual heat indicator.....	34
Power level setting - Extended setting range.....	34
Auto heat-up .....	35
Booster function.....	36
Keeping warm .....	37
<b>Timer</b> .....	38
Minute minder .....	38
Auto switch off .....	39
Using both timer functions at the same time .....	40
<b>Additional functions</b> .....	41
Stop & Go.....	41

---

Recall.....	41
Demonstration mode.....	42
Displaying hob data.....	42
<b>Safety features</b> .....	43
System lock / Safety lock.....	43
Safety switch-off .....	44
Overheating protection.....	45
<b>Programming</b> .....	46
<b>Note for test institutes</b> .....	49
<b>Cleaning and care</b> .....	50
<b>Problem solving guide</b> .....	52
Messages in the display.....	52
Unexpected behaviour .....	53
Unsatisfactory results.....	54
General problems or technical faults.....	54
<b>Optional accessories</b> .....	55
<b>After sales service</b> .....	56
Contact in the event of a fault .....	56
Data plate .....	56
Warranty .....	56
<b>Installation</b> .....	57
Safety instructions for installation .....	57
Safety distances.....	58
Installation notes .....	62
Building-in dimensions .....	63
KM 7200 FR .....	63
KM 7201 FR .....	64
KM 7210 FR .....	65
KM 7262 FR .....	66
Installation .....	67
Electrical connection.....	68
<b>Product data sheets</b> .....	71

## Warning and Safety instructions

---

This hob complies with all relevant local and national safety requirements. Inappropriate use can, however, lead to personal injury and material damage.

Read the operating and installation instructions carefully before using the hob. They contain important information on safety, installation, use and maintenance. This prevents both personal injury and damage to the hob.

In accordance with standard IEC 60335-1, Miele expressly and strongly advises that you read and follow the instructions in the chapter on installing the hob as well as the safety instructions and warnings.

Miele cannot be held liable for injury or damage caused by non-compliance with these instructions.

Keep these instructions in a safe place and pass them on to any future owner.

### Correct application

- ▶ This hob is intended for domestic use and use in other similar environments.
- ▶ This hob is not intended for outdoor use.
- ▶ It is intended for domestic use only to cook food and keep it warm. Any other use is not supported by the manufacturer and could be dangerous.
- ▶ This hob is not intended for use by people with reduced physical, sensory or mental capabilities or lack of experience and knowledge, unless they have been given supervision and instruction concerning its use by a person responsible for their safety. They may only use the hob unsupervised if they have been shown how to use it in a safe way. They must be able to recognise and understand the dangers of misuse.

# Warning and Safety instructions

---

## Safety with children

- ▶ Children under 8 years of age must be kept away from the hob unless they are constantly supervised.
- ▶ Children over 8 years of age may use the hob without supervision if its operation has been clearly explained to them and they are able to use it safely. Children must be able to understand and recognise the possible dangers caused by incorrect operation.
- ▶ Children must not be allowed to clean the hob unsupervised.
- ▶ Please supervise children in the vicinity of the hob and do not let them play with it.
- ▶ The hob gets hot when in use and remains hot for a while after being switched off. Keep children well away from the hob until it has cooled down and there is no danger of burning.
- ▶ Danger of burning! Do not store anything which might arouse a child's interest in storage areas above or behind the hob. Otherwise they could be tempted into climbing onto the appliance with the risk of burning themselves.
- ▶ Risk of burning and scalding. Place pots and pans on the cooking zone in such a way that children cannot pull them down and burn themselves.
- ▶ Danger of suffocation! Whilst playing, children may become entangled in packaging material (such as plastic wrapping) or pull it over their head with the risk of suffocation. Keep packaging material away from children.
- ▶ Activate the system lock to ensure that children cannot switch on the hob inadvertently. Use the safety lock when the hob is in use to prevent children from altering the settings selected.

## Technical safety

- ▶ Unauthorised installation, maintenance and repairs can cause considerable danger for the user. Installation, maintenance and repairs must only be carried out by a Miele authorised technician.
- ▶ Damage to the hob can compromise your safety. Check the hob for visible signs of damage. Do not use the hob if it is damaged.
- ▶ Temporary or permanent operation on an autonomous power supply system or a power supply system that is not synchronised with the mains power supply (e.g. island networks, back-up systems) is possible. A prerequisite for operation is that the power supply system complies with the specifications of EN 50160 or an equivalent standard.

The function and operation of the protective measures provided in the domestic electrical installation and in this Miele product must also be maintained in isolated operation or in operation that is not synchronised with the mains power supply, or these measures must be replaced by equivalent measures in the installation. As described, for example, in the current version of BS OHSAS 18001–2 ISO 45001.

- ▶ The electrical safety of this hob can only be guaranteed when correctly earthed. It is essential that this standard safety requirement is met. If in any doubt please have the electrical installation tested by a qualified electrician.
- ▶ To avoid the risk of damage to the hob, make sure that the connection data on the data plate (voltage and frequency) match the mains electricity supply before connecting it to the mains. Consult a qualified electrician if in doubt.
- ▶ Do not connect the hob to the mains electrical supply by a multi-socket adapter or extension lead. These are a fire hazard and do not guarantee the required safety of the appliance.
- ▶ For safety reasons, this hob may only be used after it has been built in.

## Warning and Safety instructions

---

- ▶ This hob must not be used in a non-stationary location (e.g. on a ship).
- ▶ Never open the casing of the hob.  
Touching or tampering with electrical connections or components and mechanical parts is highly dangerous to the user and can cause operational faults.
- ▶ While the hob is under warranty, repairs should only be undertaken by a Miele authorised service technician. Otherwise the warranty is invalidated.
- ▶ Miele can only guarantee the safety of the appliance when genuine original Miele replacement parts are used. Faulty components must only be replaced by Miele spare parts.
- ▶ The hob is not intended for use with an external timer switch or a remote control system.
- ▶ The hob must be connected to the electricity supply by a qualified electrician (see “Installation – Electrical connection”).
- ▶ If the mains connection cable is damaged, it must be replaced with a special mains connection cable by a qualified electrician (see “Electrical connection” in the “Installation” chapter).
- ▶ The hob must be disconnected from the mains electricity supply during installation, maintenance and repair work. Ensure that power is not supplied to the appliance until after it has been installed or until any maintenance or repair work has been carried out.
- ▶ Danger of electric shock. Do not use the hob if it is faulty, or if the ceramic surface is cracked, chipped or damaged in any way. Switch it off immediately. Disconnect the hob from the mains electricity supply. Contact Miele Service.



## Warning and Safety instructions

---

- ▶ If the hob is installed behind a cabinet door, do not close the door while the hob is in use. Heat and moisture can build up behind the closed door. This can result in damage to the hob, the housing unit and the floor. Do not close the door until the residual heat indicators go out.
- ▶ In areas which may be subject to infestation by cockroaches or other vermin, pay particular attention to keeping the appliance and its surroundings clean at all times. Any damage caused by cockroaches or other vermin will not be covered by the warranty.

# Warning and Safety instructions

---

## Correct use

- ▶ The hob gets hot when in use and remains hot for a while after being switched off. There is a danger of burning until the residual heat indicators go out.
- ▶ Oil and fat can overheat and catch fire. Do not leave the hob unattended when cooking with oil and fat. If it does ignite do not attempt to put the flames out with water. Disconnect the hob from the mains and use a suitable fire blanket, saucepan lid, damp towel or similar to smother the flames.
- ▶ Do not leave the hob unattended whilst it is being used. It should be continually monitored whilst boiling and flash frying.
- ▶ Flames could set the grease filters of a cooker hood on fire. Do not flambé under a cooker hood.
- ▶ Spray canisters, aerosols and other inflammable substances can ignite when heated. Therefore do not store such items or substances in a drawer under the hob. Cutlery inserts must be heat-resistant.
- ▶ Do not heat an empty pan.
- ▶ Do not heat up food in closed containers e.g. tins or sealed jars on the hob, as pressure can build up in the container, causing it to explode.
- ▶ Do not cover the hob, e.g. with a hob cover, a cloth or protective foil. The material could catch fire, shatter or melt if the hob is switched on by mistake or if residual heat is still present.
- ▶ When the appliance is switched on either deliberately or by mistake, or when there is residual heat present, there is the risk of any metal items left on the hob heating up, with the danger of burning. Depending on the material, other items left on the hob could also melt or catch fire. Damp pan lids might adhere to the ceramic surface and be difficult to dislodge. Do not use the appliance as a resting place. Switch the cooking zones off after use.

## Warning and Safety instructions

---

- ▶ You could burn yourself on the hot hob. Protect your hands with heat-resistant pot holders or gloves when handling hot pots and pans. Do not let them get wet or damp, as this causes heat to transfer through the material more quickly with the risk of scalding or burning yourself.
- ▶ When using an electrical appliance, e.g. a hand-held food blender, near the hob, ensure that the cable of the electrical appliance cannot come into contact with the hot hob. The insulation on the cable could become damaged.
- ▶ Grains of salt, sugar and sand (e.g. from cleaning vegetables) can cause scratches if they get under pan bases. Make sure that the ceramic surface is clean before placing pans on it.
- ▶ Even a light object can cause damage in certain circumstances. Do not drop anything on the ceramic surface.
- ▶ Placing hot pans on the sensors and indicators could damage the electronics underneath. Do not place hot pans on the sensors or indicators.
- ▶ Do not allow solid or liquid sugar, or pieces of plastic or aluminium foil to get onto the hob when it is hot, as they can damage the ceramic surface when it cools down. If this should occur, switch off the appliance and scrape off all the sugar, plastic or aluminium residues whilst still hot, using a shielded scraper blade suitable for use on glass. Wear oven gloves when doing this. Allow the ceramic surface to cool down and then clean it with a suitable ceramic hob cleaning agent.
- ▶ Pans which boil dry can cause damage to the ceramic glass. Do not leave the hob unattended whilst it is being used.
- ▶ Only use pots and pans with smooth bases. Rough bases will scratch the ceramic glass.
- ▶ Lift pans into position on the hob. Sliding them into place can cause scuffs and scratches.

## Warning and Safety instructions

---

- ▶ Because induction heating works so quickly, the base of the pan could, under certain circumstances, heat up to the temperature at which oil or fat self-ignites within a very short time. Never leave the hob unattended during use!
- ▶ Heat oil or fat for a maximum of one minute. Never use the Booster function to heat oil or fat.
- ▶ For people fitted with a heart pacemaker: Please note that the area immediately surrounding the hob is electromagnetically charged. It is very unlikely to affect a pacemaker. However, if in any doubt, consult the manufacturer of the pacemaker or your doctor.
- ▶ To prevent damage to items which are susceptible to electromagnetic fields, e.g. credit cards, digital storage devices, pocket calculators, etc, do not leave them in the immediate vicinity of the hob.
- ▶ Metal utensils stored in a drawer under the hob can become hot if the appliance is used intensively for a long time.
- ▶ The hob is fitted with a cooling fan. If a drawer is fitted directly underneath the hob, ensure that there is sufficient space between the drawer and its contents and the underside of the hob in order to ensure sufficient ventilation for the hob.
- ▶ If a drawer is fitted directly underneath the hob, do not store any pointed or small items, paper, serviettes, etc. in the drawer. They could get in through the ventilation slots or be sucked into the casing by the fan and damage the fan or impair cooling.
- ▶ Do not use two pans on a cooking zone or extended zone at the same time.
- ▶ If the cookware only partially covers a cooking or extended zone, the handle could become very hot.  
Always place cookware in the middle of a cooking or extended zone!

## Warning and Safety instructions

---

▶ The induction generators could be damaged or even destroyed if you use an induction adapter plate for cookware. Do not use induction adapter plates.

## Warning and Safety instructions

---

### Cleaning and care

- ▶ Do not use a steam cleaning appliance to clean this hob. The steam could reach electrical components and cause a short circuit.
- ▶ If the hob is built in over a pyrolytic oven, the hob should not be used whilst the pyrolytic process is being carried out, as this could trigger the overheating protection mechanism on the hob (see relevant section).
- ▶ Miele will guarantee to supply functional spare parts for a minimum of 10 years and up to 15 years following the discontinuation of your hob.

### Disposal of the packing material

The packaging is designed to protect the appliance from damage during transportation. The packaging materials used are selected from materials which are environmentally friendly for disposal and should be recycled.

Recycling the packaging reduces the use of raw materials in the manufacturing process and also reduces the amount of waste in landfill sites.

### Disposing of your old appliance

Electrical and electronic appliances often contain valuable materials. They also contain specific materials, compounds and components, which were essential for their correct function and safety. These could be hazardous to human health and to the environment if disposed of with your domestic waste or if handled incorrectly. Please do not, therefore, dispose of your old appliance with your household waste.



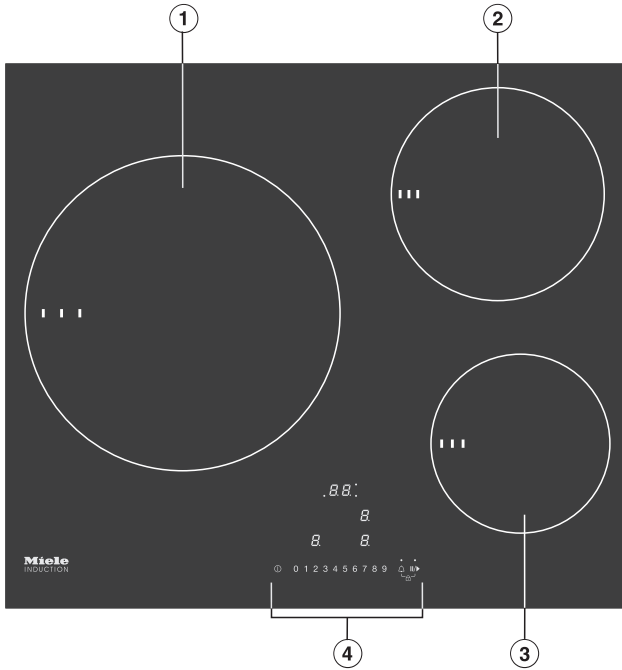
Please dispose of it at your local community waste collection / recycling centre for electrical and electronic appliances, or contact your dealer or Miele for advice. You are also responsible for deleting any personal data that may be stored on the appliance being disposed of. Please ensure that your old appliance poses no risk to children while being stored prior to disposal.

# Guide to the appliance

---

## Hob

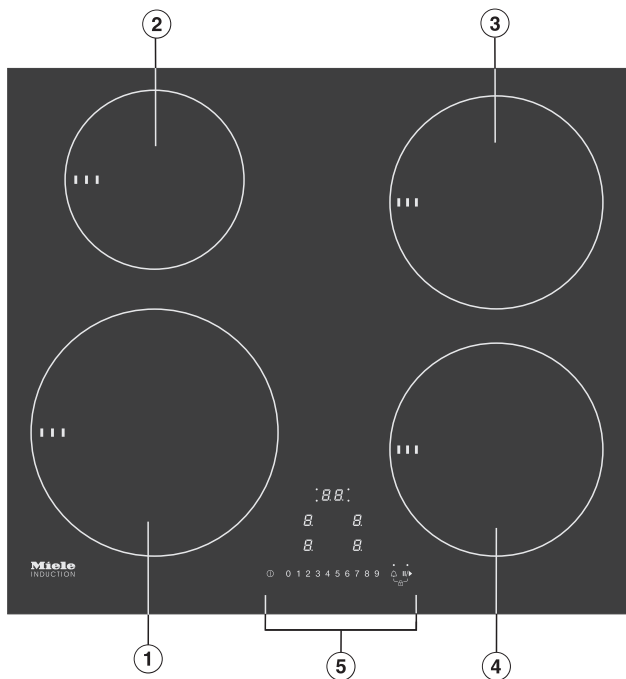
KM 7200 FR



- ① Cooking zone with TwinBooster
- ② Cooking zone with TwinBooster
- ③ Cooking zone with TwinBooster
- ④ Controls and indicators



## KM 7201 FR

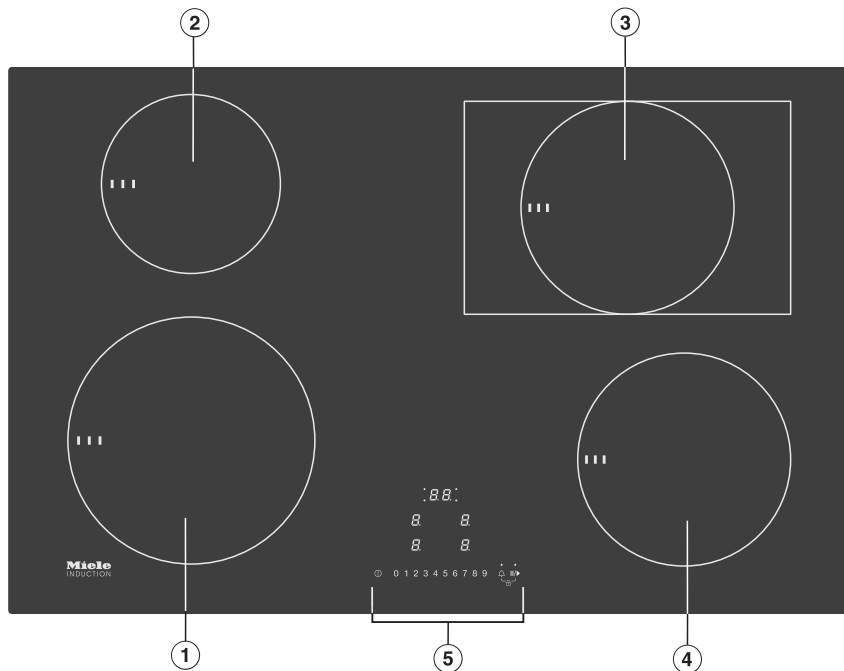


- ① Cooking zone with TwinBooster
- ② Cooking zone with TwinBooster
- ③ Cooking zone with TwinBooster
- ④ Cooking zone with TwinBooster
- ⑤ Controls and indicators

# Guide to the appliance

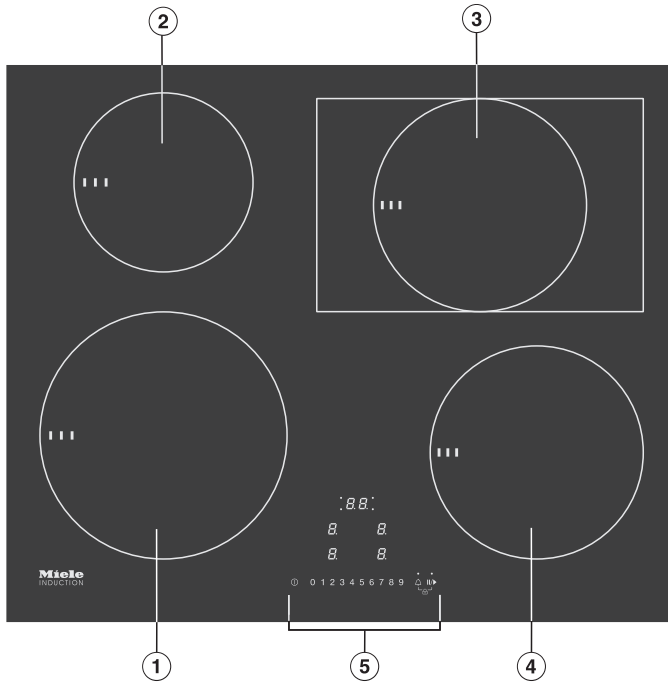
---

KM 7210 FR



- ① Cooking zone with TwinBooster
- ② Cooking zone with TwinBooster
- ③ Extended zone with TwinBooster
- ④ Cooking zone with TwinBooster
- ⑤ Controls and indicators

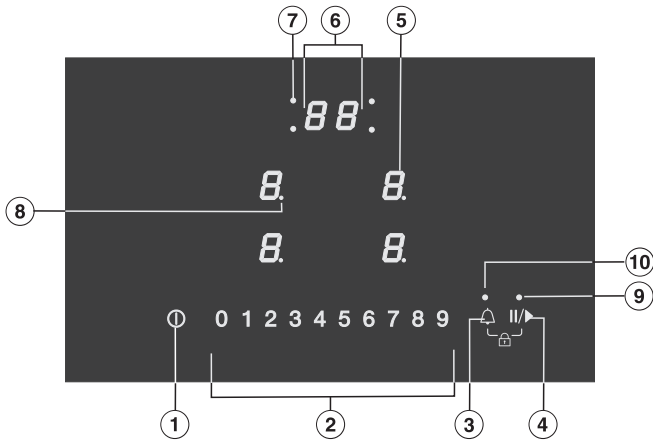
## KM 7262 FR



- ① Cooking zone with TwinBooster
- ② Cooking zone with TwinBooster
- ③ Extended zone with TwinBooster
- ④ Cooking zone with TwinBooster
- ⑤ Controls and indicators

# Guide to the appliance

## Controls and display



### Sensor controls

- ① Hob On/Off
- ② Numerical display
  - To set the power level
  - To set the times
- ③ Timer
  - On/off
  - For switching between timer functions
  - For selecting a cooking zone
- ④ Stop & Go
  - To stop/start a cooking process in progress
- ⑤ Cooking zone selection and display

<i>0</i>	Cooking zone is ready for operation
<i>1 to 9</i>	Power level
<i>∞</i>	Residual heat
<i>A</i>	Auto heat-up
<i>u</i>	Cookware missing or unsuitable
<i>,</i>	TwinBooster level 1
<i>,,</i>	TwinBooster level 2
<i>h</i>	Keeping warm

### Displays/indicator lights

- ⑥ Timer display
  - 00 to 99*      Duration in minutes
  - LL*              System lock/safety lock is activated
  - dE*              Demo mode is activated
- ⑦ Cooking zone allocation auto switch off  
Auto switch off for the cooking zone is activated
- ⑧ Power level – extended setting range
- ⑨ Stop & Go  
Stop & Go function is activated
- ⑩ Timer

# Guide to the appliance

---

## Cooking zones

KM 7200 FR				
Cooking zone	Ø in cm <sup>1</sup>	Max. rating in watts for 230 V <sup>2</sup>	Linked cooking zone <sup>3</sup>	
①	14–28	Normal TwinBooster, level 1 TwinBooster, level 2	2600 3300 5500	② and ③
②	14–19	Normal TwinBooster, level 1 TwinBooster, level 2	1850 2500 3000	①
③	10–16	Normal TwinBooster, level 1 TwinBooster, level 2	1400 1700 2200	①
		Total	7300	

<sup>1</sup> Cookware with a base diameter within the given range may be used.

<sup>2</sup> The power given may vary depending on the size and material of the cookware used.

<sup>3</sup> The cooking zone is linked to this cooking zone electrically so that the rating can be increased; see “Operation – Power management”.

# Guide to the appliance


KM 7201 FR				
Cooking zone	Ø in cm <sup>1</sup>	Max. rating in watts for 230 V <sup>2</sup>		Linked cooking zone <sup>3</sup>
①	16–22	Normal	2300	②
		TwinBooster, level 1	3000	
		TwinBooster, level 2	3650	
②	10–16	Normal	1400	①
		TwinBooster, level 1	1700	
		TwinBooster, level 2	2200	
③	14–19	Normal	1850	④
		TwinBooster, level 1	2500	
		TwinBooster, level 2	3000	
④	14–19	Normal	1850	③
		TwinBooster, level 1	2500	
		TwinBooster, level 2	3000	
		Total	7300	

<sup>1</sup> Cookware with a base diameter within the given range may be used.

<sup>2</sup> The power given may vary depending on the size and material of the cookware used.

<sup>3</sup> The cooking zone is linked to this cooking zone electrically so that the rating can be increased; see “Operation – Power management”.

# Guide to the appliance

KM 7210 FR, KM 7262 FR					
Cooking zone	Size in cm		Max. rating in watts for 230 V <sup>3</sup>		Linked cooking zone <sup>4</sup>
	∅ <sup>1</sup>	 <sup>2</sup>			
①	16–22	–	Normal TwinBooster, level 1 TwinBooster, level 2	2300 3000 3650	②
②	10–16	–	Normal TwinBooster, level 1 TwinBooster, level 2	1400 1700 2200	①
③	14–19	–	Normal TwinBooster, level 1 TwinBooster, level 2	1850 2500 3000	④
	–	19 x 29	Normal TwinBooster, level 1 TwinBooster, level 2	2100 3000 3650	
④	14–19	–	Normal TwinBooster, level 1 TwinBooster, level 2	1850 2500 3000	③
			Total	7300	

<sup>1</sup> Cookware with a base diameter within the given range may be used.

<sup>2</sup> The given range corresponds to the maximum base surface of the cookware that may be used.

<sup>3</sup> The power given may vary depending on the size and material of the cookware used.

<sup>4</sup> The cooking zone is linked to this cooking zone electrically so that the rating can be increased; see “Operation – Power management”.



## Before using for the first time

---

- Please stick the extra data plate for the appliance supplied with this documentation in the space provided in the “After sales service” section of this booklet.
- Remove any protective wrapping and stickers.

### Cleaning the hob for the first time

- Before using for the first time, clean the hob with a damp cloth only and then wipe dry.

### Switching on the hob for the first time

The metal components have a protective coating which may give off a slight smell when heated up for the first time. The induction coils may also give off a slight smell for the first few hours of operation. This smell will be less noticeable with each subsequent use before dissipating completely.

The smell and any vapours given off do not indicate a faulty connection or appliance and they are not hazardous to health.

Please note that the heating up time on induction hobs is very much shorter than on conventional hobs.

## How it works

---

An induction coil is located under each induction cooking zone. The coil creates a magnetic field that reacts directly with the base of the pan and heats it up. The cooking zone itself is heated up indirectly by the heat given off by the pan.

An induction cooking zone only works when cookware with a magnetic base is placed on it (see “Cookware”). Induction automatically recognises the size of the cookware.



**Risk of burning due to hot items.**  
When the appliance is switched on either deliberately or by mistake, or when there is residual heat present, there is the risk of metal items placed on the hob heating up.  
Do not use the appliance as a resting place for anything.  
After use, switch the hob off with the ① sensor control.

## Noises

When using an induction hob, the following noises can occur in the pan, depending on what it is made of and how it has been constructed.

Buzzing on the higher power settings. This will decrease or cease altogether when the power setting is reduced.

If the pan base is made of layers of different materials (e.g. in a sandwiched base), it might emit a crackling sound.

Whistling might occur if linked zones (see “Operation - Booster”) are being used at the same time, and the pans also have bases made of layers of different materials.

You might hear a clicking sound from the electronic switches, especially on lower settings.

A whirring sound, when the cooling fan comes on. This switches on to protect the electronics when the hob is being used intensively. The cooling fan may continue to run after the appliance has been switched off.

## Power management

The hob has a maximum total permitted power consumption which cannot be exceeded for safety reasons. You can reduce the maximum total permitted power consumption, see “Programming”.

Cooking zones can be linked together in pairs on the hob. This allows additional power to be transferred from one cooking zone to another.

The previously set setting has precedence and the hob will operate with this level.

If power is transferred from one cooking zone to the linked cooking zone, the power for the first cooking zone must be reduced.

The possible values for the maximum total permitted power consumption and which cooking zones are linked together can be found in “Overview – Cooking zone data”.

If the new cooking zone requires more power than the first cooking zone can provide, this may result in the following consequences for the first cooking zone:

- The power level is reduced.
- Auto heat-up is deactivated. Cooking continues at the set level. If the power is not sufficient, the power level will be reduced again.
- The Booster function is deactivated.
- The cooking zone is switched off.

If the most recently set power level is reduced or the Booster function is switched off, the power level for the linked cooking zone can be increased again.

# Pans

---

## Suitable pans

- stainless steel pans with a magnetic base
- enamelled steel pans
- cast iron pans

Please be aware that the properties of the pan base can affect the evenness with which the food heats up (e.g. when making pancakes). The base of the pan must be able to distribute the heat evenly. A sandwich base made of stainless steel is particularly suitable.

## Unsuitable pans.

- stainless steel pans without a magnetic base
- aluminium or copper pans
- glass, ceramic or earthenware pots and pans

## Testing pans

To test whether a pan is induction-compatible, hold a magnet to the base of the pan. If the magnet sticks, the pan is generally suitable.

## No pan/unsuitable pan display

The  $\mathcal{U}$  symbol flashes alternately with the power level selected in one of the cooking zone displays

- if the cooking zone has been switched on without a pan in place, or if the pan is unsuitable (non-magnetic base)
- if the diameter of the base of the pan is too small
- if the pan is taken off the cooking zone when it is switched on

If a suitable pan is placed on the cooking zone within 3 minutes,  $\mathcal{U}$  will go out and you can continue as normal.

If no pan or an unsuitable pan is placed on the cooking zone, the cooking zone will switch off automatically after 3 minutes.

## Tips

- To make optimum use of the cooking zones, choose cookware with a suitable base diameter (see “Overview – Cooking zone data”). If the pan is too small it will not be recognised.
- Position the cookware as centrally as possible on the relevant cooking zone/cooking area.
- Use only pots and pans with smooth bases. Rough bases can scratch the ceramic glass.
- Always lift cookware to move it. This will help prevent scratching. If any scratches do appear as a result of cookware being pushed around, this will not affect the function of the hob. These scratches are normal signs of use and are not grounds for making a complaint.

- Please note that the maximum diameter quoted by manufacturers often refers to the diameter of the top rim of the pots and pans. The diameter of the base (generally smaller) is more important.



- Where possible, use pans with vertically straight sides. If a pan has angular sides, induction also acts on the sides of the pan. The sides of the pan may discolour or the coating may peel off.

## Tips on saving energy

---

- Use a lid whenever possible to minimise heat loss.
- Select a smaller pan when cooking small quantities. A smaller pan uses less energy than a larger pan with very little in it.
- Cook with as little water as possible.
- Once food has come to the boil or the oil in the pan is hot enough for frying, reduce the heat to a lower setting.
- Use a pressure cooker to reduce cooking times.

## Setting ranges

The hob is programmed with 9 power levels at the factory. If you wish to fine-tune a setting, you can extend the power level range to 17 power levels (see “Programming”).

	Setting range	
	Factory setting (9 power levels)	Extended setting (17 power levels)
Melting butter Melting chocolate Dissolving gelatine	1–2	1–2.
Warming up small quantities of liquid Keeping warm food which sticks easily Cooking rice or porridge Defrosting vegetables frozen in a block	2–4	2–3.
Warming up liquid and semi-solid food Steaming fruit Simmering potatoes (pans with lids)	4–6	3.–5.
Making omelettes or lightly fried eggs Gently frying patties Steaming fish and vegetables Cooking dumplings and dried pulses Defrosting and warming up frozen food Thickening sauces, e.g. Hollandaise	5–7	4.–7.
Gently frying meat, fish, sausages, eggs (without overheating the fat)	6–8	6–7.
Cooking potato fritters, pancakes, etc.	7–8	7–8.
Boiling large quantities of water Bringing to the boil Flash frying large amounts of meat	9	8.–9

These settings should only be taken as a guide. The power of the induction coils will vary depending on the size and material of the pan. For this reason it is possible that the settings will need to be adjusted slightly to suit your pans. As you use the hob, you will get to know which settings suit your pans best. When using new pans that you are not familiar with, set the power level below the one specified.

# Operation

## Using the appliance

This ceramic hob is equipped with electronic sensor controls which react to finger contact. For safety reasons, in order to switch the appliance on, the On/Off ① sensor needs to be touched for a little longer than the other sensors. Each time a sensor control is activated, an audible signal sounds.

When the hob is switched off, only the printed sensor control symbols and numbers on the keybank are visible. When the hob is switched on, all the other sensors light up as well. More sensors light up when the hob is switched on.

In order to set or alter a power level, the cooking zones must be “active”. To activate a cooking zone, touch the sensor for selecting the relevant cooking zone. The relevant cooking zone indicator will begin to flash when touched. While the indicator is flashing, set or adjust the power level or set a time.

**Exception:** If only one of the cooking zones is in operation, you can alter the power setting without activating the cooking zone.

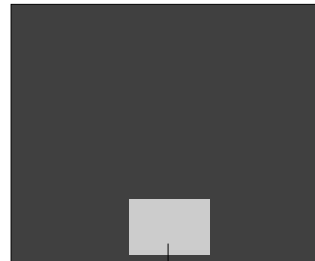
⚠ Malfunction due to dirty and/or covered sensor controls.

If the sensor controls are dirty or covered this could cause them to fail to react, to activate a function or even to switch the appliance off automatically (see “Safety features”, “Safety switch-off”). Placing hot pans on the sensor controls/ indicators can damage the electronic unit underneath.

Keep the sensor controls and indicators clean.

Do not place anything over the sensor control or indicators.


Do not place hot pans over the sensor controls or indicators.



①

① Sensor controls and indicators



 Risk of fire with overheated food. Unattended food can overheat and catch alight. Do not leave the hob unattended whilst it is being used.

Please note that the heating up time on induction hobs is very much shorter than on conventional hobs.

## Switching on the hob

- Touch the ① sensor.

Other sensors will light up.

If no further entry is made, the hob will switch itself off after a few seconds for safety reasons.

## Setting the power level

Permanent pan recognition is activated as standard (see “Programming”). When the hob is switched on and you place a pan on a cooking zone, the cooking zone indicator starts to flash.

- Place the pan on the cooking zone you want to use.

The cooking zone indicator will begin to flash.

- Touch the appropriate sensor control on the numerical keybank for the power level you want.

The power level selected will flash for a few seconds in the cooking zone display and then light up constantly.

## Changing the power level

- Touch the relevant cooking zone display.

The cooking zone display will begin to flash.

- Touch the appropriate sensor control on the numerical keybank for the power level you want.

## Switching off a cooking zone

- To switch a cooking zone off, touch the display for the relevant cooking zone.

The cooking zone display will begin to flash.

- Touch the 0 sensor control on the numerical keybank.
- To switch off the hob and all the cooking zones, touch the ① sensor.

# Operation

---

## Residual heat indicator

If the cooking zone is still hot, the residual heat indicator will light up after it has been switched off.

The bars of the residual heat indicator go out one after the other as the cooking zone cools down. The last horizontal bar only goes out when the cooking zone is safe to touch.



Risk of burning due to hot cooking zones.

The cooking zones will be hot after use.

Do not touch the cooking zones while the residual heat indicators are on.

## Power level setting - Extended setting range

- Touch the numerical keybank in between two number sensors.

The power level selected will flash for a few seconds and then light up constantly. The intermediate setting will be represented by an illuminated dot next to the number.

## Auto heat-up

When Auto heat-up has been activated, the cooking zone switches on automatically at the highest setting and then switches to the continued cooking setting which you have previously selected. The heat-up time depends on which continued cooking setting has been chosen (see chart).

### Activating Auto heat-up

- Briefly touch the display for the required cooking zone.
- Touch the sensor for the continued cooking setting you want until a tone sounds and *H* lights up in the cooking zone display.

The *H* symbol flashes alternately with the power setting selected in the cooking zone display during the heat-up time (see chart).

Changing the continued cooking setting while the cooking zone is heating up deactivates Auto heat-up.

### Deactivating Auto heat-up

- Briefly touch the display for the required cooking zone.
- Touch the continued cooking setting you have set until the *H* goes out.

or

- Set another power level.

Continued cooking setting*	Heat-up time [min : sec]
1	Approx. 0:15
1.	Approx. 0:15
2	Approx. 0:15
2.	Approx. 0:15
3	Approx. 0:25
3.	Approx. 0:25
4	Approx. 0:50
4.	Approx. 0:50
5	Approx. 2:00
5.	Approx. 5:50
6	Approx. 5:50
6.	Approx. 2:50
7	Approx. 2:50
7.	Approx. 2:50
8	Approx. 2:50
8.	Approx. 2:50
9	—

\* The continued cooking settings with a dot after the number are only available if the power level range has been extended (see "Programming").

# Operation

---

## Booster function

The cooking zones are equipped with a Booster or TwinBooster (see “Guide to the appliance – Hob”).

When the Booster function is activated, the power is boosted so that large quantities can be heated up quickly, e.g. when boiling water for cooking pasta. The boost in power is active for a maximum of 15 minutes.

When the Booster function is activated, the settings for active cooking zones may be changed, see “Induction – Power management”.

The Booster function can be used on a maximum of 2 cooking zones or 1 PowerFlex cooking area at the same time.

The cooking zone will automatically revert to power level 9 at the end of the booster time.

## Activating TwinBooster

### Level 1

- Touch the sensor control for the cooking zone you wish to use.
- Touch the 9 sensor control on the numerical keybank twice.

, will appear in the cooking zone display.

### Level 2

- Touch the sensor control for the cooking zone you wish to use.
- Touch the 9 sensor control on the numerical keybank three times.

// will appear in the cooking zone display.

## Deactivating TwinBooster

- Touch the sensor control for the cooking zone you wish to use.
- Set another power level.

## Keeping warm

This function is for keeping food warm which has just been cooked and is still hot. It is not for reheating food that has gone cold.

The maximum duration for keeping food warm is 2 hours.

- Only use pans for keeping food warm. Cover the pan with a lid.
- Stir firm or viscous food (mashed potatoes, stew) occasionally.
- Nutrients are lost when food is cooked, and continue to diminish when food is kept warm. The longer food is kept warm, the greater the loss of nutrients. Try to ensure that food is kept warm for as short a time as possible.

## Setting the keeping warm function

- Touch the sensor control for the cooking zone you wish to use.
- Touch the numerical keybank in between sensor controls 0 and 1.

*h* will appear in the cooking zone display.

# Timer

---

The hob has to be switched on if you want to use the timer.

The timer can be used for the following 2 functions:

- For setting the minute minder
- For automatically switching a cooking zone off

You can use the functions simultaneously.

A duration of between 1 min (01) and 99 min (99) can be set.

Durations are entered in the order of minutes in tens and then units.

Durations are entered using the numerical display.

Examples:

59 minutes = entry: 5-9

80 minutes = entry: 8-0

After the first number has been entered, the timer display will light up constantly. After the second number has been entered, the first number will move to the left.


## Minute minder

### Setting the minute minder

- Touch the  sensor control.

The timer display flashes.

- Set the required duration.

Touch the  sensor control or wait 10 seconds to start the minute minder.

### Changing the minute minder duration

- Touch the  sensor control.

The timer display flashes.

- Set the required duration.

### Deleting the minute minder duration

- Touch the  sensor control.

- Touch the  on the numerical display.

## Auto switch off

You can set a time after which a cooking zone will switch off automatically. This function can be used for all cooking zones at the same time.

If the time programmed is longer than the maximum operating time allowed, the cooking zone will be switched off by the safety switch-off function (see "Safety features – Safety switch-off").

## Setting the switch-off time

- Select a power level for the cooking zone you require.
- Touch the  $\Delta$  sensor control repeatedly until the allocation indicator light for this cooking zone starts to flash.

If several cooking zones are being used, the indicator lights flash in a clockwise direction, starting with the front left zone.

The cooking zone allocation auto switch off for this cooking zone flashes.

- Set the required duration.

Touch the  $\Delta$  sensor control or wait 10 seconds to start the switch-off time.

The indicator light for the cooking zone will light up constantly.

- To set a switch-off time for another cooking zone, follow the same steps as described above.

If more than one switch-off time is programmed, the shortest time left will be displayed, and the corresponding indicator light will pulsate. The other indicator lights will light up constantly.

- If you want to show the time left for another cooking zone which is counting down in the background, touch the  $\Delta$  sensor control repeatedly until the indicator light for the zone you require flashes.

## Changing the switch-off time

- Touch the  $\Delta$  sensor control repeatedly until the indicator light for the cooking zone you require pulsates.

The timer display flashes.

- Set the required duration.

## Deleting the switch-off time

- Touch the  $\Delta$  sensor control repeatedly until the indicator light for the cooking zone you require pulsates.

The timer display flashes.


- Touch  $\bar{0}$  on the numerical display.

# Timer


---

## Using both timer functions at the same time

If you have programmed in one or more switch-off times, and would like to use the minute minder as well:


- Touch the  sensor control repeatedly until the indicator lights of the programmed cooking zones light up constantly and *00* starts flashing in the timer display.
- Set the time as described above.

If you have set the minute minder and would like to programme in one or more switch-off times as well:

- Touch the  sensor control repeatedly until the indicator light for the cooking zone you require pulsates.
- Set the time as described above.

Shortly after the last entry, the timer display switches to the function with the shortest time left.

If you want to show the times left counting down in the background:

- Touch the  sensor control repeatedly until
  - The indicator light for the desired cooking zone pulsates (auto switch off)
  - The timer display pulsates (minute minder)

Starting with the shortest duration, the display will show the time left for all active cooking zones and for the minute minder in a clockwise direction.



### Stop & Go

When Stop & Go is activated, the power of all cooking zones in use is reduced to power level 1.

The cooking zone power levels and the timer settings cannot be altered; the hob can only be switched off. The minute minder, switch-off, Booster and heat-up times continue to run.

When Stop & Go is deactivated, the cooking zones will operate at the power level previously selected.

If the function is not deactivated within 1 hour, the hob will switch off.

### Activating/Deactivating

- Touch the II/▶ sensor control.

Use this function when the sensors need to be cleaned quickly or there is a risk of boiling over.

### Recall

If the hob is switched off by mistake during use, this function can be used to reset all settings. For this to work, the hob must be switched on again within 10 seconds of being switched off.

- Switch the hob on again.
- Immediately after switching the hob on, touch one of the flashing cooking zone sensor controls.

# Additional functions

---

## Demonstration mode

This function enables the hob to be demonstrated in showrooms without heating up.

### Activating/deactivating demonstration mode

- Switch the hob on.
- Touch and hold the 0 and 2 sensor controls on the numerical keybank at the same time for 6 seconds.

In the timer display, *dE* flashes alternately with *Dn* (demonstration mode activated) or *DF* (demonstration mode deactivated) for a few seconds.

## Displaying hob data

The model number and software version of the hob can be displayed. There must not be any pots or pans on the hob.

### Model number/Serial number

- Switch the hob on.
- Touch and hold the 0 and 4 sensor controls on the numerical keybank at the same time for 6 seconds.

Numbers will appear, one after the other, in the timer display separated by a dash.

Example: *12 34* (Model number KM 1234) – *1 23 45 67 89* (Serial number)

### Software version

- Switch the hob on.
- Touch and hold the 0 and 3 sensor controls on the numerical keybank at the same time for 6 seconds.

Numbers will flash on and off, one after the other, in the timer display:

Example: *12* flashing alternately with *3* = Software version 123

## System lock / Safety lock

Your hob is equipped with a system lock and a safety lock to prevent the hob and the cooking zones being switched on or any settings being altered by mistake.

The **system lock** is activated when the hob is switched off. If the system lock is activated, the hob cannot be switched on and the timer cannot be used. A set minute minder time continues to count down. The hob is programmed so that the system lock must be activated manually. The system lock can be programmed to be activated automatically 5 minutes after the hob has been switched off (see “Programming”).

The **safety lock** is activated when the hob is switched on. When the lock is activated, the hob can be operated only under certain conditions:

- The cooking zones and the hob can only be switched off.
- A set minute minder time can be modified.

If an unavailable sensor control is touched whilst the system lock or safety lock is activated, *LL* will appear in the timer display for few seconds and a tone will sound.

## Activating the system lock

- Touch the  sensor for 6 seconds.



The seconds can be seen counting down in the timer display. When this time has elapsed *LL* will appear in the timer display. The system lock has been activated.

## Deactivating the system lock

- Touch the  sensor for 6 seconds.



*LL* will appear briefly in the timer display and then the seconds will be seen counting down. The system lock is deactivated once the time has elapsed.

## Activating the safety lock

- Touch and hold the  and  sensors at the same time for 6 seconds.

The seconds can be seen counting down in the timer display. When this time has elapsed *LL* will appear in the timer display. The safety lock is activated.

## Deactivating the safety lock

- Touch and hold the  and  sensors at the same time for 6 seconds.

*LL* will appear briefly in the timer display and then the seconds will be seen counting down. Once the time has elapsed, the lock function is deactivated.

# Safety features

## Safety switch-off

### Safety switch-off if the sensors are covered

Your hob will switch off automatically if one or several of the sensors remain covered for longer than 10 seconds, for example, by finger contact, food boiling over or by an object such as an oven glove or tea towel. *F* will appear in the timer display for a few seconds. If the ① sensor is affected, *F* will light up until the object or soiling has been removed.

*F* will go out once you have removed the object or cleaned the hob and the hob will be ready to use again.

### Excessive operating time

The safety switch-off mechanism is triggered automatically if a cooking zone is heated for an unusually long period of time. This time depends on the power level selected. If it has been exceeded, the cooking zone switches off and the residual heat indicator appears. If you switch the cooking zone on and off again, it is ready for operation again.

The hob is programmed to safety setting 0 at the factory. If necessary, a higher safety setting with a shorter maximum operating time can be set (see chart).

Power level*	Maximum operating time [h:min]		
	Safety setting		
	0**	1	2
1	10:00	8:00	5:00
1.	10:00	7:00	4:00
2/2.	5:00	4:00	3:00
3/3.	5:00	3:30	2:00
4/4.	4:00	2:00	1:30
5/5.	4:00	1:30	1:00
6/6.	4:00	1:00	0:30
7/7.	4:00	0:42	0:24
8	4:00	0:30	0:20
8.	4:00	0:30	0:18
9	1:00	0:24	0:10

\* The power levels with a dot after the number are only available if the power level range has been extended (see "Setting range").

\*\* Factory default setting

## Overheating protection

All the induction coils and heat sinks for the electronic module are fitted with an overheating protection mechanism.

Before the induction coils or heat sinks get too hot, the overheating protection mechanism intervenes in one of the following ways:

### Induction coils

- Any Booster function in operation will be switched off.
- The set power level will be reduced.
- The cooking zone turns off automatically. *Er* will flash alternately with *44* in the timer display.

You can use the cooking zone again as usual when the fault message has gone out.

### Heat sinks

- Any Booster function in operation will be switched off.
- The set power level will be reduced.
- The cooking zones switch off automatically.

The affected cooking zones can only be used again as usual once the cooling element has cooled down to a safe level.

The overheating protection may be activated under the following circumstances:

- The cookware being heated is empty.
- Fat or oil is being heated on a high power level.
- There is insufficient ventilation to the underside of the hob.
- A hot cooking zone is switched back on after an interruption to the power supply.

If, despite removing the cause, the overheating protection mechanism triggers again, contact customer service.

# Programming

---

You can adapt the programming of the hob to your personal needs. Several settings can be altered in succession.

After accessing programming mode, **P** (Programme) and **C** (Code) will appear in the timer display, and the indicators for 2 cooking zones.

The programme is shown in the left hand cooking zone display, and the code in the right hand cooking zone display. From programme stage 10 the numbers appear alternately: **1** flashes alternately with **0**.

## Changing the programming

### Accessing programming mode

- With the hob **switched off** press both the **⓪** and **II/▶** sensor controls, until **P****C** appears in the timer display and 2 cooking zone displays light up.

### Setting the programme

- First touch the **left-hand** cooking zone display and then touch the relevant number on the numerical keybank.

A dot will start to flash next to the number.

- Whilst the dot is flashing, press the relevant number(s) on the numerical keybank for the programme number.

### Setting the code

- First touch the **right-hand** cooking zone display and then touch the relevant number on the numerical keybank.

A dot will start to flash next to the number.

- Whilst the dot is flashing, press the relevant number(s) on the numerical keybank for the code.

### Saving the settings

- Touch the **⓪** sensor control until the indicators go out.

# Programming

Programme <sup>1</sup>		Code <sup>2</sup>	Settings
1	Demo mode	0	Demo mode off
		1	Demo mode on <sup>3</sup>
2	Power management <sup>4</sup>	0	Off
		1	3680 W
		2	3000 W
		3	2000 W
		4	1000 W
3	Factory default setting	0	Do not restore factory default settings
		1	Restore factory default settings
4	Number of cooking zone power levels	0	9 power levels + Booster
		1	17 power levels + Booster <sup>5</sup>
6	Audible tone when a sensor control is touched	0	Off <sup>6</sup>
		1	Quiet
		2	Medium
		3	Loud
7	Timer buzzer	0	Off
		1	Quiet
		2	Medium
		3	Loud
8	System lock	0	System lock can only be activated manually
		1	System lock activated automatically
9	Maximum operating time	0	Safety setting 0
		1	Safety setting 1
		2	Safety setting 2
12	Sensor controls reaction speed	0	Slow
		1	Normal
		2	Fast

# Programming

---

Programme <sup>1</sup>		Code <sup>2</sup>	Settings
<b>15</b>	Permanent pan recognition	<b>0</b>	Permanent pan recognition off
		<b>1</b>	Permanent pan recognition on

<sup>1</sup> Unlisted programmes are not assigned.

<sup>2</sup> The factory-set code is shown in bold.

<sup>3</sup> After the hob has been switched on *dE* appears in the timer display for a few seconds.

<sup>4</sup> The total hob power may be reduced in order to meet the local power supply provider's requirements.

<sup>5</sup> In the text and charts, the extended power levels are shown with a dot after the number for better understanding.

<sup>6</sup> The audible tone for the On/Off sensor control cannot be switched off.



## Note for test institutes

---

### Test food acc. to EN 60350-2

9 power levels are programmed at the factory.

For testing in accordance with the above standard, programme the hob to the extended power level setting.

Test food	Ø Pan base (mm)	Lid	Power level	
			Pre-heat	Cooking
Heating oil up	150	No	–	1–2
Pancakes	180 (Sandwich base)	No	9	5.–7.
Frying deep frozen chips	According to the standard	No	9	9

## Cleaning and care

---



Risk of burning due to hot cooking zones.

The cooking zones will be hot after use.

Switch the hob off.

Allow the cooking zones to cool down before cleaning the hob.



Risk of damage due to moisture ingress.

The steam from a steam cleaning appliance could reach live electrical components and cause a short circuit.

Do not use a steam cleaner to clean the hob.

All surfaces could be discoloured or damaged if unsuitable cleaning agents are used. All surfaces are susceptible to scratching.

Remove all cleaning agent residues immediately.

Never use abrasive sponges or cleaning agents.


- Clean the hob after every use.
- Dry the hob thoroughly after cleaning with water to avoid limescale residue.

### Unsuitable cleaning agents

To avoid damaging the surfaces of the appliance, do not use:

- washing-up liquid
- cleaning agents containing soda, alkalines, ammonia, acids or chlorides
- cleaning agents containing descaling agents
- stain and rust removers
- abrasive cleaning agents, e.g. powder cleaners and cream cleaners
- solvent-based cleaning agents
- dishwasher cleaner
- oven sprays
- glass cleaning agents
- hard, abrasive brushes or sponges (e.g. pot scourers) or sponges which have been previously used and still contain abrasive cleaning agents
- melamine eraser blocks

## Cleaning the ceramic surface

 Risk of damage by pointed objects.

The seal between the hob and the worktop could suffer damage.

The seal between the ceramic surface and the frame could suffer damage.

Do not use pointed objects for cleaning.


Not all soiling and residues can be removed using a solution of washing-up liquid. An invisible film can develop that can lead to discolouration of the glass ceramic surface. This discolouration cannot be removed.

Clean the ceramic surface regularly with a proprietary ceramic glass cleaning agent.

- Remove any coarse soiling with a damp cloth and more stubborn soiling with a shielded scraper blade suitable for use on glass.
- Then clean the ceramic glass surface with the Miele ceramic and stainless steel hob cleaner (see “optional accessories”) or with a proprietary ceramic glass cleaner applied with kitchen paper or a clean cloth. Do not apply the cleaner while the hob is still hot, as this can result in marking. Please follow the cleaning agent manufacturer's instructions.
- Finally wipe the glass ceramic surface with a damp cloth and polish with a soft, dry cloth.

Residues can burn onto the hob the next time it is used and cause damage to the glass ceramic surface. Ensure that all cleaning agent residues are removed.

- **Spots** caused by limescale, water and aluminium residues (spots with a metallic appearance) can be removed using Miele's ceramic and stainless steel hob cleaner.

 Risk of burning due to hot cooking zones.

The cooking zones are hot during use.

Wear oven gloves when removing residues of sugar, plastic or aluminium foil from a hot ceramic surface with a shielded scraper blade.

- Should any **sugar, plastic or aluminium foil** spill or fall onto the hot ceramic surface while it is in use, switch off the cooking zone.
- Then carefully scrape off these residues **immediately** whilst they are still hot, using a scraper blade suitable for use on glass.
- Afterwards, clean the ceramic surface in its cooled state, as described above.

## Problem solving guide

---

Many malfunctions and faults that can occur in daily operation can be easily remedied. Time and money will be saved because a service call will not be needed.

The following guide may help you to find the reason for a malfunction or a fault, and to correct it.

### Messages in the display

Problem	Cause and remedy
<b>In the cooking zone display, the <math>\mathcal{U}</math> symbol will flash alternately with the selected power level or <math>\mathcal{R}</math>.</b>	An unsuitable pan has been placed on the hob. ■ Use suitable pans (see “Pans” in the “Induction” chapter).
<b>After the hob has been switched on <math>\mathcal{L}\mathcal{L}</math> appears in the timer display for a few seconds.</b>	The system lock or safety lock is activated. ■ Deactivate the system lock or safety lock (see “System lock / Safety lock”).
<b>After the hob has been switched on <math>\mathcal{d}\mathcal{E}</math> appears in the timer display briefly. The cooking zones do not heat up.</b>	The hob is in demonstration mode. ■ Touch the 0 and 2 sensor controls at the same time until $\mathcal{d}\mathcal{E}$ flashes alternately with $\mathcal{D}\mathcal{F}$ in the timer display.
<b><math>\mathcal{F}</math> flashes in the timer display and the hob switches off automatically.</b>	One or more of the sensor controls are covered, e.g. by finger contact, food boiling over or an object. ■ Clean off any dirt and/or remove the object (see “Safety switch-off”).
<b><math>\mathcal{E}\mathcal{r}</math> will flash alternately with <math>\mathcal{4}\mathcal{4}</math> in the timer display.</b>	The overheating protection mechanism has been activated. ■ See “Safety features – Overheating protection”.
<b><math>\mathcal{E}\mathcal{r}</math> will flash alternately with <math>\mathcal{4}\mathcal{7}</math>, <math>\mathcal{4}\mathcal{8}</math> or <math>\mathcal{4}\mathcal{9}</math> in the timer display.</b>	The fan is blocked or defective. ■ Make sure it has not been blocked by an object. ■ Remove the obstruction. ■ If this fault message continues to appear in the display, contact the Customer Service Department.

## Problem solving guide

Problem	Cause and remedy
<b>A message not listed in this table is appearing in the timer display.</b>	<p>There is an electronic module fault.</p> <ul style="list-style-type: none"><li>■ Disconnect the power supply to the hob for approx. 1 minute.</li><li>■ If the problem persists after power has been restored, please contact the Customer Service Department.</li></ul>

### Unexpected behaviour

Problem	Cause and remedy
<b>Power level 9 is automatically reduced if you also set power level 9 for the connected cooking zone.</b>	<p>Operating both zones at power level 9 exceeds the permitted maximum power for the two zones.</p> <ul style="list-style-type: none"><li>■ Use a different cooking zone.</li></ul>
<b>A cooking zone switches off automatically.</b>	<p>It has been operated for too long.</p> <ul style="list-style-type: none"><li>■ You can use the cooking zone again by switching it back on (see “Safety switch-off”).</li></ul>
<b>The cooking zone is not working in the usual way on the power setting selected.</b>	<p>The overheating protection mechanism has been activated.</p> <ul style="list-style-type: none"><li>■ See “Safety features”.</li></ul>
<b>A cooking zone or the whole hob switches off automatically.</b>	<p>The overheating protection mechanism has been activated.</p> <ul style="list-style-type: none"><li>■ See “Safety features”.</li></ul>
<b>The Booster has deactivated early automatically.</b>	<p>The overheating protection mechanism has been activated.</p> <ul style="list-style-type: none"><li>■ See “Safety features”.</li></ul>

# Problem solving guide

---

## Unsatisfactory results

Problem	Cause and remedy
<b>The food in the pan does not heat up when the Auto heat-up function is switched on.</b>	A large amount of food is being heated up. ■ Start cooking at the highest power level and then turn down to a lower one manually later on.
	The pan is not conducting heat properly. ■ Use a different pot or pan which conducts heat properly.

## General problems or technical faults

Problem	Cause and remedy
<b>The hob or cooking zones will not switch on.</b>	There is no power to the hob. ■ Check whether the mains fuse has tripped. Contact an electrician or Miele Service (for the minimum fuse rating, see data plate).
	There may be a technical fault. ■ Disconnect the appliance from the mains electricity supply for approx. 1 minute by – tripping the relevant mains fuse or screwing the fuse out completely, or – switching off at the residual current device. ■ If, after resetting the trip switch in the mains fuse box or the residual current current device, the appliance will still not turn on, contact a qualified electrician or Miele Service.
<b>A smell and vapours are given off when the new appliance is being used.</b>	The metal components have a protective coating. When the appliance is used for the first time, this causes a smell and possibly also vapour. The material from which the induction coils are made also gives off a smell in the first few hours of operation. With each subsequent use, the odour is reduced until it disappears completely. The smell and any vapours given off do not indicate a faulty connection or appliance and they are not hazardous to health.
<b>An operating noise can be heard after the appliance has been switched off.</b>	The cooling fan runs until the hob has cooled down and then switches off automatically.

Miele offer a comprehensive range of useful accessories as well as cleaning and conditioning products for your Miele appliances.

These products can be ordered through the Miele Webshop.

They can also be ordered from Miele (see end of this booklet for contact details) or from your Miele dealer.

### Cookware

Miele offers a wide range of cookware. These have all been optimised for Miele appliances in terms of functionality and dimensions. Detailed information is provided on the Miele website.

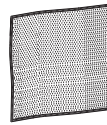
### Cleaning and care products

#### Ceramic and stainless steel hob cleaner 250 ml



Removes heavy soiling, limescale deposits and aluminium residues

#### Microfibre cloth



Removes finger marks and light soiling

## After sales service

---

### Contact in the event of a fault

In the event of any faults which you cannot remedy yourself, please contact your Miele dealer or the Miele Customer Service Department.

You can book a Miele Customer Service Department call-out online at [www.miele.com/service](http://www.miele.com/service).

Contact information for the Miele Customer Service Department can be found at the end of this document.

Please quote the model identifier and serial number of your appliance (Fabr./SN/ Nr.) when contacting the Miele Customer Service Department. This information can be found on the data plate.

Please note that telephone calls may be monitored and recorded for training purposes and that a call-out charge will be applied to service visits where the problem could have been resolved as described in this booklet.

### Data plate

Stick the extra data plate supplied with the appliance here. Make sure that the model number matches the one specified on the back cover of this document.




### Warranty


For information on the appliance warranty specific to your country please contact Miele. See back cover for address.


In the UK, your appliance warranty is valid for 2 years from the date of purchase. However, you must activate your cover by calling 0330 160 6640 or registering online at [www.miele.co.uk](http://www.miele.co.uk).



## Safety instructions for installation

 Risk of damage from incorrect connection.  
Incorrect installation can cause damage to the hob.  
The hob must only be installed by a qualified person.

 Risk of electric shock from mains voltage.  
Incorrect connection to the mains supply may result in an electric shock.  
The hob must be connected to the electrical supply by a qualified electrician only.

 Damage from falling objects.  
Take care not to damage the hob when fitting wall units or a cooker hood above it.  
Fit the wall units and the cooker hood before the hob.

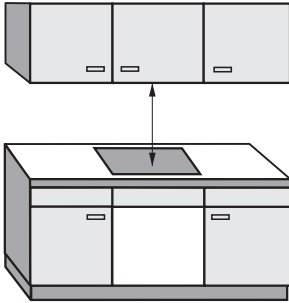
- ▶ The veneer or laminate coatings of worktops (or adjacent kitchen units) must be treated with 100 °C heat-resistant adhesive which will not dissolve or distort. Any backmoulds must be of heat-resistant material.
- ▶ The hob must not be installed over a fridge, fridge-freezer, freezer, dishwasher, washing machine, washer-dryer or tumble dryer.
- ▶ This hob must not be installed above ovens or cookers unless these have a built-in cooling down fan.
- ▶ After installation, ensure that nothing can come into contact with the connection cable and that it is without hindrance.
- ▶ The electrical cable may not come into contact with any moving kitchen component (e.g. a drawer) or be subject to mechanical obstruction which could damage it.
- ▶ Observe carefully the safety clearances listed on the following pages.

# Installation

---

## Safety distances

### Safety distance above the hob



The safety distance specified by the manufacturer of the cooker hood must be maintained between the hob and the cooker hood above it.

If combustible objects are installed above the hob (e.g., cabinets, utensil rail, etc.), a minimum safety distance of 500 mm must be maintained.

When two or more appliances which have different safety distances are installed together below a cooker hood, you should observe the greatest specified safety distance.

## Safety distances to the sides and back of the appliance

It is advisable to install the hob with plenty of space either side of it.

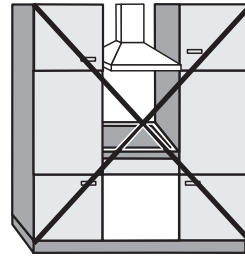
The minimum distance ① shown below must be maintained between the back of the hob and a tall unit or wall.

The minimum distance ②, ③ shown below must be maintained between a tall unit or a wall to the left or right of the hob with a minimum distance of 300 mm on the opposite side.

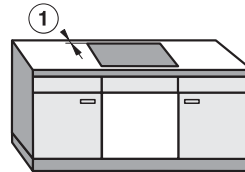
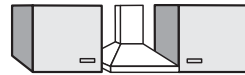
① Minimum distance between the **back** of the worktop cut-out and the rear edge of the worktop:  
50 mm

② Minimum distance between the worktop cut-out and a wall or tall unit to the **right** of it:  
50 mm.

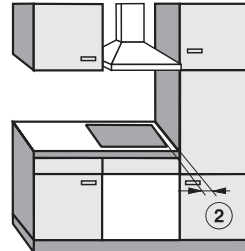
③ Minimum distance between the worktop cut-out and a wall or tall unit to the **left** of it:  
50 mm.



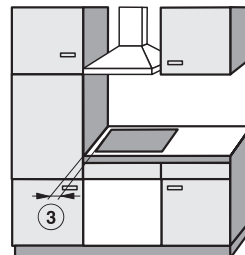
Not allowed



Highly recommended



Not recommended



Not recommended

# Installation

---

## Minimum safety distance underneath the hob

To ensure sufficient ventilation to the hob, a minimum safety distance must be left between the underside of the hob and any oven, intermediate shelf or drawer.

The minimum safety distance between the underside of the hob and

- Upper edge of oven: 15 mm
- Upper edge of intermediate shelf: 15 mm
- Upper edge of drawer: 5 mm
- Base of drawer: 75 mm

## Intermediate shelf

It is not necessary to fit an intermediate shelf underneath the hob, but one may be fitted if you wish.

Leave a gap of 10 mm at the back between the cabinet and the intermediate shelf to **accommodate the power cable**.

A gap of 20 mm is recommended at the front between the cabinet and intermediate shelf for better **ventilation** of the hob.

## Safety distance when installing the appliance near a wall with additional niche cladding

A minimum safety distance must be maintained between the worktop cut-out and any niche cladding to protect it from heat damage.

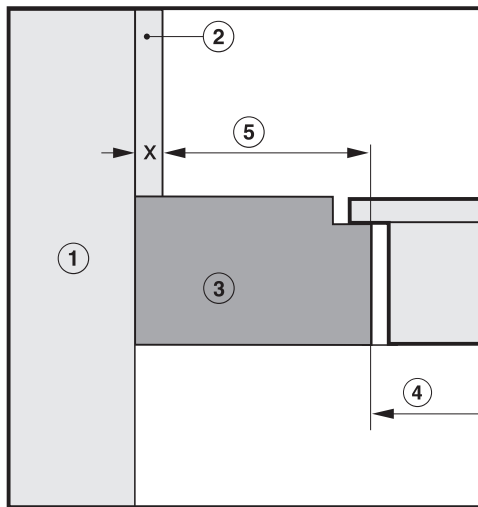
If the niche cladding is made from a combustible material (e.g. wood) a minimum safety distance ⑤ of 50 mm must be maintained between the cut-out and the cladding.

If the niche cladding is made from a non-combustible material (e.g. metal, natural stone, ceramic tiles) the minimum safety distance ⑤ between the cut-out and the cladding will be 50 mm less the thickness of the cladding.

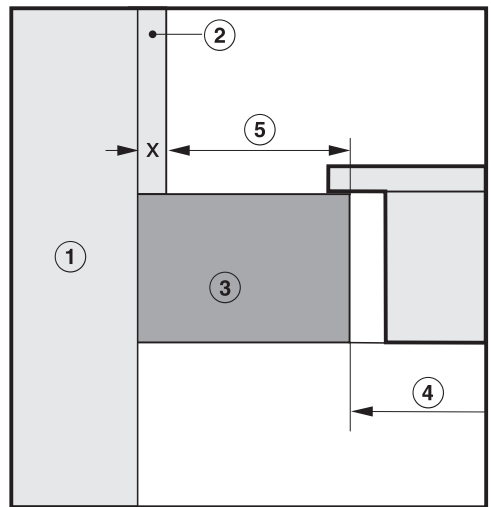
Example: 15 mm niche cladding

50 mm - 15 mm = minimum safety distance of 35 mm

### Flush-fitted hobs



### Hob with frame or bevelled edge

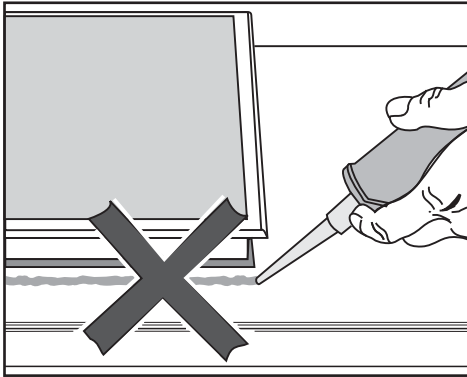



- ① Masonry
- ② Niche cladding dimension  $x$  = thickness of the niche cladding material
- ③ Worktop
- ④ Worktop cut-out
- ⑤ Minimum distance to  
**combustible** materials 50 mm  
**non-combustible** materials 50 mm - dimension  $x$

# Installation

## Installation notes

### Seal between the hob and the worktop



 Damage caused by incorrect installation.

Using sealant under the hob could result in damage to the hob and the worktop if the hob ever needs to be removed for servicing.

Do not use sealant between the hob and the worktop.

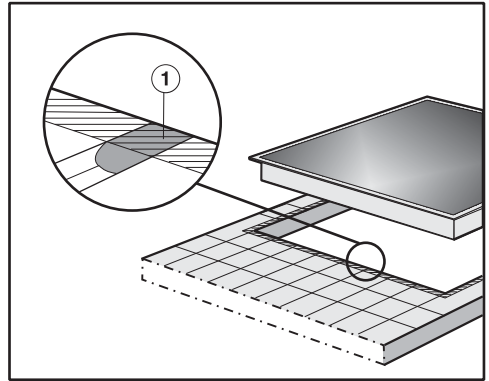
The sealing strip under the edge of the hob provides a sufficient seal for the worktop.

### Sealing strip

Dismantling the hob for service purposes may damage the sealing strip underneath the edge of the hob.

Always replace the sealing strip before reinstalling the hob.

### Tiled worktops

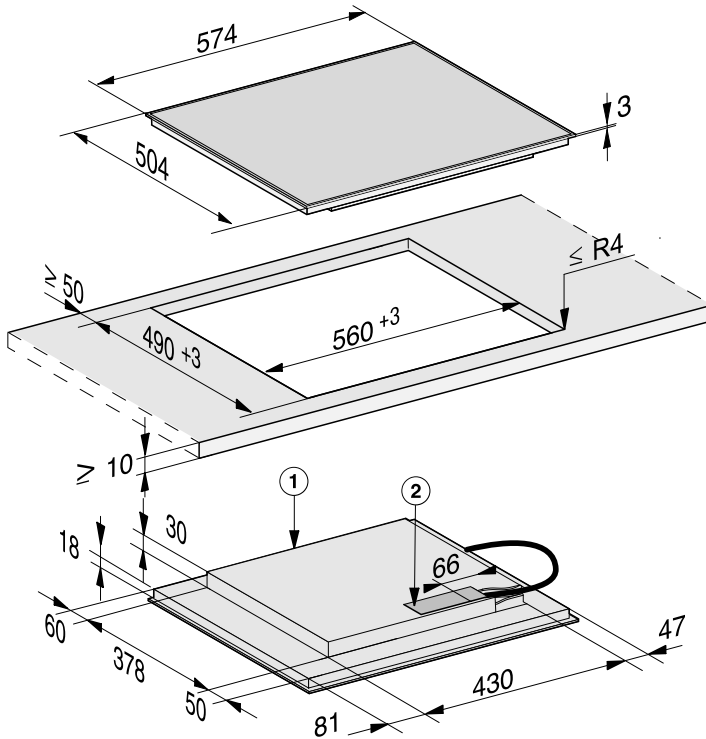


Grout lines ① and the hatched area underneath the hob frame must be smooth and even. If they are not the hob will not sit flush with the worktop and the sealing strip underneath the hob will not provide a good seal between the hob and the worktop.

## Building-in dimensions

All dimensions are given in mm.

### KM 7200 FR



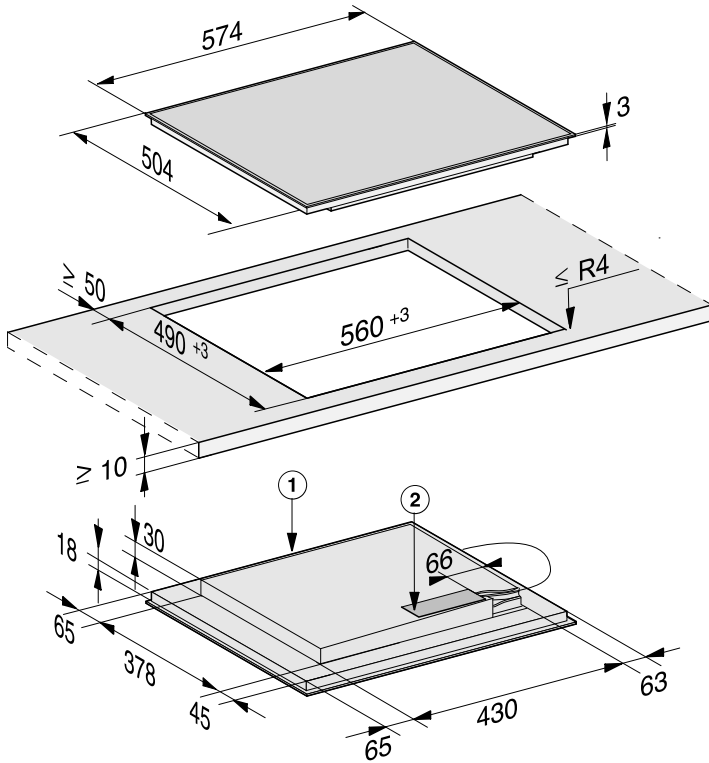
① Front

② Mains connection box

The mains connection cable (L = 1440 mm) is supplied loose

# Installation

## KM 7201 FR



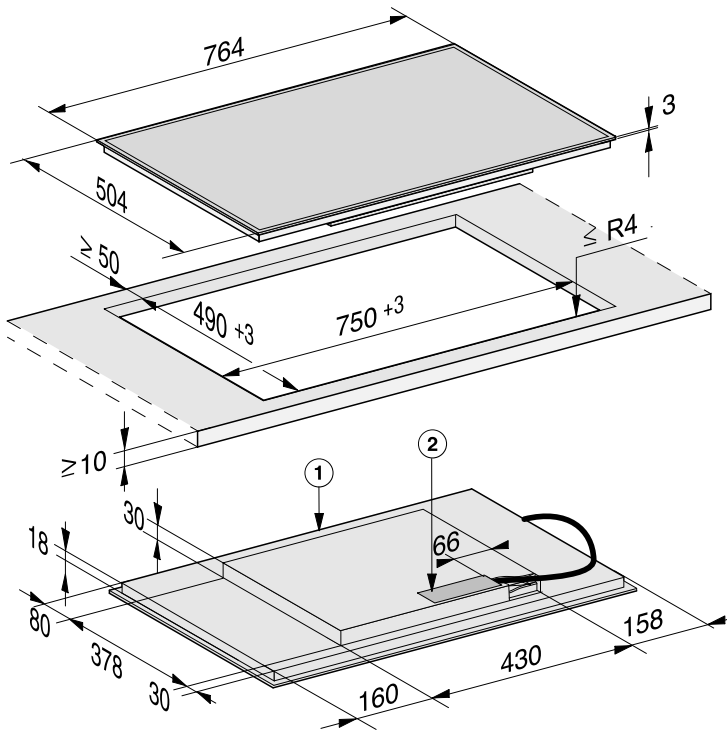
① Front

② Mains connection box

The mains connection cable (L = 1440 mm) is supplied loose



## KM 7210 FR



① Front

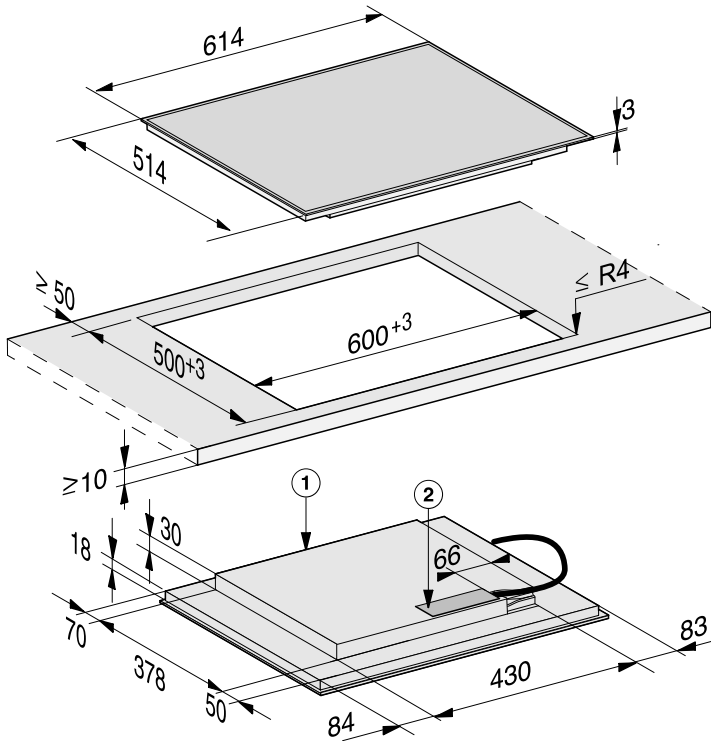
② Mains connection box

The mains connection cable (L = 1440 mm) is supplied loose

# Installation

---

KM 7262 FR



① Front

② Mains connection box


The mains connection cable (L = 1440 mm) is supplied loose

## Installation

- Create the worktop cut-out.  
Remember to maintain the minimum safety distances (see “Installation – Safety distances”).
- Seal any cut surfaces on **wooden worktops** with a special varnish, silicone sealant or resin to prevent the wood from swelling as a result of moisture ingress. The sealant must be heat-resistant.

Make sure that the sealant does not come into contact with the top of the worktop.

- Stick the supplied sealing strip under the edge of the hob. Do not apply the sealing strip under tension.

 Risk of damage from incorrect connection.

The hob electronics may be damaged if a short-circuit occurs.  
The power cable must be connected to the hob by a qualified electrician.

- Connect the power cable by following the instructions in the wiring diagram on the hob (see “Installation – Electrical connection”).
- Feed the power cable for the hob down through the worktop cut-out.
- Place the hob centrally in the cut-out. When doing this, make sure that the seal of the appliance sits flush with the worktop on all sides. This is important to ensure an effective seal all round.


If the seal does not sit flush with the worktop in the corners, the corner radius ( $\leq R4$ ) can be carefully cut to fit using a jigsaw.

- Connect the hob to the electricity supply (see “Installation – Electrical connection”).
- Check that the hob works.

# Installation

---

## Electrical connection

 Risk of damage from incorrect connection.

Unauthorised installation, maintenance and repairs can cause considerable danger for the user.

Miele cannot be held liable for damage or injury caused by unauthorised installation, maintenance or repair work, or by an inadequate or faulty on-site earthing system (e.g. electric shock).

This hob must be connected to the electrical supply by a qualified electrician.

The electrician must be familiar with and comply with the national regulations and any additional regulations of the local electricity provider (e.g. BS 7671 in the UK).

After installation, ensure that all electrical components are shielded and cannot be accessed by users.

## Total power rating

See data plate

## Connection data

The connection data is quoted on the data plate. Please ensure these match the household mains supply.

Please see wiring diagrams for connection. (N.B. This appliance is supplied single phase only in the UK / AUS / NZ).

## Residual current device

For extra safety, it is advisable to protect the appliance with a suitable residual current device (RCD) with a trip range of 30 mA.

## WARNING

**THIS APPLIANCE MUST BE EARTHED**

## Disconnecting devices

It must be possible to disconnect the hob from the mains at all poles using disconnecting devices. A contact distance of at least 3 mm must be observed in the switched-off state. The disconnecting devices are overcurrent protection devices and residual current protection devices.

## Disconnecting from the mains



Risk of electric shock.

There is a risk of electric shock if the appliance is connected to the mains supply during repair or service work. After disconnection, ensure the appliance cannot be switched back on by mistake.

To disconnect the appliance from the mains power supply, do one of the following depending on installation:

### Safety fuses

- Completely remove fuses.

### Automatic circuit breakers

- Press the (red) test button until the middle (black) button springs out.

### Built-in circuit breakers

- Circuit breakers at least type B or C:  
Switch the lever from 1 (on) to 0 (off).

### Residual current device (RCD)

- Switch the main switch from 1 (on) to 0 (off) or press the test button.

## Mains connection cable

The hob must be connected to the electrical supply with a special connection cable, type H 05 VV-F (PVC insulated) with a suitable diameter.

Please see wiring diagram for connection. (N.B. This appliance is supplied single phase only in the UK / AUS / NZ).

See the data plate on the hob for the correct voltage and frequency.

## Replacing the mains connection cable



Risk of electric shock.

Incorrect connection to the power supply may result in an electric shock.

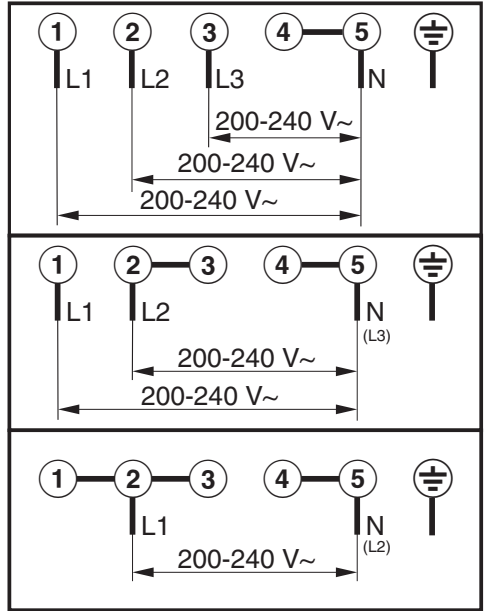
The mains cable must only be replaced by a qualified electrician.

When replacing the mains cable only use cable type H 05 VV-F with a suitable cross section. A suitable connection cable is available to order from Miele.

# Installation

## Wiring diagram

Some connection methods are not permitted in all installation locations. Ensure compliance with national regulations and any additional regulations issued by the local electricity provider.



The following data sheets apply to the models described in this operating instruction manual.

## Information for domestic electric hobs

In acc. with regulation (EU) No. 66/2014

<b>MIELE</b>	
<b>Model name/identifier</b>	KM 7200
Number of cooking zones and/or areas	
For circular cooking zones: diameter of useful surface area/cooking zone For non-circular cooking zones or areas: length and width of useful surface area per electric cooking zone or area	1. = Ø 140-280 mm 2. = Ø 140-190 mm 3. = Ø 100-160 mm 4. = 5. = 6. =
Energy consumption per cooking zone or area calculated per kg (EC <sub>electric cooking</sub> )	1. = 176,0 Wh/kg 2. = 174,0 Wh/kg 3. = 180,0 Wh/kg
Energy consumption for the hob calculated per kg (EC <sub>electric hob</sub> )	176,7 Wh/kg

## Information for domestic electric hobs

In acc. with regulation (EU) No. 66/2014

<b>MIELE</b>	
<b>Model name/identifier</b>	KM 7201
Number of cooking zones and/or areas	
For circular cooking zones: diameter of useful surface area/cooking zone For non-circular cooking zones or areas: length and width of useful surface area per electric cooking zone or area	1. = Ø 160-220 mm 2. = Ø 100-160 mm 3. = Ø 140-190 mm 4. = Ø 140-190 mm 5. = 6. =
Energy consumption per cooking zone or area calculated per kg (EC <sub>electric cooking</sub> )	1. = 178,0 Wh/kg 2. = 180,0 Wh/kg 3. = 174,0 Wh/kg 4. = 174,0 Wh/kg
Energy consumption for the hob calculated per kg (EC <sub>electric hob</sub> )	176,5 Wh/kg

# Product data sheets

## Information for domestic electric hobs

In acc. with regulation (EU) No. 66/2014

MIELE	
Model name/identifier	KM 7210
Number of cooking zones and/or areas	
For circular cooking zones: diameter of useful surface area/cooking zone For non-circular cooking zones or areas: length and width of useful surface area per electric cooking zone or area	1. = Ø 160-220 mm 2. = Ø 100-160 mm 3. = 190x290 mm 4. = Ø 140-190 mm 5. = 6. =
Energy consumption per cooking zone or area calculated per kg (EC <sub>electric cooking</sub> )	1. = 178,0 Wh/kg 2. = 180,0 Wh/kg 3. = 172,0 Wh/kg 4. = 174,0 Wh/kg
Energy consumption for the hob calculated per kg (EC <sub>electric hob</sub> )	176,0 Wh/kg

## Information for domestic electric hobs

In acc. with regulation (EU) No. 66/2014

MIELE	
Model name/identifier	KM 7262
Number of cooking zones and/or areas	
For circular cooking zones: diameter of useful surface area/cooking zone For non-circular cooking zones or areas: length and width of useful surface area per electric cooking zone or area	1. = 2. = Ø 100-160 mm 3. = 190x290 mm 4. = 5. = 6. =
Energy consumption per cooking zone or area calculated per kg (EC <sub>electric cooking</sub> )	1. = 178,0 Wh/kg 2. = 180,0 Wh/kg 3. = 172,0 Wh/kg 4. = 174,0 Wh/kg
Energy consumption for the hob calculated per kg (EC <sub>electric hob</sub> )	176,0 Wh/kg







## United Kingdom

Miele Co. Ltd., Fairacres, Marcham Road, Abingdon, Oxon, OX14 1TW

Tel: 0330 160 6600, Internet: [www.miele.co.uk/service](http://www.miele.co.uk/service), E-mail: [info@miele.co.uk](mailto:info@miele.co.uk)

### Australia

Miele Australia Pty. Ltd.

ACN 005 635 398

ABN 96 005 635 398

Level 4, 141 Camberwell Road

Hawthorn East, VIC 3123

Tel: 1300 464 353

Internet: [www.miele.com.au](http://www.miele.com.au)

### China Mainland

Miele Electrical Appliances Co., Ltd.

1-3 Floor, No. 82 Shi Men Yi Road  
Jing' an District

200040 Shanghai, PRC

Tel: +86 21 6157 3500

Fax: +86 21 6157 3511

E-mail: [info@miele.cn](mailto:info@miele.cn),

Internet: [www.miele.cn](http://www.miele.cn)

### Hong Kong, China

Miele (Hong Kong) Ltd.

41/F - 4101, Manhattan Place

23 Wang Tai Road

Kowloon Bay, Hong Kong

Tel: (852) 2610 1025

Fax: (852) 3579 1404

Email:

[customerservices@miele.com.hk](mailto:customerservices@miele.com.hk)

Website: [www.miele.hk](http://www.miele.hk)

### India

Miele India Pvt. Ltd.

1st Floor, Copia Corporate Suites,  
Commercial Plot 9,

Mathura Road, Jasola,

New Delhi - 110025

E-mail: [customercare@miele.in](mailto:customercare@miele.in)

Website: [www.miele.in](http://www.miele.in)

### Ireland

Miele Ireland Ltd.

2024 Bianconi Avenue

Citywest Business Campus

Dublin 24

Tel: (01) 461 07 10

Fax: (01) 461 07 97

E-Mail: [info@miele.ie](mailto:info@miele.ie)

Internet: [www.miele.ie](http://www.miele.ie)

### Malaysia

Miele Sdn Bhd

Suite 12-2, Level 12

Menara Sapura Kencana

Petroleum

Solaris Dutamas No. 1

Jalan Dutamas 1

50480 Kuala Lumpur, Malaysia

Phone: +603-6209-0288

Fax: +603-6205-3768

### New Zealand

Miele New Zealand Limited

IRD 98 463 631

8 College Hill

Freemans Bay, Auckland 1011

New Zealand

Tel: 0800 464 353

Internet: [www.miele.co.nz](http://www.miele.co.nz)

### Singapore

Miele Pte. Ltd.

29 Media Circle

#11-04 ALICE@Mediapolis

Singapore 138565

sTel: +65 6735 1191

Fax: +65 6735 1161

E-Mail: [info@miele.com.sg](mailto:info@miele.com.sg)

Internet: [www.miele.sg](http://www.miele.sg)

### South Africa

Miele (Pty) Ltd.

63 Peter Place

Bryanston 2194

P.O. Box 69434

Bryanston 2021

Tel: (011) 875 9000

Fax: (011) 875 9035

E-mail: [info@miele.co.za](mailto:info@miele.co.za)

Internet: [www.miele.co.za](http://www.miele.co.za)

### Thailand

Miele Appliances Ltd.

BHIRAJ TOWER at EmQuartier

43rd Floor Unit 4301-4303

689 Sukhumvit Road

North Klongton Sub-District

Vadhana District

Bangkok 10110, Thailand

### United Arab Emirates

Miele Appliances Ltd.

Showroom 1

Eiffel 1 Building

Sheikh Zayed Road, Umm Al Sheif

P.O. Box 114782 - Dubai

Tel. +971 4 3044 999

Fax. +971 4 3418 852

800-MIELE (64353)

E-Mail: [info@miele.ae](mailto:info@miele.ae)

Website: [www.miele.ae](http://www.miele.ae)

**Manufacturer:** Miele & Cie. KG, Carl-Miele-Straße 29, 33332 Gütersloh, Germany

KM 7200 FR, KM 7201 FR, KM 7210 FR, KM 7262 FR