

## **NANCY**

FREE-STANDING  
DRINKS COOLER

INSTALLATION,  
USE AND  
MAINTENANCE  
MANUAL



COMPATIBLE WITH COLOURS: COTTON, DARK SKIES & TEA ROSE

## EN - Table of contents

UKCA & EU Declaration of Conformity	4
Before First Use	7
Structure & Installation	7
Unpacking & Cleaning the Fridge	8
Operating the Drinks Cooler	8
Recommended Temperatures	10
Control Panel	11
Care and Maintenance	12
Troubleshooting	14
Electrical Information	16
Product Dimensions	18
Warranty & Service	19

## Important

The manufacturer cannot be held responsible for injuries or losses caused by incorrect use or installation of this product. Please note that we reserve the right to invalidate the guarantee supplied with this product following incorrect installation or misuse of the appliance.

This appliance is not designed to be used by people (including children) with reduced physical, sensorial or mental capacity, or who lack experience or knowledge about it, unless they have had supervision or instructions on how to use the appliance by someone who is responsible for their safety.

Under no circumstances should any external covers be removed for servicing or maintenance except by suitably qualified personnel.

Do not use the appliance if the plug, the mains cord or the appliance itself is damaged. If the mains cord is damaged, you must have it replaced by the manufacturer, or an authorised service centre or similarly qualified persons in order to avoid a hazard.

Children should be supervised to ensure that they do not play with the appliance. Keep the mains cord out of the reach of children.

## Appliance Information

Please enter the details on the appliance rating plate below for reference, to assist CDA Customer Care in the event of a fault with your appliance and to register your appliance for guarantee purposes.

<b>Appliance Model</b>	
<b>Serial Number</b>	

## UKCA & EU Declarations of Conformity

This appliance has been designed, constructed and marketed in compliance with safety requirements of EU Directive:

- The Low Voltage Directive 2014/35/EU
- Electromagnetic Compatibility Directive 2014/30/EU
- ErP Directive 2009/125/EC
- Directive RoHS 2011/65/EC

The product has been marked with the



symbols.

### IMPORTANT INFORMATION FOR CORRECT DISPOSAL OF THE PRODUCT IN ACCORDANCE WITH EC DIRECTIVE 2012/19/EU.

At the end of its working life, the product must not be disposed of as urban waste. The refrigeration system contains insulating gases and refrigerants, which require specialised waste disposal. The valuable materials contained in this appliance can be recycled. It must be taken to a special local authority differentiated waste collection centre or to a dealer providing this service. Before disposing of an old appliance, remove the door seals, latch or bolt lock to avoid the risk of child entrapment. Disposing of a household appliance separately avoids possible negative consequences for the environment and health deriving from inappropriate disposal and enables the constituent materials to be recovered to obtain significant savings in energy and resources. As a reminder of the need to dispose of household appliances separately, the product is marked with a crossed-out wheeled dustbin.



## Important

Before using this appliance, ensure it is correctly positioned and installed as outlined in this manual. Follow these basic precautions to prevent the risk of fire, electrical shock or injury:

- This appliance is designed for domestic use and is intended for storing sealed bottled wine or beverages.
- Ensure the plug is easily accessible after positioning the appliance.
- Avoid connecting or disconnecting the electric plug with wet hands.
- To disconnect the appliance, hold the plug and pull it from the wall outlet. Never pull out by the cord.
- It's advisable to use a dedicated power source and avoid using extension cords.
- Unplug the appliance or disconnect power before performing any cleaning, maintenance or servicing. Failure to do so can result in electrical shock or even death.
- If the supply cord is damaged, it must be replaced by the manufacturer, its service agent or a qualified person to prevent hazard.
- This appliance can be used by children aged from 8 years and persons with reduced physical, sensory or mental capabilities or lack of experience and knowledge if they have been given supervision or instruction concerning use of the appliance in a safe way and understand the hazards involved. Children shall not play with the appliance. Cleaning and user maintenance shall not be made by children without supervision.
- This appliance is not intended for use by persons (including children) with reduced physical, sensory or mental capabilities, or lack of experience and knowledge, unless they have been given supervision or instruction concerning use of the appliance by a person responsible for their safety.
- Children should be supervised to ensure that they do not play with the appliance.

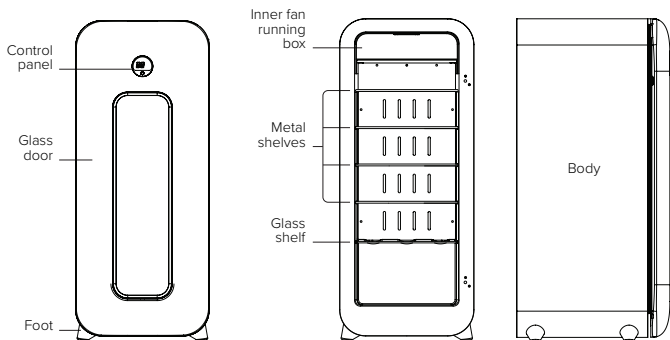
- To ensure proper ventilation for the appliance, the front of the unit must be completely unobstructed. Locate the unit away from direct sunlight and sources of heat (stove, heater, radiator, etc.).
- Do not attempt to repair or replace any part of the appliance unless it is specifically recommended in this manual. All other servicing should be referred to a qualified technician.
- Ensure enough people are available to move and install the appliance to avoid any damage to the appliance or injury to the people.
- It is important for the appliance to be levelled in order to work properly. You may adjust the appliance's feet to level it.
- Never clean the appliance parts with flammable fluids which may create a fire hazard or explosion. And do not store or use gasoline or other flammable vapours and liquids in the vicinity of the appliance.
- Do not use solvent-based cleaning agents or abrasives on the interior. These cleaners may damage or discolour the interior.
- Do not use this appliance for other than its intended purpose.
- Do not use electrical appliance inside the appliance.
- The use of attachments not recommended by the manufacturer may be hazardous.
- Please keep the products away from the fire or similar glowing substance before you dispose of the appliance.
- GWP (Global Warming Potential): R600a
- When you dispose the appliance, take off the door and leave the shelves in place so that children may not easily climb inside. And make sure the coolant circuit, particularly the heat exchanger at the back/bottom of the unit is not be damaged

## Before First Use

You must allow the drinks cooler to settle for at least twenty-four hours prior to switching the power on. It is recommended that you clean the interior of the appliance prior to first use, using a solution of bicarbonate of soda and warm water and then thoroughly drying the interior.

## Structure & Installation

The following pictures show a description of the product. Please install any accessories before operating.



### DO NOT TURN ON FOR AT LEAST 24 HOURS AFTER DELIVERY



Let the appliance stand upright for approximately 24 hours before connecting it to the power source, which helps to reduce the possibility of a cooling-system malfunction from handling during transportation.

## Unpacking & Cleaning the Wine Fridge

- Remove the exterior and interior packing materials.

## Operating the Drinks Cooler

### Working climate

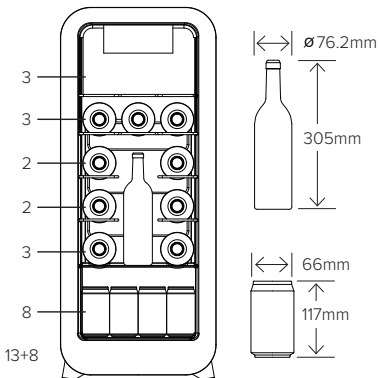
- The appliance is designed for operating from SN to T climate (see below climate class chart). It is recommended to maintain the ambient temperature around 22-25°C which helps the appliance to work at the optimal power consumption.

Climate Class		Allowable ambient temperature
SN	Extended Temperate	This refrigeration appliance is intended for use at an ambient temperature ranging between 10°C and 32°C
N	Temperate	This refrigeration appliance is intended for use at an ambient temperature ranging between 16°C and 32°C
ST	Sub Tropical	This refrigeration appliance is intended for use at an ambient temperature ranging between 16°C and 38°C
T	Tropical	This refrigeration appliance is intended for use at an ambient temperature ranging between 16°C and 43°C

- If the ambient temperature is above or below the designed climate range, the performance of the unit may be affected. For example, the appliance operating in extreme cold or hot conditions may cause interior temperatures to fluctuate and the temperature set 5-22°C may not be reached sometimes.

### Wine storage

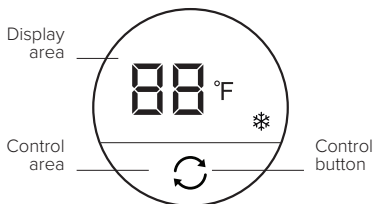
- The standard shelves are designed perfectly for Bordeaux style bottle storage. The maximum bottle loading may vary subject to the different size or dimension of wine bottles you store.
- To prevent damaging the door gasket, make sure to have the door opened fully all the way before pulling out the shelves.
- Do not cover the shelves with aluminium foil or any other shelf material which may prevent air circulation.
- Please store wine in sealed bottles.
- Should the wine fridge be left empty for long periods it is suggested that the appliance is unplugged, and after careful cleaning, leave the door ajar to allow air to circulate inside the cabinet in order to avoid possible condensation, mould or odours forming.



## Recommended Temperatures for chilling or storing your wines.

<b>Wine Type</b>	<b>Recommended Temperature</b>
Vintage Port	19°C
Shiraz, Durif, Cabernet Sauvignon	16°C - 18°C
Pinot Noir, GSM, Sangiovese Cabernet Merlot, Grenache, Tawny Port	14°C - 16°C
Chardonnay, Merlot, Gamay	12°C - 14°C
Dry Rose, Semillon, Viognier, Marsanne, Sauternes	10°C - 12°C
Sparkling Red, Chenin Blanc, Reisling, Semillon Sauvignon Blanc, Vinyage Champagne	6°C - 8°C
Non-Vintage Champagne, Sparkling Wine, Ice Wine	4°C - 6°C

## Control Panel



### Power on/off control

When the appliance is plugged in to a power outlet, it powers on automatically.

Warning: To avoid stressing the compressor, please do not turn on the appliance again within 5 minutes after you turn it off.

### Temperature Settings

- The temperature setting range is 2-22C.
- Touch the control to cycle and set the temperature as required.
- The digital display will change to display the setting temperature after 5 seconds without being touched.
- Note: When using the appliance for the first time or to restart the appliance after being closed for a long time, there may be a few degree variance between the set temperature and that displayed. This will settle and be accurate after a few hours of running normally.

### Temperature display window

- The digital temperature display shows the set temperature as you re-set the drinks cooler rather than the actual temperature.
- If the display shows 'HH' or 'LL' and makes a continuous buzzing sound it means the temperature probe has failed. The appliance will continue to run to help maintain the temperature and protect your wine.

**Warning: To avoid spoiling your stored wines, it is strongly recommended to have the appliance repaired immediately, as the periodical running cannot ensure the appliance will achieve the temperature you have set.**

### Interior lighting control

- Touch the control button and hold for 3 seconds to turn on (or turn off) the interior LED lighting.
- The lighting will be continuously on if it is not turned off.

### Wireless phone charger

It is recommended that phones are removed from their cases before placing on the charging area. Simply place your phone on the charging area and leave it to charge.

The charger will not work if it is in contact with metal, eg. Metal phone case. If a metallic substance is detected by the charging device, it will stop charging automatically. When the metal is removed, it will charge normally once again.

## Care & Maintenance

### Cleaning the drinks cooler

- Turn off the power, unplug the appliance and remove all items including shelves.
- Wipe the inside surfaces with a sponge and bicarbonate of soda solution. **The solution should be about 2 tablespoons of baking soda to 1 litre of warm water.**
- Wash the shelves with a mild detergent solution. Allow the shelves to dry before placing them back into the wine fridge.

- Remove excess water from the sponge or cloth when cleaning the controls, or any other electrical display areas.
- Wipe the outside cabinet with warm water and a mild liquid detergent. Wipe dry with a clean soft cloth.
- Do not use steel wool or steel brush on the stainless steel. These will contaminate the stainless steel with steel particles and rusting may occur.

### **Power failure**

Most power failures are corrected within a few hours and should not affect the temperature of your appliance if you minimise the number of times the door is opened. If the power is going to be off for a longer period of time, you need to take the proper steps to protect the contents.

### **Moving the wine fridge**

- Remove all items.
- Securely tape down all loose items (shelves) inside your appliance.
- Turn the adjustable legs up to the base to avoid damage.
- Tape the door shut.
- Ensure the appliance stays secure in the upright position during transportation. Also protect the outside of appliance with a blanket, or similar item.

### **Energy saving tips**

- The appliance should be located away from heat producing appliances, and away from direct sunlight.
- Ensure that the unit is adequately ventilated. Never cover the air vents.
- Only open the door when necessary. Avoid leaving the door open for long periods or opening/closing the door frequently.

## Troubleshooting

If you feel the appliance is out of order, follow these instructions to try to see if you can solve the problem simply by yourself before calling for service.

### **My unit is making a lot of noise.**

If your wine fridge sounds noisy, it may be:

- 1) due to incorrect stacking of bottles and/or the fridge is not completely level, so please empty the unit, check the levelling and then reload.
- 2) because ventilation requirements have not been considered, and so the unit is over-heating—refer to the manual or call CDA for further help.

### **There is water coming out of the back of my cabinet.**

The door has been left open to some degree. Please wipe out the unit and ensure the door is shut.

### **There is water on the inside back wall of my cabinet**

This is a perfectly normal occurrence and needed to maintain the correct humidity in the wine fridge. Just keep your bottles away from the wall so you do not block the water flow, an essential part of the cellaring climate.

### **My bottles are wet**

If they are in contact with the back wall of the cabinet, they will have some condensation on them so please make sure you keep a finger's distance between the bottom of the bottle and the wall when you load. If not, please keep in mind that it is normal that condensation appears on the bottles after you open the door, and that high humidity is essential in cellaring your wine properly.

### **There is a +/- 2 deg temperature swing on the digital readout**

Yes, this is normal. It is the variance in the air temperature that triggers the thermostat and the compressor. The small temperature fluctuations occur in the air around the bottles, not in the wine itself.

There is condensation on the outer surface of the glass door of my wine cabinet  
This indicates excessive humidity in the environment.

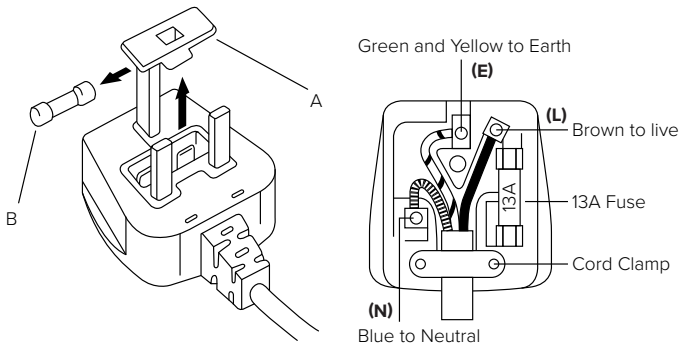
### **What happens if there is a power outage?**

The units are very well insulated and can maintain the temperature for hours before there is any change in the temperature itself. We don't advise opening the doors during the outage. Once the power is restored, electronically-controlled cabinets can revert to factory settings, so reset as necessary.

Problem	Possible Cause / Measure
The wine fridge does not operate	<ul style="list-style-type: none"> <li>• Not plugged in.</li> <li>• The appliance is turned off.</li> <li>• The circuit breaker tripped or a blown fuse.</li> </ul>
The wine fridge is not cold enough	<ul style="list-style-type: none"> <li>• Check the temperature control setting.</li> <li>• External environment may require a higher setting. The door is open too frequently.</li> <li>• The door is not closed completely.</li> <li>• The door gasket does not seal properly.</li> </ul>
Automatically turn-on and turn-off frequently	<ul style="list-style-type: none"> <li>• The room temperature is hotter than normal.</li> <li>• A large amount of contents has been added to the wine fridge.</li> <li>• The door is open too frequently.</li> <li>• The door is not closed completely.</li> <li>• The temperature control is not set correctly.</li> <li>• The door gasket does not seal properly.</li> </ul>
The light does not work	<ul style="list-style-type: none"> <li>• Not plugged in.</li> <li>• The circuit breaker tripped or blown fuse.</li> <li>• The lighting is turned off.</li> </ul>
Too much vibration	<ul style="list-style-type: none"> <li>• Check to ensure that the appliance is level.</li> <li>• Check to ensure no parts inside the cabinet or in the compressor chamber are loose.</li> </ul>
The wine fridge seems to make too much noise	<p>* The rattling noise may come from the flow of the refrigerant, which is normal. As each cycle ends, you may hear gurgling sounds caused by the flow of refrigerant.</p>
The door will not close properly	<ul style="list-style-type: none"> <li>• The wine fridge is not level.</li> <li>• The gasket is dirty.</li> <li>• The shelves are out of position.</li> </ul>
The display window is shown with "HH" or "LL" instead of a digital figure, and/or with a continuous buzz sound.	<p>* The temperature probe is out of order.</p>

## Electrical Information

**Warning! This appliance must be earthed.**



The mains lead of this appliance has been fitted with a BS 1363A 13Amp fused plug. To change a fuse in this type of plug, follow the steps below:

1. Remove the fuse cover (shown as A above) and fuse (shown as B above).
2. Fit replacement 13A fuse, ASTA approved to BS 1362 type, into the fuse cover.
3. Replace fuse cover.

**Important: Do not use the appliance without the fuse cover in position.**

### **How to connect an alternative plug**

If the fitted plug is not suitable for your socket outlet, then it should be cut off and disposed of safely to avoid possible shock hazard. A suitable alternative plug of at least 13 Amp rating to BS 1363 should be used.

As the colours of the wires in the mains lead of this appliance may not correspond with the coloured markings identifying the terminals in your plug, proceed as follows:-

- The wire which is coloured GREEN and YELLOW must be connected to the terminal which is marked with letter (E) or by the Earth symbol or coloured GREEN and YELLOW.
- The wire which is coloured BLUE must be connected to the terminal which is marked with the letter (N) or coloured BLACK.
- The wire which is coloured BROWN must be connected to the terminal which is marked with the letter (L) or coloured RED.

If in doubt regarding the electrical connection of this appliance, consult a qualified electrician. Do not shorten the supply cable, the appliance may require removing for servicing.

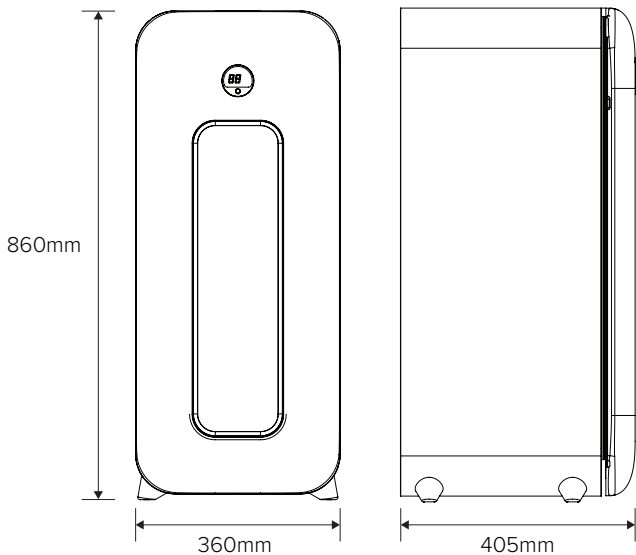
**N.B. Ensure that the plug socket is situated in an easily accessible place after installation.**

E & O E. All instructions, dimensions and illustrations are provided for guidance only.

CDA reserve the right to change specifications without prior notice.

Do not connect the appliance to mains supply through an extension lead.

## Product Dimensions



## Warranty and Service

The manufacturer shall not be held liable for any damage caused by improper use of the product.

- Repairs carried out by unqualified persons may seriously endanger the appliance user.
- Pursuant to Commission Regulation (EU) 2019/2019, The minimum availability period for spare parts necessary to repair the appliance is 7 or 10 years depending on the type and purpose of the spare part.
- The list of spare parts and the ordering procedure are available on the websites of the manufacturer, importer or an authorised representative.
- The minimum warranty period for the appliance offered by the manufacturer, importer or authorised representative is given in the warranty card.
- The warranty shall be void if you make any independent adaptations or alterations, tamper with seals or other appliance safety devices or its parts or interfere with the appliance contrary to operating instructions.

For more information about the product, please refer to the EU EPREL Product Database at <https://eprel.ec.europa.eu>. Alternatively, you can use your mobile device to scan the QR code on the energy label or enter the product model listed on the energy label in the EPREL search engine.





The CDA Group  
Harby Road  
Langar  
Nottinghamshire  
NG13 9HY

CDA Customer Care Web Page:  
[www.cda.co.uk/customer-care](http://www.cda.co.uk/customer-care)

CDA Customer Care Phone: 01949 862012

CDA Spare Parts: [www.cda.co.uk/parts](http://www.cda.co.uk/parts)

CDA Spare Parts Phone: 01949 862019

CDA Spare Department Email: [sales@cda.co.uk](mailto:sales@cda.co.uk)

CDA Sales Department Phone: 01949 862010

[www.cda.co.uk](http://www.cda.co.uk)