

SCAG60BL

Angled Extractor

Installation, use and maintenance

Contents

3	Important information
5	Using your extractor
6	Cleaning and maintenance
7	Charcoal filter
8	LED lights
8	Electrical Information
8	Troubleshooting
9	Mains electricity connection
10	Installation
13	Energy efficiency information

IMPORTANT: Please read this instruction manual carefully before installation or using the appliance for the first time. Failure to install this appliance, or to have it installed, as per the instruction manual could invalidate your warranty.

Any service calls relating to misuse or incorrect installation could incur a service charge.

Please check our website for up to date manuals, as new information and changes are sometimes added.

Important information

The CDA Group Ltd cannot be held responsible for injuries or losses caused by incorrect use or installation of this product. Please note that CDA reserve the right to invalidate the warranty supplied with this product following incorrect installation or misuse of the appliance or use in a commercial environment.

This appliance is not designed to be used by people (including children) with reduced physical, sensory or mental capacity, or who lack experience or knowledge about it, unless they have had supervision or instructions on how to use the appliance by someone who is responsible for their safety.

Under no circumstances should any external covers be removed for servicing or maintenance except by suitably qualified personnel.

Appliance information:

Please enter the details on the appliance rating plate below for reference, to assist CDA Customer Care in the event of a fault with your appliance and to register your appliance for warranty purposes.

Appliance Model	
------------------------	--

Serial Number	
----------------------	--

Declarations of Conformity:

This appliance has been manufactured to comply with all EU & UK statutory requirements and complies with all applicable legislation and the following European Directives:


- The Low Voltage Directive 2014/35/EU
- Electromagnetic Compatibility Directive 2014/30/EU

The product has been marked with the CE symbols. 

This appliance is marked according to the European directive 2004/104/EC on Waste Electrical and Electronic equipment (WEEE).

IMPORTANT INFORMATION FOR CORRECT DISPOSAL OF THE PRODUCT IN ACCORDANCE WITH EC DIRECTIVE 2012/19/EU.

At the end of its working life, the product must be taken to a special local authority waste collection centre or to a dealer providing appliance recycling services.

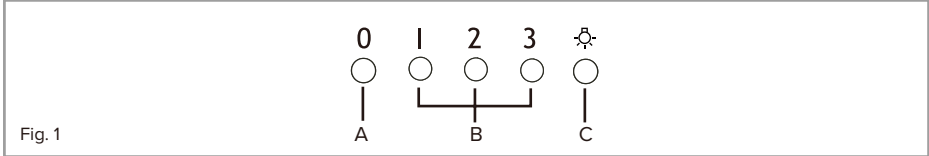
Disposing of a household appliance separately avoids possible negative consequences for the environment and health. It also enables the constituent materials to be recovered, saving both energy and resources. As a reminder of the need to dispose of household appliances separately, the product is marked with a crossed-out wheeled dustbin .

Please note:

- Under no circumstances should the extractor be connected to any gas ventilation system, flue system or hot air ducting system.
- Do not vent the extractor into an attic or loft space.
- Only house the extractor in rooms with adequate ventilation. Remember that the extractor is powerful and whatever air is extracted needs to be replaced.
- Do not tile the extractor in. It should be removable for service or maintenance.
- Do not use silicone sealant to secure the hood to the wall.
- You must be able to isolate the extractor from the mains electrical supply after installation.
- This extractor has been designed to be used in a room with a volume of less than 36m³.
- Steam cleaners must not be used when cleaning this appliance.
- The performance of your extractor will vary depending on a number of factors. These include: type of extraction, length of ducting, room volume, ventilation available and cleanliness of the filters.

Using your extractor

For best performance, you should switch on the extractor 15 minutes before starting to cook and leave it to run for approximately 15 minutes after the end of cooking.



Control Panel

A - Power off

B - Speed levels

C - Light

To switch the extractor off:

Press button A.

To switch on the extractor or change the motor speed at any time when the extractor is running:

Press the relevant speed button (B) for the first, second or third speed as required.

To switch the extractor light on or off:

Press button C

Cleaning and maintenance

IMPORTANT: DO NOT PERFORM MAINTENANCE OR CLEANING OF THE EXTRACTOR WITHOUT FIRST SWITCHING OFF THE ELECTRICITY SUPPLY.

Cleaning

You should use a non-abrasive cleaner. Any abrasive cleaner (including Cif) will scratch the surface and could erase the control panel markings.

You can clean your extractor effectively by simply using a dilute solution of water and mild detergent and drying to a shine with a clean cloth.

Cleaning the grease filter

The grease filter should be kept clean to minimize the risk of fire. At least once a month the grease filters should be removed and cleaned with warm soapy water. You can also wash the grease filters in a dishwasher, ensuring that the filters are put in an upright position to prevent damage from other items in the dishwasher. After rinsing and drying, replace the filter.

To remove the grease filter, push in the button on the handle and then pull down on the filter at the front. When you have released it at the front, then you can pull out the filter. To replace the grease filter, repeat the steps in reverse.

Please note:

Cleaning the grease filter in the dishwasher may lead to discolouration. This is normal and does not constitute a fault with the appliance.

NOTE: The extractor must not be used without the grease filter in place.

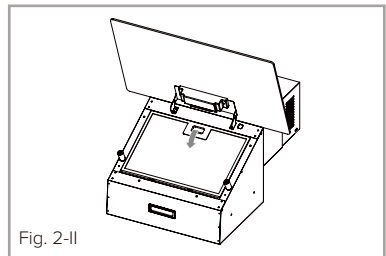


Fig. 2-II

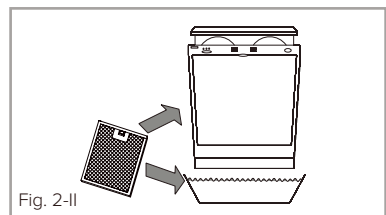


Fig. 2-II

Charcoal filter

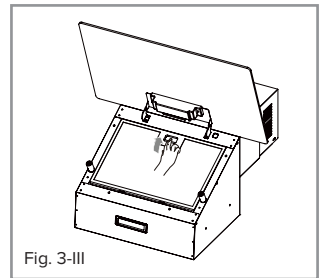
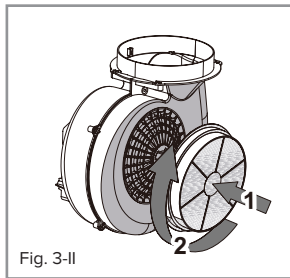
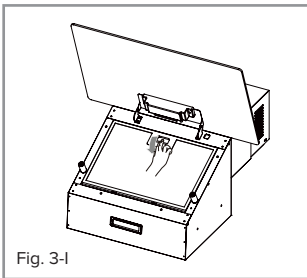
In re-circulating mode, air is vented back into the kitchen through the opening in the cooker hood.

This method is advised if you are not using your hob intensively.

Re-circulated air requires the use of charcoal filters to remove odours.

To ensure the best performance from your cooker hood, the charcoal filter should be replaced every 3-6 months, dependent on use.

Note: This charcoal filter is non-washable and must be replaced as required.



NOTE: This charcoal filter is non-washable and must be replaced as required.

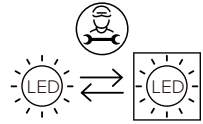
To install a new charcoal filter, first remove the grease filter, as shown in Fig. 3-I. Then install a new charcoal filter as shown in Fig. 3-II and replace the grease filter (Fig. 3-III).

NOTE: This extractor uses 2 x CHA17 charcoal filters.

LED lights

In case of malfunction of the illumination system, please contact CDA Customer Care.

Replaceable (LED only) light source by a professional



Electrical information

Mains electrical voltage: 230–240Vac

Total rated power consumption: 47W

Troubleshooting

Please note:

Your extractor is equipped with a motor protection device that will happen during cooking when most or all of the zones/burners are being used simultaneously, or if your extractor is installed incorrectly, lower than the recommended height. This is normal, and the extractor will work again once the motor has cooled sufficiently.

If your extractor is not working:

1. Check that the mains supply has not been switched off.
2. Check that the fuse in the spur has not blown.

Contact CDA Customer Care

A: Customer Care Department, The CDA Group Ltd, Harby Road, Langar, Nottinghamshire, NG13 9HY

T: 01949 862 012

E: customer.care@cda.co.uk

F: 01949 862 003

W: www.cda.co.uk

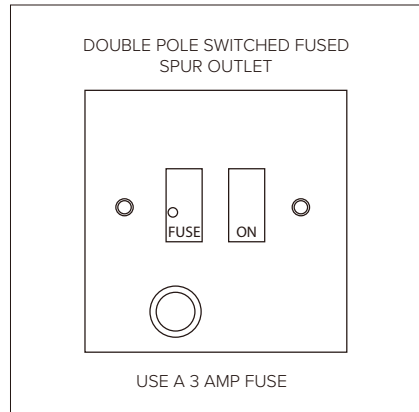
Mains electricity connection

WARNING! This appliance must be earthed.

The appliance must be connected by qualified electrician, who is a member of the N.I.C.E.I.C. and who will comply with the I.E.T. and local regulations.

When installing this product we recommend you seek the help of another individual.

We recommend that the appliance is connected by a qualified electrician, who is a member of the N.I.C.E.I.C. and who will comply with the I.E.T. and local regulations. The wires in the mains lead are coloured in accordance with the following code:

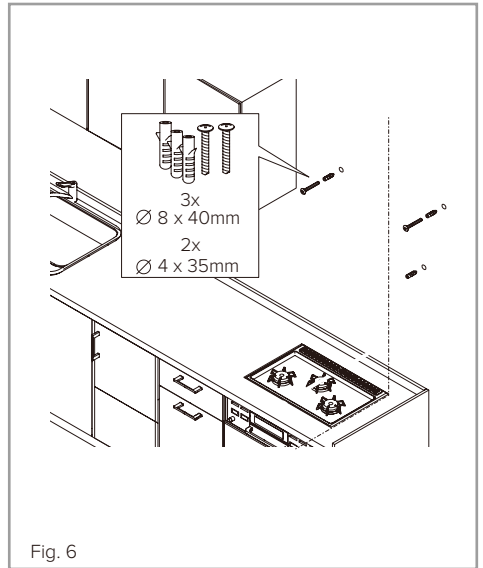
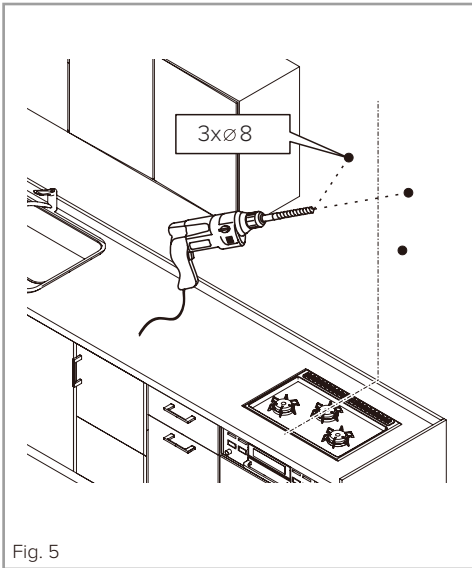
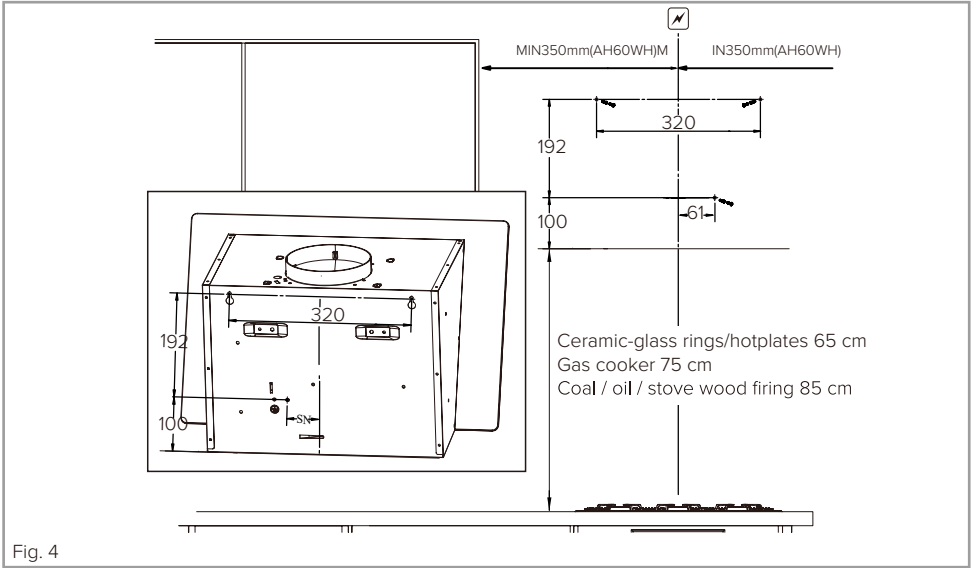


GREEN AND YELLOW = EARTH BLUE = NEUTRAL BROWN = LIVE

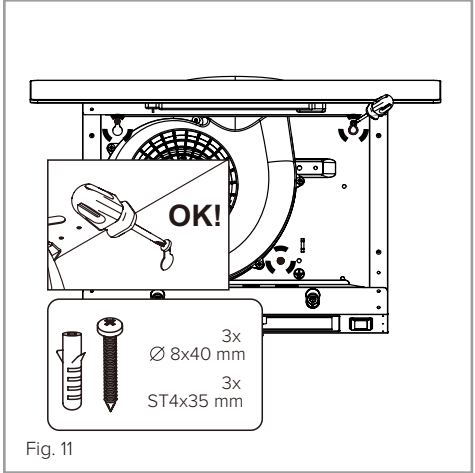
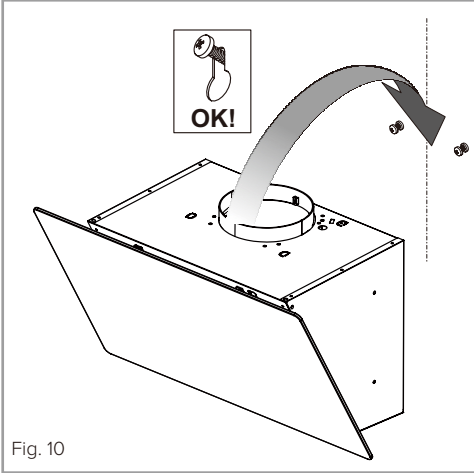
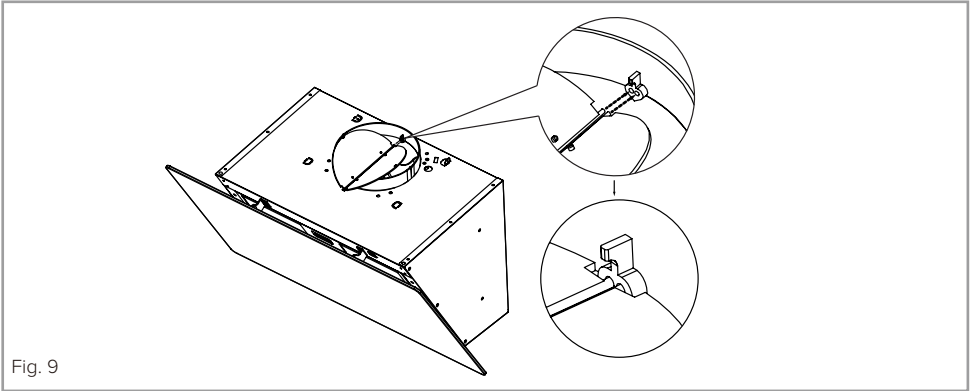
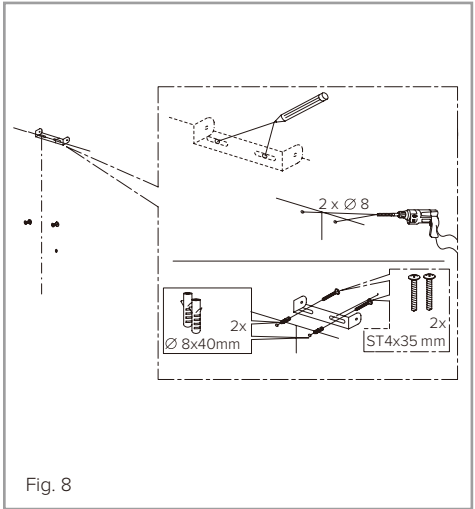
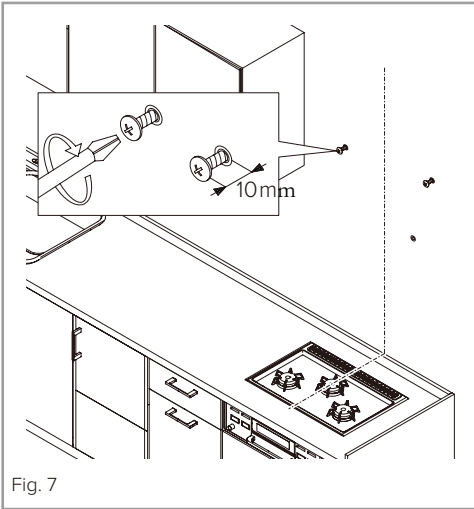
As the colours of the wires in the mains lead for the appliance may not correspond with the coloured markings identifying the terminals in your spur box, proceed as follows:

1. The wire which is coloured green and yellow must be connected to the terminal marked E (Earth) or coloured green
2. The wire which is coloured blue must be connected to the terminal marked N (Neutral) or coloured black
3. The wire which is coloured brown must be connected to the terminal marked L (Live) or coloured red

Installation



IMPORTANT SAFETY WARNING: ONLY USE THE SCREWS PROVIDED WITH THE EXTRACTOR TO MOUNT THE DUCTING ADAPTOR. THE USE OF LONGER SCREWS MAY CAUSE DAMAGE TO THE INTERNAL WIRING WHICH WILL NOT BE COVERED BY THE WARRANTY.



NOTE: This extractor can use Ducting kits AED51/53/54.

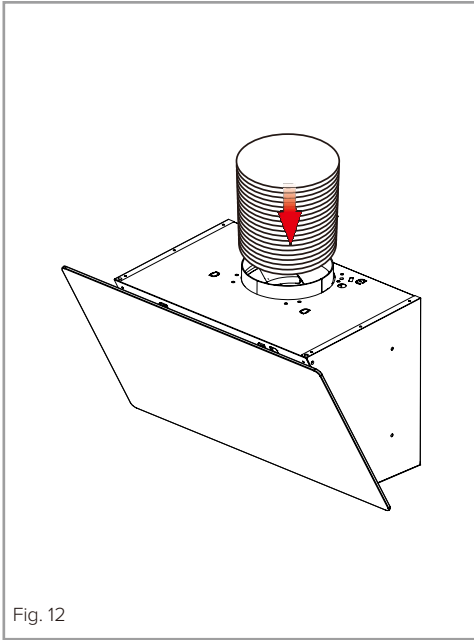


Fig. 12

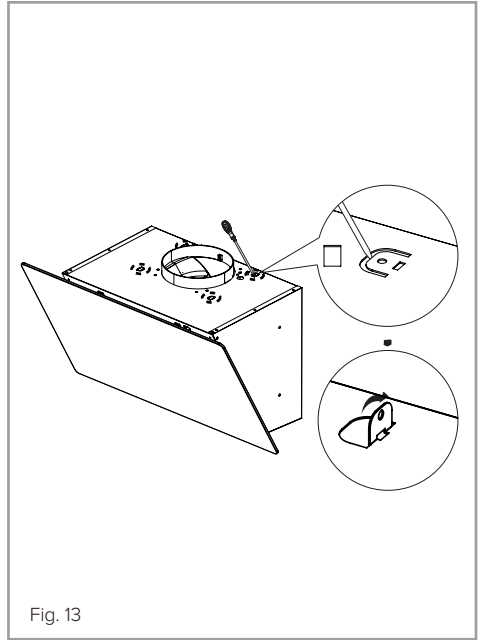


Fig. 13

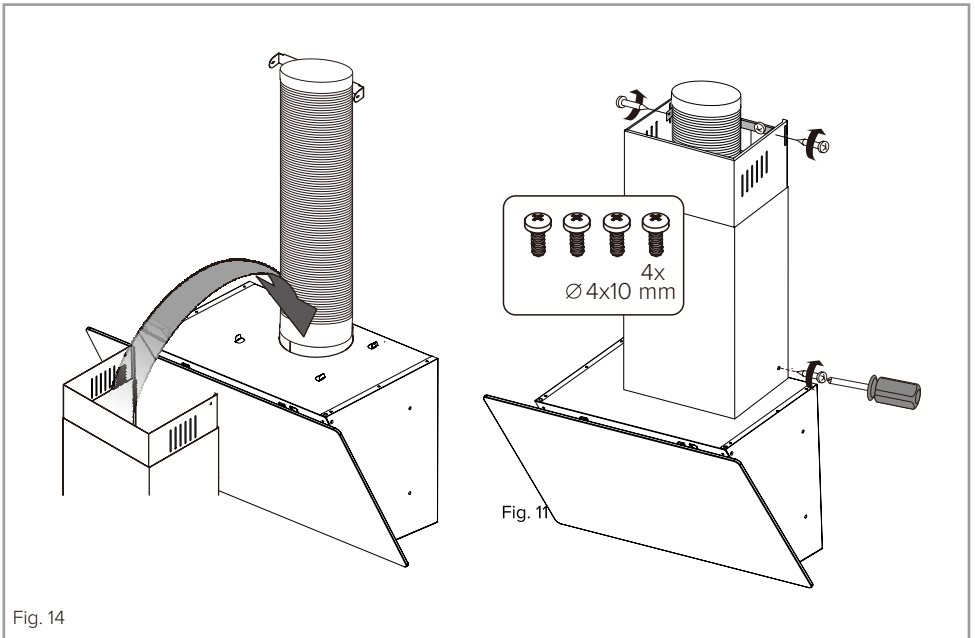


Fig. 14

Fig. 11

Energy Efficiency Information			
Attribute	Symbol	Value	Units
Model		SCAG60BL	
Annual Energy Consumption	AEC_{Hood}	19.1	kWh
Time increase factor	f	1.4	
Fluid Dynamic Efficiency	FDE_{Hood}	16.1	
Energy Efficiency Index	EEI_{Hood}	54.0	
Measured airflow at Best Efficiency Point	Q_{BEP}	137.5	m ³ /h
Measured pressure at Best Efficiency Point	P_{BEP}	145	Pa
Maximum airflow	Q_{MAX}	300.7	m ³ /h
Measured electric power at Best Efficiency Point	W_{BEP}	34.5	W
Nominal lighting power	WL	2.0	W
Average illumination of the lighting system on the cooking surface	E_{Middle}	100	Lux
Measured power consumption in standby	P_S	--	W
Measured power consumption in off mode	P_O	0.00	W
Sound power level	L_{WA}	64	dBA
Grease Filter Efficiency	GFE_{Hood}	37.2 (E)	%
Lamp Efficiency	LE_{Hood}	50 (A)	%

E & O E. All instructions, dimensions and illustrations are provided for guidance only. CDA reserve the right to change specifications without prior notice.



For full information and Terms & Conditions, please visit:

<https://www.cda.co.uk/lifetime-warranty/>

For service or queries relating to your product please contact:

The Customer Care Department on **01949 862 012**

or email customer.care@cda.co.uk