

# Haier

HSR3918ENP\*  
HSR3918EWP\*  
HSR3918FNP\*  
\*=W,B,L,G,N

Refrigerator  
User Guide

---

Kühlschrank  
Bedienungsanleitung

---

Réfrigérateur  
Mode d'emploi

---

Frigorifero  
Guida per l'utente

---

Frigorífico  
Manual del usuario

---

Frigorífico  
Guia do Utilizador

---

Koelvriescombinatie  
Handleiding

---

Lodówka  
Podręcznik użytkownika

---

Chladnička  
Uživatelská příručka

---

Hűtőszekrény  
Felhasználói útmutató

---

ΨΥΓΕΙΟ  
ΟΔΗΓΙΕΣ ΧΡΗΣΗΣ

EN

DE

FR

IT

ES

PT

NL

PL

CZ

HU

EL



**EN WARNING: Risk of fire/flammable material.** The symbol indicates there is a risk of fire since flammable materials are used. Take care to avoid causing a fire by igniting flammable material.

**DE WARNUNG: Brandgefahr/ brennbares Material.** Das Symbol weist auf Brandgefahr hin, da brennbare Materialien verwendet werden. Verhindern Sie die Entstehung von Bränden, die durch entflammbare Materialien verursacht werden.

**FR ATTENTION: Risque d'incendie ou de matières inflammables.** Le symbole montre qu'il y'a le risque de matériaux inflammables sont utilisés. Prendre soin d'éviter de provoquer un incendie en ingérant des matières inflammables.

**IT ATTENZIONE: Rischio di incendio/materiale infiammabile.** Il simbolo indica il rischio di incendio nel caso di utilizzo di materiali infiammabili. Fare attenzione ed evitare l'insorgere di incendi a causa della combustione di materiali infiammabili.

**ES ADVERTENCIA: Riesgo de incendio o material inflamable.** El símbolo indica que existe riesgo de incendio, dado que se utilizan materiales inflamables. Se debe procurar evitar incendios mediante la combustión de materiales inflamables.

**PT ADVERTÊNCIA:Risco de incêndio/material inflamável.** O símbolo indica que existe um risco de incêndio uma vez que são usados materiais inflamáveis. Ter cuidado para evitar provocar um incêndio por acender material inflamável.

**NL WAARSCHUWING: Brandrisico / brandbaar materiaal.** Het systeem geeft aan dat er een brandrisico bestaat aangezien brandbaar materiaal wordt gebruikt. Zorg ervoor dat er geen brand wordt veroorzaakt door brandbaar materiaal te ontsteken.

**PL OSTRZEŻENIE:Ryzyko pożaru/materiał łatwopalny.** Symbol wskazuje, że istnieje ryzyko pożaru, ponieważ używane są materiały łatwopalne. Dbaj o to, aby uniknąć pożaru poprzez zapalenie łatwopalnego materiału.

**CZ VAROVÁNÍ: Nebezpečí Požáru/ Hořlavého Materiálu.** Symbol označuje riziko požáru, protože byly použity hořlavé materiály. Dbejte na to, aby nedošlo ke vzniku požáru zapálením hořlavého materiálu.

**HU FIGYELEM: Tűz / gyúlékony anyag veszélye.** A szimbólum azt jelzi, hogy tűzveszély áll fenn, mivel gyúlékony anyagokat használnak. Ügyeljen arra, hogy ne tegyen rá tűzveszélyes gyúlékony anyagot.

**EL ΠΡΟΣΟΧΗ: Κίνδυνος φωτιάς/εύφλεκτο υλικό.** Το σύμβολο υποδεικνύει ότι υπάρχει κίνδυνος φωτιάς επειδή χρησιμοποιούνται εύφλεκτα υλικά. Προσέχετε να αποφεύγετε την πρόκληση φωτιάς από ανάφλεξη εύφλεκτου υλικού.



User Manual

## Refrigerator-Freezer

HSR3918ENP\*

HSR3918EWP\*

HSR3918FNP\*

\*=W,B,L,G,N

GB

**Haier**

## Thank you for purchasing a Haier Product.

Please read these instructions carefully before using this appliance. The instructions contain important information which will help you get the best out of the appliance and ensure safe and proper installation, use and maintenance.

Keep this manual in a convenient place so you can always refer to it for the safe and proper use of the appliance.

If you sell the appliance, give it away, or leave it behind when you move house, make sure you also pass this manual so that the new owner can become familiar with the appliance and safety warnings.

## Legend

Warning – Important Safety information



General information and tips



Environmental information



## Disposal

Help protect the environment and human health. Put the packaging in applicable containers to recycle it. Help to recycle waste of electrical and electronic appliances. Do not dispose appliances marked with this symbol with the household waste. Return the product to your local recycling facility or contact your municipal office.



## WARNING!

### Risk of injury or suffocation!

Refrigerants and gases must be disposed of professionally. Ensure that the tubing of the refrigerant circuit is not damaged before being properly disposed of. Disconnect the appliance from the mains supply. Cut off the mains cable and dispose of it. Remove the trays and drawers as well as the door catch and seals, to prevent children and pets to get closed in the appliance.

Old appliances still have some residual value. An environmentally friendly method of disposal will ensure that valuable raw materials can be recovered and used again.

Cyclopentane, a flammable substance not harmful to ozone, is used as an expander for the insulating foam.

By ensuring this product is disposed of correctly, you will help prevent potential negative consequences for the environment and human health, which could otherwise be caused.

For more detailed information about recycling of this product, please contact your local council, your household waste disposal service or the shop where you purchased the product, handled by the professionals.

1- Safety information.....	4
2- Intended use .....	8
3- Product description .....	10
4- Control panel.....	11
5- Use.....	12
6- Energy saving tips .....	20
7- Equipment .....	21
8- Care and cleaning .....	23
9- Trouble shooting .....	25
10- Installation.....	28
11- Technical data .....	31
12- Customer service.....	32

Before switching on the appliance for the first time read the following safety hints!:



### WARNING!

#### Before first use

- ▶ Make sure there is no transport damage.
- ▶ Remove all packaging and keep out of children's reach.
- ▶ Wait at least two hours before installing the appliance in order to ensure the refrigerant circuit is fully efficient.
- ▶ Handle the appliance always with at least two persons because it is heavy.

#### Installation

- ▶ The appliance should be placed in a well-ventilated place. Ensure a space of at least 20 cm above and 10 cm around the appliance.
- ▶ Never place the appliance in a damp area or location where it might be splashed with water. Clean and dry water splashes and stains with a soft clean cloth.
- ▶ Do not install the appliance in direct sunlight or near heat sources (e.g. stoves, heaters).
- ▶ Install and level the appliance in an area suitable for its size and use.
- ▶ Keep ventilation openings around the appliance or in the inbuilt structure clear of obstruction.
- ▶ Make sure that the electrical information on the rating plate agrees with the power supply. If it does not, contact an electrician.
- ▶ The appliance is operated by a 220-240 VAC/50 Hz power supply. Abnormal voltage fluctuation may cause the appliance to fail to start, or damage to the temperature control or compressor, or there may be an abnormal noise when operating. In such case, an automatic regulator shall be mounted.
- ▶ Use a separate earthed socket for the power supply which is easy accessible. The appliance must be earthed.
- ▶ **Only for UK:** The appliance's power cable is fitted with 3-cord (grounding) plug that fits a standard 3-cord (grounded) socket. Never cut off or dismount the third pin (grounding). After the appliance is installed, the plug should be accessible.
- ▶ Do not use multi-plug adapters and extension cables.
- ▶ Ensure that the power cable is not trapped by the appliance. Do not step on the power cable.
- ▶ Do not damage the refrigerant circuit.
- ▶ Do not locate multiple portable socket-outlets or portable power supplies at the rear of the appliance.



## WARNING!

### Daily use

- ▶ This appliance can be used by children aged from 8 years and above and persons with reduced physical, sensory or mental capabilities or lack of experience and knowledge if they have been given supervision or instruction concerning use of the appliance in a safe way and understand the hazards involved.
- ▶ Children aged from 3 to 8 years are allowed to load and unload refrigerating appliances, but not allowed to clean and install the refrigerating appliances.
- ▶ Keep away children under 3 years of age from the appliance unless they are constantly supervised.
- ▶ Cleaning and user maintenance shall not be made by children without supervision.
- ▶ Children shall not play with the appliance.
- ▶ The appliance must be positioned so that the plug is accessible.
- ▶ If coal gas or other inflammable gas is leaking in the vicinity of the appliance, turn off the valve of the leaking gas, open the doors and windows and do not unplug a plug in the power cable of the appliance or any other appliance.
- ▶ Notice that the appliance is set for operation at a specific ambient range between 10 and 38°C. The appliance may not work properly if it is left for a long period at a temperature above or below the indicated range.
- ▶ Do not place unstable articles (heavy objects, containers filled with water) on top of the appliance, avoid personal injury caused by falling or electric shock caused by contact with water.
- ▶ Do not pull on the door shelves. The door may be pulled slant, the bottle rack, may be pulled away, or the appliance may topple.
- ▶ Open and close the doors only with the handles. The gap between the doors and between the doors and the cabinet is very narrow. Do not extend your hands in these areas to avoid pinching your fingers. Open or close the doors only when there are no children standing within the range of door movement.
- ▶ Do not store or use inflammable, explosive or corrosive materials in the appliance or in the vicinity.
- ▶ Do not store medicines, bacteria or chemical agents in the appliance. This appliance is a household appliance. It is not recommended to store materials that require strict temperatures.
- ▶ Never store liquids in bottles or cans (besides high percentage spirits) especially carbonated beverages in the freezer, as these will burst during freezing.

**WARNING!****Daily use**

- ▶ Check the condition of food if a warming in the freezer has taken place.
- ▶ Do not set unnecessarily low temperature in the refrigerator compartment. Minus temperatures may occur at high settings. Attention: Bottles can burst.
- ▶ Do not touch frozen goods with wet hands (wear gloves). Especially do not eat ice lollies immediately after removal from the freezer compartment. There is the risk to freeze or the formation of frost blisters. FIRST aid: keep immediately under running cold water. Do not pull away!
- ▶ Do not touch the inside surface of the freezer storage compartment when in operation, especially with wet hands, as your hands may freeze onto the surface.
- ▶ Unplug the appliance in the event of a power interruption or before cleaning. Allow at least 5 minutes before restarting the appliance, as frequent starting may damage the compressor.
- ▶ Do not use electrical devices inside the food storage compartments of the appliance, unless they are of the type recommended by the manufacturer.
- ▶ Only use drinking water with models with water dispenser.

**Maintenance / cleaning**

- ▶ Make sure children are supervised if they carry out cleaning and maintenance.
- ▶ Disconnect the appliance from the electrical supply before undertaking any routine maintenance. Allow at least 5 minutes before restarting the appliance, as frequent starting may damage the compressor.
- ▶ Hold the plug, not the cable, when unplugging the appliance.
- ▶ Do not scrape off frost and ice with sharp objects. Do not use sprays, electric heaters like heater, hair dryer, steam cleaners or other sources of heat in order to avoid damage to the plastic parts.
- ▶ Do not use mechanical devices or other means to accelerate the defrosting process, other than those recommended by the manufacturer.
- ▶ Do not clean the appliance with hard brushes, wire brushes, detergent powder, petrol, amyl acetate, acetone and similar organic solutions, acid or alkaline solutions. Please clean with special re-frigerator detergent to avoid damage.
- ▶ Eventually use warm water and baking soda solution-about a tablespoon of baking soda to a liter/quart of water. Rinse

thoroughly with water and wipe dry. Do not use cleaning powders or other abrasive cleaners. Do not wash removable parts in a dishwasher

## **WARNING!**

### Maintenance / cleaning

- ▶ If the supply cord is damaged, it must be replaced by the manufacturer, its service agent or similarly qualified persons in order to avoid a hazard.
- ▶ Do not try to repair, disassemble or modify the appliance by yourself. In case of repair please contact our customer service.
- ▶ If the illuminating lamps are damaged, it must be replaced by the manufacturer, its service agent or similarly qualified persons in order to avoid a hazard.
- ▶ Eliminate the dust on the back of the unit at least once in the year to avoid hazard by fire, as well as increased energy consumption.
- ▶ Do not spray or flush the appliance during cleaning.
- ▶ Do not use water spray or steam to clean the appliance.
- ▶ Do not clean the cold glass shelves with hot water. Sudden temperature change may cause the glass to break.
- ▶ If you leave your appliance out of use for an extended period, leave it open to prevent odour and unpleasant smells building up inside.

## Refrigerant gas information

### **WARNING!**

The appliance contains the flammable refrigerant ISOBUTANE (R600a). Make sure the refrigerant circuit is not damaged during transportation or installation. Leaking refrigerant may cause eye injuries or ignite. If a damage has occurred, keep away open fire sources, thoroughly ventilate the room, do not plug or unplug the power cords of the appliance or any other appliance. Inform the customer service.

In case the eyes get into contact with the refrigerant, rinse immediately it under running water and call immediately the eye specialist.

**WARNING:** The refrigeration system is under high pressure. Do not tamper with it. Since the flammable refrigerants are used, please, install, handle and service the appliance strictly according to the instruction and contact the professional agent or our after-sales service to dispose of the appliance.

## 2.1 Intended use

This appliance is intended to be used in household and similar applications such as

- staff kitchen areas in shops, offices and other working environments;
- farm houses and by clients in hotels, motels and other residential type environments;
- bed and breakfast type environments;
- catering and similar non-retail applications.

► If the appliance is not used for an extended period of time, and you will use only the Holiday-function or the fridge off function for the refrigerator/freezer:

- Take out the food.
- Unplug the power cord.
- Empty and clean the watertank.
- Clean the appliance as described above.
- Keep the doors open to prevent the creation of bad odours inside.

► To ensure the safe preservation of foodstuffs or wine, please comply with this instruction to use.


► To avoid contamination of food (not valid for the wine cellar), please respect the following instructions:

- Opening the door for long periods can cause a significant increase of the temperature in the compartments of the appliance.
- Clean regularly surfaces that can come in contact with food and accessible drainage systems.
- Clean water tanks if they have not been used for 48 h; flush the water system connected to a water supply if water has not been drawn for 5 days.
- Store raw meat and fish in suitable containers in the refrigerator/freezer, so that it is not in contact with or drip onto other food. To ensure the safe preservation of foodstuffs, instant food and raw meat / fish shall be stored separately.
- Two-star frozen-food compartments are suitable for storing pre-frozen food, storing or making ice cream and making ice cubes.
- One-, two- and three-star compartments are not suitable for the freezing of fresh food.
- If the refrigerating appliance is left empty for long periods, switch off, defrost, clean, dry, and leave the door open to prevent mould developing within the appliance.

► The details on the most appropriate part in the compartment of the appliance where specific types of food shall be stored, considering the distribution of temperature that can be present in the different compartments of the appliance are in the part of the other manual.

## Disposal



The  symbol on the product or on its packaging indicates that this product may not be treated as household waste. Instead it shall be handed over to the applicable collection point for the recycling of electrical and electronic equipment. By ensuring this product is disposed of correctly, you will help prevent potential negative consequences for the environment and human health, which could otherwise be caused by inappropriate waste handling of this product. For more detailed information about recycling of this product, please contact your local city office, your household waste disposal service or the shop where you purchased the product.

Since the flammable insulation blowing gases are used, please contact the professional agent or our after-sale service to dispose of the appliance.

### WARNING!

#### Risk of injury of suffocation!

Refrigerants and gases must be disposed of professionally. Ensure that the tubing of the refrigerant circuit is not damaged before being properly disposed of. Disconnect the appliance from the mains supply. Cut off the mains cable and dispose of it. Remove the trays and drawers as well as the door catch and seals to prevent children and pets to get closed in the appliance.

Changes or modifications to the device are not allowed. Unintended use may cause hazards and loss of warranty claims.

## 2.2 Accessories

Check the accessories and literature in accordance with this list (Fig. 2.2):



Ice cube trays



Egg tray



Bolt driver



Warranty card



User manual

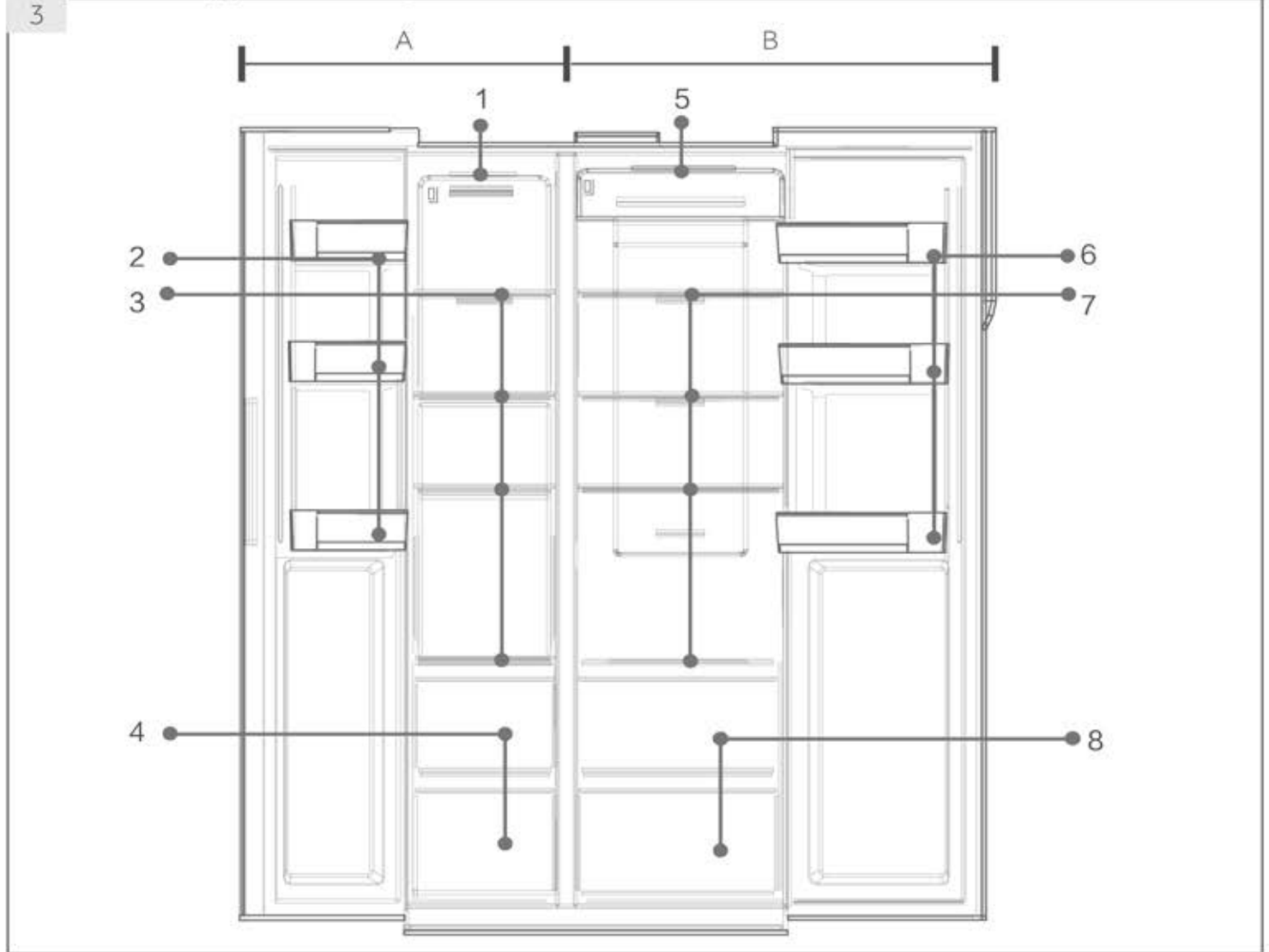
2.2



## Notice

Due to technical changes and different models, some of the illustrations in this manual may differ from your model.

### Pictures of appliances (Fig. 3)



#### A: Freezer compartment

- 1 Ceiling lamp
- 2 Door rack/bottle holder
- 3 Freezer Shelves
- 4 Freezer Box

#### B: Fridge compartment

- 5 Ceiling lamp
- 6 Door rack/bottle holder
- 7 Fridge Shelves
- 8 Fridge Box
- 9 Water tank

HSR3918EWP\*



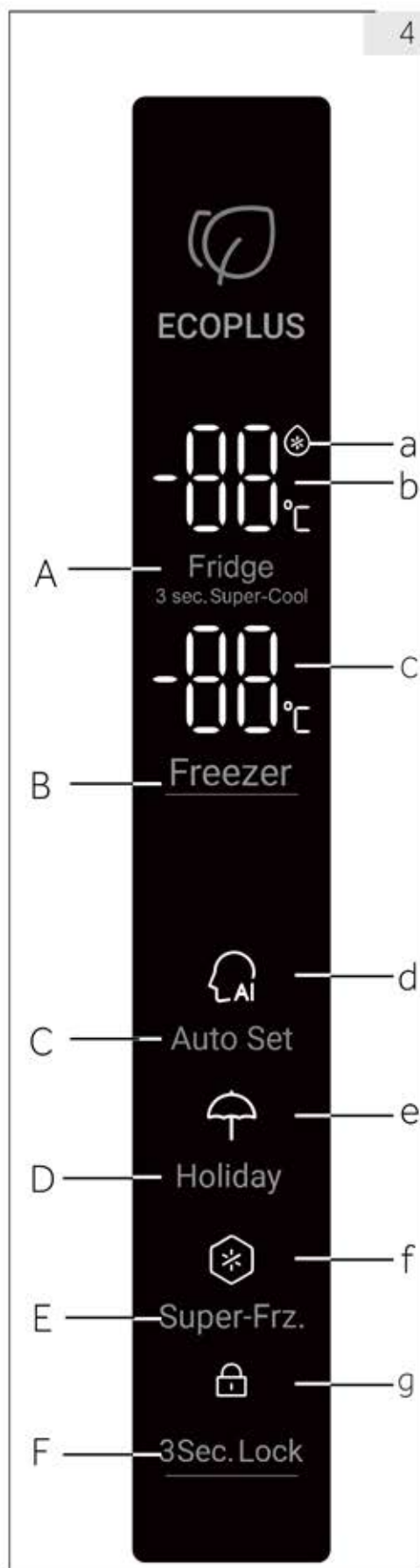
## Control panel (Fig. 4)

### Keys:

- A Fridge selector
- B Freezer selector
- C Auto Set mode
- D Holiday mode
- E Super-Freeze mode
- F Panel lock selector

### Indicators:

- a Super-Cool mode
- b Fridge Temperature
- c Freezer Temperature
- d Auto Set mode
- e Holiday mode
- f Super-Freeze mode
- g Panel lock



### 5.1. First Use

When the refrigerator first connects with power, the display is on. The default temperature for fridge compartment is 4°C, and freezer is -18°C. The intelligence function light is on.

### 5.2. Lock/ Unlock Panel

Automatic Lock:

When the fridge door and the freezer door are closed, and there is no operation on any button for 30s, the panel light will automatically turn off, and the panel is locked.

Manual Lock:

When the panel is unlocked, press the Lock button for 3 seconds, and the buzzer make a buzzing sound, the lock indicator is on, and then the display is locked.



Press for 3 sec. indicator is on  
Panel is locked

Unlock:

When the panel is off, open any door of the refrigerator or touch any button on the control panel, the panel will light up. At this time, the panel is locked. Press the lock function button for 3 seconds, the buzzer will sound, the lock indicator is off and the panel is unlocked.



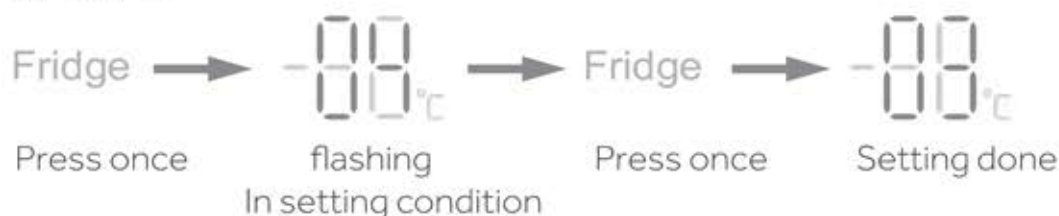
The Panel is on  
Open the door or  
Press any button

Hold 3 sec

The indicator is off  
The Panel is unlocked

### 5.3. Adjust the temperature for fridge

1. When the control panel is unlocked, press the "Fridge selector", and the buzzer sounds, Fridge temperature indicator flashes. Now the fridge temperature can be set.
2. Then every press of the fridge selector, the buzzer sounds, and the setting downshifts by 1. The shift sequence is in a continuous loop as "4°C / 3°C / 2°C / 1°C / 9°C / 8°C / 7°C / 6°C / 5°C / 4°C"

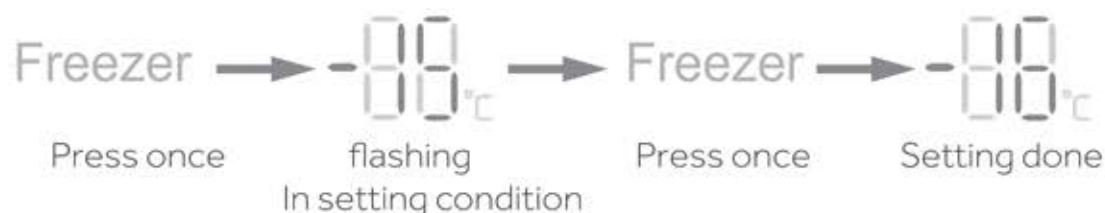


#### Notice

► The appliance is preset to the recommended temperature of 4°C (refrigerator) and -18°C (freezer). Under normal ambient conditions you do not need set a temperature.

#### 5.4. Adjust the temperature for freezer

1. When the control panel is unlocked, press the "Freezer selector", and the buzzer sounds, Freezer temperature indicator flashes. Now the freezer temperature can be set.
2. Then every press of the freezer selector, the buzzer sounds, and the temperature down shifts by 1. The shift sequence is in a continuous loop as "-18°C/-19°C/-20°C/-21°C/-22°C/-23°C/-24°C/-14°C/-15°C/-16°C/-17°C/-18°C".

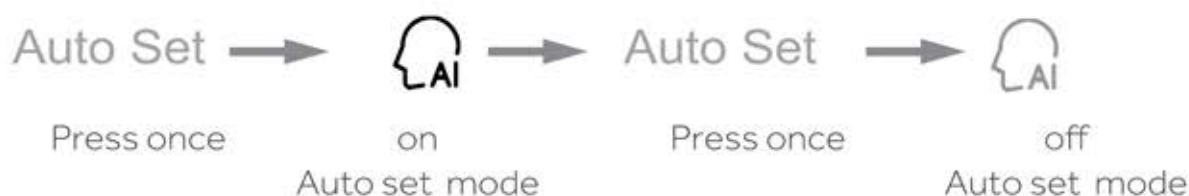


#### **i** Notice

- ▶ The temperature is set, if no button is pressed in 5 seconds, the temperature will be automatically confirmed and saved.

#### 5.5. Auto set

1. When the control panel is unlocked, press the "Auto set mode selector", and the buzzer sounds. Auto set mode indicator is on. Auto set mode starts.
2. When Auto set mode indicator is on, press the Auto set mode selector, and the buzzer sounds, the Auto set mode indicator is off, and Auto set mode closes.



#### **i** Notice

- ▶ When the Auto set mode is on, the fridge temperature and the freezer temperature can not be selected. When the fridge selector or the freezer selector is pressed, Auto set mode indicator flashes with sounds reminding that the operation is not allowed. With the Auto set mode, if the fast cool, fast freeze or holiday function is selected, the Auto set mode is off, and Auto set mode automatically closes.

## 5.6. Holiday mode

Holiday mode is designed for the situation that the refrigerator will not be used for long time. When the holiday mode is on, the freezer temperature can be selected, while the fridge temperature is automatically set as 17°C, which avoids any odor due to high temperature in fridge compartment, and also saves energy consumption.

1. When the control panel is unlocked, press the "Holiday mode selector", and the buzzer sounds, Holiday Function indicator is on. Holiday mode starts.

2. When Holiday mode indicator is on, press the Holiday Function selector, and the buzzer sounds, the Holiday mode indicator is off, and Holiday mode closes.



### Notice

- ▶ When the Holiday mode is on, the fridge temperature can not be selected. When the fridge selector is pressed, Holiday mode indicator flashes with sounds reminding that the operation is not allowed.  
Before the holiday mode is selected, please empty the fridge compartment to avoid any food deterioration. With the holiday mode on, the intelligence function and fast cool can not be simultaneously selected. If intelligence mode or fast cool is selected, the holiday mode indicator is off and the function automatically closes.

## 5.7. Super-Cool mode

1. When the control panel is unlocked, press the "Fridge selector" for 3 seconds, and the buzzer make a buzzing sound, super cool indicator illuminates. Super-cool starts.

2. When super-cool indicator on, press the fridge selector for 3s, the buzzer make a sound, the super-cool indicator is off. Super cool mode closes

3. When the super-cool mode is on, the refrigerator will automatically switch to the super-cool mode off state after the super-cool mode reaches the set condition. If you want to exit manually, you can press the fridge selector for 3s to turn off the super-cool mode.



### Notice

- ▶ With the super-cool function on, the Fuzzy mode and holiday mode can not be simultaneously selected. If Fuzzy mode or holiday mode is selected, the super-cool indicator is off and the super-cool automatically closes.

### 5.8. Super-Freeze Mode

1. When the control panel is unlocked, press the Super-freeze selector, and the buzzer sounds, the Super-freeze indicator illuminates. Super-freeze mode starts.
2. With Super-freeze indicator on, press the Super-freeze selector, the buzzer sounds, the Super-freeze indicator is off. Super-freeze mode closes.
3. When the Super-freeze mode is on, the refrigerator will automatically switch to the Super-freeze mode off state after the Super-freeze mode reaches the set condition. If you want to exit manually, you can press the Super-freeze selector for 3s to turn off the Super freeze mode.



### **i** Notice

- ▶ Super-freeze mode is designed to sustain the nutrients of the food in the freezer compartment, and the food is frozen within shortest time. If a large amount of food is to be frozen at one time, it is recommended to set the Super-freeze mode 24 hours in advance to reach to a lower temperature in the freezer compartment before the food is put in. Under this condition, the freezing speed in the freezer compartment is increased, and the food can be quickly frozen, thereby effectively locking the nutrition of the food and facilitating storage.
- In the Super freeze condition, if you want to choose the intelligence function, the Super freeze indicator is off, and the Super-freeze mode closes automatically.

### 5.9. Open door alarm

When the door opening time is too long or the door is not closed, the refrigerator will emit a drip alarm every time and then to remind you to close the door in time.

### 5.10. Energy-saving of control panel

No operation on the control panel for 30 seconds, the panel will be automatically off and enter into the locked state, which can save power. When the lock function button is pressed or any door is opened, the control panel will be illuminated.

### 5.11. Power failure memory function

When the refrigerator is powered off, the momentary working state of the power failure is memorized. After the power is connected again, the refrigerator continues to work according to the shift and functional status set before the power failure.

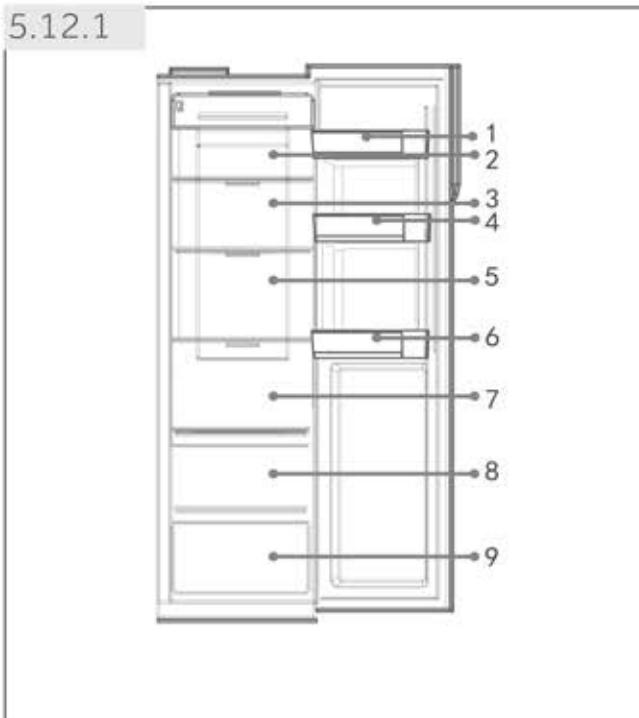
Attention: The lock function is not memorized. After the refrigerator is powered on again, the control panel starts self-checking, the lock function indicator is off, and the refrigerator is unlocked.

## 5.12 Tips on storing fresh food

### 5.12.1 Storing into the fridge compartment

- ▶ Keep your fridge temperature below 5°C.
- ▶ Hot food must be cooled to room temperature before storing in the appliance.
- ▶ Foods stored in the fridge should be washed and dried before storing
- ▶ Food to be stored should be properly sealed to avoid odour or taste alterations.
- ▶ Do not store excessive quantities of food. Leave spaces between foods to allow cold air flowing around them, for a better and more homogeneous cooling.
- ▶ Foods eaten daily should be stored at the front of the shelf.
- ▶ Leave a gap between foods and the inner walls, allowing air flowing. In special way don't store foods against the rear wall: foods could freeze against rear wall. Avoid direct contact of food (especially oily or acidic food) with the inner liner, as oil/acid can erode the inner liner. Clean away oily/acid dirt whenever it is found.
- ▶ Defreeze frozen food in the fridge storage compartment. This way, you can use the frozen food to decrease the temperature in the compartment and save energy.
- ▶ The ageing process of fruit and vegetables such as courgettes, melons, papaya, banana, pineapple, etc. can be accelerated in the fridge. Therefore, it is not advisable to store them in the fridge. However, the ripening of strongly green fruits can be promoted for a certain period. Onions, garlic, ginger and other root vegetables should also be stored at room temperature.
- ▶ Unpleasant odours inside the fridge are a sign that something has spilled and cleaning is required. See CARE AND CLEANING.
- ▶ Different foods should be placed in different areas according to their properties (Fig. 5.12.1 ):

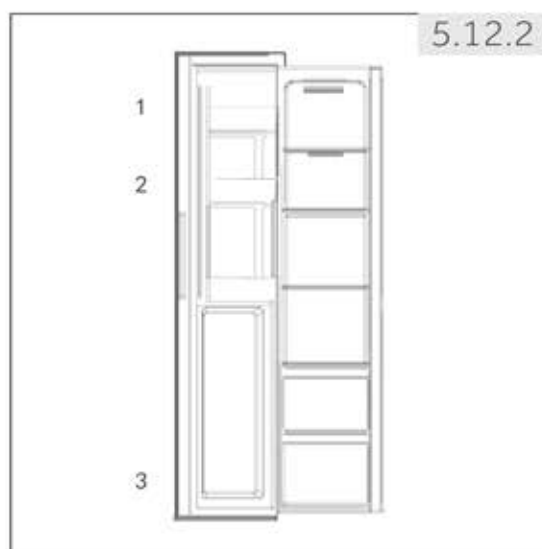
5.12.1



- 1 Butter, cheese, etc.
- 2 Pickled foods, canned food, etc.
- 3 Pickled foods, canned food, etc.
- 4 Cans, canned food, spices, etc.
- 5 Meat products, snack foods, etc.
- 6 Drinks and bottled foods.
- 7 Pasta, canned food, milk, tofu, dairy etc.
- 8 Fruits, vegetables, salad, etc
- 9 Cooked meat,sausages,etc

### 5.12.2 Storage into the freezer compartment

- ▶ Keep the freezer temperature at  $-18^{\circ}\text{C}$ .
- ▶ 24 hours before freezing switch on the Super-Freeze function; -for small quantities of food 4-6 hours are sufficient.
- ▶ Hot food must be cooled to room temperature before storing in the freezer compartment.
- ▶ Food cut into small portions will freeze faster and be easier to defrost and cook. The recommended weight for each portion is less than 2.5 kg
- ▶ It is better to pack food before putting it into the freezer. The outside of the packaging must be dry to avoid bags sticking together. Packaging materials should be odour-free, airtight, non-poisonous and nontoxic.
- ▶ In order to avoid expiration of storage periods, please note the freezing date, time limit and name of the food on the packaging according to the storage periods of different foods.
- ▶ **WARNING!** Acid, alkali and salt etc. could erode the internal surface of the freezer. Do not place the food having these substances (e.g. sea fish) directly on the internal surface. Salt water in the freezer should be cleaned up immediately.
- ▶ Do not exceed the food storage times recommended by the manufacturers. Only take the required amount of food out of the freezer.
- ▶ Different foods should be placed in different areas according to their properties (Fig. 5.12.2):



- 1 Less weighty items, such as ice cream, vegetables, bread etc.
- 2 Beverage without high alcohol and temporary storage of spirits with a high alcohol content, small parts like Pizza or herbs.
- 3 Large/heavier portions of food, such as meats joints for roasting



### Notice: Storage

- ▶ Please keep the distance more than 10 mm between the food placed and the sensor to ensure the cooling effect.
- ▶ Please keep the lowest drawer when the appliance working in order to ensure the cooling effect.
- ▶ The food with ice (like ice cream etc.) should be stored inside the freezer compartment instead of on the bottle holder, for the temperature changes at bottle holder caused by door opening and closing may thaw the food.
- ▶ Consume defrosted food quickly. Defrosted food cannot be re-frozen unless it is first cooked, otherwise it may be less edible.
- ▶ Do not load excessive quantities of fresh food in the freezer compartment. Refer to the freezing capacity of the freezer – See TECHNICAL DATA or data at the type plate.
- ▶ Food can be stored in the freezer at a temperature of at least -18°C for 2 to 12 months, depending on its properties (e.g., meat: 3-12 months, vegetables: 6-12 months)
- ▶ When freezing fresh food, avoid bringing it in contact with already frozen food. Risk of thawing!
- ▶ Defreeze frozen food in the fridge. This way, you can use the frozen food to decrease the temperature in the compartment and save energy.

#### 5.12.3 When storing commercially frozen foods, please follow these guidelines:

- ▶ Always follow manufacturers' guidelines for the length of time you should store food for. Do not exceed these guidelines!
- ▶ Try to keep the length of time between purchase and storage as short as possible to preserve food quality.
- ▶ Buy frozen foods, which have been stored at a temperature of -18 °C or below.
- ▶ Avoid buying food which has ice or frost on the packaging – This indicates that the products might have been partially defrosted and refrozen at some point – temperature rises affect the quality of food.

### 5.13 Water dispenser (HSR3918EWP\*)

With the water dispenser cool drinking water can be tapped.  
The water tank should be cleaned before first use (see CARE AND CLEANING).

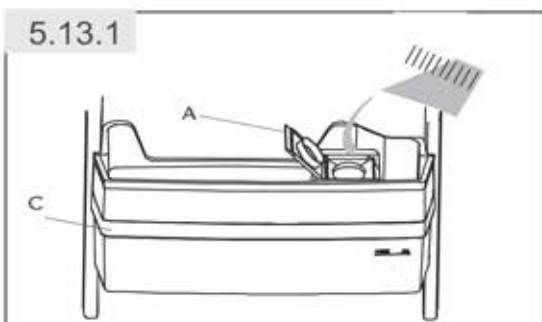
#### 5.13.1 Filling the water tank



### WARNING!

Use drinking water only.

#### 5.13.1



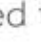

1. Ensure that the water tank is properly inserted (see EQUIPMENT)
2. Open the cap (A) and pour fresh drinking water into the water tank (Fig. 5.13.1)
3. Fill water only up to the mark (2.5 l); as it could overflow when the door opens and closes.
4. Close the cap (A) completely.



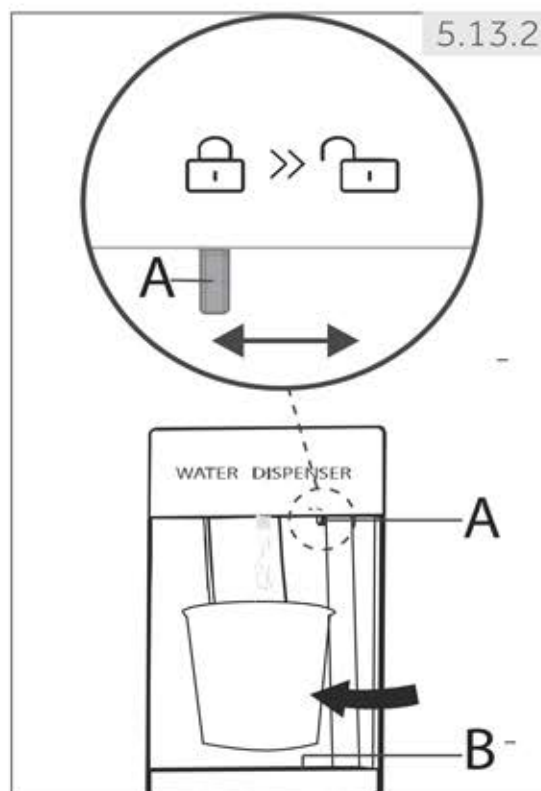
### Notice: Water dispenser

- ▶ Before refilling dispose residual water and clean the water tank.
- ▶ When you don't need water for a long time, please empty the water tank and insert the cleaned tank.
- ▶ The cover (C) on the water tank (Fig. 5.13.1) is additionally used to save energy. If you do not want to get water from the water dispenser for a long period, please still install the cover because of better insulating and saving energy.

#### 5.13.2 Getting water from the dispenser

1. Ensure the lock (A) is moved to  "Unlock" (Fig. 5.13.2).
2. Place a glass underneath the water outlet.
3. Push it gently against the water dispenser lever with your glass.  
Make sure the glass is in line with the dispenser to prevent the water from splashing out.
4. Water in the tray (B) should be removed in time, as it could overflow when the door opens and closes.
5. Slide the lock (A) to position  "Lock"

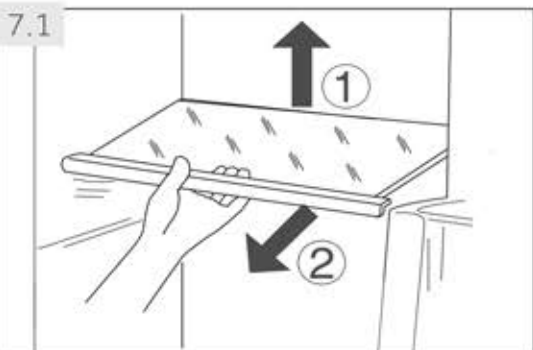
#### 5.13.2





### Energy saving tips

- ▶ Make sure the appliance is properly ventilated (see INSTALLATION).
- ▶ Do not install the appliance in direct sunlight or in the near of heat sources (e.g. stoves, heaters).
- ▶ Avoid unnecessarily low temperature in the appliance. The energy consumption increases the lower the temperature in the appliance is set.
- ▶ Functions like Super-Cool or Super-Freeze consume more energy.
- ▶ Allow warm food to cool down before placing it in the appliance.
- ▶ Open the appliance door as little and as briefly as possible.
- ▶ Do not overfill the appliance to avoid obstructing the air flow.
- ▶ Avoid air within the food packaging.
- ▶ Keep door seals clean so that the door always closes correctly.
- ▶ Defreeze frozen food in the fridge storage compartment.



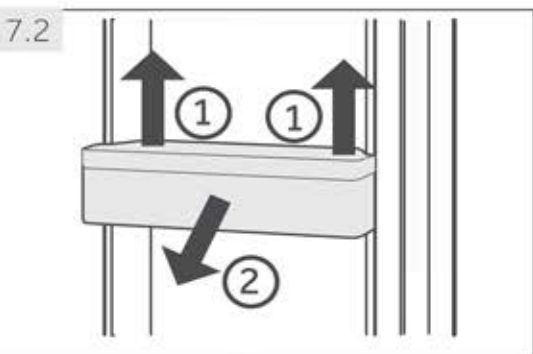
## 7.1 Adjustable shelves

The height of the shelves can be adjusted to fit your storage needs.

1. To relocate a shelf, remove it first by uplifting its hind edge (1) and pulling it out (2) (Fig. 7.1).
2. To reinstall it, put it on the lugs on both sides and push it to the most rearward position until the rear of the shelf is fixed inside the slots in the sides

### **i** Notice: Shelves

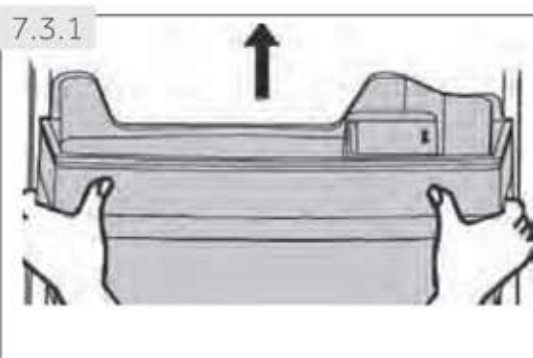
Ensure that all ends of a shelf are level.



## 7.2 Removable door racks/bottle holder

The door racks/bottle holder can be removed for cleaning:

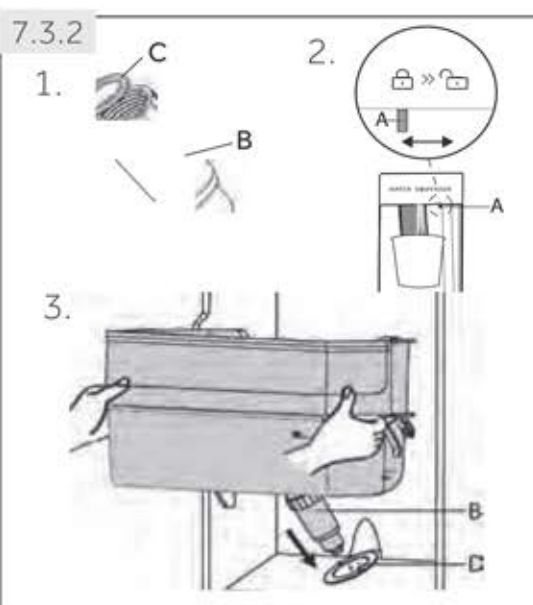
1. Place hands on each side of the rack/holder and lift it upwards (1) (Fig. 7.2).
2. Pull the door rack/bottle holder out (2).
3. In order to insert the door rack/bottle holder, the above steps are carried out in reverse order.



## 7.3 Water tank (HSR3918EWP\*)

### 7.3.1 Remove water tank

The water tank can be removed and reinstalled for cleaning in the same way as the door racks (Fig. 7.3.1).



### 7.3.2 Insert water tank

1. Make sure the dispenser spout (B) is firmly screwed to the water tank and the white O-ring (C) is in position (Fig. 7.3.2-1.).
2. Slide the lock (A) to position "Lock" (Fig. 7.3.2-2.)
3. Place the water tank in the position that the dispenser spout (B) fits into the opening of the door (D) (Fig. 7.3.2-3.).

### **i** Notice: Water tank

- ▶ If the water tank is not properly inserted, water can drip from the connection.
- ▶ Do not use excessive force when removing or installing the water tank, to avoid damaging the tank.

### 7.4 Bottle holder- freezer compartment

The bottle holders of the freezer compartment are intended for temporary storage of spirits with a high alcohol content. Beverage without high alcohol should be cooled in the fridge.

Additionally you can store small parts in the bottle holders.



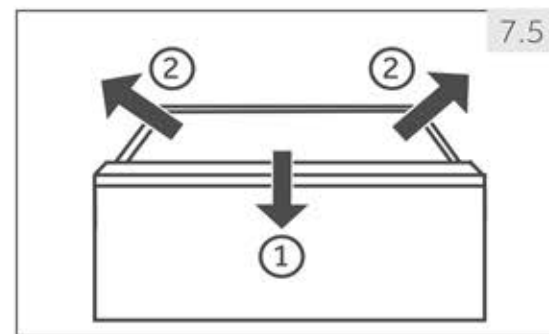
#### WARNING!

Bottles and cans may burst! Set a timer that will remind you to remove bottles/cans without high alcohol content..

### 7.5 Removable drawer

To remove the drawer out of the fridge or freezer compartment pull out to the maximum extent (1), lift and remove (2) (Fig. 7.5).

In order to insert the drawer, the above steps are carried out in reverse order.



### 7.6 The Light

The LED interior light comes on when the door is opened. The performance of the lights is not affected by any of the appliances other settings.



## WARNING!

Disconnect the appliance from the power supply before cleaning.

### 8.1 Cleaning

Clean the appliance when only little or no food is stored.

The appliance should be cleaned every four weeks for good maintenance and to prevent bad stored food odors.



## WARNING!

- ▶ Do not clean the appliance with hard brushes, wire brushes, detergent powder, petrol, amyl acetate, acetone and similar organic solutions, acid or alkaline solutions. Please clean with special fridge detergent to avoid damage.
- ▶ Do not spray or flush the appliance during cleaning.
- ▶ Do not use water spray or steam to clean the appliance.
- ▶ Do not clean the cold glass shelves with hot water. Sudden temperature change may cause the glass to break.
- ▶ Do not touch the inside surface of the freezer storage compartment, especially with wet hands, as your hands may freeze onto the surface.
- ▶ In case of heating check the condition of frozen goods.




- ▶ Always keep the door gasket clean.
- ▶ Clean the inside and housing of the appliance with a sponge dampened in warm water and neutral detergent (Fig. 8.1).

1. Please scrub the interior and exterior of the refrigerator, including door sealing, door rack, glass shelves, boxse and so on, with a soft towel or sponge dipped in warm water (you may add neu-tral detergent into the warm water).
  2. If there is liquid spilled, remove all the contaminated parts, directly rinse with the flow water, dry and place it back into the fridge.
  3. If there is spilled cream (such as the cream, melting ice cream), please remove all the contaminated parts, put into the warm water with about 40 °C for some time, then rinse with the flow water, dry and place it back into the fridge.
  4. In case some small part or component gets stucked inside of the fridge (between shelves or drawers), use small soft brush to release it. If you could not reach the part, please contact Haier service.
- ▶ Rinse and dry with soft cloth.
  - ▶ Do not clean any of the parts of the appliance in a dishwasher.
  - ▶ Allow at least 5 minutes before restarting the appliance as frequent starting may damage the compressor.

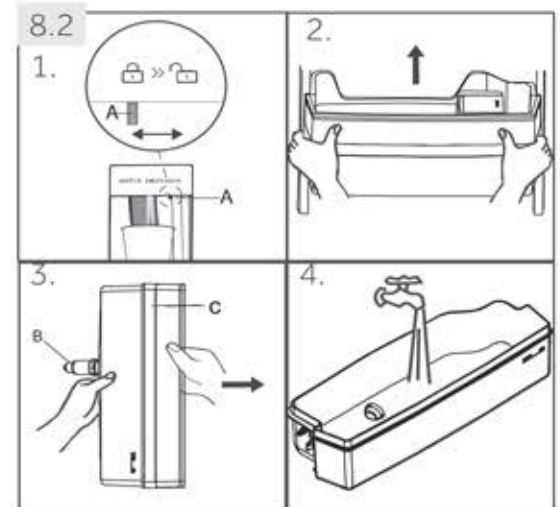
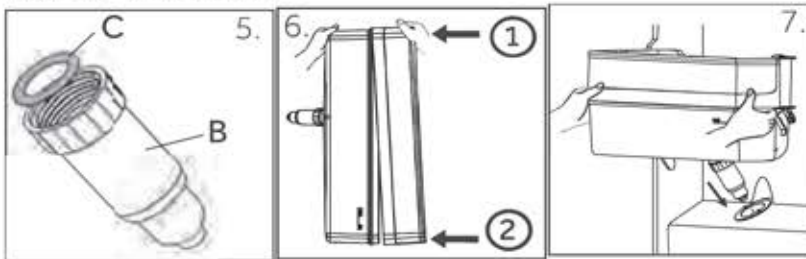
### Defrosting

The defrosting of the refrigerator and the freezer compartment are done automatically; no manual operation is needed.

### 8.2 Cleaning the water tank (Fig. 8.2) (HSR3918EWP\*)

1. Slide the lock (A) to position  "Lock".

2. Take off the water tank out of the appliance.
3. Remove the cover (C) and unscrew the dispenser spout (B) gently.
4. Clean the water tank and the dispenser spout with warm running water and liquid dishwashing detergent. Make sure all soap is rinsed off.
5. Mount the dispenser spout (B) and take care that it is firmly screwed to the water tank and the white O-ring (C) is in position.
6. Press the cover to combine it with one side of the water tank and then the other side, check water tank and cover is assembled completely.
7. Replace the tank inside the appliance. Make sure the dispenser spout is correctly inserted into the hole of the door.



### 8.3 Replacing the LED-lamps



#### WARNING!

Do not replace the LED lamp yourself, it must only be replaced by either the manufacturer or the authorised service agent.

The lamps adopts LED as its light source, featuring low energy consumption and long service life. If there is any abnormality, please contact the customer service. See CUSTOMER SERVICE.

Parameters of the lamps: : 12 V max 3 W.

### 8.4 Non-use for a longer period

If the appliance is not used for an extended period of time, and you will not use the Holiday-function for the fridge:

- ▶ Take out the food.
- ▶ Empty and clean the water tank.
- ▶ Unplug the power cord.
- ▶ Clean the appliance as described above.
- ▶ Keep the doors open to prevent the creation of bad odours inside.



#### Notice: Switch off

Turn the appliance off only if strictly necessary.

### 8.5 Moving the appliance

1. Remove all food and unplug the appliance.
2. Secure shelves and other moveable parts in the fridge and the freezer with adhesive tape.
3. Do not tilt the appliance more than 45° to avoid damaging the refrigerating system.



#### WARNING!

- ▶ Do not lift the appliance by its handles.
- ▶ Never place the appliance horizontally on the ground.

Many occurring problems could be solved by yourself without specific expertise. In case of a problem please check all shown possibilities and follow below instructions before you contact an after sales service. See CUSTOMER SERVICE.



## WARNING!

- ▶ Before maintenance, deactivate the appliance and disconnect the mains plug from the mains socket.
- ▶ Electrical equipment should be serviced only by qualified electrical experts, because improper repairs can cause considerable consequential damages.
- ▶ A damaged supply should only be replaced by the manufacturer, its service agent or similarly qualified persons in order to avoid a hazard.

## 9.1 Troubleshooting table

Problem	Possible Cause	Possible Solution
The compressor does not work.	<ul style="list-style-type: none"> <li>• Mains plug is not connected in the mains socket.</li> <li>• The appliance is in the defrosting cycle.</li> </ul>	<ul style="list-style-type: none"> <li>• Connect the mains plug.</li> <li>• This is normal for an automatic defrosting.</li> </ul>
The appliance runs frequently or runs for a too long period of time.	<ul style="list-style-type: none"> <li>• The indoor or outdoor temperature is too high.</li> <li>• The appliance has been off power for a period of time.</li> <li>• A door of the appliance is not tightly closed.</li> <li>• The door has been opened too frequently or for too long.</li> <li>• The temperature setting for the freezer compartment is too low.</li> <li>• The door gasket is dirty, worn, cracked or mismatched.</li> <li>• The required air circulation is not guaranteed.</li> </ul>	<ul style="list-style-type: none"> <li>• In this case, it is normal for the appliance to run longer.</li> <li>• Normally, it takes 8 to 12 hours for the appliance to cool down completely.</li> <li>• Close the door and ensure the appliance is located on a level ground and there is no food or container jarring the door.</li> <li>• Do not open the door too frequently.</li> <li>• Set the temperature higher until a satisfactory refrigerator temperature is obtained. It takes 24 hours for the refrigerator temperature to become stable.</li> <li>• Clean the door gasket or replace them by the customer service.</li> <li>• Ensure adequate ventilation.</li> </ul>
The inside of the fridge is dirty and/or smells.	<ul style="list-style-type: none"> <li>• The inside of the fridge needs cleaning.</li> <li>• Food of strong odour is stored in the fridge.</li> </ul>	<ul style="list-style-type: none"> <li>• Clean the inside of the fridge.</li> <li>• Wrap the food thoroughly.</li> </ul>

Problem	Possible Cause	Possible Solution
It is not cold enough inside the appliance.	<ul style="list-style-type: none"> <li>The temperature is set too high.</li> <li>Too warm goods has been stored.</li> <li>Too much food has been stored at one time.</li> <li>The goods are too close to each other.</li> <li>A door of the appliance is not tightly closed.</li> <li>The door has been opened too frequently or for too long.</li> </ul>	<ul style="list-style-type: none"> <li>Reset the temperature.</li> <li>Always cool down goods before storing them.</li> <li>Always store small quantities of food.</li> <li>Leave a gap between several foods allowing air flowing.</li> <li>Close the door.</li> <li>Do not open the door too frequently.</li> </ul>
It is too cold inside the appliance.	<ul style="list-style-type: none"> <li>The temperature is set too low.</li> <li>The Super-Cool / Super-Freeze function is activated or is running too long.</li> </ul>	<ul style="list-style-type: none"> <li>Reset the temperature.</li> <li>Switch off the Super-Cool / Super-Freeze function.</li> </ul>
Moisture formation on the inside of the fridge compartment.	<ul style="list-style-type: none"> <li>The climate is too warm and too damp.</li> <li>A door of the appliance is not tightly closed.</li> <li>The door has been opened too frequently or for too long.</li> <li>Food containers or liquids are left open.</li> </ul>	<ul style="list-style-type: none"> <li>Increase the temperature.</li> <li>Close the door.</li> <li>Do not open the door too frequently.</li> <li>Let hot foods cool to room temperature and cover foods and liquids.</li> </ul>
Moisture accumulates on the fridges outside surface or between the doors.	<ul style="list-style-type: none"> <li>The climate is too warm and too damp.</li> <li>The door is not closed tightly. The cold air in the appliance and the warm air outside it condensates.</li> </ul>	<ul style="list-style-type: none"> <li>This is normal in damp climate and will change when the humidity decreases.</li> <li>Ensure that the door is tightly shut.</li> </ul>
Strong ice and frost in the freezer compartment.	<ul style="list-style-type: none"> <li>The goods were not adequately packaged.</li> <li>A door/drawer of the appliance is not tightly closed.</li> <li>The door has been opened too frequently or for too long.</li> <li>The door gasket is dirty, worn, cracked or mismatched.</li> <li>Something on the inside prevents the door to close properly.</li> </ul>	<ul style="list-style-type: none"> <li>Always pack the goods well.</li> <li>Close the door/drawer.</li> <li>Do not open the door too frequently.</li> <li>Clean the door gasket or replace them by new ones.</li> <li>Reposition the shelves, door racks, or internal containers to allow the door to close.</li> </ul>
The appliance makes abnormal sounds.	<ul style="list-style-type: none"> <li>The appliance is not located on level ground.</li> <li>The appliance touches some object around it.</li> </ul>	<ul style="list-style-type: none"> <li>Adjust the feet to level the appliance.</li> <li>Remove objects around the appliance.</li> </ul>

Problem	Possible Cause	Possible Solution
A slight sound is to be heard similar to that of flowing water.	<ul style="list-style-type: none"> <li>This is normal.</li> </ul>	<ul style="list-style-type: none"> <li>-</li> </ul>
You will hear an alarm beep.	<ul style="list-style-type: none"> <li>The door is open.</li> </ul>	<ul style="list-style-type: none"> <li>Close the door.</li> </ul>
You will hear a faint hum.	<ul style="list-style-type: none"> <li>The anti-condensation system is working.</li> </ul>	<ul style="list-style-type: none"> <li>This prevents condensation and is normal.</li> </ul>
The interior lighting or cooling system does not work.	<ul style="list-style-type: none"> <li>Mains plug is not connected in the mains socket.</li> <li>The power supply is not intact.</li> <li>The LED-lamp is out of order.</li> </ul>	<ul style="list-style-type: none"> <li>Connect the mains plug.</li> <li>Check the electrical supply to the room. Call the local electricity company!</li> <li>Please call the service for changing the lamp.</li> </ul>
The sides of the cabinet and door strip get warm.	<ul style="list-style-type: none"> <li>This is normal.</li> </ul>	<ul style="list-style-type: none"> <li>-</li> </ul>
No water is coming out of the water dispenser spout	<ul style="list-style-type: none"> <li>Lock is not deactivated.</li> </ul>	<ul style="list-style-type: none"> <li>Deactivate the lock.</li> </ul>

## 9.2 Power interruption

In the event of a power cut, food should remain safely cold for about 5 hours. Follow these tips during a prolonged power interruption, especially in summer:

- ▶ Open the door/drawer as few times as possible.
- ▶ Do not put additional food into the appliance during a power interruption.
- ▶ If prior notice of a power interruption is given and the interruption duration is longer than 5 hours, make some ice and put it in a container in the top of the fridge compartment.
- ▶ An inspection of the goods is required immediately after the interruption.
- ▶ As temperature in the fridge will rise during a power interruption or other failure, the storage period and edible quality of food will be reduced. Any food that defrosts should be either consumed, or cooked and refrozen (where suitable) soon afterwards in order to prevent health risks.



### Notice: Memory function during power interruption

After restoration of power the appliance continues with the settings that were set before the power failure.

## 10.1 Unpacking



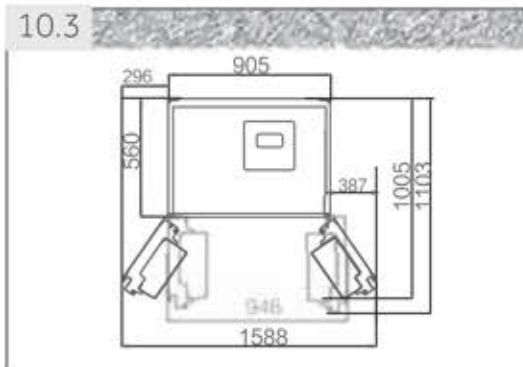
### WARNING!

- ▶ The appliance is heavy. Always handle with at least two persons.
- ▶ Keep all packaging materials out of children's reach and dispose them in an environmentally friendly manner.
- ▶ Take the appliance out of the packaging.
- ▶ Remove all packaging materials including the transparent protective film.

## 10.2 Environmental conditions

The room temperature should always be between 16° C and 43° C, since it can influence the temperature inside the appliance and its energy consumption. Do not install the appliance near other heat-emitting appliances (ovens, fridges) without isolation.

### 10.3



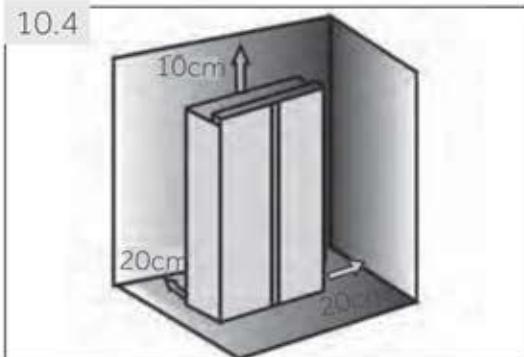
### 10.3 Space requirement

Required space when door is opened (Fig. 10.3):

Appliance width: 1588mm

Appliance depth: 1103mm

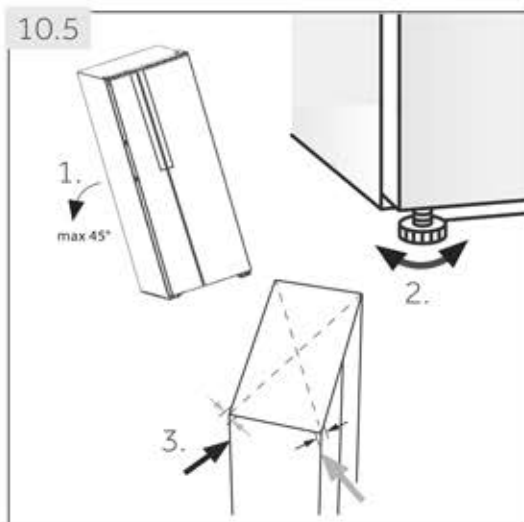
### 10.4



### 10.4 Ventilation cross-section

To achieve sufficient ventilation of the appliance for safety reasons, the information of the required ventilation cross sections must be observed (Fig. 10.4)..

### 10.5



### 10.5 Aligning the appliance

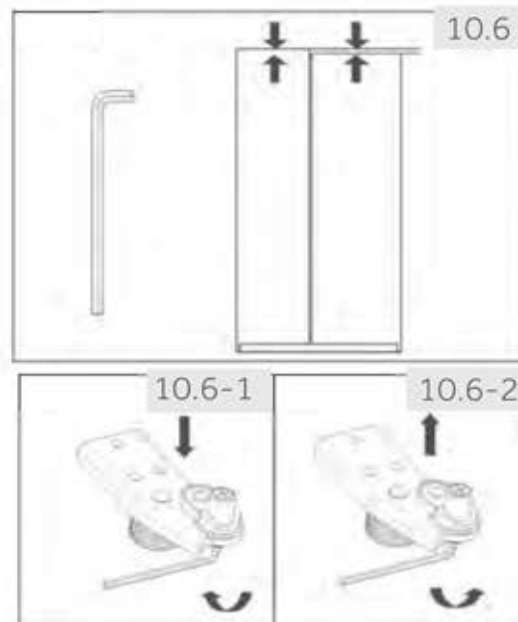
The appliance should be placed on a flat and solid surface.

1. Tilt the appliance slightly backwards (Fig. 10.5).
2. Set the feet to the desired level.
  - Make sure the distance to the wall on the hinge sides is at least 5 cm.
3. The stability can be checked by alternately bumping on the diagonals. The slightly swaying should be the same in both directions. Otherwise the frame can warp; possible leaking door seals are the result. A low tendency to the rear facilitates the closing of the doors.

## 10.6 Fine tuning of the doors

If the doors are still not in one level after levelling the doors by the feet, this mismatch can be remedied by turning the hinge lifting shaft at the right bottom corner of refrigerating door with a spanner (Fig. 10.6)

- ▶ Clockwise turn lifting shaft with spanner to lower door height (Fig. 10.6-1).
- ▶ Anticlockwise turn lifting shaft with spanner to lift door height Fig. 10.6-2).

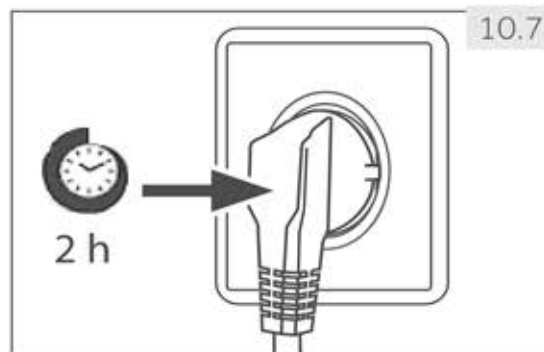


### WARNING!

Do not adjust the hinge lifting shaft excessively to a height which might cause the shaft to leave its original locked position. (Adjustable height range: 3 mm)

## 10.7 Waiting time

To the maintenance-free lubrication oil is located in the capsule of the compressor. This oil can get through the closed pipe system during slanting transport. Before connecting the appliance to the power supply you have to wait at least 2 hours (Fig.10.7) so that the oil runs back into the capsule.



## 10.8 Electrical connection

Before each connection check if:

- ▶ power supply, socket and fusing are appropriate to the rating plate.
- ▶ the power socket is earthed and no multi-plug or extension.
- ▶ the power plug and socket are strictly according.

Connect the plug to a properly installed household socket.



### WARNING!

To avoid risks a damaged power cord must be replaced by the customer service (see warranty card).

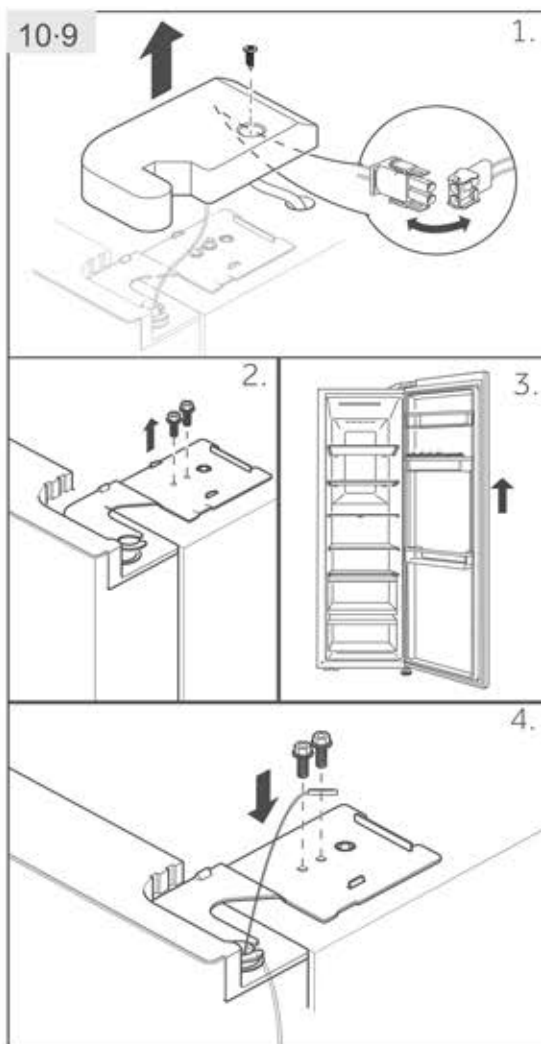
### 10.9 Removing and installing the doors and installation instructions below (Fig. 10.9).

In the event that you need to remove the appliance doors, please follow the door removal and installation instructions below (Fig. 10.9)



#### WARNING!

- ▶ Before any operation, deactivate the appliance and disconnect the mains plug from the mains socket.
- ▶ The appliance is heavy. Always handle with at least two persons.
- ▶ Do not tilt the appliance more than 45° or place it horizontally on the ground




1. Undo the hinge cover screw and remove the cover. Release the cable connector.
2. Undo the screws holding the upper hinge in position and then remove the hinge.
3. Lift the fridge compartment door to remove it.
4. Refit the door by reversing the removal steps. Ensure that the grounding cable will be fixed by the screw.



#### Notice: Fridge door

The pictures show the removing of the fridge compartment door. For the freezer door please use the corresponding parts on the other side


## 11.1 Product fiche according to regulation EU No. 1060/2010

Trade mark	Haier
Model identifier	HSR3918FNP*/ENP*/EWP*
Category of the model	Refrigerator-freezer
Energy efficiency class	A+/A++/A++
Annual energy consumption (kWh/year) <sup>1)</sup>	399/338/338
Storage volume cooling (L)	337/337/328
Storage volume freezing (L)	167/177/177
Star rating	
Temperature of other compartments > 14°C	Non applicable
Frostfree system	Yes
Temperature rise time (h)	5/7/7
Freezing capacity(kg/24h)	10
Climate class This appliance is intended to be used at an ambient temperature between 10 °C and 43°C.	SN-N-ST-T
Airborne acoustical noise emissions (db(A) re 1pW)	38
Construction type	Freestanding

based on standard test results for 24 hours. Actual energy consumption will depend on how the appliance is used and where it is located.

## 11.1.1 Additional technical data

Voltage / Frequency	220-240V ~/ 50Hz
Input power (W)	200
Main fuse (A)	15
Coolant	R600a
Dimensions (H/W/D in mm)	1775/908/647

11.1.2 Standards and directives 

This product meets the requirements of all applicable EC directives with the corresponding harmonised standards, which provide for CE marking.

We recommend our Haier Customer Service and the use of original spare parts.  
If you have a problem with your appliance, please first check section TROUBLESHOOTING.

If you cannot find a solution there, please contact

- ▶ your local dealer or
- ▶ the Service & Support area at [www.haier.com](http://www.haier.com) where you can find telephone numbers and FAQs and where you can activate the service claim.

To contact our Service, ensure that you have the following data available.  
The information can be found on the rating plate.

Model \_\_\_\_\_ Serial No. \_\_\_\_\_

Also check the Warranty Card supplied with the product in case of warranty.





**Haier**



0060524101F