

Haier

User Manual

Refrigerator-Freezer

HFKR5718DNGB(UK)

HFKR5718DNMM(UK)

EN



**WARNING: Risk of fire/flammable material****EN**

The symbol indicates there is a risk of fire since flammable materials are used. Take care to avoid causing a fire by igniting flammable material.

VAROVÁNÍ: Nebezpečí Požáru/Hořlavého Materiálu**CZ**

Symbol označuje riziko požáru, protože byly použity hořlavé materiály. Dbejte na to, aby nedošlo ke vzniku požáru zapálením hořlavého materiálu.

WARNUNG: Brandgefahr/brennbares Material**DE**

Das Symbol weist auf Brandgefahr hin, da brennbare Materialien verwendet werden. Verhindern Sie die Entstehung von Bränden, die durch entflammbare Materialien verursacht werden.

ΠΡΟΣΟΧΗ: Κίνδυνος φωτιάς/εύφλεκτο υλικό**EL**

Το σύμβολο υποδεικνύει ότι υπάρχει κίνδυνος φωτιάς επειδή χρησιμοποιούνται εύφλεκτα υλικά. Προσέχετε να αποφεύγετε την πρόκληση φωτιάς από ανάφλεξη εύφλεκτου υλικού.

ADVERTENCIA: Riesgo de incendio o material inflamable**ES**

El símbolo indica que existe riesgo de incendio, dado que se utilizan materiales inflamables. Se debe procurar evitar incendios mediante la combustión de materiales inflamables.

ATTENTION: Risque d'incendie ou de matières inflammables**FR**

Le symbole montre qu'il y a le risque de matériaux inflammables sont utilisés. Prendre soin d'éviter de provoquer un incendie en ingérant des matières inflammables.

FIGYELEM: Tűz / gyúlékony anyag veszélye**HU**

A szimbólum azt jelzi, hogy tűzveszély áll fenn, mivel gyúlékony anyagokat használnak. Ügyeljen arra, hogy ne tegyen rá tűzveszélyes gyúlékony anyagot.

ATTENZIONE: Rischio di incendio/materiale infiammabile**IT**

Il simbolo indica il rischio di incendio nel caso di utilizzo di materiali infiammabili. Fare attenzione ed evitare l'insorgere di incendi a causa della combustione di materiali infiammabili.

WAARSCHUWING: Brandrisico / brandbaar materiaal**NL**

Het systeem geeft aan dat er een brandrisico bestaat aangezien brandbaar materiaal wordt gebruikt. Zorg ervoor dat er geen brand wordt veroorzaakt door brandbaar materiaal te ontsteken.

OSTRZEŽENIE: Ryzyko pożaru/materiał łatwopalny**PL**

Symbol wskazuje, że istnieje ryzyko pożaru, ponieważ używane są materiały łatwopalne. Dbaj o to, aby uniknąć pożaru poprzez zapale nie łatwopalnego materiału.

AVISO: Risco de incêndio e material inflamável**PT**

O símbolo indica que existe um risco de incêndio, uma vez que são utilizados materiais inflamáveis. Tenha cuidado para evitar provocar um incêndio acendendo material inflamável.

AVERTISMENT: Risc de incendiu/material inflamabil**RO**

Simbolul indică că există risc de incendiu deoarece sunt folosite materiale inflamabile. Aveți grijă și evitați incendiile aprinzând materiale inflamabile.

<u>5 Safety information</u>	<u>Before first use</u>	6
	<u>Installation</u>	6
	<u>Daily use</u>	7
<u>10 Intended use</u>		
<u>11 Product description</u>		
<u>12 Control panel</u>		
<u>13 Use</u>	<u>Lock/unlock panel</u>	13
	<u>ECO MODE</u>	14
	<u>Adjust the temperature for fridge</u>	15
	<u>Adjust the temperature for freezer</u>	15
	<u>Magic Zone function</u>	15
	<u>Super Cool function</u>	17
	<u>Super Frz function</u>	18
	<u>Holiday function</u>	18
<u>20 Equipment</u>		
<u>23 Energy saving tips</u>		
<u>24 Care and cleaning</u>		
<u>26 Troubleshooting</u>		
<u>30 Installation</u>		
<u>33 Technical data</u>		
<u>35 Customer service</u>		

Thank you for purchasing a Haier Product.

Please read these instructions carefully before using this appliance. The instructions contain important information which will help you get the best out of the appliance and ensure safe and proper installation, use and maintenance.

Keep this manual in a convenient place so you can always refer to it for the safe and proper use of the appliance.

If you sell the appliance, give it away, or leave it behind when you move house, make sure you also pass this manual so that the new owner can become familiar with the appliance and safety warnings.

Accessories

Check the accessories and literature in accordance with this list:



Energy label



Warranty card



User manual
"OK" sticker



Quick Guide



WARNING – Important Safety information



NOTICE-General information and tips



Environmental information



Disposal

Help protect the environment and human health. Put the packaging in applicable containers to recycle it. Help to recycle waste of electrical and electronic appliances. Do not dispose appliances marked with this symbol with the household waste. Return the product to your local recycling facility or contact your municipal office.



WARNING!

Risk of injury or suffocation!

Refrigerants and gases must be disposed of professionally. Ensure that the tubing of the refrigerant circuit is not damaged before being properly disposed of. Disconnect the appliance from the mains supply. Cut off the mains cable and dispose of it. Remove the trays and drawers as well as the door catch and seals, to prevent children and pets to get closed in the appliance.

Before switching on the appliance for the first time read the following safety hints!:



WARNING!

Before first use

- ▶ Make sure there is no transport damage.
- ▶ Remove all packaging and keep out of children's reach.
- ▶ Wait at least two hours before installing the appliance in order to ensure the refrigerant circuit is fully efficient.
- ▶ Handle the appliance always with at least two persons because it is heavy.

Installation

- ▶ The appliance should be placed in a well-ventilated place. Ensure a space of at least 10 cm above and around the appliance.
- ▶ Never place the appliance in a damp area or location where it might be splashed with water. Clean and dry water splashes and stains with a soft clean cloth.
- ▶ Do not install the appliance in direct sunlight or in the near of heat sources (e.g. stoves, heaters).
- ▶ Install and level the appliance in an area suitable for its size and use.
- ▶ Keep ventilation openings in the appliance or in the in-built structure clear of obstruction.
- ▶ Make sure that the electrical information on the rating plate agrees with the power supply. If it does not, contact an electrician.
- ▶ The appliance is operated by a 220-240 VAC/50 Hz power supply. Abnormal voltage fluctuation may cause the appliance to fail to start, or damage to the temperature control or compressor, or there may be an abnormal noise when operating. In such case, an automatic regulator shall be mounted.
- ▶ Do not use multi-plug adapters and extension cables.
- ▶ Do not locate multiple portable socket-outlets or portable power supplies at the rear of the appliance.
- ▶ Ensure that the power cable is not trapped by the refrigerator. Do not step on the power cable.



WARNING!

- ▶ Use a separate earthed socket for the power supply which is easy accessible. The appliance must be earthed.
- ▶ Only for UK: The appliance's power cable is fitted with 3-cord (grounding) plug that fits a standard 3-cord (grounded) socket. Never cut off or dismount the third pin (grounding). After the appliance is installed, the plug should be accessible.
- ▶ Do not damage the refrigerant circuit.

Daily use

- ▶ This appliance can be used by children aged from 8 years and above and persons with reduced physical, sensory or mental capabilities or lack of experience and knowledge if they have been given supervision or instruction concerning use of the appliance in a safe way and understand the hazards involved.
- ▶ Children aged from 3 to 8 years are allowed to load and unload, but not allowed to clean or install the refrigerating appliances.
Keep away children under 3 years of age from the appliance unless they are constantly supervised.
- ▶ Children shall not play with the appliance.
- ▶ If cool gas or other inflammable gas is leaking in the vicinity of the appliance, turn off the valve of the leaking gas, open the doors and windows and do not unplug a plug in the power cable of the refrigerator or any other appliance.
- ▶ Notice that the appliance is set for operation at a specific ambient range between 10 and 43°C. The appliance may not work properly if it is left for a long period at a temperature above or below the indicated range.
- ▶ Do not place unstable articles (heavy objects, containers filled with water) on top of the refrigerator, to avoid personal injury caused by falling or electric shock caused by contact with water.
- ▶ Do not pull on the door shelves. The door may be pulled slant, the bottle rack, may be pulled away, or the appliance may topple.
- ▶ Open and close the doors only with the handles. The gap between the doors and between the doors and the cabinet is very narrow. Do not extend your hands in these areas to avoid pinching your fingers. Open or close the refrigerator doors only when there are no children standing within the range of door movement.

**WARNING!**

- ▶ Do not store or use inflammable, explosive or corrosive materials in the appliance or in the vicinity.
 - ▶ Do not store medicines, bacteria or chemical agents in the appliance. This appliance is a household appliance. It is not recommended to store materials that require strict temperatures.
 - ▶ Never store liquids in bottles or cans (besides high percentage spirits) especially carbonated beverages in the freezer, as these will burst during freezing.
 - ▶ Check the condition of food if a warming in the freezer has taken place. Do not set unnecessarily low temperature in the refrigerator compartment. Minus temperatures may occur at high settings. Attention: Bottles can burst
 - ▶ Do not touch frozen goods with wet hands (wear gloves). Especially do not eat ice lollies immediately after removal from the freezer compartment. There is the risk to freeze or the formation of frost blisters. FIRST aid: keep immediately under running cold water. Do not pull away!
 - ▶ Do not touch the inside surface of the freezer storage compartment when in operation, especially with wet hands, as your hands may freeze onto the surface.
 - ▶ Unplug the appliance in the event of a power interruption or before cleaning. Allow at least 7 minutes before restarting the appliance, as frequent starting may damage the compressor.
 - ▶ Do not use electrical devices inside the food storage compartments of the appliance, unless they are of the type recommended by the manufacturer.
- Maintenance / cleaning
- ▶ Make sure children are supervised if they carry out cleaning and maintenance.
 - ▶ Disconnect the appliance from the electrical supply before undertaking any routine maintenance. Allow at least 7 minutes before restarting the appliance, as frequent starting may damage the compressor.



WARNING!

- ▶ Hold the plug, not the cable, when unplugging the appliance.
- ▶ Do not clean the appliance with hard brushes, wire brushes, detergent powder, petrol, amyl acetate, acetone and similar organic solutions, acid or alkaline solutions. Please clean with special refrigerator detergent to avoid damage.
- ▶ Do not scrape off frost and ice with sharp objects. Do not use sprays, electric heaters like heater, hair dryer, steam cleaners or other sources of heat in order to avoid damage to the plastic parts.
- ▶ Do not use mechanical devices or other means to accelerate the defrosting process, other than those recommended by the manufacturer.
If the supply cord is damaged, it must be replaced by the manufacturer, its service agent or similarly qualified persons in order to avoid a hazard.
- ▶ Do not try to repair, disassemble or modify the appliance by yourself. In case of repair please contact our customer service.
- ▶ Eliminate the dust on the back of the unit at least once in the year to avoid hazard by fire, as well as increased energy consumption.
- ▶ Do not spray or flush the appliance during cleaning.
- ▶ Do not use water spray or steam to clean the appliance.
- ▶ Do not clean the cold glass shelves with hot water. Sudden temperature change may cause the glass to break.

Refrigerant gas information



WARNING!

The appliance contains the flammable refrigerant ISOBUTANE (R600a). Make sure the refrigerant circuit is not damaged during transportation or installation. Leaking refrigerant may cause eye injuries or ignite. If a damage has occurred, keep away open fire sources, thoroughly ventilate the room, do not plug or unplug the power cords of the appliance or any other appliance. Inform the customer service.

In case of eyes get into contact with the refrigerant, rinse immediately it under running water and call immediately the eye specialist.

Intended use

This appliance is intended for cooling and freezing food. It has been designed exclusively for use in household and similar applications such as staff kitchen areas in shops, offices and other working environments; farm houses and by clients in hotels, motels and other residential type environments as well as in bed-and-breakfast and catering business. It is not intended for commercial or industrial use.

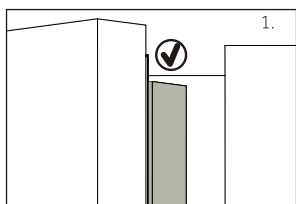
Changes or modifications to the device are not allowed. Unintended use may cause hazards and loss of warranty claims.

Standards and directives

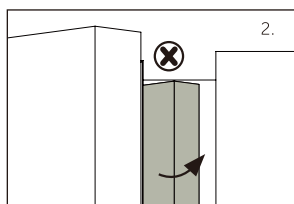
This product meets the requirements of all applicable EC directives with the corresponding harmonised standards, which provide for CE marking.



CAUTION!



When you close the door, the vertical door strip on the left door should be bent inside (1).

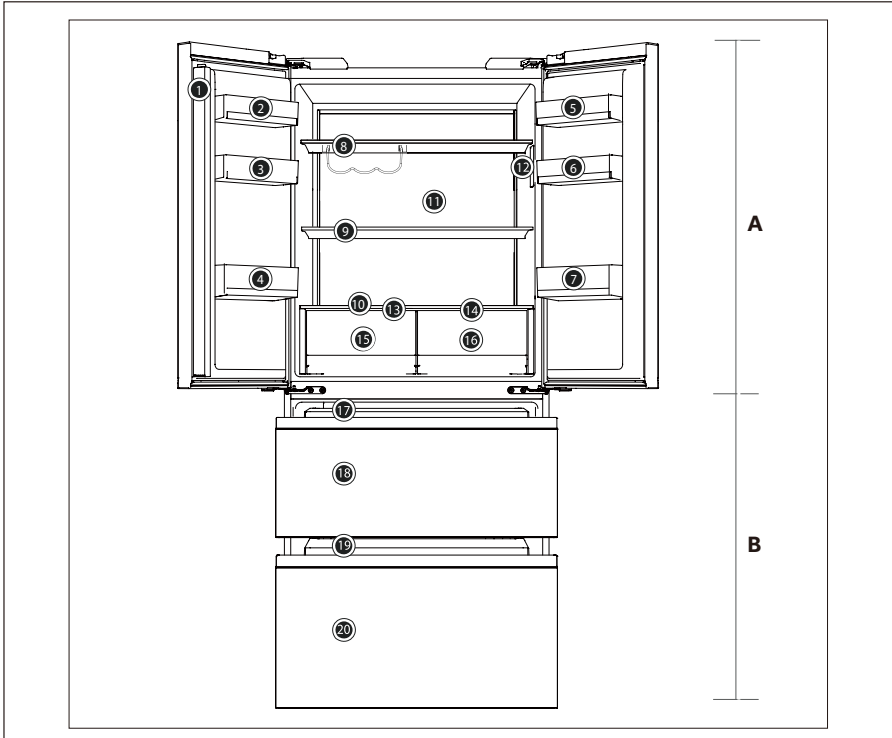


If you try to close the left door and the vertical door strip is unbent (2), you should bend it firstly, otherwise the door strip will hit the fixing shaft or right door. Thus a damage to the door slip or a leak will occur.

There is a heating thread inside the frame. The temperature of the surface will rise a little, which is normal and won't affect the function of appliance.

i NOTICE

Due to technical changes and different models, some of the illustrations in this manual may differ from your model.



A: Fridge compartment

- 1 Door beam
- 2 Bottle holder(upper left)
- 3 Bottle holder(middle left)
- 4 Bottle holder(lower left)
- 5 Bottle holder(upper right)
- 6 Bottle holder(middle right)
- 7 Bottle holder(lower right)
- 8 Glass shelf
- 9 Glass shelf
- 10 Drawer cover shelf
- 11 Back lamp
- 12 Display Panel
- 13 Activefresh drawer cover

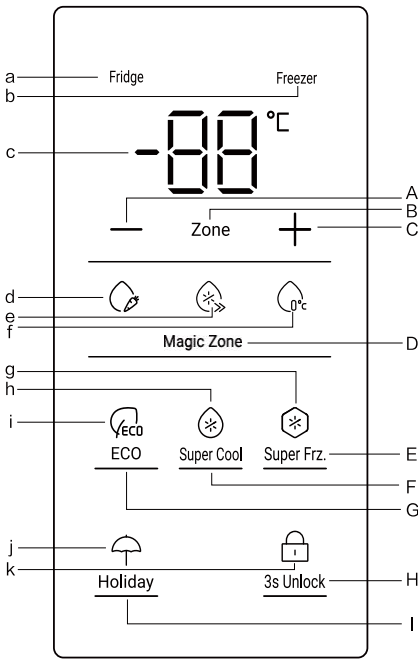
14 Magic drawer cover

- 15 Activefresh drawer
- 16 Magic drawer

B: Freezer compartment

- 17 Sliding tray
- 18 Upper freezer drawer
- 19 Sliding tray
- 20 Lower freezer drawer

Control panel



Buttons:

- A Temperature reduction button
- B Fridge & Freezer temperature mode switchover
- C Temperature rise button
- D Magic zone mode switchover
- E Super Frz. function selector
- F Super Cool function selector
- G ECO function selector
- H Display Panel lock/unlock
- I Holiday function selector

Indicators:

- a Fridge indicator
- b Freezer indicator
- c Temperature fridge & freezer compartment
- d Fruit&Veg. function
- e Cool Drink function
- f 0°C Fresh function
- g Super Frz. function
- h Super Cool function
- i ECO function
- j Holiday function
- k Display Panel lock/unlock function

Before first use

- ▶ Remove all packaging materials, keep them out of children`s reach and dispose them in an environmentally friendly manner.
- ▶ Clean the inside and outside of the appliance with water and a mild detergent before putting any food in it.
- ▶ After the appliance has been levelled and cleaned, wait for at least 2-5 hours before connecting it to the power supply. See Section INSTALLATION.
- ▶ Precool the compartments at high settings before loading with food. The function Super Frz. helps to cool down the compartments quickly.
- ▶ The refrigerator temperature and freezer temperature are automatically set to 5° C and -18° C respectively. These are the recommended settings. If desired, you can change these temperatures manually. Please see MANUAL ADJUSTING MODE.

Sensor keys

The buttons on the control panel are sensor keys, which already when lightly touched with the finger.

Switch on /of the appliance

The appliance is in operation as soon as it is connected to the power supply.

When the refrigerator is first powered on, the indicator "c" (Temperature display) illuminates. The fridge temperature and freezer temperature are automatically set to 5°C and -18°C respectively. The indicator "d" (Fruit&Veg.) illuminates.

The display panel will immediately turn off after closing the door



NOTICE

1. The appliance is preset to the recommended temperature of 5°C (refrigerator) and -18°C (freezer). Under normal ambient condition you need not to set a temperature.
2. The presetting function for the Magic Zone drawer is Fruit&Veg.
3. When the appliance is switched on after disconnection from the main power supply, it may take up to 12 hours for the correct temperatures to be reached.

Empty the appliance before switching off. To switch off the appliance, pull the power cord out of the power socket.

Lock/unlock panel

Automatic lock: When the fridge door and freezer door are closed, the display screen will be automatically extinguished and locked.

Manual unlock: When the display screen is locked, press the button "H" (3s Unlock) and hold for 3 seconds, the buzzer rings once, the indicator "k" (Panel lock) goes off, and the display is unlocked.



Manual lock: When the display screen is unlocked, press the button "H" (3s Unlock) and hold for 3 seconds, the buzzer rings once, the indicator "k" (Panel lock) illuminates, and the display is locked.



NOTICE

The display panel is locked every time the door is opened. For any settings the control panel must be unlocked.

Door opening alarm

When one of the refrigerator doors is opened for more than 3 minutes, the door opening alarm will sound. The alarm can be silenced by closing the door. If the door is left open for more than 7 minutes, the light inside the refrigerator and control panel illumination will automatically switch off.

Select the working mode

You may need to select one of the following two ways to set the appliance.

NOTICE: Influences on temperatures

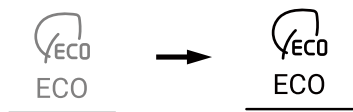
The indoor temperatures are influenced by the following factors

1. Ambient temperature.
2. Frequency of door opening.
3. Amount of stored foods.
4. installation of the appliance.

ECO MODE

If you do not have any special requirements, we recommend that you use ECO mode. In the mode, the appliance can automatically adjust the temperature setting according to the ambient temperature and temperature change in the appliance.

1. When the display screen is unlocked, press the button "G" (ECO function selector), the buzzer rings once, the indicator "i" (ECO function) illuminates, and then the ECO function will be turned on.
2. When the indicator "i" (ECO function) illuminates, press the button "G" (ECO function selector), the buzzer rings once, the indicator "i" (ECO function) goes off, and then the ECO function will be turned off.





NOTICE

In ECO function, the fridge or freeze temperature cannot be adjusted. If either button "+" or "-" is pressed to adjust the temperature of fridge or freezer, the indicator "i" (ECO function) will flash with a prompt sound to indicate that this operation cannot be carried out. In ECO function, due to different control methods, if the Super Cool, Super Frz. or Holiday function is set, the indicator "i" (ECO function) will go off. In ECO function, the function of Magic Zone can be manually adjusted according to the needs.

Adjust the temperature for fridge

When the display screen is unlocked, press the button "B" (Zone selector), select the "fridge", the indicator "a" (Fridge indicator) illuminates, and then here comes the temperature setting mode of the fridge.

Press the button "+" or "-". Every time you press the "+" or "-" buttons, the value of the refrigerated setting gear is increased by 1 or decreased by 1. The fridge temperature will display in the sequence of "9°C <-> 8°C <-> 7°C <-> 6°C <-> 5°C <-> 4°C <-> 3°C <-> 2°C <-> 1°C".



NOTICE

After setting the temperature, if there is no operation within 5 seconds, the system will be automatically determined and save the set temperature.

Adjust the temperature for freezer

When the display screen is unlocked, press the button "B" (Zone selector), select the "freezer", the indicator "b" (Freezer indicator) illuminates, and then here comes the temperature setting mode of the freezer.

Press the button "+" or "-". Every time you press the "+" or "-" buttons, the value of the refrigerated setting gear is increased by 1 or decreased by 1. The fridge tem

perature will display in the sequence of "-14°C <-> -15°C <-> -16°C <-> -17°C <-> -18°C <-> -19°C <-> -20°C <-> -21°C <-> -22°C <-> -23°C <-> -24°C".



NOTICE

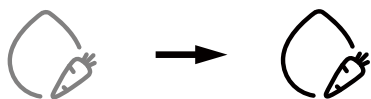
After setting the temperature, if there is no operation within 5 seconds, the system will be automatically determined and save the set temperature.

Magic Zone function

1. Fruit&Veg. function:

When the display screen is unlocked, press the button "D" (Magic Zone selector) to turn on the function, Fruit&Veg. icon lights up.

This function is suitable to store fresh fruits and vegetables.



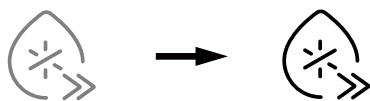
i NOTICE

Cold-sensitive fruits like pineapple, avocado, bananas, grapefruits and vegetables such as potatoes, aubergines, beans, cucumbers, zucchini and tomatoes and cheese should not be stored in the Magic Zone drawer.

2. Cool Drink function:

When the display screen is unlocked, press the button "D" (Magic Zone selector) to turn on the function. Cool Drink lights up.

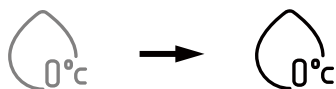
This function allows to store products such as water, coke and juice. The temperature in Magic Zone compartment is set to +2 °C.



3. 0° Fresh function:

When the display screen is unlocked, press the button "D" (Magic Zone selector) to turn on the function. 0 °C Fresh lights up.

This function sets the temperature in the Magic Zone drawer to 0 °C. Suitable to store fresh food such as meat or fish. Most foods stay fresh at 0 °C.



i NOTICE

Due to different water contents of meat. Some meat with more moisture will be frozen at temperatures lower than 0 °C. So "immediately cut" meat should be stored in Magic Zone drawer, with temperatures min. 0 °C.

i NOTICE: Magic Zone drawer

1. The three functions of the Magic Zone cannot be opened at the same time, only one can be illuminated.
2. To reduce the refrigerator compartment temperature use the Cool Drink function. To increase it, use the Fruit&Veg. function.

Super Cool function

1. When the display screen is unlocked, press the button "F" (Super Cool selector), the buzzer rings once, the indicator "h" (Super Cool function) illuminates, and then the Super Cool function will be turned on.
2. When the indicator "h" (Super Cool function) illuminates, press the button "F" (Super Cool selector), the buzzer rings once, the indicator "h" (Super Cool function) goes off, and then the Super Cool function will be turned off.
3. After the Super Cool function is turned on, the refrigerator will automatically turn off the function when it has lasted for about 4 hours. If you want to exit manually, you can press the button "G" (Super Cool selector) to turn it off.



i NOTICE

1. Under Super Cool state, the fridge temperature cannot be adjusted. If either button "+" or "-" is pressed to adjust the temperature of the fridge, the indicator "h" (Super Cool function) will flash with a prompt sound to indicate that this operation cannot be carried out.
2. In the state of Super Cool function, the ECO function and Holiday function cannot be turned on at the same time due to different control modes. When you choose one function that conflicts with another function, the original function will automatically exit.

Super Frz function

1. When the display screen is unlocked, press the button "E" (Super Freeze selector), the buzzer rings once, the indicator "g" (Super Freeze function) illuminates, and then the Super Freeze function will be turned on.
2. When the indicator "g" (Super Freeze function) illuminates, press the button "E" (Super Freeze selector), the buzzer rings once, the indicator "g" (Super Freeze function) goes off, and then the Super Freeze function will be turned off.
3. After the Super Freeze function is turned on, the refrigerator will automatically turn off the function when it has lasted for about 50 hours. If you want to exit manually, you can press the button "E" (Super Freeze selector) to turn it off.



NOTICE

1. Under Super Freeze state, the freezer temperature cannot be adjusted. If either button "+" or "-" is pressed to adjust the temperature of freezer, the indicator "g" (Super Freeze function) will flash with a prompt sound to indicate that this operation cannot be carried out.
2. In the state of Super Freeze function, the ECO function cannot be turned on at the same time due to different control modes. When you choose one function that conflicts with another function, the original function will automatically exit.
3. Super Freeze function is designed to keep nutrition value of frozen food, it will be freeze food in the shortest time. If large quantities of frozen food are to be frozen at one time. Meanwhile, Super Freeze function should be set 24h in advance, to make the freezer low temperature and put food in. At this time, the freezing speed of the freezer is improved, food can be frozen quickly, the nutrition of food is effectively kept, and the storage becomes quite convenient.

Holiday function

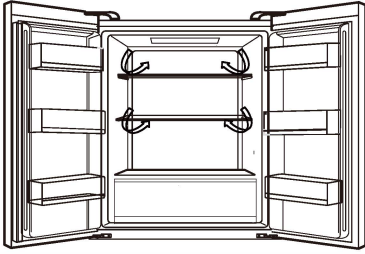
Holiday function is designed for not using the fridge for a long time. When the Holiday function is turned on, the freezer is under normal control, and the temperature of fridge is automatically set to be 17°C. The actual temperature is not higher than 17°C, which prevents peculiar smell caused by overtemperature, and helps reduce energy consumption at the same time.

1. When the display screen is unlocked, press the button "I" (Holiday function selector), the buzzer rings once, the indicator "j" (Holiday function) illuminates, and then the Holiday function will be turned on.
2. When the indicator "j" (Holiday function) illuminates, press the button "I" (Holiday function selector), the buzzer rings once, the indicator "j" (Holiday function) goes off, and then the Holiday function will be turned off.



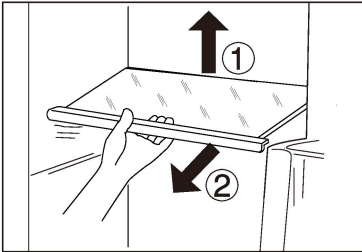
NOTICE

1. Under Holiday function, the fridge temperature cannot be adjusted. If either button "+" or "-" is pressed to adjust the temperature of fridge, the indicator "j" (Holiday function) will flash with a prompt sound to indicate that this operation cannot be carried out.
2. Before using the Holiday function, please empty the fridge to prevent food goes bad in it. When the Holiday function is turned on, either ECO function or Super Cool function cannot be turned on at the same time.
3. In Holiday function, the setting of "Fruit&Veg, Cool Drink ,0°Fresh" icons in Magic zone will be switched off and the function of Magic zone cannot be adjusted. The fridge compartment Magic zone will display in the previous setting once exiting the Holiday function.



Multi-air-flow

1. The refrigerator is equipped with a multi-air-flow system, with which cool air flows are located on every shelf level. This helps to maintain a uniform temperature to ensure that your food is kept fresher for longer.



Adjustable shelves

1. The height of the shelves can be adjusted to fit your storage needs.
2. To relocate a shelf, remove it first by uplifting its hind edge ① and pulling it out ②.
3. To reinstall it, put it on the lugs on both sides and push it to the most rearward position until the rear of the shelf is fixed inside the slots in the sides

Magic Zone drawer

In this compartment the humidity level is lower than fridge compartment. This drawer is suitable to store dry fruit and other dry food with low water content like butter, fats and oil or chocolate.

MAGICZONE | 

ACTIVEFRESHZONE drawer

In this compartment the humidity level is higher than fridge compartment. It is controlled automatically by the system and is suitable to store fruits, vegetables, salads etc.

ACTIVEFRESHZONE | 

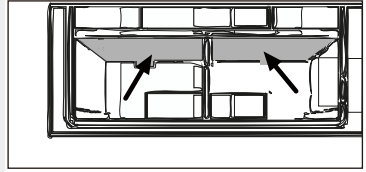


NOTICE:

Cold-sensitive fruits like pineapple, avocado, bananas, grapefruits and vegetables such as potatoes, aubergines, beans, cucumbers, zucchini and tomatoes and cheese should not be stored in the Fresh box.

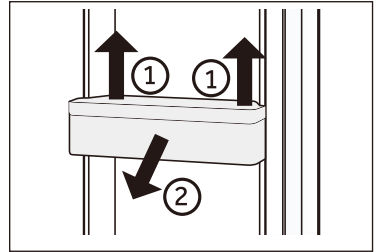
i NOTICE

1. Do not remove the plastic cover inside the two zones.
2. They maintain the humidity.
3. Cold-sensitive fruits like pineapple, avocado, bananas,
4. grapefruits are not recommended to be stored in these two drawers.



Removable door racks/bottle holder

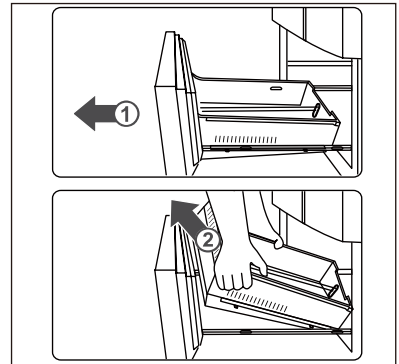
1. The door racks can be removed for cleaning:
2. Place hands on each side of the rack, lift it upwards ① and pull it out ②.
3. In order to insert the door rack, the above steps are carried out in reverse order.



Removable upper freezer drawer

1. Pull out to the upper freezer drawer to the maximum extent
2. Lift the drawer until it is separated from the support block. push it into the freezer and tilt it to take out.

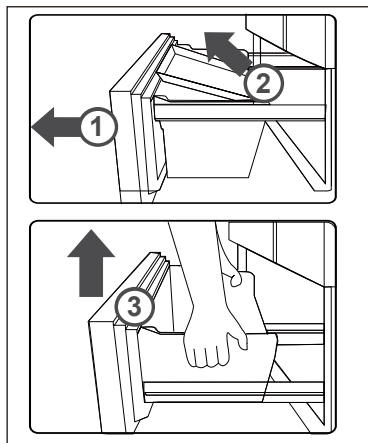
In order to insert the drawer, the above steps are carried out in reverse order.



Removable lower freezer drawer

1. Pull out to the lower freezer drawer to the maximum extent
2. Pull out the freezing tray to stop position, lift and remove.
3. Lift the drawer until it is separated from the support block. push it into the freezer and tilt it to take out.

In order to insert the drawer, the above steps are carried out in reverse order.



The Light

The LED interior light comes on when the door is opened. The performance of the lights is not affected by any of the appliances other settings.



Energy saving tips

- ▶ Make sure the appliance is properly ventilated (see INSTALLATION).
- ▶ Do not install the appliance in direct sunlight or in the near of heat sources (e.g. stoves, heaters).
- ▶ Avoid unnecessarily low temperature in the appliance. The energy consumption increases the lower the temperature in the appliance is set.
Functions like POWER- FREEZE consume more energy.
- ▶ Allow warm food to cool down before placing it in the appliance.
- ▶ Open the appliance door as little and as briefly as possible.
- ▶ Do not overfill the appliance to avoid obstructing the air flow.
- ▶ Avoid air within the food packaging.
- ▶ Keep door seals clean so that the door always closes correctly.
- ▶ Defreeze frozen food in the fridge storage compartment.
- ▶ The most energy-saving configuration requires the appliance keep drawers, food box and shelves on factory-fresh condition, and food should be placed as far as possible without blocking the air outlet of the duct.



WARNING!

Disconnect the appliance from the power supply before cleaning.

Cleaning

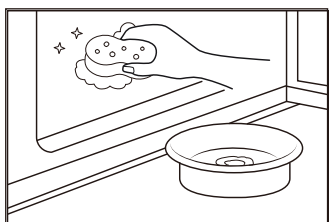
Clean the appliance when only little or no food is stored.

The appliance should be cleaned every four weeks for good maintenance and to prevent bad stored food odors.



WARNING!

- ▶ Do not clean the appliance with hard brushes, wire brushes, detergent powder, petrol, amyl acetate, acetone and similar organic solutions, acid or alkaline solutions. Please clean with special refrigerator detergent to avoid damage.
- ▶ Do not spray or flush the appliance during cleaning.
- ▶ Do not use water spray or steam to clean the appliance.
- ▶ Do not clean the cold glass shelves with hot water. Sudden temperature change may cause the glass to break.
- ▶ Do not touch the inside surface of the freezer storage compartment, especially with wet hands, as your hands may freeze onto the surface.
- ▶ In case of heating check the condition of frozen goods.



- ▶ Always keep the door gasket clean.
- ▶ Clean the inside and housing of the appliance with a sponge dampened in warm water and neutral detergent.
- ▶ 1. Please scrub the interior and exterior of the refrigerator, including door sealing, door rack, glass shelves, boxes and so on, with a soft towel or sponge dipped in warm water (you may add neutral detergent into the warm water).
- ▶ 2. If there is liquid spilled, remove all the contaminated parts, directly rinse with the flow water, dry and place it back into the fridge.
- ▶ 3. If there is spilled cream (such as the cream, melting ice cream), please remove all the contaminated parts, put into the warm water with about 40 °C for some time, then rinse with the flow water, dry and place it back into the fridge.
- ▶ 4. In case some small part or component gets stuck inside of the fridge (between shelves or drawers), use small soft brush to release it. If you could not reach the part, please contact Haier service
- ▶ Rinse and dry with soft cloth.
- ▶ Do not clean any of the parts of the appliance in a dishwasher.
- ▶ Allow at least 7 minutes before restarting the appliance as frequent starting may damage the compressor.

Defrosting

The defrosting of the refrigerator and the freezer compartment are done automatically; no manual operation is needed.

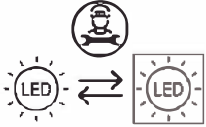
Replacing the LED-lamps



WARNING!

Do not replace the LED lamp yourself, it must only be replaced by either the manufacturer or the authorised service agent.

The lamps adopts LED as its light source, featuring low energy consumption and long service life. If there is any abnormality, please contact the customer service. See CUSTOMER SERVICE.



Replaceable (LED only) light source by a professional.

This product contains a light source of energy efficiency class G.

Compartment	Voltage	Energy efficiency class	Model
Fridge back lamp	12V	G	HFKR5718DNGB(UK) KFKR5718DNMM(UK)

Non-use for a longer period

If the appliance is not used for an extended period of time, and you will not use the Holiday-function for the refrigerator:

- ▶ Take out the food.
- ▶ Unplug the power cord.
- ▶ Clean the appliance as described above.
- ▶ Keep the doors open to prevent the creation of bad odours inside.



NOTICE

Turn the appliance off only if strictly necessary.

Moving the appliance

1. Remove all food and unplug the appliance.
2. Secure shelves and other moveable parts in the fridge and the freezer with adhesive tape.
3. Do not tilt the refrigerator more than 45° to avoid damaging the refrigerating system.



WARNING!

- ▶ Do not lift the appliance by its handles.
- ▶ Never place the appliance horizontally on the ground.

Many occurring problems could be solved by yourself without specific expertise. In case of a problem please check all shown possibilities and follow below instructions before you contact an after sales service. See CUSTOMER SERVICE.



WARNING!

- ▶ Before maintenance, deactivate the appliance and disconnect the mains plug from the mains socket.
- ▶ Electrical equipment should be serviced only by qualified electrical experts, because improper repairs can cause considerable consequential damages.
- ▶ A damaged supply should only be replaced by the manufacturer, its service agent or similarly qualified persons in order to avoid a hazard.

Problem	Possible Cause	Possible Solution
The compressor does not work.	<ul style="list-style-type: none"> • Mains plug is not connected in the mains socket. • The appliance is in the defrosting cycle 	<ul style="list-style-type: none"> • Connect the mains plug. • This is normal for an automatic defrosting
The appliance runs frequently or runs for a too long period of time.	<ul style="list-style-type: none"> • The indoor or outdoor temperature is too high. • The appliance has been off power for a period of time. • A door of the appliance is not tightly closed. • The door has been opened too frequently or for too long. • The temperature setting for the freezer compartment is too low. • The door gasket is dirty, worn, cracked or mismatched. • The required air circulation is not guaranteed. 	<ul style="list-style-type: none"> • In this case, it is normal for the appliance to run longer. • Normally, it takes 8 to 12 hours for the appliance to cool down completely. • Close the door/drawer and ensure the appliance is located on a level ground and there is no food or container jarring the door. • Do not open the door/drawer too frequently. • Set the temperature higher until a satisfactory refrigerator temperature is obtained. It takes 24 hours for the refrigerator temperature to become stable. • Clean the door/drawer gasket or replace them by the customer service. • Ensure adequate ventilation.
The inside of the refrigerator is dirty and/or smells.	<ul style="list-style-type: none"> • The inside of the refrigerator needs cleaning. • Food of strong odour is stored in the refrigerator. 	<ul style="list-style-type: none"> • Clean the inside of the refrigerator. • Wrap the food thoroughly..

Problem	Possible Cause	Possible Solution
<p>It is not cold enough inside the appliance.</p>	<ul style="list-style-type: none"> • The temperature is set too high. • Too warm goods has been stored. • Too much food has been stored at one time. • The goods are too close to each other. • A door/drawer of the appliance is not tightly closed. • The door/drawer has been opened too frequently or for too long. 	<ul style="list-style-type: none"> • Reset the temperature. • Always cool down goods before storing them. • Always store small quantities of food. • Leave a gap between several foods allowing air flowing. • Close the door/drawer. • Do not open the door/drawer too frequently.
<p>It is too cold inside the appliance.</p>	<ul style="list-style-type: none"> • The temperature is set too low. • The Super Frz/Super Cool-function is activated or is running too long. 	<ul style="list-style-type: none"> • Reset the temperature. • Switch off the Super Frz/Super Cool function
<p>Moisture formation on the inside of the refrigerator compartment.</p>	<ul style="list-style-type: none"> • The climate is too warm and toodamp. • A door/drawer of the appliance is not tightly closed. • The door/drawer has been opened too frequently or for too long. • Food containers or liquids are left open. 	<ul style="list-style-type: none"> • Increase the temperature. • Close the door/drawer. • Do not open the door/drawer too frequently. • Let hot foods cool to room temperature and cover foods and liquids.
<p>Moisture accumulates on the refrigerators outside surface or between the doors/door and drawer.</p>	<ul style="list-style-type: none"> • The climate is too warm and too damp. • The door is not closed tightly. The cold air in the appliance and the warm air outside it condensates. 	<ul style="list-style-type: none"> • This is normal in damp climate and will change when the humidity decreases. • Ensure that he door/drawer is tightly shut.

Problem	Possible Cause	Possible Solution
Strong ice and frost in the freezer compartment.	<ul style="list-style-type: none"> • The goods were not adequately packaged . • A door/drawer of the appliance is not tightly closed. • The door/drawer has been opened too frequently or for too long. • The door/drawer gasket is dirty, worn, cracked or mismatched. • Something on the inside prevents the door/drawer to close properly. 	<ul style="list-style-type: none"> • Always pack the goods well. • Close the door/drawer. • Do not open the door/drawer too frequently. • Clean the door/drawer gasket or replace them by new ones. • Reposition the shelves, door racks, or internal containers to allow the door/drawer to close.
The sides of the cabinet and door strip get warm.	<ul style="list-style-type: none"> • - 	<ul style="list-style-type: none"> • This is normal.
The appliance makes abnormal sounds.	<ul style="list-style-type: none"> • The appliance is not located on level ground. • The appliance touches some object around it. 	<ul style="list-style-type: none"> • Adjust the feet to level the appliance. • Remove objects around the appliance.
A slight sound is to be heard similar to that of flowing water.	<ul style="list-style-type: none"> • - 	<ul style="list-style-type: none"> • This is normal.
You will hear an alarm beep.	<ul style="list-style-type: none"> • The fridge storage compartment door is open. 	<ul style="list-style-type: none"> • Close the door.
You will hear a faint hum.	<ul style="list-style-type: none"> • The anti-condensation system is working 	<ul style="list-style-type: none"> • This prevents condensation and is normal
The interior lighting or cooling system does not work.	<ul style="list-style-type: none"> • Mains plug is not connected in the mains socket. • The power supply is not intact. • The LED-lamp is out of order. 	<ul style="list-style-type: none"> • Connect the mains plug. • Check the electrical supply to the room. Call the local electricity company! • Please call the service for changing the lamp.

To contact the technical assistance, visit our website: <https://corporate.haier-europe.com/en/>

Under the section "website", choose the brand of your product and your country. You will be redirected to the specific website where you can find the telephone number and form to contact the technical assistance.

Power interruption

In the event of a power cut, food should remain safely cold for about 5 hours. Follow these tips during a prolonged power interruption, especially in summer:

- ▶ Open the door/drawer as few times as possible.
- ▶ Do not put additional food into the appliance during a power interruption.
- ▶ If prior notice of a power interruption is given and the interruption duration is longer than 5 hours, make some ice and put it in a container in the top of the refrigerator compartment.
- ▶ An inspection of the goods is required immediately after the interruption.
- ▶ As temperature in the refrigerator will rise during a power interruption or other failure, the storage period and edible quality of food will be reduced. Any food that defrosts should be either consumed, or cooked and refrozen (where suitable) soon afterwards in order to prevent health risks.

Memory function during power interruption

After restoration of power the appliance continues with the settings that were set before the power failure.

Unpacking



WARNING!

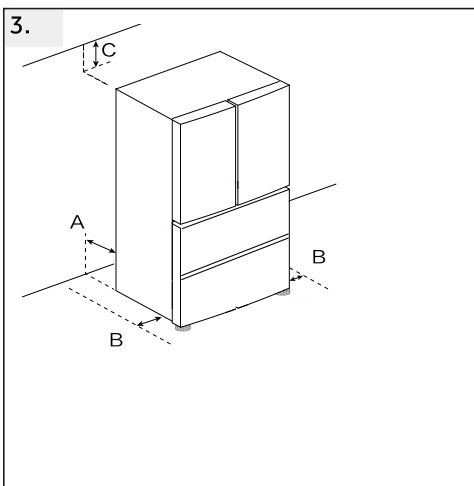
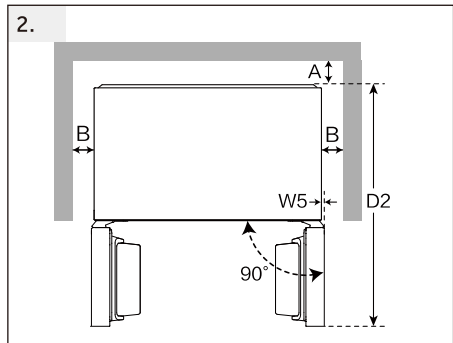
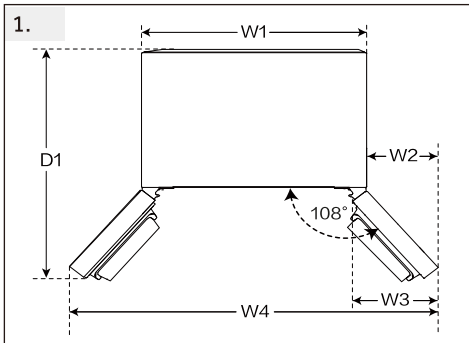
- ▶ The appliance is heavy. Always handle with at least two persons.
- ▶ Keep all packaging materials out of children's reach and dispose them in an environmentally friendly manner.
- ▶ Take the appliance out of the packaging.
- ▶ Remove all packaging materials.

Environmental conditions

The room temperature should always be between 10° C and 43° C, since it can influence the temperature inside the appliance and its energy consumption. Do not install the appliance near other heat-emitting appliances (ovens, refrigerators) without isolation.

Space recommendation

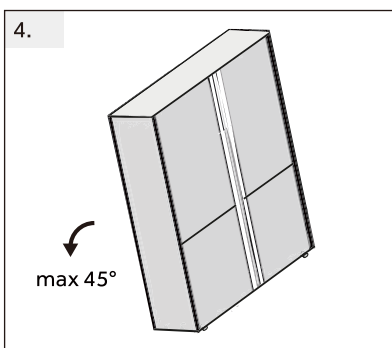
Recommended space when door is opened (Fig. 1.2.)



(Unit : mm)		HFKR5718DNGB(UK)/HFKR5718DNMM(UK)
Width	W1	700
	W2	115
	W3	368
	W4	930
	W5	0
	W	700
Distance to back wall	D1	910
	D2	918
	D	594
Distance to back wall	A	6
Distance to lateral walls	B	4
Distance to ceiling	C	9
Overall Height	H	1850

Ventilaton cross-section

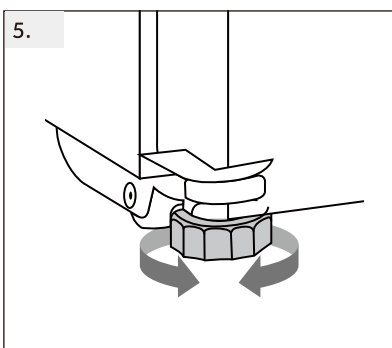
To achieve sufficient ventilation of the appliance for safety reasons, the information of the required ventilation cross sections must be observed.



Aligning the appliance (Fig.4.5.6.)

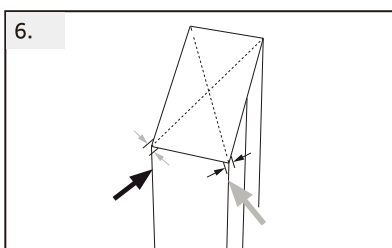
The appliance should be placed on a flat and solid surface.

4. Tilt the refrigerator slightly backwards.



5. Set the feet to the desired level.

Make sure the distance to the wall on the hinge side is at least 100 mm for the door to open properly.

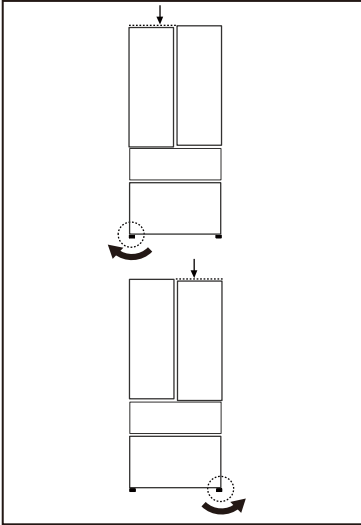


6. The stability can be checked by alternately bumping on the diagonals. The slightly swaying should be the same in both directions. Otherwise the frame can warp; possible leaking door seals are the result. A low tendency to the rear facilitates the closing of the doors.



NOTICE

For a free standing appliance: this refrigerating appliance is not intended to be used as a built-in appliance

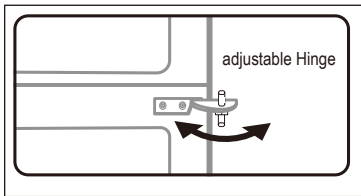


Fine tuning of the doors

If the doors are not in one level, this mismatch can be remedied by following:

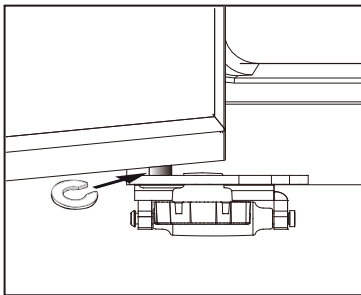
Using adjustable foot

Rotate the adjustable foot according to the direction of arrow to turn up or down the foot.



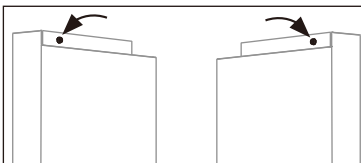
Door position adjustment

- ☒ When the two doors are not at the same height, adjustable hinges can be fine-tuned with the accompanying wrench to level the two doors. Please do not install it brutally to prevent scratches or bumps on the door trim.



Using spacers

- ☒ Open the freeze door and lift it.
- ☒ Carefully clip the spacer (enclosed in the accessory bag) in the axle of the lower hinge by hand or using tools like pliers. Do not scratch or bruise the door.



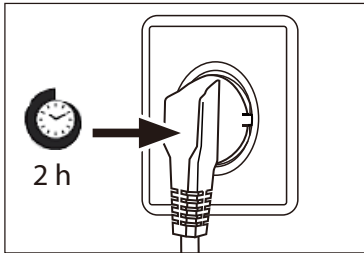
Using adjustment knob

- ☒ If the door of Refrigerator Compartment isn't level, you can rotate the adjustable knob on the upper part of the door to make fine adjustments.



NOTICE

In the future use of refrigerator, doors uneven phenomenon may occur to the weight of stored food. Then please adjust according to the above methods.



Waiting time

To the maintenance-free lubrication oil is located in the capsule of the compressor. This oil can get through the closed pipe system during slanting transport. Before connecting the appliance to the power supply you have to wait at least 2 hours so that the oil runs back into the capsule.

Electrical connection

Before each connection check if:

- ▶ power supply, socket and fusing are appropriate to the rating plate.
- ▶ the power socket is earthed and no multi-plug or extension.
- ▶ the power plug and socket are strictly according.


Connect the plug to a properly installed household socket.



WARNING!

To avoid risks a damaged power cord must be replaced by the customer service (see warranty card).

Product fiche according to regulation EU No. 2019/2016

Brand	Haier
Model name / identifier	KFKR5718DNGB(UK) KFKR5718DNMM(UK)
Category of the model	Refrigerator-freezer
Energy efficiency class	D
Annual energy consumption(kWh/year)(1)	226
Total volume(L)	402
Volume refrigerator(L)	227
Volume freezer(L)	147
Volume chill(L)	28
Star rating	
Frost-free system	Yes
Freezing capacity(kg/24h)	10.0
Climate rating(2)	SN-N-ST-T
Noise emission class and airborne acoustical noise emissions(db(A) re 1pW)	B(35)
Temperature rise time (h)	8
Type of appliance	freestanding

Explanations:

• Yes, featured

- (1) Based on the results of the standards conformance test over 24 hours. The actual consumption depends on the use and the location of the appliance.
- (2) Climate rating SN: This appliance is intended for use in an ambient temperature of between + 10°C and +32°C

Climate rating N: This appliance is intended for use in an ambient temperature of between + 16°C and +32°C

Climate rating ST: This appliance is intended for use in an ambient temperature of between + 16°C and +38°C

Climate rating T: This appliance is intended for use in an ambient temperature of between + 16°C and +43°C

Additional technical data

Voltage / Frequency	220-240V ~/ 50Hz
Input current (A)	1.8
Main fuse (A)	15
Coolant	R600a
Dimensions (H/W/D in mm)	1850 / 700 / 594

We recommend our Haier Customer Service and the use of original spare parts. If you have a problem with your appliance, please first check section TROUBLE-SHOOTING.

If you cannot find a solution there, please contact

your local dealer or
our European Call Service-Center (see listed phone numbers below) or
the Service & Support area at www.haier.com where you can activate the service claim and also find FAQs.

To contact our Service, ensure that you have the following data available. The information can be found on the rating plate.

Model _____

Serial No. _____

Also check the Warranty Card supplied with the product in case of warranty.

European Call Service-Center		
Country*	Phone number	Costs
Haier Italy (IT)	199 100 912	
Haier Spain (ES)	902 509 123	
Haier Germany (DE)	0180 5 39 39 99	<ul style="list-style-type: none"> • 14 Ct/Min Landline • max 42 Ct/Min Mobile
Haier Austria (AT)	0820 001 205	<ul style="list-style-type: none"> • 14,53 Ct/Min Landline • max 20 Ct/Min all others
Haier United Kingdom (UK)	0333 003 8122	
Haier France (FR)	0980 406 409	

* For other countries please refer to www.haier.com

Haier Europe Trading S.r.l

Branch UK

Westgate House, Westgate, Ealing

London, W5 1YY

*Duration of the guarantee of the refrigerating appliance:

Minimum guarantee is: 2 years for EU Countries, 3 years for Turkey, 1 year for UK, 1 year for Russia, 3 years for Sweden, 2 years for Serbia, 5 years for Norway, 1 year for Morocco, 6 months for Algeria, Tunisia no legal warranty required.

*The period of spare parts for the repair of the appliance:

Thermostats, temperature sensors, printed circuit boards and light sources are available for a minimum period of seven years after placing the last unit of the model on the market.

Door handles, door hinges, trays and baskets for a minimum period of seven years and door gaskets for a minimum period of 10 year, after placing the last unit of the model on the market.

*For further information about the product, please consult <https://eprel.ec.europa.eu/> or scan the QR on the energy label supplied with the appliance.

CERTIFICATE OF QUALITY

DESIGNATION: REFRIGERATOR

Q.C.PASSED

CHECKER No.

QC01

Haier



0060544476
2026 Version A