

INSTALLATION INSTRUCTIONS USER GUIDE

Box wall cooker hood

HC60BCXB2, HC90BCXB2,
and HC120BCXB2 models

GB IE

Fisher & Paykel

CONTENTS

Introduction	3
Safety and warnings	4
Installation instructions	7
About your cooker hood - Energy efficiency	17
Operating instructions	18
Cleaning and maintenance	19
Parts and accessories	21
Manufacturer's Warranty	22
Customer Care	23

IMPORTANT!

SAVE THESE INSTRUCTIONS

The models shown in this user guide may not be available in all markets and are subject to change at any time. For current details about model and specification availability in your country, please go to our website www.fisherpaykel.com or contact your local Fisher & Paykel dealer.

Registration

Register your product with us so we can provide you with the best service possible.

To register your product visit our website: www.fisherpaykel.com

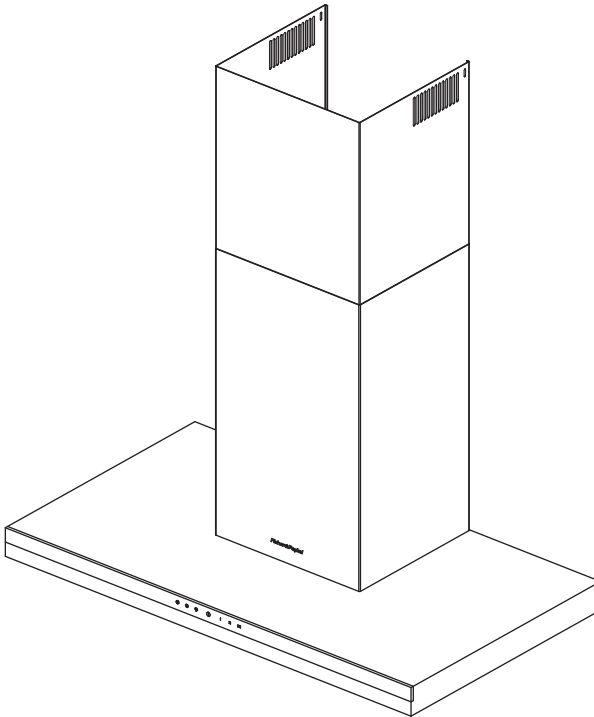
INTRODUCTION

Thank you for purchasing a Fisher & Paykel product.

Thousands of hours go into the design, engineering, testing and perfecting of each Fisher & Paykel appliance. The care and attention given to creating these beautiful products doesn't stop once it has found its home with you.

This use and care manual will answer most of your questions about the set-up, use and on-going maintenance of your Fisher & Paykel product; however if you require further information about your product and its use please consult our website for solutions and further contact information to discuss with a service representative.

To ensure you receive all relevant product updates and the best service possible, please register your Fisher & Paykel products through our website.



⚠ WARNING!



13.5 kg
(HC60)

21.5 kg
(HC90)

26 kg
(HC120)

Weight Hazard

The cooker hood is heavy. Please ensure adequate care is taken when installing the cooker hood to prevent personal injury. The cooker hood must be installed onto a solid wall, stud, beam or truss. Weight of the product is 13.5 kg (HC60) / 21.5 kg (HC90) / 26 kg (HC120).

⚠ WARNING!



Electric Shock Hazard

Always disconnect the appliance from the mains power supply before carrying out any maintenance or repairs. Alterations to the domestic wiring system must only be made by a qualified electrician. Failure to follow this advice may result in electrical shock or death.

IMPORTANT SAFETY INSTRUCTIONS

WARNING!

When using this appliance always exercise basic safety precautions including the following:

- Please read the entire set of instructions before installing the cooker hood.
- Ducting accessories are not supplied. All ducting must comply with local requirements and building codes.
- Before connecting any pipes, consult municipal ordinances to ensure that any applicable regulations concerning the discharge of exhaust air are adhered

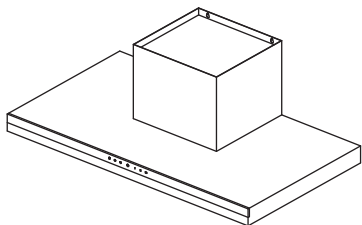
to and request permission from the person in charge of the building.

- Exhaust air must not be discharged into a flue that is used for exhausting fumes from appliances burning gas or other fuels.
- There shall be adequate ventilation of the room when the cooker hood is used at the same time as appliances burning gas or other fuels.
- The minimum distance between the supporting surface for cooking vessels on the hob and the lowest part of the cooker hood shall be 600 mm, or 650 mm if installed over a gas hob.
- Stainless steel is very easily damaged during installation if abraded or knocked by tools. It is recommended to protect the top of the cooker hood with cardboard or polystyrene during the installation to minimise the risk of damage occurring.
- To reduce the risk of damage occurring to the hob, it is recommended that the surface of the hob is protected with cardboard or a similar object during installation of the cooker hood.
- Attention should be given to ensure that any applicable regulations concerning the discharge of exhaust air are fulfilled.
- To comply with electrical safety regulations, the cooker hood must be plugged into a socket near the appliance. The socket must be accessible, or have an accessible isolating switch, to enable the end user to isolate the cooker hood from the power for the purpose of internal cleaning or maintenance.
- A power outlet should be within 750 mm of the motor assembly and can be either on the wall, behind the chimney or in the ceiling.

- **Always switch the power off prior to installation, servicing or cleaning the cooker hood.**
- **If the supply cord of this equipment is damaged it must only be replaced by the manufacturer, its service agent or similarly qualified person in order to avoid a hazard.**
- **This appliance can be used by children aged from 8 years or above and persons with reduced physical, sensory or mental capabilities or lack of experience or knowledge if they have been given supervision or instruction concerning use of the appliance in a safe way and understand the hazards involved. Children shall not play with the appliance. Cleaning and user maintenance shall not be made by children without supervision.**
- **You must read the details concerning the method and frequency of cleaning.**
- **There is a fire risk if cleaning is not carried out in accordance with the instructions.**
- **Never leave frying food unattended since grease can overheat and catch fire. The risk of fire is even greater in the case of used oil.**
- **Do not flambé under the cooker hood.**
- **Never use the cooker hood without the filters in place.**
- **During climatic conditions causing electrical interference, it is possible that the device may stop working. By switching the device off and on the device will resume normal operation safety.**
- **During an electrostatic discharge (ESD) it is possible that the device will stop working. By switching the device off and on the device will again work as intended. There will be no risk of hazard presenting in the product.**
- **CAUTION: Accessible parts may become hot when used with cooking appliances.**

INSTALLATION INSTRUCTIONS

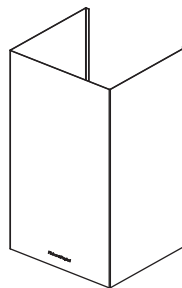
Contents of packaging



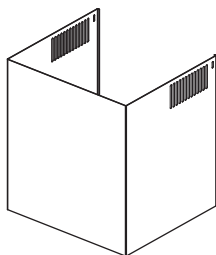
Cooker hood
(1)



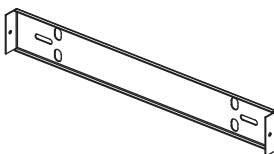
Installation instructions
User guide manual
(1)



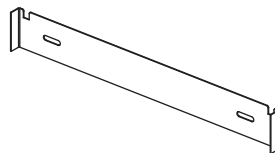
Chimney
(1)



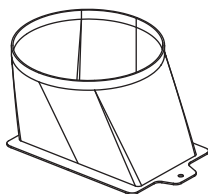
Upper chimney
(1)



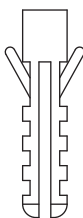
Upper chimney bracket
(1)



Chimney bracket
(1)



Ducting adapter
(150 mm Ø)
(1)



Expansion plug
(8)



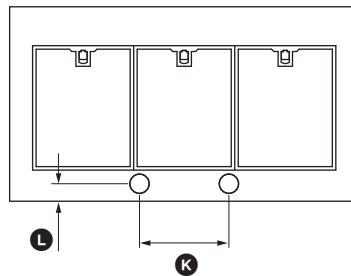
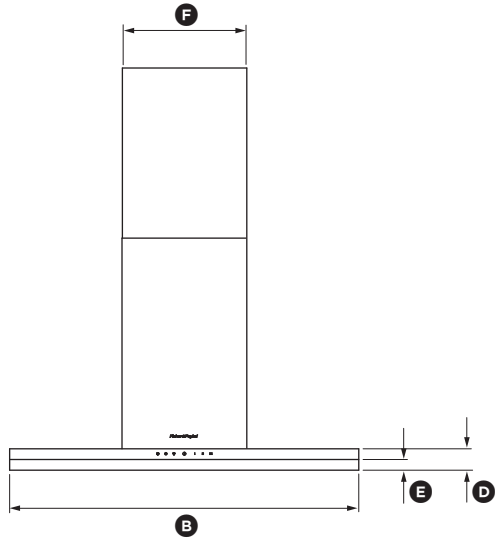
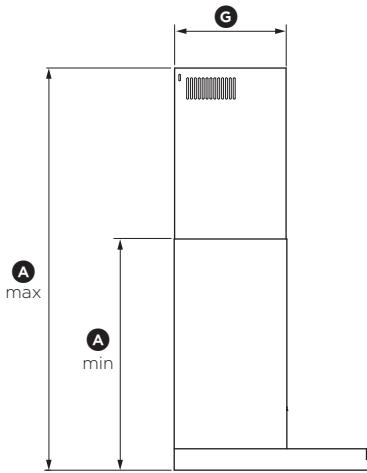
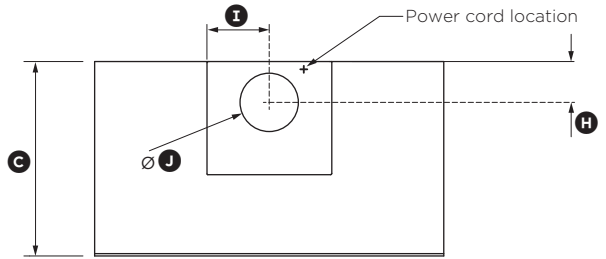
30 mm self
tapping screw
(8)



10 mm self
tapping screw
(4)

INSTALLATION INSTRUCTIONS

Product dimensions



INSTALLATION INSTRUCTIONS

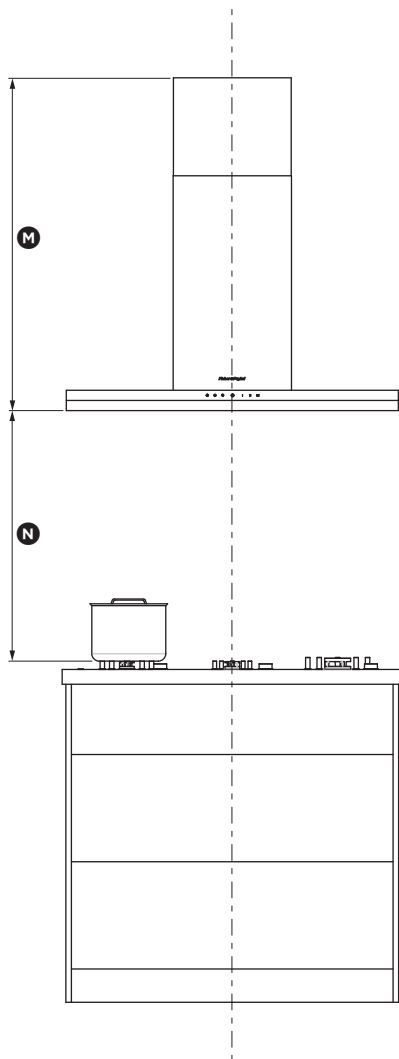
	HC60BCXB2	HC90BCXB2	HC120BCXB2
PRODUCT DIMENSIONS			mm
Ⓐ Overall height of product	595 - 1035	595 - 1035	595 - 1035
Ⓑ Overall width of product	598	898	1198
Ⓒ Overall depth of product	500	500	500
Ⓓ Height of hood	55	55	55
Ⓔ Height of stainless strip	27	27	27
Ⓕ Width of flue	320	320	320
Ⓖ Depth of flue	290	290	290
Ⓗ Distance from centre of ducting outlet to back of product	105	105	105
Ⓘ Distance from centre of ducting outlet to side of flue	160	160	160
Ⓙ Diameter of ducting outlet	150	150	150
Ⓚ Distance between centre of lights	230	230	230
Ⓛ Distance from centre of lights to back of product	45	45	45
Length of power cord	1500	1500	1500

IMPORTANT!

Actual product dimensions may vary by ± 2 mm.

INSTALLATION INSTRUCTIONS

Height of cooker hood



INSTALLATION DIMENSIONS

mm

Ⓜ Installation height	Ducted	min. 635 - max. 1035
	Recirculation	min. 675 - max. 1035
Ⓝ Height top of hob to base of product	Electric hob	min. 600 - max. 750
	Gas hob	min. 650 - max. 750

INSTALLATION INSTRUCTIONS

Venting options

Attention should be given to ensure that any applicable regulations concerning the discharge of exhaust air are fulfilled.

The cooker hood can be installed to operate with the exhaust air ducted externally from the kitchen, or installed to operate with the exhaust air recirculating within the kitchen.

Ducted

For ducted installation it is recommended that 150 mm diameter, rigid or semi-rigid ducting is used. This will require a 160 mm (min) round hole in the ceiling or wall. Care should be taken to position the hole correctly.

For optimal efficiency, use rigid or semi-rigid ducting for reduced noise and increased airflow. Flexible ducting should only be used as a last resort (ie in difficult installations) and if used, ensure that it is pulled tight.

Recirculating

To enable the product to operate with the air recirculating, please purchase a recirculation diverter and carbon filters (refer to the 'Parts and accessories' section). The recirculation diverter is required to channel the air out the side vents at the top of the flue and the carbon filters are required to remove odours.

Note: a ducting hole is not required in the wall or ceiling if the cooker hood is installed to operate with exhaust air recirculating.

INSTALLATION INSTRUCTIONS

Installation

WARNING!

This product is heavy and requires two persons for installation.

WARNING!

Failure to install the screws or fixing device in accordance with these instructions may result in electrical hazards.

The manufacturer is not liable for any damage caused by not following these instructions.

① Preparing for installation:

Before installing your cooker hood:

- Please read the instructions carefully.
- Unpack the cooker hood and check that all functions are working.
- Ensure that the voltage (V) and the frequency (Hz) indicated on the serial plate match the voltage and frequency at the installation site.
- Check that the area behind the installation surface to be drilled is clear of any electrical cables or pipes, etc.
- The stainless steel and glass surfaces of the cooker hood are very easily damaged during installation if grazed or knocked by tools. Please take care to protect the surfaces during installation.
- Protect the hob surface below with cardboard, or the like, to prevent damage occurring whilst the cooker hood is being installed above.
- Temporarily mark the height of the bottom of the cooker hood and the centre of the hob on the wall according to the information given in the 'Installation instructions - Height of cooker hood' section.
- The wall used for mounting the cooker hood should have sufficient strength and a flat surface.

② Attach chimney brackets and hood mounting screws

- Attach the chimney bracket and upper chimney bracket (if using the upper chimney) in the locations shown in Fig.2 and 3. Use the 30 mm screws and expansion plugs if attaching to masonry.
- Attach the upper hood mounting screws in the locations shown in Fig.2 and 3. Use the 30 mm screws and expansion plugs if attaching to masonry. Ensure that there is a 2 mm gap between the screw head and the wall - see Fig.1.

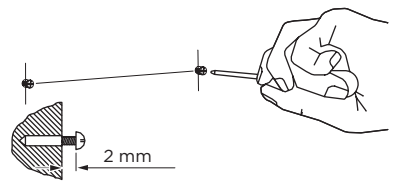


Fig.1

INSTALLATION INSTRUCTIONS

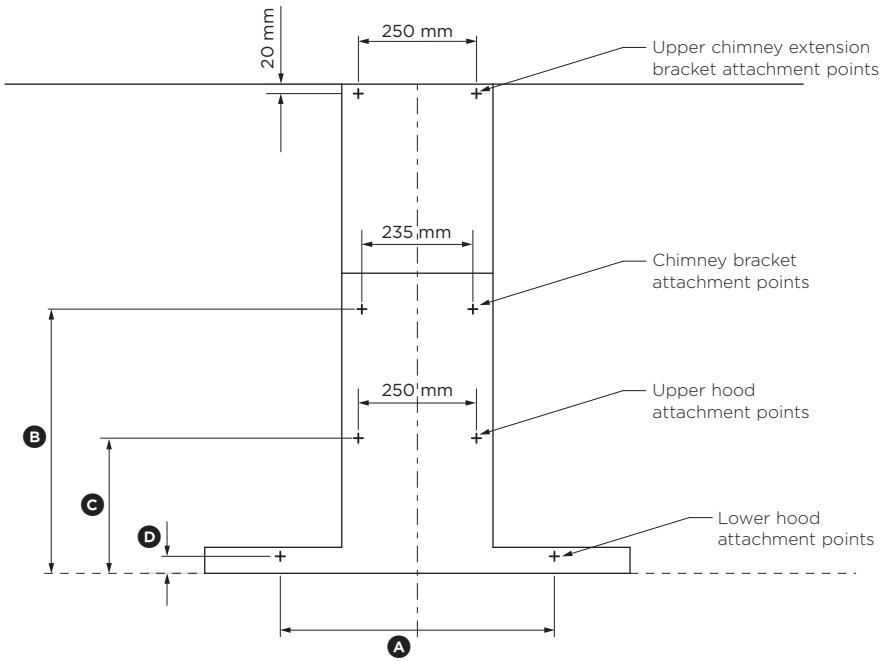
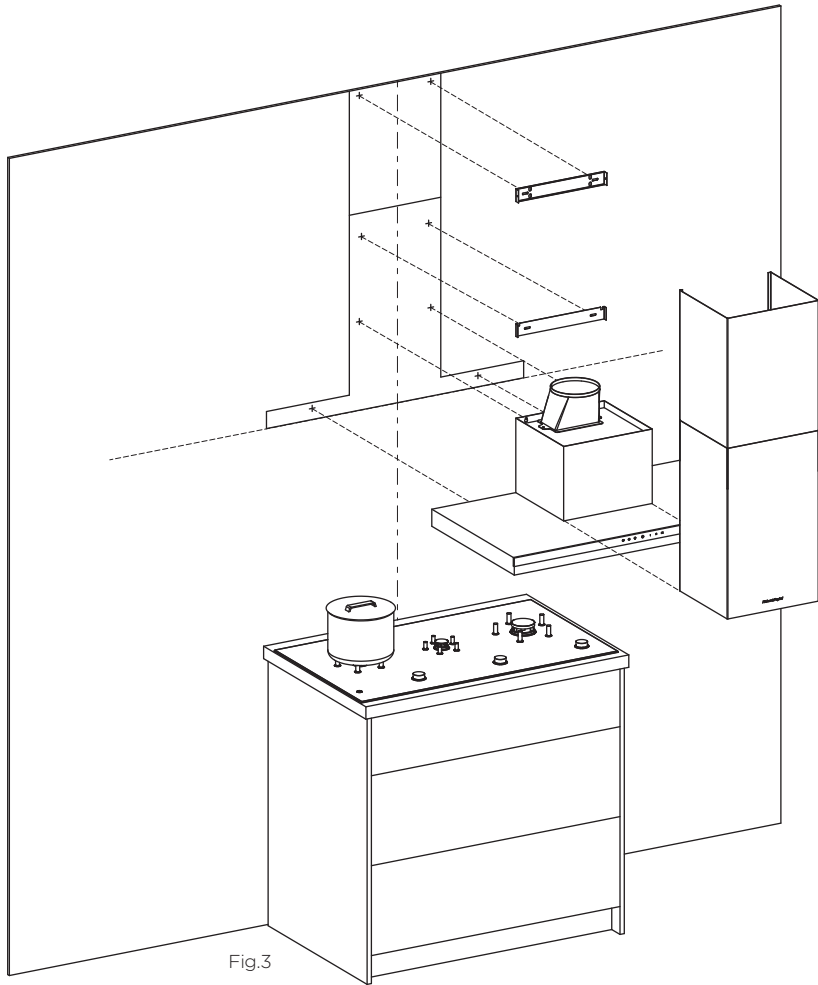


Fig.2

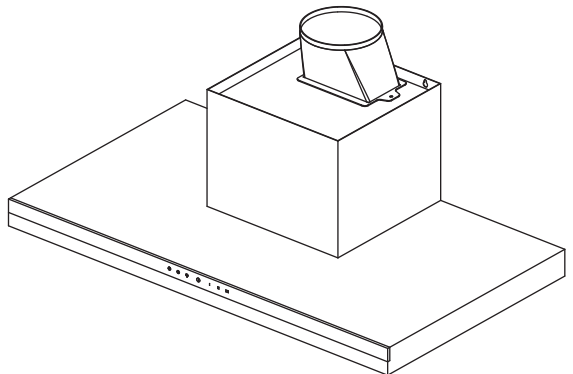
	HC60BCXB2	HC90BCXB2	HC120BCXB2
	mm		
Ⓐ	420	580	900
Ⓑ	559	559	556
Ⓒ	286	286	288
Ⓓ	36	36	42.5

INSTALLATION INSTRUCTIONS



③ Attach ducting adapter

- Place the ducting adapter onto the hood and screw it in place using the 10 mm screws.



INSTALLATION INSTRUCTIONS

④ Attach hood to wall

- Remove filters and easy clean plate from hood as shown in Fig.4.

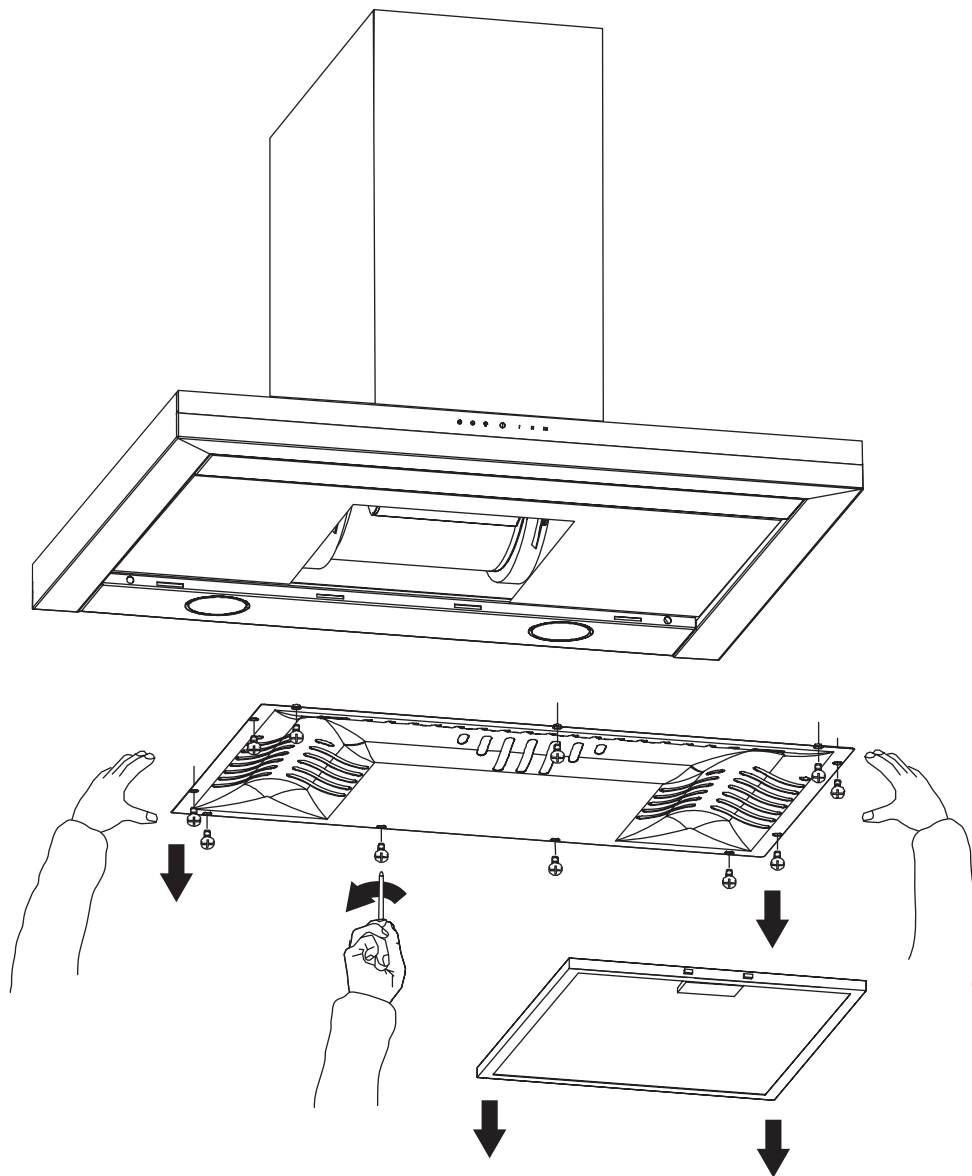
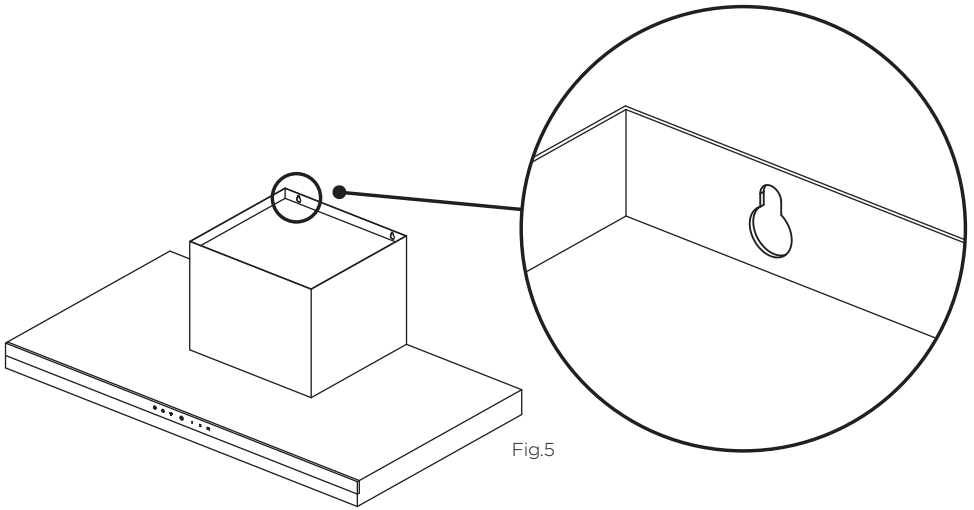


Fig.4

INSTALLATION INSTRUCTIONS



- Hang hood off upper hood mounting screws with 2 mm gap. Hang off the keyhole attachment points on the back of the hood (see Fig.5). Tighten screws.
- Attach lower hood mounting screws to fix hood to wall.
- Reattach easy clean plate and filters.

⑤ Attach ducting

- Attach ducting to ducting adapter and vent outside.

⑥ Attach chimney

- Place chimney around the hood chassis and attach to the chimney bracket.
- Extend the upper chimney and attach to the upper chimney bracket with 10 mm screws (if using upper chimney).

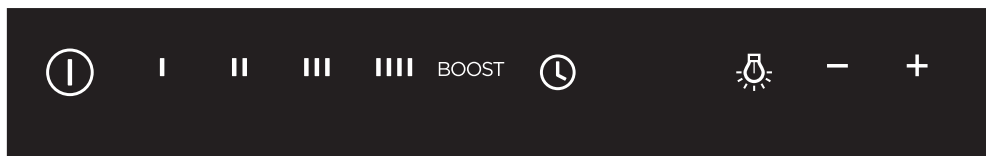
ABOUT YOUR COOKER HOOD - ENERGY EFFICIENCY

Product Fiche
EN61591




MODEL	HC60BCXB2 HC90BCXB2 HC120BCXB2
Annual Energy Consumption (kWh/annum)	26
Time Increase Factor	0.8
Energy Efficiency Index	44.8
Energy Efficiency Class	A+
Fluid Dynamic Efficiency	33.1
Fluid Dynamic Efficiency Class	A
Lighting Efficiency	36
Lighting Efficiency Class	A
Grease Filtering Efficiency	91.2
Grease Filtering Efficiency Class	B
Airflow at Min. Speed (m ³ /hr)	200
Airflow at Max. Speed (m ³ /hr)	525
Airflow at Boost Speed (m ³ /hr)	710
Airborne noise at minimum (dB)	40
Airborne noise at maximum (dB)	64
Airborne noise at Boost (dB)	67
Airflow At Best Efficiency Point (m ³ /hr)	344.8
Electrical Power Input At Best Efficiency Point (W)	70.8
Lighting Nominal Power (W)	7
Lighting Average Illumination (lux)	252
Power consumption in Off mode (W)	0.41
Power consumption in Standby mode (W)	0.41

OPERATING INSTRUCTIONS

Touch control panel



CONTROL PANEL FEATURES

	Power on/off	Turn the cooker hood on or off. The fan automatically turns on to operate at level 1.
I II III IIII	Fan speed 1 - 4	Adjust the fan speed levels from 1 - 4 with 1 being the lowest level and 4 being the highest. The fan speed level icon illuminates red when selected.
BOOST	Boost	Turn the fan onto boost speed. The icon flashes red when it is on. The cooker hood will operate on boost speed for 5 minutes and will then revert to speed 4.
	Timer	Turn the timer on. The fan operates for 5 minutes at the current speed and each descending speed before turning off. The timer icon flashes red when the filters need cleaning. To reset the timer press the button and it will stop flashing and begin counting again.
	Lights on/off	Turn the lights on or off. The lights turn on to the last level selected.
-	Reduce lighting level	Press once to adjust the light to the lowest level. The icon illuminates red when on the lowest level. Press and hold to progressively dim the light level.
+	Increase lighting level	Press once to adjust the light to the highest level. The icon illuminates red when on the highest level. Press and hold to progressively increase the light level.

CLEANING AND MAINTENANCE

IMPORTANT!

Never use abrasive or oil based cleaners

Maintenance

Before performing any cleaning or maintenance on your cooker hood, ensure that the power supply is switched off to the hood.

The cooker hood should be cleaned regularly using a mild, liquid detergent to avoid a build up of grease occurring. Grease deposits are corrosive which can cause damage to your cooker hood.

Note: in areas of high humidity or coastal environments, cleaning should be carried out more frequently.

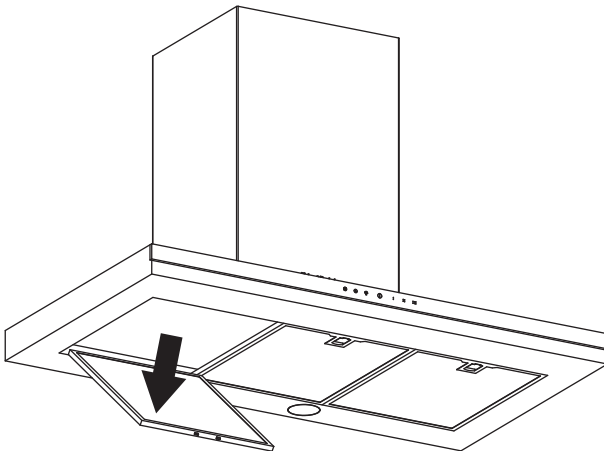
Aluminium filters

- Depending on use, and at least once a month, the aluminium grease filters should be removed and cleaned with hot soapy water or in a dishwasher.
- If washed in a dishwasher, the filters should be placed in an upright position to prevent food from falling on them.
- After rinsing and drying, replace the filters.

Note: some discolouration of the frames may occur.

Removing the aluminium filters:

- ① Pull the relative catch, tilting it downwards until it disengages from the supports.
- ② Reverse these instructions when refitting the filters.



CLEANING AND MAINTENANCE

Carbon filters - for use in recirculation mode

Active carbon filters are disposable items designed to remove grease and odours from cooking vapours before the air is channelled back into the kitchen. The active carbon filters must be replaced periodically to work properly, at least once every three months, depending on the frequency with which the cooker hood is used.

Note: fully saturated carbon filters can become a barrier to air movement therefore limiting cooker hood performance. In the event of fire, grease laden filters could be flammable and therefore regular replacement is recommended.

Replacing the light bulb

Please note replacement bulbs are not covered by warranty.

- ① Before changing the light bulb, ensure the cooker hood is disconnected from the power supply.
- ② Remove the aluminium grease filters.
- ③ Unscrew and remove the easy clean interior panel.
- ④ Replace light bulbs.
- ⑤ Refit the easy clean interior panel and the aluminium filters.

PARTS AND ACCESSORIES

ITEM	REFERENCE NUMBER
LED bulb x2	792556
Aluminium filter	791938
Recirculation carbon filter	50031
Recirculation diverter	50032
Ducting kit 150 mm (eaves)	50033
Ducting kit 150 mm (wall)	50034

MANUFACTURER'S WARRANTY

You automatically receive a 2 year Manufacturer's Warranty with the purchase of this cooker hood covering parts and labour for servicing within the United Kingdom and Ireland.

Fisher & Paykel undertakes to:

Repair or, at its option, replace without cost to the owner either for material or labour any part of the product, the serial number of which appears on the product, which is found to be defective within TWO YEARS of the date of purchase.

Note: this Manufacturer's Warranty is an extra benefit and does not affect your legal rights.

This Manufacturer's Warranty DOES NOT cover

- (A) Service calls which are not related to any defect in the product. The cost of a service call will be charged if the problem is not found to be a product fault. For example:
 - ① Correcting the installation of the product.
 - ② Instructing you how to use the product.
 - ③ Replacing house fuses or correcting house wiring or plumbing.
 - ④ Correcting fault(s) caused by the user.
 - ⑤ Noise or vibration that is considered normal, eg drain/fan sounds, refrigeration noises or user warning beeps.
 - ⑥ Correcting damage caused by pests, eg rats, cockroaches, etc.
 - ⑦ Replacement light bulbs.
- (B) Defects caused by factors other than:
 - ① Normal domestic use; or
 - ② Use in accordance with the product's user guide.
- (C) Defects to the product caused by accident, neglect, misuse or 'act of God'.
- (D) The cost of repairs carried out by non-authorized repairers or the cost of correcting such unauthorised repairs.
- (E) Normal recommended maintenance as set out in the product's user guide.
- (F) Repairs when the appliance has been dismantled, repaired or serviced by other than a Fisher & Paykel Authorised Repairer or the selling dealer.
- (G) Pick-up and delivery.
- (H) Transportation or travelling costs involved in the repair when the product is installed outside the Fisher & Paykel Authorised Repairer's normal service area.

This product has been designed for use in a normal domestic (residential) environment. This product is not designed for commercial use (whatsoever). Any commercial use by a customer will affect this product's Manufacturer's Warranty.

Service under this Manufacturer's Warranty must be provided by a Fisher & Paykel Authorised Repairer (refer to the 'Customer Care' section at the back of this book). Such service shall be provided during normal business hours. This Manufacturer's Warranty certificate should be shown when making any claim.

Please keep this user guide in a safe place.

CUSTOMER CARE

Before you call for service or assistance...

Check the things you can do yourself. Refer to your user guide and check that:

- ① Your product is correctly installed.
- ② You are familiar with its normal operation.

If after checking these points you still need assistance or parts, please refer to your nearest Authorised Service Centre, Customer Care, or contact us through our local website listed on the back cover.

In United Kingdom if you need assistance...*

Call the Fisher & Paykel Customer Care Centre and talk to one of our Customer Care Consultants.

Phone: 08000 886 605

Fax: 08000 886 606

Website: www.fisherpaykel.com

Postal address: Fisher & Paykel Appliances Ltd, Maidstone Road, Kingston, Milton Keynes, Buckinghamshire, MK10 OBD

In Ireland if you need assistance...*

Phone: 1800 625 174 or 01-8077960

Fax: 1800 635 012

Website: www.fisherpaykel.com

Postal address: Fisher & Paykel Appliances, Unit D2, North Dublin Corporate Park, Swords, Co. Dublin

*If you call, write or contact our website please provide: your name and address, model number, serial number, date of purchase and a complete description of the problem. This information is needed in order to better respond to your request for assistance.

Product details can be found on the easy clean plate underneath the filters.

Registration

Register your product with us so we can provide you with the best service possible. To register your product visit our website: **www.fisherpaykel.com**

CUSTOMER CARE

Complete and keep for safe reference:

Model _____

Serial No. _____

Purchase Date _____

Purchaser _____

Dealer _____

Suburb _____

Town _____

Country _____

www.fisherpaykel.com

Copyright © Fisher & Paykel 2015. All rights reserved.

The product specifications in this booklet apply to the specific products and models described at the date of issue. Under our policy of continuous product improvement, these specifications may change at any time. You should therefore check with your dealer to ensure this booklet correctly describes the product currently available.

GB IE

104039 A 04.15