

**FISHER & PAYKEL**

**FREESTANDING COOKER**

---

**OR90SCG2, OR90SCG4  
& OR90SDG4 models**

**USER GUIDE**

**NZ AU GB IE**



## **WARNING!**

**If the information in this manual is not followed exactly, a fire or explosion may result causing property damage, personal injury or death.**

**Do not store or use gasoline or other flammable vapours and liquids in the vicinity of this or any other appliance.**

**NEVER use this appliance as a space heater to heat or warm the room. Doing so may result in carbon monoxide poisoning and overheating of the appliance.**

### **WHAT TO DO IF YOU SMELL GAS**

- **Do not try to light any appliance.**
- **Do not touch any electrical switch.**
- **Do not use any phone in your building.**
- **Immediately call your gas supplier from a neighbour's phone. Follow the gas supplier's instructions.**
- **If you cannot reach your gas supplier, call the fire department.**

**Installation and service must be performed by a qualified installer, service agency or the gas supplier.**

## CONTENTS

---

Safety and warnings	2
Introduction	10
First use	12
Cooking guide	19
Oven functions	21
Cooking charts	25
Setting the timer	31
Auto Cook	33
Locking the oven controls	36
User preference settings	37
Sabbath Mode	39
Using your gas cooktop	41
Cooking guidelines and cookware	44
Using the storage space	46
Care and cleaning	47
Troubleshooting	67
Alert codes	71
Warranty and service	72
Energy guidelines (GB IE only)	74

---

### **IMPORTANT!** **SAVE THESE INSTRUCTIONS**

The models shown in this user guide may not be available in all markets and are subject to change at any time. For current details about model and specification availability in your country, please visit our website listed on the back cover or contact your Fisher & Paykel dealer.

## SAFETY AND WARNINGS

---

Your freestanding cooker has been carefully designed to operate safely during normal cooking procedures. Please keep the following guidelines in mind when you are using it:

### **WARNING!**



#### **Explosion Hazard**

**Failure to follow this advice may result in death or serious injury.**

**Do not store flammable materials such as gasoline near the cooktop.**

**Do not store flammable material in the oven or storage compartment.**

**Do not spray aerosols near the cooktop during use.**

### **WARNING!**



#### **Electrical Shock Hazard**

**Switch the cooker off at the wall before replacing fuses or the oven lamp.**

**Failure to follow this advice may result in electrical shock or death.**

**⚠ WARNING!**



**Poisoning Hazard**

**Never use this appliance as a space heater to heat or warm the room. Doing so may result in carbon monoxide poisoning and overheating of the appliance.**

**Failure to follow this advice may result in poisoning or death.**

**⚠ WARNING!**



**Cut Hazard**

**Take care - some edges are sharp. Failure to use caution could result in injury or cuts.**

**⚠ WARNING!**



**Fire Hazard**

**Never leave the cooktop unattended when in use. Boilover causes smoking and greasy spillovers that may ignite. Do not place aluminium foil, dishes, trays, water or ice on the oven floor during cooking, as doing so will irreversibly damage the enamel; lining the oven with aluminium foil may even cause fire.**

**Never use your appliance for warming or heating the room. Persons could be burned or injured or a fire could start. Storage in or on appliance: flammable materials should not be stored in an oven or near its surface.**

**Failure to follow this advice may result in overheating, burning, and injury.**

**⚠ WARNING!**



**Hot Surface Hazard**

**Accessible parts may become hot when this cooker is in use.**

**To avoid burns and scalds keep children away.**

**Do not touch hot surfaces inside the oven.**

**Use oven mitts or other protection when handling hot surfaces such as oven shelves or dishes.**

**Take care when opening the oven door.**

**Let hot air or steam escape before removing or replacing food.**

**Do not touch the cooktop components, burners, trivets/pan supports or the base when hot.**

**Before cleaning, turn the cooker off and make sure it is cool.**

**Failure to follow this advice could result in burns and scalds.**

## **IMPORTANT SAFETY INSTRUCTIONS!**

- **Read all the instructions before using the appliance. Use the appliance only for its intended purpose as described in these instructions.**
- **Proper installation: be sure your appliance is properly installed and earthed by a qualified technician. A risk of tip-over exists when the appliance is not installed in accordance with the installation instructions.**
- **Do not operate the appliance if it is damaged or not working properly. If you received a damaged product, contact your dealer or installer immediately.**
- **Clean only the parts listed in this manual.**
- **Do not modify this appliance.**
- **This appliance is to be serviced only by an authorised person.**
- **Isolating switch: make sure this cooker is connected to a circuit which incorporates an isolating switch providing full disconnection from the power supply.**
- **Household appliances are not intended to be played with by children.**
- **Do not leave children alone – children should not be left alone or unattended in the area where the appliance is in use. They should never be allowed to play with the appliance or to sit or stand on any part of the appliance.**
- **Children of less than 8 years old must be kept away from the appliance unless continuously supervised. This appliance can be used by children aged from 8 years and above, and persons with reduced physical, sensory or mental capabilities or lack of experience and knowledge, if they have been given supervision or instruction concerning the use of the appliance in a safe way and they understand the hazards involved. Cleaning and user maintenance shall not be done by children without supervision.**



## **IMPORTANT SAFETY INSTRUCTIONS!**

- **Do not store things children might want above the oven. Children could be burned or injured while climbing on the oven to retrieve items.**
- **Safe food handling: leave food in the oven for as short a time as possible before and after cooking. This is to avoid contamination by organisms which may cause food poisoning. Take particular care during warmer weather.**
- **Do not place aluminium foil, dishes, trays, water or ice on the oven floor during cooking as this will irreversibly damage the enamel.**
- **Do not use aluminum foil to line any part of the oven, storage drawer or cooktop. This will cause heat to be trapped underneath it. This trapped heat can upset the cooking performance and damage the finish of the oven or cooktop parts.**
- **Do not stand on the door, or place heavy objects on it.**
- **Do not use harsh abrasive cleaners or sharp metal scrapers to clean the oven door glass since they scratch the surface, which may result in shattering of the glass.**
- **Do not use a steam cleaner to clean any part of the cooker.**
- **Do not use an asbestos mat or decorative covers between the flame and the saucepan as this may cause serious damage to your cooktop.**
- **Do not store flammable items in the oven or storage drawer or on the cooktop surface.**
- **Do not place aluminium foil or plastic dishes on the**

## **IMPORTANT SAFETY INSTRUCTIONS!**

cooktop burners.

- **Do not let large saucepans or frying pans overlap the bench as this can deflect heat onto your benchtop and damage the surface.**
- **Do not let large saucepans, frying pans or woks push any other pans aside. This could make them unstable or deflect heat onto your benchtop and damage the surface.**
- **Saucepan handles may be hot to touch. Ensure saucepan handles do not overhang other gas burners that are on. Keep handles out of reach of children.**
- **If the electrical supply cord is damaged, it must only be replaced by an authorised person.**
- **This cooker is not to be used as a space heater, especially if it is installed in marine craft or in a caravan.**
- **The use of a gas cooking appliance results in the production of heat and moisture in the room in which it is installed. Ensure the kitchen is well ventilated. Keep natural ventilation holes open or install a mechanical ventilation device (mechanical extractor hood). Prolonged intensive use of the appliance may call for additional ventilation, for example opening of a window, or more effective ventilation, for example increasing the level of mechanical ventilation where present.**
- **Wear proper apparel. Do not wear loose fitting or**

## **IMPORTANT SAFETY INSTRUCTIONS!**

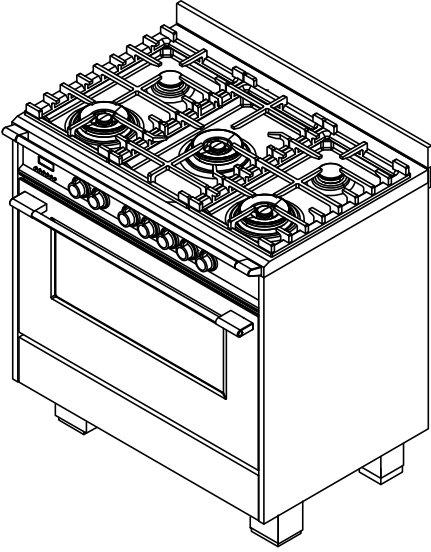
hanging garments when using the appliance. They could ignite or melt if they touch an element or hot surface and you could be burned.

- **Always keep oven vents unobstructed.**
- **Use only dry oven mitts or potholders. Moist or damp potholders on hot surfaces could result in burns from steam. Do not let potholders touch hot areas or heating elements. Do not use a towel or a bulky cloth for a potholder. It could catch fire.**
- **Caution. Hot air can blow from the vent at the top of the oven as part of the oven's cooling system.**
- **Placement of oven shelves: always position shelves in the desired location before preheating the oven. If a shelf must be removed while the oven is hot, do not let the oven mitts or potholder contact hot heating elements in the oven or the base of the oven.**
- **In the event of power failure while cooking, return the knobs in off position to prevent overheating of the appliance.**

# INTRODUCTION

---

## 90cm models



OR90SCG2  
OR90SCG4  
OR90SDG4

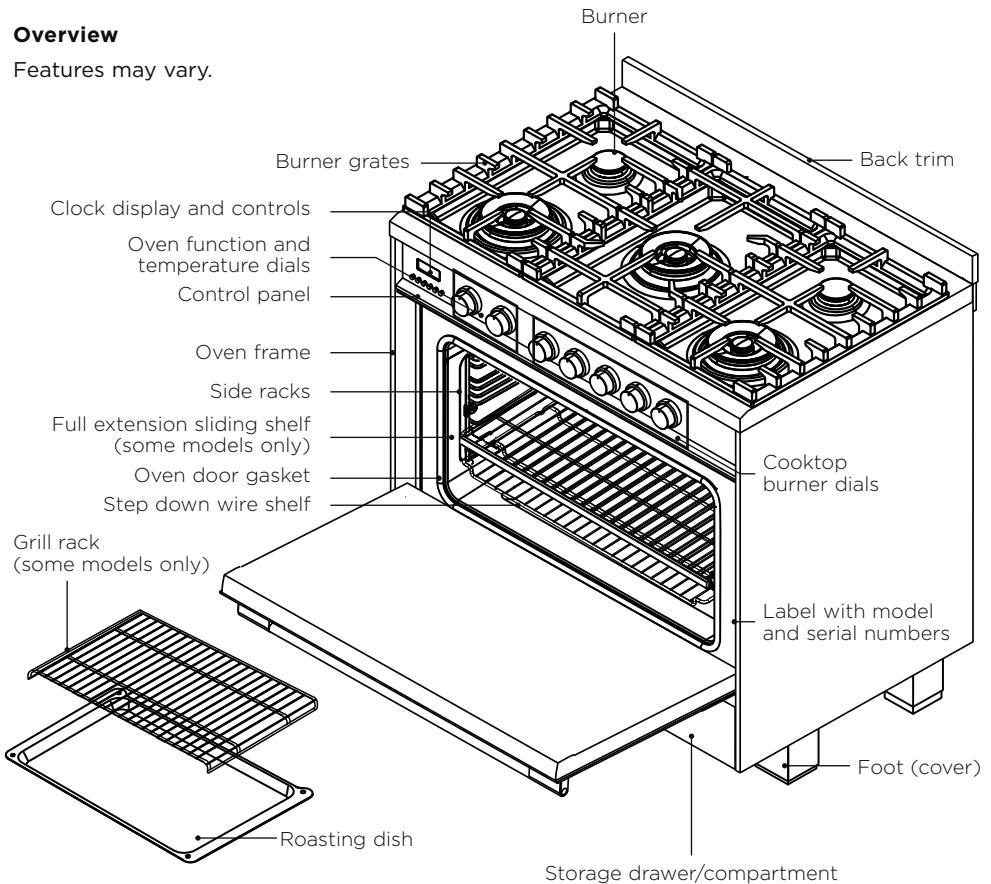
# INTRODUCTION

## Before you start

- ① Make sure that the anti-tip bracket at the right rear of the cooker has been properly installed.
- ② Make sure that the installer has completed the 'Final checklist' in the Installation instructions.
- ③ Read this guide, taking special note of the 'Safety and warnings' section.
- ④ Remove all accessories and packaging from the oven and cooktop. Recycle items that you can. If any adhesive residue is left on surfaces, remove this using dishwashing liquid on a soft cloth. Do not use any harsh or abrasive cleaners.
- ⑤ Make sure you follow the instructions under 'First use' before using your cooker for cooking.

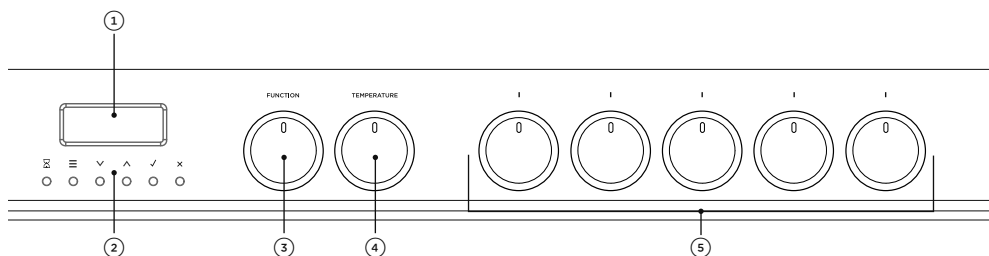
## Overview

Features may vary.



# FIRST USE

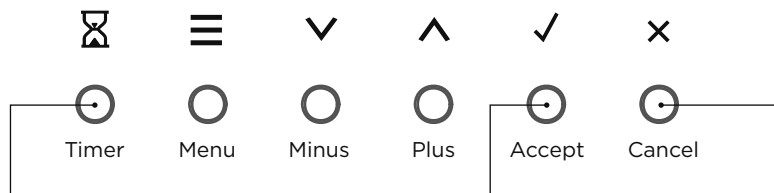
## Control panel layout



- ① Oven display
- ② Oven controls
- ③ Function dial
- ④ Temperature dial
- ⑤ Cooktop control dials

## Clock display and controls

-  Timer (see 'Setting the timer')
-  End time (see 'Auto Cook')
-  Cook time (see 'Auto Cook')
-  Lock (see 'Locking the oven controls')



### Timer button

- Press to set the timer

### Accept button

- Press to accept

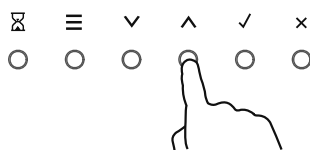
### Cancel/back button

- Press to go back
- Press and hold to cancel

## FIRST USE

### Setting the clock

When your oven is first turned on, or after a power cut, the display will flash. You will need to set the clock in order to use the oven.

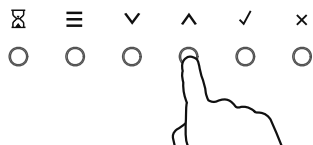


① The display will flash 24 hr.

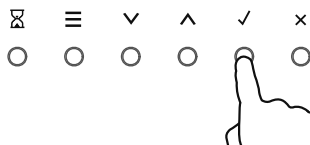
② Press ∨ or ∧ to scroll between 24 hr and 12 hr.

- The display will stop flashing.

③ Press ✓ to confirm.



④ Press ∨ or ∧ to adjust the time.



⑤ Press ∨ and ∧ to set the time.

- Pressing the cancel X button at any point during the clock setting process will set the clock at 00:01.

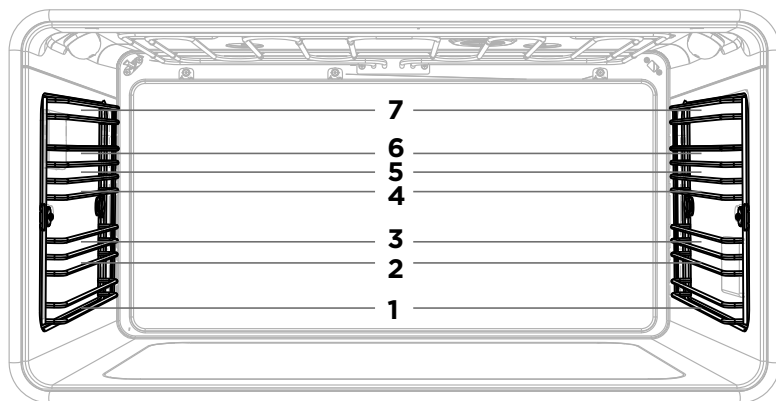
## FIRST USE

### Positioning the shelves

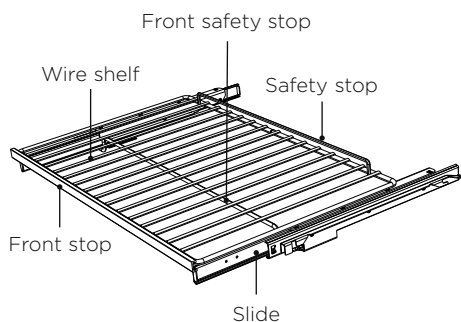
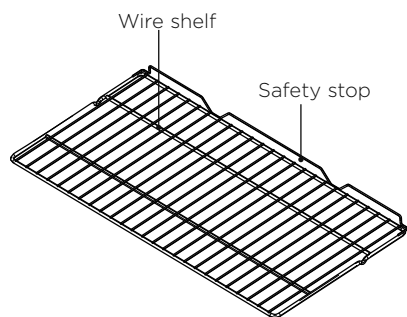
- Shelf positions are numbered from the bottom.
- Position the shelves you will need before turning the oven on.
- For advice on which shelf position to use, see sections 'Oven functions', 'Oven cooking guidelines', and 'Cooking charts'.

### IMPORTANT!

Always position the oven shelves before turning the oven on. Remove any unused shelves and baking utensils from the oven.



### Oven shelves



### Flat wire shelf and step-down wire shelf

- These shelves have safety stops to keep them from sliding out of the oven when pulled forward.
- The front stops prevent the shelves from hitting against the back of the oven.

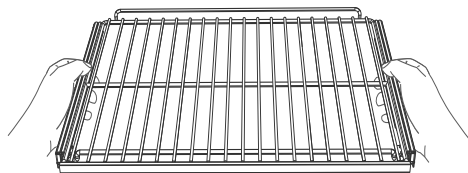
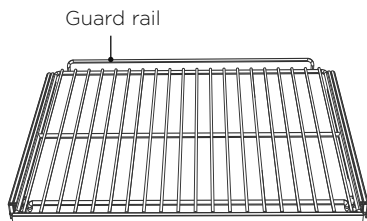
### Full extension sliding shelves (some models only)

- The wire shelves and slides are built together as one unit.
- When positioned correctly, the slides will prevent the wire shelves from tilting when pulled forward.
- Beware: these shelves are heavy.

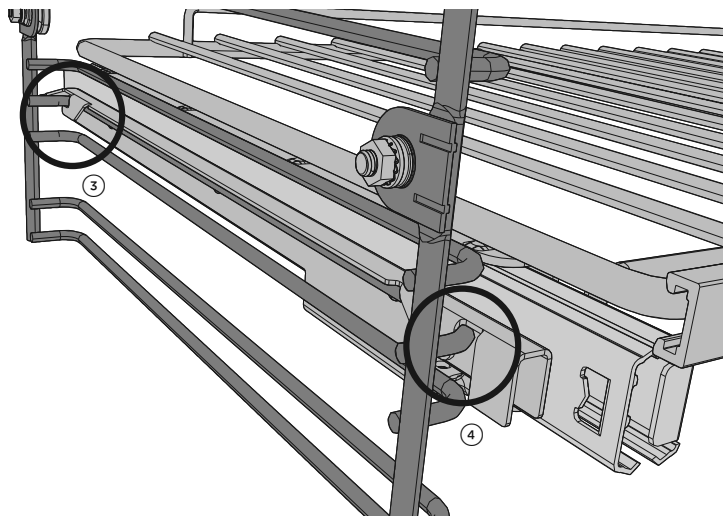


## FIRST USE

### To insert the sliding shelves (some models only)



- ① Make sure the guard rail is at the back, facing up and the slides are not extended.
- ② Hold the shelf firmly with both hands, making sure you grip the wire shelf too to stop it sliding forward.



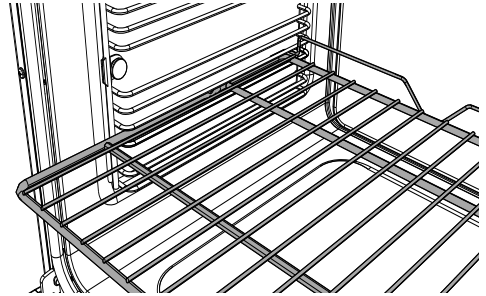
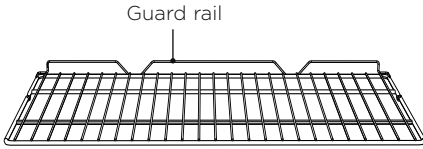
- ③ Hook the rear tags over the wires of the desired shelf position on both side racks.
- ④ Push the shelf all the way into the oven, ensuring the front and rear tags either side are securely locked behind the side rack wires.

### To remove the shelves

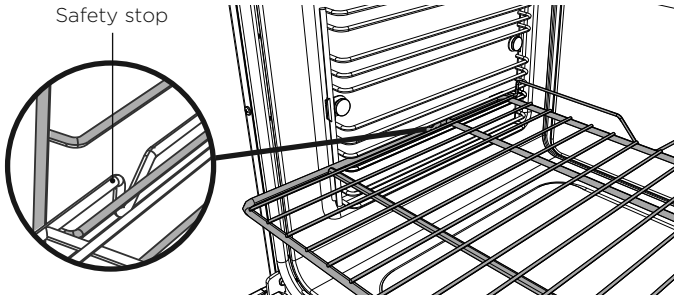
- ① **Wait for the oven to cool down completely.**
- ② Hold the shelf firmly with both hands, making sure you grip the wire shelf too to stop it sliding forward.
- ③ Pull the shelf forward about  $\frac{3}{4}$  of the way.
- ④ Lift the rear of the shelf slightly so that the tags clear the side rack wires, then remove.

## FIRST USE

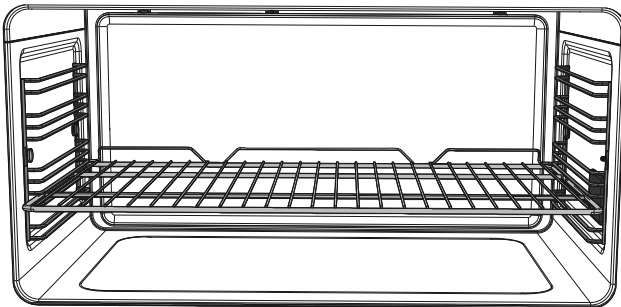
### To insert the wire shelves



- ① Make sure the guard rail is at the back, facing up.
- ② Position the shelf: it should rest on the side rack wires, as shown.



- ③ Tilt the front up slightly to help the safety stops clear the side rack wires.



- ④ Lower the shelf back onto the side rack wires and slide all the way into the oven.

### To remove the shelves

- ① Wait for the oven to cool down completely.
- ② Pull the shelf forward about  $\frac{3}{4}$  of the way.
- ③ Tilt the front up slightly to help the safety stops clear the side rack wires.
- ④ Remove the shelf.

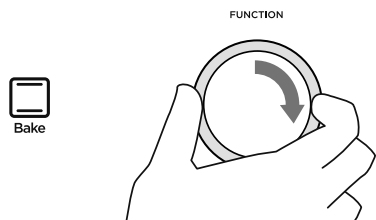
# FIRST USE

## Conditioning the oven

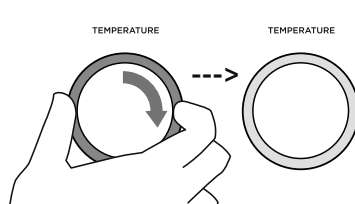
It is important to condition your oven before using it for cooking and baking. Conditioning will burn off any manufacturing residues and ensure that you get the best results right from the start.

### Before you start:

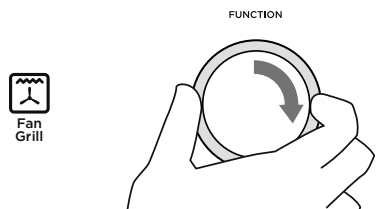
- ① Make sure you have removed all packaging and any cable ties used to secure the shelving during transit.
- ② Make sure all shelves are fitted in the oven.
- ③ Make sure all oven control dials are turned to **O** (OFF).



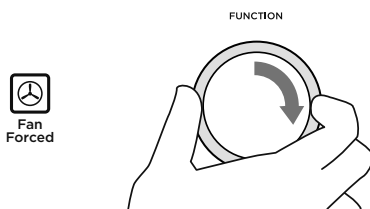
- ① Select the Bake function.
  - The halo will glow white.



- ② Set the temperature to 200°C for 30 minutes.
  - The halo will glow red while the oven is heating up.
  - When the oven has heated a tone will sound and the halo will turn white.



- ③ After 30 minutes, select the Fan Grill function.
  - Heat at 200°C for 10 minutes.

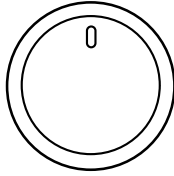


- ④ After 10 minutes, select the Fan Forced function.
  - Heat at 200°C for 20 minutes.

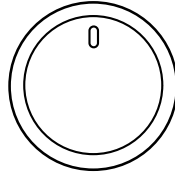
## FIRST USE

---

FUNCTION



TEMPERATURE



- ⑤ After 20 minutes turn both the function and temperature dials to **O** (OFF). The halos will go out.
- There will be a distinctive smell and a small amount of smoke during the conditioning process as manufacturing residue is burnt off. This is normal, but make sure the kitchen is well ventilated during the conditioning.
  - Once cooled, wipe out the oven and warmer drawer with a damp cloth and mild detergent, and dry thoroughly.

### **Rapid preheating stage**

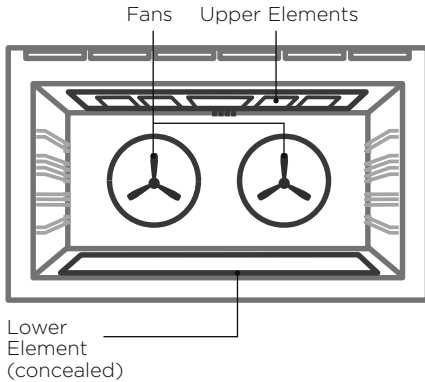
For some cooking functions, the oven will go through an initial rapid preheat stage. In this stage, the fan and both bake and grill elements will turn on to quickly heat the oven to the set temperature. Depending on the cooking function, the fan, bake and grill elements will turn off once the oven reaches the set temperature.

# COOKING GUIDE

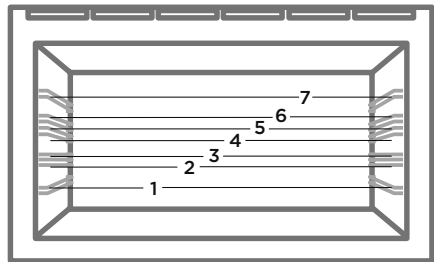
## Oven cooking guidelines

### IMPORTANT!

- Use all the oven modes with the oven door closed.
- Never use aluminum foil to cover the oven shelves or to line the floor of the oven. The trapped heat can irreversibly damage the enamel and may even cause fire.
- Do not place water, ice, or any dish or tray directly on the oven floor, as this will irreversibly damage the enamel.
- Do not cover the roasting dish with aluminum foil. This will catch the grease and could cause fire.
- Do not use plastic wrap or wax paper in the oven.
- For food safety reasons, do not leave food in the oven for longer than two hours before and after cooking or defrosting. This is to avoid contamination by organisms which may cause food poisoning. Take particular care during warmer weather.
- In the event of power failure while cooking, return the oven dials in off position to prevent overheating of the appliance.



Shelf positions



## Baking

- For best results when baking, always preheat your oven. The temperature halo will change from red to white when the set temperature is reached.
- While the oven is heating the grill element will be on.
- We advise you do not open the door until at least  $\frac{3}{4}$  of the way through cooking.
- Make sure cake pans do not touch each other or the sides of the oven.
- When baking double the recipe (especially cookies) cook time may need to increase.
- Your cookware will influence baking times. Dark pans absorb the heat more quickly than reflective pans; glass cookware may require a lower temperature
- Multi-shelf baking may also require a slight increase in cooking time.

## Shelf Position Guide

- Single shelf: place your baking on a shelf that will have the top of your pan near the center of the oven cavity.
- Multi shelf: always leave a space between shelves to allow the air to circulate.

# COOKING GUIDE

---

## Oven cooking guidelines

### Roasting

- The Roast function is designed to brown the outside of the meat but still keep the inside moist and juicy.
- Boneless, rolled or stuffed roasts take longer than roasts containing bones.
- Poultry should be well cooked with the juices running clear and an internal temperature of 74°C.
- If using a roasting bag, do not use the Roast function. The initial searing stage is too hot for roasting bags. Use Fan Bake or Fan Forced and follow the manufacturer's instructions.
- When using the Roast function, do not cover your roast, as this will stop the searing process browning the outside of the meat. If you prefer to roast in a covered pan, use the Fan Bake function instead and increase the temperature by 20°C.
- Cook larger cuts of meat at a lower temperature for a longer time. The meat will cook more evenly.
- Always roast meat fat side up. That way, basting may not be required.
- Always rest the meat for at least 10 minutes after roasting to allow the juices to settle.
- Remember the meat will continue to cook for a few minutes after removing it from the oven.

### Shelf Position Guide

Place the meat on a shelf so that it is in the center of the oven or lower.

### Grilling

- This is a healthier alternative to frying.
- Always grill with the oven door completely shut.
- For best results allow 5 minutes of preheat before placing food in the oven.
- If you use glass or ceramic pans, be sure they can withstand the high temperatures of the grill.
- To avoid piercing the meat and letting juices escape, use tongs or a spatula to turn the meat halfway through cooking.
- Brush meat with a little oil to help keep the meat moist during cooking. Alternatively marinate the meat before grilling (but be aware that some marinades may burn easily).
- Where possible grill cuts of meat of a similar thickness at the same time. This will ensure even cooking.
- Always keep a close watch on your food while grilling to avoid charring or burning.

### Shelf Position Guide

- For thinner cuts of meat, toasting or browning foods, use a higher shelf position.
- Thicker cuts of meats should be grilled on lower shelves or at a lower grill setting to ensure even cooking.

### Reheating

- Use Bake or Fan Bake to reheat food.
- Bake and Fan Bake are particularly good for reheating pastry based items, as the base heat will help re-crisp the pastry case.
- Always reheat food to piping hot. This reduces the risk of contamination by harmful bacteria.
- Once hot, set the oven temperature to WARM in or use the warming drawer to keep food hot.
- **Never reheat food more than once.**

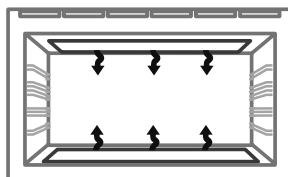
## OVEN FUNCTIONS

### IMPORTANT!

- Use all the functions with the oven door closed.



**Bake**



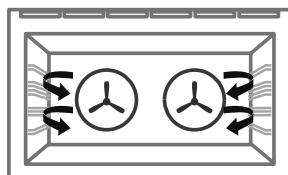
### Upper outer and lower elements

- Heat comes from both the upper and lower elements. The fan is not used in this function.
- Ideal for cakes and foods that require baking for a long time or at low temperatures.
- This function is not suitable for multi-shelf cooking.

Ideal for moist foods that take a longer time to cook eg rich fruit cake, or bread.



**Fan Forced**



### Fan and rear element

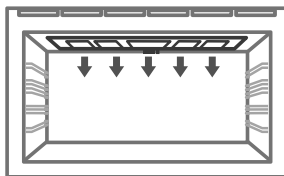
- By using the central rear heating element and fan, hot air is blown into the cavity, providing a consistent temperature at all levels, making it perfect for multi-shelf cooking.
- Trays of cookies cooked on different shelves are crisp on the outside and chewy in the middle.
- Meat and poultry are deliciously browned and sizzling while remaining juicy and tender.
- Casseroles are cooked to perfection and reheating is quick and efficient.
- When multi-shelf cooking it is important to leave a gap between trays (eg use shelves 3 & 5) to allow the air to move freely. This enables the browning of foods on the lower tray.
- If converting a recipe from Bake to Fan Forced, we recommend that you decrease the bake time or decrease the temperature by approximately 20°C.
- For items with longer bake times (eg over an hour) it may be necessary to decrease both time and temperature.

Ideal for multi-shelf cooking biscuits, cookies, scones, muffins and cupcakes.

## OVEN FUNCTIONS



Grill



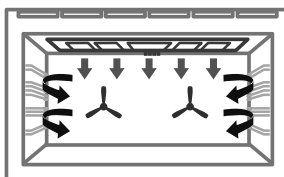
### Upper inner and outer elements

- Intense radiant heat is delivered from both top elements. You can use Grill on Low OR High (100% power).
- For best results allow 5 minutes of preheat before placing food in the oven.
- The temperature halo will remain white while using the grill function.
- The most suitable function for 'finishing off' many meals, for example browning the top of potato gratin and frittata.

Ideal for toasting bread or for top browning to 'finish off dishes'.



Fan Grill



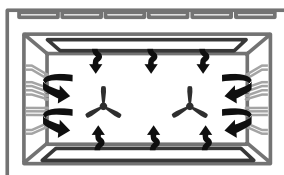
### Fan plus upper inner and outer elements

- This function uses the intense heat from the elements for top browning and the fan to ensure even cooking of foods.
- Meat, poultry and vegetables cook beautifully; food is crisp and brown on the outside while the inside remains moist and tender.

Ideal for whole chicken, tenderloin of beef or grilling your favourite chicken, fish or steak.



Fan Bake



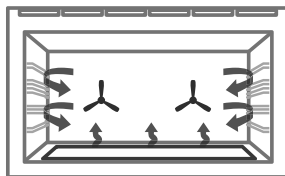
### Fan plus upper outer and lower elements

- The oven fan circulates hot air from the top outer and the lower elements and distributes it around the oven cavity.
- Food cooked tends to brown more quickly than foods cooked on the traditional Bake function.
- You may need to decrease the time from that recommended in traditional recipes.


Ideal for single shelf baking that takes less than an hour to cook - foods such as muffins, biscuits and cupcakes or things like enchiladas.



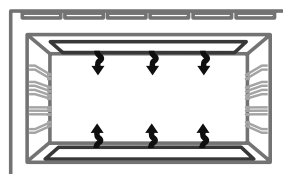
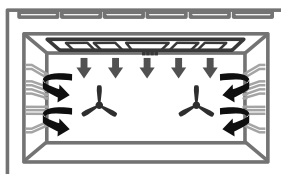
## OVEN FUNCTIONS



### Fan plus lower element

- The fan circulates heat from the lower element throughout the oven.
- Excellent for cooking pizza and flatbreads as it crisps the base beautifully without overcooking the top.
- Set the temperature to  for optimum pizza cooking temperature.

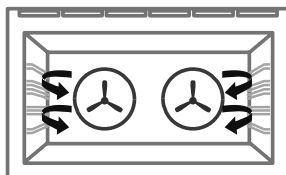
Ideal for foods such as sweet and savoury pastry foods and delicate foods that require some top browning eg frittata, quiche.



### Fan plus upper and lower elements

- A two-step program. An initial 20 minute searing stage crisps and browns the roast and caramelises the outside of the meat, then the temperature drops to the level you have preset for the remainder of the cooking period, producing a tender and juicy roast that is full of flavor.
- Oven does not require preheating.
- If desired, use the roasting dish, or place vegetables under the roast to allow the juices to drain away from your meat. This will allow the hot air to circulate under the meat as well.

Ideal for roasting meat, chicken and vegetables.



### Fan plus rear element

- The fan circulates heat from the rear element to gently cook food.
- This function has low energy consumption – oven lights will remain off and vents will remain closed for the duration of cooking to conserve energy (you may observe some moisture generation during this time).
- Oven does not require preheating.

Ideal for slow-cooked dishes such as casseroles, stews and braises.

## OVEN FUNCTIONS

---



### **Rapid Proof**

(some models only)

#### **This is not a cooking function**

- Gentle heat is generated from the upper and lower elements.
- Provides the optimum warm and draft-free environment for proving yeast dough.
- This method provides a faster proof time than at room temperature.
- To prevent overproofing we recommend you check the dough every 30mins.

#### **Proving dough**

- ① Place dough in a lightly oiled bowl and cover with plastic wrap and/or a clean damp cloth.
- ② Position the bowl in the center of the oven.
- ③ Select Rapid Proof function.

## COOKING CHARTS

- Shelf positions are counted from the base up (1 is the lowest, 7 is the highest). Position shelves before you turn the oven on.
- For best results always preheat the oven to the required temperature.
- The grill element may come on while the oven is heating up.
- The temperature indicator light will go out when the oven has reached the selected temperature.
- Oven accessories may temporarily deform slightly when they become hot. This is normal and does not affect their function.

The information in these charts is for guidance only. Refer to your recipe or the packaging and be prepared to adjust the cooking times and settings accordingly.

BAKING	SHELVES	FUNCTION	SHELF POSITION	TEMP (°C)	TIME (MIN)
<b>BISCUITS</b>					
Plain	Single	Fan Bake	3	210-220	8-10
	Multi	Fan Forced	1 and 4 or 2 and 5	215-230	10-12
Chewy cocolate chip	Single	Fan Bake	3	180-190	10-15
	Multi	Fan Forced	1 and 4 or 2 and 5	160-170	10-15
Oatmeal	Single	Fan Bake	3	160-170	12-15
<b>CAKES</b>					
Vanilla	Single	Bake	3	160-165	30-35
Pound cake	Single	Bake	3	160	70-80
Butter/chocolate	Single	Bake	3	160-180	50-60
Chocolate brownie (20x20cm)	Single	Bake	3	175	20-25
Rich fruit	Single	Bake	3	135-150	3-6 hrs
Light fruit	Single	Bake	3	155-165	60-90
Sponge (single large)	Single	Bake	3	170-180	30-40
Sponge (20x20cm)	Single	Bake	3	170-180	15-25
<b>SHORTBREAD</b>	Single	Pastry Bake	3	130-140	20-25

## COOKING CHARTS

BAKING	SHELVES	FUNCTION	SHELF POSITION	TEMP (°C)	TIME (MIN)
<b>MUFFINS/CUPCAKES</b>					
Cupcakes	Single	Fan Bake	3	185	15-20
	Multi	Fan Forced	1 and 4 or 2 and 5	170	20-25
Muffins	Single	Fan Bake	3	170	25-30
	Multi	Fan Forced	1 and 4 or 2 and 5	170	25-30
<b>SCONES</b>					
	Single	Bake	3	215-230	10-15
<b>MERINGUES</b>					
	Single	Bake	3	120-130	60-70
<b>BREAD / BREAD ROLLS</b>					
Sandwich loaf (23x13cm loaf tin)	Single	Bake	3	200-220	40-50
Wholewheat loaf (23x13cm loaf tin)	Single	Bake	3	200-220	35-45
Soft Bread Rolls	Single	Bake	3	190	15-18
Dough Proof	Single	Rapid Proof	3	PrF	30
<b>PASTRY</b>					
Pastry case (baked blind)	Single	Pastry Bake	2 or 3	175	15
Filo	Single	Fan Bake	3	200	15-25
Flaky/puff	Single	Fan Bake	3	185-200	20-30
Choux	Single	Fan Bake	3	200-210	30-35
	Multi	Fan Forced	1 and 4 or 2 and 5	200-210	30-35
Croissants	Single	Fan Bake	3	190-200	15-25
	Multi	Fan Forced	1 and 4 or 2 and 5	190-200	15-25

## COOKING CHARTS

BAKING	SHELVES	FUNCTION	SHELF POSITION	TEMP (°C)	TIME (MIN)
<b>PIES</b>					
Apple pie	Single	Pastry Bake or Fan Bake	3	190-200	25-30
Lemon meringue	Single	Pastry Bake or Fan Bake	3	175-180	30-40
Baked cheesecake (in water bath)	Single	Classic Bake	3	160	50-60
Custard tart (blind bake, then add filling)	Single	Classic Bake	3	175-150	15-30
<b>DESSERTS</b>					
Crème brulee (in water bath)	Single	Classic Bake	3	135	35-45
Crème caramel (in water bath)	Single	Classic Bake	3	175	35-45
<b>SAVOURY</b>					
SAVOURY	SHELVES	FUNCTION	SHELF POSITION	TEMP (°C)	TIME (MIN)
<b>MEAT PIES</b>	Single	Pastry Bake or Fan Bake	3	190-195	30-40
<b>SAUSAGE ROLLS</b>	Single	Pastry Bake or Fan Bake	3	190-200	20-25
<b>VEGETABLES</b>	Single	Fan Bake	3	175-190	30-50
<b>LASAGNE</b>	Single	Fan Bake	3	175-190	35-45
<b>CASSEROLES</b>	Single	Slow Cook or Classic Bake	2	120-150	2-4 hr
<b>PIZZA</b>	Single	Pizza	1 or 2	Pizza (280)	10-15
<b>QUICHE</b> (blind bake, then add filling)	Single	Pastry Bake or Fan Bake	3	180-200	30-40
<b>POTATOES, WHOLE</b> (baked)	Single	Bake	3	200	50-60
<b>FRITTATA</b> (shallow)	Single	Pastry Bake	3	170-180	15-20
<b>OVEN MEALS</b>	Single	Fan Forced	3	170-190	30-40

## COOKING CHARTS

ROASTING	SHELVES	FUNCTION	SHELF POSITION	TEMP (°C)	TIME (MIN)	MEAT PROBE (°C)
<b>BEEF, BONELESS</b> (times per 450g)						
Rare	Single	Roast	2 or 3	160-170	18-32	54-59
Medium	Single	Roast	2 or 3	160-170	25-40	60-74
Well done	Single	Roast	2 or 3	160-170	30-55	74-79
<b>PRIME RIB ROAST</b> (times per 450g)						
Rare	Single	Roast	2 or 3	160-170	15-30	54-59
Medium	Single	Roast	2 or 3	160-170	20-35	60-74
Well done	Single	Roast	2 or 3	160-170	25-40	74-79
<b>LAMB RACK</b>						
Medium rare	Single	Roast	3	200	20	50
<b>LAMB LEG, BONE IN</b> (times per 450g)						
Medium	Single	Roast	2 or 3	160-170	18-28	65-70
Well done	Single	Roast	2 or 3	160-170	20-33	74-79
<b>LAMB LEG, BONELESS</b> (times per 450g)						
Medium	Single	Roast	2 or 3	160-170	20-35	65-70
Well done	Single	Roast	2 or 3	160-170	25-45	77-79
<b>VEAL</b> (times per 450g)						
Medium	Single	Roast	2 or 3	160-170	20-40	71
Well done	Single	Roast	2 or 3	160-170	25-45	76
<b>CHICKEN, WHOLE</b> (times per 450g, excl. butterflied)						
Unstuffed	Single	Fan Grill	2 or 3	175	15-20	75
Stuffed	Single	Roast	2 or 3	175	17-22	75
Butterflied	Single	Fan Grill	3 or 4	175	40-50	75
<b>TURKEY, WHOLE</b> (times per 450g)						
Stuffed	Single	Roast	1 or 2	160-170	17-22	75
Unstuffed	Single	Roast	1 or 2	150-165	15-20	75

## COOKING CHARTS

ROASTING	SHELVES	FUNCTION	SHELF POSITION	TEMP (°C)	TIME (MIN)	MEAT PROBE (°C)
<b>PORK, BONELESS</b> (times per 450g)						
Medium	Single	Roast	2 or 3	170-175	25-40	63-68
Well done	Single	Roast	2 or 3	170-175	30-45	74-79
<b>PORK CRACKLING</b>						
Crisp (watch closely)	Single	Fan grill	4	220	5-10	n/a
<b>VENISON</b> (times per 2.5cm thickness <sup>1</sup> )						
Rare	Single	Fan grill	4	225	7	49-54
Medium	Single	Fan grill	4	225	9	55-60

<sup>1</sup>Brown in frying pan first.

## COOKING CHARTS

<b>GRILLING</b>	<b>SHELVES</b>	<b>FUNCTION</b>	<b>SHELF POSITION</b>	<b>TEMP (°C)</b>	<b>TIME (MIN)</b>
<b>BEEF</b>					
Steak, rare	Single	Grill	6 or 7	HI	8-10
Steak, medium	Single	Grill	6 or 7	HI	10-15
Burgers	Single	Grill	6 or 7	HI	12-15
Meatballs	Single	Grill	6 or 7	HI	12-15
<b>LAMB</b>					
Chops, medium	Single	Grill	6 or 7	HI	15-20
Chops, well done	Single	Grill	6 or 7	HI	20-25
<b>PORK</b>					
Chops, well done	Single	Grill	6 or 7	HI	15-20
Ham steak	Single	Grill	6 or 7	HI	15-20
Bacon	Single	Grill	6 or 7	HI	4-7
<b>CHICKEN</b>					
Boneless pieces	Single	Fan Grill	6 or 7	175	30-40
Bone in pieces	Single	Fan Grill	6 or 7	175	40-50
<b>SAUSAGES</b>	Single	Grill	6 or 7	HI	10-15
<b>FISH</b>					
Fillets	Single	Fan Grill	6 or 7	200-220	8-12
Whole	Single	Fan Grill	6 or 7	200-220	15-20
<b>VEGETABLES</b>					
Sliced	Single	Grill	6 or 7	HI	8-12



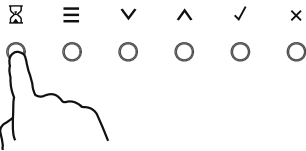
## SETTING THE TIMER




- You can use the timer at any time, even if you are not using the oven.
- If the time is more than an hour, the display will count down in minutes (h:m).  
If it is less than an hour, it will count down in seconds (m:s).
- You can set the timer for up to 23 hours 59 minutes.

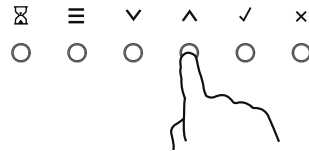
### IMPORTANT!



The timer does **NOT** turn the oven off.

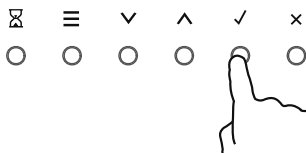
#### To set the timer




- ① Press  to access the timer.
- The timer indicator  will appear on the display.
  - The display will flash.
  - Press  to return to the time of day.



- ② Press  or  to adjust the time.



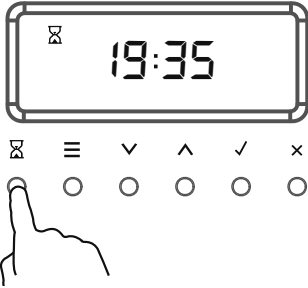
- ③ Press  to confirm and set the time.
- The timer will begin to count down.
  - The display will stop flashing.

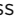


- ④ Press  to return to the time of day.

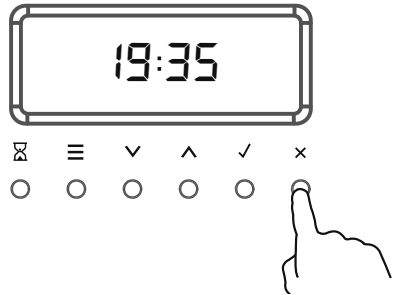
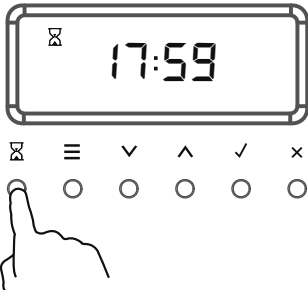
## SETTING THE TIMER




### To edit the timer




- ① Press  to access the timer.
- ② Follow the steps on the previous page to adjust the timer.

### To cancel the timer



- ① Press  to access the timer.
- ② Press and hold  to zero the countdown timer. The display will revert to showing the time of day.
- ③ The timer icon  will disappear.

### When the set time is up

- A tone will sound every few seconds.
- Press any control to stop the tone sounding.
- The timer icon  will disappear and the display will revert to showing the time of day.

# AUTO COOK

## Use Auto Cook to

- Turn off the oven automatically after a set period of time.
- Set the oven for food to be ready at a specific time.
- If you start cooking manually and only want the oven to turn off automatically after a set period of time: simply set the cook time following steps 1 to 3 below and select a function and temperature. The oven will automatically turn off when the cook time is over.
- Alternatively you can simply set the time of day you wish to the oven to turn off. Follow steps 4 to 6. The oven will automatically turn off when the end time is reached.

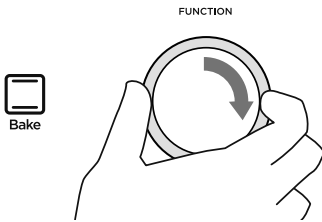
## Before you start

- Make sure that your oven is displaying the correct time of day and food is in the oven.

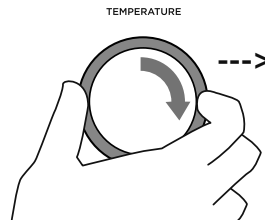
## IMPORTANT!

**Safe food handling: leave food in the oven for as short as time as possible before and after cooking or defrosting. This is to avoid contamination by organisms which may cause food poisoning. Take particular care during warmer weather.**

## Select function and temperature

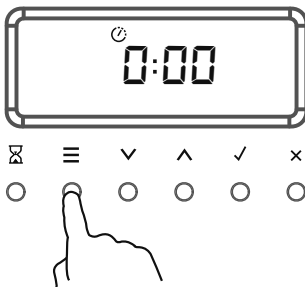




- ① Select a function.
- The dial halo will stop flashing.

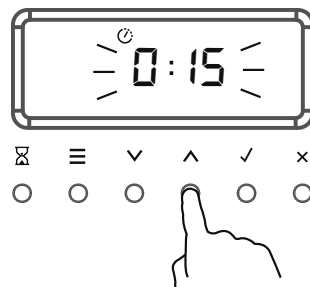




- ② Select a temperature.
- The dial halo will stop flashing.

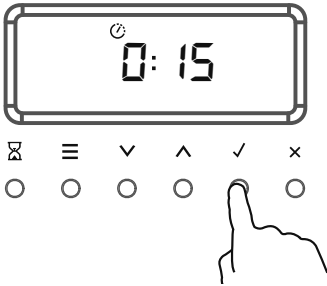
## To set the cook time



- ③ Press .
- The cook time  indicator will appear in the display.

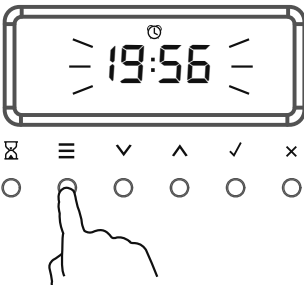


- ④ Press  or  to set the cook time. Make sure you allow for preheat time in your calculation.
- The display will flash.

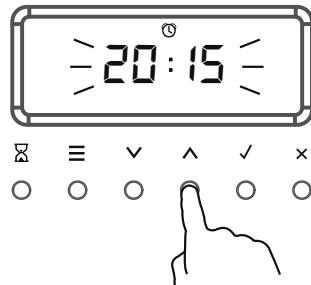


- ⑤ Press ✓ to confirm the cook time.

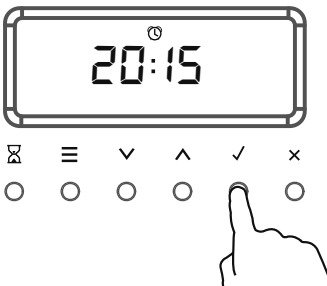
## To set the end time



- ⑥ Press ≡ to scroll between cook time and end time.
- The end time ⌚ indicator will appear and the display will flash.



- ⑦ Press ▼ or ▲ to set the time you would like your food to be ready (ie end time).




- ⑧ Press ✓ to confirm the end time.

## AUTO COOK

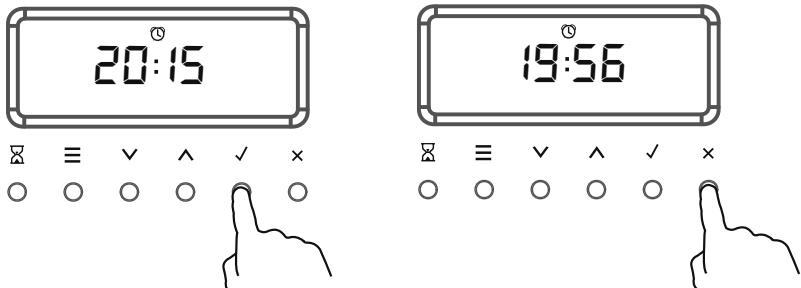
### When Auto Cook is set



- The oven and the lights will stay off, the halos will be unlit, but your oven is now set for automatic cooking. It will automatically turn on at the required time.
- You can modify the function and temperature while the oven is waiting to start cooking.
- If setting Delayed Cook you will need to put the food in the oven before starting.
- For safety reasons opening the door while the oven is waiting to start will cancel Delayed Cook.

### To edit Auto Cook

Press  to scroll between cooking time and end time. Follow previous instructions on setting the cook time and end time.

### To cancel Auto Cook



- ① Press  to scroll between cooking time and end time.
  - ② Press and hold  .
- The display will revert to showing the time of day.
  - Turning the function and temperature dials back to **O** (OFF) will also cancel automatic cooking.

### When the set time is up

The oven will automatically turn off and a long tone will sound.

- Press any button to stop the tone sounding.
- Turn the function and temperature dials back to **O** (OFF).

### While the oven is heating up

#### IMPORTANT!

- During Auto Cook the grill element will come on while the oven is heating up. Food placed into a cold oven could be prone to burning as the oven heats up.
- Large items and foods with a high fat or sugar content are especially prone to burning. Take particular care with foods such as macaroni cheese, large poultry, and enchiladas.
- Ideal foods for automatic cooking include stews, casseroles, braised meat and potato top pie.
- Position food on a lower shelf to prevent burning.
- Where possible cook food in a pan with a lid, or cover food with foil.

## LOCKING THE OVEN CONTROLS

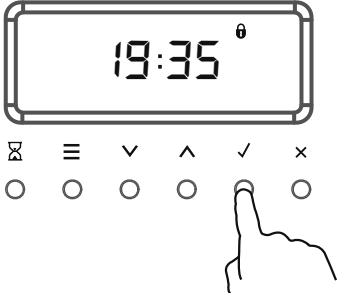
---


This function is to prevent accidental use of the oven (eg by children). When locked, the controls are unresponsive and the oven will not turn on.

### IMPORTANT!

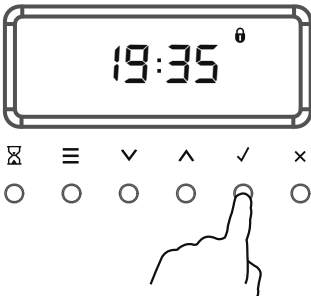
**This does not lock the cooktop controls.**


#### To lock:



- ① Press and hold ✓ until there is a beep.
  - The lock indicator  will appear on the display.
  - The oven controls are now locked.

#### To unlock:



- ② Press and hold ✓ until there is a beep and the lock indicator  disappears.
  - The oven controls are now unlocked.

## USER PREFERENCE SETTINGS

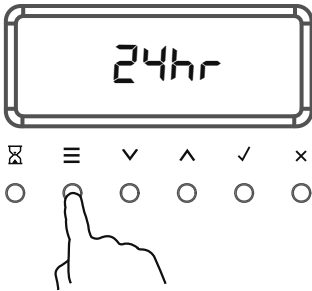
### Adjust the user settings to suit your personal setup preferences.

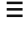
You can set your oven to:

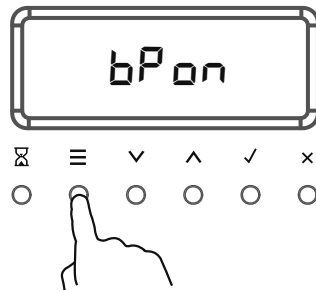
- give audio feedback (tones and beeps) or operate quietly
- display time as 12-hr or 24-hr
- operate with the display off
- have its lights on or off during cooking
- operate in Sabbath Mode (see 'Sabbath Mode' following).


Note: you cannot change the user preference settings when your oven is operating or set for automatic cooking.

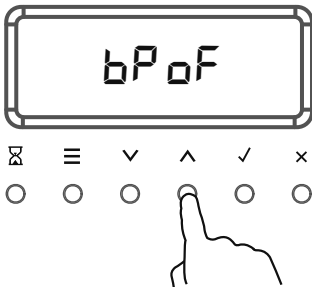
### How to change preference settings





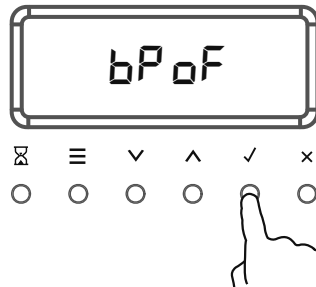
- ① Press and hold  until there is a beep.
- The display will show 12 or 24 hr.





- ② Press  to scroll through to the setting you want to change.



- ③ Press  or  to scroll through the options for that particular setting.
- The display will flash while in edit mode.



- ④ Press  to save the new option and exit user preference mode.
- The display will stop flashing.
  - Press  to exit user preference mode without changing the setting.

## USER PREFERENCE SETTINGS

SETTING	DEFAULT OPTION	ALTERNATIVE OPTION(S)	
<b>CLOCK DISPLAY</b> Select between: <ul style="list-style-type: none"> <li>• Analog and digital display</li> <li>• 12-hr and 24-hr display</li> <li>• Display off**</li> </ul> Turn the display off if you only want to use the basic functionalities of your oven.	24H	12H	DISPLAY OFF**
	24Hr	12Hr	oFF
<b>AUDIO FEEDBACK</b> Turn the oven beeps and tones on or off.*	BEEPS/TONES ON*	BEEPS/TONES OFF*	
	bPon	bPoF	
<b>OVEN LIGHTS</b> Have the light off during cooking if you want to save power or want the food you cook to be a surprise for others.	LIGHTS ON	LIGHTS OFF	
	Lton	LtoF	
<b>SABBATH MODE</b>	SABBATH OFF		
	SboF		

\*The timer tone and alert beeps will sound even if you save the BEEPS OFF option.


\*\*With this option saved, you can still use the oven, and timer, however the display will remain unlit. Any automatic functions will be cancelled when this option is selected. To quit this option and enable the display, press and hold **X**.



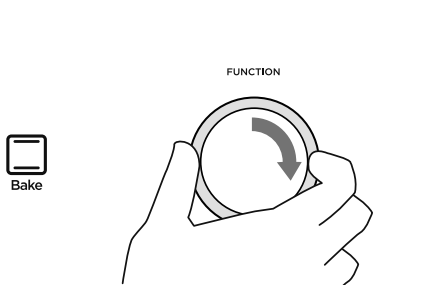
## SABBATH MODE


This setting is designed for religious faiths that observe a 'no work' requirement on the Sabbath.

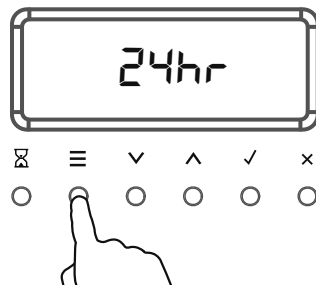
### While your oven is in Sabbath Mode

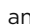
- The display, dial halos and indicators will be unlit, the controls will be unresponsive.
- No tones or beeps will sound.
- No alert codes or temperature changes will be displayed.
- The oven lights will stay on. If you want the oven lights to be off during Sabbath Mode, first select the 'Lights off' option as described in 'User preference settings', and then set Sabbath Mode afterwards.
- Bake  is the only function available in Sabbath Mode.

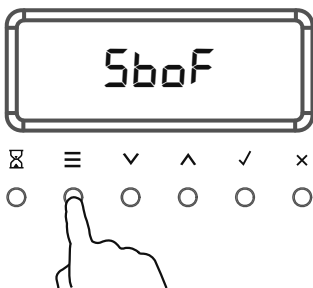
### How to set Sabbath Mode




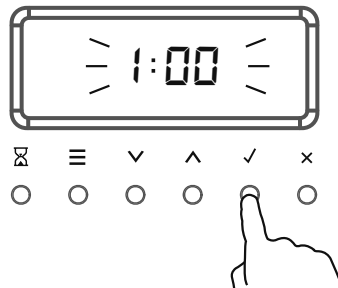
- ① Set the oven function to Bake  and set the desired temperature.
- Note: bake is the only function that can be used in Sabbath Mode.






- ② Press and hold  until there is a beep to enter the user preference menu.



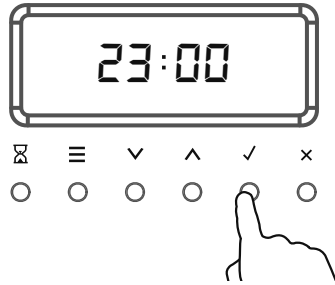
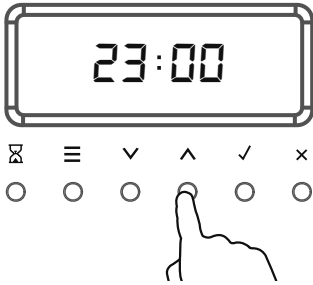
- ③ Press  to scroll through to Sabbath Mode.
- The default setting is Sabbath Off.



- ④ Press  or  to scroll between Sabbath Off and Sabbath on.
  - ⑤ Press  to activate the option.
- 1:00 will flash in the display.

## SABBATH MODE

---



- ⑥ Press  $\downarrow$  or  $\uparrow$  to set the time (hrs).  
You may set the time up to 48 hours.

- ⑦ Press  $\checkmark$  to confirm.

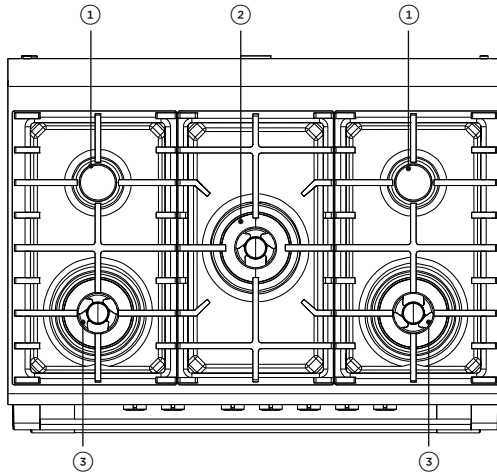
The display, indicators and dial halos will remain unlit and unresponsive, but the oven will bake until you quit Sabbath Mode.

### To quit Sabbath Mode

Press and hold  $\times$  until the time of day appears in the display and the oven turns off, or turn the function and temperature dials back to  $\circ$  (OFF).

# USING YOUR GAS COOKTOP

## OR90 models – cooktop

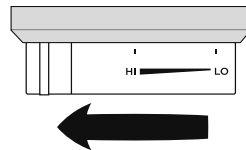
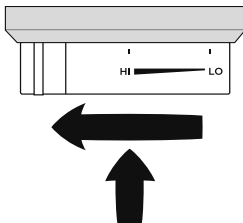


- ① Semi-rapid burner
- ② Dual wok burner
- ③ Triple-ring wok burner

### Burner Controls

The dials control the flow of gas through the valve.

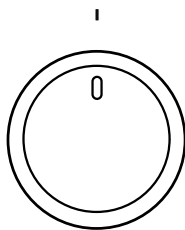
### Using the single burners



- ① Identify the dial of the burner you want to use.
- ② Starting from the **O** (OFF) position, push the dial in and turn it anticlockwise to **HI**.
  - The ignitor on the burner will spark.
- ③ After the burner has lit keep the dial held in for a few more seconds before releasing.
  - Releasing the dial too soon will extinguish the flame.
- ④ When the burner has lit, adjust the flame anywhere between **HI** and **LO**.
  - Do not adjust the dial between **HI** and **O** (OFF).

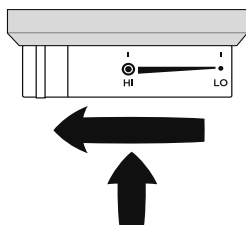
## USING YOUR GAS COOKTOP

---



- ⑤ When you have finished cooking, turn the knob clockwise back to **O** (OFF).
- If you are using LP gas, there may be a slight 'extinction pop' or flash at the flame spreader a few seconds after the burner has been turned off. This is normal for LP gas.

### Using the dual burner



- ① Starting from the **O** (OFF) position, push the dial in and turn it anticlockwise to either **HI** ● to light both the inner and outer rings or **LO** ● to light the inner ring only.

### Flame failure protection

Your cooktop is equipped with flame failure protection: the gas supply will automatically be cut off to a burner that is accidentally blown out by a draught or extinguished by a spill.

## USING YOUR GAS COOKTOP

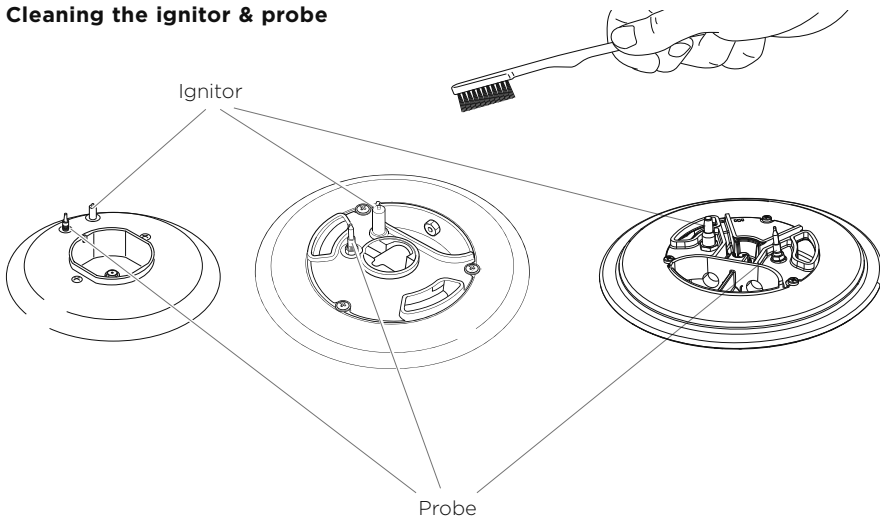
### If a burner does not light

Turn the control dial to **O** (OFF) and wait at least one minute before trying again, to allow the gas to disperse.

### If the burner still does not light, check that:

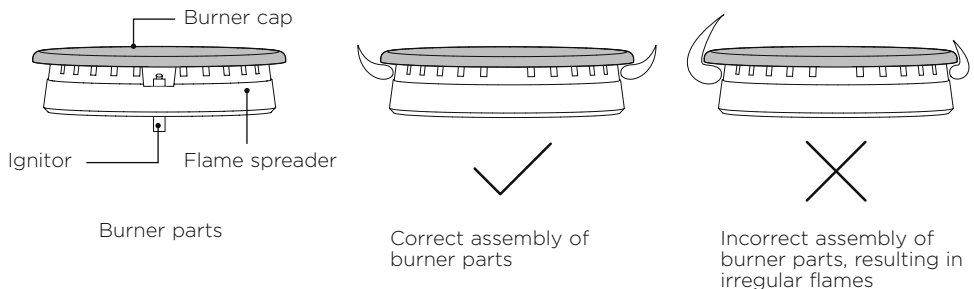
- the cooker is plugged in and the power supply is switched on
- there is no power failure in your home or neighborhood
- the gas is turned on
- the gas bottle is not empty (if you use bottled gas)
- the flame spreaders are clean and the holes are not clogged
- the ignitors are sparking. If they are not sparking, they may be dirty or wet. Clean them with a toothbrush and methylated spirits, as shown below. See 'Care and cleaning' for instructions on removing and replacing the burner parts.

### Cleaning the ignitor & probe



### If the flame is irregular, check that the burner parts (flame spreader and burner cap) are:

- clean and dry
- positioned correctly, as shown below.
- For further advice, see sections 'Care and cleaning' and 'Troubleshooting'.



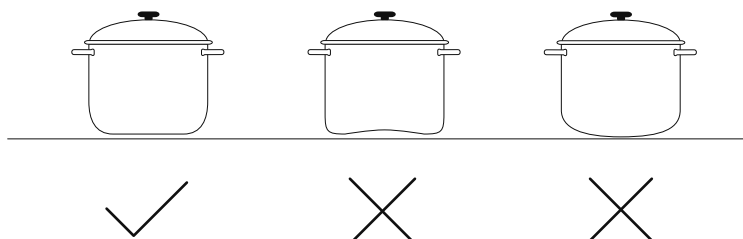
# COOKING GUIDELINES AND COOKWARE

## Cooking guidelines

### IMPORTANT!

- Never leave the cooktop unattended when in use. Boilover causes smoking and greasy spills that may ignite.
- Take care when deep-frying: oil or fat can overheat very quickly, particularly on a high setting.
- Start cooking on a high setting. When food comes to the boil, reduce the setting and maintain a steady heat to cook your food thoroughly. Doing this will reduce the cooking time.
- Using a lid will reduce cooking times through retaining the heat.
- Minimise the amount of liquid or fat to reduce cooking times.
- For simmering, the recommended burner to use is the semi-rapid burner at the rear of the cooktop or the inner ring of the dual wok burner at the front of the cooktop. Use for delicate cooking such as melting chocolate.
- For maximum power, the recommended burner to use is the triple ring burner in the centre of the cooktop or the full dual wok burner at the front of the cooktop. Use for heat-intensive cooking such as searing meat.

## Cookware



- Use saucepans with thick flat bases. Food in a saucepan with an uneven base will take longer to cook.
- Do not let large saucepans or frying pans overlap the bench, as this can deflect heat onto your benchtop and damage its surface.
- Always make sure saucepans are stable. Using very heavy saucepans may bend the pan supports or deflect the flame.
- Make sure the size of the pan matches the size of the burner. A small pot on a large burner is not efficient.

The following table shows the minimum and maximum saucepan base diameters that may be used on each burner:

BURNER	MINIMUM DIAMETER	MAXIMUM DIAMETER
Semi-rapid	16cm	24cm
Triple-ring wok	26cm	28cm
	Maximum diameter for woks 36cm	
Dual (inner crown only)	12cm	14cm
Dual (inner and outer crowns)	26cm	28cm
	Maximum diameter for woks 36cm	

## COOKING GUIDELINES AND COOKWARE

---

### Wok stand

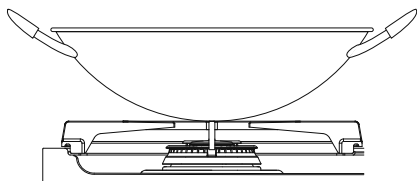
The wok stand fits over the triple-ring wok or dual burner trivet.

### IMPORTANT!

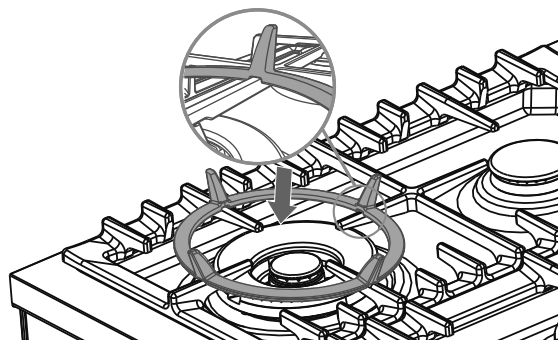
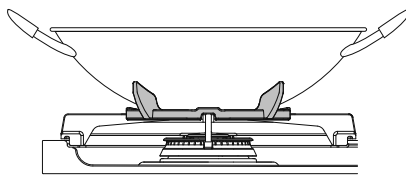
- Using a wok without the stand may cause the wok to tip or the wok or dual burner to operate incorrectly.
- Do not use the stand for ordinary, flat-bottomed saucepans.
- The wok stand **MUST ONLY BE PLACED** over the trivet for the triple-ring wok or dual burner.
- The cooktop becomes very hot during operation. Keep children well out of reach.

### Correct placement of wok stand

Wrong



Correct



## USING THE STORAGE SPACE

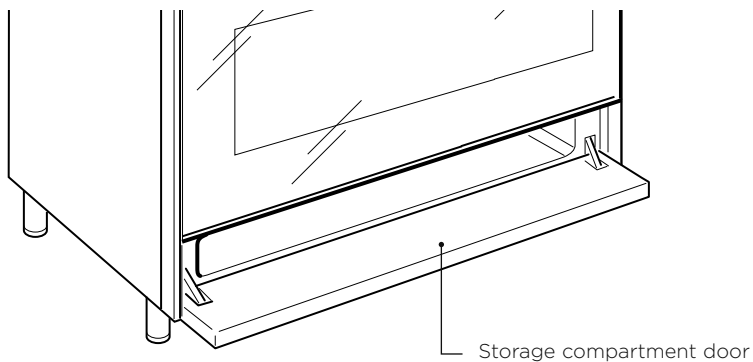
### Storage compartment

Your cooker is equipped with a storage compartment below the oven.

- Use this to store bakeware, oven trays and shelves when not in use.
- Do not store flammable items in the compartment.

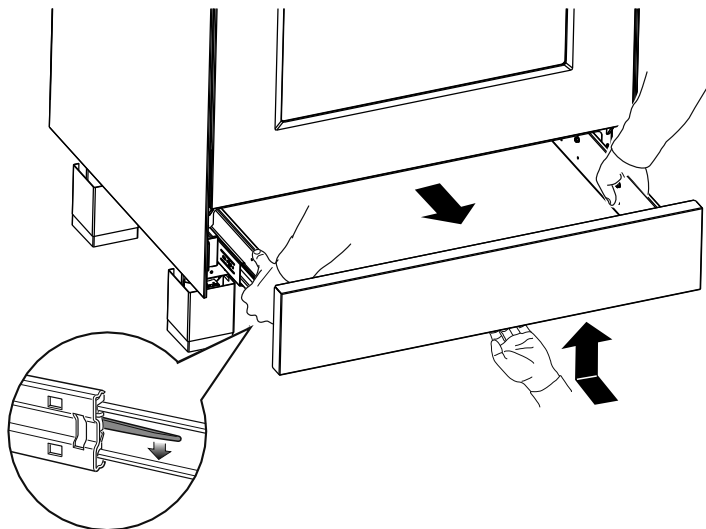
### To access the storage compartment (OR90SCG2 models only):

Pull down the compartment door from the top to flip it open.



### To access the storage drawer (OR90SCG4 and OR90SDG4 models only):

Grab the bottom of the drawer's face and pull towards you to open it. The drawer will slide out.





## CARE AND CLEANING

---

### DOS

- Read these cleaning instructions and the 'Safety and warnings' section before you start cleaning your cooker.
- Before cleaning or removing any part, make sure that everything on the cooker has been turned off.
- Unless suggested otherwise in the chart following, allow any part to cool to a safe temperature before cleaning. If you do need to handle a warm or hot part, take extreme care. Wear long protective mitts to avoid burns from steam or hot surfaces.
- Try using any cleaner on a small area first, to ensure it doesn't stain.
- See the pages following this chart for instructions on removing and replacing different parts of the cooker for cleaning or maintenance.
- To help you identify any parts, see illustrations in section 'Introduction' and after this cleaning chart.
- Ensure the anti-tip device is re-engaged if you move the cooker for cleaning. Failure to do this may result in the oven tipping, and adults and children may be killed.
- To prevent soiling from becoming 'baked on' and stubborn, we recommend removing any easy-to-reach spills, food or grease stains from the oven cavity enamel after each use.

### DON'TS

- Do not use aerosol cleaners until the cooker has completely cooled. The propellant substance in these cleaners could catch fire in the presence of heat.
- Do not let soiling or grease accumulate anywhere in or on the cooker. This will make future cleaning more difficult and may present a fire hazard.
- Do not use any abrasive or harsh cleaners, cloths, scouring pads or steel wool. These will scratch your cooker and damage its appearance.
- Do not use a steam cleaner to clean any part of the cooker.
- Do not perform any cleaning or maintenance on parts not specifically named in the chart below. If in doubt, contact Customer Care.

## CARE AND CLEANING

### Manual cleaning chart

WHAT?	HOW?	IMPORTANT!
<b>COOKER EXTERIOR</b>		
<b>Door frame exterior,</b> <b>Control panel,</b> <b>Cooktop base</b> <b>Back trim</b> <b>Storage compartment door</b> After every use	① Soften any stubborn stains under a hot soapy cloth. ② Clean with a solution of mild detergent and hot water, then wipe dry with a microfibre cloth.  <b>Stainless steel models:</b> For extra shine, use a suitable stainless steel cleaner and polish, following manufacturer's instructions. Always rub the stainless steel in the direction of the polish lines.	<ul style="list-style-type: none"> <li>• Always read the label to make sure your stainless steel cleaner does not contain chlorine compounds as these are corrosive and may damage the appearance of your cooktop.</li> <li>• Do not use &amp; take care not to spill any stainless steel cleaner on the dials, oven handles, or the kickstrip grate. These are not stainless steel parts and their surface may be damaged by stainless steel cleaner.</li> </ul>
<b>Dials</b> <b>Oven handles</b>	① Wipe with a damp cloth using a solution of mild detergent and hot water. ② Dry thoroughly with microfiber cloth.	<ul style="list-style-type: none"> <li>• Do not use stainless steel cleaner on these parts, as doing so may damage their coating.</li> </ul>
<b>Clock</b>	Take particular care when cleaning the clock and surrounding area. Only use a damp cloth with detergent.	<ul style="list-style-type: none"> <li>• Do not use any oven cleaners, harsh or abrasive cleaners, scouring pads, steel wool or sharp metal scrapers on the glass. These may scratch and damage the surface.</li> </ul>
<b>Oven door glass (exterior)</b>	Clean using a soft cloth and a mixture of warm water and dishwashing liquid or glass cleaner.	

## CARE AND CLEANING

### Manual cleaning chart

WHAT?	HOW?	IMPORTANT!
<b>OVEN PARTS</b>		
<b>Enamel oven interior – light soiling</b>	<ol style="list-style-type: none"> <li>① Wipe with a damp cloth and a solution of hot water and mild detergent.</li> <li>② Wipe dry with a soft cloth.</li> </ol> <p>Note: the oven door may be removed to make reaching into the oven easier.</p>	<ul style="list-style-type: none"> <li>• To prevent soiling from becoming 'baked on' and stubborn, we recommend removing any easy-to-reach spills, food or greasy stains from the enamel after each use.</li> </ul>
<b>Enamel oven interior – stubborn, 'baked-on' soiling</b>	<ol style="list-style-type: none"> <li>① Remove everything from the oven: shelves, side racks, all utensils.</li> <li>② Cover the floor in front of the oven with several layers of newspaper to protect these surfaces from damage by oven cleaner seeping out or accidentally dripping on them.</li> <li>③ Apply an ammonia-based cleaner or oven cleaner following the cleaner manufacturer's instructions.</li> <li>④ After cleaning, replace the side racks and shelves.</li> </ol>	<ul style="list-style-type: none"> <li>• Oven cleaners are caustic and may permanently stain or damage some surfaces.</li> <li>• When using, take care not to let it come in contact with any surface other than the oven interior. If it accidentally does, remove immediately.</li> </ul>
<b>Side racks</b>	Pre-soak any stubborn, burnt-on soiling, then clean with a solution of mild detergent and hot water and wipe dry with a microfibre cloth.	
<b>Oven shelves</b>	Wipe with a damp cloth and mild detergent. Do not wipe off or wash away the white lubricating grease (visible when the shelf is extended).	<ul style="list-style-type: none"> <li>• Never leave in the oven during a Self Clean cycle.</li> <li>• Do not wash the shelf in the dishwasher, immerse in soapy water, or use oven cleaner on it. Doing so will prevent the slides from running smoothly.</li> </ul>
<b>Roasting dish and grill rack</b> <b>Rotisserie parts</b>	<ol style="list-style-type: none"> <li>① Pre-soak any stubborn soiling in a solution of mild detergent and hot water.</li> <li>② Wash by hand or in a dishwasher.</li> </ol>	<ul style="list-style-type: none"> <li>• Never leave any of these parts in the oven during a Self Clean cycle. They will become discoloured or damaged.</li> </ul>
<b>Bake and grill burners</b>	Do not clean these parts. They self-clean during normal use.	

## CARE AND CLEANING

### Manual cleaning chart

WHAT?	HOW?	IMPORTANT!
<b>OVEN PARTS</b>		
<b>Oven door glass (interior)</b> After every use	<ul style="list-style-type: none"><li>• Use a soft cloth and a mixture of warm water and dishwashing liquid to remove light soiling after every use.</li><li>• For stubborn stains, try using a mixture of baking soda and warm water with a non-abrasive scrubbing pad, then wipe dry with a soft, lint-free cloth.</li></ul>	<ul style="list-style-type: none"><li>• Do not use oven cleaners or any other harsh/abrasive cleaners, cloths, scouring pads, steel wool or sharp metal scrapers to clean the oven door glass. These scratch the glass, which in turn could result in the glass cracking and shattering.</li><li>• Do not allow grease to build up on the glass or become baked on as this reduces visibility into the oven.</li></ul>
<b>Oven door gasket</b>	Avoid cleaning this part. If you need to remove large food particles off it, proceed as follows: <ol style="list-style-type: none"><li>① Dampen a sponge with clean hot water.</li><li>② Gently wipe off the soiling, but do not rub.</li><li>③ Press a dry towel gently on the gasket to dry.</li></ol>	<ul style="list-style-type: none"><li>• Do not use any cleaning agent on the gasket.</li><li>• The gasket is essential for a good seal. Take care not to rub, displace, or damage it.</li></ul>
<b>Storage drawer/ compartment (interior)</b>	<ol style="list-style-type: none"><li>① Wipe with a damp cloth and a solution of hot water and mild detergent.</li><li>② Wipe dry with a soft cloth.</li></ol> <p>Note: the drawer may be removed to make cleaning easier.</p>	
<b>Drip tray under door</b>	<ol style="list-style-type: none"><li>① Remove oven door.</li><li>② Wipe with a damp cloth and a solution of hot water and mild detergent.</li></ol>	

# CARE AND CLEANING

## Manual cleaning chart

WHAT?	HOW?	IMPORTANT!
<b>COOKTOP PARTS</b>		
Aluminum and enameled burner caps and flame spreaders	<ol style="list-style-type: none"> <li>① Check that the burner is turned OFF and allow it to cool.</li> <li>② Lift off the burner cap and brass flame spreader.</li> <li>③ Wash them in hot soapy water, rinse, and dry. <ul style="list-style-type: none"> <li>• Use a stiff nylon brush or straight-ended paper clip to clear the notches of the flame spreader.</li> </ul> </li> <li>④ Replace the flame spreader and burner cap correctly. See 'Replacing the burner parts'.</li> </ol> <p><b>Brass burner parts only:</b> For extra shine and to remove tarnish use a suitable brass cleaner and polish, following manufacturer's instructions.</p>	<ul style="list-style-type: none"> <li>• Keep the notches of the flame spreaders clear. Soiling may clog these and cause ignition problems.</li> <li>• Before replacing the burner parts, check that they are dry. Wet burner parts may result in an irregular flame.</li> <li>• Before lighting a burner you have reassembled, check that all of its parts are positioned correctly. Incorrect assembly can cause dangerous irregular flames and ignition problems.</li> <li>• Do not put any burner parts in the dishwasher as they will become discoloured.</li> </ul>
Ignitors	<ol style="list-style-type: none"> <li>① Check that the burner is turned OFF.</li> <li>② Clean the ignitor with a small brush (eg old toothbrush) or cotton swab that has been dipped into rubbing alcohol.</li> </ol>	<ul style="list-style-type: none"> <li>• The ignitors must be kept clean and dry to work correctly. Dirty or wet ignitors could cause constant clicking and sparking, even if a flame is present.</li> </ul>
Burner grates	<ol style="list-style-type: none"> <li>① Wait until the grates have cooled completely.</li> <li>② Carefully lift the grates off the cooktop and place them on a protected surface.</li> <li>③ To remove stubborn stains, soak the grates in a mixture of clothes washing detergent and water.</li> <li>④ Wash in a mixture of hot water and dishwashing liquid, then rinse and allow to dry.</li> </ol> <ul style="list-style-type: none"> <li>• The grates are also dishwasher safe.</li> </ul>	<ul style="list-style-type: none"> <li>• Take care, the grates are heavy.</li> <li>• Make sure you place a dish towel or other soft cover on the surface before putting a grate on it.</li> </ul>
Wok ring	<ol style="list-style-type: none"> <li>① To remove stubborn stains, soak the grates in a mixture of clothes washing detergent and water.</li> <li>② Wash in a mixture of hot water and dishwashing liquid, then rinse and allow to dry.</li> </ol> <ul style="list-style-type: none"> <li>• The wok ring is also dishwasher-safe.</li> </ul>	

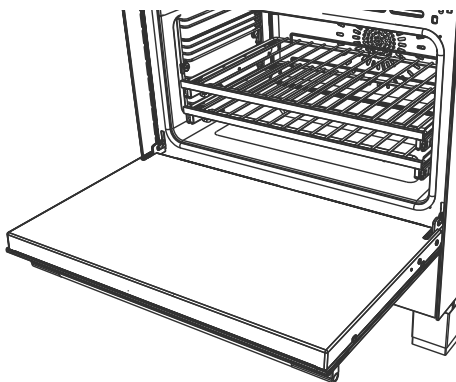
## CARE AND CLEANING

### Removing and replacing the oven door

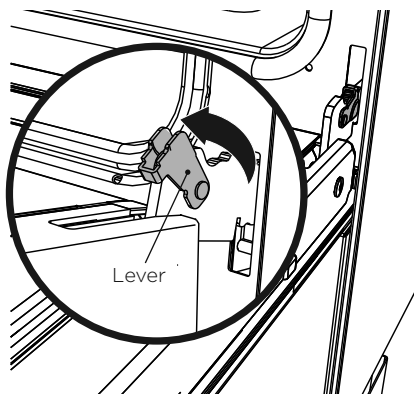
#### **IMPORTANT!**

- Switch the oven off at the wall before removing the door.
- Do not lift the oven door by its handle. Doing so may damage the door.
- Make sure the oven and the door are cool before you begin to remove the door.
- Before removing the door, make sure there is a large enough clear, protected surface in the kitchen to rest the door on.
- Take care, the oven door is heavy!

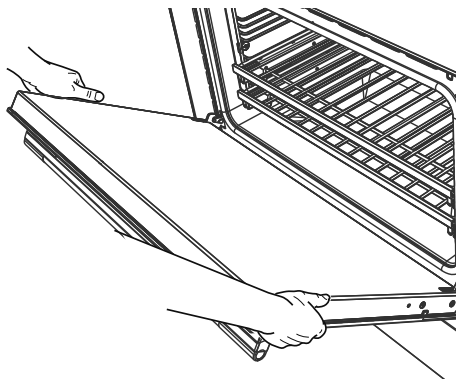
#### To remove the oven door



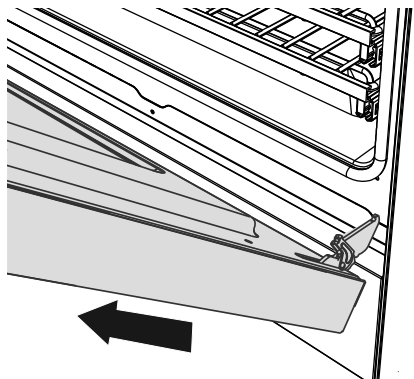
① Open the door fully.



② Open the levers fully on both sides.



③ Holding the door firmly on both sides, gently close it about halfway.



④ Disengage the hinges and remove the door. Place on a protected surface.

## CARE AND CLEANING

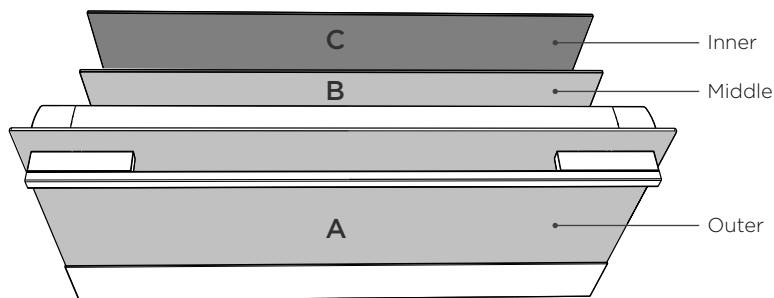
---

### Removing and replacing the door glass panes for cleaning

Once you have removed the oven door, you can remove the inner and middle panes of glass for cleaning if needed.

Make sure you follow the precautions and instructions below very carefully. Replacing the glass panes and the door incorrectly may result in damage to the oven and may void your warranty.

Your oven door has 3 panes of glass. The inner and middle panes may be removed for cleaning.



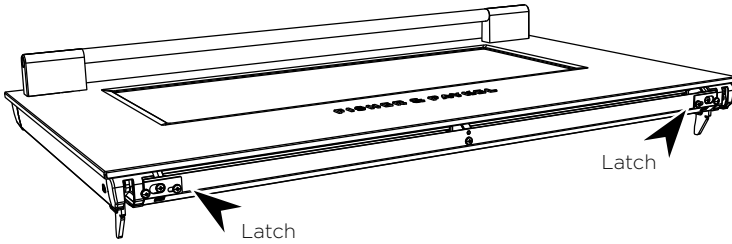
### IMPORTANT!

- Take extreme care when handling the glass panes. Avoid the edges of the glass bumping against any surface. This may result in the glass shattering.
- Don't use oven cleaners or any other harsh/abrasive cleaners, cloths, scouring pads, steel wool or sharp metal scrapers to clean the glass surfaces. These scratch the glass and may damage its special coating, which in turn could result in the glass cracking or shattering.
- If you notice any sign of damage on any of the glass panes (such as chipping or cracks), do not use the oven. Call your Authorised Repairer or Customer Care.
- Make sure you replace all the glass panes correctly. Do not use the oven without all glass panes correctly in place.
- If the glass panes feel difficult to remove or replace, do not force them. Call your Authorised Repairer or Customer Care for help.

**Note: service visits providing assistance with using or maintaining the oven are not covered by your warranty.**

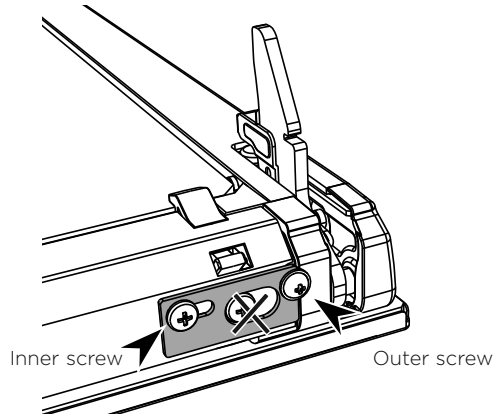
## CARE AND CLEANING

### To remove the door glass for cleaning

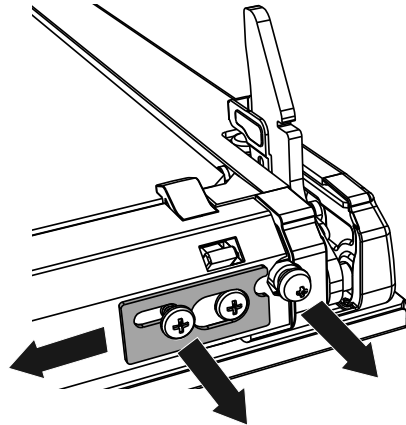


#### Open the latches securing the lower trim to the base of the oven door:

- ① Loosen the inner and outer screws securing each of the latches by two turns.
- Do not loosen the middle screw.
  - Do not fully remove the screws.

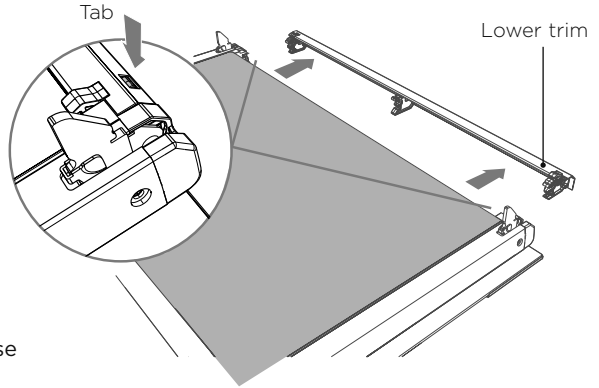


- ② Slide the latches inwards so that the lower trim can be removed.

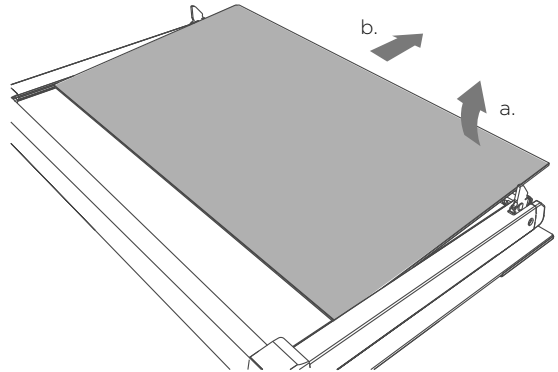




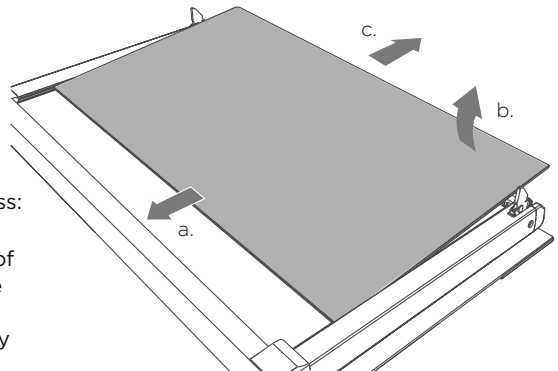
## CARE AND CLEANING



- ③ Press down on the tabs to release the lower trim and remove it.



- ④ Remove the inner pane of glass
- Lift the lower end slightly (a).
  - Gently slide the glass out (b).



- ⑤ Remove the middle pane of glass:
- Pull the pane slightly towards you so that the edges are clear of the support brackets at the base of the door (a).
  - Lift the lower end (b) and gently slide the glass out (c).

## CARE AND CLEANING

---

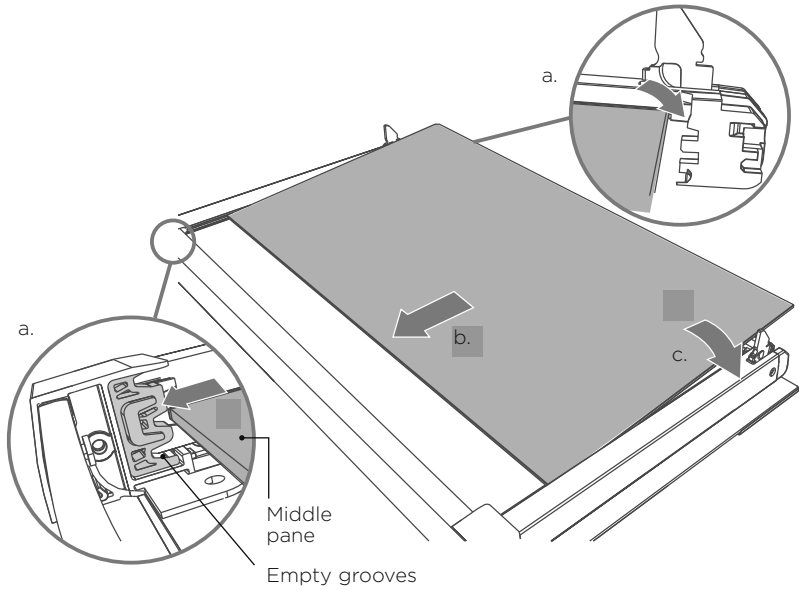
### **To replace the door glass after cleaning**

When replacing the glass panes, make sure that:

- You replace all panes correctly, as show on the following page.
- Each pane must be in the position described below in order to fit into the door and to ensure that the oven operates safely and correctly.
- You take extra care not to bump the edges of the glass against any object or surface.
- You do not force any of the panes into place. If you are experiencing difficulties replacing the panes, remove them and start the process again from the beginning. If this still does not help, call Customer Care.

## CARE AND CLEANING

---



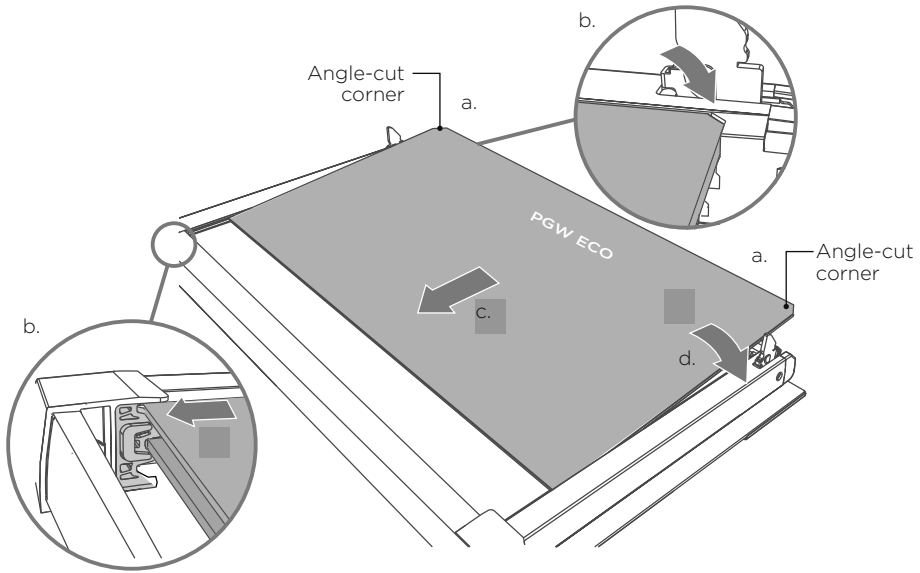
### ① Replace the middle pane of glass:

- Insert the glass into the middle set of grooves in the bracket at the top of the door (a).
- Pull the pane slightly towards you (b).
- Gently lower into place (c).

### **IMPORTANT!**

- Make sure the glass is facing the same way as when you removed it from the door.
- Use the middle set of grooves. The set of grooves closest to the outer pane must remain empty.

## CARE AND CLEANING



### ② Replace the inner pane of glass.

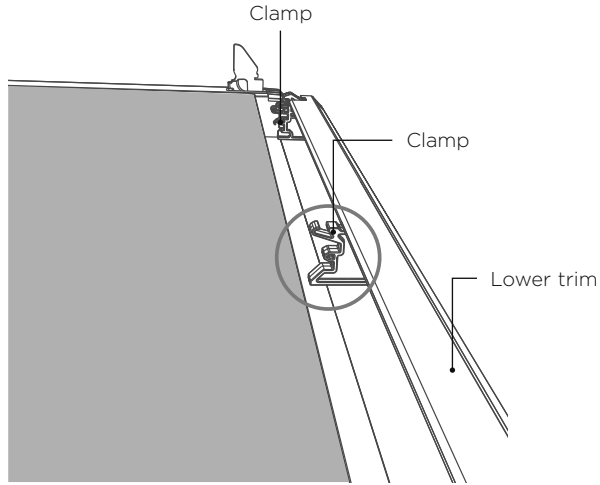
- Ensure the angle cut corners are positioned at the bottom of the door (a).
- Insert the the glass into the top set of grooves in the bracket at the top of the door (b).
- Pull the pane slightly towards you (c).
- Gently lower into place (d).

### **IMPORTANT!**

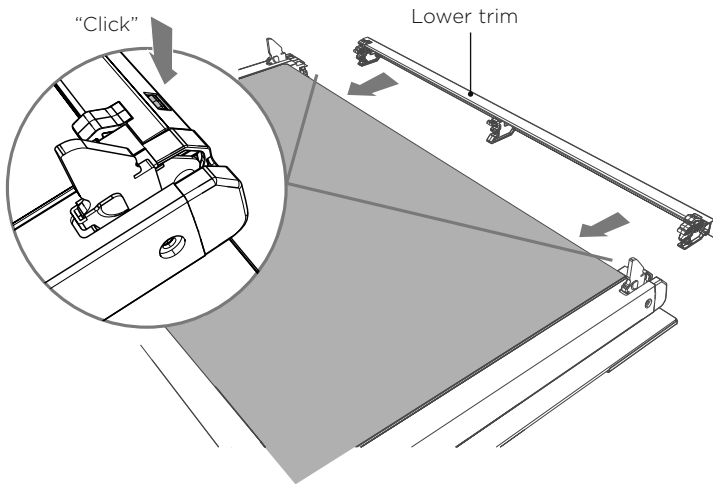
- Make sure the glass is facing the same way as when you removed it form the door.
- You should be able to read the wording on it as it faces you.

## CARE AND CLEANING

---



- ③ Align the lower trim with the door glass as shown. It should sit on the bottom edge of the outer door glass.
- Check that clamp in the centre is not damaged or misshapen.



- ④ Gently push the lower trim back onto the door glass until it clicks into place.

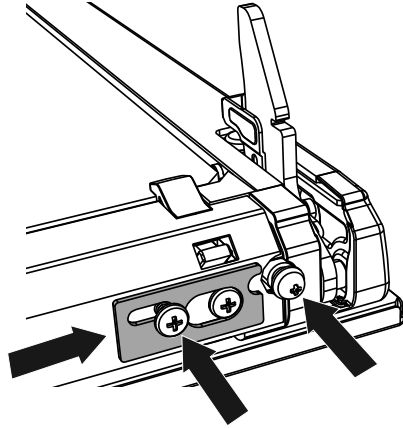
### **IMPORTANT!**

**Make sure the lower trim is fitted correctly and firmly in place and that the glass panes are secure.**

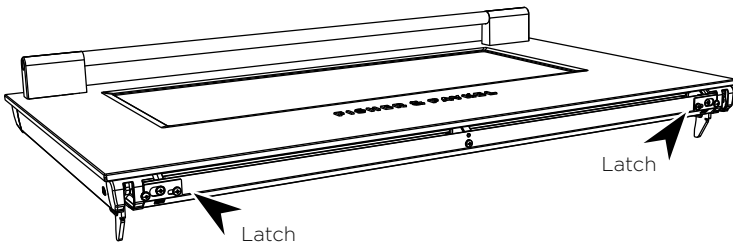
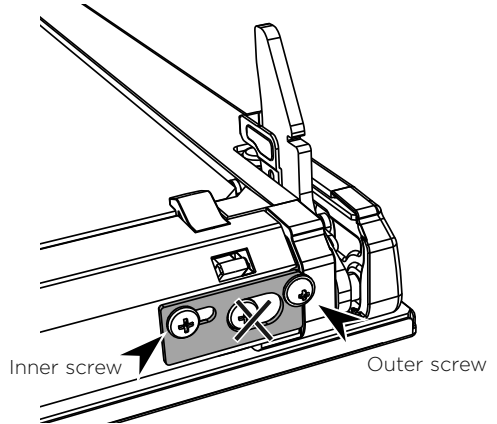
## CARE AND CLEANING

---

- ⑤ Slide the two latches back into place on the base of the lower trim.



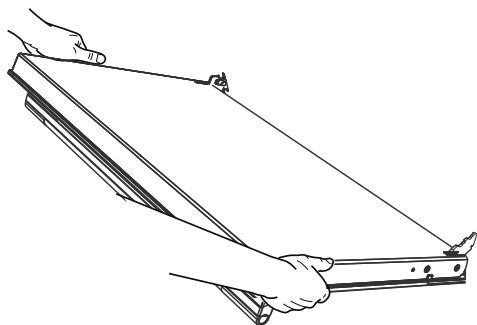
- ⑥ Re-tighten the screws so that the latches and the lower trim are firmly secured.



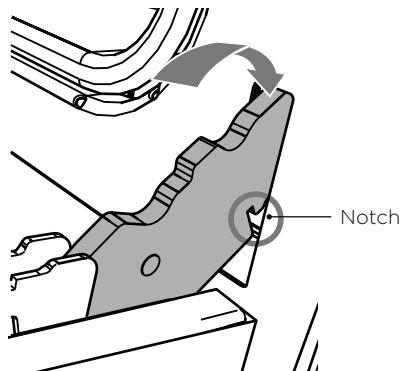
- ⑦ Replace the door following the instructions in the following section.

## CARE AND CLEANING

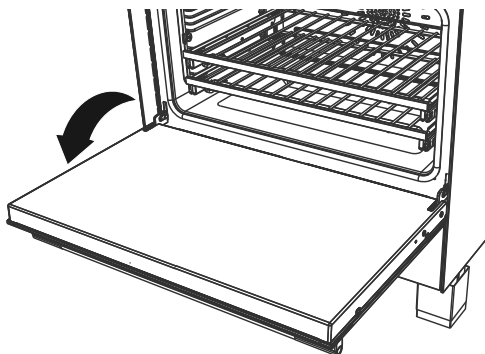
### To replace the oven door



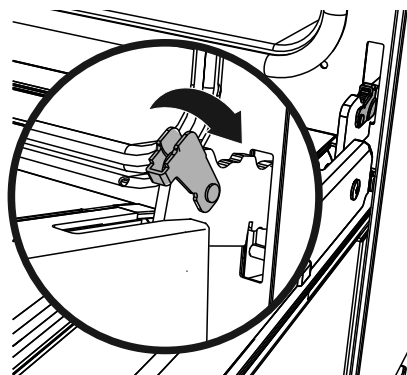
- ① Hold the door firmly in an approximately halfway open position.



- ② Insert the hinge tongues into the slots, making sure that the notches on both sides drop into place as shown.



- ③ Open the door fully.



- ④ Fully close the levers on the left and right hinges, as shown, then close the door.

## CARE AND CLEANING

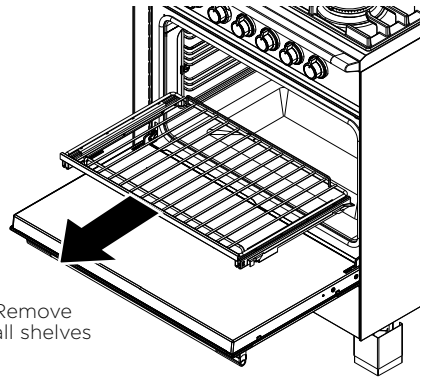
### Removing and replacing the oven side racks

#### **IMPORTANT!**

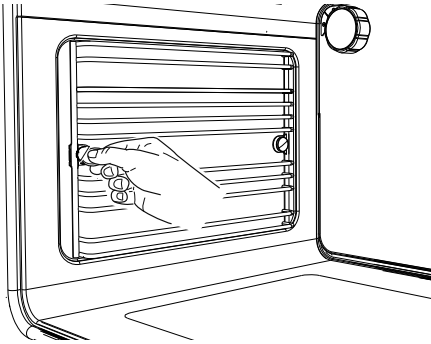
Always turn off the cooker at the wall first.  
Ensure the oven has cooled down completely before starting.

#### Remove all shelves

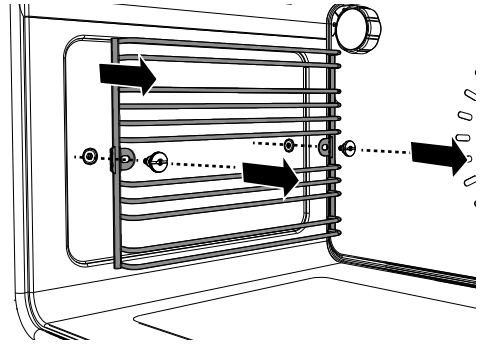
- ① Slide out all shelves and remove.  
For easier access we recommend removing the oven door, see 'Removing and replacing the oven door'.



#### To remove the side racks

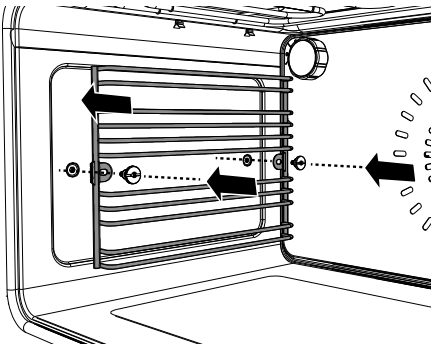


- ② Use a small coin or a flat-head screwdriver to loosen and remove the fixing screws.

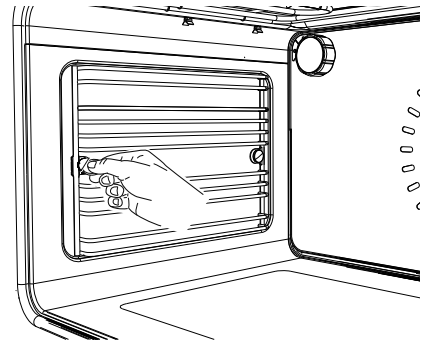


- ③ Remove the side racks

#### To replace the side racks



- ① Make sure the side racks are the right way up, as shown.



- ② Refit the fixing screws and tighten.



## CARE AND CLEANING

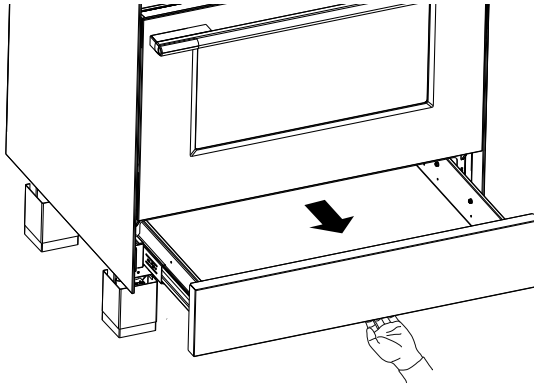
### Removing and replacing the storage drawer (some models only)

#### **IMPORTANT!**

- Do not remove the drawer while the oven is in operation.
- Do not remove the drawer while the oven is hot.
- Ensure the drawer is completely empty before removing it.
- Always position your hand at the bottom of the drawer to open and close it.

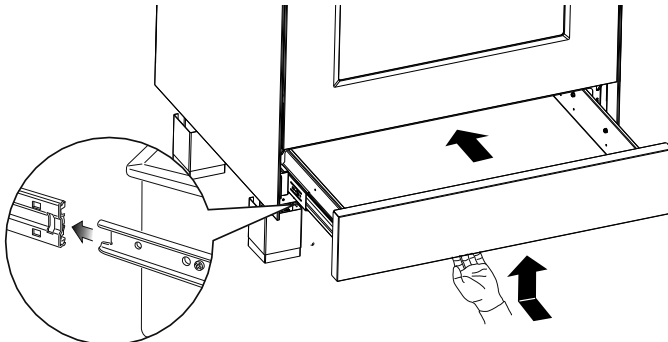
#### To remove the storage drawer

- ① Open the drawer completely.
- ② Open the levers fully on both sides and hold in place:
  - On the left side push the lever down
  - On the right side push the lever up
- ③ Remove the drawer while holding the levers in position.



#### Fitting the storage drawer

- ① Insert the drawer guides onto the sliding runners on either side of the cooker interior.
- Make sure they are correctly lined up on both sides of the drawer.
- ② Gently close the drawer completely. The safety catches will automatically hook into place.



## CARE AND CLEANING

### Burner parts

- You can remove and clean these parts with hot soapy water or non-abrasive detergents. Clean spills regularly before they become burnt on. Do not wash these parts in a dishwasher.
- After cleaning, check that the burners and their flame spreaders are dry before replacing correctly.
- It is very important to check that the burner flame spreader and the cap have been correctly positioned. Failure to do so can cause serious problems.
- Check that the ignitor is always clean to ensure trouble free sparking. It must be cleaned very carefully using a toothbrush and methylated spirits.
- Note: to avoid damage to the electronic ignition, do not try to light a burner without all burner parts in place.

### Replacing the burner parts

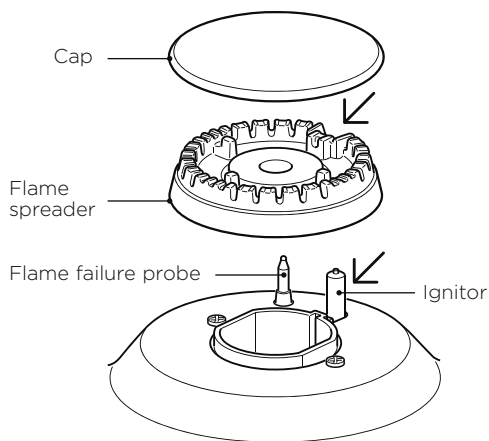
- Carefully replace the burner parts as per the following illustrations.
- Fit the flame spreader to the housing as shown below. Make sure the burner is not able to rotate.

#### Check that:

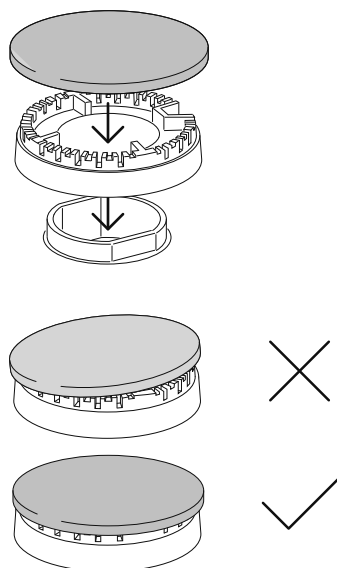
- The ignitor is always clean to ensure trouble-free sparking.
- The probe is always clean to ensure correct operation of the safety valves.
- The flame spreaders are clean and the holes are not clogged.
- Note: both the ignitor and probe must be very carefully cleaned using a toothbrush and methylated spirits.

### Replacing the semi-rapid burners

#### Correct positioning of burner parts



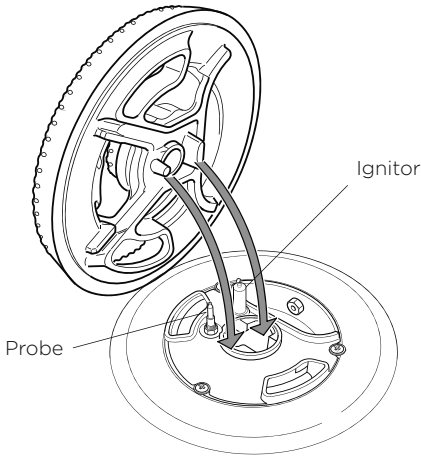
#### Replacing the semi-rapid burner caps



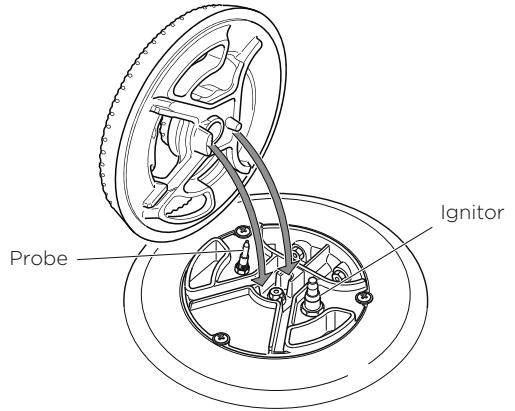
## CARE AND CLEANING

### Replacing the triple-ring wok and dual burners

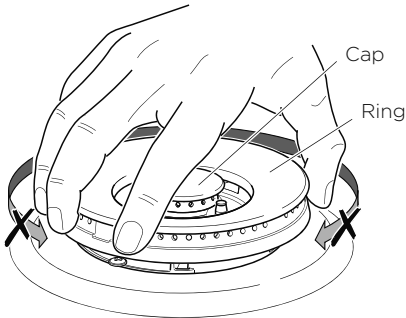
Correct positioning of  
flame spreader - triple-ring wok burner



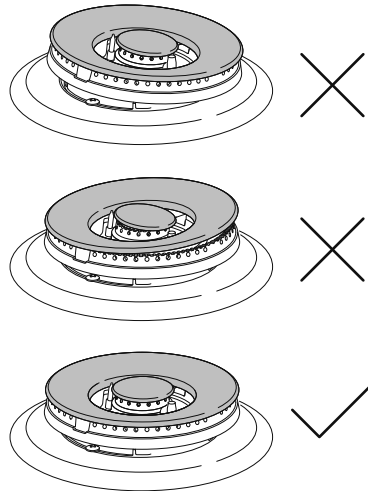
Correct positioning of  
flame spreader - dual burner



Correct positioning of  
cap and ring - triple-ring wok and  
dual burner



Incorrect and correct positioning of  
cap and ring - triple-ring wok and  
dual burner



## CARE AND CLEANING

### Replacing an oven light bulb

#### **IMPORTANT!**

Use a 25W, 220-240V 50Hz G9 halogen bulb for replacement.

Do not use a standard light bulb in any oven, the heat will break it.

- ① Allow the oven (including the lamp cover and the bulb) to cool completely.
- ② Remove any shelves that may get in the way.
- ③ Remove the door if the lamp will be hard to reach.
- ④ Turn the power supply to the cooker off at the main fuse or circuit breaker panel.  
If you don't know how to do this, contact an electrician.

#### **IMPORTANT!**

Failure to disconnect the cooker from the power supply may result in death or electrical shock.

- ⑤ Remove the lamp cover.
  - Upper lights: wearing a rubber glove to improve grip turn the cover counter-clockwise to unscrew.
  - Side lights: wearing a rubber glove to improve grip, hold the cover and prise out using finger nails on other hand. If this does not work place a thin plastic spatula between the cover and cavity wall and gently twist to prise the cover off. Take care not to chip the glass covers or to damage the enamel finish inside the oven.
- ⑥ Remove the faulty bulb.
- ⑦ Holding the replacement bulb in a soft cloth or tissue insert it into the socket. Do not touch the bulb with your fingers.
- ⑧ Replace the lamp cover.
  - Upper lights: turn the cover clockwise to tighten and then back a quarter turn
- ⑨ Turn the power supply to the cooker back on at the main fuse or circuit breaker panel.



## TROUBLESHOOTING

If there is a problem, check the chart below to see if you can fix it. If the problem cannot be fixed or persists, call your Authorized Repairer or Customer Care.

### General

PROBLEM	POSSIBLE CAUSES	WHAT TO DO
The oven does not work.	No power.	Check that the mains power supply (wall switch) is turned on, the fuse has not tripped and there is no power outage in your area.
	The clock has not been set	The oven will not work unless the clock is set. See 'Setting the clock'.
The oven does not work but the display is lit.	The oven is set for automatic cooking.	See 'Auto Cook' for instructions.
	The oven is in Demo Mode	Contact Customer Care
One or all of the lights do not come on, but the oven works.	The oven light bulb(s) have blown.	Replace the light bulb(s). See 'Care and cleaning' for instructions.
	The door is not correctly fitted.	See 'Care and cleaning' for instructions on fitting the door correctly.
	The oven is in Sabbath Mode and the 'Light off' option has been saved.	To quit Sabbath Mode, touch and hold the cancel X control. See 'User preference settings' for instructions on changing the 'Light off' option.
There is a power failure - can I still use the oven?	Power outage in your home or neighborhood.	In the event of power failure while cooking, return the oven dials in off position (O) to prevent overheating of the appliance. The oven cannot be used until power is restored.
The temperature indicator is blank and the oven control dials are unresponsive.	The control panel is locked.	See 'Locking the oven controls' for instructions.
The oven is not heating.	The door is not properly closed or it is opened too frequently during cooking.	The heating elements are disabled while the door is open. Make sure the door is properly closed and avoid opening it frequently during cooking.
A glass pane in the oven door has cracked, chipped, or shattered.	Incorrect cleaning or the edge of the glass hitting against something.	You must <b>NOT</b> use the oven. Call your Authorised Repairer or Customer Care.


## TROUBLESHOOTING

### General

PROBLEM	POSSIBLE CAUSES	WHAT TO DO
I can feel hot air blowing out of the vents after I have turned the oven off.	This is normal.	For safety reasons the cooling fans will continue to run even when you have turned the function dial to 'OFF'. The fans will switch off automatically when the oven has cooled.
The oven fan comes on when I select a function that does not use a fan (eg bake).	This is normal. The fan comes on while the oven is preheating. It may turn off when the oven has reached the set temperature.	Wait until a long tone sounds and the temperature dial halo turns white: the oven will then be ready to use.
The oven has reached the set temperature but the temperature indicator is still red (indicating that the oven is not ready to use).	This is normal: when heating up from cold, your oven is designed to initially heat to a temperature somewhat higher than what you have set. This is to provide optimal baking conditions right from the start.	Wait until a long tone sounds and the temperature dial halo turns white: the oven will then be ready to use.
The oven is heating but the display is dark.	The oven is set to 'Display off' option.	To quit the 'Display off' option, touch and hold the cancel X control until the display shows the time of day.
	The oven is in Sabbath Mode.	To quit Sabbath Mode, touch and hold the cancel X control until the display shows the time of day.
The oven cancels automatic cooking when I try to adjust the clock setting.	The oven was set for automatic cooking when you were trying to adjust the clock setting.	You can only adjust the clock setting while the oven is not set for automatic cooking.
The temperature dial halo never turns white when I use Grill  .	This is normal: the halo stays red to indicate that the grill element provides instant radiant heat.	
The displays work, and the function and temperature dials halos come on but the oven does not heat up.	The oven is in 'Demo' mode.	Call Customer Care.

## TROUBLESHOOTING

### Oven

PROBLEM	POSSIBLE CAUSES	WHAT TO DO
Condensation around oven (eg on control panel or top of oven door).	Food has high moisture content or local climate (temperature, humidity) is contributing to condensation.	Condensation is normal. You can wipe the drops off the control panel. If there is frequent or excessive condensation, make sure that cabinetry around the cooker is moisture-proofed.
Condensation building up in the oven while cooking on Grill  .	Food in your oven releasing moisture as it cooks.	Allow the grill element to preheat for 5 minutes before placing food in the oven or try cooking on Fan grill instead.
Uneven baking.	Oven not properly preheated.	Wait until the halo around the temperature dial has changed from white to orange before putting food in.
	Unsuitable or incorrectly arranged bakeware.	See 'Cooking guide' for advice.

### Cooktop burners

PROBLEM	POSSIBLE CAUSES	WHAT TO DO
None of the burners, grill, or griddle will light.	No power supply.	Check that there is no power outage in your area and that the power supply to the cooker is switched on at the circuit breaker panel.
	No gas.	Check that the gas supply to the house is working. You should hear the gas when you turn a burner on. If you are using bottled gas, check that it is not empty.
The ignitor keeps clicking (continuous spark) even when a burner has lit.	Dirty or wet ignitor(s).	Clean the ignitor(s). See 'Care and cleaning' for instructions.
Some burners will not light. Flames do not burn all around the burner cap.	Burner parts or ignitors may be wet, dirty, or misaligned.	Check that the burner parts are clean, dry, and correctly assembled. Check that the ignitors are clean and dry. See 'Care and cleaning' for instructions.
There is no clicking when I try to light a burner.	The ignitor is dirty or there is a power outage.	Clean the ignitor(s). See 'Care and cleaning' for instructions.

## TROUBLESHOOTING

### Cooktop burners

PROBLEM	POSSIBLE CAUSES	WHAT TO DO
There is a power failure - can I still use the cooktop burners?	Power outage in your area.	The cooktop burners can still be used. To light them: ① Holding a lighted match to the flame spreader, push in on the control dial and turn anticlockwise to LITE. ② When the flame is burning all the way around the burner, you may adjust the heat.
		<b>IMPORTANT!</b> <b>If the flame is blown out during a power failure, turn the dial immediately to O (OFF), as the burner will not automatically relight and gas may escape.</b>
The flames have suddenly gone out.	A draft or a spill has extinguished the flame.	No action required. The burner will detect this and automatically relight. However, if there has been a large spill, we recommend turning the burners off and cleaning the burners and sump area. See 'Care and cleaning' for instructions.
There is a slight 'extinction pop' or flash after I've turned a cooktop burner off.		This is normal for LP gas and requires no action.
The burner flames are uneven, very large, yellow or yellow-tipped or sooty.	Technical fault: the gas is the wrong type or hasn't been adjusted properly.	Do not use your cooktop burners. Contact your Authorised Service Center or Customer Care.



## ALERT CODES

---

**If there is a problem with the oven, the cooker will:**

- automatically suspend all oven functions
- beep five times
- display an alert code.

### **IMPORTANT!**

**Do not turn off the mains power supply to the cooker (wall switch) if you get an alert code, unless the instructions in the chart following specifically instruct you to. There are cooling fans within the cooker which are needed to cool the cooker components. Turning off the power while the cooker is too hot may damage the cooker and its surrounding cabinetry.**

### **What to do if an alert code is displayed**

- ① If the beeping hasn't stopped already, touch any control to stop it.
- ② Make a note of the alert code displayed. You may need this information.
- ③ Check the chart following to see if you can fix the problem yourself and follow the instructions.
- ④ If you can fix the problem and the alert code does not reappear, you can keep using your oven.

OR

**If you can't fix the problem yourself** or the alert code reappears and the problem persists: wait until the cooling fans have stopped and the oven has completely cooled down, then turn the power to the cooker off at the wall and call your Authorised Repairer or Customer Care with the alert code information.

ALERT CODE	POSSIBLE CAUSES	WHAT TO DO
<b>A1</b>	The oven has overheated.	<ol style="list-style-type: none"><li>① Allow the oven to cool down.</li><li>② Once the oven has cooled down and the door has unlocked, the alert code will disappear. You can now use the oven again.</li></ol>
<b>F</b> + number	Technical fault.	<ol style="list-style-type: none"><li>① Note down the alert code.</li><li>② Wait until the cooling fans have stopped and the oven has completely cooled down.</li><li>③ Turn the power to the oven off at the wall.</li><li>④ Call your Authorised Repairer or Customer Care with the alert code information.</li></ol>

---

## WARRANTY AND SERVICE

---

### Before you call for service or assistance

Check the things you can do yourself. Refer to the installation instructions and your user guide and check that:

- ① Your product is correctly installed.
- ② You are familiar with its normal operation.

If after checking these points you still need assistance or parts, please refer to the Service & Warranty book for warranty details and your nearest Authorised Service Center, Customer Care, or contact us through our website [www.fisherpaykel.com](http://www.fisherpaykel.com).

### Complete and keep for safe reference:

Model \_\_\_\_\_

Serial No. \_\_\_\_\_

Purchase Date \_\_\_\_\_

Purchaser \_\_\_\_\_

Dealer \_\_\_\_\_

Suburb \_\_\_\_\_

Town \_\_\_\_\_

Country \_\_\_\_\_

## WARRANTY AND SERVICE

---

This oven has been designed and constructed in accordance with the following codes and specifications:

### In New Zealand and Australia

- AS/NZS 60335-1 General Requirements for Domestic electrical appliances
- AS/NZS 60335-2-6 Particular Requirements for Domestic electrical cooking appliances
- AS/NZS CISPR 14.1 2010 Electromagnetic Compatibility Requirements.


### In Europe

- Safety requirements of EEC Directive “Low voltage” 2006/95:  
EN 60335-1 General Requirements for Domestic electrical appliances  
EN 60335-2-6 Particular Requirements for Domestic electrical cooking appliances
- Safety requirements of EEC Directive “EMC” 2014/30/EU:  
EN 55014-1, EN 55014-2, EN 61000-3-2, EN 61000-3-3 Electromagnetic Compatibility Requirements
- Safety requirements of the “Gas” Directive 2009/142/EC (until the 20/04/2018) OR Regulation (EU) 2016/426 (starting from the 21/04/2018).

### Requirements of EEC Directive 93/68.

European directive 2012/19/EC on Waste Electrical and Electronic Equipment (WEEE) (for European Union countries only)

GB This appliance is marked according to the European directive 2012/19/EC on Waste Electrical and Electronic Equipment (WEEE). By ensuring this product is disposed of correctly, you will help prevent potential negative consequences for the environment and human health, which could otherwise be caused by inappropriate waste handling of this product.

The symbol  on the product, or on the documents accompanying the product, indicates that this appliance may not be treated as household waste. Instead it shall be handed over to the applicable collection point for the recycling of electrical and electronic equipment. Disposal must be carried out in accordance with local environmental regulations for waste disposal. For more detailed information about treatment, recovery and recycling of this product, please contact your local city office, your household waste disposal service or the shop where you purchased the product.

## ENERGY GUIDELINES (GB IE ONLY)

SPECIFICATIONS	OR90SCG4B1	OR90SDG4X1
WEIGHT (KG)	123	123
NUMBER OF OVEN CAVITIES	1	1
CAVITY VOLUME (LITRES)	120	120
<b>ENERGY CONSUMPTION* (KWH/CYCLE)</b>		
Conventional	1.46	1.46
Slow Cook	1.00	1.00
<b>ENERGY INDEX</b>		
Conventional	138.4	138.4
Slow Cook	95.5	95.5
<b>STANDBY POWER (WATTS)</b>		
Standard	< 1	< 1
Networked	< 2	< 2
<b>TIME TO STANDBY (SECONDS)</b>		
Standard	20	20
Networked	20	20

\*Energy consumption for electric cooking appliances are calculated using the following Standard: BS EN 60350 Part 1- Ranges, ovens, steam ovens and grills - Methods for measuring performance.

## ENERGY GUIDELINES (GB IE ONLY)

---


### **Reducing the environmental impact - Electric**

Reducing energy consumption will reduce the impact of cooking on the environment. The following tips can help you to reduce your energy consumption:

- Do not preheat the oven too early. Aim to have the oven hot at the same time as the food is ready to be placed in it.
- Maximise the use of your preheated oven – cook or bake in batches.
- Minimise the number of times you open the oven door during cooking (to reduce heat loss).
- Cook multiple dishes at the same time.
- Use the residual heat in the oven to finish the cooking process (turn the oven off a few minutes before the cooking time is up).
- Use ceramic or glass cooking dishes which may reduce the cooking time or allow you to reduce the oven temperature.
- Use fan functions wherever possible. These functions may allow you to reduce cooking times and/or temperatures. Fan forced functions will allow you to bake on multiple shelves at the same time.
- Replace oven seals if they become damaged. A damaged seal will decrease the efficiency of your oven.
- Cutting food into smaller pieces will reduce cooking time.
- Do not use the oven to defrost food.

## ENERGY GUIDELINES (GB IE ONLY)

### OR90SDG4X1, OR90SDG4B1

	Symbol Simbolo Symbole Symbol Symbol	Value Valore Valeur Waert Waarde	Unit Unità di misura Unité Einheit Eenheid
L1		Free standing <b>Libera installazione</b> Pose libre <b>Freistehenden</b> Vrijstaande	/
L2		5	/
L3	EE <sub>gas burner</sub> EE <sub>gas burner</sub> EE <sub>brûleur à gaz</sub> EE <sub>gas burner</sub> EE <sub>gasbrander</sub>	1) 60,5 % 2) 55,8 % 3) 53,5 % 4) 60,5 % 5) 55,8 %	/
L4	EE <sub>gas hob</sub> EE <sub>gas hob</sub> EE <sub>plaque de cuisson au gaz</sub> EE <sub>gas hob</sub> EE <sub>gaskookplaat</sub>	57,2 %	/
L1	Type of hob <b>Tipologia di piano cottura</b> Type de plaque <b>Art der Kochmulde</b> Type kookplaat		
L2	Number of gas burners <b>Numero di bruciatori a gas</b> Nombre de brûleurs à gaz <b>Anzahl der Gasbrenner</b> Aantal gasbranders		
L3	Energy efficiency per gas burner <b>Efficienza energetica per ciascun bruciatore a gas</b> Efficacité énergétique par brûleur à gaz <b>Energieeffizienz je Gasbrenner</b> Energie-efficiëntie per gasbrander		
L4	Energy efficiency for the gas hob <b>Efficienza energetica per il piano cottura a gas</b> Efficacité énergétique de la plaque de cuisson au gaz <b>Energieeffizienz der Gaskochmulde</b> Energie-efficiëntie van de gaskookplaat		

\*Energy consumption for gas cooking appliances are calculated using the following Standard:  
BS EN 30-2-1-Rational use of energy -Domestic cooking appliances burning gas.

### **Reducing the environmental impact - Gas**

Reducing energy consumption will reduce the impact of cooking on the environment. The following tips can help you to reduce your energy consumption:

- Thawing frozen food in the refrigerator first
- Using a moderate setting to conserve gas
- Having your burners adjusted by a qualified technician if the flame is yellow
- Ensuring burner parts are clean and dry, as clogged ports will reduce efficiency.
- Using the correct sized pot
- Adjusting the flame correctly - the flame should not extend beyond the edge of the pot
- Using a pressure cooker
- Cutting food into smaller pieces - this will reduce cooking time
- Use a steamer or a pan with a divider to cook different vegetables at the same time
- Using a cover when boiling water to reduce the time it takes to get to the boil
- Simmering liquid cooked foods instead of boiling vigorously
- Keeping pot lids on to reduce heat loss

**FISHERPAYKEL.COM**

© Fisher & Paykel Appliances 2019. All rights reserved.

The product specifications in this document apply to the specific products and models described at the date of issue. Under our policy of continuous product improvement, these specifications may change at any time. You should therefore check with your Dealer to ensure this booklet correctly describes the product currently available.

**NZ AU GB IE**

**591512C 06.19**