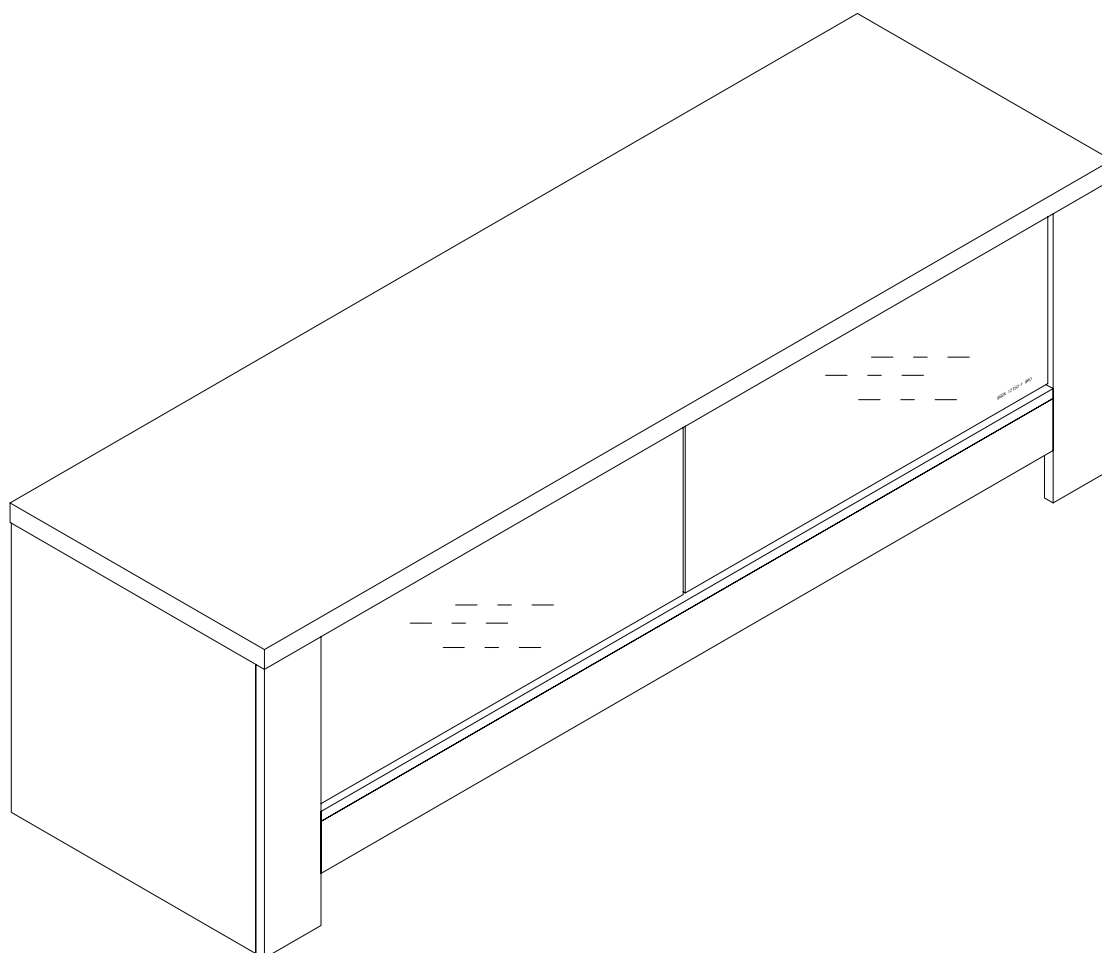


Radium

ADRA 1200 / 1500

alphason

Q16059-AI_r0



PLACE LABEL
Q14175-SK
HERE



0845 130 6686



customer.services@armourhome.co.uk



www.armourhome.co.uk



Armour Home Electronics, Units 7 & 8, Stortford Hall Industrial Park,
Dunmow Road, Bishops Stortford, Hertfordshire, UK, CM23 5GZ

Radium

ADRA 1200 / 1500

alphason

Thank you for purchasing this Radium TV Cabinet. Please inspect all parts prior to assembly and contact us if there are any damaged or missing components. This must be done before attempting assembly.

Pre-assembly preparation

Please check the pack contents before attempting to assemble this product. A full checklist of components is given in this leaflet. If any components are missing, please contact the retailer from whom you bought this product.

This product is **HEAVY**, it should be assembled as near as possible to the point of use. **TAKE CARE WHEN LIFTING** to avoid personal injury and (or) damage to the product.

This product takes approximately 40 MINUTES to assemble with 2 PERSON.

The fittings pack contains **SMALL ITEMS** which should be **KEPT AWAY FROM YOUNG CHILDREN**.

Read this leaflet in full before commencing assembly to ensure safe and satisfactory operation of this product.

Safety Instructions

Never drag furniture when moving it, always lift it.

Periodically check all fixings to ensure none have come loose and re-tighten where necessary.

Please take care when handling or moving the furniture as careless handling may cause damage or injury.

Furniture can be dangerous if incorrectly installed. Assembly should be carried out by a competent person. No liability will be accepted for damage or injury caused by incorrectly installed or assembled furniture.

It is recommended that before moving heavy objects to a new location they are completely dis-assembled to avoid personal injury or damage to the furniture. Please be careful to retain all fittings when doing this.

Care Instructions

Do not place hot or cold items against or in close proximity to any surface on this product

When cleaning glass or high gloss panels use a damp cloth or leather with washing up liquid or soft soap if necessary; do not use washing powders or other substances containing abrasives as these may scratch the glass. Dry with a soft cloth.

In order to maintain a high quality finish, when cleaning metal, painted or wooden parts please use a soft cloth with a suitable furniture polish if required.

WARNING :

Do not sit or stand on this product.

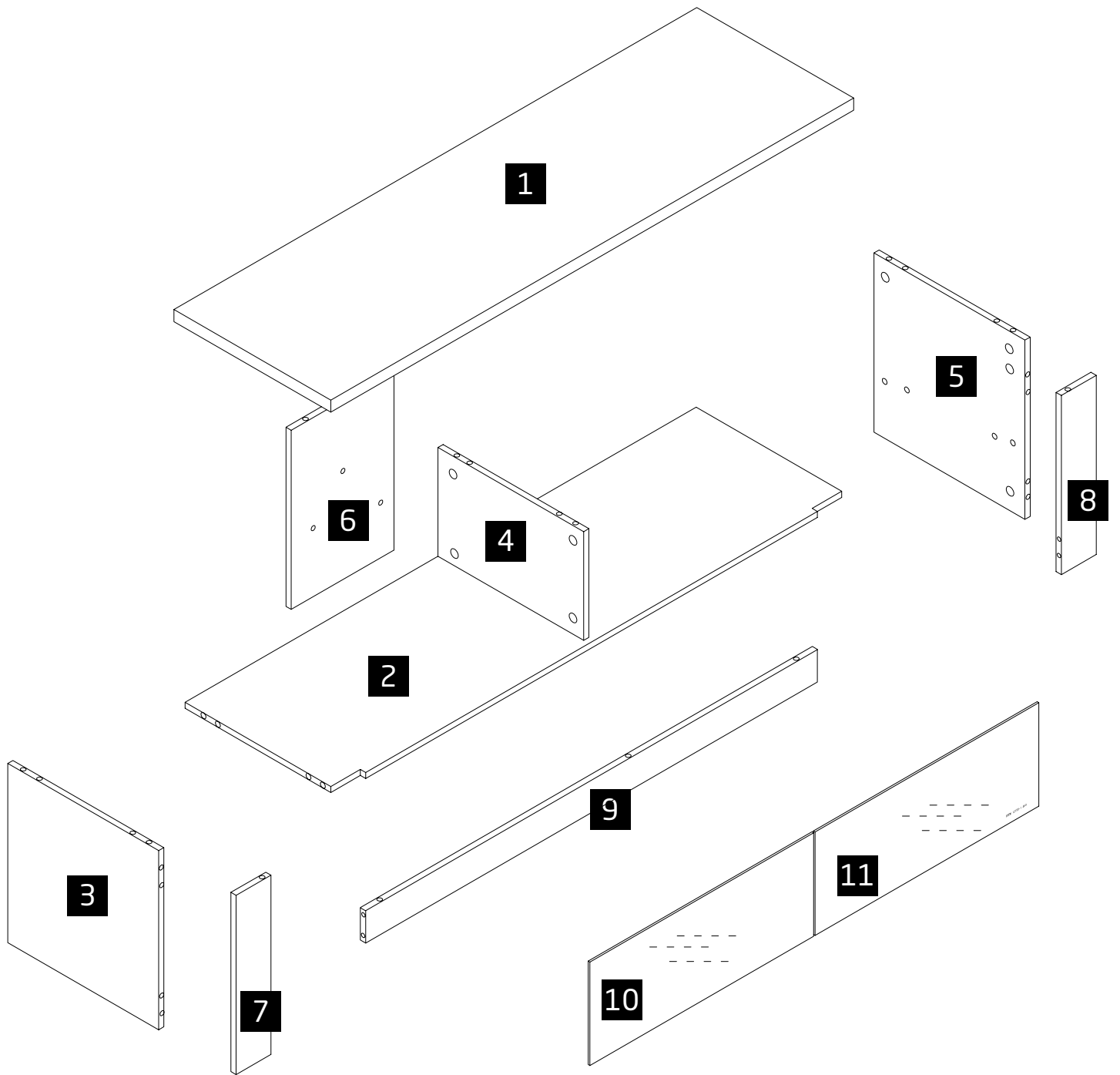
Do not attempt to move this product whilst loaded with equipment.

DO NOT OVERTIGHTEN ANY PART OF THIS ASSEMBLY

Please Note: Total maximum load for unit should not exceed 60Kg. This product must be assembled in accordance with these assembly instructions. Maximum load for top shelf is 50kg.

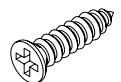
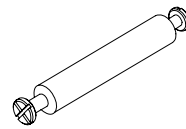
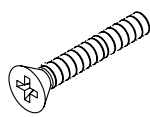
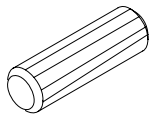
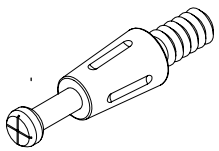
PLEASE KEEP THESE INSTRUCTIONS FOR FUTURE REFERENCE

ARMOUR HOME ACCEPTS NO LIABILITY FOR ANY DAMAGE CAUSED THROUGH INCORRECT OR INAPPROPRIATE USE OF THIS PRODUCT.



M7 x 38mm

M3 x 15mm



A

x21

B

x25

C

x20

D

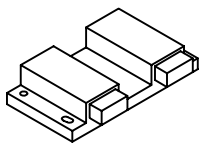
x3

E

x2

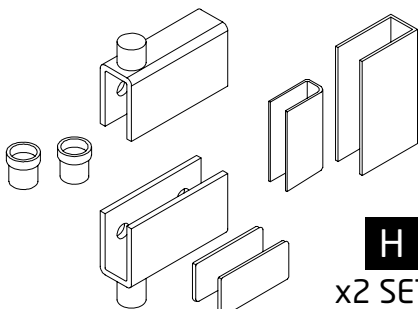
F

x4



G

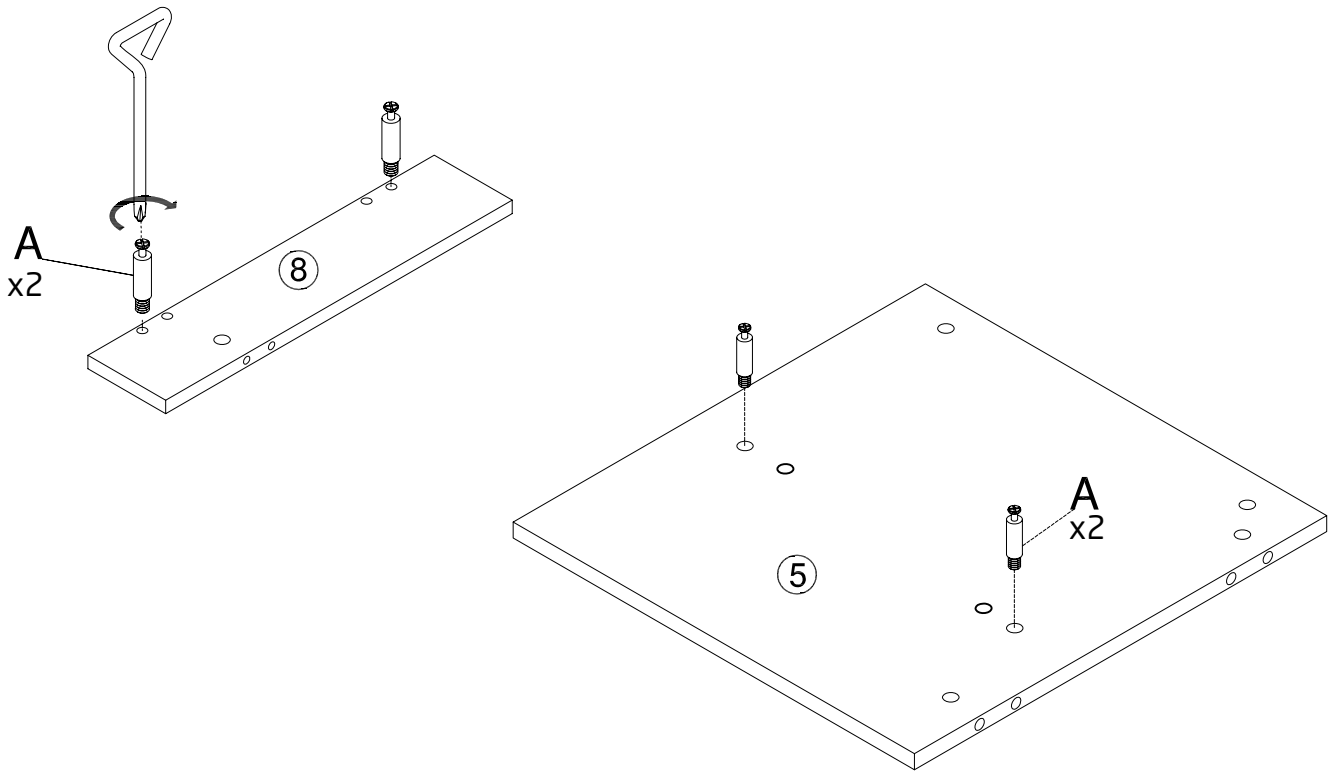
x1



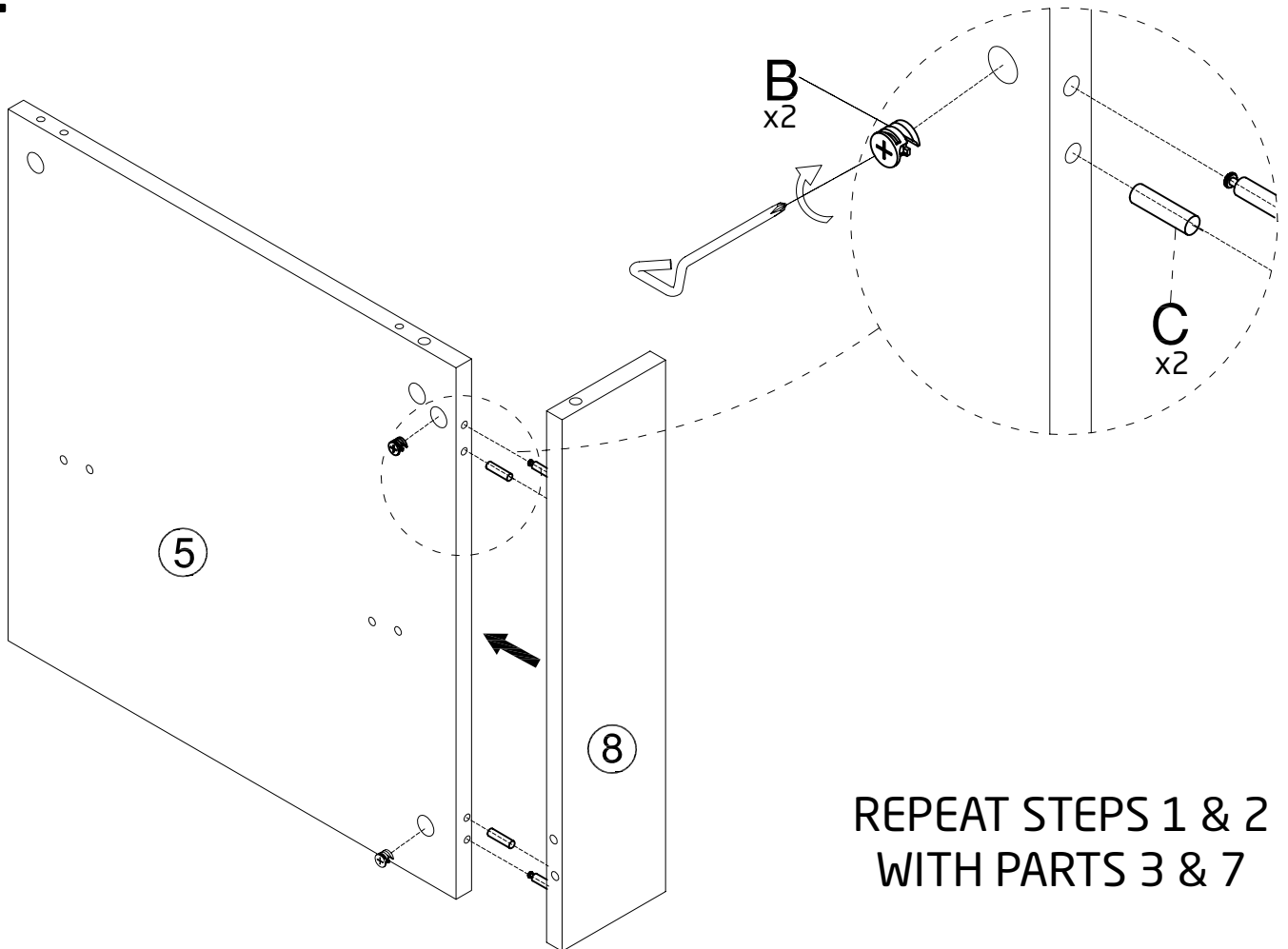
H

x2 SETS

1

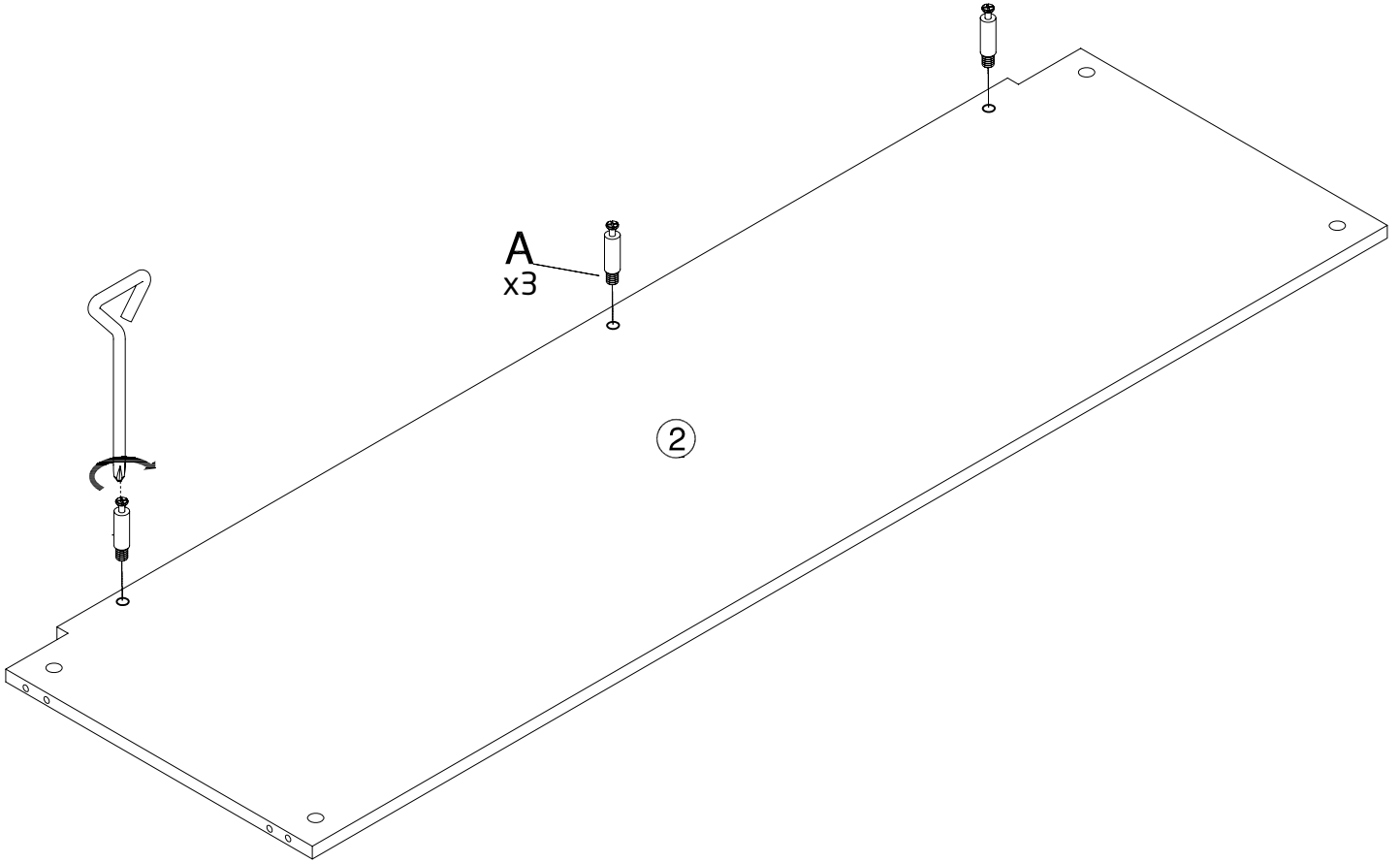


2

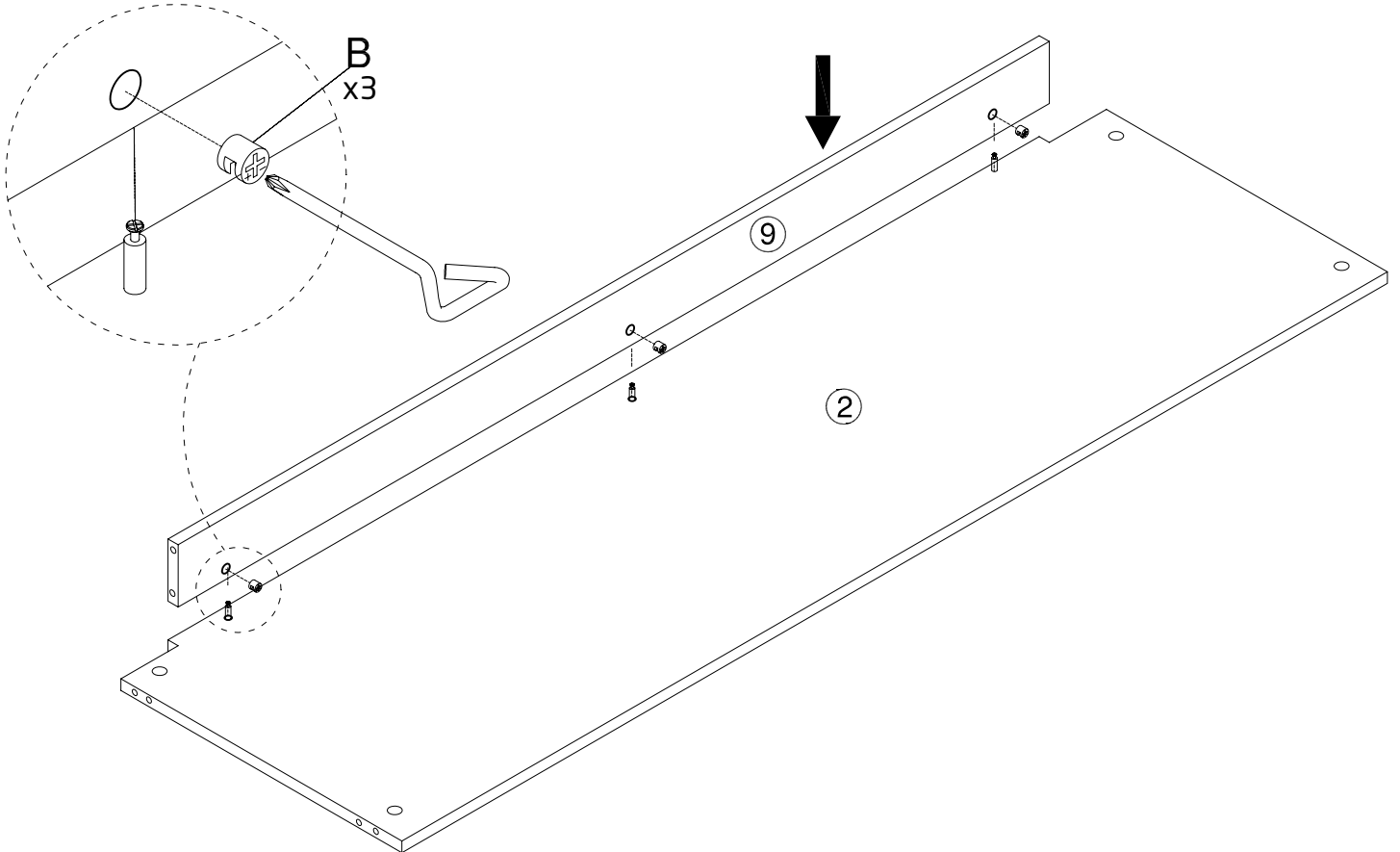


REPEAT STEPS 1 & 2
WITH PARTS 3 & 7

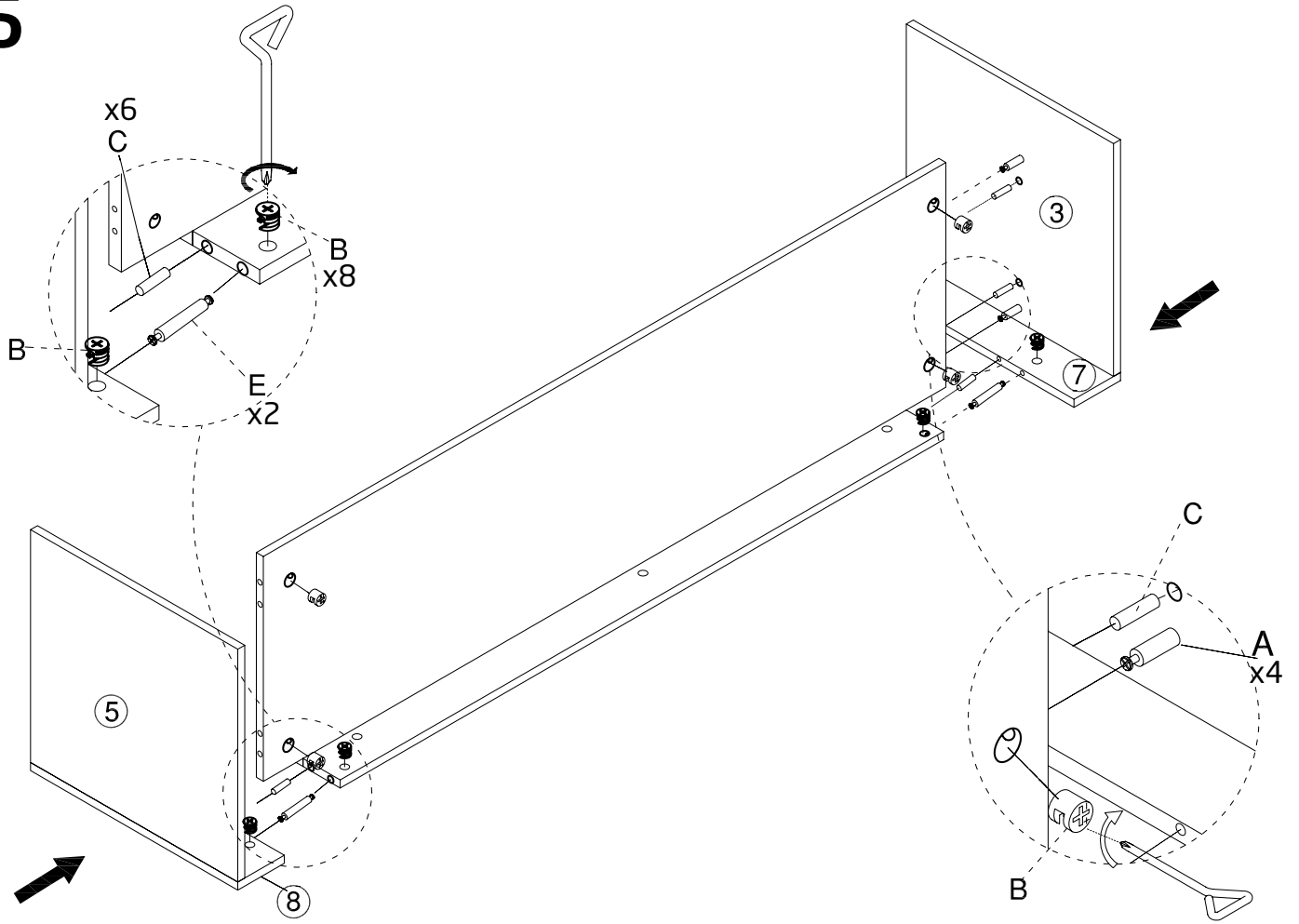
3



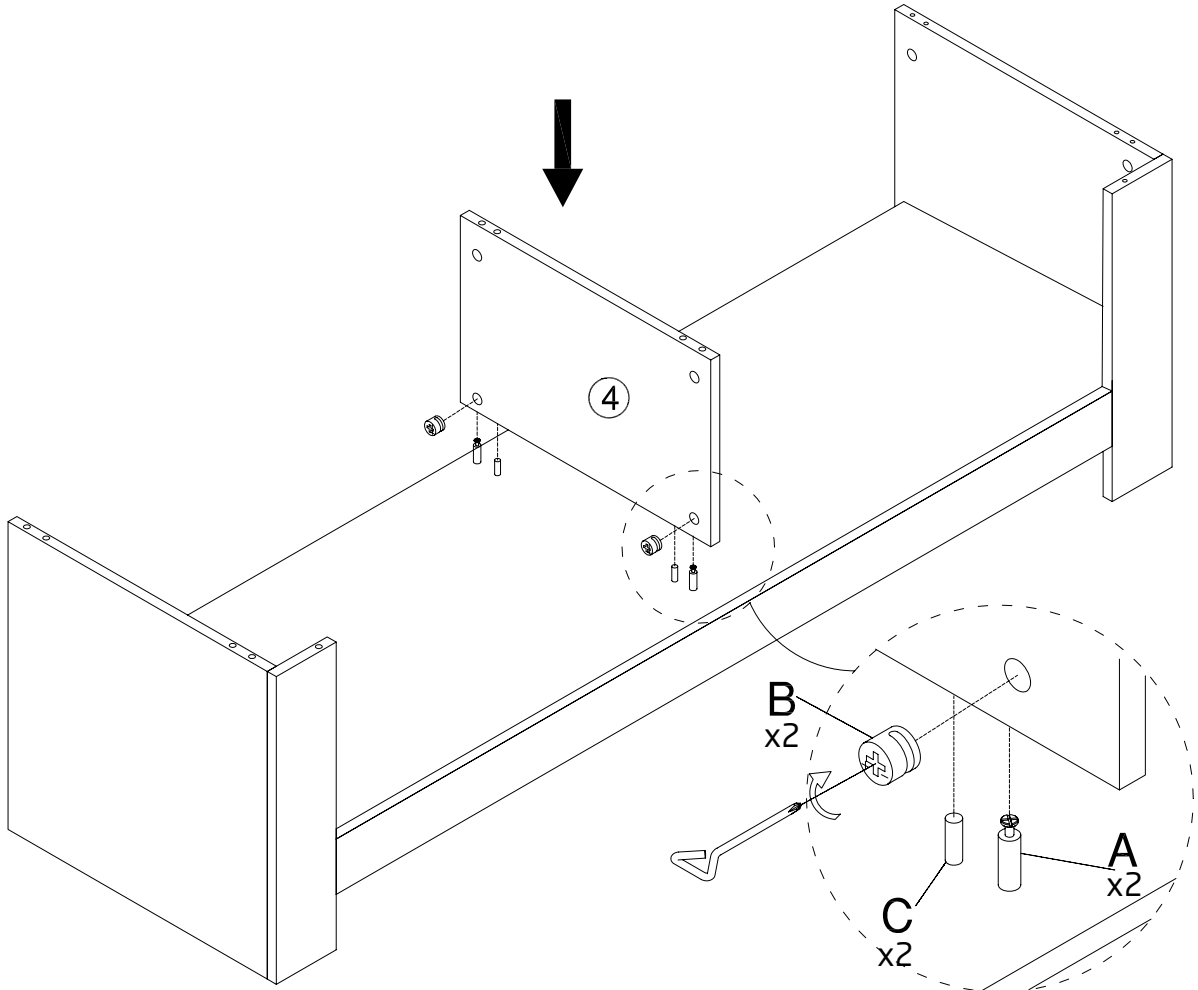
4



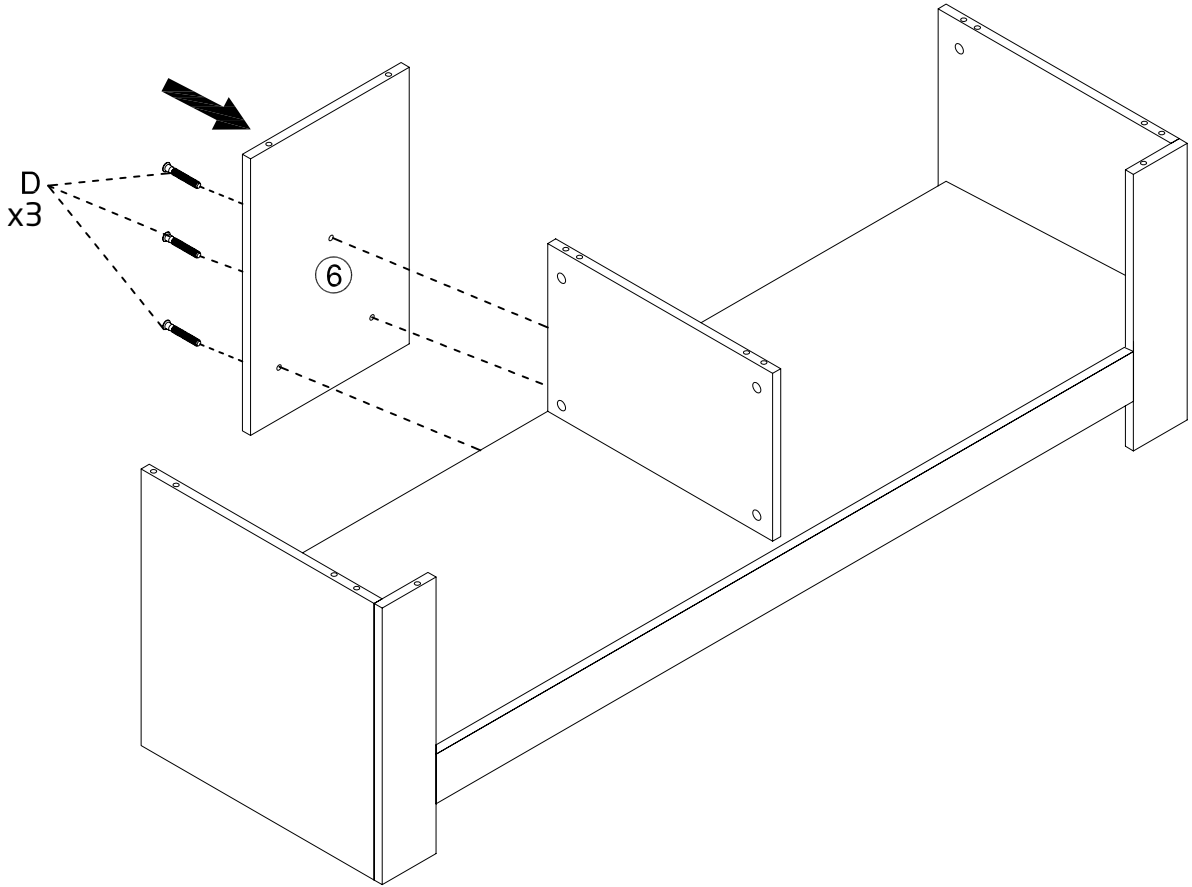
5



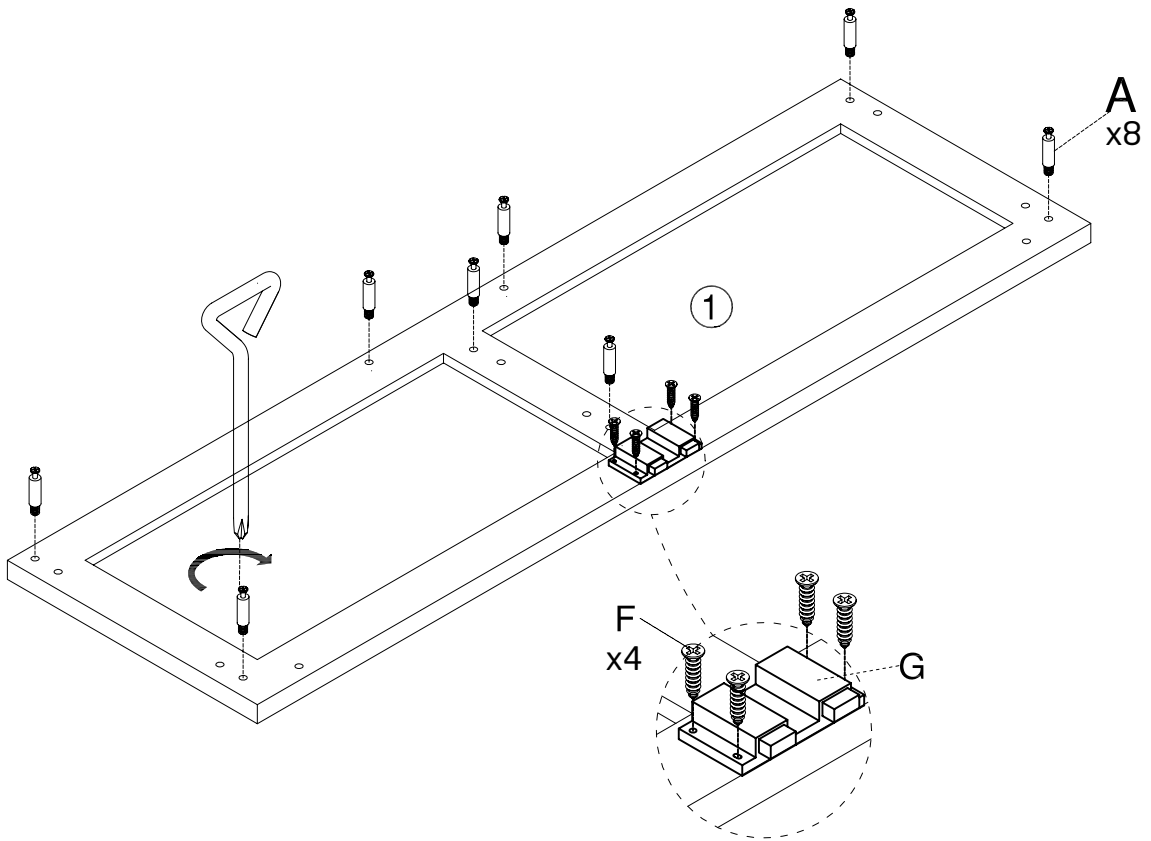
6



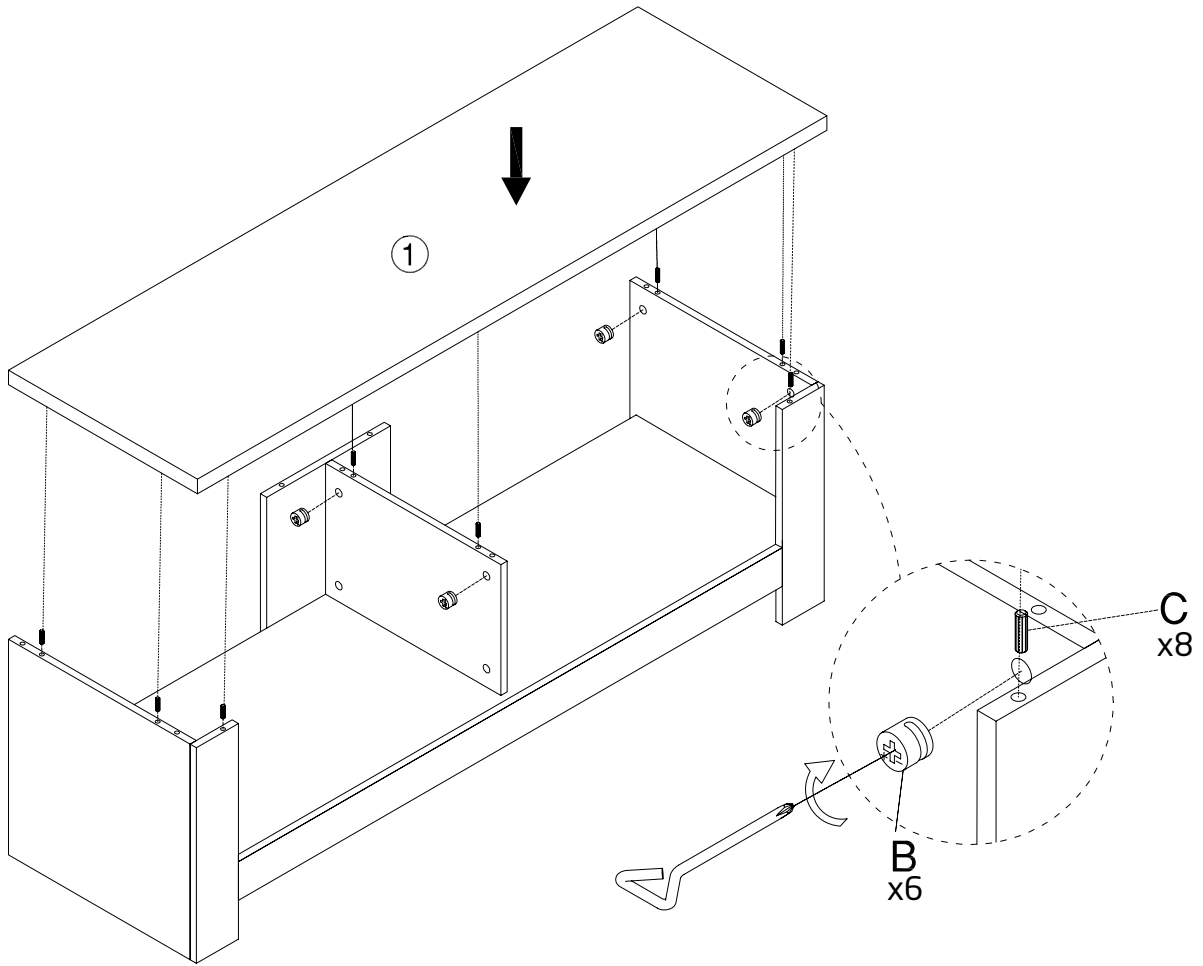
7



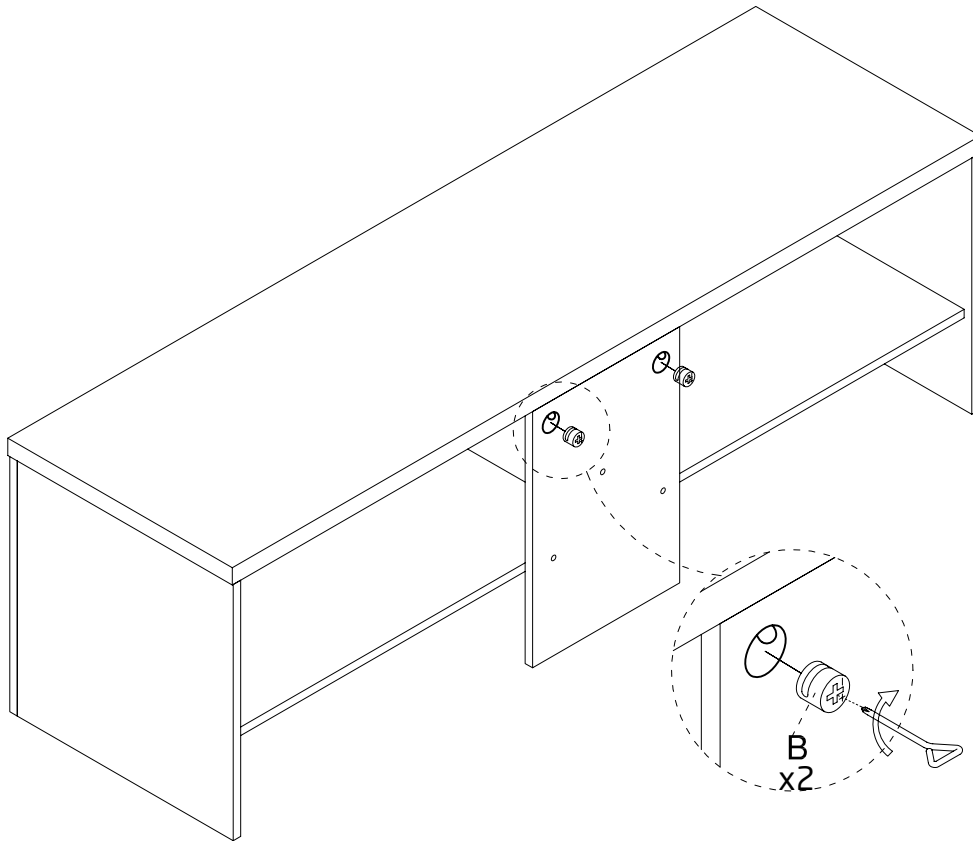
8



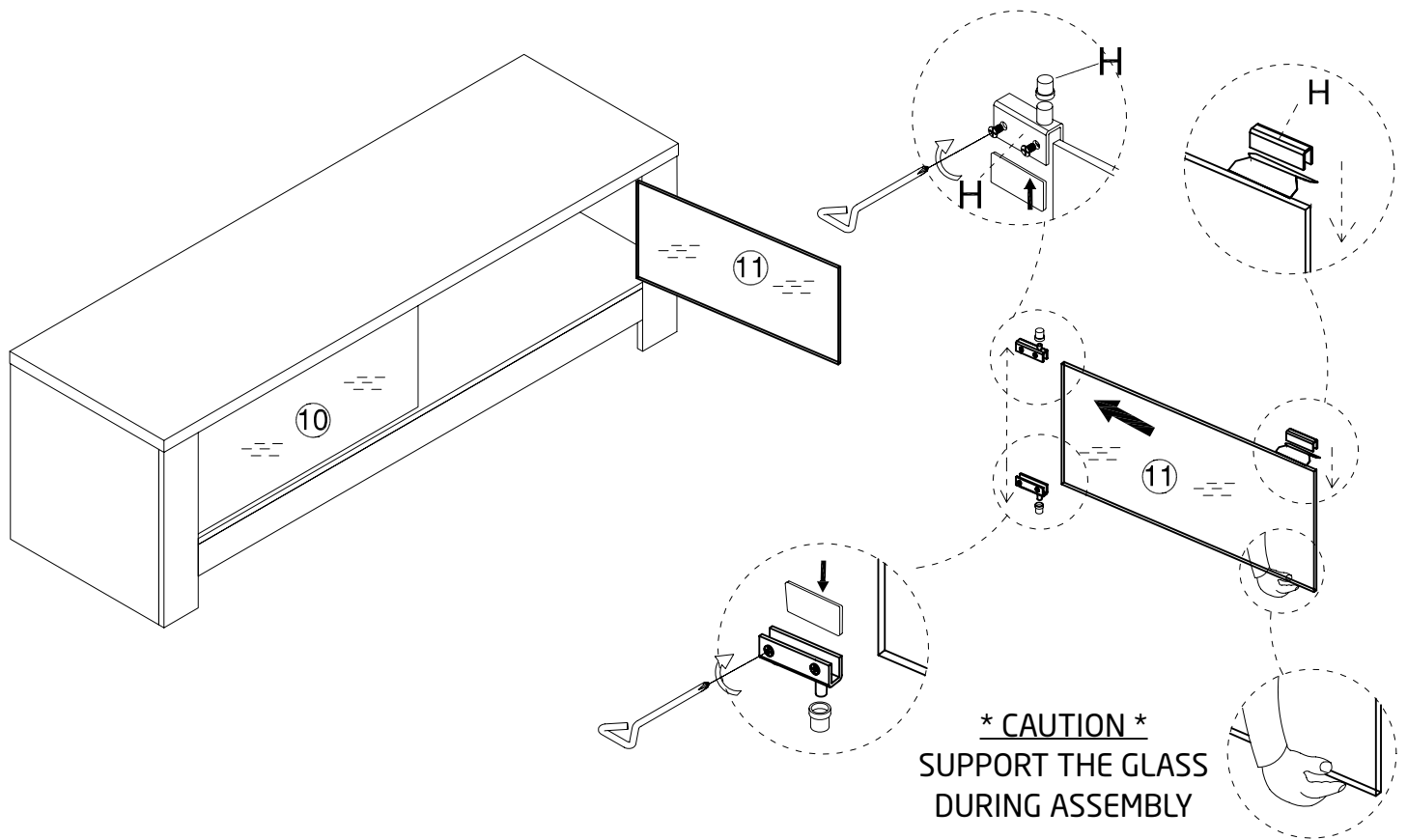
9



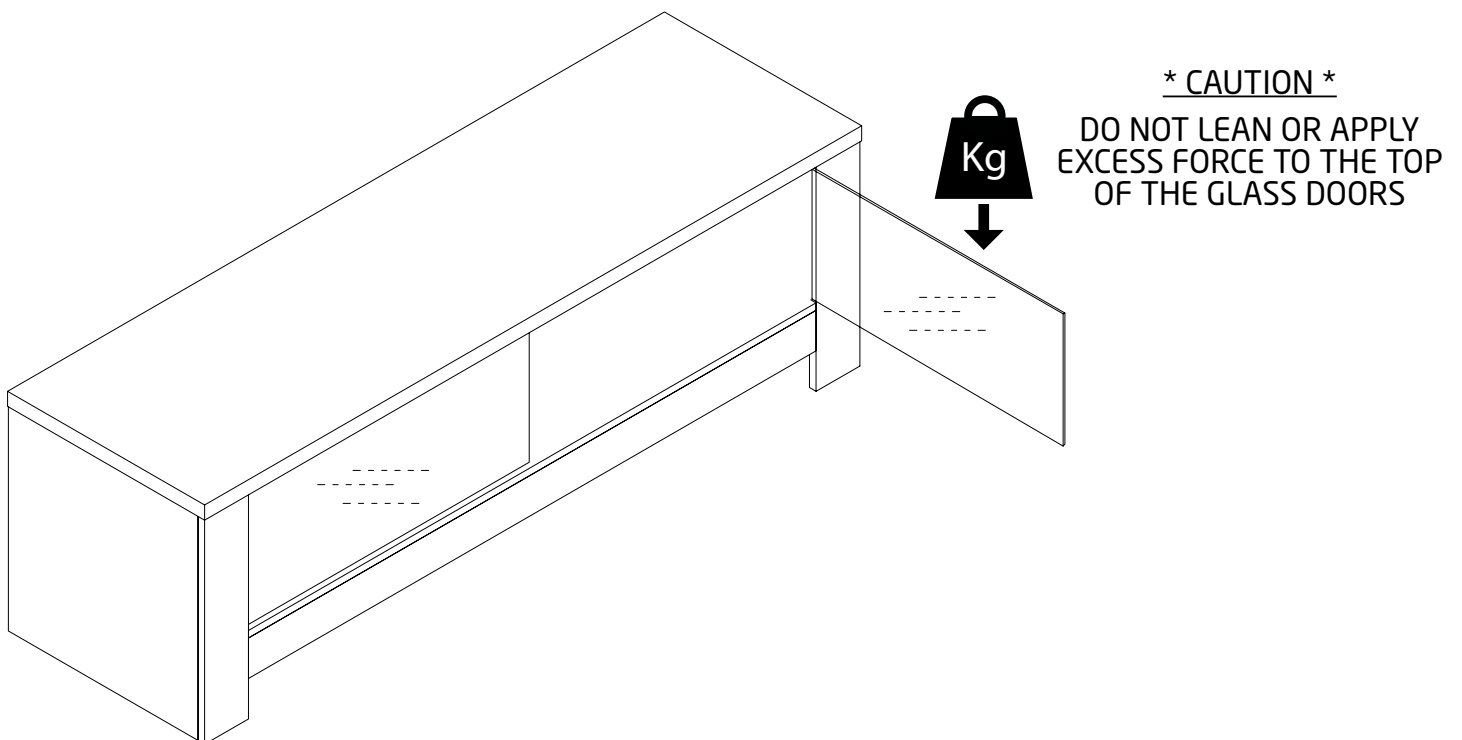
10



11



12



alphason