

**KAMADO BIG JOE I
BJ24RH**



KAMADOJOE®

Welcome | Bienvenue | Bienvenido | Welkom! Willkommen | Benvenuti | Välkommen

Assembly Images are shown first. Please read and follow all warnings and instructions before assembling and using the appliance.

Les images de montage sont montrées en premier. Veuillez lire et suivre tous les avertissements et toutes les instructions avant de monter et d'utiliser l'appareil.

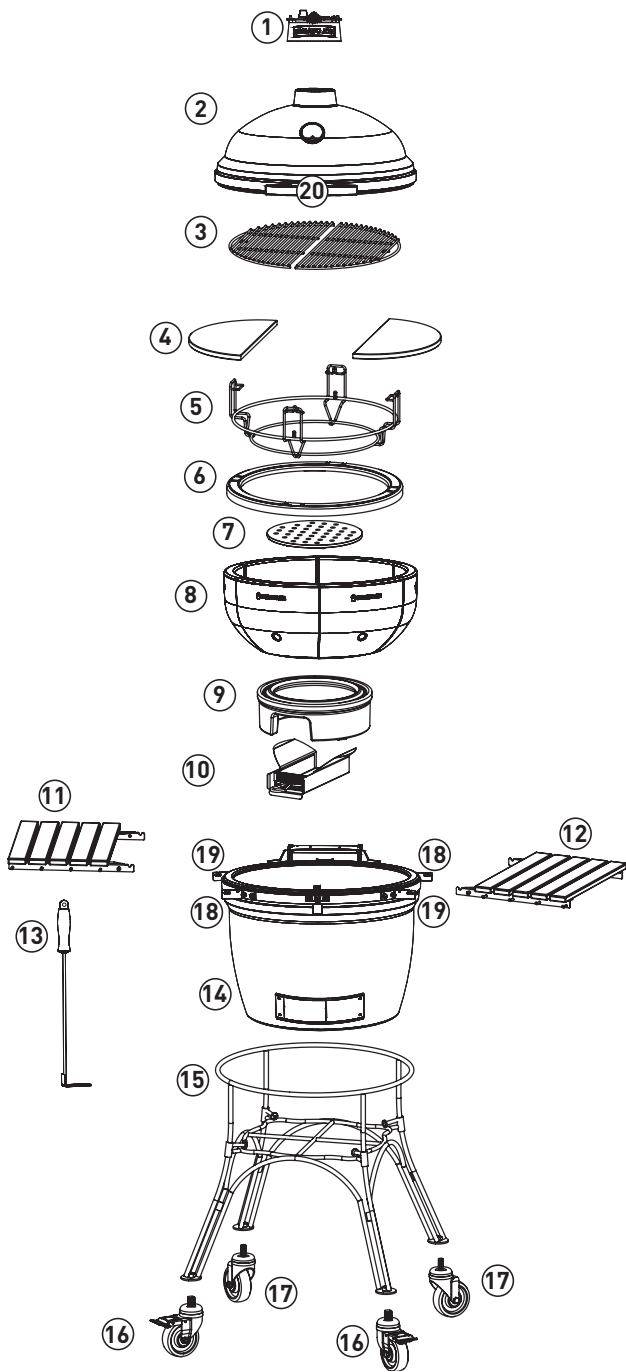
Las imágenes de ensamblaje se muestran primero. Lea y siga todas las advertencias e instrucciones antes de ensamblar y usar el artefacto.

De eerste pagina's zijn afbeeldingen van de montage. Lees en volg alle waarschuwingen en instructies, voordat u het apparaat monteert en gebruikt.

Die Montagebilder werden zuerst angezeigt. Bitte lesen und befolgen Sie alle Warnungen und Anweisungen, bevor Sie das Gerät montieren und verwenden.

Immagini del montaggio all'inizio. Leggere e rispettare tutte le avvertenze e le istruzioni prima di montare e mettere in funzione l'apparecchio.

Monteringsbilder visas först. Läs och följ alla varningar och anvisningar innan du monterar och använder apparaten.



NO.	QTY.	DESCRIPTION
1	1	TOP VENT
2	1	GRILL DOME
3	2	HALF MOON COOKING GRATES
4	2	CERAMIC HEAT DEFLECTORS
5	1	DIVIDE & CONQUER FLEXIBLE COOKING RACK
6	1	STAINLESS STEEL FIREBOX RING
7	1	CAST IRON GRATE
8	6	FIREBOX WALLS
9	1	FIREBOX BASE
10	1	SLIDE-OUT ASH DRAWER
11	1	LEFT SIDE SHELF
12	1	RIDE SIDE SHELF
13	1	GRATE TOOL
14	1	GRILL BASE
15	1	STEEL WIRE CART
16	2	LOCKING SWIVEL CASTERS
17	2	NON-LOCKING SWIVEL CASTERS
18	2	SIDE SHELF BRACKETS
19	2	SIDE SHELF BRACKETS
20	1	FRONT HANDLE

BEFORE ASSEMBLY READ ALL INSTRUCTIONS CAREFULLY

- Assemble on a clean flat surface.
- Recommend assembling on cardboard to avoid residue on floors or scratches.
- Gloves recommended for assembly.
- Tools needed: #13 wrench
- Approximate assembly time: 30 minutes.
- Recommend two people assemble to increase ease and reduce assembly time.
- Actual product may differ from picture shown.
- It is possible that some assembly steps have been completed in the factory.

DO NOT RETURN TO RETAILER!

For assembly assistance, missing or damaged parts, please contact Kamado Joe® Customer Service.

Kamado Joe® Premier Specialty Brands, LLC, 5367 New Peachtree Road, Suite 150, Chamblee, GA 30341

www.kamadojoe.com/pages/support

Kamado Joe® Europe, Lange Voorhout 86, 2514 EJ, Den Haag, Netherlands

www.international.kamadojoe.com/pages/support

Kamado Joe® UK Limited, Cheyenne House West Street, Farnham GU9 7EQ

www.international.kamadojoe.com/pages/support

Australia & New Zealand: Please contact your retailer

N°	QTÉ	DESCRIPTION
1	1	ÉVÉNT SUPÉRIEUR
2	1	DÔME DU BARBECUE
3	2	GRILLES DE CUISSON EN DEMI-LUNE
4	2	DÉFLECTEURS DE CHALEUR EN CÉRAMIQUE
5	1	GRILLE DE CUISSON FLEXIBLE DIVIDE & CONQUER®
6	1	BAGUE EN ACIER INOXYDABLE DE LA CUVE
7	1	GRILLE EN FONTE
8	6	PAROIS DE LA CUVE
9	1	BASE DE LA CUVE
10	1	BAC À CENDRES COULISSANT
11	1	ÉTAGÈRE DE GAUCHE
12	1	ÉTAGÈRE DE DROITE
13	1	RÂPE
14	1	BASE DU BBQ
15	1	CHARIOT EN FIL MÉTALLIQUE
16	2	ROULETTES PIVOTANTES BLOQUANTES
17	2	ROULETTES PIVOTANTES NON BLOQUANTES
18	2	SUPPORTS DE LA TABLETTE LATÉRALE
19	2	SUPPORTS DE LA TABLETTE LATÉRALE
20	1	POIGNÉE AVANT

AVANT L'ASSEMBLAGE, LIRE ATTENTIVEMENT TOUTES LES INSTRUCTIONS

- Assembler l'appareil sur une surface plane et propre.
- Il est recommandé d'effectuer l'assemblage sur du carton afin d'éviter de laisser des résidus sur les planchers ou de causer des égratignures.
- Le port de gants est recommandé pour l'assemblage.
- Outils nécessaires : Clé de #13
- Temps nécessaire pour l'assemblage : environ 30 minutes.
- Il est recommandé que l'assemblage soit effectué par deux personnes pour faciliter l'assemblage et réduire le temps requis.
- Le produit réel peut différer de l'illustration.
- Il est possible que certaines étapes d'assemblage aient été effectuées en usine.

NE PAS RENVOYER AU DÉTAILLANT !

Pour obtenir de l'aide pour l'assemblage ou des pièces manquantes ou endommagées, appelez le service à la clientèle de Kamado Joe®.

Kamado Joe® Premier Specialty Brands, LLC, 5367 New Peachtree Road, Suite 150, Chamblee, GA 30341

www.kamadajoe.com/pages/support

Kamado Joe® Europe, Lange Voorhout 86, 2514 EJ, La Haye, Pays-Bas

www.international.kamadajoe.com/pages/support

Kamado Joe® UK Limited, Cheyenne House West Street, Farnham GU9 7EQ

www.international.kamadajoe.com/pages/support

Australie et Nouvelle-Zélande : Veuillez prendre contact avec votre détaillant

N.º	CANT.:	DESCRIPCIÓN
1	1	DUCTO SUPERIOR
2	1	DOMO DE LA PARRILLA
3	2	REJILLAS DE COCCIÓN EN MEDIA LUNA
4	2	DEFLECTORES DE CALOR DE CERÁMICA
5	1	REJILLA DE COCCIÓN FLEXIBLE DIVIDE & CONQUER
6	1	ANILLO DEL FOGÓN EN ACERO INOXIDABLE
7	1	REJILLA DE HIERRO FUNDIDO
8	6	PAREDES DEL FOGÓN
9	1	BASE DEL FOGÓN
10	1	BANDEJA PARA CENIZAS DESLIZANTE
11	1	REPISA DEL LADO IZQUIERDO
12	1	REPISA DEL LADO DERECHO
13	1	HERRAMIENTA PARA REJILLA
14	1	BASE DE LA PARRILLA
15	1	CARRO DEL BIG JOE
16	2	RUEDECILLAS OSCILANTES CON BLOQUEO
17	2	RUEDECILLAS OSCILANTES SIN BLOQUEO
18	2	ABRAZADERAS DE LA REPISA LATERAL
19	2	ABRAZADERAS DE LA REPISA LATERAL
20	1	ASA DELANTERA

ANTES DEL ENSAMBLAJE, LEA TODAS LAS INSTRUCCIONES CUIDADOSAMENTE

- Ensamble sobre una superficie plana y limpia.
- Se recomienda ensamblar sobre un cartón para evitar residuos en los pisos o rayones.
- Se recomienda usar guantes para el ensamblaje.
- Herramientas necesarias: Llave de #13
- Tiempo aproximado de ensamblaje: 30 minutos.
- Se recomienda ensamblar entre dos personas para aumentar la facilidad y reducir el tiempo de ensamblaje.
- El producto real puede ser distinto de la imagen mostrada.
- Es posible que algunos pasos del ensamblaje hayan sido completados en fábrica.

¡NO REGRESE AL MINORISTA!

Para solicitar asistencia en el ensamblaje, o partes faltantes o dañadas, contáctese con el Servicio de asistencia al cliente de Kamado Joe®.

Kamado Joe® Premier Specialty Brands, LLC, 5367 New Peachtree Road, Suite 150, Chamblee, GA 30341
 Kamado Joe® Europe, Lange Voorhout 86, 2514 EJ, Den Haag, Países Bajos
 Kamado Joe® UK Limited, Cheyenne House West Street, Farnham GU9 7EQ
 Australia y Nueva Zelanda Contacte a su distribuidor

www.kamadोजoe.com/pages/support
www.international.kamadोजoe.com/pages/support
www.international.kamadोजoe.com/pages/support

nr.	AANTAL	OMSCHRIJVING
1	1	BOVENSTE LUCHTGAT
2	1	GRILLKOEPEL
3	2	HALVE-CIRKELVORMIGE BAKROOSTERS
4	2	KERAMISCHE WARMTESCHILDEN
5	1	DIVIDE & CONQUER®: FLEXIBEL BAKREK
6	1	ROESTVRIJSTALEN VUURKORFRING
7	1	GIETIJZEREN ROOSTER
8	6	VUURKORFWANDEN
9	1	VUURKORFBASIS
10	1	UITSCHUIFBARE ASLADE
11	1	LADE AAN LINKERKANT
12	1	LADE AAN RECHTERKANT
13	1	ROOSTERPOOK
14	1	GRILLBASIS
15	1	STAALDRAADKAR
16	2	BLOKKEERBARE ZWENKWIJLTJES
17	2	NIET-BLOKKEERBARE ZWENKWIJLTJES
18	2	BEUGELS VOOR ZIJPLANK
19	2	BEUGELS VOOR ZIJPLANK
20	1	VOORSTE HANDGREEP

LEES AANDACHTIG ALLE INSTRUCTIES VÓÓR DE MONTAGE

- Monteren op een schoon, plat oppervlak.
- Montage op karton aanbevelen om oliespaten op de vloer of krassen te voorkomen.
- Het dragen van handschoenen tijdens de montage is aanbevolen.
- Benodigd gereedschap: #13 sleutel
- Benaderde montageduur: 30 minuten.
- Het zal gemakkelijker zijn en minder lang duren als twee personen de grill monteren.
- Het werkelijk product kan anders zijn dan getoond op de afbeelding.
- Mogelijk zijn bepaalde montagestappen al gedaan tijdens de fabricage.

BRENG HET PRODUCT NIET TERUG NAAR DE WINKEL!

Voor hulp bij de montage of als er onderdelen ontbreken of beschadigd zijn, neemt u contact op met de klantendienst van Kamado Joe®.

Kamado Joe® Premier Specialty Brands, LLC, 5367 New Peachtree Road, Suite 150, Chamblee, GA 30341, VS

www.kamadajoe.com/pages/support

Kamado Joe® Europe, Lange Voorhout 86, 2514 EJ Den Haag, Nederland

www.international.kamadajoe.com/pages/support

Kamado Joe® UK Limited, Cheyenne House West Street, Farnham GU9 7EQ, VK

www.international.kamadajoe.com/pages/support

Australië en Nieuw-Zeeland: Neem contact op met uw winkelier.

NR.	MENGE.	BESCHREIBUNG
1	1	OBERE LUFTKLAPPE
2	1	GRILL-HAUBE
3	2	HALBMONDFÖRMIGE GRILLROSTE
4	2	HITZESCHUTZPLATTEN AUS KERAMIK
5	1	"DIVIDE & CONQUER®" FLEXIBLER GRILLROST
6	1	BRENNKASTENRING AUS EDELSTAHL
7	1	GUSSEISENROST
8	6	BRENNKASTENWÄNDE
9	1	BRENNKASTENSOCKEL
10	1	AUSZIEHBARE ASCHENSCHUBLADE
11	1	LINKSSEITIGES REGAL
12	1	RECHTSSEITIGES REGAL
13	1	GRILLROST-TOOL
14	1	GRILLSOCKEL
15	1	STAHLDRAHTWAGEN
16	2	VERRIEGELNDE LAUFROLLEN
17	2	NICHT-VERRIEGLNDE LAUFROLLEN
18	2	HALTERUNGEN FÜR SEITENABLAGEN
19	2	HALTERUNGEN FÜR SEITENABLAGEN
20	1	VOORSTE HANDGREEP

LESEN SIE VOR DEM ZUSAMMENBAU ALLE ANWEISUNGEN SORGFÄLTIG DURCH

- Auf einer sauberen, flachen Oberfläche zusammenbauen.
- Es wird empfohlen, die Montage auf Kartondurchzuführen, um Rückstände auf dem Boden oder Kratzer zu vermeiden.
- Für die Montage werden Handschuhe empfohlen.
- Benötigte Werkzeuge: #13-Schlüssel
- Ungefähre Montagezeit: 30 Minuten.
- Es wird empfohlen die Montage mit zwei Personen durchzuführen, um die Montage zu vereinfachen und die Montagezeit zu verkürzen.
- Das tatsächliche Produkt kann von der Abbildung abweichen.
- Es ist möglich, dass einige Montageschritte im Werk abgeschlossen wurden.

NICHT ZUM HÄNDLER ZURÜCKSENDEN!

Für Hilfe bei der Montage, fehlende oder beschädigte Teile, kontaktieren Sie bitte Kamado Joe® Kundenbetreuung.

Kamado Joe® Premier Specialty Brands, LLC, 5367 New Peachtree Road, Suite 150, Chamblee, GA 30341 www.kamadojoe.com/pages/support

Kamado Joe® Europe, Lange Voorhout 86, 2514 EJ, Den Haag, Niederlande www.international.kamadojoe.com/pages/support

Kamado Joe® UK Limited, Cheyenne House West Street, Farnham GU9 7EQ www.international.kamadojoe.com/pages/support

Australien und Neuseeland: Bitte wenden Sie sich an Ihren Händler.

N.	Q.TÀ.	DESCRIZIONE
1	1	PRESA D'ARIA SUPERIORE
2	1	COPERCHIO DEL GRILL
3	2	GRIGLIE DI COTTURA A MEZZA LUNA
4	2	DEFLETTORI TERMICI IN CERAMICA
5	1	GRIGLIA DI COTTURA FLESSIBILE DIVIDE & CONQUER
6	1	GHIRA PER FOCOLARE IN ACCIAIO INOX
7	1	GRIGLIA PER IL FUOCO IN GHISA
8	6	FOCOLARE IN CERAMICA
9	1	BASE FOCOLARE
10	1	VASSOIO DELLA CENERE ESTRAIBILE
11	1	RIPIANO LATERALE SINISTRO
12	1	RIPIANO LATERALE DESTRO
13	1	UTENSILE PER LE CENERI
14	1	CORPO BIG JOE
15	1	CARRELLO IN ACCIAIO
16	2	RUOTE GIREVOLI BLOCCABILI
17	2	RUOTE GIREVOLI NON BLOCCABILI
18	2	STAFFE PER RIPIANO LATERALE
19	2	STAFFE PER RIPIANO LATERALE
20	1	MANIGLIA ANTERIORE

PRIMA DEL MONTAGGIO LEGGERE ATTENTAMENTE LE ISTRUZIONI

- Montare su una superficie piana e pulita.
- Si consiglia di effettuare il montaggio dell'apparecchio su un cartone per evitare graffi o residui sui pavimenti.
- Si consiglia di indossare guanti durante le operazioni di montaggio.
- Utensili necessari: chiave inglese da #13.
- Tempo approssimativo di montaggio: 30 minuti.
- Si consiglia di assemblare il prodotto in due persone per ridurre il tempo di montaggio.
- L'immagine potrebbe non rappresentare il prodotto reale.
- Alcune fasi di montaggio potrebbero essere state completate in fabbrica.

NON RESTITUIRE AL RIVENDITORE!

Per assistenza nel montaggio o per parti mancanti o danneggiate, contattare l'Assistenza clienti Kamado Joe®.

Kamado Joe® Premier Specialty Brands, LLC, 5367 New Peachtree Road, Suite 150, Chamblee, GA 30341

www.kamadोजoe.com/pages/support

Kamado Joe® Europe, Lange Voorhout 86, 2514 EJ, Den Haag, Netherlands

www.international.kamadोजoe.com/pages/support

Kamado Joe® UK Limited, Cheyenne House West Street, Farnham GU9 7EQ

www.international.kamadोजoe.com/pages/support

Australia e Nuova Zelanda: Contattare il proprio rivenditore

NR.	ANTAL	BESKRIVNING
1	1	ÖVRE VENTIL
2	1	GRILLKUPOL
3	2	HAVMÅNE-FORMAT MATLAGNINGSGALLER
4	2	KERAMISKA VÄRMEDEFLEKTORER
5	1	DIVIDE & CONQUER® FLEXIBEL FIREBOX-RING I ROSTFRITT STÅL
6	1	FIREBOX-RING I ROSTFRITT STÅL
7	1	GRILLGALLER I GIUTJÄRN
8	6	FIREBOX-VÄGGAR
9	1	FIREBOX-BAS
10	1	UTDRAGBAR ASKLÅDA
11	1	VÄNSTER SIDOHYLLA
12	1	HÖGER SIDOHYLLA
13	1	GALLERVERKTYG
14	1	GRILLBAS
15	1	METALLVAGN
16	2	LÅSBARA SVÄNGHJUL
17	2	ICKE-LÅSBARA SVÄNGHJUL
18	2	SIDOHYLLFÄSTEN
19	2	SIDOHYLLFÄSTEN
20	1	FRÄMRE HANDTAG

FÖRE MONTERING LÄS ALLA INSTRUKTIONER NOGGRANT

- Sätt ihop den på en ren plan yta.
- Rekommenderar montering på kartong för att undvika rester på golv eller repor.
- Handskar rekommenderas för montering.
- Nödvändiga verktyg: #13 skiftnyckel
- Ungefärlig monteringsstid: 30 minuter.
- Rekommenderat är att två personer monterar för att underlätta och minska monteringsstiden.
- Den faktiska produkten kan skilja sig från bilden som visas.
- Det är möjligt att vissa monteringssteg har genomförts på fabriken.

RETURNERA INTE TILL FÖRSÄLJAREN!

För hjälp med montering, saknade eller skadade delar, kontakta Kamado Joe® Kundtjänst.

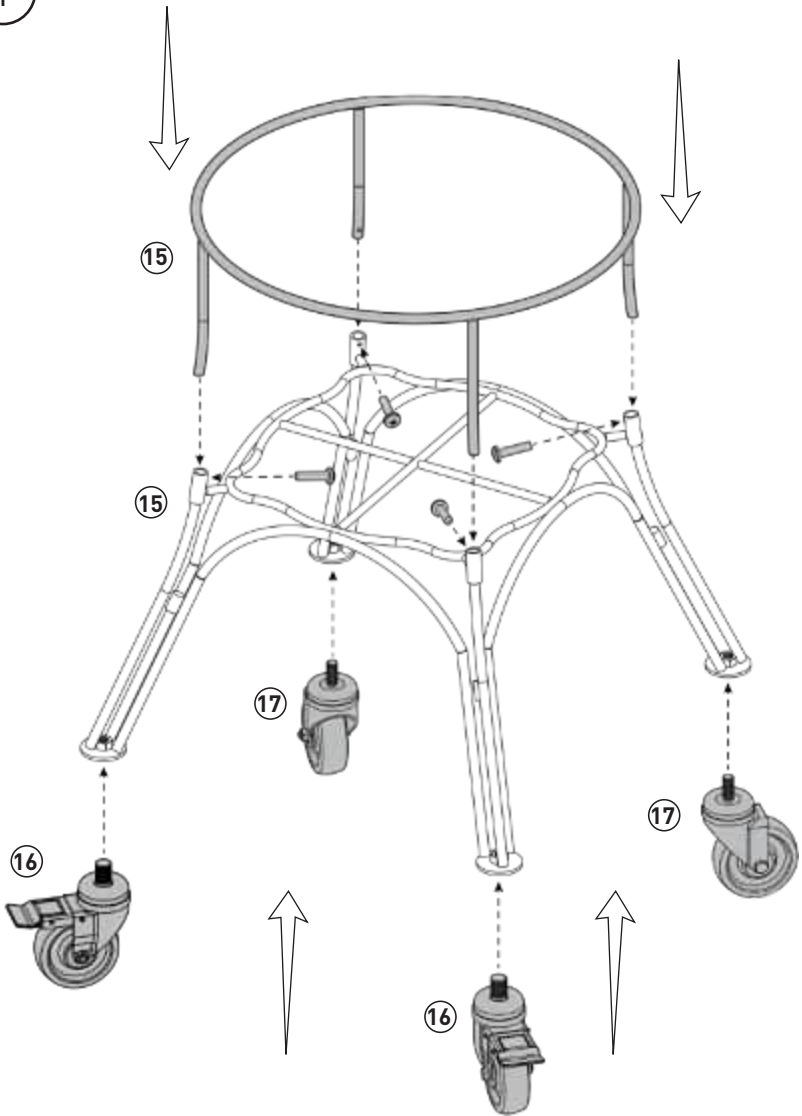
Kamado Joe® Premier Specialty Brands, LLC, 5367 New Peachtree Road, Suite 150, Chamblee, GA 30341 www.kamadojoe.com/pages/support

Kamado Joe® Europe, Lange Voorhout 86, 2514 EJ, Den Haag, Nederländerna www.international.kamadojoe.com/pages/support

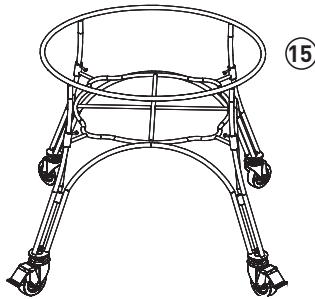
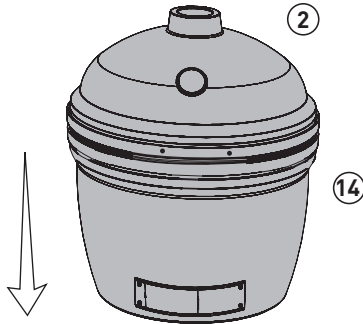
Kamado Joe® UK Limited, Cheyenne House West Street, Farnham GU9 7EQ www.international.kamadojoe.com/pages/support

Australien och Nya Zeeland Kontakta din återförsäljare.

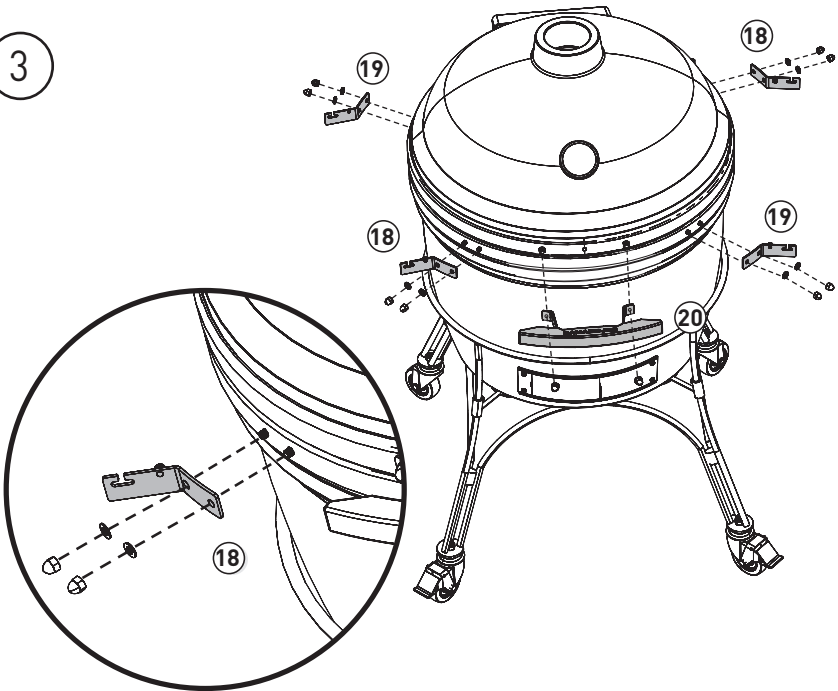
1



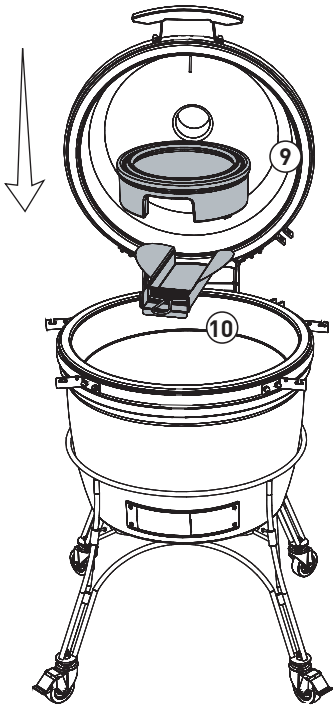
2



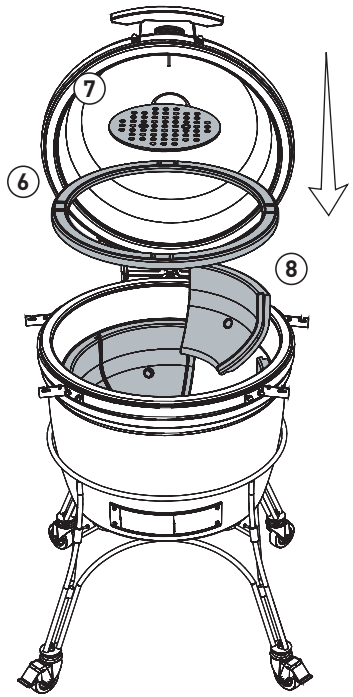
3



4

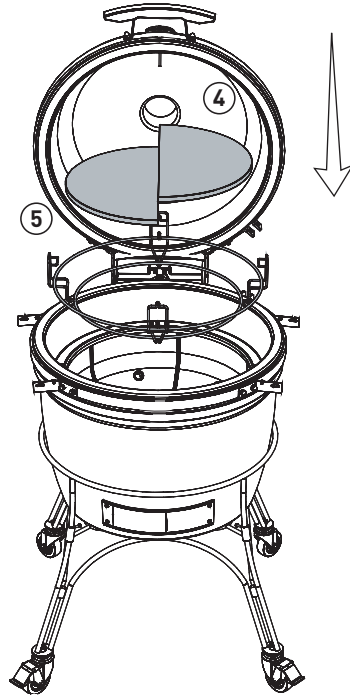


6

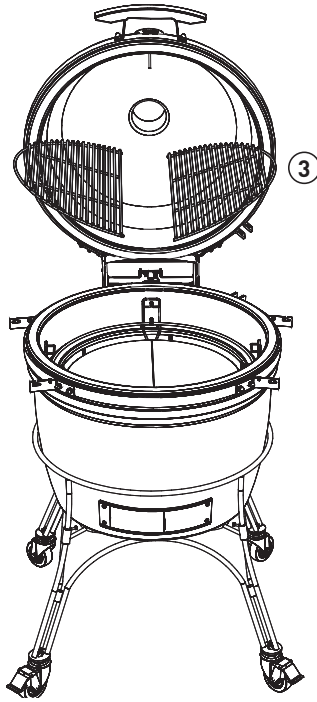


8

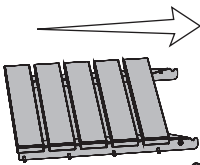
5



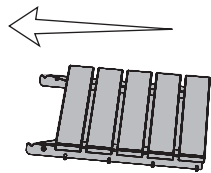
6



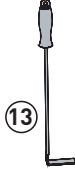
7



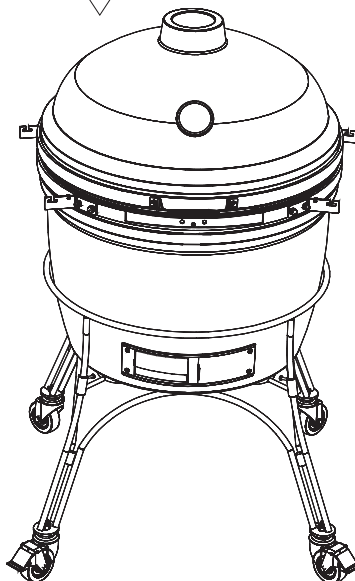
11



12



13



8



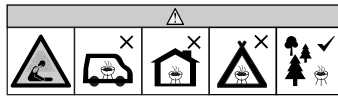
FOR OUTDOOR USE ONLY. NOT FOR COMMERCIAL USE.**WARNING**

- This manual contains important information necessary for the proper assembly and safe use of the appliance.
- Read and follow all warnings and instructions before assembling and using the appliance.
- Keep this manual for future reference.

**CARBON MONOXIDE HAZARD**

Failure to follow these instructions could result in fire, explosion or burn hazard which could cause property damage, personal injury, or death.

- Burning wood chips, wood chunks, wood pellets, charcoal and propane gives off carbon monoxide, which has no odor and can cause death.
- DO NOT burn wood chips, wood chunks, wood pellets, charcoal or propane inside homes, vehicles, tents, garages or any enclosed areas.
- Do not use the barbecue in a confined and/or habitable space e.g. houses, tents, caravans, motor homes, boats. Danger of carbon monoxide poisoning fatality.
- USE ONLY OUTDOORS where it is well ventilated.
- **FOLLOW THESE GUIDELINES TO PREVENT THIS COLORLESS, ODORLESS GAS FROM POISONING YOU, YOUR FAMILY OR OTHERS.**
 - Know the symptoms of carbon monoxide poisoning: headache, dizziness, weakness, nausea, vomiting, sleepiness, and confusion. Carbon monoxide reduces the blood's ability to carry oxygen. Low blood oxygen levels can result in loss of consciousness and death.
 - See a doctor if you or others develop cold or flu-like symptoms while cooking or in the vicinity of this appliance. Carbon monoxide poisoning, which can easily be mistaken for a cold or flu, is often detected too late.
 - Alcohol consumption and drug use increase the effects of carbon monoxide poisoning.
 - *Carbon monoxide is especially toxic to mother and child during pregnancy, infants, the elderly, smokers, and people with blood or circulatory system problems, such as anemia, or heart disease.*

**WARNINGS AND IMPORTANT SAFEGUARDS****READ ALL INSTRUCTIONS**

- Do not leave grill unattended.
- Grill is for **OUTDOOR HOUSEHOLD USE ONLY**.
- Do not use indoors!
- Use charcoal for fuel only.
- Do not use grill in high winds!
- Close lid and dampers to help suffocate flame.
- Do not alter this grill in any manner.
- Do not exceed a temperature of 750°F (398°C) or more.
- Always use grill in accordance with all applicable local, state and federal fire codes.
- Potential damage to grill or harm to user may result from failure to follow warnings.
- Never use inside enclosed areas such as patios, garages, buildings, or tents.
- Never use inside or on recreational vehicles or boats.
- Do not use the barbecue in a confined and/or habitable space e.g. houses, tents, caravans, motor homes, boats. Danger of carbon monoxide poisoning fatality.
- Maintain a minimum distance of 3m (10ft) from overhead construction, walls, rails or other structures.
- Keep a minimum 3m (10ft) clearance of all combustible materials such as wood, dry plants, grass, brush, paper.
- Never operate grill under overhead construction such as roof coverings, carports, awnings, or overhangs. (SEE STRUCTURAL PROXIMITY REQUIREMENTS).
- Keep grill clear and free from combustible materials such as gasoline and other flammable vapors and liquids.
- Use grill on a level, non-combustible, stable surface such as dirt, concrete, brick, or rock. An asphalt surface (blacktop) may not be acceptable for this purpose.
- Do not use grill on wooden or flammable surfaces.
- Grill **MUST** be on the ground. Do not place grill on tables or counters. Do **NOT** move grill across uneven surfaces.

**WARNINGS AND IMPORTANT SAFEGUARDS**

- Grill should only be rolled on smooth surface.
- Grill should never be rolled up/down stairs or uneven surface.
- Never use grill as a heater (READ CARBON MONOXIDE HAZARD).
- Never use grill for anything other than its intended use. This grill is NOT for commercial use.
- Keep a fire extinguisher accessible at all times while operating grill.
- When cooking with oil or grease, have a type BC or ABC fire extinguisher readily available.
- In the event of an oil or grease fire do not attempt to extinguish with water. Immediately call the fire department. A type BC or ABC fire extinguisher may, in some circumstances, contain the fire.
- Before each use check all nuts, screws, and bolts to make sure they are tight and secure.
- Use of alcohol, prescription, or non-prescription drugs may impair user's ability to properly assemble or safely operate grill.
- Keep children and pets away from grill at all times. Do NOT allow children to use grill. Close supervision is necessary when children or pets are in the area where grill is being used.
- Do NOT allow anyone to conduct activities around grill during or following its use until it has cooled.
- DO NOT bump or impact the grill to prevent personal harm, damage to grill, or spillage/splashing of hot cooking liquid.
- Extreme caution must be used when moving an appliance containing hot oil or other hot liquids.
- Never move grill when in use. Allow grill to cool completely (below 115°F or 45°C) before moving or storing.
- The grill is HOT while in use and will remain HOT for a period of time afterwards and during cooling process. Use CAUTION. Wear protective gloves/mitts.
- Do not touch HOT surfaces. Use handles or knobs.
- Never use glass, plastic, or ceramic cookware in grill. Never place empty cookware in grill while in use.
- Accessory attachments not supplied by Kamado Joe® are not recommended and may cause injury.
- Do not store grill with hot ashes or charcoal inside grill. Store only when fire is completely out and all surfaces are cold.
- Be careful when removing food from grill. All surfaces are HOT and may cause burns. Use protective gloves/mitts or long, sturdy, cooking tools for protection from hot surfaces or splatter from cooking liquids.
- Grill is hot during use. Keep face and body away from door(s) and vents. Steam and hot air are expelled during use.
- DO NOT obstruct flow of combustion and ventilation.
- Do not cover cooking racks with metal foil. This will trap heat and may cause damage to the grill.
- Never leave HOT coals or ashes unattended.
- Do not remove ash drawer while ashes and charcoal are HOT.
- Grill has an open flame. Keep hands, hair, and face away from flame. Do NOT lean over grill when lighting. Loose hair and clothing may catch fire.
- Use protective gloves when handling this grill or working with fire. Use protective gloves or long, sturdy fireproof tools when adding wood or charcoal.
- Air dampers are HOT while the grill is in use and during cooling; wear protective gloves when adjusting.
- Top vent and lower damper is HOT while grill is in use and during cooling; wear protective gloves when adjusting.
- Cooking grate is HOT while the grill is in use and during cooling; use extreme caution, if you touch the cooking grate, wear protective gloves or use a sturdy long handled tool.
- Do not cook before the charcoal has a coating of ash.
- The barbecue should be heated up and the fuel should be kept red hot for at least 30mins prior to the first cook.
- Never use charcoal lighting fluid, gasoline, alcohol or other highly volatile fluids to ignite charcoal. These fluids can explode and cause injury or death.
- Never overfill charcoal grate. This can cause serious injury as well as damage to the grill.
- Never use more than the recommended amount of charcoal (see below).
- WARNING! This barbecue will become very hot, do not move it during operation.
- WARNING! Keep children and pets away.
- WARNING! Do not use spirit or petrol for lighting or re-lighting! Use only firelighters complying to EN 1860-3!
- Never add additional lighter fluid once charcoal has ignited. Follow directions on lighter fluid container.
- Dispose of cold ashes by placing them in aluminum foil, soaking with water, and discarding in a non-combustible container.
- Keep lid open during the lighting process.
- When cooking above 350°F (175°C), **carefully and slowly open the grill lid 2-3 inches (5-8 cm) and "burp" the grill for 5 seconds** each time you lift the dome. This will prevent flashback – a surge of white-hot heat caused by a rush of oxygen.

DO NOT EXCEED A TOTAL OF 10 LBS / 4.5 KGS OF CHARCOAL FOR MAIN FIREBOX



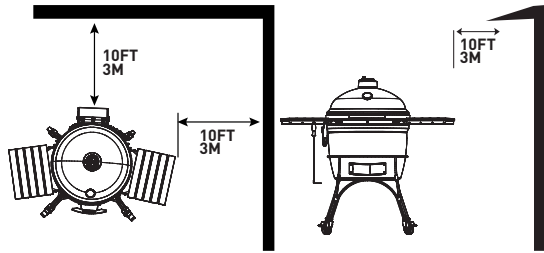
STRUCTURAL PROXIMITY REQUIREMENTS



Maintain a minimum distance of 10 ft (3 m) from rear, sides and top of grill to all overhead construction, walls, rails or other combustible construction materials.

Maintain a minimum distance of 10 ft (3 m) from all combustible and flammable materials such as, wood, plants, grass, brush, paper, gasoline, or canvas.

This clearance provides adequate space for proper combustion, air circulation and venting. Grill should not be used on combustible materials like wood decks or other combustible materials.



SAVE THESE INSTRUCTIONS

This product does not come with charcoal or wood chunks.

GRILL SET UP

UNBOXING

1. Cut the plastic bands and open the shipping container.
2. Set all boxes and packing materials aside.
3. Open the dome of the grill and remove all internal components. Use caution and handle the components with care. The ceramic is breakable.

LIFTING METHOD

Once the internal components of the grill have been removed, lift the grill out of the container and into the cart or table or stand. Before lifting, ensure all band and hinge nuts are snug and secure.

- Due to the weight of the grill, lifting the grill requires two or more people to perform this task.
- **Lift the grill by using the rear hinge and front lower opening as lifting points. Wear protective gloves when lifting and use extreme caution, some components may be sharp.**
- DO NOT LIFT the grill without two or more people

SETTING UP

Set grill up on solid, flat surface with adequate wind shelter.
Do not move grill while hot, and do not leave unattended during operation.

This appliance is designed for use outdoors, away from any flammable materials. It is important that there are no overhead obstructions and that there is a minimum distance of 10 feet (3 m) from the side or rear of the appliance. It is important that the ventilation openings of the appliance are not obstructed. The barbecue must be used on a level, stable surface. The appliance should be protected from direct drafts and positioned or protected against direct penetration by any trickling water (e.g. rain).

BUILT IN GUIDE

IMPORTANT INSTALL NOTES:

Please use this as a general guide for installing your Kamado Joe into a built-in outdoor kitchen or grill table. We highly recommend that the actual grill being installed be measured.

Table should be fixed on the ground or wall. Non-flammable building materials are required for construction.

TABLE REQUIREMENTS:

MATERIALS: Ensure the materials used are non-combustible and can handle high temperatures.

BASE: Ensure the Kamado Joe Jr stand is used or an air gap is created underneath the grill.
Do NOT place the grill directly on the table surface without an air gap.

ACCESS: Ensure there is front access so that the lower air vent is not blocked.

CLEARANCE: Ensure there is space between the top of the table and the edge of the grill. The table top SHOULD NOT make direct contact with the grill.

Operating Instructions

INITIAL HEATING

Kamado Joe manufactures its products with care. Pre-Seasoning IS NOT required for the first use of your Kamado Joe. We do however recommend the steps below for your first heating.

1. Ensure all hardware is tight before starting the grill. Ensure to check all bands and hinge.
2. Wash cooking grates with mild dish detergent and allow to dry.
3. Start grill by following the LIGHTING instructions. Build a small / medium sized fire.
 - Do not use more than 10 LBS / 4.5 KGS of charcoal.
 - Always put charcoal on charcoal tray.
4. Keep grill under 400°F (204°C) for 1 hour for the first burn or cook.
5. After the first hour, you may shut down the grill.

AFTER THE FIRST HEATING: because of the nature of thermal expansion and contraction, some adjustments or tightening may be needed after the initial heating.

- **BANDS:** You may notice your bands have lost some tension, please refer to the bands adjustment section of this manual to check the tightness of your bands. Regular adjustments are completely normal.
- **CERAMIC:** After the first cook, you may notice light cracking in the porcelain. This is called crazing and is part of the natural porcelain characteristic.

LIGHTING INSTRUCTIONS

1. Before you cook, use the ash tool to stir up the remaining charcoal in the firebox to remove all the loose ash. Loose ash will fall through the fire grate.
2. Dispose of all loose ash. Dispose of cold ashes by placing them in aluminum foil, soaking with water, and discarding in a non-combustible container.
3. Add charcoal to firebox and light using one or two fire starters.
4. Leave dome and bottom vent fully open for 10 minutes. Allow for charcoal to ignite.
5. After charcoal has ignited, close the dome.
6. Begin to close and adjust the top vent and bottom vent when temperature is within 50°F (10°C) of your target temperature.
7. Because your ceramic Kamado Joe is so insulating, it can take some time to fully preheat. Give your grill 20 – 60 minutes to stabilize the temperature and heat the ceramics before you start cooking.

NOTE: Because ceramic retains heat so well, only increase your grill temperature slightly and slowly. It's much easier to increase the heat slightly, than it is to bring the temperature down after an overshoot.

Operating Instructions

MAINTAINING TEMPERATURE

AIRFLOW:

In order to control the temperature of your grill, you need to control the amount of air flow to the fire. By opening and closing the top and bottom dampers, you can adjust the temperature of your grill.

- MORE AIR = MORE HEAT (open the vents)
- LESS AIR = LESS HEAT (close the vents)

CHARCOAL:

The amount of charcoal used when grilling can also greatly impact your ability to control temperature. The more charcoal that ignites, the hotter the grill can be.

- MORE CHARCOAL = MORE HEAT
- LESS CHARCOAL = LESS HEAT

TEMPERATURE MAINTENANCE NOTES:

- Adjustments to the vents / dampers are not immediate. Be patient, allow 10–15 minutes from a vent adjustment for a temperature change to take effect.
- Because ceramic retains heat so well, only increase your grill temperature slightly and slowly. It's much easier to increase the heat slightly, than it is to bring the temperature down after an overshoot.

COOKING TIPS

BURPING the GRILL:

When cooking above 350°F (175°C), carefully open the grill lid 2-3 inches (5-8 cm) and “burp” the grill for approximately 5 seconds each time you lift the dome. This will prevent a flash-back - a surge of white- hot heat caused by a rush of oxygen.

LIQUIDS:

Do not spill liquids inside or on the grill while it is hot.

SHUT DOWN

1. When finished cooking, close the bottom vent completely.
2. Clean your grill grates with a grate scraper or damp rag. Use CAUTION, they will be hot.
3. Once temperature falls below 400°F (205°C), close the top vent.
4. Do not cover or clean the grill until the dome is cool to the touch (115°F / 45°C).
5. Please review the cleaning and care instructions for further cleaning steps.

Cleaning and Care

EVERY COOK

Your Kamado Joe grill is made of quality materials, so general care and maintenance is minimal. The best way to protect your Kamado Joe from the elements is with a grill cover.

1. Before cleaning, ensure your grill has completely cooled and all charcoal has been extinguished.
2. Use the ash tool to stir up the remaining charcoal in the firebox to remove all the loose ash. Loose ash will fall through the fire grate.
3. Dispose of all loose ash. Dispose of cold ashes by placing them in aluminum foil, soaking with water, and discarding in a non-combustible container.
4. Wipe down the outside of your grill with a damp rag to remove any spilled ingredients and debris. Do not excessively scrub the gasket, this can cause damage. The gasket will be cleaned through natural heat cycling when you use your grill.
5. Cover your grill with a grill cover and store in a cool, dry place.

NOTE: When your heat deflector gets dirty during normal use, flip them over, with the dirty side down, for the next cook. The heat from the fire will self-clean that side of the deflector plate.

SELF CLEANING

It is recommended to complete these steps as needed. Cleaning frequency will vary depending on how often you use your Kamado Joe and your environment. If mold or mildew appears inside of your grill, it is recommended to complete the self cleaning steps below.

This process will burn off any unwanted residue from the inside of your grill. After you complete the steps below, before cooking again, use a soft bristle brush on the ceramics and heat deflectors to remove any residue.

1. Remove the cooking grates and wash with a mild dish detergent. The cooking grates will stay removed during this cleaning session.
2. Add charcoal and light the grill.
3. Install the accessory rack and the heat deflector on the accessory rack - place the heat deflector in the grill with the dirty side down.
4. Open the top and bottom air vents fully and let the temperature inside the grill rise to 600°F (315°C) with the dome closed.
5. Hold the temperature at around 600°F (315°C) for 15-20 minutes or until no visible smoke is present.
6. Close the bottom vent fully. Once temperature falls below 400°F (205°C), close the top vent completely.
7. Allow the grill to shut down.

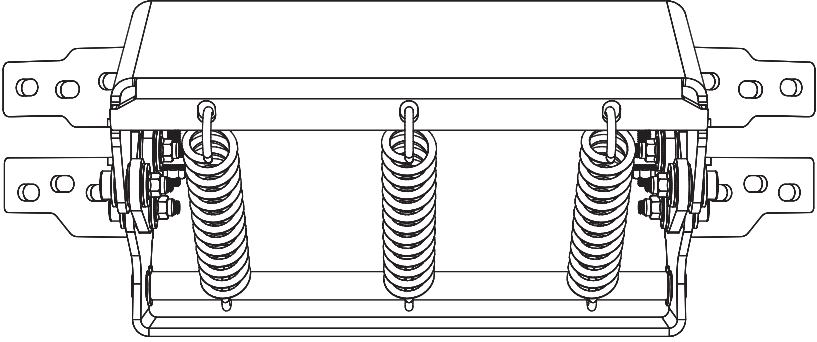
DEEP CLEANING

Once or twice a year, you should do a more thorough cleaning of the inside of the grill.

1. Before cleaning, ensure your grill has completely cooled and all charcoal has been extinguished.
2. Remove the internal components and remove any residual ash or debris that has collected between the grill body and the internal components.
3. Use a plastic bristle brush to clean the inside ceramic surface.
4. Scoop or vacuum debris from the bottom of the grill.
5. Wipe down the hinge and exterior of your grill.
6. Replace all internal components and get ready for your next cook.

BIG JOE I Hinge Disengagement

The Hinge on your BIG JOE I is already pre-adjusted for ideal balance and stability. Follow these instructions to disengage the hinge.



DISENGAGE THE HINGE BY UNSCREWING THE HARDWARE FROM THE RIGHT AND LEFT SIDE. SEE FIGURE 1.

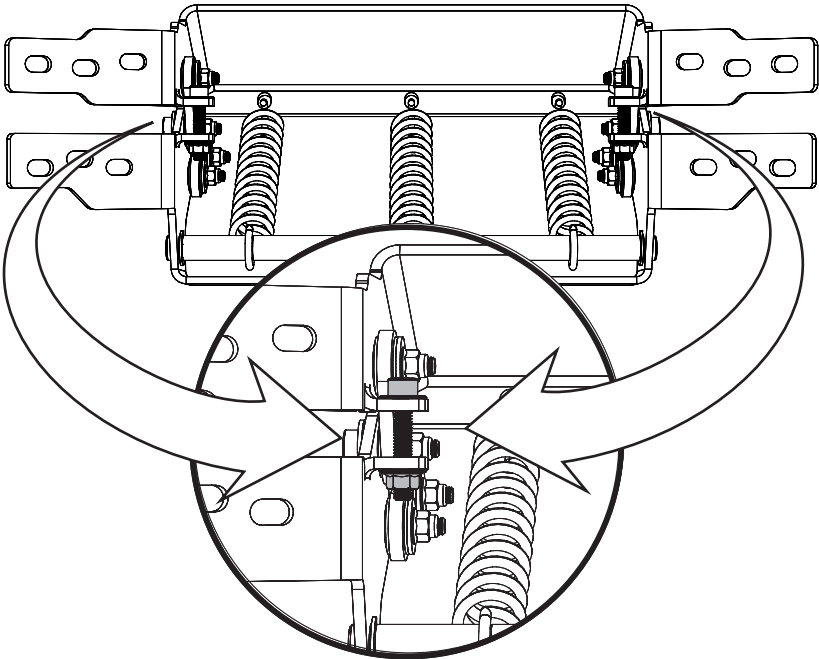
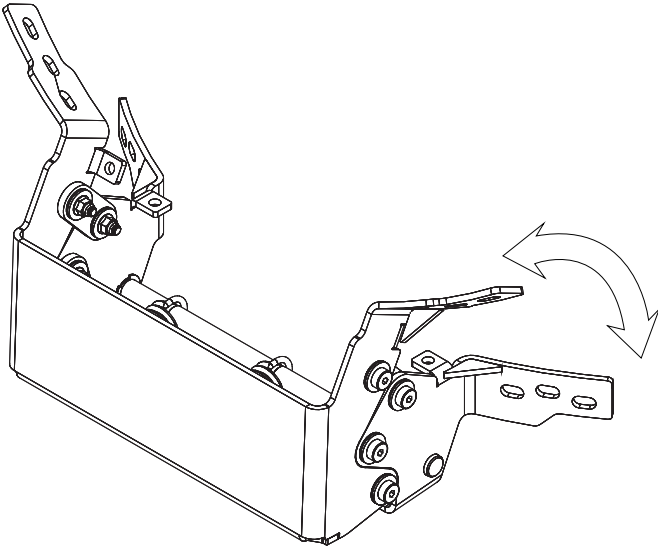
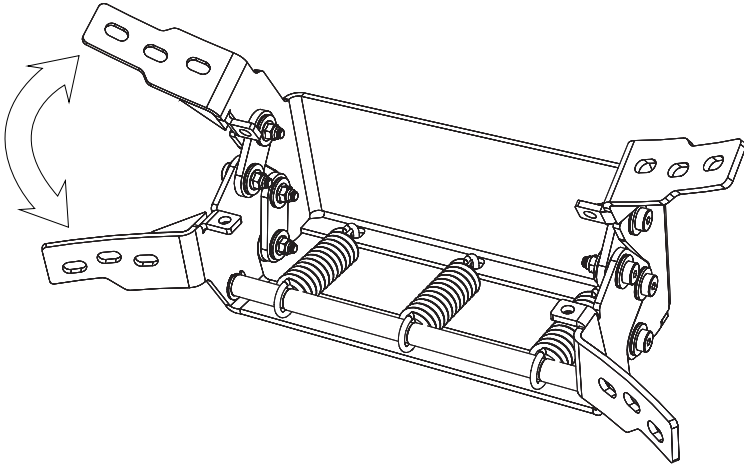


FIGURE 1.



AFTER THE DISENGAGEMENT HARDWARE HAS BEEN REMOVED, THE HINGE IS FREE TO MOVE UP AND DOWN.



**KEEP THE DISENGAGEMENT HARDWARE. DO NOT DISCARD.
HARDWARE IS USED IF HINGE REPLACEMENT IS NECESSARY.**

LIMITED WARRANTY

This warranty applies to all Kamado Joe® products.

Limited Lifetime Warranty on Ceramic Parts

Kamado Joe® warrants that key ceramic parts used in this Kamado Joe® grill and smoker are free of defects in material and workmanship for as long as the original purchaser owns the grill.

5-Year Warranty on Metal Parts and Kettle Joe Grills

Kamado Joe® warrants that key metal and cast iron parts used in this Kamado Joe® grill and smoker are free of defects in material and workmanship for a period of five (5) years.

3-Year Warranty on Electronic Components, Heat Deflectors, and Pizza Stones

Kamado Joe® warrants that electronic components of this Kamado Joe® grill and smoker are free of defects in material and workmanship for a period of three (3) years.

2-Year Warranty on Miscellaneous Components and Standalone Accessories

Kamado Joe® warrants that any miscellaneous components used in this Kamado Joe® grill and smoker (including, but not limited to the thermometer, gaskets, and iKamand controllers) or any Kamado Joe accessories are free of defects in material and workmanship for a period of two (2) years.

Limited Commercial Use Warranty

This warranty assumes normal and reasonable domestic household use combined with expected good maintenance for all Kamado Joe® products. This warranty does not apply to commercial usages, for example, by, caterers, butchers, rental companies, and food trucks. Kamado Joe® warrants that all Kamado Joe® grills and smokers used in commercial applications are free of defects in material and workmanship for a period of one (1) year

When Does the Warranty Coverage Begin?

Warranty coverage commences on the original date of purchase and covers only the original purchaser. For the warranty to apply, you must register your Kamado Joe® product using the product registration page on our website. If you discover a defect in material or workmanship during the applicable warranty period under normal use and maintenance, Kamado Joe® will, at our sole option, replace or repair the defective component at no cost to you for the component itself. This warranty does not apply to labor, or any other cost associated with the service, repair or operation of the grill. Kamado Joe will pay all shipping charges on warranty parts.

AUSTRALIAN RESIDENTS ONLY: Our goods come with guarantees that cannot be excluded under the Australian Consumer Law. You are entitled to a replacement or refund for a major failure and compensation for any other reasonably foreseeable loss or damage. You are also entitled to have the goods repaired or replaced if the goods fail to be of acceptable quality and the failure does not amount to a major failure.

What is Not Covered?

This warranty does not apply to damage caused by abuse or use of the product for purposes other than that for which it is designed, damage caused by lack of proper use, assembly, maintenance or installation, damages caused by accidents or natural disasters, damage caused by unauthorized attachments or modifications, or damage during transport. This warranty does not cover damage from normal wear and tear from use of the product (for example, scratches, dents, dings and chipping) or changes in the appearance of the grill that do not affect its performance.

THIS LIMITED WARRANTY IS EXCLUSIVE AND IN LIEU OF ANY OTHER WARRANTY, WRITTEN OR ORAL, EXPRESS OR IMPLIED, INCLUDING BUT NOT LIMITED TO THE WARRANTY OF MERCHANTABILITY OR FITNESS FOR A PARTICULAR PURPOSE. THE DURATION OF ANY IMPLIED WARRANTIES, INCLUDING ANY IMPLIED WARRANTY OF MERCHANTABILITY OR FITNESS FOR A PARTICULAR PURPOSE IS EXPRESSLY LIMITED TO THE DURATION OF THE WARRANTY PERIOD FOR THE APPLICABLE COMPONENT.

THE PURCHASER'S EXCLUSIVE REMEDY FOR BREACH OF THIS LIMITED WARRANTY OR OF ANY IMPLIED WARRANTY SHALL BE LIMITED AS SPECIFIED HEREIN TO REPLACEMENT. IN NO CASE SHALL KAMADO JOE® BE LIABLE FOR ANY SPECIAL, INCIDENTAL OR CONSEQUENTIAL DAMAGES.

This warranty is provided to you in addition to all rights and remedies conveyed to you by consumer protection laws and regulations. This warranty in no way affects your legal rights under statutory warranty regulations in your state or country of residence. Depending on your state or country of residence limitations on the length of an implied warranty or the damages available to you might not be limited by this warranty.

What Will Void the Warranty?

Purchasing any Kamado Joe® product through an unauthorized dealer voids the warranty. An unauthorized dealer is defined as any retailer who has not been expressly granted permission by Kamado Joe® to sell Kamado Joe® products.

NEED ASSISTANCE? CONTACT US

Our warranty terms may change from time to time. For an updated version of our warranty, visit www.kamadojoe.com/pages/warranty. For assistance or to request an updated copy of our warranty, contact us at the below.

North America

North America
Kamado Joe®
Premier Specialty Brands, LLC
5367 New Peachtree Road, Suite
150, Chamblee, GA 30341
<https://www.kamadojoe.com/pages/support>

European Union

Kamado Joe Europe
Lange Voorhout 86, 2514 EJ
Den Haag, Netherlands
<https://international.kamadojoe.com/pages/support>

United Kingdom

Kamado Joe UK Limited
Cheyenne House West Street,
Farnham GU9 7EQ
<https://international.kamadojoe.com/pages/support>

Australia & New Zealand

Please contact your retailer.

WARRANTY FOR COMMERCIAL USE

Each Kamado Joe ceramic grill and smoker used in a commercial setting is warranted to be free from defects in materials and workmanship under normal and reasonable commercial use for a period of one (1) year from the date of purchase to the original purchaser or owner who purchased the product from an Authorized Dealer and registered their Warranty as required (the "Commercial Warranty") This one (1) year Commercial Warranty covers all parts of the Kamado Joe including without limitation, the ceramic dome and base, and all other ceramic, metal and accessory components from manufacturing, workmanship or materials defects.

This warranty does not apply to damage caused by abuse or use of the product for purposes other than that for which it is designed, damage caused by lack of proper use, assembly, maintenance or installation, damages caused by accidents or natural disasters, damage caused by unauthorized attachments or modifications, or damage during transport (such as use in mobile or pop-up restaurants, or within food trucks or other mobile cooking kitchens). This warranty does not cover damage from normal wear and tear from use of the product (for example, scratches, dents, dings and chipping) or changes in the appearance of the grill that do not affect its performance.

THIS LIMITED WARRANTY IS EXCLUSIVE AND IN LIEU OF ANY OTHER WARRANTY, WRITTEN OR ORAL, EXPRESS OR IMPLIED, INCLUDING BUT NOT LIMITED TO THE WARRANTY OF MERCHANTABILITY OR FITNESS FOR A PARTICULAR PURPOSE. THE DURATION OF ANY IMPLIED WARRANTIES, INCLUDING ANY IMPLIED WARRANTY OF MERCHANTABILITY OR FITNESS FOR A PARTICULAR PURPOSE IS EXPRESSLY LIMITED TO THE DURATION OF THE WARRANTY PERIOD FOR THE APPLICABLE COMPONENT.

KAMADOJOE®
FRENCH

POUR UNE UTILISATION EN EXTÉRIEUR SEULEMENT. NE PAS UTILISER À DES FINS COMMERCIALES.

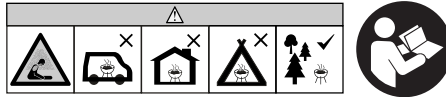
! AVERTISSEMENT !

- Ce manuel contient des informations qui sont nécessaires pour une utilisation sûre et appropriée de cet appareil.
- Lisez et suivez la totalité des avertissements et des instructions fournis avant d'assembler et d'utiliser l'appareil.
- Conservez ce manuel pour référence ultérieure.

! RISQUE LIÉ AU MONOXYDE DE CARBONE !

L'omission de vous conformer à ces instructions pourrait entraîner un incendie, une explosion ou un risque de brûlure, ce qui pourrait causer des dommages matériels, des blessures ou la mort.

- La combustion de copeaux de bois, de morceaux de bois, de granules de bois, de charbon de bois ou de propane dégage du monoxyde de carbone, qui n'a pas d'odeur et peut causer la mort.
- **NE PAS brûler de copeaux de bois, de morceaux de bois, de granules de bois, de charbon de bois ou de propane à l'intérieur d'habitats, de véhicules, de tentes, de garages ou d'espaces fermés.**
- Ne pas utiliser le barbecue dans un espace clos ou habitable, par exemple une maison, une tente, une roulotte, une maison mobile ou un bateau. Danger de décès causé par l'empoisonnement au monoxyde de carbone.
- **UTILISER UNIQUEMENT À L'EXTÉRIEUR** avec de bonnes conditions de ventilation.
- **RESPECTEZ CES DIRECTIVES POUR EMPÊCHER CE GAZ INCOLORE ET INODORE DE VOUS EMPOISONNER, VOUS, VOTRE FAMILLE OU D'AUTRES PERSONNES.**
 - Connaissiez les symptômes de l'empoisonnement au monoxyde de carbone : maux de tête, étourdissements, faiblesse, nausées, vomissements, somnolence et confusion. Le monoxyde de carbone réduit la capacité du sang à transporter l'oxygène. Un faible taux d'oxygène dans le sang peut entraîner une perte de conscience et la mort.
 - Consultez un médecin si d'autres personnes ou vous développez des symptômes du rhume ou de la grippe pendant que vous cuisinez ou vous vous trouvez près de cet appareil. L'empoisonnement au monoxyde de carbone, que l'on peut facilement méprendre pour un rhume ou une grippe, est souvent détecté trop tard.
 - La consommation d'alcool et de drogues aggrave les effets de l'empoisonnement au monoxyde de carbone.
 - *Le monoxyde de carbone est particulièrement toxique pour la mère et l'enfant pendant la grossesse, les nourrissons, les personnes âgées, les fumeurs et les personnes souffrant de problèmes sanguins ou circulatoires, tels que l'anémie ou les maladies cardiaques.*



! AVERTISSEMENTS ET MISES EN GARDE IMPORTANTES !

LISEZ TOUTES LES INSTRUCTIONS

- Ne pas laisser le barbecue sans surveillance.
- Ce barbecue est conçu pour une UTILISATION DOMESTIQUE À L'EXTÉRIEUR SEULEMENT.
- Ne pas l'utiliser à l'intérieur !
- N'utiliser que du charbon de bois comme combustible.
- Ne pas utiliser le barbecue lorsque le temps est très venteux !
- Fermer le couvercle et les entrées d'air pour aider à étouffer la flamme.
- Ne modifier ce barbecue d'aucune façon.
- Ne pas dépasser une température de 398 °C (750 °F).
- Toujours utiliser le barbecue conformément à tous les codes de prévention des incendies municipaux, provinciaux et fédéraux applicables.
- Tout manquement à respecter les avertissements pourrait causer des dommages au barbecue ou des blessures à l'utilisateur.
- Ne jamais utiliser le barbecue dans un lieu fermé, comme un patio, un garage, un édifice ou une tente.
- Ne jamais utiliser le barbecue à l'intérieur ou dans un véhicule récréatif ou un bateau.
- Ne pas utiliser le barbecue dans un espace clos ou habitable, par exemple une maison, une tente, une roulotte, une maison mobile ou un bateau. Danger de décès causé par l'empoisonnement au monoxyde de carbone.
- Garder une distance minimale de 3 m (10 pi) entre l'appareil et une structure surélevée, un mur, une rampe ou une autre installation quelconque.
- Garder une distance minimale de 3 m (10 pi) entre l'appareil et tout matériau combustible comme le bois, les plantes sèches, le gazon, la broussaille et le papier.
- Ne jamais utiliser le barbecue sous une structure surélevée comme une couverture, un abri pour voiture, une marquise ou un porte-à-faux. (VOIR LES EXIGENCES EN MATIÈRE DE PROXIMITÉ STRUCTURELLE).
- Garder le barbecue à distance de tout matériau combustible comme l'essence ou les autres vapeurs et liquides inflammables.
- Mettre le barbecue sur une surface stable, plate et non combustible comme la terre battue, le béton, la brique ou la pierre. Il est possible qu'une surface en asphalte (revêtement hydrocarboné) ne convienne pas.
- Ne pas utiliser le barbecue sur des surfaces en bois ou inflammables.
- Le barbecue DOIT être posé sur le sol. Ne pas poser le barbecue sur une table ou un comptoir. NE PAS déplacer le barbecue sur des surfaces inégales.

**AVERTISSEMENTS ET MISES EN GARDE IMPORTANTES**

- Il ne faut faire rouler le barbecue que sur une surface plate.
- Il ne faut jamais faire rouler le barbecue dans des escaliers ou sur des surfaces inégales.
- Ne jamais utiliser le barbecue comme appareil de chauffage (LIRE DANGER LIÉ AU MONOXYDE DE CARBONE).
- Utiliser le barbecue uniquement pour la fonction pour laquelle il a été conçu. Ce barbecue n'est PAS destiné à un usage commercial.
- Conservez toujours un extincteur à portée de la main pendant que vous utilisez le barbecue.
- Lorsque vous préparez des aliments avec de l'huile ou de la graisse, conservez un extincteur de type BC ou ABC à portée de la main.
- Ne pas tenter d'éteindre un feu d'huile ou de graisse avec de l'eau. Appeler immédiatement les pompiers. Un extincteur de type BC ou ABC peut parfois confiner l'incendie.
- Avant toute utilisation, vérifier la totalité des écrous, des vis et des boulons afin de vous assurer qu'ils sont bien serrés.
- La consommation d'alcool ou de médicaments, sous ordonnance ou en vente libre, peut affecter la capacité de l'utilisateur à assembler correctement le barbecue ou à le faire fonctionner de manière sûre.
- Garder les enfants et les animaux à distance du barbecue en tout temps. NE PAS laisser les enfants utiliser le barbecue. Une surveillance attentive est nécessaire si des enfants ou des animaux se trouvent à proximité du barbecue pendant son utilisation.
- Ne permettre à PERSONNE de mener des activités autour du barbecue pendant ou après son fonctionnement, tant qu'il n'a pas refroidi.
- NE PAS heurter ou bousculer le barbecue, car cela pourrait causer des blessures, endommager le barbecue ou renverser des liquides de cuisson chauds.
- Il faut faire preuve d'une extrême prudence en déplaçant un appareil contenant de l'huile chaude ou d'autres liquides chauds.
- Ne jamais déplacer le barbecue pendant l'utilisation. Attendez que le barbecue ait refroidi complètement (température inférieure à 45 °C ou 115 °F) avant de le déplacer ou de l'entreposer.
- Le barbecue est CHAUD en cours d'utilisation et restera CHAUD pendant un certain temps ensuite et pendant le refroidissement. Faire preuve de PRUDENCE. Porter des gants de protection.
- Ne pas toucher de surfaces CHAUDES. Utiliser les poignées ou les boutons.
- Ne jamais mettre d'articles de cuisine en verre, en plastique ou en céramique dans le barbecue. Ne jamais mettre d'articles de cuisine vides dans le barbecue pendant son utilisation.
- L'utilisation d'accessoires non fournis par Kamado Joe® n'est PAS recommandée et peut provoquer des blessures.
- Ne pas ranger le barbecue s'il contient encore des cendres ou du charbon chauds. Ne le ranger qu'une fois que le feu est complètement éteint et que toutes les surfaces ont refroidi.
- Faites preuve de prudence lorsque vous retirez des aliments du barbecue. Toutes les surfaces sont CHAUDES et peuvent provoquer des brûlures. Utilisez des mitaines/gants de protection ou des ustensiles de cuisine robustes à manche long pour vous protéger des surfaces chaudes ou des éclaboussures provenant des liquides de cuisson.
- Le barbecue est chaud lorsqu'il est en marche. Garder le visage et le corps loin de la porte et des événements. L'utilisation génère de la vapeur et de l'air chaud.
- NE PAS obstruer la circulation des gaz de combustion ou les orifices de ventilation.
- Ne pas couvrir les grilles de cuisson avec des feuilles métalliques. Cela emprisonne la chaleur et pourrait endommager le barbecue.
- Ne jamais laisser des braises ou des cendres CHAUDES sans surveillance.
- Ne pas enlever le bac à cendres lorsque les cendres et le charbon de bois sont CHAUDS.
- Le barbecue produit une flamme nue. Garder les mains, les cheveux et le visage à distance de la flamme. NE vous penchez PAS au-dessus du barbecue pendant que vous l'allumez. Les cheveux non attachés et les vêtements amples peuvent s'enflammer.
- Portez des gants de protection lorsque vous manipulez ce barbecue ou vous travaillez avec du feu. Utilisez des gants de protection ou des outils pour foyer longs et résistants lors de l'ajout de bois ou de charbon de bois.
- Les entrées d'air sont CHAUDES pendant l'utilisation et le refroidissement du barbecue ; portez des gants de protection lorsque vous les ajustez.
- L'évent supérieur et le clapet à air inférieur sont CHAUDS pendant l'utilisation et le refroidissement du barbecue ; portez des gants de protection lorsque vous les ajustez.
- La grille de cuisson est CHAUDE lorsque le barbecue est utilisé et pendant le refroidissement ; faites preuve d'une extrême prudence, si vous touchez la grille de cuisson, portez des gants de protection ou utilisez un outil solide à manche long.
- Ne pas cuisiner avant que le charbon ne soit couvert d'une couche de cendres.
- Il faut que le barbecue ait chauffé et que le combustible reste chauffé au rouge pendant au moins 30 minutes avant la première cuisson.
- Ne jamais utiliser de liquide d'allumage pour charbon de bois, d'essence, d'alcool ou d'autres fluides extrêmement volatils pour allumer le charbon de bois. Ces liquides peuvent exploser et causer des blessures ou la mort.
- Ne jamais trop remplir la grille à charbon. Cela peut causer des blessures graves et endommager le barbecue.
- Ne jamais utiliser plus que la quantité recommandée de charbon de bois (voir ci-dessous).
- AVERTISSEMENT ! Ce barbecue deviendra très chaud, ne pas le déplacer pendant qu'il fonctionne.
- AVERTISSEMENT ! Éloigner les enfants et les animaux de compagnie.
- AVERTISSEMENT ! Ne pas utiliser d'essence minérale ou de pétrole pour allumer ou rallumer l'appareil ! N'utiliser que des allume-feu qui respectent la norme EN 1860-3 !
- Ne jamais rajouter de liquide d'allumage une fois que le charbon de bois a pris feu. Suivez les instructions sur le contenant de liquide d'allumage.
- Mettre au rebut les cendres froides en les enveloppant dans une feuille d'aluminium, puis en trempant le tout dans de l'eau avant de le jeter dans un récipient non combustible.
- Garder le couvercle fermé pendant l'allumage.
- Lorsque vous cuisinez à une température supérieure à 175 °C (350 °F), **ouvrez lentement et avec précaution le couvercle du barbecue de 5 à 8 cm (2 à 3 po) et « dépressurisez » le barbecue pendant 5 secondes** à chaque fois que vous soulevez le dôme. Cela prévient un retour de flamme, c'est-à-dire une vague de chaleur blanche causée par une ruée d'oxygène.

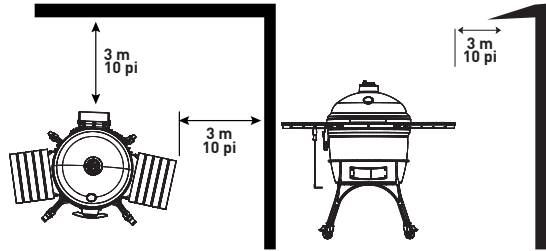
NE PAS DÉPASSER UN TOTAL DE 4,5 KG/10 LB DE CHARBON DE BOIS DANS LA CHAMBRE DE COMBUSTION PRINCIPALE

**EXIGENCES EN MATIÈRE DE PROXIMITÉ STRUCTURELLE**

Gardez une distance minimale de 3 m (10 pi) entre l'arrière, les côtés et le dessus du barbecue et toute structure surélevée, un mur, une rampe ou d'autres matériaux de construction combustibles.

Gardez une distance minimale de 3 m (10 pi) entre l'appareil et tout matériau combustible et inflammable comme le bois, les plantes, le gazon, la broussaille, le papier, l'essence ou la toile.

Ce dégagement fournit un espace suffisant pour assurer une combustion, une circulation de l'air et une ventilation appropriées. Le barbecue ne doit pas être utilisé sur des matières combustibles comme les terrasses et d'autres matières combustibles.

**CONSERVEZ CES INSTRUCTIONS.**

Ce produit n'est pas livré avec du charbon de bois ou des morceaux de bois.

INSTALLATION DU BARBECUE

DÉBALLAGE

1. Coupez les bandes de plastique et ouvrez le conteneur d'expédition.
2. Mettez de côté toutes les boîtes et tous les matériaux d'emballage.
3. Ouvrez le dôme du barbecue et retirez tous les composants intérieurs. Faites preuve de prudence et manipulez les composants avec précaution. La céramique est cassable.

MÉTHODE DE LEVAGE

Une fois que les composants intérieurs du barbecue ont été enlevés, soulevez le barbecue pour le sortir du conteneur et mettez-le dans le chariot, la table ou le support. Avant le levage, assurez-vous que tous les écrous de la bande et des charnières sont bien serrés.

- En raison de son poids, le levage du barbecue doit être effectué par au moins deux personnes.
- **Soulevez le barbecue en utilisant la charnière arrière et l'ouverture inférieure à l'avant comme points de levage. Portez des gants de protection lorsque vous soulevez le barbecue et faites preuve d'une extrême prudence, car certains composants peuvent être tranchants.**
- NE PAS soulever le barbecue sans avoir au moins deux personnes.

INSTALLATION

Installez le barbecue sur une surface solide et plane, bien abrité contre le vent.

Ne déplacez pas le barbecue pendant qu'il est chaud et ne le laissez pas sans surveillance pendant qu'il fonctionne.

Cet appareil est conçu pour être utilisé à l'extérieur, à l'écart de tout matériau inflammable. Il est important de ne pas le placer sous une structure surélevée et de garder une distance minimale de 3 m (10 pi) sur les côtés ou à l'arrière de l'appareil. Il est important que les ouvertures de ventilation de l'appareil ne soient pas obstruées. Le barbecue doit être utilisé sur une surface plane et stable. L'appareil doit être protégé contre les courants d'air directs et placé ou protégé contre la pénétration directe par l'eau qui coule (p. ex., la pluie).

GUIDE D'INTÉGRATION

NOTES IMPORTANTES POUR L'INSTALLATION :

Veuillez utiliser ceci comme un guide général pour l'installation de votre Kamado Joe dans une cuisine extérieure ou une table à barbecue intégrée. Nous recommandons fortement de mesurer le barbecue réel qui sera installé.

La table doit être fixée sur le sol ou un mur. Des matériaux de construction ininflammables sont suggérés pour la construction.

EXIGENCES RELATIVES À LA TABLE :

MATÉRIAUX : Assurez-vous que les matériaux sont non combustibles et peuvent supporter des températures élevées.

BASE : Assurez-vous que le support du Kamado Joe Jr est utilisé ou qu'un espace d'air est créé sous le barbecue. Ne PAS poser le barbecue directement sur la surface de la table sans laisser un espace d'air.

ACCÈS : Assurez-vous qu'il y a un accès par l'avant afin que l'évent inférieur ne soit pas bloqué.

DÉGAGEMENT : Assurez-vous qu'il y a de l'espace entre le dessus de la table et le bord du barbecue. Le dessus de la table NE DOIT PAS être en contact direct avec le barbecue.

Mode d'emploi

CHAUFFAGE INITIAL

Kamado Joe fabrique ses produits avec soin. L'apprêtage n'est PAS nécessaire pour la première utilisation de votre Kamado Joe. Nous vous recommandons toutefois de suivre les étapes ci-dessous pour votre premier chauffage.

1. Assurez-vous que toutes les pièces sont bien serrées avant de mettre le barbecue en marche. Veillez à vérifier toutes les bandes et les charnières.
2. Lavez les grilles de cuisson avec un détergent à vaisselle doux et laissez-les sécher.
3. Allumez le barbecue en suivant les instructions d'ALLUMAGE. Faites un feu de petite taille ou de taille moyenne.
 - N'utilisez pas plus de 4,5 kg / 10 lb de charbon de bois.
 - Mettez toujours le charbon de bois sur le plateau à charbon de bois.
4. Gardez le barbecue à une température inférieure à 204 °C (400 °F) pendant 1 heure pour la première combustion ou cuisson.
5. Après la première heure, vous pouvez éteindre le barbecue.

APRÈS LE PREMIER CHAUFFAGE : En raison de la nature de la dilatation et de la contraction thermique, certains ajustements ou resserrements peuvent être nécessaires après le premier chauffage.

- **BANDES :** Vous remarquerez peut-être que vos bandes ont perdu de leur tension. Reportez-vous à la section de ce manuel consacrée au réglage des bandes pour vérifier la tension de vos bandes. Des ajustements réguliers sont tout à fait normaux.
- **CÉRAMIQUE :** Après la première cuisson, vous remarquerez peut-être de légères craquelures dans la porcelaine. Ce phénomène porte le nom de faïençage et est une caractéristique naturelle de la porcelaine.

INSTRUCTIONS D'ALLUMAGE

1. Avant de commencer à cuisiner, utilisez le racloir à cendre pour remuer le charbon de bois restant dans la chambre de combustion afin d'enlever toutes les cendres détachées. Celles-ci tomberont au travers de la grille à feu.
2. Jetez toutes les cendres détachées. Mettez au rebut les cendres froides en les enveloppant dans une feuille d'aluminium, puis en trempant le tout dans de l'eau avant de le jeter dans un récipient non combustible.
3. Ajoutez du charbon de bois à votre barbecue et allumez-le en utilisant un ou deux allume-feu.
4. Laissez le dôme et l'évent inférieur complètement ouverts pendant 10 minutes. Laissez le charbon de bois s'allumer.
5. Une fois que le charbon de bois est allumé, fermez le dôme.
6. Commencez à fermer et à ajuster l'évent supérieur et l'évent inférieur lorsque la température du dôme est à 10 °C (50 °F) de votre température cible.
7. Parce que votre barbecue Kamado Joe est si bien isolé, il peut prendre un certain temps pour préchauffer complètement. Prévoyez entre 20 et 60 minutes pour que la température du barbecue se stabilise et que la céramique chauffe avant de commencer la cuisson.

REMARQUE : Parce que la céramique retient si bien la chaleur, n'augmentez la température de votre barbecue que lentement. Il est beaucoup plus facile d'augmenter légèrement la température que de l'abaisser après un dépassement.

Mode d'emploi

MAINTIEN DE LA TEMPÉRATURE

CIRCULATION DE L'AIR :

Pour contrôler la température de votre barbecue, vous devez contrôler la circulation de l'air qui arrive au feu. En ouvrant et en fermant les clapets à air supérieur et inférieur, vous pouvez ajuster la température de votre barbecue.

- PLUS D'AIR = PLUS DE CHALEUR (ouvrez les événements)
- MOINS D'AIR = MOINS DE CHALEUR (fermez les événements)

CHARBON DE BOIS :

La quantité de charbon de bois utilisée pour les grillades peut également avoir un effet important sur votre capacité à contrôler la température. Plus il y a de charbon de bois qui s'enflamme, plus le barbecue peut être chaud.

- PLUS DE CHARBON DE BOIS = PLUS DE CHALEUR
- MOINS DE CHARBON DE BOIS = MOINS DE CHALEUR

NOTES SUR LE MAINTIEN DE LA TEMPÉRATURE :

- Les ajustements des événements et des clapets à air n'ont pas un effet immédiat. Soyez patient : prévoyez 10 à 15 minutes après un ajustement pour que le changement de température prenne effet.
- Parce que la céramique retient si bien la chaleur, n'augmentez la température de votre barbecue que lentement. Il est beaucoup plus facile d'augmenter légèrement la température que de l'abaisser après un dépassement.

SUGGESTIONS POUR LA CUISSON

DÉPRESSURISATION DU BARBECUE :

Lorsque vous cuisinez à une température supérieure à 175 °C (350 °F), ouvrez lentement et avec précaution le couvercle du barbecue de 5 à 8 cm (2 à 3 po) et « dépressurisez » le barbecue pendant 5 secondes à chaque fois que vous soulevez le dôme. Cela préviendra un retour de flamme, c'est-à-dire une vague de chaleur blanche causée par une ruée d'oxygène.

LIQUIDES :

Ne pas renverser de liquides à l'intérieur du barbecue ou sur celui-ci pendant qu'il est chaud.

ARRÊT

1. Lorsque vous avez fini de cuisiner, fermez complètement l'événement inférieur.
2. Nettoyez les grilles du barbecue au moyen d'un racloir ou d'un chiffon humide. Fuyez preuve de PRUDENCE, elles seront chaudes.
3. Une fois que la température est tombée à moins de 205 °C (400 °F), fermez l'événement supérieur.
4. Ne couvrez pas le barbecue et ne le nettoyez pas tant que le dôme n'est pas frais au toucher (45 °C / 115 °F).
5. Veuillez consulter les instructions de nettoyage et d'entretien pour obtenir de plus amples renseignements sur les étapes de nettoyage.

Nettoyage et entretien

CHAQUE CUISSON

Nous avons conçu et fabriqué votre barbecue Kamado Joe avec des matériaux de qualité afin de minimiser l'entretien et le nettoyage généraux. La meilleure façon de protéger votre Kamado Joe contre les éléments consiste à utiliser une housse.

1. Avant de procéder au nettoyage, assurez-vous que votre barbecue a complètement refroidi et que le charbon de bois est complètement éteint.
2. Utilisez le racloir à cendre pour remuer le charbon de bois restant dans la chambre de combustion afin d'enlever toutes les cendres détachées. Celles-ci tomberont au travers de la grille à feu.
3. Jetez toutes les cendres détachées. Mettez au rebut les cendres froides en les enveloppant dans une feuille d'aluminium, puis en trempant le tout dans de l'eau avant de le jeter dans un récipient non combustible.
4. Essuyez l'extérieur de votre barbecue avec un chiffon humide pour enlever les ingrédients renversés et les débris. Ne frottez pas excessivement le joint d'étanchéité, car cela pourrait l'endommager. Le joint d'étanchéité sera nettoyé par le cycle naturel de la chaleur lorsque vous utiliserez votre barbecue.
5. Couvrez votre barbecue avec une housse de barbecue et entreposez-le dans un endroit frais et sec.

REMARQUE : Lorsque votre déflecteur de chaleur devient sale lors d'une utilisation normale, retournez-le afin que le côté sale soit vers le bas pendant la prochaine cuisson. La chaleur du feu nettoie automatiquement ce côté du déflecteur de chaleur.

AUTONETTOYAGE

Il est recommandé d'effectuer ces étapes au besoin. La fréquence de nettoyage varie en fonction de la fréquence d'utilisation de votre Kamado Joe et de votre environnement. Si des moisissures apparaissent à l'intérieur de votre barbecue, il est recommandé d'effectuer les étapes d'autonettoyage ci-dessous.

Ce processus brûlera tout résidu indésirable logé à l'intérieur de votre barbecue. Une fois que vous avez effectué les étapes ci-dessus et avant de cuisiner de nouveau, utilisez une brosse à soies souples sur les pièces en céramique et les déflecteurs de chaleur pour enlever les résidus.

1. Enlevez les grilles de cuisson et lavez-les au moyen d'un détergent à vaisselle doux. Les grilles de cuisson resteront enlevées pendant cette session de nettoyage.
2. Ajoutez du charbon de bois et allumez le barbecue.
3. Installez le support pour accessoires et le déflecteur de chaleur sur le support pour accessoires – placez le déflecteur de chaleur dans le barbecue avec le côté sale vers le bas.
4. Ouvrez complètement les événements supérieur et inférieur et laissez la température à l'intérieur du barbecue s'élever à 315 °C (600 °F) avec le dôme fermé.
5. Maintenez la température à environ 315 °C (600 °F) pendant 15 à 20 minutes ou jusqu'à ce qu'aucune fumée ne soit visible.
6. Fermez complètement l'événement inférieur. Une fois que la température est tombée à moins de 205 °C (400 °F), fermez complètement l'événement supérieur.
7. Laissez le barbecue s'éteindre.

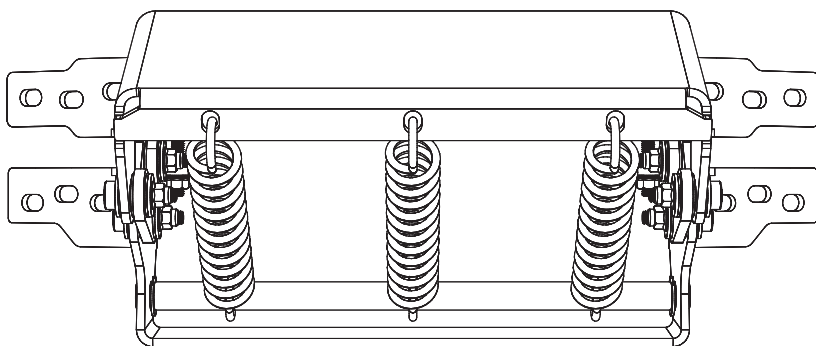
NETTOYAGE EN PROFONDEUR

Une ou deux fois l'an, vous devriez faire un plus gros nettoyage de l'intérieur du barbecue.

1. Avant de procéder au nettoyage, assurez-vous que votre barbecue a complètement refroidi et que le charbon de bois est complètement éteint.
2. Retirez les composants internes et retirez les cendres ou débris résiduels qui se sont accumulés entre le bâti du barbecue et les composants internes.
3. Utilisez une brosse à soies en plastique pour nettoyer l'intérieur en céramique.
4. Retirez ou aspirez les débris du fond du barbecue.
5. Essuyez la charnière et l'extérieur de votre barbecue.
6. Remplacez tous les composants internes et préparez-vous à la prochaine cuisson.

Détachement de la charnière du barbecue KAMADO Big Joe I

La charnière de votre BIG JOE I est préajustée pour vous offrir équilibre et stabilité. Suivez ces instructions pour détacher la charnière.



DÉTACHER LA CHARNIÈRE EN DÉVISSANT LA QUINCAILLERIE DES CÔTÉS DROIT ET GAUCHE. VOIR LA FIGURE 1.

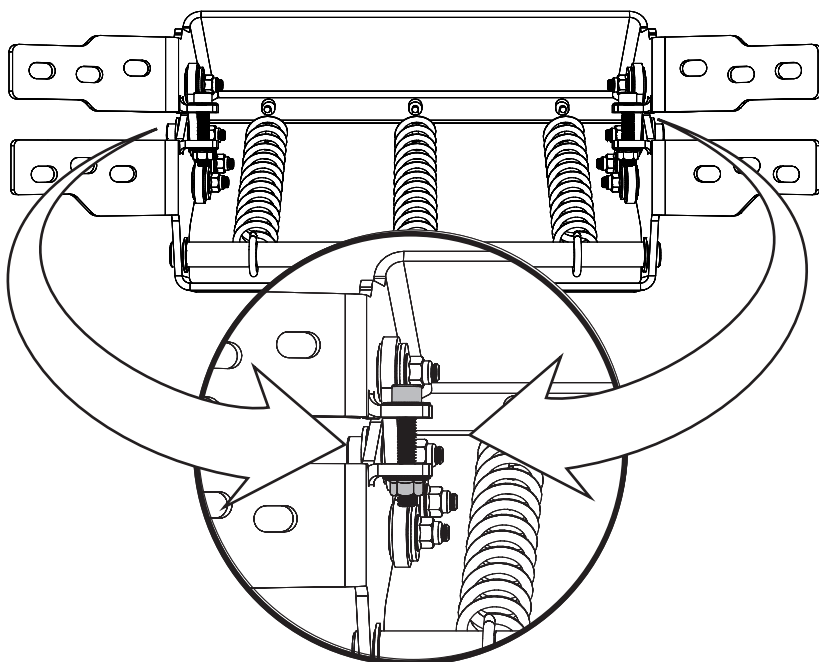
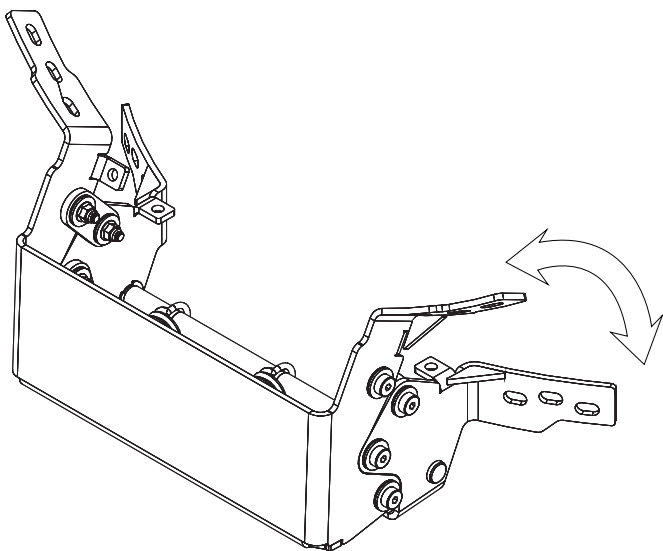
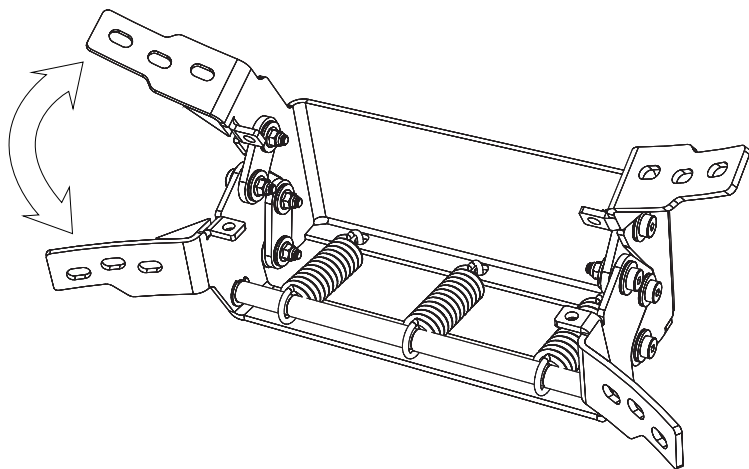


FIGURE 1.



UNE FOIS LA QUINCAILLERIE DE DÉTACHEMENT RETIRÉE, LA CHARNIÈRE EST LIBRE DE SE DÉPLACER DE HAUT EN BAS.



CONSERVER LA QUINCAILLERIE DE DÉTACHEMENT. NE PAS LA JETER. LA QUINCAILLERIE SERA UTILISÉE S'IL DEVIENT NÉCESSAIRE DE REMPLACER LA CHARNIÈRE.

GARANTIE LIMITÉE

Cette garantie s'applique à tous les produits Kamado Joe®.

Garantie à vie limitée sur les pièces en céramique

Kamado Joe® garantit que les principales pièces en céramique utilisées dans ce barbecue et fumoir Kamado Joe® seront exemptes de défauts de matériel et de fabrication tant et aussi longtemps que le propriétaire d'origine possède le barbecue.

Garantie de 5 ans sur les pièces en métal et les grils Kettle Joe

Kamado Joe® garantit que les principales pièces en métal et en fonte utilisées dans ce barbecue et fumoir Kamado Joe® seront exemptes de défauts de matériel et de fabrication pendant cinq (5) ans.

Garantie de 3 ans sur les composants électroniques, les déflecteurs de chaleur et les pierres à pizza

Kamado Joe® garantit que les composants électroniques de ce barbecue et fumoir Kamado Joe® seront exemptes de défauts de matériel et de fabrication pendant trois (3) ans.

Garantie de 2 ans sur les composants divers et les accessoires autonomes

Kamado Joe® garantit que les composants divers utilisés dans ce barbecue et fumoir Kamado Joe® (y compris, notamment, le thermomètre, les joints d'étanchéité et les contrôleurs iKamand), et les accessoires Kamado Joe seront exemptes de défauts de matériel et de fabrication pendant deux (2) ans.

Garantie limitée pour utilisation commerciale

Cette garantie suppose une utilisation domestique normale et raisonnable combinée à un bon entretien de tous les produits Kamado Joe®. Cette garantie ne s'applique pas aux utilisations commerciales, par exemple par les traiteurs, les bouchers, les entreprises de location et les camions de restauration. Kamado Joe® garantit que tous les barbecues et fumoirs Kamado Joe® utilisés commercialement seront exemptes de défauts de matériel et de fabrication pendant un (1) an.

Quand commence la couverture de garantie ?

La couverture de garantie commence à la date de l'achat original et couvre seulement le propriétaire d'origine. Pour que la garantie s'applique, vous devez enregistrer votre produit Kamado Joe® utilisant la page d'enregistrement du produit sur notre site Web. Si vous découvrez un défaut de matériel ou de fabrication durant la période de garantie applicable dans des conditions normales d'utilisation et d'entretien, Kamado Joe® remplacera ou réparera, à son entière discrétion, le composant défectueux sans vous facturer de frais pour le composant lui-même. Cette garantie ne s'applique pas à la main-d'œuvre ou à tout autre coût associé à l'entretien, à la réparation ou au fonctionnement du barbecue. Kamado Joe paiera tous les frais d'expédition des pièces sous garantie.

RÉSIDENTS DE L'AUSTRALIE SEULEMENT : Nos produits sont accompagnés de garanties qui ne peuvent être exclues en vertu de la Loi australienne sur la consommation. Vous avez droit au remplacement ou au remboursement des marchandises en cas de défaillance majeure et à une rémunération de toute autre perte ou de tout autre dommage raisonnablement prévisible. Vous avez également droit à la réparation ou au remboursement du produit si sa qualité n'est pas acceptable sans que la défaillance soit majeure.

Exclusions de la couverture

Cette garantie ne s'applique pas aux dommages causés par l'abus du produit ou son utilisation à des fins autres que celles pour lesquelles le barbecue a été conçu, aux dommages causés par une mauvaise utilisation ou installation ou par un assemblage ou un entretien inadéquats, aux dommages causés par des accidents ou des catastrophes naturelles, aux dommages causés par des modifications ou des attachements non autorisés, ou aux dommages subis durant le transport. Cette garantie ne couvre pas les dommages résultant de l'usure normale d'utilisation (par exemple les rayures, les coups, les bosses et l'écaillage) ou les changements dans l'apparence du barbecue qui n'affectent pas sa performance.

CETTE GARANTIE LIMITÉE EXCLUSIVE REMPLACE TOUTE AUTRE GARANTIE, ÉCRITE OU VERBALE, EXPRESSE OU IMPLICITE, INCLUANT, NOTAMMENT, LA GARANTIE DE QUALITÉ MARCHANDE OU D'ADAPTATION À UN USAGE PARTICULIER. LA DURÉE DE TOUTE GARANTIE IMPLICITE, INCLUANT TOUTE GARANTIE IMPLICITE DE QUALITÉ MARCHANDE OU D'ADAPTATION À UN USAGE PARTICULIER, EST EXPRESSÉMENT LIMITÉE À LA DURÉE DE LA PÉRIODE DE GARANTIE POUR LE COMPOSANT APPLICABLE.

LE RECOURS EXCLUSIF DU PROPRIÉTAIRE POUR LA VIOLATION DE CETTE GARANTIE LIMITÉE OU DE TOUTE GARANTIE IMPLICITE SERA LIMITÉ AU REMPLACEMENT, TEL QUE SPÉCIFIÉ PAR LA PRÉSENTE GARANTIE.

KAMADO JOE® NE SERA TENU RESPONSABLE EN AUCUN CAS DES DOMMAGES PARTICULIERS, ACCESSOIRES OU CONSÉCUTIFS.

Cette garantie vous est fournie en plus de tous les droits et recours qui vous sont conférés par les lois et les règlements de protection des consommateurs. Cette garantie n'affecte en rien vos droits légaux en vertu des règlements sur les garanties légales dans votre État ou votre pays de résidence. Selon votre État ou votre pays de résidence, les limitations de la durée d'une garantie implicite ou les dommages-intérêts dont vous disposez peuvent ne pas être applicables à cette garantie.

Annulation de la garantie

L'achat de tout produit Kamado Joe® chez un détaillant non autorisé annule la garantie. Un détaillant non autorisé est défini comme étant tout détaillant n'ayant pas été expressément autorisé par Kamado Joe® pour vendre les produits Kamado Joe®.

BESOIN D'AIDE ? COMMUNIQUEZ AVEC NOUS

Nos conditions de garantie peuvent être modifiées de temps à autre. Pour obtenir une version à jour de notre garantie, rendez-vous sur le site www.kamadojoe.com/pages/warranty. Pour toute assistance ou pour demander une copie à jour de notre garantie, communiquez avec nous à l'adresse ci-dessous.

Amérique du Nord

Amérique du Nord
Kamado Joe®
Premier Specialty Brands, LLC
5367 New Peachtree Road, Suite
150, Chamblee, GA 30341
<https://www.kamadojoe.com/pages/support>

Union européenne

Kamado Joe Europe
Lange Voorhout 86, 2514 EJ
La Haye, Pays-Bas
<https://international.kamadojoe.com/pages/support>

Royaume-Uni

Kamado Joe UK Limited
Cheyenne House West Street,
Farnham GU9 7EQ
<https://international.kamadojoe.com/pages/support>

Australie et Nouvelle-Zélande

Veuillez prendre contact avec votre détaillant.

GARANTIE COMMERCIALE:

Chaque barbecue et fumoir en céramique Kamado Joe utilisé à des fins commerciales est garanti contre les défauts de matériaux et d'exécution dans le cadre d'une utilisation commerciale normale et raisonnable pendant une période d'un (1) an à compter de la date d'achat pour l'acheteur ou le propriétaire initial qui a acheté le produit auprès d'un revendeur agréé et a enregistré sa garantie comme requis (la « garantie commerciale »). Cette garantie commerciale d'un (1) an couvre toutes les pièces du Kamado Joe, y compris, mais sans s'y limiter, le dôme et la base en céramique, ainsi que tous les autres composants en céramique, en métal et accessoires contre les défauts de fabrication, d'exécution ou de matériaux.

Cette garantie ne s'applique pas aux dommages causés par l'abus du produit ou son utilisation à des fins autres que celles pour lesquelles le barbecue a été conçu, aux dommages causés par une mauvaise utilisation ou installation ou par un assemblage ou un entretien inadéquats, aux dommages causés par des accidents ou des catastrophes naturelles, aux dommages causés par des modifications ou des attachements non autorisés, ou aux dommages subis durant le transport (par exemple, une utilisation dans des restaurants mobiles ou éphémères, ou dans des camions-restaurants ou autres cuisines mobiles). Cette garantie ne couvre pas les dommages résultant de l'usure normale d'utilisation (par exemple les rayures, les coups, les bosses et l'écaillage) ou les changements dans l'apparence du barbecue qui n'affectent pas sa performance.

CETTE GARANTIE LIMITÉE EXCLUSIVE REMPLACE TOUTE AUTRE GARANTIE, ÉCRITE OU VERBALE, EX-PRESSE OU IMPLICITE, INCLUANT, NOTAMMENT, LA GARANTIE DE QUALITÉ MARCHANDE OU D'ADAP-TION À UN USAGE PARTICULIER. LA DURÉE DE TOUTE GARANTIE IMPLICITE, INCLUANT TOUTE GARANTIE IMPLICITE DE QUALITÉ MARCHANDE OU D'ADAPTATION À UN USAGE PARTICULIER, EST EXPRESSÉMENT LIMITÉE À LA DURÉE DE LA PÉRIODE DE GARANTIE POUR LE COMPOSANT APPLICABLE.

KAMADOJOE®
SPANISH

SÓLO PARA USO EN EXTERIORES. NO PARA USO COMERCIAL.



ADVERTENCIA



- Este manual contiene información importante necesaria para el correcto ensamblaje y uso seguro del aparato.
- Lea y siga todas las advertencias e instrucciones antes de ensamblar y usar el aparato.
- Conserve este manual para referencia en el futuro.

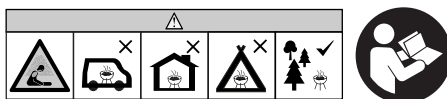


PELIGRO DE MONÓXIDO DE CARBONO



Si no sigue estas instrucciones, podría producirse un peligro de incendio, explosión o quemadura, lo cual podría causar daños a la propiedad, lesiones personales o la muerte.

- Quemar trozos de madera, leños de madera, perlas de madera, carbón vegetal y propano produce monóxido de carbono que no tiene olor y puede causar la muerte.
- NO queme trozos de madera, leños de madera, perlas de madera, carbón vegetal o propano dentro de viviendas, vehículos, tiendas para camping, garajes o cualquier área cerrada.
- No use la parrilla en un espacio confinado y/o habitable, p. ej. en casas, tiendas, remolques, casas rodantes, botes. Peligro: Muerte por envenenamiento por monóxido de carbono.
- USE SOLAMENTE AL AIRE LIBRE donde está bien ventilado.
- **SIGA ESTAS PAUTAS PARA EVITAR QUE ESTE GAS INCOLORO E INODORO LO INTOXIQUE A USTED, A SU FAMILIA O A OTRAS PERSONAS.**
 - Identifique los síntomas de intoxicación por monóxido de carbono: dolor de cabeza, mareos, debilidad, náuseas, vómitos, somnolencia y confusión. El monóxido de carbono reduce la capacidad de la sangre de transportar el oxígeno. Los niveles bajos de oxígeno en la sangre pueden provocar pérdida de la consciencia y muerte.
 - Consulte con un médico si usted u otras personas desarrollan síntomas similares a una gripe o resfrío mientras cocina cerca de este artefacto. La intoxicación por monóxido de carbono, la cual puede confundirse con una gripe o resfrío, con frecuencia se detecta demasiado tarde.
 - El consumo de alcohol y medicinas aumenta los efectos de la intoxicación por monóxido de carbono.
 - *El monóxido de carbono es especialmente tóxico para la madre y el bebé durante el embarazo, los niños, los ancianos, los fumadores y las personas con problemas en la sangre o del sistema circulatorio, como asma o enfermedad cardíaca.*



ADVERTENCIAS Y SALVAGUARDAS IMPORTANTES



LEA TODAS LAS INSTRUCCIONES

- No deje la parrilla desatendida.
- La parrilla es sólo PARA USO CASERO EN EXTERIORES.
- ¡No usar en interiores!
- Use solamente carbón para combustible.
- ¡No use la parrilla cuando haya fuertes vientos!
- Cierre la tapa y los reguladores para ayudar a sofocar la llama.
- No modifique esta parrilla de ninguna forma.
- No exceda una temperatura de 750 °F (398 °C) o más.
- Siempre use la parrilla en conformidad con todos los códigos contra incendios locales, estatales y federales aplicables.
- Puede resultar un daño potencial a la parrilla o un daño al usuario si no se siguen las advertencias.
- Nunca lo use dentro de áreas cerradas como patios, garajes, edificios o tiendas.
- Nunca la use dentro o sobre botes o vehículos recreativos.
- No use la parrilla en un espacio confinado y/o habitable, p. ej. en casas, tiendas, remolques, casas rodantes, botes. Peligro: Muerte por envenenamiento por monóxido de carbono.
- Mantenga una distancia mínima de 3 m de construcciones aéreas, paredes, rieles u otras estructuras.
- Mantenga un mínimo de 3 m de espacio libre de todos los materiales combustibles como madera, plantas secas, césped, escobillas, papel.
- Nunca opere la parrilla bajo ninguna construcción aérea, como cubiertas de techos, porches de autos, toldos o voladizos. (VER REQUISITOS DE PROXIMIDAD ESTRUCTURAL).
- Mantenga la parrilla despejada y libre de materiales combustibles, como gasolina y otros vapores y líquidos inflamables.
- Use la parrilla sobre una superficie no combustible y estable tal como tierra, concreto, ladrillo o piedra. Mejor no utilizar una superficie de asfalto (bituminosa) para este propósito.
- No use la parrilla en superficies de madera o inflamables.
- La parrilla DEBE estar sobre el suelo. No coloque la parrilla en mesas o mostradores. NO mueva la parrilla por superficies desniveladas.

**ADVERTENCIAS Y SALVAGUARDAS IMPORTANTES**

- La parrilla solo debe deslizarse sobre una superficie lisa.
- La parrilla nunca debe deslizarse escaleras arriba/abajo o por superficies desiguales.
- Nunca utilice la parrilla como un calentador (LEER PELIGRO DE MONÓXIDO DE CARBONO).
- Nunca use la parrilla para ninguna otra cosa que no sea su propósito intencionado. Esta parrilla NO es para uso comercial.
- Conserve un extintor de incendios accesible en todo momento mientras opere la parrilla.
- Cuando cocine con aceite o grasa, tenga un extintor tipo BC o ABC a disponibilidad.
- En caso de un incendio de aceite o grasa, no intente extinguirlo con agua. Llame inmediatamente al departamento de bomberos. En ciertos casos, un extintor tipo BC o ABC puede contener el incendio.
- Antes de cada uso, verifique todas las tuercas, tornillos y pernos para asegurarse que estén firmes y asegurados.
- El uso de alcohol y de medicamentos con o sin receta pueden obstaculizar la habilidad del usuario de ensamblar u operar correctamente la parrilla.
- Mantenga a los niños y mascotas lejos de la parrilla en todo momento. NO permita que los niños usen la parrilla. Es necesaria una supervisión cercana cuando haya niños o mascotas en el área donde se usa la parrilla.
- NO permita que nadie realice actividades alrededor de la parrilla durante o después de su uso hasta que se haya enfriado.
- NO choque o golpee la parrilla para evitar lesiones personales, daños a la parrilla o derrames/salpicaduras del líquido de cocción caliente.
- Se debe usar extrema precaución cuando se mueva un aparato que contenga aceite caliente u otros líquidos calientes.
- Nunca mueva la parrilla cuando esté en uso. Deje que la parrilla se enfríe completamente (por debajo de los 115 °F o 45°C) antes de moverla o guardarla.
- La parrilla está CALIENTE mientras está en uso y permanecerá CALIENTE por un cierto período de tiempo y durante el proceso de enfriamiento. Tenga PRECAUCIÓN. Use guantes/mitones de protección.
- No toque las superficies CALIENTES. Use las asas o las perillas.
- Nunca use recipientes de vidrio, plástico o cerámica en la parrilla. Nunca coloque utensilios vacíos en la parrilla mientras está en uso.
- No se recomienda usar accesorios adicionales no suministrados por Kamado Joe®; estos podrían causar lesiones.
- No almacene la parrilla con carbón o cenizas calientes dentro de ella. Almacene únicamente cuando el fuego esté totalmente apagado y todas las superficies estén frías.
- Tenga cuidado cuando retire los alimentos de la parrilla. Todas las superficies están CALIENTES y pueden causar quemaduras. Use guantes/mitones de protección o herramientas de cocción resistentes para protegerse de las superficies calientes o las salpicaduras de los líquidos de la cocción.
- La parrilla está caliente durante su uso. Mantenga el rostro y cuerpo lejos de la(s) puerta(s) y ductos. Se expelen vapor y aire caliente durante el uso.
- NO obstruya el flujo de combustión y ventilación.
- No cubra las rejillas de cocción con papel aluminio. Esto atraparé el calor y podría causar daños a la parrilla.
- Nunca desatienda el carbón o las cenizas CALIENTES.
- No retire la bandeja para cenizas mientras las cenizas y el carbón estén CALIENTES.
- La parrilla tiene una llama abierta. Mantenga sus manos, cabello y rostro lejos de la llama. NO se incline sobre la parrilla mientras la esté encendiendo. El cabello y la ropa sueltos pueden incendiarse.
- Use guantes protectores cuando manipule esta parrilla o cuando trabaje con fuego. Use guantes protectores o herramientas de cocina largas y robustas cuando agregue madera o carbón.
- Los reguladores de aire están CALIENTES mientras la parrilla esté en uso y durante el enfriamiento; use guantes protectores cuando realice ajustes.
- El ducto superior y el regulador inferior están CALIENTES mientras la parrilla está en uso y durante el enfriamiento; use guantes protectores al ajustarlos.
- La rejilla de cocción está CALIENTE mientras se usa la parrilla y durante el enfriamiento; use extrema precaución, si toca la rejilla de cocción, use guantes protectores o una herramienta de asa larga y robusta.
- No cocine antes que el carbón vegetal tenga una cubierta de cenizas.
- La barbacoa debe calentarse y el combustible debe mantenerse al rojo vivo durante al menos 30 minutos antes de la primera cocción.
- Nunca use líquido de encendido de carbón, gasolina, alcohol u otros líquidos altamente volátiles para encender el carbón vegetal. Estos fluidos pueden explotar y causar lesiones o la muerte.
- Nunca llene demasiado la rejilla del carbón. Esto puede ocasionar lesiones graves así como dañar la parrilla.
- No use nunca más carbón del recomendado (ver a continuación).
- ¡ADVERTENCIA! Esta barbacoa se calentará mucho, no la mueva durante el funcionamiento.
- ¡ADVERTENCIA! Mantenga alejados a niños y mascotas.
- ¡ADVERTENCIA! ¡No use licor o petróleo para encender o reencender! ¡Use solamente encendedores que cumplan con la norma EN 1860-3!
- Nunca agregue líquido encendedor adicional una vez que el carbón se ha encendido. Siga las instrucciones sobre el envase del líquido encendedor.
- Deseche las cenizas frías colocándolas en papel aluminio, remojándolas en agua y desechándolas en un contenedor no combustible.
- Mantenga la tapa abierta durante el proceso de encendido.
- Cuando cocine a más de 350 °F (175 °C), **abra cuidadosa y lentamente la tapa de la parrilla 5-8 cm (2-3 pulgadas) y "eructe" la parrilla durante 5 segundos** cada vez que levante el domo. Esto evitará un estallido, una oleada de calor sofocante causada por una falta de oxígeno.

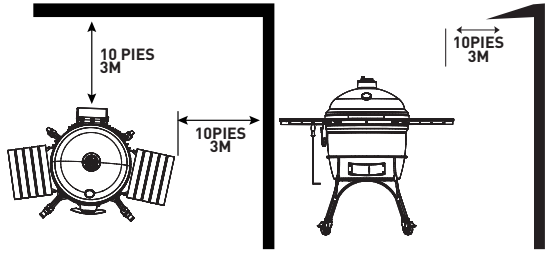
NO EXCEDA UN TOTAL DE 10 LBS / 4.5 KGS DE CARBÓN PARA EL FOGÓN PRINCIPAL

**REQUISITOS DE PROXIMIDAD ESTRUCTURAL**

Mantenga una distancia mínima de 10 pies (3 m) de la parte trasera, lateral y superior de la parrilla con las construcciones aéreas, paredes, rieles u otros materiales de construcción combustibles.

Mantenga una distancia mínima de 10 pies (3m) de todos los materiales combustibles e inflamables tales como, madera, plantas, hierba, maleza, papel, gasolina o lona.

Este despeje ofrece un espacio adecuado para una adecuada combustión, circulación del aire y ventilación. La parrilla no debe utilizarse sobre materiales combustibles como cubiertas de madera u otros materiales combustibles.

**GUARDE ESTAS INSTRUCCIONES**

Este producto no viene con trozos de madera ni leños de madera.

CONFIGURACIÓN DE LA PARRILLA

DESEMBALAJE

1. Corte las bandas plásticas y abra el contenedor de transporte.
2. Ponga a un lado todas las cajas y materiales de embalaje.
3. Abra el domo de la parrilla y retire todos los componentes internos. Tenga precaución y manipule los componentes con cuidado. La cerámica es quebradiza.

MÉTODO DE ELEVACIÓN

Una vez que los componentes internos de la parrilla hayan sido retirados, levante la parrilla fuera del contenedor y póngala dentro del carro o mesa o soporte. Antes de elevar, asegúrese que todas las tuercas de las bandas y de las bisagras estén ajustadas y seguras.

- Debido al peso de la parrilla, elevarla requiere de dos o más personas para realizar esta tarea.
- **Eleve la parrilla usando la bisagra trasera y la abertura inferior delantera como puntos de elevación. Use guantes protectores al levantarla y tenga extrema precaución, algunos componentes pueden ser afilados.**
- NO ELEVE la parrilla sin dos o más personas

CONFIGURACIÓN

Coloque la parrilla sobre una superficie sólida y plana, con protección adecuada del viento. No mueva la parrilla mientras esté caliente, y no la deje desatendida durante el funcionamiento.

Este aparato está diseñado para su uso en exteriores, lejos de cualquier material inflamable. Es importante no haya obstáculos aéreos y que haya una distancia mínima de 10 pies (3 m) desde la parte lateral o posterior del aparato. Es importante que las aberturas de ventilación del aparato no estén obstruidas. El aparato debe reposar sobre una superficie nivelada y estable. El aparato debe estar protegido de corrientes de aire directas y posicionado o protegido contra la penetración directa de cualquier goteo de agua (p. ej., lluvia).

GUÍA INCORPORADA

NOTAS IMPORTANTES SOBRE LA INSTALACIÓN:

Use esto como una guía general para instalar su Kamado Joe en una cocina integrada al exterior o mesa de parrilla. Recomendamos altamente que se mida la parrilla real que se va a instalar.

La mesa debe fijarse al suelo o a la pared. Para la construcción, se sugieren materiales no inflamables.

REQUISITOS DE LA MESA:

MATERIALES: Asegúrese que la superficie sea no combustible y que pueda soportar altas temperaturas.

BASE: Asegúrese de usar el soporte Kamado Joe Jr o de crear un espacio de aire debajo de la parrilla. NO coloque la parrilla directamente sobre la superficie de la mesa sin un espacio de aire.

ACCESO: Asegúrese que exista un acceso frontal para que el ducto de aire inferior no quede bloqueado.

DESPEJE: Asegúrese que haya espacio entre la parte superior de la mesa y el borde de la parrilla. La superficie de la mesa NO DEBE entrar en contacto directo con la parrilla.

Instrucciones de operación

CALENTAMIENTO INICIAL

Kamado Joe fabrica sus productos con cuidado. El curado previo **NO ES** necesario para el primer uso de su Kamado Joe. No obstante, le recomendamos los siguientes pasos para su primer calentamiento.

1. Asegúrese que todos los accesorios estén bien ajustados antes de poner en marcha la parrilla. Asegúrese de comprobar todas las bandas y bisagras.
2. Lave las rejillas de cocción con detergente suave para platos y déjelas secar.
3. Arranque la parrilla siguiendo las instrucciones de ENCENDIDO. Forme un fuego de tamaño pequeño / mediano.
 - No use más de 10 LBS / 4.5 KGS de carbón.
 - Siempre coloque el carbón en la bandeja para el carbón.
4. Mantenga la parrilla a menos de 400°F (204°C) durante 1 hora para la primera quema o cocción.
5. Después de la primera hora, puede apagar la parrilla.

DESPUÉS DEL PRIMER CALENTAMIENTO: debido a la naturaleza de la dilatación y contracción térmicas, es posible que se necesiten algunos ajustes o aprietes después del calentamiento inicial.

- **BANDAS:** Puede que note que sus bandas han perdido algo de tensión, consulte la sección de ajuste de las bandas de este manual para comprobar la tensión de sus bandas. Los ajustes regulares son completamente normales.
- **CERÁMICA:** Después de la primera cocción, es posible que note ligeras grietas en la porcelana. Esto se denomina cuarteado y forma parte de la característica natural de la porcelana.

INSTRUCCIONES DE ENCENDIDO

1. Antes de cocinar, use la herramienta para cenizas para remover el carbón restante en el fogón y eliminar toda la ceniza suelta. La ceniza suelta caerá a través de la rejilla del fuego.
2. Deseche toda la ceniza suelta. Deseche las cenizas frías colocándolas en papel aluminio, remojándolas en agua y desechándolas en un contenedor no combustible.
3. Agregue carbón vegetal al fogón y enciéndalo usando uno o dos arrancadores de fuego.
4. Deje el domo y el respiradero inferior completamente abiertos durante 10 minutos. Deje que el carbón se encienda.
5. Una vez encendido el carbón, cierre el domo.
6. Comience a cerrar y ajustar los ducto superior e inferior cuando la temperatura esté a menos de 50 °F (10 °C) de su temperatura objetivo.
7. Ya que su Kamado Joe de cerámica es tan aislante, puede tardar un poco en calentarse por completo. Dele a su parrilla 20-60 minutos para que establezca la temperatura antes de comenzar a cocinar.

NOTA: Como la cerámica retiene tan bien el calor, sólo aumente la temperatura de su parrilla ligera y lentamente. Es mucho más fácil aumentar ligeramente el calor que bajar la temperatura tras un sobrecalentamiento.

Instrucciones de operación

MANTENIMIENTO DE LA TEMPERATURA

FLUJO DE AIRE:

Para controlar la temperatura de su parrilla, necesita controlar la cantidad de flujo de aire que llega al fuego. Al abrir y cerrar los reguladores superiores e inferiores, puede ajustar la temperatura de su parrilla.

- MÁS AIRE = MÁS CALOR (abra los ductos)
- MENOS AIRE = MENOS CALOR (cierre los ductos)

CARBÓN VEGETAL:

La cantidad de carbón usada cuando se asa a la parrilla también puede causar un gran impacto en su capacidad de controlar la temperatura. Mientras más carbón se quema, más caliente estará la parrilla.

- MÁS CARBÓN = MÁS CALOR
- MENOS CARBÓN = MENOS CALOR

NOTAS SOBRE EL MANTENIMIENTO DE LA TEMPERATURA:

- Los ajustes de los ductos / reguladores no son inmediatos. Tenga paciencia, espere de 10 a 15 minutos desde el ajuste del ducto para que un cambio de temperatura surta efecto.
- Como la cerámica retiene tan bien el calor, sólo aumente la temperatura de su parrilla ligera y lentamente. Es mucho más fácil aumentar ligeramente el calor que bajar la temperatura tras un sobrecalentamiento.

CONSEJOS DE COCINA

ERUCTAR LA PARRILLA:

Cuando cocine a más de 350 °F (175 °C), abra cuidadosa y lentamente la tapa de la parrilla 5-8 cm (2-3 pulgadas) y "eructe" la parrilla durante 5 segundos cada vez que levante el domo. Esto evitará un estallido, una oleada de calor sofocante causada por una deflagración de oxígeno.

LÍQUIDOS:

No derrame líquidos dentro o encima de la parrilla mientras esté caliente.

APAGADO

1. Cuando termine de cocinar, cierre completamente el ducto inferior.
2. Limpie las rejillas de su parrilla con un raspador de rejilla o un trapo húmedo. Tenga PRECAUCIÓN, estarán calientes.
3. Una vez que la temperatura descienda por debajo de 400 °F (205 °C), cierre el ducto superior.
4. No cubra la parrilla hasta que el domo esté completamente frío al tacto (115 °F / 45 °C).
5. Revise las instrucciones de limpieza y cuidado para más pasos de limpieza.

Limpieza y mantenimiento

CADA COCINERO

Su parrilla Kamado Joe está hecha con materiales de calidad, así que el cuidado y mantenimiento generales son mínimos. La mejor manera de proteger su Kamado Joe del clima, es con una cubierta para parrillas.

1. Antes de limpiarla, asegúrese que su parrilla se haya enfriado completamente y que se haya apagado todo el carbón.
2. Use la herramienta para cenizas para remover el carbón restante en el fogón y eliminar toda la ceniza suelta. La ceniza suelta caerá a través de la rejilla del fuego.
3. Deseche toda la ceniza suelta. Deseche las cenizas frías colocándolas en papel aluminio, remojándolas en agua y desechándolas en un contenedor no combustible.
4. Limpie el exterior de su parrilla con un trapo húmedo para eliminar los ingredientes derramados y los restos. No frote excesivamente la junta, esto podría dañarla. La junta se limpiará a través de los ciclos naturales de calor cuando use su parrilla.
5. Cubra la parrilla con una funda y guárdela en un lugar fresco y seco.

NOTA: Cuando su deflector de calor se ensucie durante el uso normal, déle la vuelta, con el lado sucio hacia abajo, para la siguiente cocción. El calor del fuego limpiará automáticamente ese lado de la placa deflectora.

AUTOLIMPIEZA

Se recomienda completar estos pasos según sea necesario. La frecuencia de la limpieza variará en función de la frecuencia con la que use su Kamado Joe y su entorno. Si aparece moho en el interior de su parrilla, se recomienda realizar los pasos de autolimpieza que se indican a continuación.

Este proceso quemará cualquier residuo indeseado de la parte interna de su parrilla. Una vez completados los pasos que se indican a continuación, antes de volver a cocinar, use un cepillo de cerdas suaves en la cerámica y los deflectores de calor para eliminar cualquier residuo.

1. Retire las rejillas de cocción y lávelas con un detergente suave para platos. Las rejillas de cocción permanecerán retiradas durante esta sesión de limpieza.
2. Añada el carbón y encienda la parrilla.
3. Instale la rejilla para accesorios y el deflector de calor en la rejilla para accesorios - coloque el deflector de calor en la rejilla con el lado sucio hacia abajo.
4. Abra completamente los ductos de aire superior e inferior y deje que la temperatura dentro de la parrilla se eleve a 600 °F (315 °C) con el domo cerrado.
5. Mantenga la temperatura a unos 600 °F (315 °C) durante 15-20 minutos o hasta que no haya humo visible.
6. Cierre completamente el ducto inferior. Una vez que la temperatura descienda por debajo de los 400 °F (205 °C), cierre el ducto superior completamente.
7. Deje que la parrilla se apague.

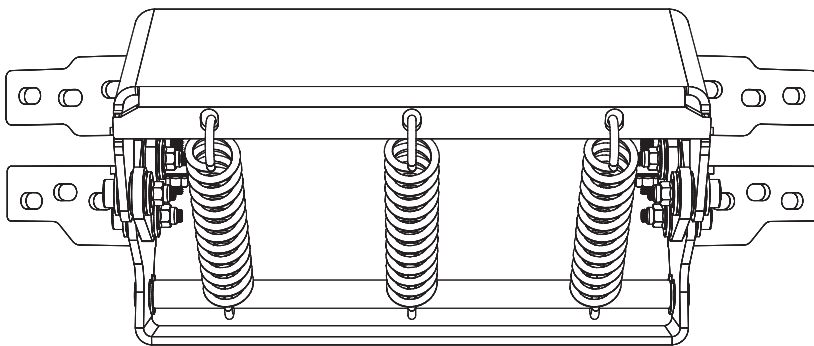
LIMPIEZA A FONDO

Una o dos veces al año, debe hacer una limpieza más profunda de la parte interna de la parrilla.

1. Antes de limpiarla, asegúrese que su parrilla se haya enfriado completamente y que se haya apagado todo el carbón.
2. Retire los componentes internos y retire cualquier ceniza o escombros residual que se haya recogido entre el cuerpo de la parrilla y los componentes internos.
3. Use un cepillo de cerdas de plástico para limpiar la superficie interior de cerámica.
4. Recoja o aspire todos los restos de la parte inferior la parrilla.
5. Limpie la bisagra y el exterior de su parrilla.
6. Reemplace todos los componentes internos y prepárese para su próxima cocción.

Desenganche de la bisagra del BIG JOE I

La bisagra en su BIG JOE I ya viene previamente ajustada para un equilibrio y estabilidad ideales. Siga estas instrucciones para desenganchar la bisagra.



DESENGANCHE LA BISAGRA DESTORNILLANDO LOS TORNILLOS DEL LADO DERECHO E IZQUIERDO. VER FIGURA 1.

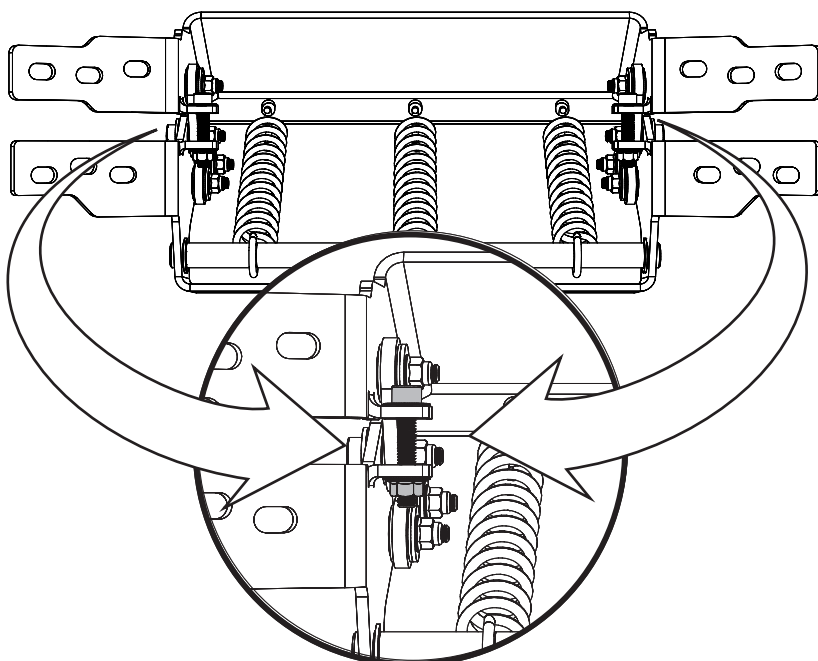
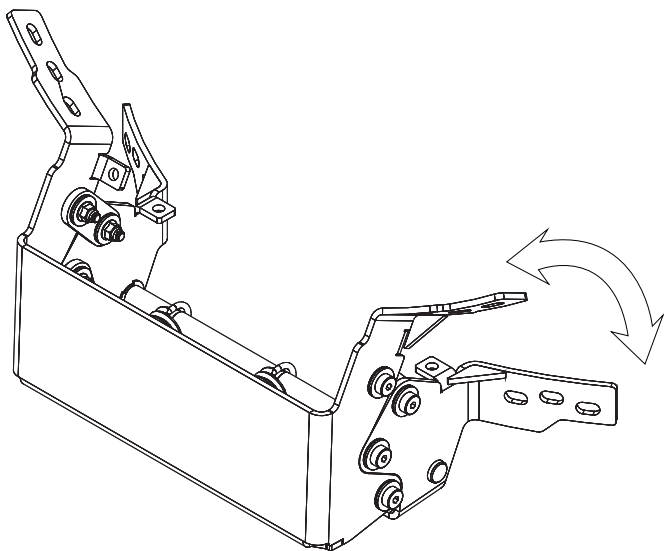
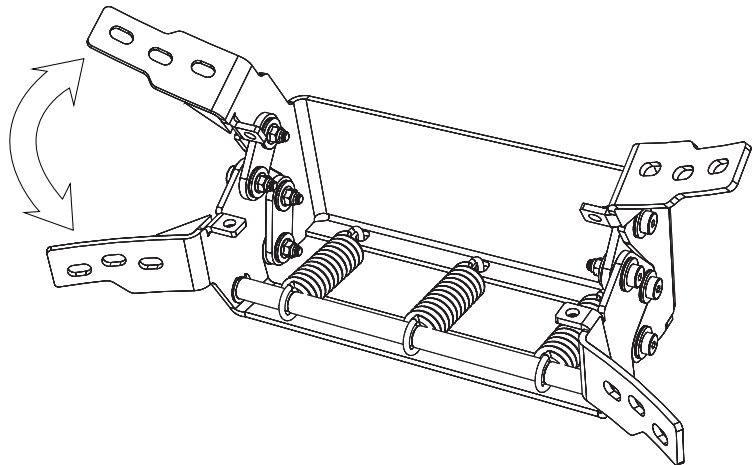


FIGURA 1.



LUEGO DE HABER RETIRADO LOS TORNILLOS PARA DESENGANCHAR, LA BISAGRA TIENE LIBERTAD PARA MOVERSE HACIA ARRIBA Y ABAJO.



CONSERVE LOS TORNILLOS DE DESENGANCHE. NO LOS DESCARTE. LOS TORNILLOS SE UTILIZAN SI ES NECESARIO REEMPLAZAR LA BISAGRA.

GARANTÍA LIMITADA

Esta garantía se aplica a todos los productos Kamado Joe®.

Garantía de por vida limitada en las piezas cerámicas

Kamado Joe® garantiza que las piezas cerámicas clave usadas en esta parrilla y ahumador Kamado Joe® no presentan defectos de material ni de mano de obra durante el período que el comprador original sea el dueño de la parrilla.

Garantía de 5 años en las partes metálicas y en las parrillas con tapa Kettle Joe

Kamado Joe® garantiza que todas las piezas de metal y hierro fundido usadas en esta parrilla y ahumador Kamado Joe® no presentan defectos de material ni de mano de obra durante un período de cinco (5) años.

Garantía de 3 años en los componentes electrónicos, los deflectores de calor y las piedras para pizzas

Kamado Joe® garantiza que todos los componentes electrónicos de esta parrilla y ahumador Kamado Joe® no presentan defectos de material ni de mano de obra durante un período de tres (3) años.

Garantía de 2 años en los componentes misceláneos y accesorios independientes

Kamado Joe® garantiza que todos los componentes misceláneos utilizados en esta parrilla y ahumador Kamado Joe® (incluyendo, entre otros, el termómetro, las juntas y los controladores iKamand) o cualquier accesorio Kamado Joe están libres de defectos de material y mano de obra por un período de dos (2) años.

Garantía limitada de uso comercial

Esta garantía asume un uso doméstico normal y razonable combinado con un buen mantenimiento esperado para todos los productos Kamado Joe®. Esta garantía no se aplica a los usos comerciales, por ejemplo, por parte de empresas de buffets, carnicerías, empresas de alquiler y camiones de comida. Kamado Joe® garantiza que todas las parrillas y ahumadores Kamado Joe® utilizados en las aplicaciones comerciales no presentan defectos de material ni de mano de obra durante un período de un (1) año.

¿Cuándo comienza la cobertura de la garantía?

La cobertura de la garantía comienza en la fecha de compra original y cubre solamente al comprador original. Para que la garantía se aplique, debe registrar su producto Kamado Joe® utilizando la página de registro del producto en nuestro sitio web. Si usted descubre un defecto de material o de mano de obra durante el período de garantía correspondiente bajo uso y mantenimiento normal, Kamado Joe®, a su discreción, reemplazará o reparará el componente defectuoso sin costo alguno para usted, por otro componente. La presente garantía no se aplica a mano de obra u otros costos asociados con el servicio, reparación u operación de la parrilla. Kamado Joe pagará todos los cargos de envío en las piezas bajo garantía.

SÓLO PARA RESIDENTES AUSTRALIANOS: Nuestros productos vienen con garantías que no pueden excluirse bajo la Ley del consumidor australiana. Tiene derecho a un reemplazo o reembolso por una falla importante y compensación por cualquier otra pérdida o daño previsible. Tiene derecho a que le reparen o reemplacen los productos si estos carecen de una calidad aceptable y si la falla no progresa hasta convertirse en una falla importante.

¿Qué cosas no están cubiertas?

La presente garantía no se aplica a daños causados por el uso o abuso del producto por motivos distintos a los previstos, daños causados por la falta del correcto uso, ensamblaje, mantenimiento o instalación, daños causados por accidentes o desastres naturales, daños causados por accesorios o modificaciones no autorizados o daños causados durante el transporte. La presente garantía no cubre daños de desgaste normal por el uso del producto (por ejemplo, rasguños, indentaciones, abolladuras y astillado) o cambios en la apariencia de la parrilla que no afecte su rendimiento.

LA PRESENTE GARANTÍA LIMITADA ES EXCLUSIVA Y REEMPLAZA A CUALQUIER OTRA GARANTÍA, ESCRITA U ORAL, IMPLÍCITA O EXPLÍCITA, INCLUYENDO SIN LIMITACIONES LA GARANTÍA DE COMERCIABILIDAD O IDONEIDAD PARA UN PROPÓSITO PARTICULAR. LA DURACIÓN DE CUALQUIER GARANTÍA IMPLÍCITA, INCLUYENDO CUALQUIER GARANTÍA IMPLÍCITA DE DE COMERCIABILIDAD O IDONEIDAD PARA UN PROPÓSITO PARTICULAR SE LIMITA EXPLÍCITAMENTE A LA DURACIÓN DEL PERÍODO DE GARANTÍA PARA EL COMPONENTE CORRESPONDIENTE.

EL ÚNICO DERECHO EXCLUSIVO DEL COMPRADOR PARA EL INCUMPLIMIENTO DE LA PRESENTE GARANTÍA LIMITADA O CUALQUIER GARANTÍA IMPLÍCITA DEBE ESTAR LIMITADO COMO SE ESPECIFICA EN LA PRESENTE AL REEMPLAZO. KAMADO JOE® EN NINGÚN CASO, SERÁ RESPONSABLE POR DAÑOS ESPECIALES, ACCIDENTALES O DERIVADOS.

Esta garantía se le proporciona junto con todos los derechos y recursos que le confieren las leyes y regulaciones de protección al consumidor. Esta garantía no afecta en modo alguno sus derechos legales bajo las regulaciones de garantía estatutaria de su estado o país de residencia. Dependiendo de su estado o país de residencia, las limitaciones en la duración de una garantía implícita o los daños disponibles para usted podrían no estar limitados por esta garantía.

¿Qué cosas invalidan la garantía?

Adquirir cualquier producto Kamado Joe® a través de un distribuidor no autorizado invalida la garantía. Un distribuidor no autorizado se define como cualquier minorista al que Kamado Joe® no le haya concedido expresamente el permiso para vender productos Kamado Joe®.

¿NECESITA ASISTENCIA? CONTÁCTENOS

Nuestras condiciones de garantía pueden cambiar de vez en cuando. Para obtener una versión actualizada de nuestra garantía, visite www.kamadojoe.com/pages/warranty. Para obtener asistencia o solicitar una copia actualizada de nuestra garantía, contáctenos en las direcciones que se indican a continuación.

Norteamérica

Norteamérica
Kamado Joe ®
Premier Specialty Brands, LLC
5367 New Peachtree Road, Suite
150, Chamblee, GA 30341
<https://www.kamadojoe.com/pages/support>

Unión Europea

Kamado Joe Europe
Lange Voorhout 86, 2514 EJ
Den Haag, Netherlands
<https://international.kamadojoe.com/pages/support>

Reino Unido

Kamado Joe UK Limited
Cheyenne House West Street,
Farnham GU9 7EQ
<https://international.kamadojoe.com/pages/support>

Australia y Nueva Zelanda

Contacte a su distribuidor.

GARANTÍA PARA USO COMERCIAL:

Se garantiza que cada parrilla y ahumador cerámico Kamado Joe usado en un ambiente comercial está libre de defectos de material y mano de obra bajo un uso normal y comercial razonable por un período de un (1) año a partir de la fecha de compra para el comprador original o propietario que compró el producto en un Distribuidor Autorizado y siempre que haya registrado su Garantía como se requiere (la "Garantía Comercial"). Esta Garantía Comercial de un (1) año cubre todas las piezas del Kamado Joe, incluyendo entre otros, el domo y la base de cerámica y todos los demás componentes y accesorios de cerámica y metal, por defectos de fabricación, mano de obra o materiales.

La presente garantía no se aplica a daños causados por el uso o abuso del producto del producto para fines distintos para los que ha sido diseñado, daños causados por no usar, ensamblar, mantener o instalar correctamente el producto, daños causados por accidentes o desastres naturales, daños causados por aditamentos o modificaciones no autorizados o daños durante el transporte (como su uso en restaurantes móviles o temporales, o dentro de camiones de comida u otras cocinas móviles). La presente garantía no cubre los daños causados por el desgaste normal del uso del producto (por ejemplo, arañones, golpes, abolladuras y astillados) o por cambios en la apariencia de la parrilla que no afecten su rendimiento.

LA PRESENTE GARANTÍA LIMITADA ES EXCLUSIVA Y REEMPLAZA A CUALQUIER OTRA GARANTÍA, YA SEA ORAL O ESCRITA, EXPLÍCITA O IMPLÍCITA, INCLUYENDO ENTRE OTROS, LA GARANTÍA DE COMERCIABILIDAD O IDONEIDAD PARA UN PROPÓSITO EN PARTICULAR. LA DURACIÓN DE CUALQUIER GARANTÍA IMPLÍCITA, INCLUYENDO CUALQUIER GARANTÍA IMPLÍCITA DE COMERCIABILIDAD O IDONEIDAD PARA UN PROPÓSITO EN PARTICULAR, SE LIMITA EXPRESAMENTE A LA DURACIÓN DEL PERÍODO DE GARANTÍA PARA EL COMPONENTE CORRESPONDIENTE.

KAMADOJOE®
DUTCH

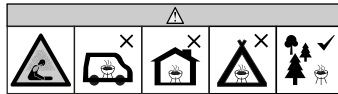
UITSLUITEND VOOR GEBRUIK BUITENSHUIS. NIET VOOR COMMERCIËEL GEBRUIK.**WAARSCHUWING**

- Deze handleiding bevat belangrijke informatie die u nodig hebt voor de juiste montage en het veilig gebruik van het apparaat.
- Lees en volg alle waarschuwingen en instructies, voordat u het apparaat monteert en gebruikt.
- Bewaar deze handleiding voor later gebruik.

**KOOLSTOFMONOXIDEGEVAAR**

Deze instructies niet opvolgen kan leiden tot brand, ontploffing of gevaar voor brandwonden met zaakschade, letsel of overlijden tot gevolg.

- Bij het branden van houtsnippers, -brokken of -pellets, houtskool en propaan komt koolstofmonoxide vrij. Deze stof is reukloos en kan de dood veroorzaken.
- GEEN houtsnippers, -brokken of -pellets, houtskool of propaan branden in huis of in een voertuig, tent, garage of andere afgesloten ruimte.
- De barbecue niet gebruiken in een gesloten en/of bewoonde ruimte, zoals een huis, tent, caravan, motorhome of boot. Doodsgevaar door koolstofmonoxidevergiftiging.
- UITSLUITEND BUITEN GEBRUIKEN in een goed verluchte omgeving.
- **VOLG DEZE RICHTLIJNEN OM VERGIFTIGING VAN U, UW FAMILIE OF ANDEREN DOOR HET KLEURLOOS EN REUKLOOS GAS TE VOORKOMEN.**
 - Dit zijn de symptomen van koolmonoxidevergiftiging: hoofdpijn, duizeligheid, zwakte, misselijkheid, braken, slaperigheid en verwarring. Koolstofmonoxide vermindert het vermogen van bloed om zuurstof te vervoeren. Een laag zuurstofgehalte in het bloed kan leiden tot bewusteloosheid en de dood.
 - Raadpleeg een arts als u of iemand anders een verkoudheid of griepachtige symptomen krijgt, terwijl u kookt, of in de nabijheid van dit apparaat. Koolmonoxidevergiftiging kan gemakkelijk worden verward met een verkoudheid of de griep en wordt vaak te laat gedetecteerd.
 - Alcohol, geneesmiddelen en drugs verhogen de effecten van koolmonoxidevergiftiging.
 - *Koolstofmonoxide is in het bijzonder toxisch voor moeder en kind tijdens de zwangerschap, voor baby's, ouderen, rokers en mensen met problemen met de bloedsomloop of het ademhalingsstelsel, zoals bloedarmoede of een hartziekte.*

**WAARSCHUWINGEN EN BELANGRIJKE BEVEILIGINGEN****LEES ALLE INSTRUCTIES.**

- De grill niet onbewaakt achterlaten.
- De grill is UITSLUITEND voor GEBRUIK BUITENSHUIS.
- Niet voor gebruik binnenshuis!
- Uitsluitend houtskool gebruiken als brandstof.
- Grill niet gebruiken bij hevige wind!
- Deksel en alle luchtkleppen sluiten om te helpen de vlam te doven.
- Deze grill op geen enkele manier veranderen.
- Niet verwarmen boven 400 °C.
- De grill altijd gebruiken conform alle van toepassing zijnde plaatselijke en nationale brandcodes.
- Deze waarschuwingen niet volgen kan leiden tot mogelijke schade aan de grill en gevaar voor de gebruiker.
- Nooit gebruiken in een afgesloten ruimte, zoals een patio, garage, gebouw of tent.
- Nooit gebruiken in of op een caravan of boot.
- De barbecue niet gebruiken in een gesloten en/of bewoonde ruimte, zoals een huis, tent, caravan, motorhome of boot. Doodsgevaar door koolstofmonoxidevergiftiging.
- Houd een afstand van ten minste 3 m van een overhangende constructie, muur, rail of andere constructie.
- Houd ten minste 3 m vrije ruimte van elk brandbaar materiaal, zoals hout, droge planten, gras, borstels, papier.
- De grill nooit gebruiken onder een overhangende constructie, zoals een dak, carport, luifel of overstek. (ZIE DE VEREISTEN VOOR DE AFSTAND VAN CONSTRUCTIES.)
- De grill vrijhouden van brandbaar materiaal, zoals benzine en andere brandbare dampen en vloeistoffen.
- De grill gebruiken op een vlak, niet-brandbaar, stabiel oppervlak, zoals grond, beton, baksteen of rots. Asphalt kan voor dit doel niet aanvaardbaar zijn.
- De grill niet gebruiken op een houten of brandbaar oppervlak.
- De grill MOET op de grond staan. De grill niet op een tafel of aanrecht plaatsen. De grill NIET verplaatsen over niet-vlakke oppervlakten.
- De grill uitsluitend over een glad oppervlak rollen.

**WAARSCHUWINGEN EN BELANGRIJKE BEVEILIGINGEN**

- De grill nooit op of van de trap rollen of over een oneffen oppervlak.
- De grill nooit gebruiken als verwarming. (LEES KOOLSTOFMONOXIDEGEVAAR.)
- De grill nooit gebruiken voor iets anders dan het beoogd gebruik. Deze grill is NIET voor commercieel gebruik.
- Houd een brandblusser bij de hand als u aan het grillen bent.
- Als u met olie of vet kookt, moet u een BC-blusser of ABC-blusser bij de hand hebben.
- Een olie- of vetbrand niet blussen met water. Onmiddellijk de brandweer bellen. Een BC-blusser of ABC-blusser kan in bepaalde omstandigheden het vuur onder controle houden.
- Vóór elk gebruik moet u controleren of alle moeren, schroeven en bouten stevig vastgeschroefd zijn.
- Alcohol en geneesmiddelen, al dan niet vrij verkrijgbaar, kunnen het vermogen van de gebruiker beperken om de grill correct te monteren of veilig te gebruiken.
- Kinderen en huisdieren altijd van de grill vandaan houden. Sta NIET toe dat kinderen de grill gebruiken. Van nabij toezicht houden als de grill wordt gebruikt met kinderen of huisdieren in de nabijheid.
- NIET toestaan dat iemand activiteiten uitvoert rond de grill tijdens of na het gebruik ervan, voordat de grill afgekoeld is.
- De grill NIET aanstoten of ertegen schoppen om letsel, schade aan de grill of gemors of spatten van hete kookvloeistof te voorkomen.
- Wees uiterst voorzichtig als u een apparaat met hete olie of andere hete vloeistoffen erin verplaatst.
- De grill nooit verplaatsen wanneer in gebruik. Laat de grill helemaal afkoelen (tot onder 45 °C), voordat u de grill verplaatst of opbergt.
- De grill is HEET tijdens het gebruik en blijft HEET gedurende een bepaalde tijd erna en tijdens het afkoelen. Wees VOORZICHTIG. Draag beschermende handschoenen of ovenwanten.
- Geen HETE oppervlakken aanraken. Gebruik handgrepen en knoppen.
- Nooit kookgerei van glas, kunststof of keramiek gebruiken in de grill. Nooit leeg kookgerei in de grill plaatsen tijdens het gebruik ervan.
- Accessoires die niet door Kamado Joe® zijn geleverd, zijn NIET aanbevolen en kunnen letsel veroorzaken.
- De grill niet opbergen met hete as of houtskool erin. Uitsluitend opbergen nadat het vuur helemaal gedoofd is en alle oppervlakken koud zijn.
- Wees voorzichtig als u voedsel van de grill neemt. Alle oppervlakken zijn HEET en kunnen brandwonden veroorzaken. Gebruik beschermende handschoenen of ovenwanten of kookgerei met een lange, stevige steel als bescherming tegen warme oppervlakken of spatten van kookvloeistoffen.
- De grill is heet tijdens het gebruik. Het gezicht en lichaam van de deur(en) en luchtgaten vandaan houden. Tijdens het gebruik komt er stoom en warme lucht vrij.
- De verbrandings- en verluchtungsstroom NIET hinderen.
- De kookrekken niet bedekken met aluminiumfolie. Hierdoor wordt de warmte gevangen en kan de grill worden beschadigd.
- Nooit HETE kolen of as onbewaakt achterlaten.
- De aslade niet verwijderen als de as en houtskool HEET zijn.
- De grill heeft open vuur. Houd de handen, het haar en het gezicht van de vlam vandaan. NIET over de grill leunen tijdens het aansteken. Los haar en losse kleding kunnen vuur vatten.
- Draag beschermende handschoenen bij het hanteren van deze grill of het werken met vuur. Draag beschermende handschoenen of gebruik stevig haardgereedschap met een lange steel als u hout of houtskool toevoegt.
- Luchtkleppen zijn HEET tijdens het gebruik van de grill en tijdens het afkoelen. Draag beschermende handschoenen tijdens het bijstellen.
- Bovenste luchtgat en onderste luchtklep zijn ZEER WARM tijdens het gebruik van de grill en tijdens het afkoelen. Draag beschermende handschoenen tijdens het bijstellen.
- De kookrooster is ZEER WARM tijdens het gebruik van de grill en tijdens het afkoelen. Wees uiterst voorzichtig en draag beschermende handschoenen als u de kookrooster aanraakt, of gebruik stevig gereedschap met een lange handgreep.
- Niet koken, voordat de houtskool met een laag as bedekt is.
- De barbecue moet worden voorverwarmd en de brandstof moet roodgloeiend blijven gedurende ten minste 30 minuten vóór de eerste kookbeurt.
- Geen aanmaakvloeistof, benzine, alcohol of andere, zeer vluchtige vloeistoffen gebruiken om houtskool te doen branden. Deze vloeistoffen kunnen ontploffen en letsel of de dood veroorzaken.
- De houtskoolrooster nooit overladen. Dit kan ernstig letsel en schade aan de grill veroorzaken.
- Nooit meer dan de aanbevolen hoeveelheid houtskool gebruiken (zie hieronder).
- WAARSCHUWING! Deze barbecue zal zeer warm worden. Nooit verplaatsen tijdens het gebruik ervan.
- WAARSCHUWING! Kinderen en huisdieren op afstand houden.
- WAARSCHUWING! Gebruik geen spiritus of benzine bij het aansteken of opnieuw aansteken! Uitsluitend aanmaakblokjes gebruiken die conform EN 1860-3 zijn!
- Nooit meer aanmaakvloeistof toevoegen als de houtskool al brandt. Volg de aanwijzing op de verpakking van de aanmaakvloeistof.
- Koude as weggoien in aluminiumfolie, in water gedrenkt, in een niet-brandbare afvalton.
- Deksel open laten tijdens het aanmaken.
- Wanneer u kookt boven 175 °C, **open dan voorzichtig en langzaam het grilldeksel 5 à 8 cm en laat de grill 'boeren' gedurende 5 seconden** telkens als u de koepel optilt. Dit voorkomt een steekvlam - een stoot van witgloeiende warmte veroorzaakt door een toevloed van zuurstof.

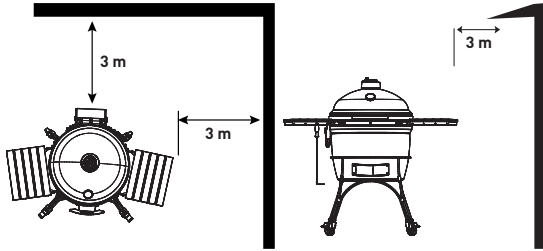
IN TOTAAL NIET MEER DAN 4,5 KG HOUTSKOOL GEBRUIKEN VOOR DE HOOFDVUURKORF.

**VEREISTEN VOOR DE AFSTAND VAN CONSTRUCTIES**

Houd een afstand van ten minste 3 m tussen de achterkant, zijkanten en bovenkant van de grill en een overhangende constructie, muur, rail of ander brandbaar constructiemateriaal.

Houd een afstand van ten minste 3 m van alle brandbaar en ontvlambaar materiaal, zoals hout, planten, gras, borstels, papier, benzine of doeken.

Deze vrije ruimte zorgt voor voldoende afstand voor goede verbranding, luchtcirculatie en verluchting. Grill niet gebruiken op brandbaar materiaal, zoals een dek of ander brandbaar materiaal.

**BEWAAR DEZE INSTRUCTIES.**

Dit product komt niet met houtskool of houtbrokken.

DE GRILL INSTALLEREN

UITPAKKEN

1. Knip de banden van kunststof door en open de verzendoos.
2. Plaats alle dozen en verpakkingsmateriaal opzij.
3. Open de koepel van de grill en verwijder alle interne onderdelen. Wees voorzichtig wanneer u de onderdelen behandelt. De keramiek is breekbaar.

HOE TILLEN?

Als de interne onderdelen van de grill verwijderd zijn, tilt u de grill uit de verpakking en in de kar of op de tafel of stander. Controleer vóór het optillen of alle band- en scharniermoeren goed en stevig vastzitten.

- Door het gewicht van de grill moeten twee of meer mensen de grill optillen.
- **De grill optillen aan het achterste scharnier en de opening vooraan. Draag beschermende handschoenen bij het tillen en wees uiterst voorzichtig; sommige onderdelen kunnen scherp zijn.**
- De grill NIET OPTILLEN als u niet met twee of meer mensen bent.

OPSTELLING

Plaats de grill op een vast en plat oppervlak met toereikende bescherming tegen de wind. Grill niet verplaatsen indien nog warm en niet onbewaakt achterlaten tijdens de werking.

Dit apparaat dient voor gebruik buiten, uit de nabijheid van brandbaar materiaal. Het is belangrijk dat er geen overhangende obstructies zijn en dat er ten minste 3 m vrije ruimte blijft van de zijkant of achterkant van het apparaat. Het is belangrijk dat de verluchtingsopeningen van het apparaat door niets worden belemmerd. De barbecue moet worden gebruikt op een plat en stabiel oppervlak. Het apparaat moet worden beschermd tegen directe tocht. Het moet worden geplaatst of worden beschermd tegen het direct binnendringen van druppelend water (bv. regen).

INBOUWGIDS

BELANGRIJKE OPMERKINGEN BIJ DE INSTALLATIE:

Gebruik dit als algemene handleiding voor installatie van uw Kamado Joe in een ingebouwde keuken of op een grilltafel buiten. Wij bevelen ten zeerste aan dat u de werkelijke te installeren grill meet.

Tafel moet op de grond of tegen een muur worden vastgemaakt. Niet-brandbaar bouw materiaal is nodig voor de constructie.

VEREISTEN VOOR DE TAFEL:

MATERIAAL: Het materiaal moet onbrandbaar zijn en moet bestand zijn tegen een hoge temperatuur.

BASIS: U moet de Kamado Joe Jr-stander gebruiken of een luchtspleet maken onder de grill. Plaats de grill NIET direct op het tafelblad zonder luchtspleet.

TOEGANG: Er moet toegang zijn vanaf de voorkant, zodat het onderste luchtgat niet geblokkeerd is.

VRIJE RUIMTE: Er moet een ruimte zijn tussen de bovenkant van de tafel en de rand van de grill. De tafel MAG de grill NIET direct raken.

Instructies voor de werking

DE EERSTE KEER OPWARMEN

Kamado Joe besteedt heel wat zorg bij het maken van haar producten. Een voorbehandeling IS NIET vereist bij het eerste gebruik van uw Kamado Joe. Wij bevelen wel aan dat u de onderstaande stappen volgt als u de grill de eerste keer opwarmt.

1. Controleer of alle schroeven enz. stevig vastzitten, voordat u de grill opstart. Controleer alle banden en het scharnier.
2. Was de kookroosters af met een zacht afwasmiddel en laat ze drogen.
3. Start de grill op volgens de instructies onder AANSTEKEN. Maak een klein tot middelgroot vuur aan.
 - Gebruik niet meer dan 4,5 kg houtskool.
 - De houtskool altijd op de houtskoollade plaatsen.
4. Houd de grill onder 204 °C gedurende 1 uur om voor de eerste keer te branden of te koken.
5. Na één uur kunt u de grill uitzetten.

NA DE EERSTE KEER OPWARMEN: door het uitzetten en inkrimpen door de warmte kunnen na de eerste opwarming enkele aanpassingen of aanspanningen nodig zijn.

- **BANDEN:** Mogelijk ziet u dat de banden wat spanning hebben verloren. Raadpleeg de rubriek over het aanpassen van de banden in deze handleiding om te controleren of de banden strak zitten. Regelmatig bijstellen is gewoon.
- **KERAMIEK:** Na de eerste kookbeurt kunt u barstjes in het porselein zien. Men noemt dit craquelé en deze zeer kleine scheurtjes kenmerken natuurlijk porselein.

INSTRUCTIES VOOR AANSTEKEN

1. Voordat u gaat koken, gebruikt u de aspoek om de resterende houtskool in de vuurkorf om te roeren en alle losse as te verwijderen. Losse as valt door de vuurrooster.
2. Verwijder alle losse as. Koude as weggooien in aluminiumfolie, in water gedrenkt, in een niet-brandbare afvalton.
3. Vul de vuurkorf met houtskool en steek aan met één of twee aanmaakblokjes.
4. Koepel en onderste luchtgat gedurende 10 minuten helemaal open laten. Wacht totdat de houtskool begint te branden.
5. Sluit de koepel als de houtskool begint te branden.
6. Begin het bovenste en onderste luchtgat te sluiten als de temperatuur 10 °C lager is dan de gewenste temperatuur.
7. Omdat de keramische Kamado Joe zo goed isoleert, kan het voorverwarmen even duren. Geef uw grill 20 à 60 minuten de tijd om de temperatuur stabiel te houden en de keramiek te verwarmen, voordat u begint te koken.

NB: Omdat de keramiek de warmte zo goed vasthoudt, hoeft u de temperatuur van de grill slechts een beetje en langzaam te verhogen. Het is veel gemakkelijker om de temperatuur iets te verhogen, dan om de temperatuur na een overschrijding te verlagen.

Instructies voor de werking

TEMPERATUUR HANDHAVEN

LUCHTSTROOM:

Om de temperatuur van uw grill te regelen, moet u de luchtstroom naar het vuur regelen. Door de bovenste en onderste luchtklep te openen en te sluiten, kunt u de temperatuur van de grill aanpassen.

- MEER LUCHT = WARMER (open de luchtgaten)
- MINDER LUCHT = MINDER WARM (sluit de luchtgaten)

HOUTSKOOL:

Ook de hoeveelheid houtskool die bij het grillen wordt gebruikt, kan een grote invloed hebben op de regeling van de temperatuur. Hoe meer brandende houtskool, des te warmer kan de grill zijn.

- MEER HOUTSKOOL = WARMER
- MINDER HOUTSKOOL = MINDER WARM

OPMERKINGEN BIJ HET HANDHAVEN VAN DE TEMPERATUUR:

- Een luchtgat of -klep bijstellen heeft niet onmiddellijk effect. Wees geduldig en wacht 10 à 15 minuten na bijstelling van de temperatuur om het effect te zien.
- Omdat de keramiek de warmte zo goed vasthoudt, hoeft u de temperatuur van de grill slechts een beetje en langzaam te verhogen. Het is veel gemakkelijker om de temperatuur iets te verhogen, dan om de temperatuur na een overschrijding te verlagen.

KOOKTIPS

GRILL LATEN 'BOEREN':

Wanneer u kookt boven 175 °C, open dan voorzichtig het grilldeksel 5 à 8 cm en laat de grill 'boeren' gedurende ongeveer 5 seconden telkens als u de koepel optilt.. Dit voorkomt een steekvlam - een stoot van wittgloeiende warmte veroorzaakt door een toevloed van zuurstof.

VLOEISTOFFEN:

Mors geen vloeistof in of op de warme grill.

UITSCHAKELEN

1. Na de kooksessie sluit u het onderste luchtgat helemaal.
2. Maak de grillroosters schoon met een roosterschraaper of een vochtige doek. Wees VOORZICHTIG - de roosters zijn zeer warm.
3. Zodra de temperatuur lager wordt dan 205 °C, sluit u het bovenste luchtgat.
4. Bedek de grill niet en maak niet schoon, voordat de koepel koud genoeg is om aan te raken (45 °C).
5. Raadpleeg de instructies voor reiniging en onderhoud voor meer reinigungsstappen.

Reiniging en onderhoud

ELKE KOOKSESSIE

Uw Kamado Joe-grill is gemaakt van kwalitatief materiaal. Algemeen onderhoud is dus minimaal. De beste bescherming van uw Kamado Joe tegen de elementen is de hoes van de grill.

1. Voordat u begint te reinigen, moet de grill helemaal zijn afgekoeld en moet alle houtskool gedooft zijn.
2. Gebruik de aspook om de resterende houtskool in de vuurkorf om te roeren en alle losse as te verwijderen. Losse as valt door de vuurrooster.
3. Verwijder alle losse as. Koude as weggoeien in aluminiumfolie, in water gedrenkt, in een niet-brandbare afvalton.
4. Veeg de buitenkant van de grill af met een vochtige doek om gemorste voedselresten en vuil te verwijderen. Schrob de pakking niet te hard; dit kan schade veroorzaken. De pakking wordt gereinigd door de natuurlijke warmtecyclus bij gebruik van de grill.
5. Bedek de grill met de hoes en berg op in een koele en droge plaats.

NB: Wanneer het warmteschild bij gewoon gebruik vuil wordt, draait u het om, met de vuile kant naar beneden, voor de volgende kooksessie. De warmte van het vuur zorgt voor zelfreiniging van die kant van het warmteschild.

ZELFREINIGING

Wij bevelen aan dat u deze stappen uitvoert wanneer nodig. De schoonmaakfrequentie is afhankelijk van hoe vaak u de Kamado Joe gebruikt, en van uw omgeving. Als er schimmel of meeldauw binnen in de grill verschijnt, is het raadzaam om de onderstaande zelfreinigende stappen uit te voeren.

Hierdoor worden alle ongewenste resten uitgebrand uit de binnenkant van uw grill. Nadat u de onderstaande stappen hebt voltooid en voordat u weer gaat koken, gebruikt u een zachte borstel op de keramiek en de warmteschilden om eventuele resten te verwijderen.

1. Verwijder de kookroosters en was ze af met een zacht afwasmiddel. De kookroosters blijven verwijderd tijdens deze reinigingssessie.
2. Vul met houtskool en steek de grill aan.
3. Plaats het accessoirek en het warmteschild op het accessoirek - plaats het warmteschild in de grill met de vuile kant naar beneden.
4. Open het bovenste en onderste luchtgat helemaal en laat de temperatuur binnen in de grill stijgen tot 315 °C met de koepel gesloten.
5. Handhaaf de temperatuur rond 315 °C gedurende 15 à 20 minuten of totdat u rook ziet.
6. Sluit het onderste luchtgat helemaal. Zodra de temperatuur lager wordt dan 205 °C, sluit u het bovenste luchtgat helemaal.
7. Laat de grill uitschakelen.

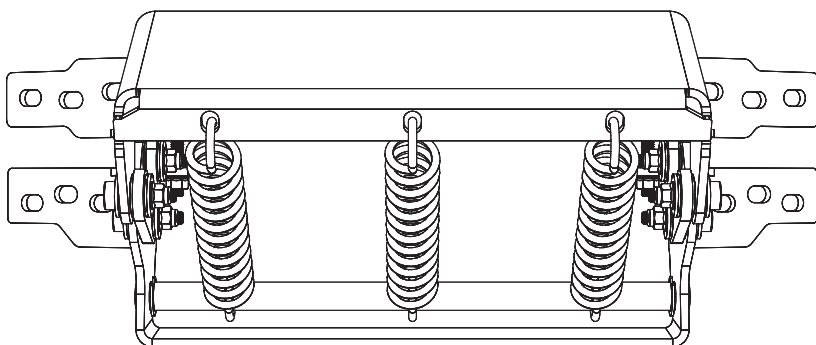
GRONDIGE REINIGING

Reinig de binnenkant van de grill één of twee keer per jaar grondiger.

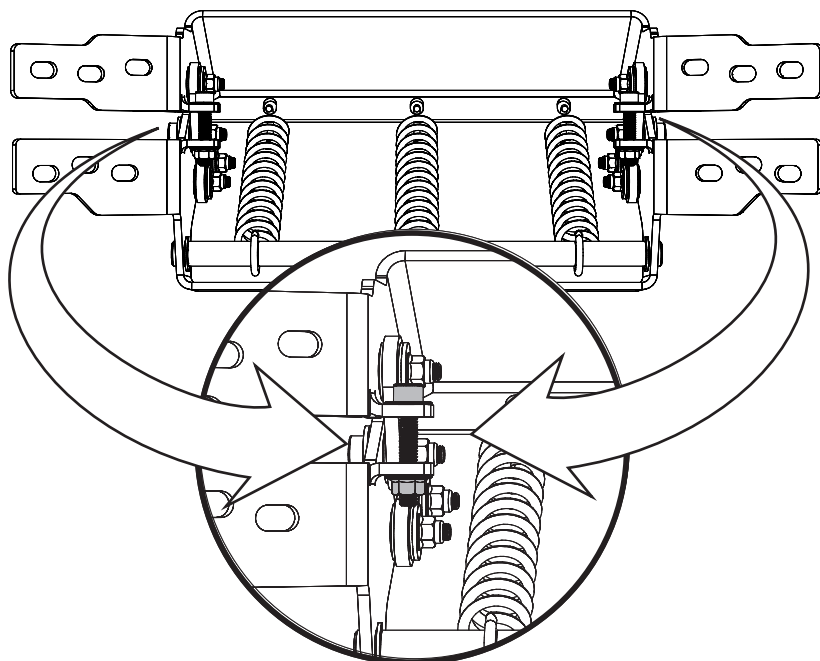
1. Voordat u begint te reinigen, moet de grill helemaal zijn afgekoeld en moet alle houtskool gedooft zijn.
2. Verwijder de interne onderdelen. Verwijder alle achtergebleven as of afval tussen de grill en de interne onderdelen.
3. Gebruik een borstel met haar van kunststof om de keramische binnenkant schoon te maken.
4. Schep alle vuil uit de onderkant van de grill of gebruik een stofzuiger.
5. Veeg scharnier en buitenkant van de grill af.
6. Plaats alle interne onderdelen terug en maak u klaar voor de volgende kooksessie.

Scharnier van BIG JOE I losmaken

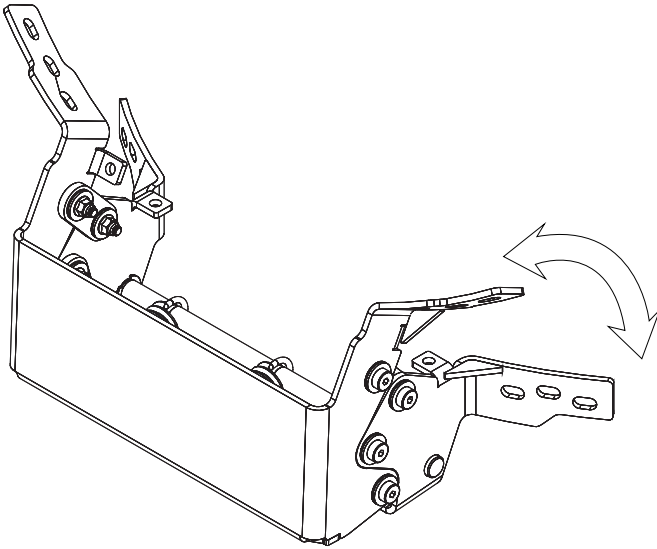
Het scharnier aan uw BIG JOE I is vooraf ingesteld voor ideale balans en stabiliteit. Volg deze instructies om het scharnier los te maken.



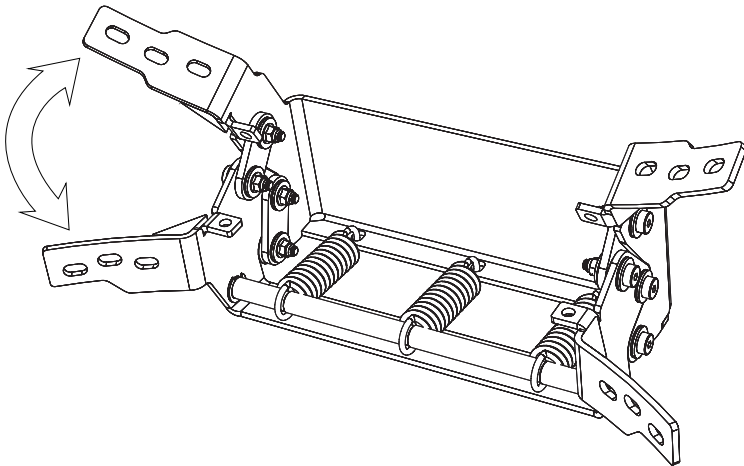
SCHARNIER LOSMAKEN DOOR SCHROEVEN VAN DE RECHTER- EN LINKERKANT LOS TE SCHROEVEN. ZIE AFBEELDING 1.



AFBEELDING 1.



**NADAT DE SCHROEVEN VERWIJDERD ZIJN, KAN HET SCHARNIER
VRIJ OP EN NEER WORDEN VERPLAATST.**



**BEWAAR DE VERWIJDERDE SCHROEVEN. NIET WEGGOOIEN. U HEBT DE
SCHROEVEN NODIG, ALS U HET SCHARNIER MOET TERUGPLAATSEN.**

BEPERKTE GARANTIE

Deze garantie is van toepassing op alle producten van Kamado Joe®.

Beperkte levenslange garantie op keramische onderdelen

Kamado Joe® garandeert dat alle belangrijke keramische onderdelen gebruikt in deze Kamado Joe®-grill en -roker geen materiaal- en productiefouten vertonen, zolang als de oorspronkelijke koper de grill bezit.

5 jaar garantie op metalen onderdelen en Kettle Joe-grills

Kamado Joe garandeert dat belangrijke metalen en gietijzeren onderdelen gebruikt in deze Kamado Joe-grill en -roker geen materiaal- en productiefouten zullen vertonen gedurende een periode van vijf (5) jaar.

3 jaar garantie op elektronische onderdelen, warmteschilden en pizzastenen

Kamado Joe® garandeert dat elektronische onderdelen van deze Kamado Joe-grill en -roker geen materiaal- en productiefouten zullen vertonen gedurende een periode van drie (3) jaar.

2 jaar garantie op diverse onderdelen en zelfstandige accessoires

Kamado Joe® garandeert dat alle diverse onderdelen gebruikt in deze Kamado Joe®-grill en -roker (inclusief, zonder beperking, de thermometer, pakkingen en iKamand-regelingen) en eventuele Kamado Joe-accessoires geen materiaal- en productiefouten zullen vertonen gedurende een periode van twee (2) jaar.

Beperkte garantie bij commercieel gebruik

Deze garantie geldt voor gewoon en redelijk huishoudelijk gebruik in een privéwoning gecombineerd met het verwachte goede onderhoud voor alle Kamado Joe®-producten. Deze garantie dekt geen commercieel gebruik, bv. door cateringbedrijven, slagers, verhuurbedrijven en foodtrucks. Kamado Joe® garandeert dat alle Kamado Joe-grills en -rokers gebruikt in een commerciële omgeving geen materiaal- en productiefouten zullen vertonen gedurende een periode van één (1) jaar.

Wanneer begint de dekking onder de garantie?

Dekking onder de garantie begint op de oorspronkelijke aankoopdatum en geldt uitsluitend voor de originele koper. Voor dekking onder de garantie moet u uw Kamado Joe®-product registreren op de productregistratiepagina van onze website. Als u een materiaal- of productiefout ontdekt tijdens de toepasselijke garantieperiode bij gewoon gebruik en onderhoud, zal Kamado Joe® naar eigen goeddunken het defecte onderdeel vervangen of repareren zonder dat u het onderdeel hoeft te betalen. Deze garantie geldt niet voor de werkuren of andere kosten geassocieerd met service, reparatie of werking van de grill. Kamado Joe zal alle verzendkosten betalen voor onderdelen onder garantie.

UITSLUITEND VOOR INWONERS VAN AUSTRALIË:

Onze goederen komen met garanties die niet kunnen worden uitgesloten krachtens het Australisch consumentenrecht. U bent gerechtigd op vervanging of terugbetaling voor een groot defect en op een vergoeding voor alle andere redelijkerwijs te voorziene verliezen of schade. U bent ook gerechtigd op reparatie of vervanging van goederen, als ze niet van aanvaardbare kwaliteit zijn en het defect geen groot defect is.

Wat is niet gedekt?

Deze garantie dekt geen schade veroorzaakt door misbruik of gebruik van het product voor een ander dan het bedoeld gebruik, schade veroorzaakt door onjuist gebruik, onjuiste montage, onjuist onderhoud of onjuiste installatie, schade veroorzaakt door een ongeval of natuurramp, schade veroorzaakt door niet-toegestane toebehoren of aanpassingen of schade tijdens het vervoer. Deze garantie dekt geen schade door gewone slijtage van het gebruik van het product (zoals krassen, blutsen, deuken en afbladeren) of veranderingen in het uitzicht van de grill zonder gevolgen voor de werking ervan. DEZE BEPERKTE GARANTIE VERVANGT EN SLUIT ELKE ANDERE SCHRIFTELIJKE OF MONDELINGE, UITDRUKKELIJKE OF STILZWIJGENDE GARANTIE UIT, MET INBEGRIJ VAN, ZONDER BEPERKING, DE GARANTIE VAN VERKOOPBAARHEID OF GESCHIKTHEID VOOR EEN BEPAALD DOEL. DE DUUR VAN STILZWIJGENDE GARANTIES, MET INBEGRIJ VAN ELKE STILZWIJGENDE GARANTIE VAN VERKOOPBAARHEID OF GESCHIKTHEID VOOR EEN BEPAALD DOEL, IS UITDRUKKELIJK BEPERKT TOT DE DUUR VAN DE GARANTIEPERIODE VOOR HET VAN TOEPASSING ZIJNDE ONDERDEEL. VOOR EEN INBREUK OP DEZE BEPERKTE GARANTIE OF EEN STILZWIJGENDE GARANTIE IS HET UITSLUITENDE RECHTSMIDDEL VAN DE KOPER BEPERKT TOT VERVANGING, ZOALS HIER GESPECIFICEERD. KAMADO JOE® IS NOOIT AANSPRAKELIJK VOOR BIJZONDERE, TOEVALLIGE OF GEVOLGSCHADE.

De garantie wordt aan u gegeven naast alle rechten en rechtsmiddelen die u ter beschikking hebt op basis van de wet- en regelgeving voor bescherming van de consument. Deze garantie doet niets af van uw wettelijke rechten conform wettelijke garantiebepalingen in het land waar u woont. Afhankelijk van het land waar u woont, beperkt deze garantie de duur van een stilzwijgende garantie of de voor u beschikbare schadevergoeding misschien niet.

Waardoor wordt de garantie nietig?

Een Kamado Joe®-product kopen via een niet-geautoriseerde verkoper maakt deze garantie nietig. De definitie van een niet-geautoriseerde verkoper is elke detailhandel die geen uitdrukkelijke toestemming heeft van Kamado Joe® om producten van Kamado Joe® te verkopen.

HULP NODIG? NEEM CONTACT OP MET ONS

Onze garantievoorwaarden kunnen nu en dan worden gewijzigd. Ga voor een actuele versie van onze garantie naar www.kamadोजoe.com/pages/warranty. Voor hulp of een actuele kopie van onze garantie kunt u contact met ons opnemen via de onderstaande gegevens.

Noord-Amerika

Noord-Amerika
Kamado Joe®
Premier Specialty Brands, LLC
5367 New Peachtree Road, Suite
150, Chamblee, GA 30341, VS
<https://www.kamadोजoe.com/pages/support>

Europese Unie

Kamado Joe Europe
Lange Voorhout 86
2514 EJ Den Haag
Nederland
<https://international.kamadोजoe.com/pages/support>

Verenigd Koninkrijk

Kamado Joe UK Limited
Cheyenne House West Street,
Farnham GU9 7EQ, VK
<https://international.kamadोजoe.com/pages/support>

Australië en Nieuw-Zeeland

Neem contact op met uw winkelier.

GARANTIE VOOR COMMERCIEEL GEBRUIK:

Elke keramische grill met roker van Kamado Joe die in een commerciële omgeving wordt gebruikt, is gegarandeerd vrij van materiaal- en vakmanschapsfouten bij gewoon en redelijk commercieel gebruik gedurende een periode van één (1) jaar na de aankoopdatum voor de oorspronkelijke koper of eigenaar die het product heeft gekocht van een geautoriseerde verkoper en de garantie zoals vereist heeft geregistreerd (de 'commerciële garantie'). Deze commerciële garantie van één (1) jaar dekt alle onderdelen van de Kamado Joe, inclusief, maar niet beperkt tot, de keramische koepel en basis, en alle andere keramische, metalen en accessoireonderdelen tegen fabricage-, vakmanschaps- of materiaalfouten.

Deze garantie dekt geen schade veroorzaakt door misbruik of gebruik van het product voor een ander dan het bedoeld gebruik, schade veroorzaakt door onjuist gebruik, onjuiste montage, onjuist onderhoud of onjuiste installatie, schade veroorzaakt door een ongeval of natuurramp, schade veroorzaakt door niet-toegestane toebehoren of aanpassingen of schade tijdens het vervoer (zoals gebruik in een mobiel of pop-up-restaurant, een foodtruck of een andere mobiele keuken). Deze garantie dekt geen schade door gewone slijtage van het gebruik van het product (zoals krassen, blutsen, deuken en afbladeren) of veranderingen in het uitzicht van de grill zonder gevolgen voor de werking ervan.

DEZE BEPERKTE GARANTIE VERVANGT EN SLUIT ELKE ANDERE SCHRIFTELIJKE OF MONDELINGE, UITDRUKKELIJKE OF STILZWIJGENDE GARANTIE UIT, MET INBEGRIIP VAN, ZONDER BEPERKING, DE GARANTIE VAN VERKOOPBAARHEID OF GESCHIKTHEID VOOR EEN BEPAALD DOEL. DE DUUR VAN STILZWIJGENDE GARANTIES, MET INBEGRIIP VAN ELKE STILZWIJGENDE GARANTIE VAN VERKOOPBAARHEID OF GESCHIKTHEID VOOR EEN BEPAALD DOEL, IS UITDRUKKELIJK BEPERKT TOT DE DUUR VAN DE GARANTIEPERIODE VOOR HET VAN TOEPASSING ZIJNDE ONDERDEEL.

KAMADOJOE®
GERMAN

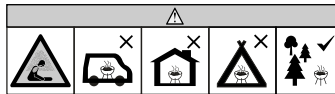
NUR FÜR DEN AUSSENBEREICH. NICHT FÜR DEN GEWERBLICHEN GEBRAUCH.**WARNUNG**

- Dieses Handbuch enthält wichtige Informationen, die für die ordnungsgemäße Montage und den sicheren Gebrauch des Geräts erforderlich sind.
- Lesen und befolgen Sie alle Warnhinweise und Anweisungen, bevor Sie das Gerät zusammenbauen und benutzen.
- Bewahren Sie dieses Handbuch zum späteren Nachschlagen auf.

**GEFAHR DURCH KOHLENMONOXID**

Die Nichtbeachtung dieser Anweisungen kann zu Feuer, Explosion oder Verbrennungen führen, die Sachschäden, Verletzungen oder den Tod zur Folge haben können.

- Bei der Verbrennung von Holzspänen, Holzstücken, Holzpellets, Holzkohle und Propan entsteht Kohlenmonoxid, das geruchlos ist und zum Tod führen kann.
- Verbrennen Sie KEINE Holzsplitter, Holzbrocken, Holzpellets, Holzkohle oder Propan in Häusern, Fahrzeugen, Zelten, Garagen oder anderen geschlossenen Räumen.
- Verwenden Sie den Grill nicht in einem geschlossenen und/oder bewohnbaren Raum, z.B. in Häusern, Zelten, Wohnwagen, Wohnmobilen oder Booten. Es besteht die Gefahr einer Kohlenmonoxidvergiftung mit Todesfolge.
- Verwenden Sie das Gerät NUR IM FREIEN, wo es gut belüftet ist.
- **BEFOLGEN SIE DIESE ANWEISUNGEN, UM ZU VERHINDERN, DASS SIE, IHRE FAMILIE ODER ANDERE DURCH DIESE FARBLOSE, GERUCHLOSE GAS VERGIFET WERDEN.**
 - Lernen Sie die Symptome einer Kohlenmonoxidvergiftung kennen: Kopfschmerzen, Schwindel, Schwäche, Übelkeit, Erbrechen, Schläfrigkeit und Verwirrung. Kohlenmonoxid reduziert die Fähigkeit des Blutes, Sauerstoff zu transportieren. Niedrige Sauerstoffwerte im Blut können zu Bewusstlosigkeit und Tod führen.
 - Gehen Sie zum Arzt, wenn Sie oder andere Personen beim Kochen oder in der Nähe dieses Geräts Erkältungs- oder Grippe-symptome entwickeln. Eine Kohlenmonoxidvergiftung, die leicht mit einer Erkältung oder Grippe verwechselt werden kann, wird oft zu spät erkannt.
 - Alkoholkonsum und Drogenkonsum verstärken die Auswirkungen einer Kohlenmonoxidvergiftung.
 - *Kohlenmonoxid ist besonders giftig für Mutter und Kind während der Schwangerschaft, für Säuglinge, ältere Menschen, Raucher und Menschen mit Blut- oder Kreislaufproblemen wie Anämie oder Herzerkrankungen.*

**WARNHINWEISE UND WICHTIGE SICHERHEITSHINWEISE****LESEN SIE ALLE ANWEISUNGEN**

- Lassen Sie den Grill nicht unbeaufsichtigt.
- Der Grill ist NUR als HAUSHALTSGEGENSTAND IN AUSSENBEREICH vorgesehen.
- Nicht in Innenräumen verwenden!
- Verwenden Sie nur Holzkohle als Brennstoff.
- Verwenden Sie den Grill nicht bei starkem Wind!
- Schließen Sie Deckel und Klappen, um die Flammen zu ersticken.
- Verändern Sie diesen Grill in keiner Weise.
- Eine Temperatur von 750°F (398°C) oder mehr darf nicht überschritten werden.
- Verwenden Sie den Grill immer in Übereinstimmung mit den vor Ort geltenden Brandschutzvorschriften.
- Die Nichtbeachtung der Warnhinweise kann zu Schäden am Grill oder zu Verletzungen des Benutzers führen.
- Verwenden Sie das Gerät niemals in geschlossenen Räumen wie Terrassen, Garagen, Gebäuden oder Zelten.
- Verwenden Sie es niemals in oder auf Wohnmobilen oder Booten.
- Verwenden Sie den Grill nicht in einem geschlossenen und/oder bewohnbaren Raum, z.B. in Häusern, Zelten, Wohnwagen, Wohnmobilen oder Booten. Es besteht die Gefahr einer Kohlenmonoxidvergiftung mit Todesfolge.
- Halten Sie einen Mindestabstand von 3 m zu Überkopfkonstruktionen, Mauern, Schienen oder anderen Strukturen ein.
- Halten Sie einen Mindestabstand von 3 m zu allen brennbaren Materialien wie Holz, trockenen Pflanzen, Gras, Gestrüpp und Papier ein.
- Betreiben Sie den Grill niemals unter Überdachungen wie Dächern, Carports, Markisen oder Überhängen. (SIEHE ANFORDERUNGEN AN DIE STRUKTURELLE NÄHE).
- Halten Sie den Grill sauber und frei von brennbaren Materialien wie Benzin und anderen brennbaren Dämpfen und Flüssigkeiten.
- Verwenden Sie den Grill auf einem ebenen, nicht brennbaren, stabilen Untergrund wie Erde, Beton, Ziegel oder Fels. Eine Asphaltoberfläche (Schwarzdecke) ist für diesen Zweck möglicherweise nicht akzeptabel.
- Verwenden Sie den Grill nicht auf hölzernen oder brennbaren Oberflächen.
- Der Grill MUSS auf dem Boden stehen. Stellen Sie den Grill nicht auf Tische oder Theken. Bewegen Sie den Grill NICHT über

**WARNHINWEISE UND WICHTIGE SICHERHEITSHINWEISE**

- unebene Oberflächen.
- Der Grill sollte nur auf einer glatten Oberfläche bewegt werden.
- Der Grill sollte niemals über Treppen oder unebene Flächen gerollt werden.
- Benutzen Sie den Grill niemals als Heizgerät (LESEN SIE DIE GEFAHR VON KOHLENMONOXID).
- Verwenden Sie den Grill nur für den vorgesehenen Bestimmungszweck. Dieser Grill ist NICHT für den gewerblichen Gebrauch bestimmt.
- Halten Sie während des Grillbetriebs jederzeit einen Feuerlöscher griffbereit.
- Halten Sie beim Kochen mit Öl oder Fett einen Feuerlöscher vom Typ BC oder ABC bereit.
- Im Falle eines Öl- oder Fettbrandes nicht versuchen, das Feuer mit Wasser zu löschen. Rufen Sie sofort die Feuerwehr. Ein Feuerlöscher vom Typ BC oder ABC kann unter Umständen das Feuer eindämmen.
- Überprüfen Sie vor jedem Gebrauch alle Muttern, Schrauben und Bolzen, um sicherzustellen, dass sie fest angezogen sind.
- Der Konsum von Alkohol, verschreibungspflichtigen oder nicht verschreibungspflichtigen Medikamenten kann die Fähigkeit des Benutzers beeinträchtigen, den Grill ordnungsgemäß zusammenzubauen oder sicher zu benutzen.
- Kinder und Haustiere jederzeit vom Grill fernhalten. Erlauben Sie Kindern NICHT, den Grill zu benutzen. Wenn sich Kinder oder Haustiere in der Nähe des Grills befinden, während dieser benutzt wird, ist strenge Aufsicht empfohlen.
- Erlauben Sie niemandem, während oder nach der Benutzung des Grills Tätigkeiten in dessen Nähe auszuüben, bis er abgekühlt ist.
- Stoßen oder schlagen Sie NICHT gegen den Grill, um Verletzungen, Schäden am Grill oder das Verschütten/Spritzen von heißer Kochflüssigkeit zu vermeiden.
- Seien Sie äußerst vorsichtig, wenn Sie ein Gerät mit heißem Öl oder anderen heißen Flüssigkeiten bewegen.
- Bewegen Sie den Grill niemals, wenn er in Gebrauch ist. Lassen Sie den Grill vollständig abkühlen (unter 115°F oder 45°C), bevor Sie ihn bewegen oder lagern.
- Der Grill ist während des Gebrauchs HEISS und bleibt auch danach und während des Abkühlvorgangs HEISS. Lassen Sie VORSICHT walten. Tragen Sie Schutzhandschuhe/Handschuhe.
- Berühren Sie die HEISSEN Oberflächen nicht. Verwenden Sie Griffe oder Knöpfe.
- Verwenden Sie niemals Glas-, Plastik- oder Keramikgeschirr im Grill. Stellen Sie während des Gebrauchs niemals leeres Kochgeschirr in den Grill.
- Zubehörteile, die nicht von Kamado Joe geliefert werden® werden nicht empfohlen und können Verletzungen verursachen.
- Lagern Sie den Grill nicht mit heißer Asche oder Holzkohle im Grill. Nur lagern, wenn das Feuer vollständig erloschen ist und alle Oberflächen kalt sind.
- Seien Sie vorsichtig, wenn Sie Essen vom Grill nehmen. Alle Oberflächen sind HEISS und können Verbrennungen verursachen. Verwenden Sie Schutzhandschuhe oder lange, robuste Kochwerkzeuge zum Schutz vor heißen Oberflächen oder Spritzern von Kochflüssigkeiten.
- Der Grill ist während der Benutzung heiß. Halten Sie Gesicht und Körper von Türen und Lüftungsöffnungen fern. Während des Gebrauchs werden Dampf und heiße Luft ausgestoßen.
- Behindern Sie den Verbrennungs- und Lüftungsstrom NICHT.
- Decken Sie die Grillroste nicht mit Metallfolie ab. Dadurch wird Hitze eingeschlossen und der Grill kann beschädigt werden.
- Lassen Sie HEISSE Kohlen oder Asche niemals unbeaufsichtigt.
- Entfernen Sie die Ascheschublade nicht, solange Asche und Holzkohle HEISS sind.
- Grill mit offener Flamme. Halten Sie Hände, Haare und Gesicht von den Flammen fern. Lehnen Sie sich beim Anzünden NICHT über den Grill. Lose Haare und Kleidung können Feuer fangen.
- Tragen Sie Schutzhandschuhe, wenn Sie mit den Grill oder mit Feuer arbeiten. Verwenden Sie Schutzhandschuhe oder lange, robuste Kaminwerkzeuge, wenn Sie Holz oder Holzkohle nachlegen.
- Die Luftklappen sind HEISS, wenn der Grill in Betrieb ist und während des Abkühlens; tragen Sie beim Einstellen Schutzhandschuhe.
- Die obere Entlüftungsöffnung und die untere Klappe sind HEISS, wenn der Grill in Betrieb ist und während des Abkühlens; tragen Sie beim Einstellen Schutzhandschuhe.
- Der Grillrost ist während des Betriebs und während des Abkühlens HEISS. Seien Sie äußerst vorsichtig, wenn Sie den Grillrost berühren, tragen Sie Schutzhandschuhe oder verwenden Sie ein stabiles Werkzeug mit langem Griff.
- Kochen Sie nicht, bevor die Holzkohle eine Ascheschicht hat.
- Der Grill sollte aufgeheizt werden und das Brennmaterial sollte mindestens 30 Minuten vor dem ersten Kochen glühend heiß sein.
- Verwenden Sie niemals Kohle-Anzündflüssigkeit, Benzin, Alkohol oder ähnliche flüchtige Flüssigkeiten zum Entzünden von Holzkohle. Diese Flüssigkeiten können explodieren und Verletzungen oder den Tod verursachen.
- Kohlerost niemals überfüllen. Dies kann zu schweren Verletzungen sowie Schäden am Grill führen.
- Verwenden Sie niemals mehr als die empfohlene Menge an Holzkohle (siehe unten).
- ACHTUNG! Dieser Grill wird sehr heiß, bewegen Sie ihn während des Betriebs nicht.
- ACHTUNG! Halten Sie Kinder und Haustiere fern.
- ACHTUNG! Kein Spiritus oder Benzin zum Anzünden oder Nachzünden verwenden! Nur Feueranzünder gemäß EN 1860-3 verwenden!
- Fügen Sie niemals zusätzliches Feuerzeugbenzin hinzu, wenn sich die Holzkohle entzündet hat. Befolgen Sie die Anweisungen auf dem Feuerzeugbenzinbehälter.
- Entsorgen Sie kalte Asche, indem Sie sie in Aluminiumfolie einwickeln, mit Wasser tränken und in einem nicht brennbaren Behälter entsorgen.
- Lassen Sie den Deckel während des Anzündens offen.
- Beim Garen über 175°C (350°F), **öffnen Sie den Grilldeckel vorsichtig und langsam 5-8 cm und lassen Sie den Grill bei jedem Anheben 5 Sekunden lang „rülpsen“** jedes Mal, wenn Sie die Kuppel anheben. Dadurch wird ein Flashback - ein durch Sauerstoffmangel hervorgerufener weißglühender Hitzeschwall - verhindert.

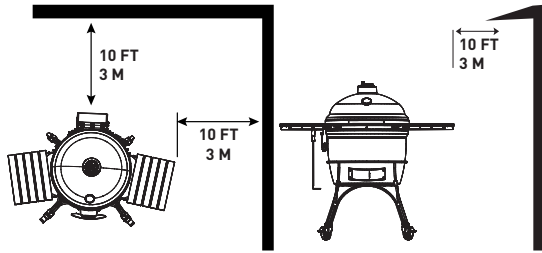
ÜBERSCHREITEN SIE NICHT DIE GESAMTGRÖSSE VON 10 LBS / 4.5 KGS KOHLE FÜR DIE HAUPTKAMMER

! ANFORDERUNGEN AN DIE STRUKTURELLE NÄHE !

Halten Sie einen Mindestabstand von 3 m (10 Fuß) von der Rückseite, den Seiten und der Oberseite des Grills zu allen Dachkonstruktionen, Wänden, Schienen oder anderen brennbaren Baumaterialien ein.

Halten Sie einen Mindestabstand von 10 Fuß (3 m) zu allen brennbaren und brennbaren Materialien wie Holz, Pflanzen, Gras, Pinsel, Papier, Benzin oder Leinwand ein.

Dieser Abstand sorgt für ausreichend Platz für eine ordnungsgemäße Verbrennung, Luftzirkulation und Entlüftung. Der Grill sollte nicht auf brennbaren Materialien wie Holzplatten oder anderen brennbaren Materialien verwendet werden.



BEWAHREN SIE DIESE ANWEISUNGEN AUF

Dieses Produkt wird nicht mit Holzkohle oder Holzstücken geliefert.

GRILL EINRICHTEN

UNBOXING

1. Schneiden Sie die Plastikbänder durch und öffnen Sie den Versandbehälter.
2. Stellen Sie alle Kartons und Verpackungsmaterialien beiseite.
3. Öffnen Sie die Kuppel des Grills und entfernen Sie alle internen Komponenten. Seien Sie vorsichtig und behandeln Sie die Komponenten mit Sorgfalt. Die Keramik ist zerbrechlich.

HEBEMETHODE

Sobald die inneren Komponenten des Grills entfernt wurden, heben Sie den Grill aus dem Behälter und in den Wagen oder Tisch oder Ständer. Vergewissern Sie sich vor dem Anheben, dass alle Band- und Scharniermuttern fest angezogen und sicher sind.

- Aufgrund des Gewichts des Grills sind zum Anheben des Grills zwei oder mehr Personen erforderlich, um diese Aufgabe auszuführen.
- **Heben Sie den Grill an, indem Sie das hintere Scharnier und die vordere untere Öffnung als Hebepunkte verwenden. Tragen Sie beim Anheben Schutzhandschuhe und seien Sie äußerst vorsichtig, da einige Teile scharfkantig sein können.**
- Heben Sie den Grill NICHT ohne zwei oder mehr Personen an

EINSTELLUNG

Stellen Sie den Grill auf einer festen, ebenen Fläche mit ausreichendem Windschutz auf. Bewegen Sie den Grill nicht, solange er heiß ist, und lassen Sie ihn während des Betriebs nicht unbeaufsichtigt.

Dieses Gerät ist für die Verwendung im Freien und in der Nähe von brennbaren Materialien vorgesehen. Es ist wichtig, dass es keine Hindernisse über dem Gerät gibt und dass ein Mindestabstand von 3 m (10 Fuß) zur Seite oder zur Rückseite des Geräts eingehalten wird. Es ist wichtig, dass die Lüftungsöffnungen des Geräts nicht blockiert werden. Der Grill muss auf einer ebenen, stabilen Fläche verwendet werden. Das Gerät sollte vor direktem Luftzug geschützt sein und vor dem direkten Eindringen von Tropfwasser (z. B. Regen) geschützt werden.

INGEBAUTE ANLEITUNG

WICHTIGE INSTALLATIONSHINWEISE:

Bitte verwenden Sie dies als allgemeine Anleitung für die Installation Ihres Kamado Joe in einer eingebauten Außenküche oder einem Grilltisch. Wir empfehlen dringend, den tatsächlich installierten Grill zu vermessen.

Der Tisch ist am Boden oder an der Wand zu befestigen. Für den Einbau sind nichtentflammare Materialien erforderlich.

ANFORDERUNGEN AN DEN TISCH:

MATERIALIEN: Stellen Sie sicher, dass die verwendeten Materialien nichtentflammbar sind und hohen Temperaturen standhalten.

UNTERTEIL: Stellen Sie sicher, dass der Kamado Joe Jr-Ständer verwendet wird oder ein Luftspalt unter dem Grill entsteht. Stellen Sie den Grill NICHT direkt auf die Tischoberfläche ohne Luftzwischenraum.

ZUGANG: Stellen Sie sicher, dass die untere Entlüftungsöffnung an der Vorderseite nicht blockiert ist.

FREIRAUM: Stellen Sie sicher, dass zwischen der Tischoberseite und dem Rand des Grills Platz vorhanden ist. Die Tischplatte DARF KEINEN direkten Kontakt mit dem Grill haben.

Betriebsanweisungen

ANFANGSERWÄRMUNG

Kamado Joe stellt seine Produkte mit Sorgfalt her. Vor dem ersten Gebrauch Ihres Kamado Joe ist eine Vorbehandlung NICHT erforderlich. Wir empfehlen jedoch die folgenden Schritte für Ihre erste Heizung.

1. Vergewissern Sie sich, dass alle Teile fest angezogen sind, bevor Sie den Grill in Betrieb nehmen. Überprüfen Sie alle Bänder und Scharniere.
2. Waschen Sie die Grillroste mit einem milden Spülmittel und lassen Sie sie trocknen.
3. Starten Sie den Grill, indem Sie die Anweisungen für die ZÜNDUNG befolgen. Machen Sie ein kleines/mittelgroßes Feuer.
 - Verwenden Sie nicht mehr als 10 LBS / 4,5 KGS Holzkohle.
 - Legen Sie die Holzkohle immer in die Kohleschale.
4. Halten Sie den Grill unter^{400°F (204°C)} für 1 Stunde für das erste Verbrennen oder Kochen.
5. Nach der ersten Stunde können Sie den Grill abschalten.

NACH DER ERSTEN ERWÄRMUNG: aufgrund der Natur der thermischen Ausdehnung und Kontraktion können nach dem ersten Erhitzen einige Anpassungen oder Nachziehen erforderlich sein.

- **BÄNDER:** Vielleicht stellen Sie fest, dass Ihre Bänder etwas an Spannung verloren haben. Bitte lesen Sie den Abschnitt über die Einstellung der Bänder in diesem Handbuch, um die Spannung Ihrer Bänder zu überprüfen. Regelmäßige Anpassungen sind völlig normal.
- **KERAMIK:** Nach dem ersten Kochen können Sie leichte Risse im Porzellan feststellen. Dies wird als Rissbildung bezeichnet und ist Teil der natürlichen Charakteristik von Porzellan.

ANLEITUNGEN ZUM ANZÜNDEN

1. Rühren Sie vor dem Kochen die restliche Holzkohle im Feuerraum mit dem Ascheaufsatz um, um alle lose Asche zu entfernen. Lose Asche fällt durch den Feuerrost.
2. Entsorgen Sie alle lose Asche. Entsorgen Sie kalte Asche, indem Sie sie in Aluminiumfolie einwickeln, mit Wasser tränken und in einem nicht brennbaren Behälter entsorgen.
3. Geben Sie Holzkohle in die Feuerbox und zünden Sie sie mit einem oder zwei Anzündern an.
4. Lassen Sie die Kuppel und die untere Belüftung 10 Minuten lang vollständig geöffnet. Lassen Sie die Holzkohle anzünden.
5. Nachdem sich die Holzkohle entzündet hat, schließen Sie die Kuppel.
6. Beginnen Sie mit dem Schließen und Einstellen der oberen und unteren Entlüftung, wenn die Temperatur weniger als^{100°C (500°F)} von Ihrer Zieltemperatur entfernt ist.
7. Da Ihr Keramik-Kamado Joe so isolierend ist, kann es einige Zeit dauern, bis er vollständig vorgeheizt ist. Geben Sie Ihrem Grill 20 bis 60 Minuten Zeit, um die Temperatur zu stabilisieren und die Keramik zu erhitzen, bevor Sie mit dem Kochen beginnen.

HINWEIS: Da Keramik die Hitze so gut speichert, sollten Sie die Grilltemperatur nur leicht und langsam erhöhen. Es ist viel einfacher, die Wärme leicht zu erhöhen, als die Temperatur nach einer Überschreitung wieder zu senken.

Betriebsanweisungen

TEMPERATURREGELUNG

LUFTSTROM:

Um die Temperatur Ihres Grills zu regeln, müssen Sie den Luftstrom zum Feuer kontrollieren. Durch Öffnen und Schließen der oberen und unteren Klappen können Sie die Temperatur Ihres Grills einstellen.

- MEHR LUFT = MEHR HITZE (öffnen Sie die Lüftungsschlitze)
- WENIGER LUFT = WENIGER HITZE (schließen Sie die Lüftungsschlitze)

HOLZKOHLE:

Auch die Menge der beim Grillen verwendeten Holzkohle kann einen großen Einfluss auf die Temperaturregelung haben. Je mehr Holzkohle sich entzündet, desto heißer kann der Grill werden.

- MEHR HOLZKOHLE = MEHR HITZE
- WENIGER HOLZKOHLE = WENIGER HITZE

HINWEISE ZUR TEMPERATURHALTUNG:

- Anpassungen an den Lüftungsöffnungen / Klappen sind nicht sofort möglich. Seien Sie geduldig und warten Sie 10 bis 15 Minuten nach der Einstellung der Belüftung, bis die Temperaturänderung wirksam wird.
- Da Keramik die Hitze so gut speichert, sollten Sie die Grilltemperatur nur leicht und langsam erhöhen. Es ist viel einfacher, die Wärme leicht zu erhöhen, als die Temperatur nach einer Überschreitung wieder zu senken.

KOCHTIPPS

Den GRILL RÜLPSEN LASSEN:

Wenn Sie über 175°C (350°F) garen, öffnen Sie den Grilldeckel vorsichtig 5-8 cm (2-3 Zoll) und lassen Sie den Grill jedes Mal, wenn Sie die Kuppel anheben, für ca. 5 Sekunden „rülpsen“. Dadurch wird ein Flashback - ein durch Sauerstoffmangel hervorgerufener Hitzeschwall - verhindert.

FLÜSSIGKEITEN:

Schütten Sie keine Flüssigkeiten in oder auf den Grill, solange er heiß ist.

ABSCHALTEN

1. Wenn Sie mit dem Garen fertig sind, schließen Sie die untere Lüftung vollständig.
2. Reinigen Sie Ihre Grillroste mit einem Rostschaber oder einem feuchten Lappen. Seien Sie vorsichtig, sie sind heiß.
3. Sobald die Temperatur unter 400°F (205°C) fällt, schließen Sie die obere Entlüftung.
4. Decken Sie den Grill nicht ab und reinigen Sie ihn nicht, bevor sich die Kuppel nicht abgekühlt hat (115°F / 45°C).
5. Bitte lesen Sie die Reinigungs- und Pflegehinweise für weitere Reinigungsschritte.

Reinigung und Pflege

JEDER HERD

Der Kamado Joe-Grill ist aus hochwertigen Materialien gefertigt und die allgemeine Pflege und Wartung ist minimal. Der beste Weg, deren Kamado Joe vor der Witterung zu schützen, ist eine Grillabdeckung.

1. Vergewissern Sie sich vor der Reinigung, dass Ihr Grill vollständig abgekühlt ist und die gesamte Holzkohle gelöscht worden ist.
2. Benutzen Sie das Aschegerät, um die restliche Holzkohle im Feuerraum umzurühren und die gesamte lose Asche zu entfernen. Lose Asche fällt durch den Feuerrost.
3. Entsorgen Sie alle lose Asche. Entsorgen Sie kalte Asche, indem Sie sie in Aluminiumfolie einwickeln, mit Wasser tränken und in einem nicht brennbaren Behälter entsorgen.
4. Wischen Sie die Außenseite Ihres Grills mit einem feuchten Lappen ab, um verschüttete Zutaten und Verschmutzungen zu entfernen. Schrubben Sie die Dichtung nicht zu stark, dies kann zu Schäden führen. Die Dichtung wird durch die natürliche Hitzeentwicklung gereinigt, wenn Sie Ihren Grill benutzen.
5. Decken Sie Ihren Grill mit einer Grillabdeckung ab und lagern Sie ihn an einem kühlen, trockenen Ort.

HINWEIS: Wenn Ihr Hitzeschutzgitter bei normalem Gebrauch schmutzig wird, drehen Sie es für den nächsten Kochvorgang mit der schmutzigen Seite nach unten um. Durch die Hitze des Feuers wird diese Seite des Ablenklechs selbst gereinigt.

SELBSTREINIGUNG

Es wird empfohlen, diese Schritte je nach Bedarf durchzuführen. Die Häufigkeit der Reinigung hängt davon ab, wie oft Sie Ihren Kamado Joe benutzen und wie Ihre Umgebung aussieht. Wenn im Inneren Ihres Grills Schimmel oder Mehltau auftritt, sollten Sie die folgenden Schritte zur Selbstreinigung durchführen.

Dieser Vorgang brennt alle unerwünschten Rückstände aus dem Inneren Ihres Grills heraus. Nachdem Sie die nachstehenden Schritte ausgeführt haben, sollten Sie vor dem erneuten Kochen die Keramik und die Hitzeabweiser mit einer Bürste mit weichen Borsten reinigen, um Rückstände zu entfernen.

1. Nehmen Sie die Grillroste heraus und waschen Sie sie mit einem milden Spülmittel. Die Grillroste bleiben bei dieser Reinigung entfernt.
2. Fügen Sie Holzkohle hinzu und zünden Sie den Grill an.
3. Montieren Sie den Zubehörtträger und das Hitzeschutzblech auf dem Zubehörtträger - setzen Sie das Hitzeschutzblech mit der schmutzigen Seite nach unten in den Grill.
4. Öffnen Sie die oberen und unteren Lüftungsschlitze vollständig und lassen Sie die Temperatur im Inneren des Grills bei geschlossener Kuppel auf 315°C (600°F) ansteigen.
5. Halten Sie die Temperatur bei ca. 315°C (600°F) für 15-20 Minuten oder bis kein sichtbarer Rauch mehr vorhanden ist.
6. Schließen Sie die untere Lüftung vollständig. Wenn die Temperatur unter^{400°F (205°C)} fällt, schließen Sie die obere Entlüftung vollständig.
7. Lassen Sie den Grill abschalten.

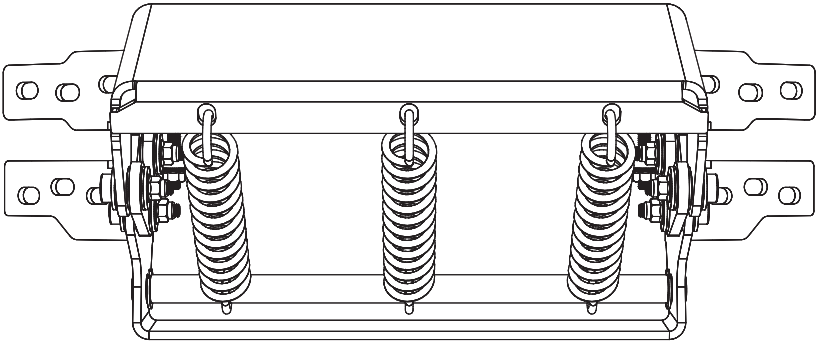
TIEFREINIGUNG

Ein- bis zweimal im Jahr sollten Sie im Grill gründlicher reinigen.

1. Vergewissern Sie sich vor der Reinigung, dass Ihr Grill vollständig abgekühlt ist und die gesamte Holzkohle gelöscht worden ist.
2. Entfernen Sie die Innenteile und beseitigen Sie alle Aschereste oder Rückstände, die sich zwischen dem Grillkörper und den Innenteilen angesammelt haben.
3. Verwenden Sie eine Bürste mit Kunststoffborsten, um die innere Keramikoberfläche zu reinigen.
4. Schaufeln oder saugen Sie die Verunreinigungen vom Boden des Grills.
5. Wischen Sie das Scharnier und die Außenseite des Grills ab.
6. Tauschen Sie alle internen Komponenten aus und machen Sie sich bereit für den nächsten Kochvorgang.

LÖSEN DES SCHARNIERS AM BIG JOE I

Das Scharnier am BIG JOE I ist bereits auf optimales Gleichgewicht und Stabilität voreingestellt. Zum Lösen des Scharniers diese Anweisungen befolgen.



DAS SCHARNIER DURCH ABSCHRAUBEN DER BEFESTIGUNGSHARDWARE VON DER RECHTEN UND LINKEN SEITE LÖSEN. SIEHE ABBILDUNG 1.

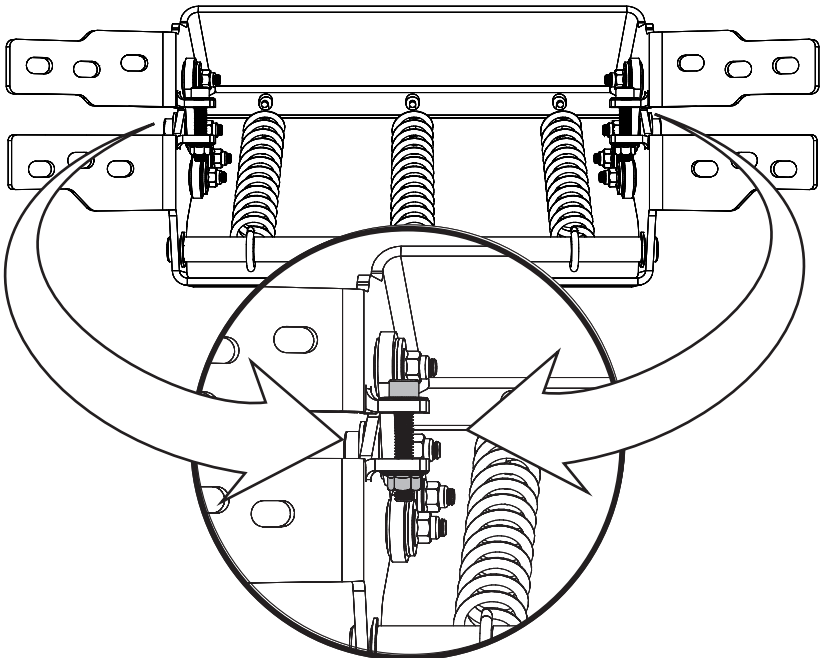
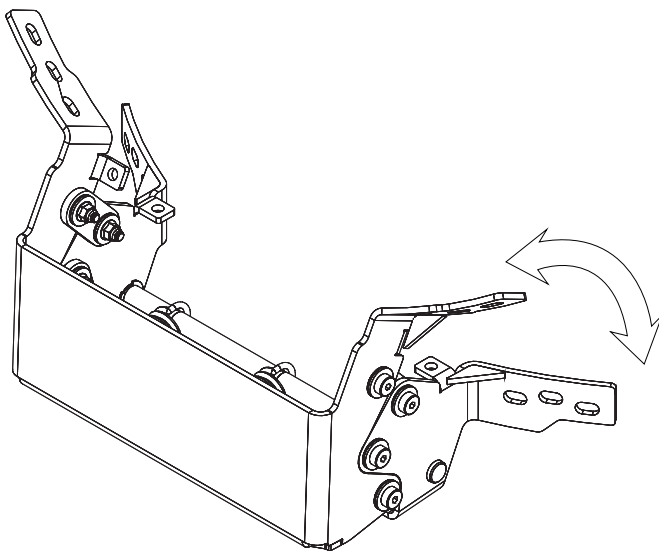
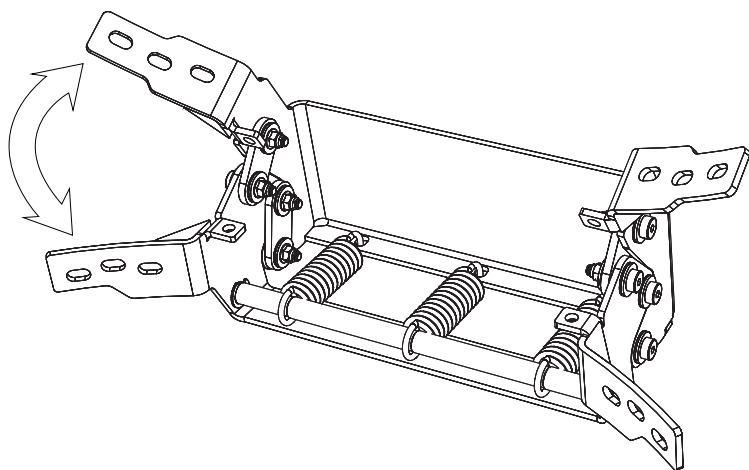


ABBILDUNG 1.



NACH DER ENTFERNUNG DER BEFESTIGUNGSHARDWARE LÄSST SICH DAS SCHARNIER UNBEHINDERT NACH OBEN UND UNTEN BEWEGEN.



**HARDWARE ZUM LÖSEN DES SCHARNIERS AUFBEWAHREN. NICHT WEGWERFEN.
HARDWARE BENUTZEN, FALLS EIN SCHARNIERWECHSEL ERFORDERLICH IST.**

BESCHRÄNKTE GARANTIE

Diese Garantie gilt für alle Kamado Joe® Produkte.

Lifetime-Herstellergarantie auf Keramikteile

Kamado Joe® garantiert, dass die wichtigsten Keramikteile dieses Kamado Joe® Grills und Smokers frei von Material- und Verarbeitungsfehlern sind, und zwar so lange, wie der Originalkäufer den Grill besitzt.

5 Jahre Garantie auf Metallteile und Kettle Joe Grills

Kamado Joe® garantiert, dass wichtige Metall- und Gusseisenteile dieses Kamado Joe® Grills und Smokers in einem Zeitraum von fünf (5) Jahren frei von Material- und Verarbeitungsfehlern sind.

3 Jahre Garantie auf elektronische Komponenten, Hitzeabweiser und Pizzasteine

Kamado Joe® garantiert, dass die elektronischen Komponenten dieses Kamado Joe® Grills und Smokers in einem Zeitraum von drei (3) Jahren frei von Material- und Verarbeitungsfehlern sind.

2 Jahre Garantie auf sonstige Komponenten und eigenständiges Zubehör

Kamado Joe® garantiert, dass alle Komponenten des Kamado Joe® Grills und Smokers (einschließlich, aber nicht beschränkt auf das Thermometer, die Dichtungen und die iKamand Controller) und jegliches Kamado Joe Zubehör in einem Zeitraum von zwei (2) Jahren frei von Material- und Verarbeitungsfehlern sind.

Eingeschränkte Garantie für kommerzielle Nutzung

Diese Garantie setzt einen normalen und angemessenen Gebrauch im Haushalt voraus, verbunden mit einer erwarteten guten Wartung für alle Kamado Joe® Produkte. Diese Garantie gilt nicht für die gewerbliche Nutzung, z. B. durch Caterer, Metzgereien, Verleihfirmen und Food Trucks. Kamado Joe® garantiert, dass alle Kamado Joe® Grills und Smoker, die in kommerziellen Anwendungen eingesetzt werden, für einen Zeitraum von einem (1) Jahr frei von Material- und Verarbeitungsfehlern sind.

Wann beginnt der Garantiezeitraum?

Die Garantie beginnt mit dem ursprünglichen Kaufdatum und gilt nur für den Erstkäufer. Damit die Garantie gilt, müssen Sie das Kamado Joe® Produkt auf der Produktregistrierungsseite auf unserer Website registrieren. Wenn Sie während der geltenden Garantiezeit bei normaler Verwendung und Wartung einen Material- oder Verarbeitungsfehler entdecken, wird Kamado Joe® nach unserem alleinigen Ermessen die defekte Komponente ersetzen oder reparieren, ohne dass Ihnen für die Komponente selbst Kosten entstehen. Diese Garantie gilt nicht für Arbeitsaufwand oder andere Kosten im Zusammenhang mit der Wartung, Reparatur oder dem Betrieb des Grills. Kamado Joe übernimmt die Kosten des Versands der Garantieteile.

NUR FÜR EINWOHNER AUSTRALIENS: Unsere Waren sind mit Garantien versehen, die nach dem australischen Verbrauchergesetz nicht ausgeschlossen werden können. Sie haben Anspruch auf Ersatz oder Rückerstattung bei einem größeren Ausfall und auf Entschädigung für alle anderen vernünftigerweise vorhersehbaren Verluste oder Schäden. Sie haben auch Anspruch auf Reparatur oder Ersatz der Waren, wenn die Qualität der Waren nicht akzeptabel ist und es sich nicht um einen schwerwiegenden Mangel handelt.

Was ist nicht abgedeckt?

Diese Garantie gilt nicht für Schäden, die durch eine missbräuchliche oder zweckentfremdete Verwendung des Produkts entstanden sind, für Schäden, die durch unsachgemäßen Gebrauch, Montage, Wartung oder Installation entstanden sind, für Schäden, die durch Unfälle oder Naturkatastrophen entstanden sind, für Schäden, die durch unbefugte An- oder Umbauten entstanden sind, oder für Transportschäden. Diese Garantie deckt weder Schäden durch normalen Verschleiß bei der Verwendung des Produkts (z. B. Kratzer, Dellen, Dellen und Absplitterungen) noch Veränderungen im Aussehen des Grills ab, die seine Leistung nicht beeinträchtigen.

DIESE HERSTELLERGARANTIE GILT AUSSCHLIESSLICH UND ANSTELLE JEGLICHER ANDEREN SCHRIFTLICHEN ODER MÜNDLICHEN, AUSDRÜCKLICHEN ODER STILLSCHWEIGENDEN GEWÄHRLEISTUNG, EINSCHLIESSLICH, ABER NICHT BESCHRÄNKT AUF DIE GEWÄHRLEISTUNG DER MARKTFÄHIGKEIT ODER EIGNUNG FÜR EINEN BESTIMMTEN ZWECK. DIE DAUER JEGLICHER STILLSCHWEIGENDER GEWÄHRLEISTUNGEN, EINSCHLIESSLICH JEGLICHER STILLSCHWEIGENDEN GEWÄHRLEISTUNGEN DER MARKTFÄHIGKEIT ODER EIGNUNG FÜR EINEN BESTIMMTEN ZWECK, IST AUSDRÜCKLICH AUF DIE DAUER DER GARANTIEFRIST DER JEWEILIGEN KOMPONENTE BESCHRÄNKT.

DAS AUSSCHLIESSLICHE RECHTSMITTEL DES KÄUFERS BEI VERLETZUNG DIESER HERSTELLERGARANTIE ODER EINER STILLSCHWEIGENDEN GEWÄHRLEISTUNG IST WIE HIER ANGEGEBEN AUF ERSATZ BESCHRÄNKT. KAMADO JOE® HAFTET NICHT FÜR BESONDERE, ZUFÄLLIGE ODER FOLGESCHÄDEN.

Diese Garantie wird Ihnen zusätzlich zu allen Rechten und Rechtsmitteln gewährt, auf die Sie gemäß Gesetzen und Vorschriften zum Verbraucherschutz Anspruch haben. Diese Garantie berührt in keiner Weise Ihre gesetzlichen Rechte gemäß den gesetzlichen Gewährleistungsbestimmungen in dem Bundesstaat oder Land, in dem Sie Ihren Wohnsitz haben. Je nach Staat oder Land, in dem Sie Ihren Wohnsitz haben, kann es sein, dass die Dauer einer stillschweigenden Garantie oder der Ihnen zustehende Schadenersatz durch diese Garantie nicht eingeschränkt wird.

Was führt zum Erlöschen der Garantie?

Wenn Sie ein Kamado Joe® Produkt bei einem nicht autorisierten Händler kaufen, erlischt die Garantie. Ein nicht autorisierter Händler ist jeder Einzelhändler, dem Kamado Joe® nicht ausdrücklich die Erlaubnis erteilt hat, Kamado Joe® Produkte zu verkaufen.

WÜNSCHEN SIE HILFE? KONTAKTIEREN SIE UNS

Unsere Garantiebedingungen können sich von Zeit zu Zeit ändern. Sie finden die neueste Version unserer Garantie unter www.kamadोजoe.com/pages/warranty. Wenn Sie Hilfe benötigen oder eine aktuelle Kopie unserer Garantie anfordern möchten, kontaktieren Sie uns bitte unter der folgenden Adresse.

Nordamerika

Nordamerika
Kamado Joe®
Premier Specialty Brands, LLC
5367 New Peachtree Road, Suite
150, Chamblee, GA 30341
<https://www.kamadोजoe.com/pages/support>

Europäische Union

Kamado Joe Europa
Lange Voorhout 86, 2514 EJ
Den Haag, Netherlands
<https://international.kamadोजoe.com/pages/support>

Großbritannien

Kamado Joe UK Limited
Cheyenne House West Street,
Farnham GU9 7EQ
<https://international.kamadोजoe.com/pages/support>

Australien und Neuseeland

Bitte wenden Sie sich an Ihren Händler.

GARANTIE FÜR GEWERBLICHE NUTZUNG:

Für jeden Kamado Joe Keramikgrill und Räucherofen, der im kommerziellen Bereich verwendet wird, gilt eine Garantie von einem (1) Jahr ab Kaufdatum für den Erstkäufer oder Eigentümer, welcher das Produkt bei einem autorisierten Händler erworben und die Garantie wie vorgeschrieben registriert hat, dass das Produkt bei normaler und angemessener kommerzieller Nutzung frei von Material- und Verarbeitungsfehlern ist (die „kommerzielle Garantie“). Diese einjährige kommerzielle Garantie deckt alle Teile des Kamado Joe ab, einschließlich, aber nicht beschränkt auf die Keramikhaube und den Sockel sowie alle anderen Keramik-, Metall- und Zubehörteile, die Herstellungs-, Verarbeitungs- oder Materialfehler aufweisen.

Diese Garantie gilt nicht für Schäden, die durch Missbrauch oder Verwendung des Produkts für andere als die vorgesehenen Zwecke verursacht wurden, Schäden, die durch unsachgemäße Verwendung, Montage, Wartung oder Installation verursacht wurden, Schäden, die durch Unfälle oder Naturkatastrophen verursacht wurden, Schäden, die durch nicht autorisierte Anbauteile oder Modifikationen verursacht wurden, oder Schäden während des Transports (z. B. bei Verwendung in mobilen oder Pop-up-Restaurants, in Imbisswagen oder anderen mobilen Küchen). Diese Garantie deckt keine Schäden ab, die durch normale Abnutzung durch die Verwendung des Produkts entstehen (z. B. Kratzer, Dellen, Beulen und Absplittierungen) oder durch Veränderungen im Aussehen des Grills, die seine Leistung nicht beeinträchtigen.

DIESE BESCHRÄNKTE GARANTIE IST AUSSCHLIESSLICH UND ERSETZT ALLE ANDEREN GARANTIEEN, OB SCHRIFTLICH ODER MÜNDLICH, AUSDRÜCKLICH ODER STILLSCHWEIGEND, EINSCHLIESSLICH, ABER NICHT BESCHRÄNKT AUF DIE GARANTIE DER MARKTGÄNGIGKEIT ODER EIGNUNG FÜR EINEN BESTIMMTEN ZWECK. DIE DAUER JEGLICHER STILLSCHWEIGENDER GARANTIEEN, EINSCHLIESSLICH JEGLICHER STILLSCHWEIGENDER GARANTIE DER MARKTGÄNGIGKEIT ODER EIGNUNG FÜR EINEN BESTIMMTEN ZWECK, IST AUSDRÜCKLICH AUF DIE DAUER DER GARANTIEZEIT FÜR DIE BETREFFENDE KOMPONENTE BESCHRÄNKT.

KAMADOJOE®
ITALIAN

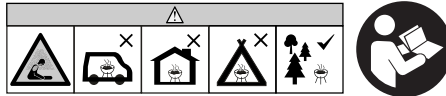
SOLO PER USO ALL'APERTO. NON PER USO COMMERCIALE.**AVVERTIMENTO**

- Questo manuale contiene informazioni importanti, necessarie per il corretto montaggio e l'utilizzo in sicurezza dell'apparecchio.
- Leggere e rispettare tutti gli avvertimenti e le istruzioni prima di montare e mettere in funzione l'apparecchio.
- Conservare questo manuale per riferimento futuro.

**PERICOLO DI MONOSSIDO DI CARBONIO**

Il mancato rispetto di queste istruzioni potrebbe provocare incendi, esplosioni o ustioni e causare di conseguenza danni alle cose, lesioni alle persone o morte.

- La combustione di trucioli, pezzi di legno, pellet, carbone e propano rilascia monossido di carbonio, inodore e letale.
- NON bruciare trucioli, pezzi di legno, pellet, carbone o propano all'interno di abitazioni, veicoli, tende, garage o altri spazi chiusi.
- Non utilizzare il barbecue in spazi confinati e/o abitabili, come case, tende, roulotte, camper, barche. Pericolo di morte per avvelenamento da monossido di carbonio.
- UTILIZZARE SOLO ALL'APERTO in zona ben ventilata.
- **SEGUIRE QUESTE LINEE GUIDA PER EVITARE CHE QUESTO GAS INCOLORE E INODORE CAUSI AVVELENAMENTI.**
 - Questi sono i sintomi dell'avvelenamento da monossido di carbonio: mal di testa, vertigini, debolezza, nausea, vomito, sonnolenza e confusione. Il monossido di carbonio riduce la capacità del sangue di trasportare ossigeno. Bassi livelli di ossigeno nel sangue possono provocare perdita di conoscenza e morte.
 - Se si presentano sintomi simili a quelli del raffreddore o dell'influenza quando si è nelle vicinanze del grill in funzione, rivolgersi a un medico. L'avvelenamento da monossido di carbonio, che presenta sintomi molto simili a quelli del raffreddore o dell'influenza, spesso viene diagnosticato troppo tardi.
 - L'uso di alcolici e droghe amplifica gli effetti dell'avvelenamento da monossido di carbonio.
 - *Il monossido di carbonio è particolarmente tossico per mamme e bambini durante la gravidanza, per neonati, anziani, fumatori e per persone con problemi circolatori e del sangue, come anemia o malattie cardiache.*

**AVVERTIMENTI E ISTRUZIONI DI SICUREZZA****LEGGERE TUTTE LE ISTRUZIONI**

- Non lasciare il grill incustodito.
- Grill SOLO PER USO DOMESTICO ALL'APERTO .
- Non utilizzarlo in ambienti chiusi!
- Utilizzare esclusivamente carbone come combustibile.
- Non utilizzare il grill in presenza di vento forte!
- Chiudere il coperchio e le prese d'aria per contribuire a soffocare la fiamma.
- Non modificare in alcun modo il grill.
- Non superare i 398°C di temperatura.
- Nell'utilizzare il grill, rispettare sempre le normative e ordinanze antincendio locali, regionali e nazionali applicabili.
- Il mancato rispetto degli avvertimenti può provocare danni al grill o lesioni alle persone.
- Non utilizzarlo mai in ambienti chiusi come patii, garage, edifici o tende.
- Non utilizzarlo mai all'interno o su veicoli da diporto o imbarcazioni.
- Non utilizzare il barbecue in spazi confinati e/o abitabili, come case, tende, roulotte, camper, barche. Pericolo di morte per avvelenamento da monossido di carbonio.
- Mantenere una distanza minima di 3 m da strutture sovrastanti, muri, ringhiere o altre strutture.
- Mantenere una distanza di 3 m da qualsiasi materiale infiammabile come legno, piante secche, erba, sterpi, carta.
- Non utilizzare mai il grill sotto strutture sovrastanti come tettoie, persilene per auto, tende da sole o cornicioni. (VEDI DISTANZE MINIME CONSENTITE).
- Tenere il grill pulito e libero da materiali infiammabili, come benzina e altri vapori e liquidi infiammabili.
- Utilizzare il grill su una superficie piana, stabile e non infiammabile, come terra, cemento, mattoni o roccia. Le superfici in asfalto potrebbero non essere adatte allo scopo.
- Non utilizzare il grill su superfici infiammabili o in legno.
- Il grill DEVE poggiare a terra. Non posizionare il grill su tavoli o banconi. NON spostare il grill su superfici irregolari.
- Far scivolare il grill solo su superfici lisce.
- Non far scivolare il grill su/giù per le scale o su superfici irregolari.

**AVVERTIMENTI E ISTRUZIONI DI SICUREZZA**

- Non utilizzare mai il grill come riscaldatore (LEGGERE PERICOLO DI MONOSSIDO DI CARBONIO).
- Non utilizzare mai il grill per usi diversi da quello previsto. Questo grill NON è destinato all'uso commerciale.
- Tenere sempre a portata di mano un estintore mentre il grill è in funzione.
- Quando si cucina con olio o grassi, tenere a portata di mano un estintore di tipo BC o ABC.
- In caso di incendio provocato da olio o grassi, non tentare di spegnerlo con acqua, ma chiamare immediatamente i vigili del fuoco. Un estintore di tipo BC o ABC potrebbe, in alcune circostanze, contenere l'incendio.
- Prima di ogni utilizzo verificare che tutti i dadi, le viti e i bulloni siano serrati a fondo.
- L'uso di alcolici o farmaci, da prescrizione o meno, può compromettere la capacità di montare correttamente o utilizzare in sicurezza il grill.
- Tenere bambini e animali domestici lontani dal grill. NON permettere ai bambini di utilizzare il grill. Tenere sotto stretto controllo bambini o animali domestici quando si avvicinano al grill in funzione.
- NON consentire a nessuno di svolgere attività nella zona intorno al grill durante o dopo l'uso e fino a quando l'apparecchio non si è raffreddato.
- NON urtare il grill per evitare lesioni personali, danni al grill o fuoriuscite/schizzi di liquidi bollenti.
- Prestare la massima attenzione quando si sposta un apparecchio contenente olio o altri liquidi bollenti.
- Non spostare mai il grill mentre è in funzione. Attendere che il grill si raffreddi completamente (temperatura inferiore ai 45°C) prima di spostarlo o riporlo.
- Il grill raggiunge TEMPERATURE MOLTO ELEVATE mentre è in funzione e le mantiene a lungo dopo lo spegnimento e durante il raffreddamento. Usare CAUTELA. Indossare guanti da barbecue.
- Non toccare le superfici CALDE. Usare maniglie o manopole.
- Non utilizzare mai contenitori in vetro, plastica o ceramica nel grill. Non mettere mai contenitori vuoti nel grill mentre è in funzione.
- È consigliabile non utilizzare accessori provenienti da fornitori diversi da Kamado Joe®, potrebbero causare lesioni alle persone.
- Non riporre il grill prima di aver rimosso cenere calda e tizzoni. Riporre solo quando il fuoco è completamente spento e tutte le superfici sono fredde.
- Fare attenzione nel rimuovere gli alimenti dal grill. Tutte le superfici raggiungono TEMPERATURE MOLTO ELEVATE e possono causare ustioni. Utilizzare guanti da barbecue o appositi utensili robusti a manico lungo per proteggersi dalle superfici calde o dagli schizzi di liquidi bollenti.
- Il grill raggiunge temperature molto elevate durante l'uso. Tenere viso e corpo lontani da sportelli e prese d'aria. Durante l'uso vengono espulsi vapore e aria calda.
- NON ostruire il flusso di combustione e ventilazione.
- Non coprire le griglie di cottura con fogli di alluminio. Il calore potrebbe non disperdersi e causare danni al grill.
- Non lasciare mai incustodite cenere o braci CALDE.
- Attendere che cenere e braci si siano raffreddate prima di rimuovere il vassoio della cenere.
- Il grill presenta una fiamma libera. Tenere mani, capelli e viso lontani dalle fiamme. NON chinarsi sopra il grill durante l'accensione. Capelli sciolti e abiti ampi possono prendere fuoco.
- Utilizzare guanti da barbecue quando si maneggia il grill o si lavora con il fuoco. Utilizzare guanti da barbecue o appositi utensili robusti a manico lungo quando si aggiunge legna o carbone.
- Le prese d'aria raggiungono TEMPERATURE MOLTO ELEVATE durante il funzionamento e il raffreddamento del grill; indossare guanti da barbecue prima di regolarle.
- Le prese d'aria superiore e inferiore raggiungono TEMPERATURE MOLTO ELEVATE mentre il grill è in funzione e durante il raffreddamento; indossare guanti da barbecue prima di regolarle.
- La griglia di cottura raggiunge TEMPERATURE MOLTO ELEVATE mentre il grill è in funzione e durante il raffreddamento; usare la massima cautela quando si tocca la griglia di cottura: indossare guanti da barbecue o utilizzare un utensile robusto a manico lungo.
- Iniziare la cottura solo quando sul carbone si è formato uno strato di cenere.
- Riscaldare il barbecue e mantenere a incandescenza il combustibile per almeno 30 minuti prima di iniziare a cuocere.
- Non utilizzare mai accendigrill liquidi, benzina, alcol o altri liquidi altamente volatili per accendere il carbone: potrebbero esplodere e causare lesioni o morte.
- Non caricare troppo la griglia del carbone: questo potrebbe causare gravi lesioni alle persone e danni al grill.
- Non utilizzare mai una quantità di carbone superiore a quella raccomandata (vedi sotto).
- **AVVERTIMENTO!** Questo barbecue raggiunge temperature molto elevate. Non spostarlo mentre è in funzione.
- **AVVERTIMENTO!** Tenere bambini e animali domestici lontani dall'apparecchio.
- **AVVERTIMENTO!** Non utilizzare alcool o benzina per accendere il fuoco o ravvivare la fiamma! Utilizzare esclusivamente accendifuoco conformi alla norma EN 1860-3!
- Non aggiungere mai accendifuoco liquido dopo che il carbone si è acceso. Seguire le indicazioni riportate sul contenitore dell'accendifuoco liquido.
- Per smaltire la cenere fredda, raccoglierla in un foglio di alluminio, immergerla in acqua e gettarla in un contenitore non infiammabile.
- Tenere il coperchio aperto durante la procedura di accensione.
- Quando si cucina a una temperatura superiore a 175°C, **aprire sempre il coperchio del grill lentamente e con attenzione di 5-8 cm, e "farlo sfatare" per 5 secondi.** Ciò eviterà i ritorni di fiamma (ondate incandescenti causate dal flusso di ossigeno).

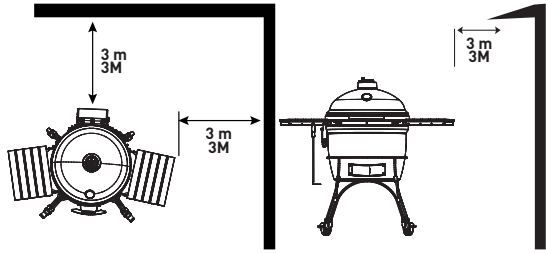
CARICARE AL MASSIMO 4,5 KG DI CARBONE PER IL FOCOLARE PRINCIPALE

**DISTANZE MINIME CONSENTITE**

Mantenere lati, retro e top del grill a una distanza minima di 3 m da strutture sovrastanti, muri, ringhiere o altre strutture infiammabili.

Mantenere una distanza minima di 3 m da tutti i materiali infiammabili come legno, piante, erba, rami, sterpi, carta, benzina o tela.

Questa distanza garantisce spazio adeguato per una corretta combustione, circolazione d'aria e ventilazione. Non utilizzare il grill su materiali infiammabili come pavimenti in legno o altri materiali infiammabili.

**CONSERVARE QUESTE ISTRUZIONI**

Il prodotto non viene fornito con carbone o legna.

MONTAGGIO DEL GRILL

UNBOXING

1. Tagliare le fasce in plastica e aprire l'imballo.
2. Mettere da parte tutte le scatole e i materiali di imballaggio.
3. Aprire il coperchio del grill e rimuovere tutti i componenti interni. Usare cautela e maneggiare i componenti con cura. La ceramica è fragile.

METODO DI SOLLEVAMENTO

Una volta rimossi i componenti interni, sollevare il grill dal contenitore e posizionarlo sul carrello, sul tavolo o sul sostegno. Prima di sollevarlo, assicurarsi che tutti i dadi delle cerniere e delle fasce siano serrati a fondo.

- A causa del peso del grill, per sollevarlo è necessario l'intervento di due o più persone.
- **Sollevare il grill utilizzando la cerniera posteriore e l'apertura inferiore anteriore come punti di sollevamento. Per farlo, indossare guanti da barbecue e usare la massima cautela, poiché alcuni componenti potrebbero essere taglienti.**
- SOLLEVARE il grill SOLO in due o più persone

INSTALLAZIONE

Posizionare il grill su una superficie solida e piana con un'adeguata protezione dal vento. Non spostare il grill quando è caldo e non lasciarlo incustodito mentre è in funzione.

Questo apparecchio è progettato per uso all'aperto, lontano da materiali infiammabili. È importante che non ci siano strutture sovrastanti e che si rispetti una distanza minima di 3 m dai lati e dal retro dell'apparecchio. È importante che le aperture di ventilazione dell'apparecchio siano libere. Utilizzare il barbecue su una superficie piana e stabile. Proteggere l'apparecchio da correnti d'aria diretta e da eventuali gocciolamenti d'acqua (es. pioggia).

GUIDA INCASSO

NOTE IMPORTANTI PER L'INSTALLAZIONE:

Utilizzare questa guida come guida generale per l'installazione del Kamado Joe a incasso su una cucina da esterno o su un tavolo per il barbecue. Si consiglia vivamente di misurare il grill che verrà fisicamente installato.

Fissare il tavolo a terra o a parete. Si consiglia di utilizzare materiali da costruzione non infiammabili.

REQUISITI DEL TAVOLO:

MATERIALE: Assicurarsi che i materiali utilizzati non siano infiammabili e che resistano a temperature elevate.

BASE: Assicurarsi di utilizzare il supporto Kamado Joe Jr o di creare uno spazio d'aria sotto il grill. NON posizionare il grill direttamente sulla superficie del tavolo senza uno spazio d'aria.

ACCESSO: Assicurarsi che la parte frontale sia libera in modo tale che la presa d'aria inferiore non sia bloccata.

DISTANZA: Assicurarsi di mantenere uno spazio sufficiente tra il piano del tavolo e il bordo del grill. Il piano del tavolo NON DEVE entrare in contatto diretto con il grill.

Istruzioni per l'uso

RISCALDAMENTO INIZIALE

Kamado Joe realizza i suoi prodotti con cura. La prestagionatura **NON** È necessaria per il primo utilizzo del Kamado Joe. Consigliamo tuttavia di seguire questi passaggi per il primo riscaldamento.

1. Assicurarsi che tutti gli elementi di fissaggio siano serrati prima di accendere il grill. Controllare tutte le fasce e le cerniere.
2. Lavare le griglie di cottura con un detergente delicato per piatti e lasciarle asciugare.
3. Accendere il grill seguendo le istruzioni di ACCENSIONE. Preparare un fuoco di piccole / medie dimensioni.
 - Non utilizzare mai più di 4,5 KG di carbone.
 - Posizionare sempre il carbone sul vassoio del carbone.
4. Mantenere la temperatura del grill sotto i 204°C per 1 ora durante la prima accensione o cottura.
5. Dopo la prima ora si può spegnere il grill.

DOPO IL PRIMO RISCALDAMENTO: a causa della natura della dilatazione e della contrazione termiche, potrebbe essere necessario apportare alcune regolazioni o serrare meglio dopo il riscaldamento iniziale.

- **FASCE:** Le fasce potrebbero aver perso un po' di tensione; fare riferimento alla sezione relativa alla regolazione delle fasce di questo manuale per verificare la tensione delle fasce. È del tutto normale regolarla frequentemente.
- **CERAMICA:** Dopo la prima cottura si potrebbero notare leggere screpolature nella porcellana. È il crazing, e fa parte delle caratteristiche naturali della porcellana.

ISTRUZIONI DI ACCENSIONE

1. Prima di cucinare, con l'utensile per le ceneri mescolare il carbone rimasto nel focolare per smuovere la cenere, che cadrà attraverso la griglia per il fuoco.
2. Smaltire tutta la cenere rimasta. Per smaltire la cenere fredda, raccoglierla in un foglio di alluminio, immergerla in acqua e gettarla in un contenitore non infiammabile.
3. Aggiungere carbone nel focolare e accendere usando uno o due accendifuoco.
4. Lasciare il coperchio e la presa d'aria inferiore completamente aperti per 10 minuti. Lasciare che il carbone si accenda.
5. Dopo che il carbone si è acceso, chiudere il coperchio.
6. Iniziare a chiudere e regolare le prese d'aria superiore e inferiore quando la temperatura sul coperchio è a 10°C dalla temperatura target.
7. Il Kamado Joe in ceramica trattiene bene il calore, pertanto potrebbe metterci un po' di tempo per scaldarsi in modo uniforme. Attendere 20-60 minuti che la temperatura si stabilizzi e la ceramica si riscaldi prima di iniziare a cucinare.

NOTA: Poiché la ceramica trattiene molto bene il calore, aumentare la temperatura del grill molto lentamente. È molto più semplice aumentare leggermente la temperatura piuttosto che abbassarla quando è troppo alta.

Istruzioni per l'uso

MANTENIMENTO DELLA TEMPERATURA

FLUSSO D'ARIA:

Per controllare la temperatura del grill è necessario regolare il flusso d'aria verso il fuoco. Aprendo e chiudendo le prese d'aria superiore e inferiore è possibile regolare la temperatura del grill.

- PIÙ ARIA = PIÙ CALORE (aprire le prese d'aria)
- MENO ARIA = MENO CALORE (chiudere le prese d'aria)

CARBONE:

Anche la quantità di carbone utilizzata quando si cuoce può influire notevolmente sul controllo della temperatura. Più carbone si accende, più calda può diventare la griglia.

- PIÙ CARBONE = PIÙ CALORE
- MENO CARBONE = MENO CALORE

NOTE SUL MANTENIMENTO DELLA TEMPERATURA:

- Le regolazioni delle prese d'aria non danno effetti immediati. Attendere 10-15 minuti dalla regolazione di una presa d'aria per avere un cambiamento di temperatura.
- Poiché la ceramica trattiene molto bene il calore, aumentare la temperatura del grill molto lentamente. È molto più semplice aumentare leggermente la temperatura piuttosto che abbassarla quando è troppo alta.

CONSIGLI PER LA COTTURA

SFIATARE il GRILL:

Quando si cucina a una temperatura superiore a 175°C, aprire sempre il coperchio del grill lentamente e con attenzione di 5-8 cm, e "farlo sfiatare" per 5 secondi. Ciò eviterà i ritorni di fiamma (ondate incandescenti causate dal flusso di ossigeno).

LIQUIDI:

Non versare liquidi all'interno o sul grill mentre è caldo.

SPEGNIMENTO

1. Al termine della cottura chiudere completamente la presa d'aria inferiore.
2. Pulire le griglie di cottura con un raschietto per griglie o un panno umido. Usare CAUTELA, raggiungono TEMPERATURE ELEVATE.
3. Quando la temperatura scende sotto i 205°C, chiudere la presa d'aria superiore.
4. Non coprire né pulire il grill finché il coperchio non è freddo al tatto (45°C).
5. Consultare le istruzioni per la pulizia e la cura per ulteriori passaggi di pulizia.

Pulizia e manutenzione

DOPO OGNI COTTURA

Il grill Kamado Joe è realizzato con materiali di qualità, quindi richiede livelli minimi di cura e manutenzione. Il modo migliore per proteggere il Kamado Joe dagli elementi atmosferici è usare una copertura per grill.

1. Prima della pulizia, assicurarsi che il grill si sia ben raffreddato e che il carbone sia completamente spento.
2. Usare l'utensile per le ceneri per mescolare il carbone rimasto nel focolare e rimuovere tutta la cenere rimasta. La cenere cadrà attraverso la griglia per il fuoco.
3. Smaltire tutta la cenere rimasta. Per smaltire la cenere fredda, raccoglierla in un foglio di alluminio, immergerla in acqua e gettarla in un contenitore non infiammabile.
4. Pulire bene l'esterno del grill con un panno umido per rimuovere eventuali residui di cibo e altro. Non strofinare eccessivamente la guarnizione, potrebbe danneggiarsi. La guarnizione si pulisce attraverso il ciclo termico naturale quando si utilizza il grill.
5. Coprire il grill con una copertura per grill e riporlo in un luogo fresco e asciutto.

NOTA: Se il deflettore termico si sporca durante il normale utilizzo, capovolgerlo durante la cottura successiva con il lato sporco rivolto verso il basso. Il calore del fuoco pulirà automaticamente quel lato della piastra deflettore.

AUTOPULIZIA

Si consiglia di completare questi passaggi secondo necessità. La frequenza di pulizia varierà a seconda di quanto spesso si utilizza il Kamado Joe e dell'ambiente circostante. Se all'interno del grill si formano muffe o funghi, si consiglia di seguire la procedura di autopulizia riportata di seguito.

Questa procedura permetterà di bruciare tutti i residui indesiderati all'interno del grill. Dopo aver completato i seguenti passaggi, prima di cucinare di nuovo, utilizzare una spazzola di setole morbide sulle ceramiche e sui deflettori termici per rimuovere eventuali residui.

1. Rimuovere le griglie di cottura e lavarle con un detergente delicato per piatti. Non rimontare le griglie di cottura prima del termine di questa sessione di pulizia.
2. Aggiungere carbone e accendere il grill.
3. Installare la struttura porta accessori, e il deflettore termico sulla struttura porta accessori: posizionare il deflettore termico nel grill con il lato sporco rivolto verso il basso.
4. Aprire completamente le prese d'aria superiore e inferiore e far arrivare la temperatura all'interno del grill a 315°C con il coperchio chiuso.
5. Mantenere la temperatura a circa 315°C per 15-20 minuti o fino a quando non ci sarà più fumo visibile.
6. Chiudere completamente la presa d'aria inferiore. Quando la temperatura scende sotto i 205°C, chiudere la presa d'aria superiore.
7. Lasciare che il grill si spenga.

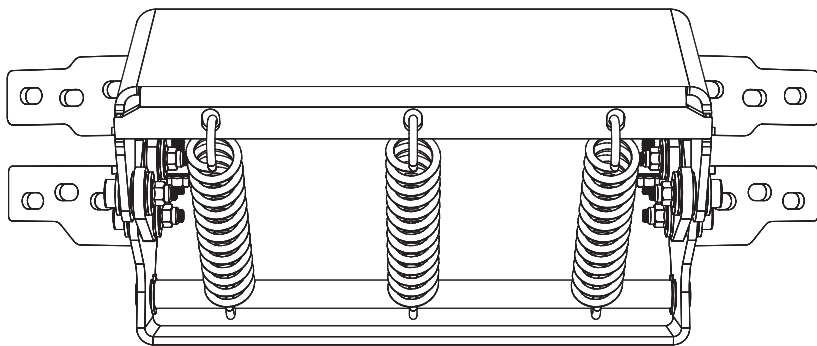
PULIZIA APPROFONDATA

Una o due volte all'anno pulire a fondo l'interno del grill.

1. Prima della pulizia, assicurarsi che il grill si sia ben raffreddato e che il carbone sia completamente spento.
2. Rimuovere i componenti interni ed eliminare eventuali residui di cenere o altro rimasti tra il corpo del grill e i componenti interni.
3. Utilizzare una spazzola di setole in plastica per pulire la superficie interna in ceramica.
4. Raccogliere o aspirare i residui dal fondo del grill.
5. Pulire la cerniera e l'esterno del grill.
6. Riposizionare tutti i componenti interni e prepararsi per la prossima sessione di cottura.

Sgancio della cerniera BIG JOE I

La cerniera sul BIG JOE I è già predisposta per garantire equilibrio e stabilità ottimali. Seguire queste istruzioni per sganciare la cerniera.



SGANCIARE LA CERNIERA SVITANDO GLI ELEMENTI DI FISSAGGIO DAL LATO DESTRO E DAL LATO SINISTRO. VEDI FIGURA 1.

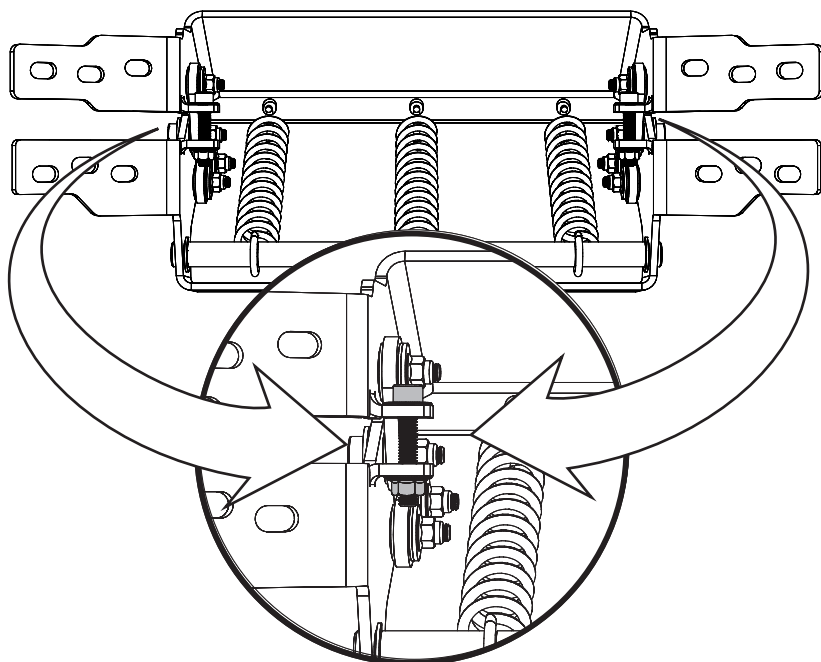
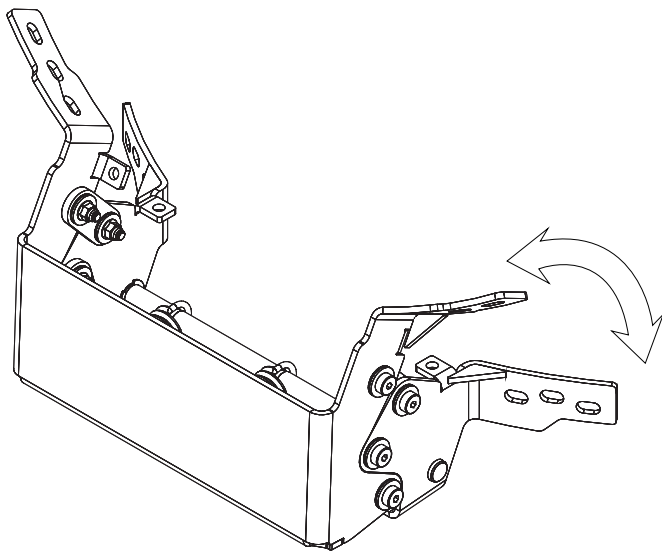
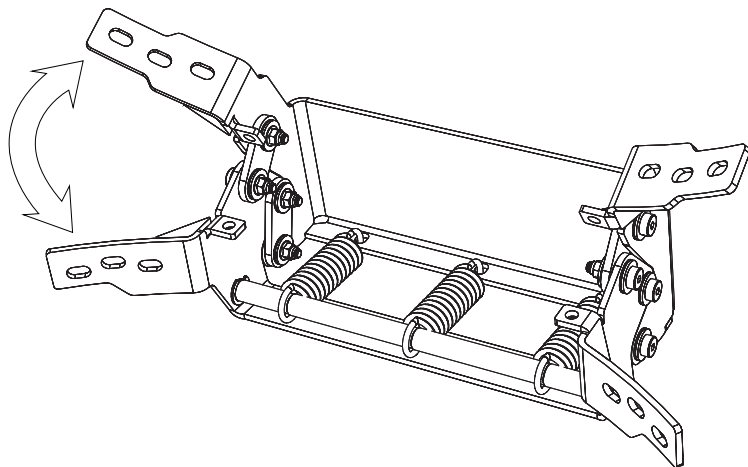


FIGURA 1.



DOPO LA RIMOZIONE DEGLI ELEMENTI PER LO SGANCIO, LA CERNIERA È LIBERA DI MUOVERSI SU E GIÙ.



**CONSERVARE GLI ELEMENTI PER LO SGANCIO DELLA CERNIERA. NON GETTARLI VIA.
SONO NECESSARI PER L'EVENTUALE SOSTITUZIONE DELLA CERNIERA.**

GARANZIA LIMITATA

La presente garanzia si applica a tutti i prodotti Kamado Joe®.

Garanzia limitata a vita sulle parti in ceramica

Kamado Joe® garantisce che le principali parti in ceramica utilizzate in questo grill e affumicatore Kamado Joe® sono prive di difetti di materiale e lavorazione, per il periodo in cui il grill resta in possesso dell'acquirente originale.

Garanzia di 5 anni su parti metalliche e Kettle Joe grill

Kamado Joe® garantisce che le principali parti in metallo e ghisa utilizzate in questo grill e affumicatore Kamado Joe® sono prive di difetti di materiale e lavorazione per un periodo di cinque (5) anni.

Garanzia di 3 anni su componenti elettronici, deflettori termici e pietre per pizza

Kamado Joe® garantisce che i principali componenti elettronici utilizzati in questo grill e affumicatore Kamado Joe® sono privi di difetti di materiale e lavorazione per un periodo di tre (3) anni.

Garanzia di 2 anni su componenti vari e accessori stand-alone

Kamado Joe® garantisce che tutti i componenti vari utilizzati in questo grill e affumicatore Kamado Joe® (inclusi, senza carattere limitativo, termometro, guarnizioni e controller iKamand) e tutti gli accessori Kamado Joe sono privi di difetti di materiale e lavorazione per un periodo di due (2) anni.

Garanzia limitata su uso commerciale

La presente garanzia presuppone un uso domestico normale e ammissibile e una corretta manutenzione prevista per tutti i prodotti Kamado Joe®. La presente garanzia non si applica in caso di uso commerciale, ad esempio da parte di ristoratori, macellai, società di noleggio o chioschi ambulanti. Kamado Joe® garantisce che tutti i grill e gli affumicatori Kamado Joe® utilizzati a livello commerciale sono privi di difetti di materiale e lavorazione per un periodo di un (1) anno.

Quando inizia la copertura della garanzia?

La copertura della garanzia inizia dalla data del primo acquisto e vale solo per l'acquirente originale. Perché la garanzia sia valida, è necessario registrare il prodotto Kamado Joe® utilizzando la pagina di registrazione prodotto sul nostro sito Web. Se si presenta un difetto di materiale o lavorazione durante il periodo di garanzia in condizioni di normale utilizzo e manutenzione, Kamado Joe®, a sua esclusiva discrezione, sostituirà o riparerà il componente difettoso senza addebitare il costo del componente stesso. La presente garanzia non copre la manodopera, né altri costi associati al servizio, alla riparazione o al funzionamento del grill. Kamado Joe® pagherà tutte le spese di spedizione per le parti in garanzia.

SOLO RESIDENTI IN AUSTRALIA: I nostri prodotti sono coperti da garanzie che non possono essere escluse ai sensi della Australian Consumer Law. L'acquirente ha diritto alla sostituzione o al rimborso in caso di guasto grave e al risarcimento per qualsiasi altro danno o perdita ragionevolmente prevedibile. Ha inoltre il diritto di far riparare o sostituire il prodotto qualora lo stesso non sia di qualità accettabile e il guasto non costituisca guasto grave.

Cosa non copre la garanzia?

La presente garanzia non copre danni causati da uso illegale o per scopi diversi da quelli per cui il prodotto è stato progettato, danni causati da uso, montaggio, manutenzione o installazione non corretti, danni causati da incidenti o calamità naturali, danni causati da modifiche o accessori non autorizzati o danni verificatisi durante il trasporto. La presente garanzia non copre i danni derivanti dalla normale usura dovuta all'utilizzo del prodotto (come graffi, ammaccature e scheggiature) o da modifiche dell'aspetto esterno del grill che non ne pregiudicano le prestazioni.

LA PRESENTE GARANZIA LIMITATA È ESCLUSIVA E SOSTITUISCE QUALSIASI ALTRA GARANZIA, SCRITTA O ORALE, ESPLICITA O IMPLICITA, INCLUSA, SENZA CARATTERE LIMITATIVO, LA GARANZIA DI COMMERCIALITÀ O IDONEITÀ A UNO SCOPO SPECIFICO. LA DURATA DI QUALSIASI GARANZIA IMPLICITA, INCLUSA QUALSIASI GARANZIA IMPLICITA DI COMMERCIALITÀ O IDONEITÀ A UNO SCOPO SPECIFICO, È ESPRESSAMENTE LIMITATA ALLA DURATA DEL PERIODO DI GARANZIA PER IL COMPONENTE APPLICABILE.

IL RIMEDIO ESCLUSIVO DELL'ACQUIRENTE IN CASO DI VIOLAZIONE DELLA PRESENTE GARANZIA LIMITATA O DI QUALSIASI GARANZIA IMPLICITA SARÀ LIMITATO, COME SPECIFICATO NEL PRESENTE DOCUMENTO, ALLA SOSTITUZIONE. IN NESSUN CASO KAMADO JOE® SARÀ RESPONSABILE PER EVENTUALI DANNI SPECIALI, ACCIDENTALI O CONSEGUENTI.

La presente garanzia viene fornita in aggiunta a tutti i diritti e rimedi previsti dalle leggi e dai regolamenti sulla protezione dei consumatori. La presente garanzia non pregiudica in alcun modo i diritti legali previsti dalle normative sulla garanzia legale vigenti nello stato o paese di residenza dell'acquirente. A seconda dello stato o paese di residenza dell'acquirente, le limitazioni alla durata della garanzia implicita o ai danni disponibili potrebbero non essere limitate dalla presente garanzia.

Cosa invalida la garanzia?

L'acquisto di qualsiasi prodotto Kamado Joe® tramite un rivenditore non autorizzato annulla la garanzia. Qualsiasi rivenditore cui Kamado Joe® non ha espressamente concesso l'autorizzazione di vendere i prodotti Kamado Joe® è un rivenditore non autorizzato.

PER RICHIESTE DI ASSISTENZA, SI PREGA DI CONTATTARCI

Le condizioni di garanzia possono essere occasionalmente modificate. Per una versione aggiornata della garanzia, visitare www.kamadोजoe.com/pages/warranty. Per assistenza o per richiedere una copia aggiornata della garanzia, contattare:

Nord America

Nord America
Kamado Joe ®
Premier Specialty Brands, LLC
5367 New Peachtree Road, Suite
150, Chamblee, GA 30341

<https://www.kamadोजoe.com/pages/support>

Unione europea

Kamado Joe Europe
Lange Voorhout 86, 2514 EJ
Den Haag, Netherlands
<https://international.kamadोजoe.com/pages/support>

Regno Unito

Kamado Joe UK Limited
Cheyenne House West Street,
Farnham GU9 7EQ
<https://international.kamadोजoe.com/pages/support>

Australia e Nuova Zelanda

Contattare il proprio rivenditore.

GARANZIA PER USO COMMERCIALE:

Ogni grill e affumicatore in ceramica Kamado Joe utilizzato in ambito commerciale è coperto da garanzia contro difetti di materiali e di fabbricazione, in condizioni di uso commerciale normale e ragionevole. La durata della garanzia è di un (1) anno a partire dalla data di acquisto da parte dell'acquirente o proprietario originale, che ha acquistato il prodotto presso un Rivenditore Autorizzato e registrato la garanzia secondo le modalità previste (la "Garanzia Commerciale"). La Garanzia Commerciale di un (1) anno copre tutte le parti del grill Kamado Joe, inclusi, senza carattere limitativo, il coperchio e la base in ceramica, tutti gli altri componenti in ceramica o metallo e gli accessori in caso di difetti di fabbricazione, lavorazione o materiali.

La presente garanzia non copre danni causati da abuso o uso per scopi diversi da quelli per cui il prodotto è stato progettato, danni causati da uso, montaggio, manutenzione o installazione non corretti, danni causati da incidenti o calamità naturali, danni causati da modifiche o accessori non autorizzati o danni verificatisi durante il trasporto (ad esempio, uso in ristoranti mobili, cucine itineranti, food truck o strutture simili).

La presente garanzia non copre i danni derivanti dalla normale usura dovuta all'utilizzo del prodotto (come graffi, ammaccature e scheggiature) o da modifiche dell'aspetto esterno del grill che non ne pregiudicano le prestazioni.

LA PRESENTE GARANZIA LIMITATA È ESCLUSIVA E SOSTITUISCE QUALSIASI ALTRA GARANZIA, SCRITTA O ORALE, ESPLICITA O IMPLICITA, INCLUSA, SENZA CARATTERE LIMITATIVO, LA GARANZIA DI COMMERCIALIZZABILITÀ O IDONEITÀ A UNO SCOPO SPECIFICO. LA DURATA DI QUALSIASI GARANZIA IMPLICITA, INCLUSA QUALSIASI GARANZIA IMPLICITA DI COMMERCIALIZZABILITÀ O IDONEITÀ A UNO SCOPO SPECIFICO, È ESPRESAMENTE LIMITATA ALLA DURATA DEL PERIODO DI GARANZIA PER IL COMPONENTE APPLICABILE.

KAMADOJOE®
SWEDISH

ENDAST FÖR UTOMHUSBRUK EJ FÖR KOMMERSIELLT BRUK.



VARNING



- Denna bruksanvisning innehåller viktig information som är nödvändig för en korrekt montering och säker användning av utrustningen.
- Läs och följ alla varningar och instruktioner innan montering och användning av utrustningen.
- Behåll denna bruksanvisning för framtida referens.

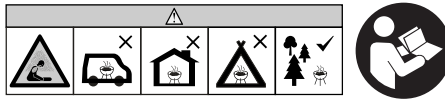


KOLMONOXIDFARA



Underlåtenhet att följa dessa instruktioner kan leda till brand, explosion eller brännskador som kan orsaka materiella skador, personskador eller dödsfall.

- Förbränning av träflis, träbitar, träpellets, träkol och propan avger kolmonoxid, som är luktfri och kan leda till döden.
- Bränn INTE flis, träbitar, träpellets, träkol eller propan i bostäder, fordon, tält, garage eller andra slutna utrymmen.
- Använd inte grillen i slutna och / eller bebodda utrymmen som hus, tält, husvagnar, husbilar, båtar. Använd inte grillen i slutna och / eller bebodda utrymmen som hus, tält, husvagnar, husbilar, båtar.
- ANVÄND ENDAST UTOMHUS där det är väl ventilerat.
- **FÖLJ DESSA RIKTLINJER FÖR ATT FÖRHINDRA ATT DU, DIN FAMILJ ELLER ANDRA BLIR FÖRGIFTADE AV DENNA FÄRGLÖSA, LUKTFRIA GAS.**
 - Känn till symptomen på kolmonoxidförgiftning: huvudvärk, yrsel, svaghet, illamående, kräkningar, sömnhighet och förvirring. Kolmonoxid minskar blodets förmåga att transportera syre. Låga syrenivåer i blodet kan resultera i förlust av medvetande och död
 - Uppsök läkare om du eller någon annan får förkylnings- eller influensaliknande symptom under matlagning eller i närheten av denna apparat. Kolmonoxidförgiftning, som lätt kan misstas för en förkylning eller influensa, upptäcks ofta för sent.
 - Alkoholkonsumtion och droganvändning ökar risken för kolmonoxidförgiftning.
 - *Kolmonoxid är särskilt giftigt för mamma och barn under graviditeten, spädbarn, äldre, rökare och personer med problem med blodet eller cirkulationssystemet, såsom anemi eller hjärtsjukdom.*



VARNINGAR OCH VIKTIGA SÄKERHETSFÖRESKRIFTER



LÄS ALLA INSTRUKTIONER

- Lämna inte grillen obevakad.
- Grillen är avsedd för HUSHÅLL UTOMHUS ENDAST FÖR ANVÄNDNING.
- Använd inte inomhus!
- Använd endast träkol som bränsle.
- Använd inte grillen när det blåser kraftigt!
- Stäng lock och spjäll för att kväva lågan.
- Gör inga ändringar på grillen.
- Överskrid inte en temperatur på 750°F (398°C) eller mer.
- Använd alltid grillen i enlighet med alla tillämpliga lokala, statliga och federala brandföreskrifter.
- Om varningarna inte följs kan grillen eller användaren skadas.
- Använd aldrig i slutna utrymmen som t.ex. uteplatser, garage, byggnader eller tält.
- Använd aldrig inuti eller på fritidsfordon eller båtar.
- Använd inte grillen i slutna och / eller bebodda utrymmen som hus, tält, husvagnar, husbilar, båtar. Risk för kolmonoxidförgiftning som kan orsaka dödsfall.
- Håll ett avstånd på minst 3 meter från överliggande konstruktioner, väggar, skenor eller andra strukturer.
- Håll ett avstånd på minst 3 meter från alla brännbara material, t.ex. trä, torra växter, gräs, sly och papper.
- Använd aldrig grillen under överliggande konstruktioner som t.ex. tak, carportar, markiser eller överhäng. (SE KRAV PÅ STRUKTURELL NÄRHET).
- Håll grillen ren och fri från brännbara material som bensin och andra brandfarliga ångor och vätskor.
- Använd grillen på ett plant, obrännbart och stabilt underlag, t.ex. jord, betong, tegel eller sten. En asfalterad yta (blacktop) kan inte godtas för detta ändamål.
- Använd inte grillen på trä eller brännbara ytor.
- Grillen MÅSTE stå på marken. Placera inte grillen på bord eller diskar. Flytta INTE grillen över ojämna ytor.

**VARNINGAR OCH VIKTIGA SÄKERHETSFÖRESKRIFTER**

- Grillen får endast användas på släta ytor.
- Grillen får aldrig flyttas uppför/nedför trappor eller ojämna ytor.
- Använd aldrig grillen som värmeelement (LÄS KOLMONOXIDFARA).
- Använd aldrig grillen till något annat än vad den är avsedd för. Denna grill är inte avsedd för kommersiellt bruk.
- Håll en brandsläckare tillgänglig hela tiden när du använder grillen.
- Vid matlagning med olja eller fett ska du ha en brandsläckare av typ BC eller ABC tillgänglig.
- Vid en olje- eller fettbrand får du inte försöka släcka med vatten. Ring omedelbart till brandkåren. En brandsläckare av typ BC eller ABC kan under vissa omständigheter begränsa branden.
- Kontrollera alla muttrar, skruvar och bultar före varje användning för att se till att de sitter fast och säkert.
- Användning av alkohol, receptbelagda eller receptfria läkemedel kan försämma användarens förmåga att montera ihop grillen på rätt sätt eller använda den på ett säkert sätt.
- Håll barn och husdjur alltid borta från grillen. Låt INTE barn använda grillen. Nära uppsyn krävs när barn eller husdjur befinner sig i närheten av grillen.
- Se till att inte någon befinner sig nära grillen antingen under användning eller innan den har svalnat.
- Knuffa eller slå INTE grillen för att förhindra personskador, skador på grillen eller att het vätska spiller eller stänker.
- Var mycket försiktig när du flyttar en apparat som innehåller het olja eller andra heta vätskor.
- Flytta aldrig grillen medan den används. Låt grillen svalna helt (under 115°F eller 45°C) innan den flyttas eller förvaras.
- Grillen är het när den används och kommer att förbli het under en tid efteråt och under kylningsprocessen. Var FÖRSIKTIG. Bär skyddshandskar / vantar.
- Rör inte vid HETA ytor Använd handtag eller knoppar.
- Använd aldrig köksredskap av glas, plast eller keramik i grillen. Placera aldrig tomma kokkärli i grillen under användning.
- Tillbehör som inte levereras av Kamado Joe® rekommenderas inte och kan orsaka personskador.
- Förvara aldrig grillen när den innehåller het aska eller kol. Ställ endast undan när grillen är helt släckt och alla ytor är kalla.
- Var försiktig när du tar mat från grillen. Alla ytor är HETA och kan orsaka brännskador. Använd skyddshandskar eller -vantar och långa, kraftiga matlagingsredskap för att skydda mot heta ytor eller stänk från matlagingsvätskor.
- Grillen är het under användning. För att undvika brännskador, håll ansiktet och kroppen borta från luckor och ventiler. Ånga och varm luft kommer ut under användning.
- TÄPP INTE flödena av förbränning och ventilation.
- Täck inte matlagingsgallret med metallfolie. Detta kommer dra åt sig värme och kan orsaka skador på grillen.
- Lämna aldrig GLÖDANDE kol eller aska obevakad.
- Ta inte ut asklådan medan askan och kolet är VARMT.
- Grillen har en öppen låga. Håll händerna, håret och ansiktet borta från elden. Luta dig INTE över grillen under tändning. Långt hår och löst sittande kläder kan börja brinna.
- Använd skyddshandskar vid hantering av denna grill eller när du arbetar med eld. Använd skyddshandskar eller långa, robusta brasverktyg när du lägger i ved eller kol.
- Spjällen är HETA under användning och kommer att fortsätta att vara HETA medan de svalnar; bär skyddshandskar när du justerar grillen.
- Den övre ventilen och det nedre spjället är VARMA när grillen används och under avkylningen; använd skyddshandskar när du justerar dem.
- Grillgallret är VARMT när grillen används och under avkylning; var ytterst försiktig om du vidrör grillgallret, använd skyddshandskar eller ett robust verktyg med långt skaft.
- Tillaga inte mat förrän kolet är täckt av aska.
- Grillen ska vara uppvärmd och bränslat ska vara glödhet i minst 30 minuter före den första tillagningen.
- Använd aldrig tändvätska för träkol, bensen, alkohol eller andra lättflyktiga vätskor som är mycket för att tända träkol. Dessa vätskor kan explodera och orsaka personskador eller dödsfall.
- Fyll aldrig på grillen för mycket. Detta kan leda till allvarliga personskador samt skador på grillen.
- Använd aldrig mer än den rekommenderade mängden grillkol (se nedan).
- VARNING! Grillen blir mycket varm, rör den inte under drift.
- VARNING! Håll barn och husdjur borta.
- VARNING! Använd inte sprit eller bensen för tändning eller omtändning! Använd endast tändare som uppfyller kraven i EN 1860-3!
- Håll aldrig på ytterligare tändvätska när kolet har antänts. Följ anvisningarna på behållaren med tändvätska
- Gör dig av med aska genom att placera den i aluminiumfolie, blötlägga den i vatten och kasta den i en obrännbar behållare.
- Håll locket öppet under tändningsprocessen.
- Vid tillagning över 175°C (350°F), **försiktigt och långsamt öppna grilllocket 2-3 tum (5-8 cm) och "rapa" grillen i 5 sekunder** varje gång du lyfter kupolen. Detta kommer att förhindra flashback - en våg av vitglödga hetta orsakad av en syrebrist.

ÖVERSKRID INTE TOTALT 10 LBS / 4,5 KG KOL FÖR HUVUDBRÄNNKAMMAREN



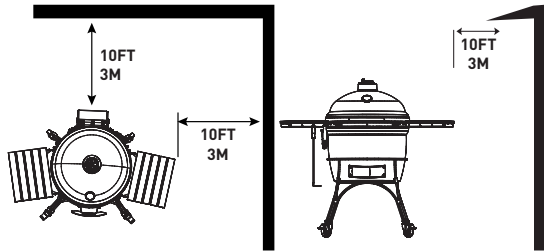
KRAV PÅ ATT HÅLLA AVSTÅND



Håll ett avstånd på minst 10 ft (3 m) från grillens baksida, sidor och ovsida till alla överliggande konstruktioner, väggar, skenor eller andra brännbara konstruktionsmaterial.

Håll ett avstånd på minst 3 m (10 ft) från alla brännbara och lättantändliga material såsom trä, växter, gräs, penslar, papper, bensin eller duk.

Detta avstånd ger tillräckligt utrymme för korrekt förbränning, luftcirkulation och ventilation. Grill ska inte användas på brännbara material som trädäck eller andra brännbara material.



SPARA DESSA ANVISNINGAR

Den här produkten levereras inte med träkol eller träbitar.

GRILLINSTÄLLNING

PACKA UPP

1. Klipp av plastbanden och öppna transportbehållaren.
2. Ställ alla lådor och förpackningsmaterial åt sidan.
3. Öppna grillens kupol och ta bort alla interna komponenter. Var försiktig och hantera komponenterna varsamt. Keramiken kan gå sönder.

LYFTMETOD

När grillens inre delar har avlägsnats lyfter du grillen ur behållaren och ställ ner i vagnen eller bordet eller stativet. Kontrollera före lyftet att alla band- och gångjärnsmuttrar är åtdragna och säkrade.

- På grund av grillens vikt krävs det två eller flera personer för att lyfta grillen.
- **Lyft grillen genom att använda det bakre gångjärnet och den främre nedre öppningen som lyftpunkter. Använd skyddshandskar vid lyft och var ytterst försiktig, vissa komponenter kan vara vassa.**
- Lyft INTE grillen utan att två eller flera personer hjälper till

Hur man kommer igång

Ställ grillen på ett fast, plant underlag med tillräckligt vindskydd. Flytta inte grillen när den är varm och lämna den inte utan uppsikt under drift.

Denna apparat är avsedd att användas utomhus, på avstånd från brännbara material. Det är viktigt att det inte finns några hinder ovanför apparaten och att det finns ett minsta avstånd på 10 fot (3 m) från sidan eller baksidan av apparaten. Det är viktigt att apparatens ventilationsöppningar inte blockeras. Grillen måste användas på ett jämnt och stabilt underlag. Apparaten skall skyddas mot direkt drag och placeras eller skyddas mot direkt inträngning av rinnande vatten (t.ex. regn).

INBYGGD GUIDE

VIKTIGA INSTALLATIONSANVISNINGAR:

Använd detta som en allmän vägledning för installation av din Kamado Joe i ett inbyggt utekök eller grillbord. Vi rekommenderar starkt att själva grillen som installeras, mäts.

Bordet ska fästas på marken eller väggen. Vid byggnation krävs icke brandfarligt byggmaterial.

KRAV PÅ BORD:

MATERIAL: Se till att de material som används är obrännbara och klarar höga temperaturer.

BAS: Se till att Kamado Joe Jr-stativet används eller att det finns en luftspalt under grillen. Placera INTE grillen direkt på bordsytan utan luftspalt.

TILLTRÄDE: Se till att det finns åtkomst framifrån så att den nedre luftventilen inte blockeras.

LÖSNING: Se till att det finns tillräckligt med utrymme mellan bordsskivan och grillkanten. Din bordsskiva får INTE ha direkt kontakt med grillen.

Driftsanvisningar

INLEDANDE UPPVÄRMNING

Kamado Joe tillverkar sina produkter med omsorg. Förkryddning krävs INTE inför den första användningen av din Kamado Joe. Vi rekommenderar dock att du följer stegen nedan inför din första uppvärmning.

1. Kontrollera att alla beslag är åtdragna innan du startar grillen. Se till att kontrollera alla band och gångjärn.
2. Tvätta gallret med mildt diskmedel och låt torka.
3. Starta grillen genom att följa instruktionerna för TÄNDNING Gör upp en liten/medelstor eld.
 - Använd inte mer än 10 LBS / 4,5 KGS träkol.
 - Lägg alltid grillkol på grillkolsbehållaren.
4. Håll grillen under^{400OF (204OC)} i 1 timme när du eldar för första gången eller vid tillagning.
5. Efter den första timmen kan du stänga av grillen.

EFTER DEN FÖRSTA UPPVÄRMNINGEN: på grund av termisk expansion och sammandragning kan vissa justeringar eller åtdragningar behövas efter den första uppvärmningen.

- **BAND:** Du kanske märker att dina band har förlorat lite spänning, se avsnittet om bandjustering i den här handboken för att kontrollera bandens spänning. Regelbundna justeringar är helt normalt.
- **KERAMIK:** Efter den första tillagningen kan du se lätta sprickor i porslinet. Detta kallas krackelering och är en del av porslinets naturliga egenskaper.

ANVISNINGAR FÖR TÄNDNING

1. Innan du lagar mat, använd askverktyget för att röra om i den återstående grillkolen i eldstaden så att all lös aska avlägsnas. Lös aska faller genom eldstadsgallret.
2. Ta bort all lös aska. Gör dig av med aska genom att placera den i aluminiumfolie, blötlägga den i vatten och kasta den i en obrännbar behållare.
3. Tillsätt träkol i eldstaden och tänd med en eller två eldstartare.
4. Låt kupolen och bottenventilen vara helt öppna i 10 minuter. Låt grillkolen antändas.
5. Stäng kupolen när kolet har antänts.
6. Börja stänga och justera den övre och nedre ventilen när temperaturen är inom^{500F (100C)} från måltemperaturen.
7. Eftersom din keramiska Kamado Joe är så isolerande kan det ta lite tid innan den är helt förvärmad. Ge grillen 20 - 60 minuter att stabilisera temperaturen och värma keramiken innan du börjar laga mat.

OBS: Eftersom keramik håller värmen så bra bör du bara höja grilltemperaturen något och långsamt. Det är mycket lättare att öka värmen något än det är att sänka temperaturen efter att ha eldat för mycket.

Driftsanvisningar

HÅLLA TEMPERATUREN

LUFTFLÖDE:

För att kunna reglera temperaturen i din grill måste du reglera mängden luft som strömmar till elden. Genom att öppna och stänga de övre och nedre spjällen kan du justera temperaturen på grillen.

- MER LUFT = MER VÄRME (öppna ventilerna)
- MINDRE LUFT = MINDRE VÄRME (stäng ventilerna)

TRÄKOL:

Mängden träkol som används vid grillning kan också ha stor inverkan på din förmåga att kontrollera temperaturen. Ju mer kol som antänds, desto varmare kan grillen bli.

- MER KOL = MER VÄRME
- MINDRE KOL = MINDRE VÄRME

ANMÄRKNINGAR OM TEMPERATURUNDERHÅLL:

- Justeringar av ventiler / spjäll ger inte omedelbar effekt. Ha tålamod och räkna med 10-15 minuter från det att ventilen har justerats tills temperaturförändringen börjar synas.
- Eftersom keramik håller värmen så bra bör du bara höja grilltemperaturen något och långsamt. Det är mycket lättare att öka värmen något än det är att sänka temperaturen efter att ha eldat för mycket.

MATLAGNINGSTIPS

BRÄNNING av grillen:

Vid tillagning över^{350°F (175°C)}, öppna försiktigt grilllocket 2-3 tum (5-8 cm) och "rapa" grillen i cirka 5 sekunder varje gång du lyfter kupolen. Detta kommer att förhindra en flash-back - en våg av vit hetta som orsakas av en rusning av syre.

VÄTSKOR:

Spill inte vätskor inuti eller på grillen när den är varm.

STÄNGA

1. När du är klar med matlagningen stänger du den nedre ventilen helt och hållet.
2. Rengör grillgallret med en gallerskrapa eller en fuktig trasa. Var FÖRSIKTIG, de kommer att bli varma.
3. När temperaturen sjunkit under^{400°F (205°C)}, stäng den övre ventilen.
4. Täck inte över grillen och rengör den inte förrän kupolen är sval vid beröring (^{1150°F} 650°C).
5. Läs rengörings- och skötselansvisningarna för ytterligare rengöringssteg.

Rengöring och skötsel

VARJE GRILLNING

Din Kamado Joe-grill är tillverkad av material av hög kvalitet, så skötsel och underhåll blir minimala. Det bästa sättet att skydda din Kamado Joe från väder och vind är med ett grillskydd.

1. Innan du rengör grillen ska du se till att den har svalnat helt och att all grillkol har släckts.
2. Använd askverktyget för att röra om den återstående grillkolen i eldstaden så att all lös aska avlägsnas. Lös aska faller genom eldstadsgallret.
3. Ta bort all lös aska. Gör dig av med aska genom att placera den i aluminiumfolie, blötlägga den i vatten och kasta den i en obrännbar behållare.
4. Torka av grillens utsida med en fuktig trasa för att avlägsna spillda ingredienser och skräp. Skrubba inte packningen för hårt, det kan orsaka skador. Packningen kommer att rengöras genom naturlig värmeväxling när du använder din grill.
5. Täck över grillen med ett grillskydd och förvara på en sval och torr plats.

OBS: När värmeavledaren blir smutsig vid normal användning vänder du den med den smutsiga sidan nedåt inför nästa tillagning. Värmen från elden gör att den sidan av deflektorplåten rengörs automatiskt.

SJÄLVRENGÖRING

Vi rekommenderar att du utför dessa steg vid behov. Rengöringsfrekvensen varierar beroende på hur ofta du använder din Kamado Joe och din miljö. Om det uppstår mögel på insidan av grillen rekommenderar vi att du utför självrengöringsstegen nedan.

Denna process kommer att bränna bort oönskade rester inuti grillen. När du har utfört stegen nedan bör du använda en mjuk borste på keramiken och värmeavledarna för att avlägsna eventuella rester innan du börjar laga mat igen.

1. Ta bort spishällarna och diska med ett mildt diskmedel. Spisgallren ska vara borttagna under denna rengöring.
2. Tillsätt grillkol och tänd grillen.
3. Montera tillbehörsstället och värmeavledaren på tillbehörsstället - placera värmeavledaren i grillen med den smutsiga sidan nedåt.
4. Öppna de övre och nedre luftventilerna helt och låt temperaturen inuti grillen stiga till 315°C (600°F) med kupolen stängd.
5. Håll temperaturen på ca 600°F (315°C) i 15-20 minuter eller tills det inte finns någon synlig rök.
6. Stäng bottenventilen helt. När temperaturen sjunker under^{600°F (205°C)}, stäng den övre ventilen helt.
7. Låt grillen stängas av.

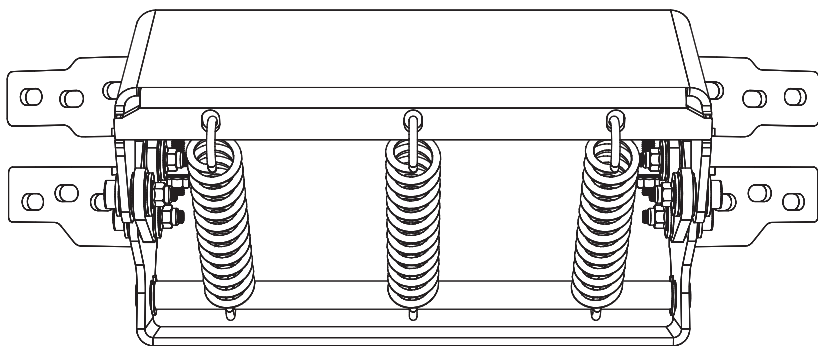
DJUPRENGÖRING

En eller två gånger om året, bör du utföra en mer noggrann rengöring av grillens insida.

1. Innan du rengör grillen ska du se till att den har svalnat helt och att all grillkol har släckts.
2. Avlägsna de inre delarna och ta bort eventuell aska eller skräp som fastnat mellan grillens stomme och de inre delarna.
3. Använd en plastborste för att rengöra den inre keramiska ytan.
4. Skopa upp eller dammsug bort skräp från grillens botten.
5. Torka av gångjärnet och grillens utsida.
6. Byt ut alla interna komponenter och gör dig redo för nästa grillning.

BIG JOE I Frigöring av gångjärn

Gångjärnet på Big Joe I är redan justerat för en perfekt balans och stabilitet. Följ dessa instruktioner för att frigöra gångjärnet.



FRIGÖR GÅNGJÄRNET GENOM ATT SKRUVA LOSS HÅRDVARAN FRÅN HÖGER OCH VÄNSTER SIDA. SE BILD 1.

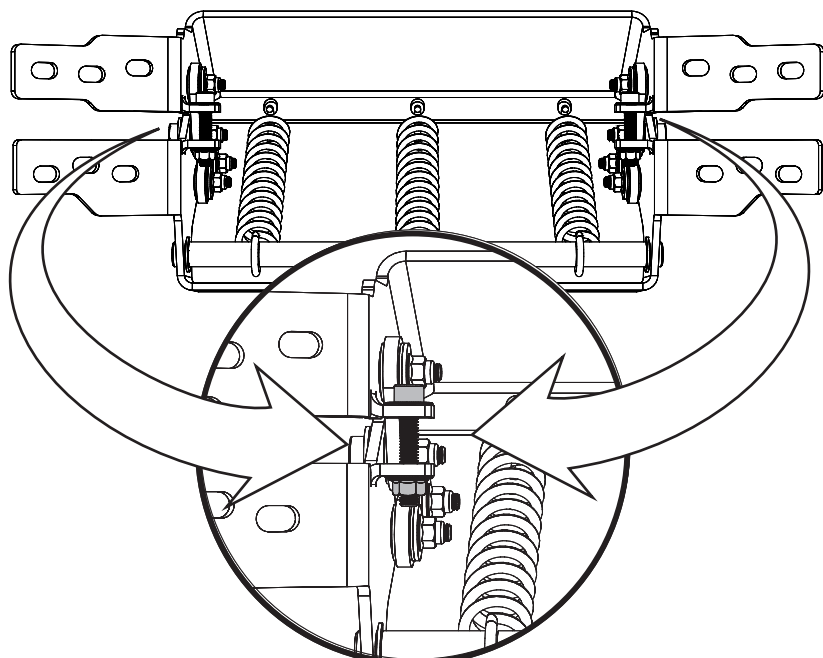
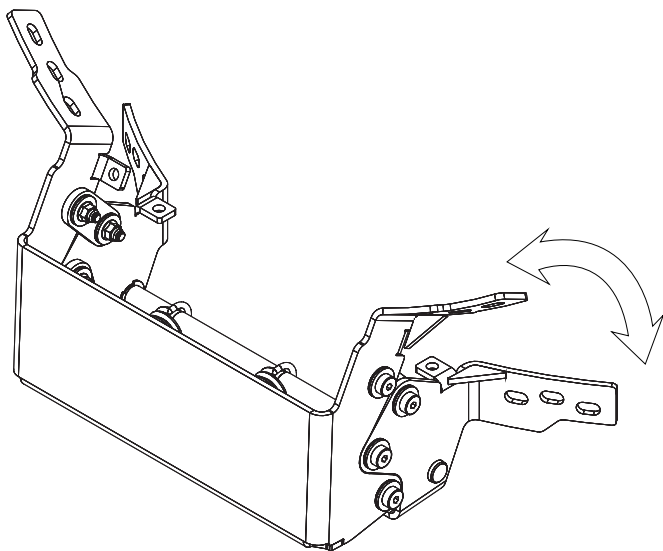
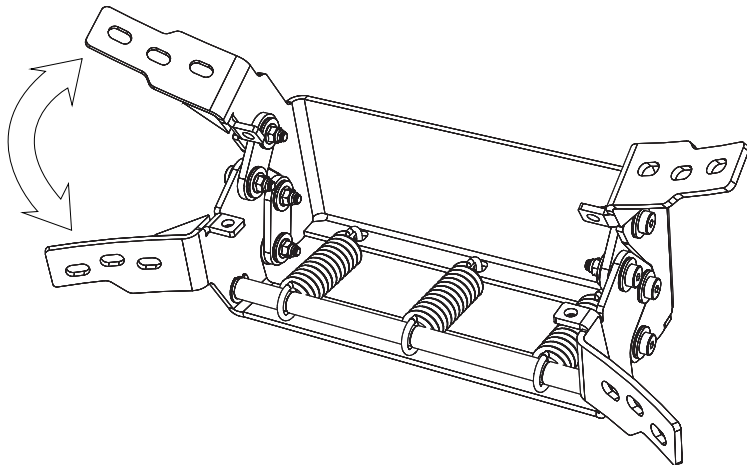


BILD 1.



EFTER FRIGÖRANDE KAN GÅNGJÄRNET HÖJAS ELLER SÄNKAS.



SPARA FRIGÖRINGSVERKTYGET. SLÄNG DET INTE. HÅRDVARAN KRÄVS OM
GÅNGJÄRNET BEHÖVER BYTAS UT.

BEGRÄNSAD GARANTI

Denna garanti gäller för alla Kamado Joe®-produkter.

Begränsad livstidsgaranti på keramiska delar

Kamado Joe® garanterar att de viktigaste keramiska delarna som används i denna Kamado Joe® grill och rök är fria från material- och tillverkningsfel så länge som den ursprungliga köparen äger grillen.

5 ÅRS GARANTI PÅ METALLDELAR OCH KETTLE JOE GRILLAR

Kamado Joe® garanterar att de viktigaste metalldelar och gjutjärnsdelar som används i denna Kamado Joe® grill och rök är fria från material- och tillverkningsfel under en period av fem (5) år.

3 ÅRS GARANTI PÅ ELEKTRONISKA KOMPONENTER, VÄRMEAVLEDARE OCH PIZZA STENAR

Kamado Joe® garanterar att de elektroniska komponenterna i denna Kamado Joe® grill och rök är fria från material- och tillverkningsfel under en period av tre (3) år.

2 ÅRS GARANTI PÅ DIVERSE KOMPONENTER OCH STÅENDE TILLBEHÖR

Kamado Joe® garanterar att alla diverse komponenter som används i denna Kamado Joe® grill och rök (inklusive, men inte begränsat till termometer, packningar och iKamand-styrenheter) eller Kamado Joe-tillbehör är fria från material- och tillverkningsfel under en period av två (2) år.

BEGRÄNSAD GARANTI FÖR KOMMERSIELL ANVÄNDNING

Garantin förutsätter normal och rimlig hushållsanvändning i kombination med förväntat gott underhåll av alla Kamado Joe®-produkter. Garantin gäller inte för kommersiell användning, t.ex. av cateringföretag, slakterier, uthyrningsföretag och matbilar. Kamado Joe® garanterar att alla Kamado Joe® grillar och rökar som används i kommersiella tillämpningar är fria från defekter i material och utförande under en period av ett (1) år

När börjar garantitäckningen?

Garantitäckningen börjar på det ursprungliga inköpsdatumet och täcker bara den ursprungliga köparen. För att garantin ska gälla måste du registrera din Kamado Joe®-produkt via produktregistreringssidan på vår hemsida. Om du upptäcker ett material- eller tillverkningsfel under den tillämpliga garantiperioden vid normal användning och normalt underhåll kommer Kamado Joe® att efter eget gottfinnande ersätta eller reparera den defekta komponenten utan kostnad för själva komponenten. Denna garanti gäller inte arbete eller andra kostnader i samband med service, reparation eller drift av grillen. Kamado Joe betalar alla fraktkostnader för garantidelar.

ENDAST AUSTRALIENSISKA INVÅNARE: Våra varor har garantier som inte kan uteslutas enligt den australiska konsumentlagen. Du har rätt till en ersättning eller återbetalning för ett större fel och kompensation för alla andra rimliga förutsebara förluster eller skador. Du har även rätt att få varan reparerad eller utbytt om varan inte håller god kvalitet och felet inte innebär ett större fel.

Vad som inte omfattas?

Denna garanti gäller inte skador som orsakas av missbruk eller användning av produkten för andra ändamål än för vilka den är konstruerad. Skador som orsakas av brist på korrekt användning, montering, underhåll eller installation, skador orsakade av olyckor eller naturkatastrofer, skador orsakade av obehöriga tillbehör eller modifieringar eller skador under transport gäller inte. Denna garanti täcker inte skador från normalt slitage från användning av produkten (t.ex. repor, bucklor, etc) eller förändringar i utseendet på grillen som inte påverkar dess prestanda.

DEN BEGRÄNSADE GARANTIN ÄR EXKLUSIV OCH GÄLLER I STÄLLET FÖR ANNAN GARANTI, SKRIFTLIG ELLER MUNTLLIG, UTTRYCKLIG ELLER UNDERFÖRSTÅDD, INKLUSIVE MEN INTE BEGRÄNSAD TILL GARANTIN OM SÄLJBARHET ELLER LÄMPLIGHET FÖR ETT VISST ÄNDAMÅL. VARAKTIGHETEN AV ALLA UNDERFÖRSTÅDDA GARANTIER, INKLUSIVE ALLA UNDERFÖRSTÅDDA GARANTIER FÖR SÄLJBARHET ELLER LÄMPLIGHET FÖR ETT VISST ÄNDAMÅL, ÄR UTTRYCKLIGEN BEGRÄNSAD TILL VARAKTIGHETEN AV GARANTIPERIODEN FÖR DEN TILLÄMPLIGA KOMPONENTEN.

KÖPARENS EXKLUSIVA ÅTGÄRD VID BROTT MOT DENNA BEGRÄNSADE GARANTI ELLER MOT NÅGON UNDERFÖRSTÅDD GARANTI SKA BEGRÄNSAS TILL UTBYTE ENLIGT VAD SOM ANGES HÄR. KAMADO JOE® SKA UNDER INGA OMSTÄNDIGHETER HÅLLAS ANSVARIG FÖR SPECIFIKA SKADOR, TILLFÄLLIGA SKADOR ELLER FÖLJDSKADOR.

Denna garanti ges till dig utöver alla rättigheter och möjligheter som du har enligt lagar och förordningar om konsumentskydd. Denna garanti påverkar inte på något sätt dina juridiska rättigheter enligt lagstadgade garantibestämmelser i din stat eller ditt hemland. Beroende på din stat eller ditt bosättningsland kan begränsningar av längden på en underförstådd garanti eller skadestånd som du har tillgång till inte begränsas av denna garanti.

Vad kommer att ogiltigförklara garantin??

Om du köper en Kamado Joe®-produkt genom en obehörig återförsäljare upphör garantin att gälla. En obehörig återförsäljare definieras som en återförsäljare som inte uttryckligen har fått tillstånd av Kamado Joe® att sälja Kamado Joe®-produkter.

BEHÖVA HJÄLP? KONTAKTA OSS

Våra garantivillkor kan ändras från tid till annan. En uppdaterad version av vår garanti finns på www.kamadोजoe.com/pages/warranty. För hjälp eller för att begära en uppdaterad kopia av vår garanti, kontakta oss på nedan.

Nordamerika

Nordamerika
Kamado Joe ®
Premier Specialty Brands, LLC
5367 New Peachtree Road, Suite
150, Chamblee, GA 30341
<https://www.kamadोजoe.com/pages/stöd>

Europeiska unionen

Kamado Joe Europa
Lange Voorhout 86, 2514 EJ
Den Haag, Nederländerna
<https://international.kamadोजoe.com/pages/support>

Storbritannien

Kamado Joe UK Limited
Cheyenne House West Street,
Farnham GU9 7EQ
<https://international.kamadोजoe.com/pages/support>

Australien och Nya Zeeland

Kontakta din återförsäljare.

GARANTI FÖR KOMMERSIELLT BRUK:

Varje Kamado Joe keramisk grill och rökare som används i en kommersiell miljö garanteras vara fri från defekter i material och utförande vid normal och rimlig kommersiell användning under en period av ett (1) år från inköpsdatumet till den ursprungliga köparen eller ägaren som köpte produkten från en auktoriserad återförsäljare och registrerade sin garanti enligt krav ("Kommersiell garanti"). Denna ett (1) års kommersiella garanti täcker alla delar av Kamado Joe, inklusive utan begränsning, den keramiska kupolen och basen, plus alla andra keramiska, metall- och tillbehörskomponenter från tillverknings-, utförande- eller materialdefekter.

Denna garanti gäller inte skador orsakade av missbruk eller användning av produkten för andra ändamål än de som den är avsedd för, skador orsakade av bristande användning, montering, underhåll eller installation, skador orsakade av olyckor eller naturkatastrofer, skador orsakade av obehöriga tillbehör eller modifieringar, eller skador under transport (såsom användning i mobila eller pop-up-restauranger, eller inom food trucks eller andra mobila kök). Denna garanti täcker inte skador från normalt slitage från användning av produkten (till exempel repor, bucklor, märken och flisor) eller förändringar i grillens utseende som inte påverkar dess prestanda.

DENNA BEGRÄNSADE GARANTI ÄR EXKLUSIV OCH ERSÄTTER ALLA ANDRA GARANTIER, SKRIFTLIGA ELLER MUNTliga, UTTRYCKLIGA ELLER UNDERFÖRSTÅDDA, INKLUSIVE MEN INTE BEGRÄNSAT TILL GARANTIN OM SÄLJBARHET ELLER LÄMPLIGHET FÖR ETT SÄRSKILT SYFTE. VARAKTIGHETEN AV EVENTUELLA UNDERFÖRSTÅDDA GARANTIER, INKLUSIVE EVENTUELL UNDERFÖRSTÅDD GARANTI OM SÄLJBARHET ELLER LÄMPLIGHET FÖR ETT SÄRSKILT SYFTE, ÄR UTTRYCKLIGEN BEGRÄNSAD TILL GARANTIPERIODENS VARAKTIGHET FÖR DEN GÄLLANDE KOMPONENTEN.

KAMADOJOE®