

DE'LONGHI

COOKING

INSTALLATION & USER INSTRUCTIONS

DSRM ..G
GAS COOKER



CONTENTS

Page Number

Introduction.....	3
Important Safeguards & Recommendations.....	4 - 9
Advice for the installer.....	10
Installation.....	10 - 14
Gas section.....	15 - 22
Electrical section.....	22 - 23
Advice for the user.....	24
Cooking Hob.....	24
Control Panel.....	25
Use of the hob burners.....	25 - 27
Gas oven.....	28 - 30
Oven temperature guide.....	31
120 minute timer.....	31
Cleaning & maintenance.....	32 - 37
Guarantee & After Sales Service.....	38

Dear Customer,

Thank you for purchasing a De'Longhi DSRM ..G, gas cooker.

The safety precautions and recommendations reported below are for your own safety and that of others. They will also provide a means by which to make full use of the features offered by your appliance.

Please preserve this booklet carefully. It may be useful in future, either to yourself or to others in the event that doubts should arise relating to its operation.

This appliance must be used only for the task it has explicitly been designed for, that is for cooking foodstuffs. Any other form of usage is to be considered as inappropriate and therefore dangerous.

The manufacturer declines all responsibility in the event of damage caused by improper, incorrect or illogical use of the appliance.

DECLARATION OF CE CONFORMITY

- This appliance has been designed to be used only for cooking. Any other use (such as heating a room) is improper and dangerous.
- This appliance has been designed, constructed, and marketed in compliance with:
 - Safety requirements of the "Gas" Regulation (EU) 2016/426;
 - Safety requirements of the "Low voltage" Directive 2014/35/EU;
 - Safety requirements of the "EMC" Directive 2014/30/EU;
 - Requirements of EU Directive 93/68/EEC;
 - Requirements of EU Directive 2011/65/EU.



IMPORTANT INFORMATION FOR CORRECT DISPOSAL OF THE PRODUCT IN ACCORDANCE WITH EC DIRECTIVE 2012/19/EC.

At the end of its working life, the product must not be disposed of as urban waste. It must be taken to a special local authority differentiated waste collection centre or to a dealer providing this service.

Disposing of a household appliance separately avoids possible negative consequences for the environment and health deriving from inappropriate disposal and enables the constituent materials to be recovered to obtain significant savings in energy and resources. As a reminder of the need to dispose of household appliances separately, the product is marked with a crossed-out wheeled dustbin.



IMPORTANT SAFETY PRECAUTIONS AND RECOMMENDATIONS

IMPORTANT: This appliance is designed and manufactured solely for the cooking of domestic (household) food and is not suitable for any non domestic application and therefore should not be used in a commercial environment.

The appliance guarantee will be void if the appliance is used within a non domestic environment i.e. a semi commercial, commercial or communal environment.

Read the instructions carefully before installing and using the appliance.

- This appliance has been designed and manufactured in compliance with the applicable standards for the household cooking products and it fulfills all the safety requirements shown in this manual, including those for surface temperatures. Some people with sensitive skin may have a more pronounced temperature perception with some components although these parts are within the limits allowed by the norms. The complete safety of the appliance also depends on the correct use, we therefore recommend to always pay a extreme attention while using the product, especially in the presence of children.
- After having unpacked the appliance, check to ensure that it is not damaged and that the oven door closes correctly. In case of doubt, do not use it and consult your supplier or a professionally qualified technician.
- Packing elements (i.e. plastic bags, polystyrene foam, nails, packing straps, etc.) should not be left around within easy reach of children, as these may cause serious injuries.
- Some appliances are supplied with a protective film on steel and aluminium parts. **This film must be removed before using the appliance.**
- **IMPORTANT:** The use of suitable protective clothing/gloves is recommended when handling or cleaning this appliance.
- Do not attempt to modify the technical characteristics of the appliance as this may become dangerous to use. The

manufacturer declines all responsibility for any inconvenience resulting from the inobservance of this condition.

- CAUTION: this appliance must only be installed in a permanently ventilated room in compliance with the applicable regulations.
- Do not operate your appliance by means of an external timer or separate remote-control system.
- Do not carry out cleaning or maintenance operations on the appliance without having previously disconnected it from the electric power supply.
- WARNING: Ensure that the appliance is switched off before replacing the oven lamp to avoid the possibility of electric shock.
- Do not use a steam cleaner because the moisture can get into the appliance therefore making it unsafe.
- Do not touch the appliance with wet or damp hands (or feet).
- Do not use the appliance whilst in bare feet.
- If you should decide not to use this appliance any longer (or decide to substitute another model), before disposing of it, it is recommended that it be made inoperative in an appropriate manner in accordance to health and environmental protection regulations, ensuring in particular that all potentially hazardous parts be made harmless, especially in relation to children who could play with unused appliances.
- The various components of the appliance are recyclable. Dispose of them in accordance with the regulations in force in your country. If the appliance is to be scrapped, remove the power cord.
- After use, ensure that the knobs are in the off position.
- Children less than 8 years of age shall be kept away unless continuously supervised.
- This appliance can be used by children aged from 8 years and above and persons with reduced physical, sensory or mental capabilities or lack of experience and knowledge if they have been given supervision or instruction concerning use of the appliance in a safe way and understand the hazards involved. Children shall not play with the appliance. Cleaning and user maintenance shall not be made by children without supervision.

- The manufacturer declines all liability for injury to persons or damage to property caused by incorrect or improper use of the appliance.
- **WARNING:** During use the appliance and its accessible parts become hot; they remain hot for some time after use.
 - Care should be taken to avoid touching heating elements (on the hob and inside the oven).
 - The door is hot, use the handle.
 - To avoid burns and scalds, young children should be kept away.
- Make sure that electrical cables connecting other appliances in the proximity of the cooker cannot come into contact with the hob or become entrapped in the oven door.
- **WARNING:** Unattended cooking on a hob with fat or oil can be dangerous and may result in fire. **NEVER** try to extinguish a fire with water, but switch off the appliance and then cover flame e.g. with a lid or a fire blanket.
- **WARNING:** Danger of fire: do not store items on the cooking surfaces.
- **WARNING:** When correctly installed, your product meets all safety requirements laid down for this type of product category. However special care should be taken around the rear or the underneath of the appliance as these areas are not designed or intended to be touched and may contain sharp or rough edges, that may cause injury.
- **FIRST USE OF THE OVEN** - it is advised to follow these instructions:
 - Furnish the interior of the oven as described in the chapter “CLEANING AND MAINTENANCE”.
 - Switch on the empty oven on max to eliminate grease from the heating elements.
 - Disconnect the appliance from the electrical power supply, let the oven cool down and clean the interior of the oven with a cloth soaked in water and neutral detergent; then dry carefully.

- **CAUTION:** Do not use harsh abrasive cleaners or sharp metal scrapers to clean the oven door glass since they can scratch the surface, which may result in shattering of the glass.
- Do not line the oven walls or base with aluminium foil. Do not place baking trays or the drip tray on the base of the oven chamber.
- Do not cover the hob with aluminium foils.
- **FIRE RISK!** Do not store flammable material in the oven or in the storage compartment.
- Always use oven gloves when removing the shelves and food trays from the oven whilst hot.
- Do not hang towels, dishcloths or other items on the appliance or its handle – as this could be a fire hazard.
- Clean the oven regularly and do not allow fat or oils to build up in the oven base or tray. Remove spillages as soon as they occur.
- Do not stand on the cooker or on the open oven door.
- Always stand back from the appliance when opening the oven door to allow steam and hot air to escape before removing the food.
- **SAFE FOOD HANDLING:** Leave food in the oven for as short a time as possible before and after cooking. This is to avoid contamination by organisms which may cause food poisoning. Take particular care during warmer weather.
- **WARNING:** Take care NOT to lift the cooker by the door handle.
- **CAUTION:** The cooking process has to be supervised. A short term cooking process has to be supervised continuously.
- The appliance must not be installed behind a decorative door in order to avoid overheating.
- The oven accessories (e.g. oven wire rack) must be fitted correctly as indicated at page 34 - 35.
- **IMPORTANT NOTE:** The oven shelves (for some products one shelf only is provided) have not been designed to place the food directly on the shelf itself. When cooking, always place the food in special containers or use specific materials suitable for the food contact.

- If the power supply cable is damaged, it must be replaced only by an authorized service agent in order to avoid a hazard.
- If the appliance is not fitted with a supply cord and a plug, or with other means for disconnection from the supply mains having a contact separation in all poles that provide full disconnection under overvoltage category III conditions, means for disconnection must be incorporated in the fixed wiring in accordance with the wiring rules.
- **WARNING:** The appliance and its accessible parts become hot during use.
Care should be taken to avoid touching heating elements.
Children less than 8 years of age shall be kept away unless continuously supervised.
- **WARNING:** Use only hob guards designed by the manufacturer of the cooking appliance or indicated by the manufacturer of the appliance in the instructions for use as suitable or hob guards incorporated in the appliance. The use of inappropriate guards can cause accidents.

ENERGY LABELLING/ECODESIGN

- Commission delegated regulation (EU) No 65/2014 (supplementing Directive 2010/30/EU of the European Parliament and of the Council).
- Commission regulation (EU) No 66/2014 (implementing Directive 2009/125/EC of the European Parliament and of the Council).

Reference to the measurement and calculation methods used to establish compliance with the above requirements:

- Standard EN 15181 (gas ovens).
- Standard EN30-2-1 (hobs: gas fired burners).

USE OF THE APPLIANCE, ENERGY SAVING TIPS

OVEN

- Check the oven door always closes properly and the door gasket is clean and in order. During use, open the oven door only when strictly necessary to avoid heat losses (for some functions it may be necessary to use the oven with the door half-closed, check the oven operating instructions).
- Turn off the oven 5-10 minutes before the end of the theoretical cooking time to recuperate the stored heat.
- We recommend using oven proof dishes and adjusting the oven temperature during cooking if necessary.

HOB

GAS FIRED BURNERS

- It is important that the diameter of the pot be suitable to the size of the burner so as not to compromise the high output of the burners and therefore energy waste. A small pot on a large burner does not give you a boiling point in a shorter amount of time since the capacity of heat absorption of a liquid mass depends on the volume and the surface of the pot.
- Avoid keeping a burner on without something on it (without pot).

Advice for the installer

1 INSTALLATION

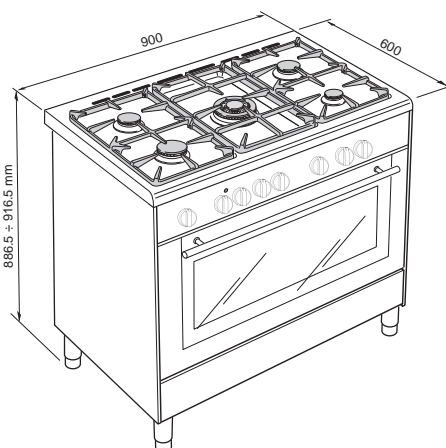
IMPORTANT

- The appliance is designed and approved for domestic use only and should not be installed in a commercial, semi commercial or communal environment, in Motorhomes, Caravans (except Static/Park Homes), or any boat or vessel used on the sea, estuary, lakes or inland waterways.
Your product will not be guaranteed if installed in any of the above environments and could affect any third party or public liability insurances you may have.
The appliance may be installed in a kitchen, kitchen/diner or a bed sitting room, but not in a room or space containing a bath or a shower without first consulting current regulations.
The appliance must not be installed in a bed-sitting room of less than 20 m².
- Cooker installation must only be carried out by a **SUITABLY QUALIFIED AND REGISTERED TECHNICIAN** and in compliance with local safety standards.
Failure to observe this rule will invalidate the warranty.
- Incorrect installation, for which the manufacturer accepts no responsibility, may cause personal injury or damage.
- This appliance shall only be serviced by authorized personnel.
- Always disconnect the appliance from the power supply before carrying out any maintenance operations or repairs.
- Take care NOT to lift the oven by the door handle/s.
- Some appliances are supplied with a protective film on steel and aluminium parts.
This film must be removed before using the cooker.
- **Important: The use of suitable protective clothing/gloves is recommended when handling or installing this appliance.**
- The walls of the units must not be higher than work top and must be capable of resisting temperatures of 70 °C above room temperature.
- Do not install the appliance near inflammable materials (e.g. curtains).

WARNING

When correctly installed, your product meets all safety requirements laid down for this type of product category.

However special care should be taken around the rear or the underneath of the appliance as these areas are not designed to be touched and may contain sharp or rough edges, that may cause injury.



This cooker has class “2/1” overheating protection so that it can be installed next to a cabinet.

If the cooker is installed adjacent to furniture which is higher than the gas hob cooktop, a gap of at least 200 mm must be left between the side of the cooker and the furniture.

The walls and kitchen furniture surrounding the appliance must be made of non-flammable material. The veneered synthetical material and the glue used must be resistant to a temperature of 150 °C in order to avoid ungluing or deformations. It is recommended that a 10 mm gap to each side is made if the adjacent kitchen furniture is made of a plastic laminate wrap.

Curtains must not be fitted immediately behind appliance or within 500 mm of the sides.

It is essential that the cooker is positioned as stated below.

We do not recommend the cooker is located on a plinth. If this is unavoidable, it will be necessary to provide safety measures to prevent the appliance falling off.

The cooker must be installed by a suitably qualified technician and in compliance with local safety standards.

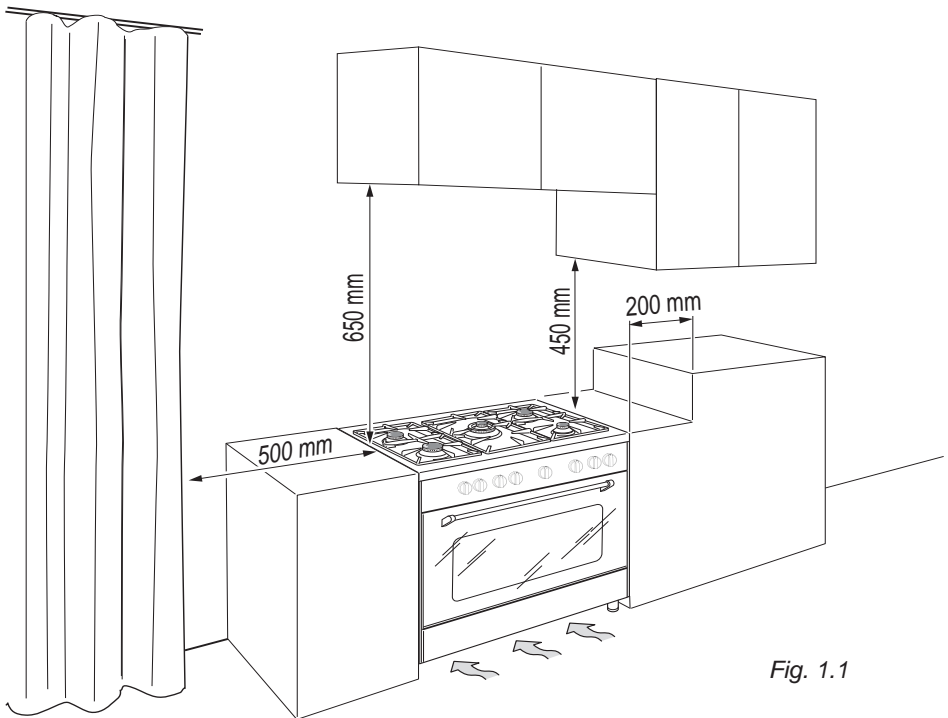


Fig. 1.1

Important: Always maintain conditions that ensure the presence of an adequate air flow at the bottom of the appliance. Do not close off the space between the two levelling feet. If the space must be closed, leave an area of at least 1/4 of the space open.

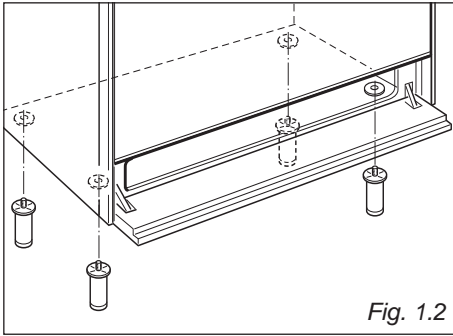


Fig. 1.2

FITTING THE ADJUSTABLE FEET AND LEVELLING THE COOKER

The adjustable feet must be fitted to the base of the cooker before use (figs. 1.2, 1.3).

Rest the rear of the cooker on a piece of the polystyrene packaging exposing the base for the fitting of the feet.

Fit the 4 legs by screwing them tight into the support base as shown in figure 1.3.

LEVELLING THE COOKER

The cooker may be levelled by screwing the lower ends of the feet IN or OUT (fig. 1.4).

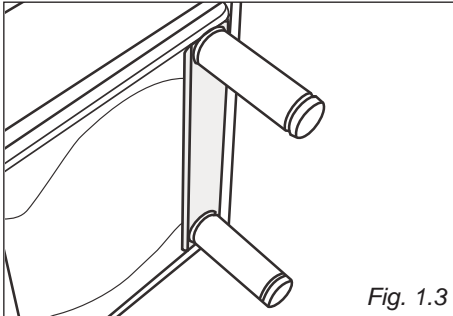


Fig. 1.3

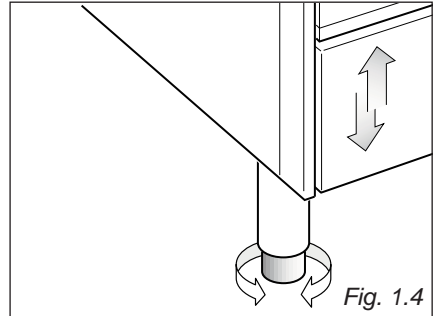


Fig. 1.4

MOVING THE COOKER

WARNING: When raising cooker to upright position always ensure two people carry out this manoeuvre to prevent damage to the adjustable feet (fig. 1.5).

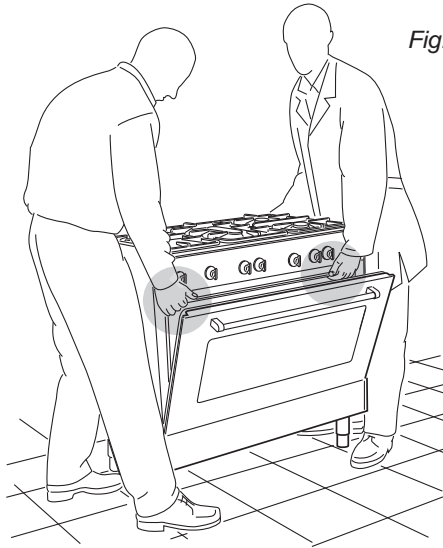
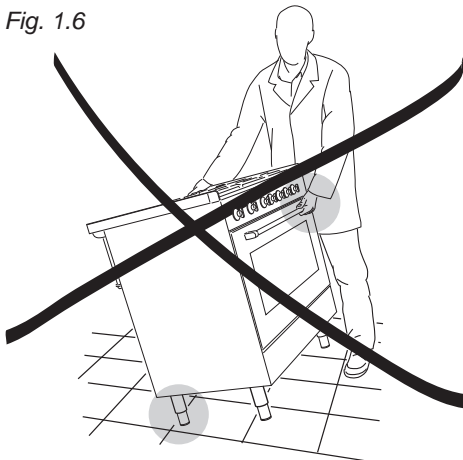


Fig. 1.5

WARNING

Be careful: Do not lift the cooker by the door handle/s when raising to the upright position (fig. 1.6).

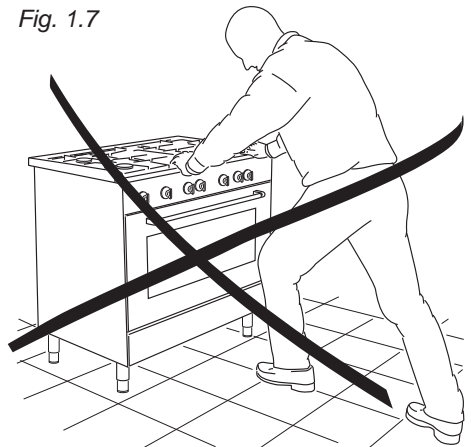
Fig. 1.6



WARNING

When moving cooker to its final position DO NOT DRAG (fig. 1.7). Lift feet clear of floor (fig. 1.5).

Fig. 1.7



ANTI-TILT BRACKET

Important!

To restrain the appliance and prevent it tipping accidentally, fit a bracket to its rear to fix it securely to the wall.

To fit the anti-tilt bracket:

1. After you have located where the cooker is to be positioned, mark on the wall the place where the two screws of the anti-tilt bracket have to be fitted.
Please follow the indications given in fig. 1.8.

2. Drill two 8 mm diameter holes in the wall and insert the plastic plugs supplied.

Important!

Before drilling the holes, check that you will not damage any pipes or electrical wires.

3. Loosely attach the anti-tilt bracket with the two screws supplied.
4. Move the cooker to the wall and adjust the height of the anti-tilt bracket so that it can engage in the slot on the cooker's back, as shown in fig. 1.8.
5. Tighten the screws attaching the anti-tilt bracket.
6. Push the cooker against the wall so that the anti-tilt bracket is fully inserted in the slot on the cooker's back.

Attention!

When sliding the cooker into place pay special attention not to trap the power supply cable in the stability bracket.

Pay special attention to the gas connection hose.

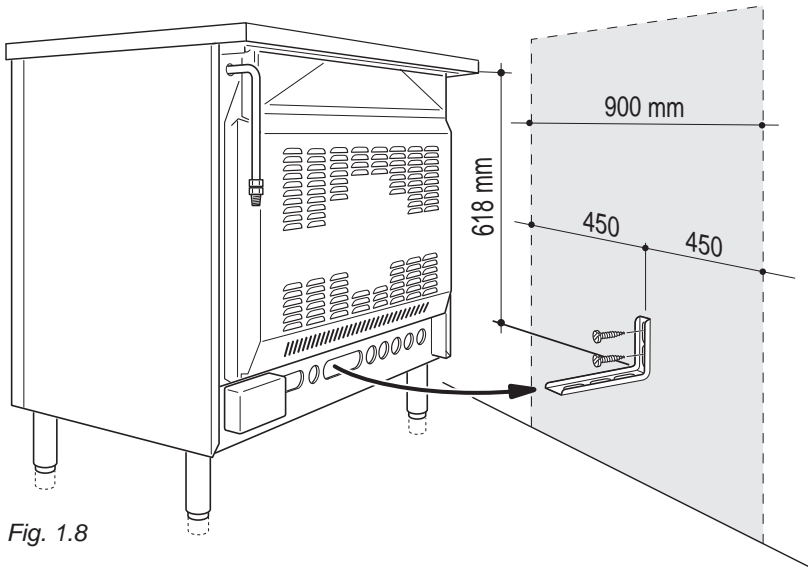


Fig. 1.8

PROVISION FOR VENTILATION

- The appliance should be installed into a room or space with an air supply in accordance with the current version of BS 5440-2: 2000.
- For rooms with a volume of less than 5m³ - permanent ventilation of 100 cm² free area must be provided.
- For rooms with a volume of between 5 m³ and 10 m³ a permanent ventilation of 50 cm² free area will be required unless the room has a door which opens directly to the outside air in which case no permanent ventilation is required.
- For rooms with a volume greater than 10 m³ - no permanent ventilation is required.

Note: Regardless of room size, all rooms containing the appliance must have direct access to the outside air via an openable window or equivalent.

- Where there are other fuel burning appliances in the same room, the current version of BS 5440-2: 2000 should be consulted to determine the correct amount of free area ventilation requirements.
- The above requirements allow also for use of a gas oven and grill but if there are other gas burning appliances in the same room, consult a qualified engineer.

2

GAS SECTION

IMPORTANT NOTE

This appliance is supplied for use on NATURAL GAS or LPG (check the gas regulation label attached on the appliance).

- Appliances supplied for use on NATURAL GAS are adjusted for this gas only and cannot be used on any other gas (LPG) without modification. The appliances are manufactured for conversion to LPG.
- Appliances supplied for use on LPG are adjusted for this gas only and cannot be used on any other gas (NATURAL GAS) without modification. The appliances are manufactured for conversion to NATURAL GAS.

If the NATURAL GAS/LPG conversion kit is not supplied with the appliance this kit can be purchased by contacting the After-Sales Service.

INSTALLATION & SERVICE REGULATIONS (UNITED KINGDOM)

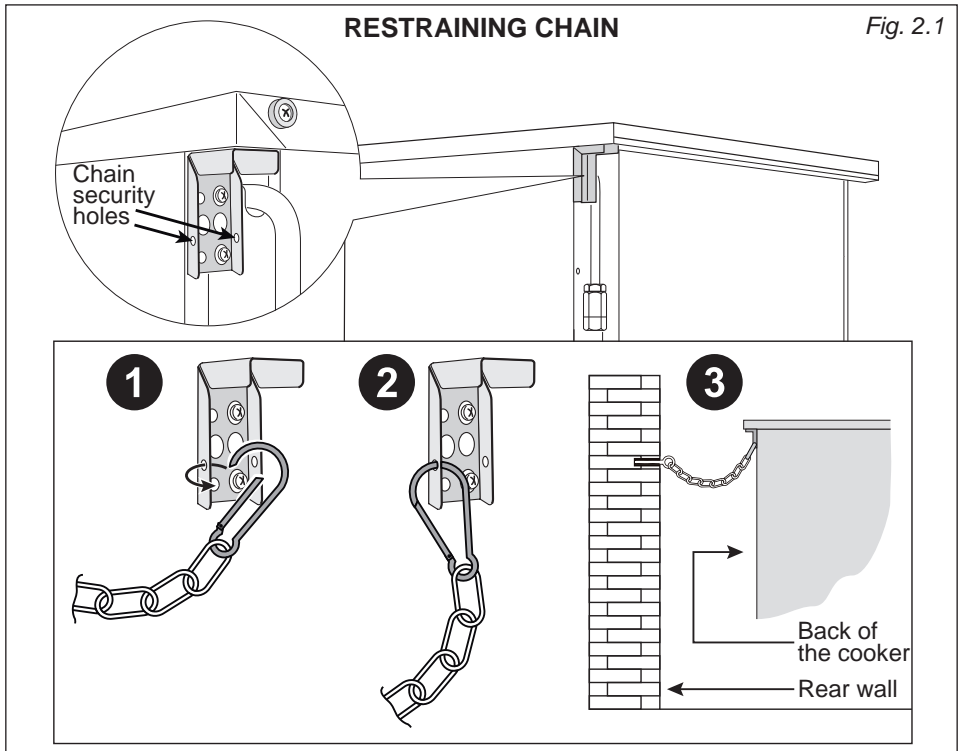
It is a legal requirement that all gas appliances are Installed & Serviced by a competent person in accordance with the current editions of the following Standards & Regulations or those regulations appropriate to the geographical region in which they are to be installed:

- Gas Safety (Installation & Use) Regulations
- Building Regulations
- British/European Standards
- Regulations for Electrical Installation

Installation and service of any gas product must be made by a suitably qualified and registered person competent on the type of product being installed or serviced and holding a valid certificate of competence for the work being carried out. Currently the proof of competence is the Accredited Certification Scheme (ACS) or N/SVQ that has been aligned to the ACS.

It is also a requirement that all businesses or self employed installers are members of a class of person approved by the Health and Safety Executive.

Failure to install the appliance correctly could invalidate any manufacturer's warranty and lead to prosecution under the above quoted regulations.



Installation to Natural Gas

Installation to Natural Gas must conform to the Code of Practice, etc.

The supply pressure for Natural Gas is 20 mbar.

The installation must conform to the relevant British/European Standards.

Installation to LP Gas

When operating on Butane gas a supply pressure of 28-30 mbar is required.

When using Propane gas a supply pressure of 37 mbar is required.

The installation must conform to the relevant British/European Standards.

Warning: Only a suitably qualified and registered installer, also with technical knowledge of electricity should install the appliance.

He should observe the Regulations and Codes of Practice governing such installation of gas appliances.

Note: It is recommended that the gas connection to the appliance is installed with a flexible hose connecting tube made to BS669 or EN 14800.

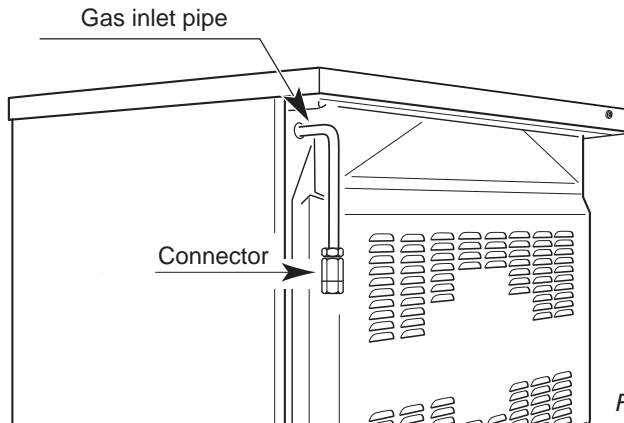
Notes:

- **Flexible hoses can be used where the sited ambient temperature of the hose does not exceed 70 °C. These hoses must be manufactured in accordance with BS669 part 1 or EN 14800 and be of the correct construction for the type of gas being used.**
- **Gas hoses designed for natural gas MUST NOT be used for supplying LPG gas (LPG gas hoses can be identified by a either a red band or stripe on the rubber outer coating of the hose).**
The hose should not be crushed or trapped or be in contact with sharp or abrasive edges.

IMPORTANT! It is the responsibility of the gas installer to ensure that the product is fully tested and commissioned in accordance with current regulations to ensure there are no gas escapes.

Gas connection (figs. 2.2a, 2.2b, 2.3, 2.4)

- The gas supply must use the gas inlet pipe which is located at the left hand side at the rear of the appliance.
- **IMPORTANT NOTE:** Before connecting the appliance to the gas mains fit the female connector (supplied with the appliance in a separate kit) to the inlet pipe using the fibre washer supplied.
- **IMPORTANT: Check the correct positioning of the connector as per pictures and always operate using two suitable spanners.**
- The hose should not be crushed or trapped or be in contact with sharp or abrasive edges. It should also not be subjected to corrosion by acidic cleansing agents.
The hose should also be connected in such a way that it does not touch the floor and must hang in a natural loop between the appliance and the bayonet fitting.
- The pipe does not cross the rear panel of the cooker. In case of crossing the back panel, ensure the pipe is positioned close to the bottom part of the appliance.
- To avoid damage to the appliance gas rail inlet pipe the fittings should be tightened using two suitable spanners.



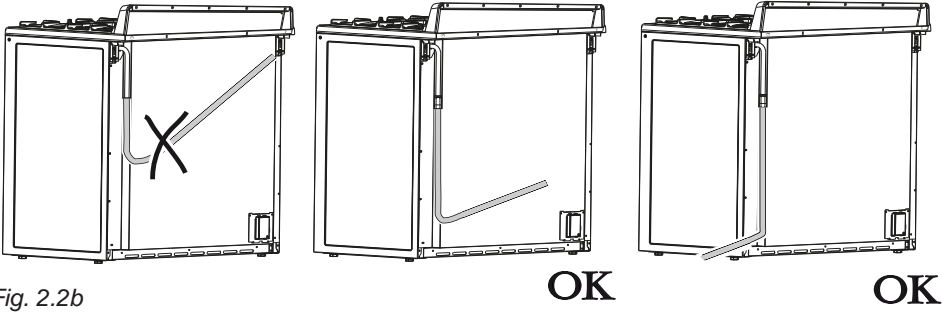
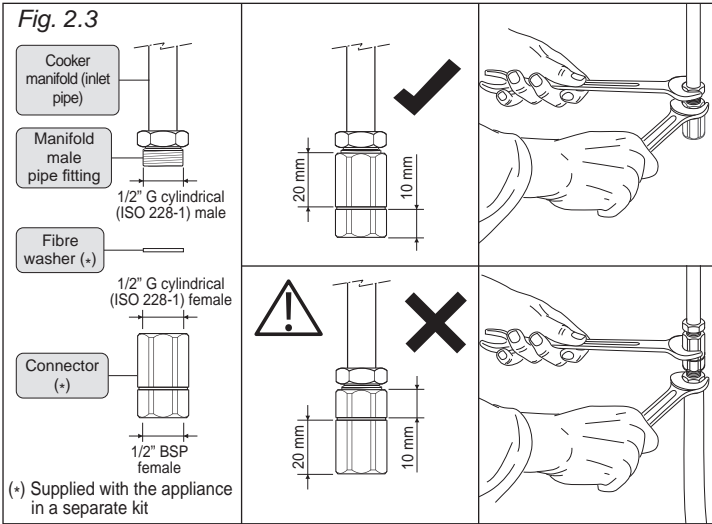


Fig. 2.2b



IMPORTANT PRESCRIPTIONS FOR GAS CONNECTION

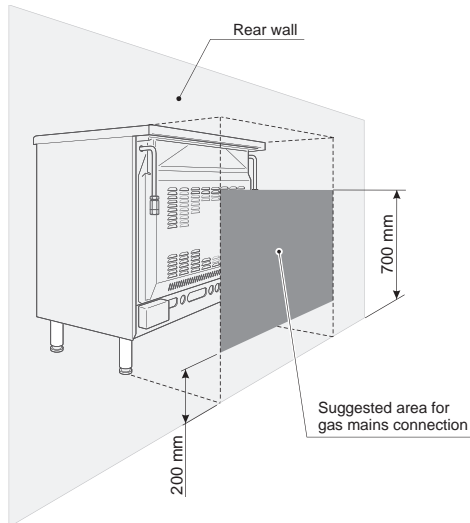


Fig. 2.4

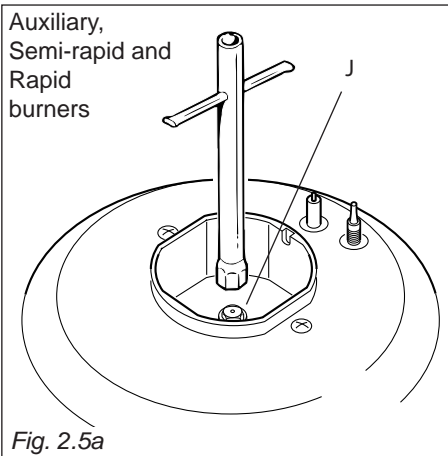
CONVERSION TO NATURAL GAS OR TO LPG

REPLACEMENT OF THE INJECTORS

If the injectors are not supplied they can be obtained from the After-Sales Service.

Select the injectors to be replaced according to the "Table for the choice of the injectors".

The nozzle diameters, expressed in hundredths of a millimetre, are marked on the body of each injector.

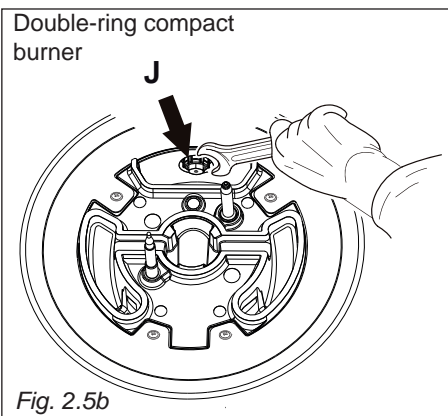


REPLACEMENT OF THE INJECTORS OF THE COOKTOP BURNERS

To replace the injectors proceed as follows:

- Remove pan supports and burners from the cooktop.
- Using a wrench, substitute the nozzle injectors "J" (figs. 2.5a, 2.5b) with those most suitable for the kind of gas for which it is to be used.

The burners are conceived in such a way so as not to require the regulation of the primary air.



ADJUSTING OF THE MINIMUM OF THE TOP BURNERS

In the minimum position the flame must have a length of about 4 mm and must remain lit even with a quick turn from the maximum position to that of minimum.

The flame adjustment is done in the following way:

- Turn on the burner.
- Turn the tap to the MINIMUM position.
- Take off the knob.
- With a thin screwdriver turn the screw "A" until adjustment is correct (fig. 2.5c).

Normally for LPG, tighten up the regulation screw.

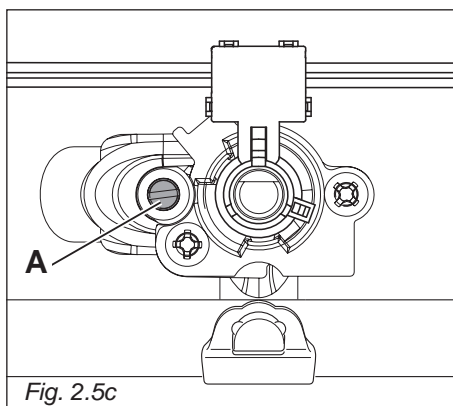



TABLE FOR THE CHOICE OF THE INJECTORS

Cat: **II 2H3+**

 BURNERS	Nominal power [kW]	Reduced power [kW]	LPG G30 28-30 mbar G31 37 mbar		Natural Gas G20 20 mbar	
			Ø injector [1/100 mm]	Air ring opening [mm]	Ø injector [1/100 mm]	Air ring opening [mm]
Auxiliary (A)	1,00	0,40	50	-	72 (X)	-
Semi-rapid (SR)	1,75	0,45	65	-	97 (Z)	-
Rapid (R)	3,00	0,75	85	-	128 (H3)	-
Double-ring compact (DCC)	4,00	1,50	100	-	150 (H3)	-
Oven	4,70	0,95	104	8 (*)	154	1,5 (*)

(*) = Reference value

AIR VENT NECESSARY FOR GAS COMBUSTION = (2 m ³ /h x kW)	
BURNERS	Air necessary for combustion [m ³ /h]
Auxiliary (A)	2,00
Semi-rapid (SR)	3,50
Rapid (R)	6,00
Double-ring compact (DCC)	8,00
Oven	9,40

LUBRICATION OF THE GAS TAPS

- In case of difficulty in the gas taps operation, call Service.

IMPORTANT

All intervention regarding installation maintenance of the appliance must be fulfilled with original factory parts.

The manufacturer declines any liability resulting from the non-compliance of this obligation.

OPERATIONS TO BE EXECUTED FOR THE REPLACEMENT OF THE INJECTORS OF THE OVEN AND GRILL BURNER

a) oven burner

- Lift and remove the lower panel inside the oven.
- Unscrew and remove the burner securing screw "A" (fig. 2.6).
- Slacken screw "B" (fig. 2.6).
- Withdraw the burner in the manner shown in figure 9.7 and rest it inside the oven. Take care not to damage the wire to the ignition electrode and the safety valve probe.
- Using a 10 mm box spanner, unscrew the injector "U" (indicated by the arrow in fig. 2.7) and replace with a new injector selected in accordance with the "Table for the choice of the injectors"; then replace the burner repeating the above steps in reverse order.

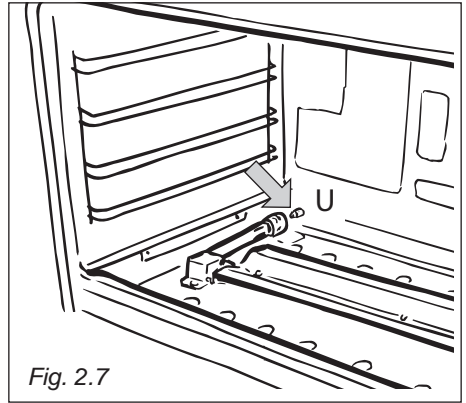


Fig. 2.7

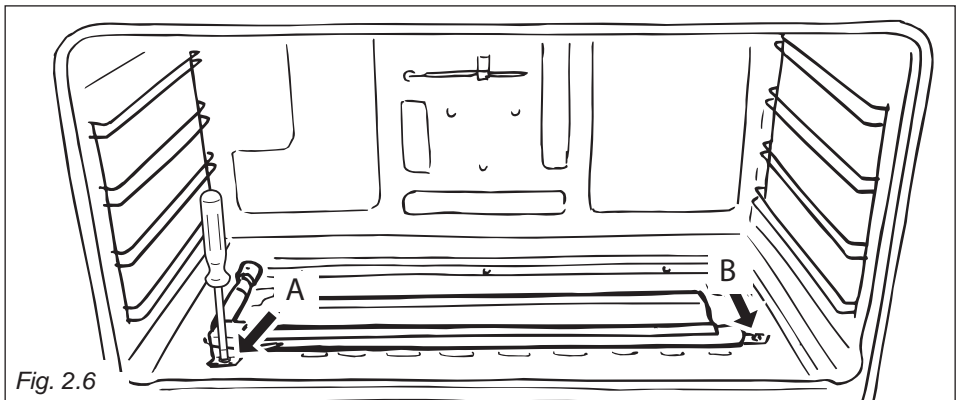


Fig. 2.6

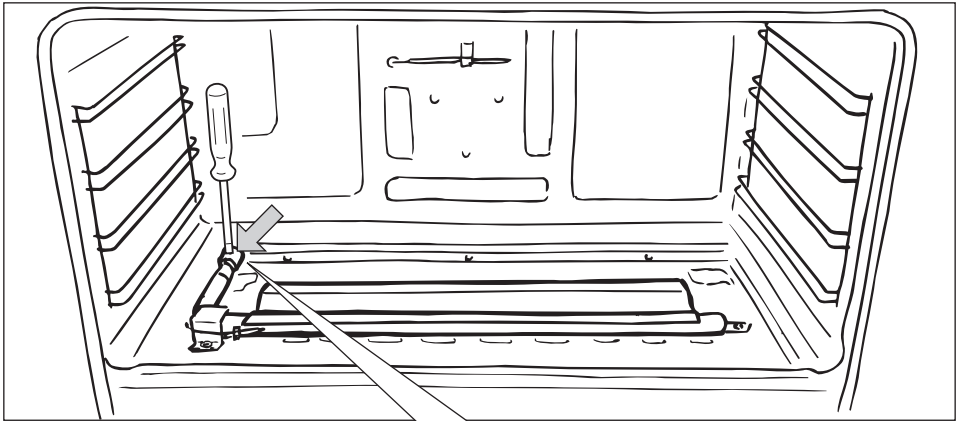
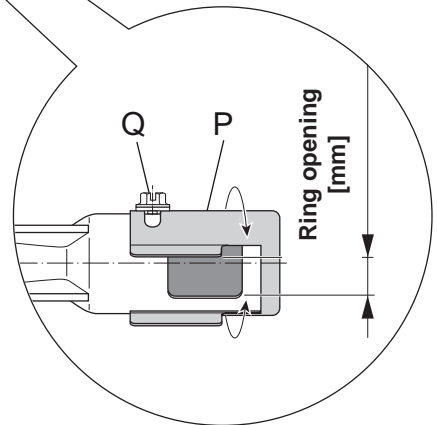


Fig. 2.8

REGULATION OF AIR SUPPLY TO OVEN BURNER

Using a cross-head screwdriver, slacken the screw "Q" securing the air flow regulation collar "P" (fig. 2.8) and turn the collar forward or backward to increase or reduce the air aperture in accordance with gas type and the indications in the 'Table for the choice of the injectors'.

Light the burner and check the flames.



ADJUSTMENT OF THE OVEN BURNER MINIMUM

Considering that in the minimum position the flame must have a length of about 4 mm and must remain lit even with a brusque passage from the maximum position to that of minimum.

The flame adjustment is done in the following way:

- turn on the burner by setting the thermostat knob on position **Max** ★ (maximum);
- remove the knob and unscrew the by-pass screw "G" (fig. 2.9) about three times by passing a small flat screwdriver (Ø 3 mm blade, 100 mm length) through the panel opening;
- re-mount the knob and let the oven heat up for about 10 minutes, then bring the knob to position **130** (minimum) to operate the thermostat bypass;
- after having removed the knob again and being very careful not to turn the tap rod, slowly screw the by-pass screws "G" (fig. 2.9) until you obtain a flame of 3-4 mm in height.

N.B. For G30/G31 (LPG) the by-pass screw must be fixed thoroughly.

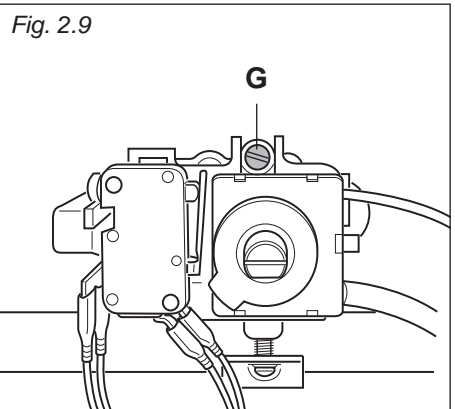


Fig. 2.9



Flame correct



Flame faulty in primary air



Flame with excess primary air

Flame faulty in primary air	Flame correct	Flame with excess primary air
long, yellow and trembling	clear interior blue cone	short and sharp too blue interior cone tending to detach
CAUSE		
air regulating tube, too closed	correct distance of the tube	air regulating tube, too open

3

ELECTRICAL SECTION

IMPORTANT: The cooker must be installed in accordance with the manufacturer's instructions. Incorrect installation, for which the manufacturer accepts no responsibility, may cause damage to persons, animals and things.

The connection of the appliance to earth is mandatory. The manufacturer declines all responsibility for any inconvenience resulting from the inobservance of this condition.

Before effecting any intervention on the electrical parts of the appliance, the connection to the network must be interrupted.

FOR YOUR SAFETY PLEASE READ THE FOLLOWING INFORMATION:

This appliance must be installed by a qualified technician according with the current local regulations and in compliance with the manufacturer instructions.

This appliance is supplied with a moulded 13 amp three pin mains plug with a 13 amp fuse fitted. Should the fuse require replacement, it must be replaced with a fuse rated at 13 amp and approved by ASTA or BSI to BS 1362.

The plug contains a removable fuse cover that must be refitted when the fuse is replaced. In the event of the fuse cover being lost or damaged, the plug must not be used until a replacement cover has been obtained. Replacement fuse covers can be purchased from your nearest electrical dealer and must be the same colour as the original.

IF THE MOULDED MAINS PLUG IS UNSUITABLE FOR THE SOCKET OUTLET IN YOUR HOME OR IS REMOVED FOR ANY OTHER REASON, THEN THE FUSE SHOULD BE REMOVED AND THE CUT OFF PLUG DISPOSED OF SAFELY TO PREVENT THE HAZARD OF ELECTRIC SHOCK.

THERE IS A DANGER OF ELECTRICAL SHOCK IF THE CUT OFF PLUG IS INSERTED INTO ANY 13 AMP SOCKET OUTLET.

If a replacement plug is to be fitted, please observe the wiring code shown below.

Warning! This appliance must be earthed.

A properly earthed three pin plug (fused at 13 amps, to BS 1362 ASTA approved) must be used. As the colours of the wires in the mains lead of this appliance may not correspond with the coloured markings identifying the terminals in your plug, proceed as follows:

- The wire which is coloured GREEN & YELLOW must be connected to the terminal in the plug which is marked with letter "E" or by the Earth symbol " \perp " or coloured GREEN & YELLOW.
- The wire which is coloured BLUE must be connected to the terminal which is marked with the letter "N" or coloured BLACK.
- The wire which is coloured BROWN must be connected to the terminal which is marked with the letter "L" or coloured RED.

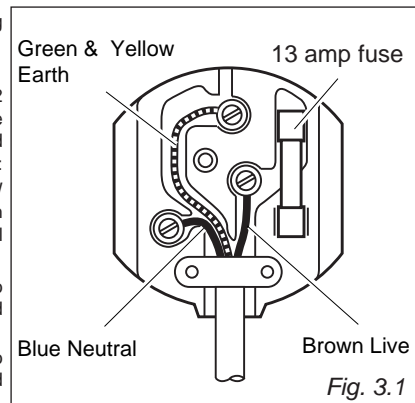


Fig. 3.1

ELECTRICAL FEEDER CABLE REPLACEMENT

WARNING: If the power supply cable is damaged, it must be replaced only by an authorised service agent in order to avoid a hazard.

To connect the supply cable:

- Remove the screw securing the cover "A" on the rear of the cooker (fig. 3.2).
- Unscrew cable clamp "D" (fig. 3.3).
- Connect the wires to the terminal block "B" as shown in the diagram in figure 3.4.
- Take up any slack in the cable and secure with the cable clamp "D".
- Replace the cover "A".

NOTE: The earth conductor must be left about 3 cm longer than the others.

The operations must be executed by a qualified technician.

POWER SUPPLY

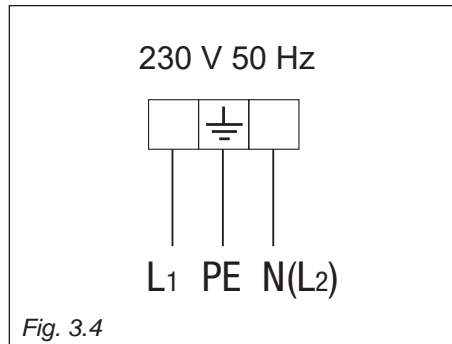
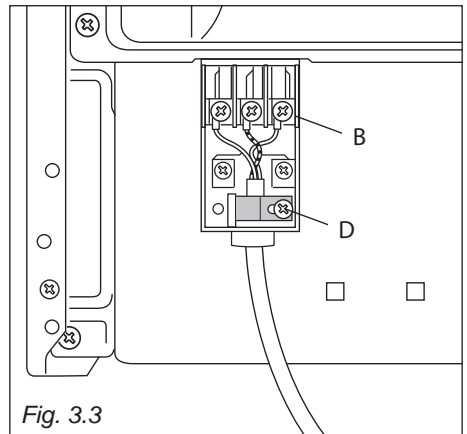
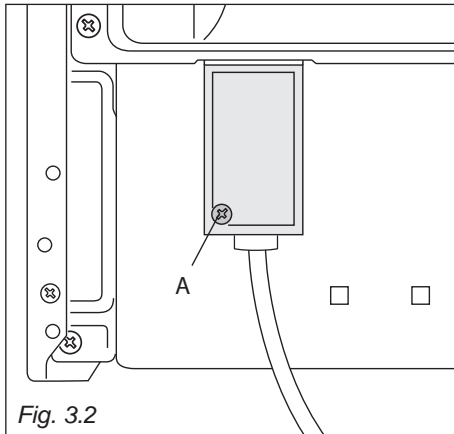
220-240 V 50 Hz

2225 W

FEEDER CABLE SPECIFICATIONS

Type "H05VV-F"

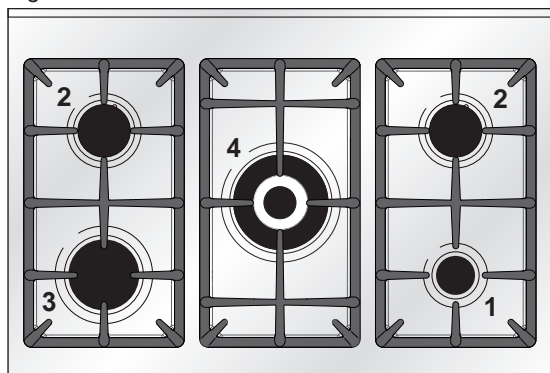
3 x 1,5 mm²



Advice for the user

1 COOKING HOB

Fig. 1.1



GAS BURNERS

1. Auxiliary burner (A)	1,00 kW
2. Semi-rapid burner (SR)	1,75 kW
3. Rapid burner (R)	3,00 kW
4. Double-ring compact (DDC)	4,00 kW

Notes:

- The electric ignition is incorporated in the knobs.
- The appliance has a safety valve system fitted, the flow of gas will be stopped if and when the flame should accidentally go out.

CAUTION:

If the burner is accidentally extinguished, turn the gas off at the control knob and wait at least 1 minute before attempting to relight.

CAUTION:

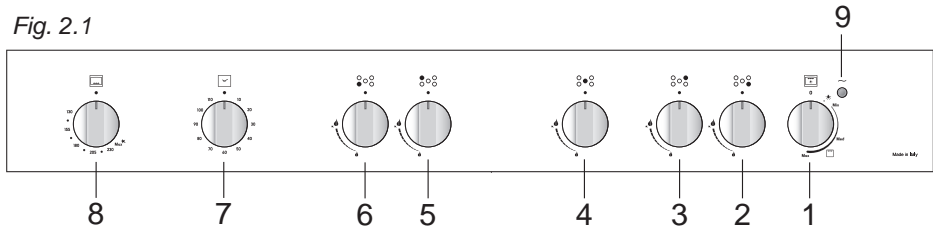
Gas hobs produce heat and humidity in the environment in which they are installed. Ensure that the cooking area is well ventilated by opening the natural ventilation grilles or by installing an extractor hood connected to an outlet duct that vents to the outside.

CAUTION:

If the hob is used for a prolonged time it may be necessary to provide further ventilation by opening a window or by increasing the suction power of the extractor hood (if fitted).

2 CONTROL PANEL

Fig. 2.1






CONTROLS DESCRIPTION

1. Electric grill and oven light control knob
2. Front right burner control knob
3. Rear right burner control knob
4. Central burner control knob
5. Rear left burner control knob
6. Front left burner control knob
7. 120' alarm knob
8. Gas oven thermostat control knob
9. Line pilot light (electric grill)

3 USE OF THE HOB BURNERS

GAS BURNERS

Gas flow to the burners is adjusted by turning the knobs (illustrated in fig. 3.1) which control the safety valves. Turning the knob, so that the indicator line points to the symbols printed on the panel, achieves the following functions:

- symbol  closed valve
- symbol  maximum aperture or flow
- symbol  minimum aperture or flow

- √ The maximum aperture position permits rapid boiling of liquids, whereas the minimum aperture position allows slower warming of food or maintaining boiling conditions of liquids.
- √ To reduce the gas flow to minimum rotate the knob further anti-clockwise to point the indicator towards the small flame symbol.
- √ Other intermediate operating adjustments can be achieved by positioning the indicator between the maximum and minimum aperture positions, and never between the maximum aperture and closed positions.

NOTE:

The knob and symbols may vary.

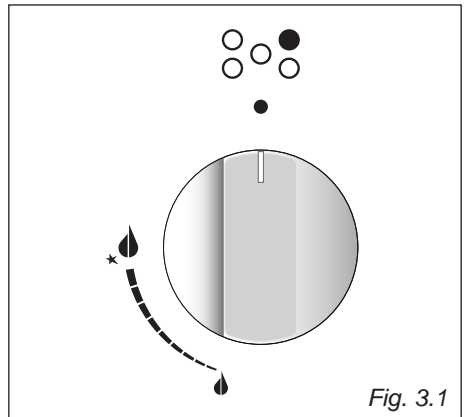


Fig. 3.1

Caution!

Do not cover the hob with aluminium foils.


N.B. When the cooker is not being used, set the gas knobs to their closed positions.

Caution!
The cooking hob becomes very hot during operation.
Keep children well out of reach.

LIGHTING THE BURNERS


To ignite the burner, the following instructions are to be followed:

1. Press in the corresponding knob and turn counter-clockwise (fig. 3.2) to the full flame

position marked by the  symbol (fig. 3.1); hold the knob in until the flame has been lit. In the case of a mains failure light the burner with a match or lighted taper.

2. Wait for a few seconds after the gas burner has been lit before letting go of the knob (valve activation delay).
3. Adjust the gas valve to the desired position.

If the burner flame should go out for some reason, the safety valve will automatically stop the gas flow.

To re-light the burner, return the knob to the closed  position, wait for at least 1 minute and then repeat the lighting procedure.

If your local gas supply makes it difficult to light the burner with the knob set to maximum, set the knob to minimum and repeat the operation.

DEEP FAT FRYING

For safety purposes when deep fat frying, do not fill the pan more than one third full of oil.

DO NOT cover the pan with a lid and DO NOT leave the pan unattended.

In the unfortunate event of a fire, leave the pan where it is and turn off the control knobs.

Place a damp cloth or lid over the pan to smother the flames. Leave the pan to cool for at least 30 minutes before moving the pan.

DO NOT USE WATER ON THE FIRE.

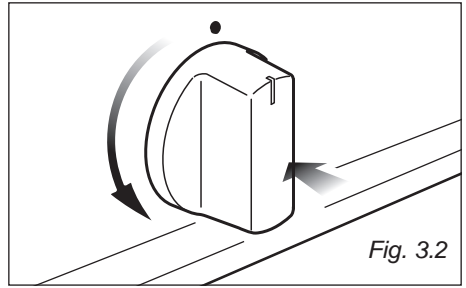


Fig. 3.2

CHOICE OF THE BURNER

On the control panel, near every knob there is a diagram that indicates which burner is controlled by that knob.

The suitable burner must be chosen according to the diameter and the capacity used.

The burners and pans must be used in accordance with the following instructions:

DIAMETERS OF PANS WHICH MAY BE USED ON THE BURNERS

BURNERS	MINIMUM	MAXIMUM
Auxiliary	12 cm	14 cm
Semi-rapid	16 cm	24 cm
Rapid	24 cm	26 cm
Double-ring compact	26 cm	28 cm
Wok	max 36 cm	

do not use pans with concave or convex bases

It is important that the diameter of the pot be suitable to the potentiality of the burner so as not to compromise the high output of the burners and therefore energy waste.

A small pot on a large burner does not give you a boiling point in a shorter amount of time since the capacity of heat absorption of a liquid mass depends on the volume and the surface of the pot. Too large a pot can cause damage to the burner and surrounding hob area.

CAUTION: Make sure the pans are central to the burner for maximum stability and greater efficiency. Make sure the pans are not in contact with the control knobs, otherwise the flame could overheat the knobs and permanently damage them.

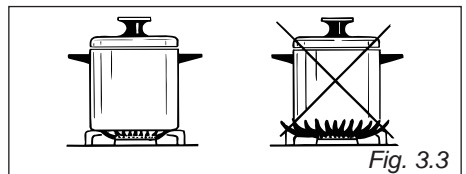


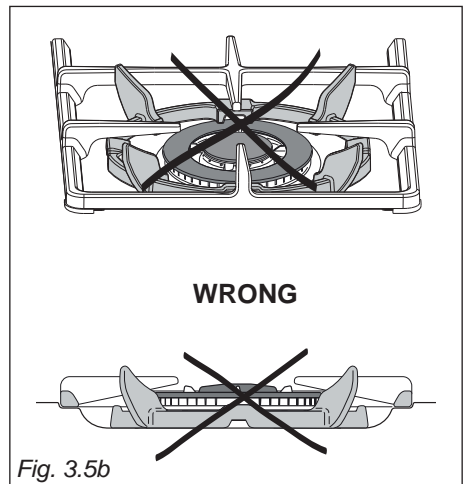
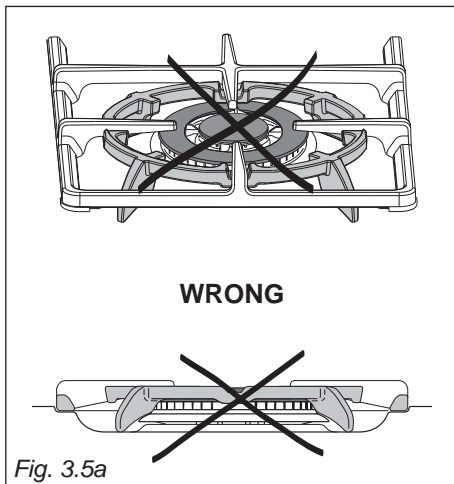
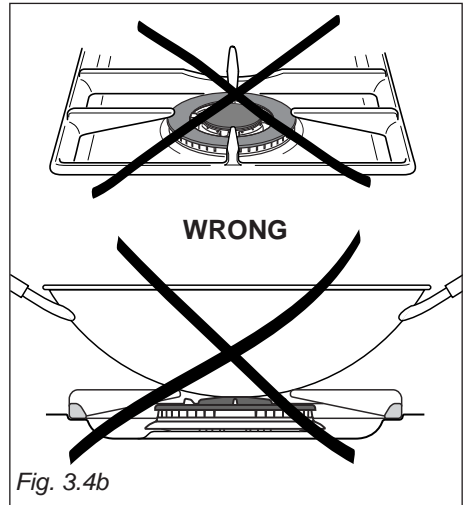
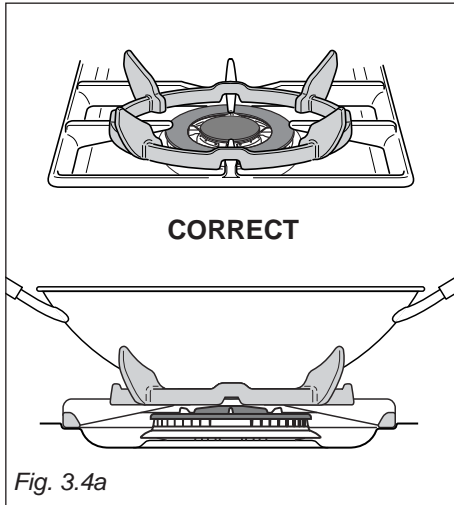
Fig. 3.3

CORRECT USE OF THE DOUBLE-RING COMPACT BURNER

Only flat bottom pans of the correct size are to be placed on the pan support above the Double-ring compact burner. When using a WOK, the supplied wok stand **must** be placed onto the pan stand to avoid any faulty operation of the triple-ring burner (fig. 3.4a). The wok **should not** be placed directly onto the pan support without the use of the supplied wok stand (fig. 3.4b).

IMPORTANT:

When using the wok stand it **MUST ONLY BE PLACED** over the pan support for the Double-ring burner (fig. 3.4a). **Under no circumstances should the wok stand be placed under the pan supports** (figs 3.5a - 3.5b). Incorrect placement of the wok stand in this manner may impinge the flame resulting in incomplete combustion and give rise to harmful levels of Carbon Monoxide (CO).



4 GAS OVEN

WARNING:

The door is hot, use the handle.

During use the appliance becomes hot. Care should be taken to avoid touching heating elements inside the oven.

GENERAL FEATURES

The oven is furnished completely clean; it is advisable however, upon first use, to turn the oven on to the maximum temperature (position **Max** ★) for 30 minutes to eliminate possible traces of grease from the oven burner.

The same operation should be followed for grill burner (for 15 minutes).

The gas oven is provided with two burners:

- One gas burner (wattage: 4,70 kW), located at the bottom, providing safety device and electric ignition.
- One electric grill (2,20 kW), placed on the top, controlled by a thermostat.

Smells and fumes produced during this burn off process are not a cause of alarm. Adequate ventilation should however be provided in the room where the appliance is installed, e.g. by opening a window.

OVEN BURNER

It carries out normal “oven cooking”.

The gas flow to the burner is regulated by a thermostat which allow to maintain the oven temperature constant. The control of the temperature is assured by a thermostatic probe positioned inside the oven.

The probe must be always kept in its housing, in a clean condition, as an incorrect position or encrustment may cause an alteration in the control of the temperature.

THERMOSTAT

The numbers **130** to **Max** ★ printed on the control panel (fig. 4.1) indicate the increasing oven temperature value.

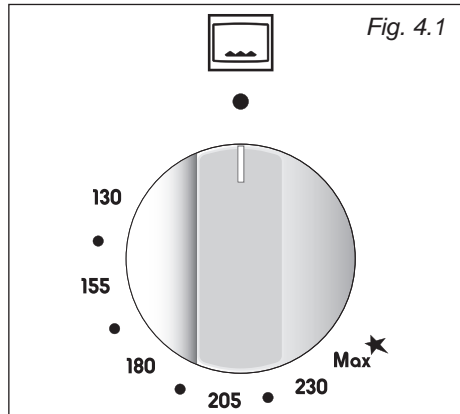
The temperature is kept constant on the regulated value.

To regulate the temperature, make the indicator of the knob (fig. 4.1) match with the chosen number on the control panel.

The thermostat which regulates the flow of gas to the oven burner has a safety valve which automatically shuts off the gas supply when the flame goes out.

CAUTION:

To assure a correct air flow to the burner, make sure there is an open air gap in the top area of the storage during operation of the gas oven.



IGNITION OF THE OVEN BURNER

ATTENTION: Never turn the control knob before opening the oven door.

To ignite the oven burner:

1. **Open the oven door to the full extent.**
WARNING: Risk of explosion! The oven door must be open during this operation.
2. Lightly press and turn the thermostat knob anti-clockwise (fig. 4.2) to maximum position **Max** ★ (fig. 4.1). Press the knob firmly until the burner lights.
In the case of a mains failure, to light the oven burner manually, approach a flame to the hole ‘A’ of the oven floor (fig. 4.3). **Never turn the gas thermostat before approaching a flame to the hole “A” of the floor.**
3. **Never continue this operation for more than 15 seconds. If the burner has still not ignited, wait for about 1 minute prior to repeating the ignition.**
4. After lighting the burner, wait a few seconds before releasing the knob (until the safety valve stays open).
5. Close the oven door slowly and adjust the burner according to the power required.

If the flame extinguishes for any reason, the safety valve will automatically shut off the gas supply to the burner.

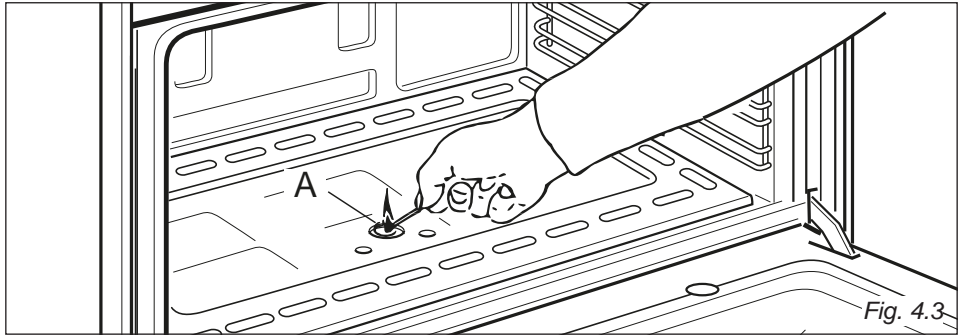
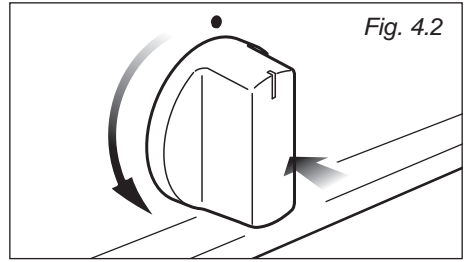
To re-light the burner, first turn the oven control knob to position **0**, wait for at least 1 minute and then repeat the lighting procedure.

For correct use of the gas oven, always preheat it (bottom burner) at maximum setting for at least 15 minutes. Preheating should always be carried out with the oven empty: remove the trays and racks from the oven cavity.

OVEN COOKING

To cook, before introducing the food, preheat the oven to the desired temperature.

When the oven has reached the desired temperature, introduce the food, control the cooking time and turn off the oven 5 minutes before the theoretical time to recuperate the stored heat.



ELECTRIC GRILL

For safety reasons, it is not allowed to use the oven burner and the electric grill together, at the same time.

The electric grill only operates when the oven thermostat control knob is on position "0" (burner off).

The electric grill is controlled by a thermostat which allow to maintain the temperature constant.

The control of the temperature is assured by a thermostatic probe positioned inside the oven.

The probe must be always kept in its housing, in a clean condition, as an incorrect position or encrustment may cause an alteration in the control of the temperature.

To switch on the grill turn the control knob clockwise and set the knob to the required temperature between minimum and maximum position (fig. 4.4).

The indicator light close to the control knob is alight when the grill is operating.

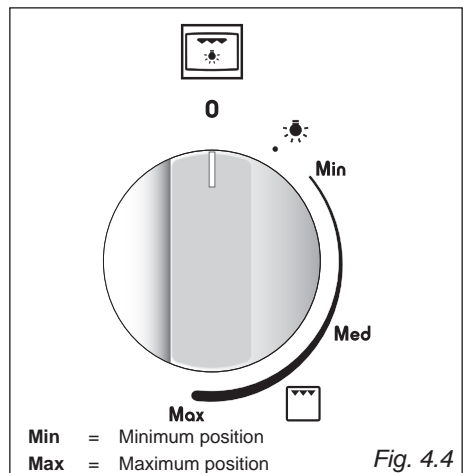
The oven lamp stays alight during the grill operation.

Grilling with the oven door closed.

For the correct use of the electric grill see the chapters "COOKING WITH ELECTRIC GRILL" or "KEEP WARM OR SLOW HEATING".

GRILL TEMPERATURE TABLE	
Minimum position	50 °C
Maximum position	250 °C
Intermediate positions correspond to intermediate temperatures	

**Attention: The oven door becomes very hot during operation.
Keep children away.
Grilling with the oven door closed.**



COOKING WITH ELECTRIC GRILL

Switch on the electric grill by turning the control knob to the maximum position (fig. 4.5); let to preheat for about 5 minutes with the door closed.

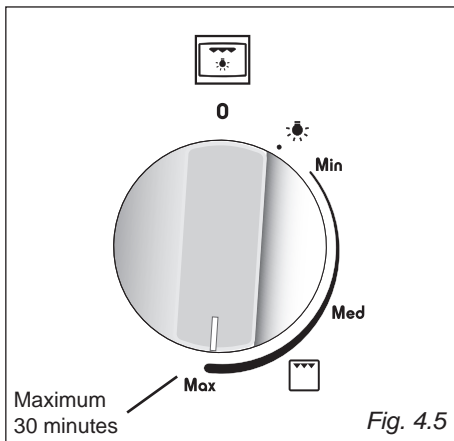
Introduce the food to be cooked positioning the rack as close to the grill as possible; the dripping pan should be placed under the rack to catch the cooking juices and fats.

The grill shall be used with the oven door closed.

Use with the control knob in the maximum position for maximum 30 minutes.

It is recommended that you do not grill for longer than 30 minutes at any one time.

Attention: The oven door becomes very hot during operation. Keep children away.



KEEP WARM OR SLOW HEATING

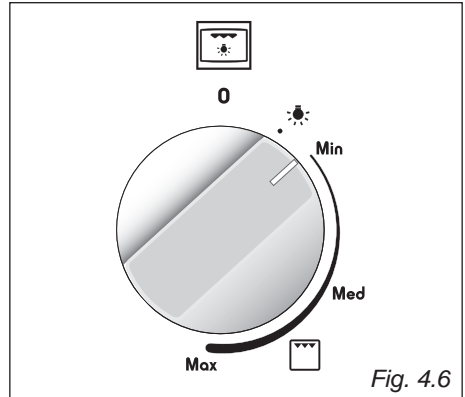
Switch on the electric grill.

Turn the grill control knob to the minimum position (fig. 4.6).

The heat is diffused throughout the oven by radiation.

Grilling with the oven door closed.

It is recommended that you do not grill for longer than 30 minutes at any one time.



OVEN DOOR GUARD

The glass on the oven door reaches high temperatures during operation.


For child safety, a door guard can be fitted to prevent contact with the hot glass.

The door guard is supplied as an accessory at extra cost, if required.

Contact the After-Sales Service and indicate the model name of your product.

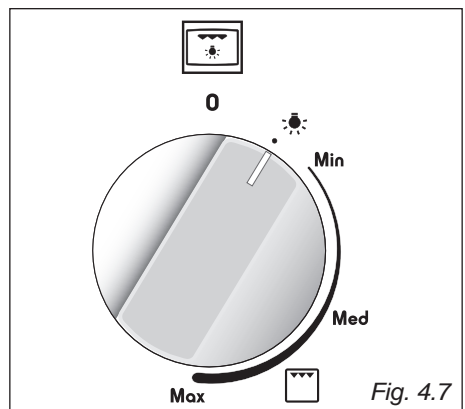
OVEN LIGHT

The oven provides an interior lamp to allow the visual inspection during the cooking.

To light the oven lamp turn the grill control knob (fig. 4.7) to the symbol .

NOTE:

The oven lamp stays alight during the grill operation.



5 OVEN TEMPERATURE GUIDE

Cooking process	Oven heat	Gas mark	Electric oven temperature	
			°C	°F
Keeping food hot, milk puddings	very cool	½	120	250
Egg custards	cool	1	140	275
Rich fruit cakes, braising	cool	2	150	300
Low temperature roasting, shortbread	moderate	3	160	325
Victoria sandwich, plain fruit cake, baked fish	moderate	4	180	350
Small cakes, choux pastry	fairly hot	5	190	375
Short pastry, Swiss rolls, soufflés	fairly hot	6	200	400
High temperature roasting, flaky pastry, scones	hot	7	220	425
Puff pastry, bread	very hot	8	230	450
Small puff pastries, browning cooked foods	very hot	9	240	475

These temperatures relate to the centre oven temperature.

Remember to use ovenproof dishes and to adjust the oven temperature during cooking if necessary.

6 120 MINUTE TIMER

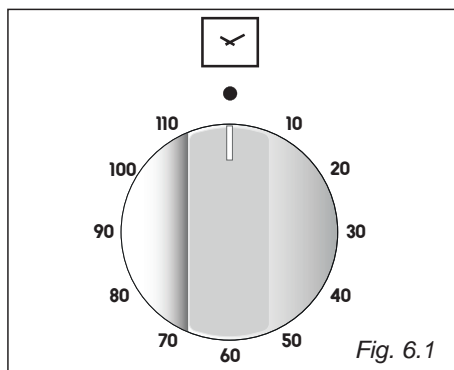
120 MINUTE TIMER (fig. 6.1)

The timer can be set to a maximum of 120 minutes and a buzzer will sound at the end of the countdown.

The knob must be rotated clockwise as far as the 120 minute position first and then set to the required time by rotating it anticlockwise.

IMPORTANT WARNING: This is only a mechanical timer.
Remember to turn off the oven/grill manually.

NOTE:
The knob and symbols may vary.



7

CLEANING AND MAINTENANCE

GENERAL ADVICE

- **Before you begin cleaning, you must ensure that the appliance is switched off at the cooker switch.**
- The periodical lubrication of the gas taps must be done only by specialized personnel.
- If a tap becomes stiff, do not force; contact your local After Sales Service Centre.
- It is advisable to clean when the appliance is cold and especially when cleaning the enamelled parts.
- Avoid leaving alkaline or acidic substances (lemon juice, vinegar, etc.) on the surfaces.
- **Avoid using cleaning products with a chlorine or acidic base.**
- **Important: The use of suitable protective clothing/gloves is recommended when handling or cleaning this appliance.**
- **Under no circumstances should any external covers be removed for servicing or maintenance except by suitable qualified personnel.**
- Clean the surfaces with a damp cloth and using neutral, non-aggressive detergents. Complete the cleaning with a dry, clean cloth.
IMPORTANT: Never use abrasive products (e.g. certain type of sponges) and/or aggressive products (e.g. caustic soda, detergents containing corrosive substances) that could irreversibly damage the surfaces.

WARNING:

When correctly installed, your product meets all safety requirements laid down for this type of product category.

However special care should be taken around the rear or the underneath of the appliance as these areas are not designed or intended to be touched and may contain sharp or rough edges, that may cause injury.

CLEANING

- **Stainless steel hob:** Spillage on the hob can usually be removed by a damp soapy cloth. More obstinate stains can be removed by using a proprietary stainless steel cleaning product that does not contain chlorine or acidic base.
- **Control panel fascia:** Clean very carefully with water and neutral soap; the cloth used must be rinsed well and must be free of any cleaning chemicals to avoid damaging any screen print on the fascia.
- **Door, glass & painted surfaces:** Clean very carefully with water and neutral soap; the cloth used must be rinsed well and must be free of any cleaning chemicals.
- **Pan stands & burner caps:** Clean with a sponge and soapy water or proprietary cream cleaner. Always dry thoroughly. **DO NOT PUT IN THE DISHWASHER.**
- **Burner bodies (aluminium alloy):** They should be cleaned with soapy water and a clean cloth. For stubborn stains a proprietary cream or stainless steel cleaner may be used; however to maintain a uniform finish we would recommend the whole area is cleaned. **NOTE:** Please ensure the slots/castellations are kept free of the any material/cleaner. **DO NOT PUT BURNER BODIES INTO A DISHWASHER AS THIS MAY TURN THEM BLACK.**
- **Inside of oven:** The oven should always be cleaned after use when it has cooled down. The cavity should be cleaned using a mild detergent solution and warm water. Suitable proprietary chemical cleaners may be used only on enamel after first consulting the instructions supplied with the oven cleaner and testing a small sample on the oven cavity. Abrasive cleaning agents or scouring pads/cloths should not be used on the cavity surface.
NOTE: The manufacturers of this appliance will accept no responsibility for damage caused by chemical or abrasive cleaning.
Let the oven cool down and pay special attention not to touch the hot heating elements inside the oven cavity.

Important: The manufacturer declines all liability for possible damage caused by the use of unsuitable products to clean the appliance.

Attention!

The appliance gets very hot, mainly around the cooking areas. It is very important that children are not left alone in the kitchen when you are cooking.

Do not use a steam cleaner because the moisture can get into the appliance thus make it unsafe.

Do not use harsh abrasive cleaners or sharp metal scrapers to clean the oven door glass since they can scratch the surface, which may result in shattering of the glass.

BURNERS AND PAN SUPPORTS

These parts must be cleaned using a sponge and soapy water or other suitable non-abrasive products. Dry with a soft cloth.

Warning! Not dishwasher safe.

After cleaning, the burners and their flame spreaders must be well dried and correctly replaced.

It is very important to check that the burner flame spreader and the cap have been correctly positioned. Failure to do so can cause serious problems.

Check that the electrode "S" (figs. 7.1, 7.3) next to each burner is always clean to ensure trouble-free sparking. Check that the probe "T" (figs. 7.1, 7.3) next to each burner is always clean to ensure correct operation of the safety valves.

Both the probe and ignition plug must be very carefully cleaned.

Note: To avoid damage to the electric ignition do not use it when the burners are not in place.

Note: Continuous use may cause a change in the glaze around the burners and grids, corresponding to the areas exposed to the heat. This is a natural phenomenon and does not prevent the parts from working properly.

CORRECT REPLACEMENT OF THE AUXILIARY, SEMI-RAPID AND RAPID BURNERS

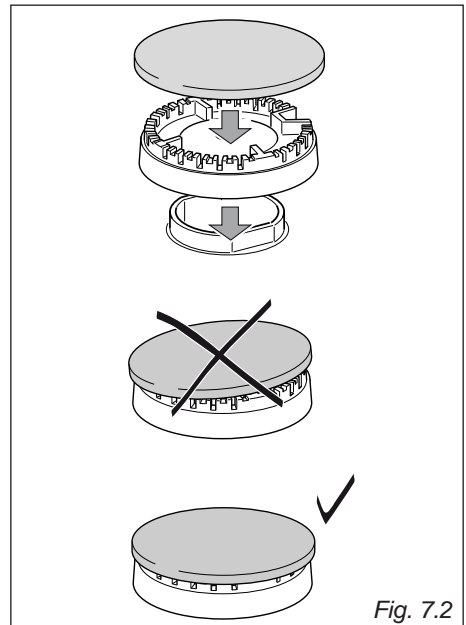
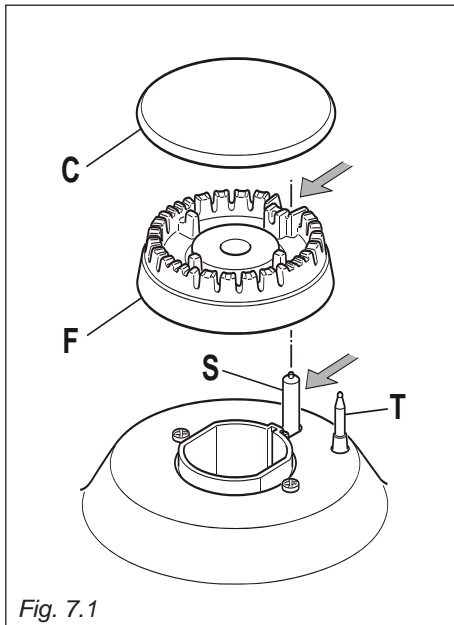
It is very important to check that the burner flame distributor "F" and the cap "C" have been correctly positioned (see figs. 7.1, 7.2) - failure to do so can cause serious problems with correct combustion and may cause irreversible damage to the hob surface.

CORRECT REPLACEMENT OF THE DOUBLE-RING COMPACT BURNER

The double-ring compact burner must be correctly positioned (see fig. 7.5); the burner rib must be entered in their logement as shown by the arrow (see fig. 7.3). Then position the cap "A" and the ring "B" (figs. 7.4, 7.5).

The burner correctly positioned must not rotate (fig. 7.4).

Failure to do so can cause serious problems with correct combustion and may cause irreversible damage to the hob surface.



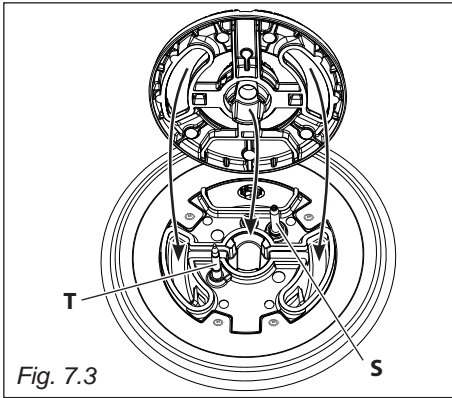


Fig. 7.3

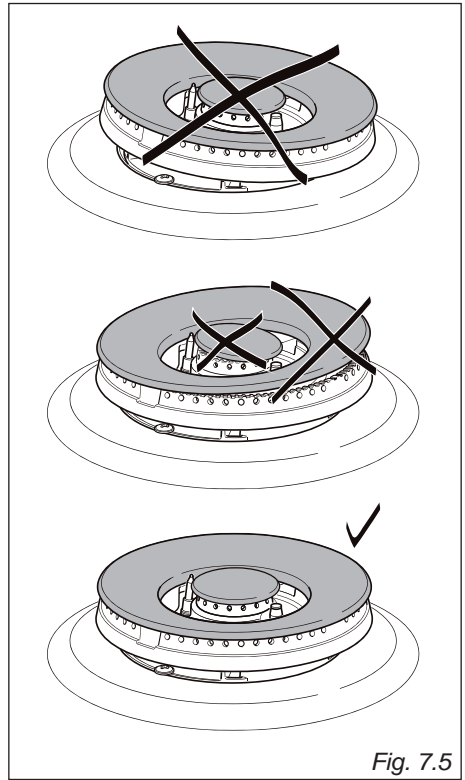


Fig. 7.5

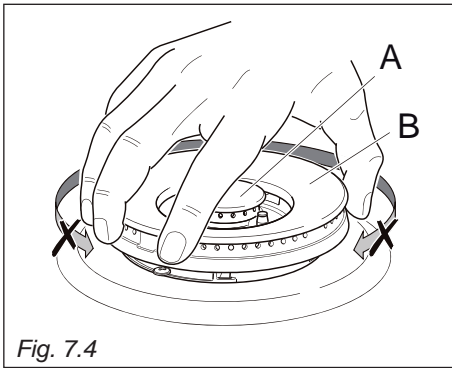


Fig. 7.4

ASSEMBLY AND DISMANTLING OF THE SIDE RUNNER FRAMES

- Fit the side runner frames into the holes on the side walls inside the oven (fig. 7.6).
- Slide the rack and the tray into the runners (fig. 7.7).
The rack must be fitted so that the safety catch, which stops it sliding out, faces the inside of the oven; the guard rail shall be at the back (fig. 7.7).
- To dismantle, operate in reverse order.

OVEN TRAY

The oven tray "L" must be inserted into the side runners (fig. 7.8).

OVEN FLOOR

The oven floor "F" (fig. 7.8) can be easily removed to facilitate cleaning.

Remember to replace the floor correctly afterwards.

Be careful not to confuse the tray "L" with the oven floor "F".

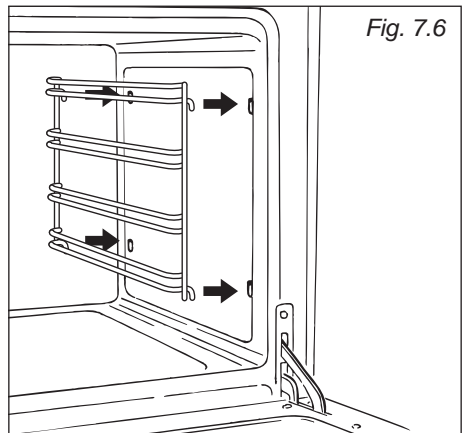
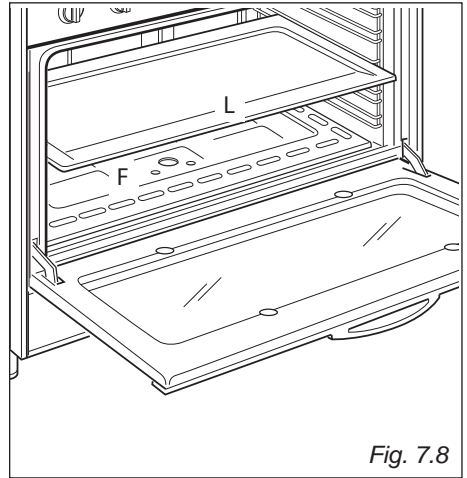
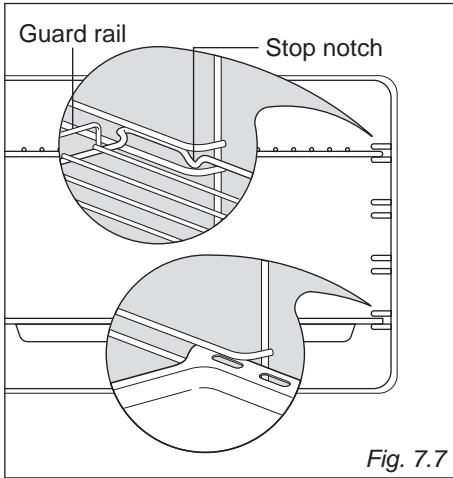


Fig. 7.6



REPLACING THE OVEN LAMP

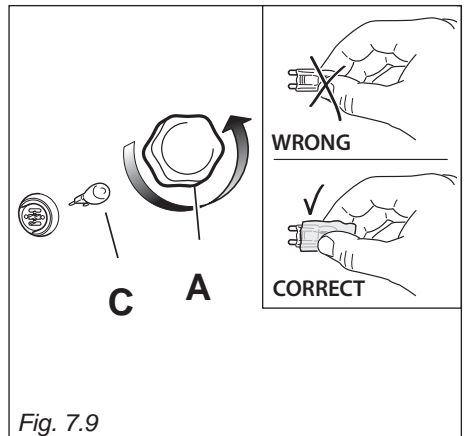
WARNING: Ensure the appliance is switched off and disconnected from the electrical power supply before replacing the lamp to avoid the possibility of electric shock.

- Let the oven cavity and the heating elements cool down.
 - Switch off the electrical supply.
 - Remove the protective cover "A" (fig. 7.9).
 - Replace the halogen lamp "C" with a new one suitable for high temperatures (300 °C) having the following specifications: 220-240 V, 50-60 Hz and same power (check watt power as stamped in the lamp itself) of the replaced lamp.
- IMPORTANT WARNING:** Never replace the bulb with bare hands; contamination from your fingers can cause premature failure. Always use a clean cloth or gloves.
- Refit the protective cover.

Note: Oven lamp replacement is not covered by your guarantee.

The intended purpose of the lamp, fitted on this appliance, is to illuminate the oven cavity and thus help the user to better monitor the food while cooking. This lamp is not suitable for other usage (e.g. environments lighting).

This product contains a light source of energy efficiency class G.

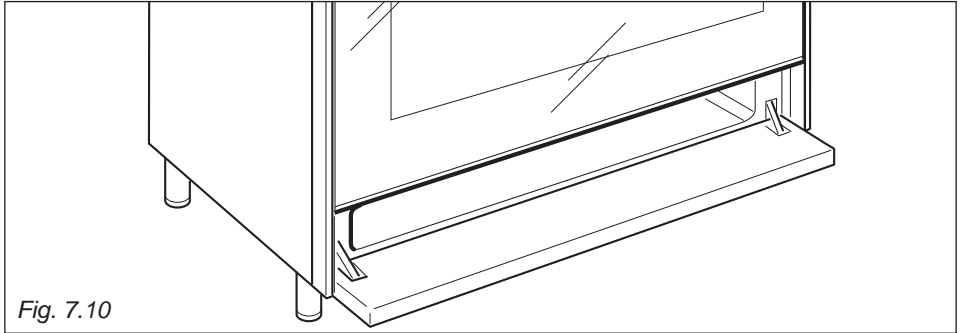


STORAGE COMPARTMENT

The storage compartment is accessible through the pivoting panel (fig. 7.10).

Do not store flammable material in the oven or in the storage compartment.

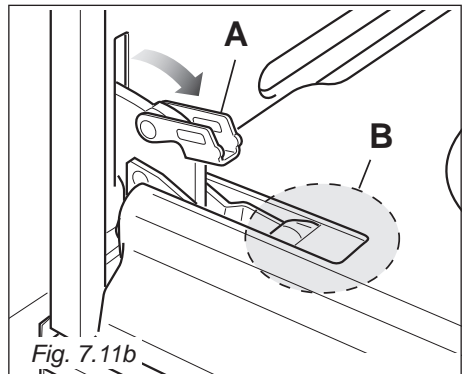
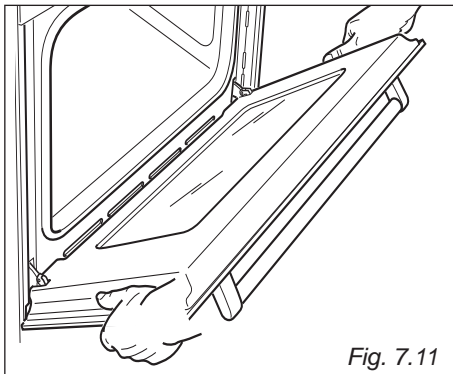
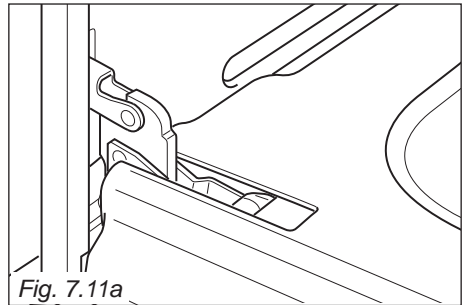
CAUTION: To assure a correct air flow to the burner, make sure there is an open air gap in the top area of the storage during operation of the gas oven.



REMOVING THE OVEN DOOR

The oven door can easily be removed as follows:

- Open the door to the full extent (fig. 7.11a).
- Open the lever "A" completely on the left and right hinges (fig. 7.11b).
- Hold the door as shown in fig. 7.11.
- Gently close the door (fig. 7.11c) until left and right hinge levers "A" are hooked to part "B" of the door (fig. 7.11b).
- Withdraw the hinge hooks from their location following arrow "C" (fig. 7.11d).
- Rest the door on a soft surface.
- To replace the door, repeat the above steps in reverse order.



Important!

Always keep a safe distance from the door hinges, paying special attention to position of your hands.

If the door hinges are not correctly hooked, they could unhook and close suddenly and unexpectedly with risk of injury.

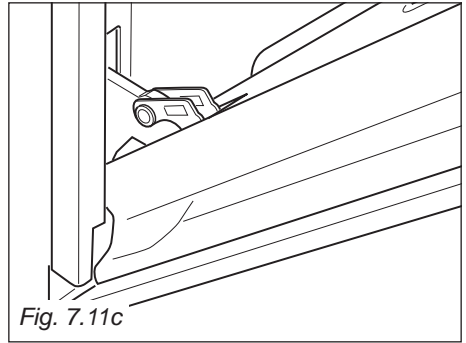
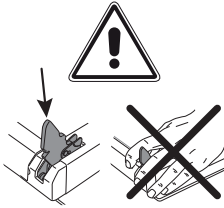


Fig. 7.11c

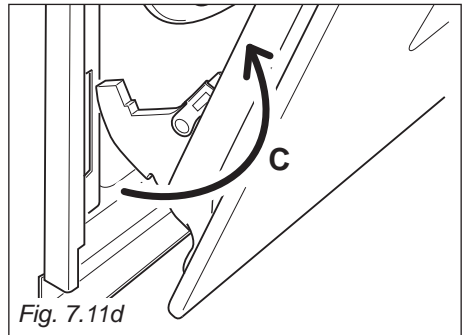


Fig. 7.11d

REFIT THE DOORS

1. Hold the door firmly (fig. 7.12a).
2. Insert the hinge tongues into the slots, making sure that the groove drops into place as shown in the figure 7.12b.
3. Open the door to its full extent.
4. Fully close the levers "A" on the left and right hinges, as shown in the figure 7.12c.
5. Close the door and check that it is properly in place.

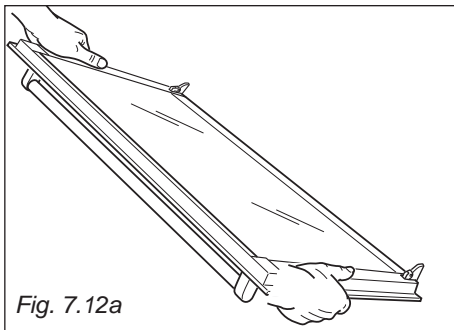


Fig. 7.12a

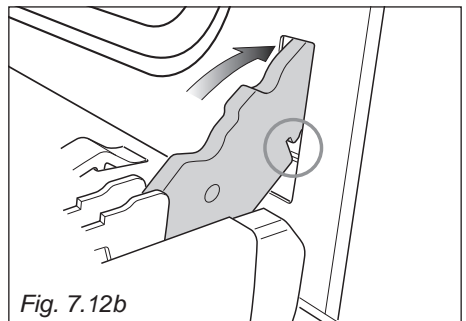


Fig. 7.12b

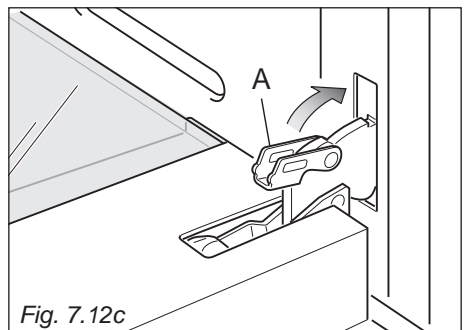


Fig. 7.12c

8

GUARANTEE

Your new “De’Longhi” product comes with 12-month guarantee covering all parts and labour.

If your appliance proves to be defective as a result of faulty materials or workmanship during the guarantee period, these parts will be repaired or replaced free of charge.

AFTER SALES SERVICE

Should you require service, spares or product information and advice:

- Please Telephone 01908 733 010 (Great Britain)
028 9744 2461 (Northern Ireland - Mon to Fri 9:00am to 5:00pm
Excluding Bank Holidays)
 - Details of your purchase receipt will be required if you require service within the first 12-month of purchase.
1. The rights and benefits under this guarantee are additional to your statutory rights, which are not affected by this guarantee.
 2. The manufacturer undertakes within the specified period, to repair or replace free of charge any parts of the appliance found to be defective provided that:
 - We are promptly informed of the defect.
 - The appliance is installed and used in accordance with the written instructions enclosed with the appliance.
 - The appliance is used only on an electrical supply as indicated on the rating label fixed to the appliance.
 - The appliance has not been altered in any way or subject to misuse or repaired by a person other than an authorised service agent.
 3. No rights are given under this guarantee to a person acquiring the appliance second hand or for commercial, semi-commercial or communal use.
 4. This guarantee applies throughout the UK and Channel Islands.
 5. Any repaired or replacement appliances will be guaranteed on these terms for the unexpired portion of the guarantee.

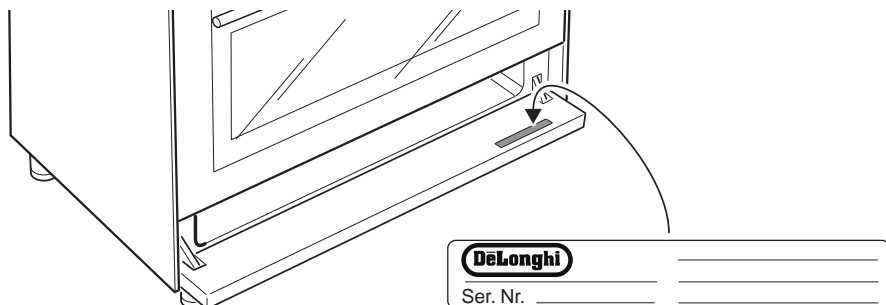


Fig. 8.1

Descriptions and illustrations in this booklet are given as simply indicative. The manufacturer reserves the right, considering the characteristics of the models described here, at any time and without notice, to make eventual necessary modifications for their construction or for commercial needs.

www.delonghi-cookers.co.uk

Cod. 1106794 - B0

