

Extractor hood

[en] User manual and installation instructions

**D65XCC2S. D95XCC2S0 D65XCC2S0B
D85XCC2S0B D95XCC2S5
D95XCC2S0B**



You can find additional information and explanations online.
Scan the QR code on the title page.



Table of contents

INFORMATION FOR USE		8 Cleaning and servicing	6
1 Safety	2	9 Troubleshooting	7
2 Avoiding material damage	4	10 Disposal	8
3 Environmental protection and saving energy	4	11 Customer Service	8
4 Operating modes	4	12 Accessories	8
5 Familiarising yourself with your appliance	5	13 Test information	9
6 Before using for the first time	5	14 INSTALLATION INSTRUCTIONS	9
7 Basic operation	5	14.3 Secure installation	9

1 Safety

Observe the following safety instructions.

1.1 General information

- Read this instruction manual carefully.
- Keep the instruction manual and the product information safe for future reference or for the next owner.
- Do not connect the appliance if it has been damaged in transit.

1.2 Intended use

This appliance is not intended to be used as a built-in appliance.

The appliance can only be used safely if it is correctly installed according to the safety instructions. The installer is responsible for ensuring that the appliance works perfectly at its installation location.

Only use this appliance:

- For extracting cooking vapour.
- in private households and in enclosed spaces in a domestic environment.
- Up to an altitude of 4000 m above sea level.

1.3 Restriction on user group

This appliance may be used by children aged 8 or over and by people who have reduced physical, sensory or mental abilities or inadequate experience and/or knowledge, provided that they are supervised or have been instructed on how to use the appliance safely and have understood the resulting dangers.

Do not let children play with the appliance. Children must not perform cleaning or user maintenance unless they are at least 15 years old and are being supervised. Keep children under the age of 8 years away from the appliance and power cable.

1.4 Safe use

WARNING – Risk of fire!

Fatty deposits in the grease filters may catch fire.

- ▶ Never operate the appliance without a grease filter.
- ▶ Clean the grease filters regularly.
- ▶ Never work with naked flames close to the appliance (e.g. flambéing).
- ▶ Do not install the appliance near a solid fuel heating appliance (e.g. wood- or coal-burning) unless the heating appliance has a sealed, non-removable cover. There must be no flying sparks.

Hot oil and fat ignites very quickly.

- ▶ Always supervise hot oil and fat.
- ▶ Never extinguish burning oil or fat with water. Switch off the hotplate. Extinguish flames carefully using a lid, fire blanket or something similar and leave to cool down.

Fatty deposits in the grease filters may catch fire.

- ▶ Clean the grease filters regularly.

⚠ **WARNING – Risk of suffocation!**

Children may put packaging material over their heads or wrap themselves up in it and suffocate.

- ▶ Keep packaging material away from children.
- ▶ Do not allow children to play with packaging material.

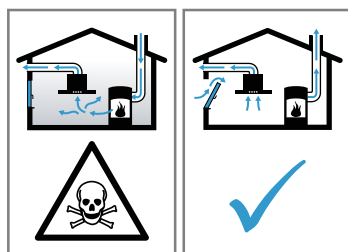
Children may breathe in or swallow small parts, causing them to suffocate.

- ▶ Keep small parts away from children.
- ▶ Do not let children play with small parts.

⚠ **WARNING – Risk of poisoning!**

Risk of poisoning from flue gases being drawn back in. Room-air-dependent heat-producing appliances (e.g. gas, oil, wood or coal-operated heaters, continuous flow heaters or water heaters) obtain combustion air from the room in which they are installed and discharge the exhaust gases into the open through an exhaust gas system (e.g. a chimney). With the extractor hood switched on, air is extracted from the kitchen and the adjacent rooms.

Without an adequate supply of air, the air pressure falls below atmospheric pressure. Toxic gases from the chimney or the extraction shaft are sucked back into the living space.



- ▶ Always ensure adequate fresh air in the room if the appliance is being operated in exhaust air mode at the same time as a room-air-dependent heat-producing appliance is being operated.
- ▶ It is only possible to safely operate the appliance if the pressure in the room in which the heating appliance is installed does not fall below 4 Pa (0.04 mbar). This can be achieved whenever the air needed for combustion is able to enter through openings that cannot be sealed, for example in doors, windows, incoming/exhaust air wall boxes or by other technical means. An incoming/exhaust air wall box alone is not sufficient to ensure compliance with the limit.
- ▶ In any case, consult your responsible chimney sweep. They are able to assess the house's entire ventilation setup and will sug-

gest the suitable ventilation measures to you.

- ▶ Unrestricted operation is possible if the appliance is operated exclusively in circulating-air mode.

Using a gas cooking appliance leads to a build-up of heat, moisture and combustion products in the room where the appliance is installed.

- ▶ Switch on the extractor hood when using a gas cooking appliance.

⚠ **WARNING – Risk of burns!**

The accessible parts of the appliance become hot during operation.

- ▶ Never touch these hot parts.
- ▶ Keep children at a safe distance.

The appliance becomes hot during operation.

- ▶ Allow the appliance to cool down before cleaning.

⚠ **WARNING – Risk of injury!**

Components inside the appliance may have sharp edges.

- ▶ Carefully clean the appliance interior.

Changes to the electrical or mechanical assembly are dangerous and may lead to malfunctions.

- ▶ Do not make any changes to the electrical or mechanical assembly.

The light emitted by LED lights is very dazzling, and can damage the eyes (risk group 1).

- ▶ Do not look directly into the switched-on LED lights for longer than 100 seconds.

Improper repairs are dangerous.

- ▶ Repairs to the appliance should only be carried out by trained specialist staff.
- ▶ If the appliance is defective, call Customer Service.

→ "Customer Service", Page 8

⚠ **WARNING – Risk of electric shock!**

If the appliance or the power cord is damaged, this is dangerous.

- ▶ Never operate a damaged appliance.
- ▶ Never pull on the power cord to unplug the appliance. Always unplug the appliance at the mains.
- ▶ If the appliance or the power cord is damaged, immediately unplug the power cord or switch off the fuse in the fuse box.
- ▶ Call customer service. → Page 8

Improper repairs are dangerous.

- ▶ Repairs to the appliance should only be carried out by trained specialist staff.

- ▶ Only use genuine spare parts when repairing the appliance.
- ▶ If the power cord of this appliance is damaged, it must be replaced by trained specialist staff.

An ingress of moisture can cause an electric shock.

- ▶ Before cleaning, pull out the mains plug or switch off the fuse in the fuse box.
- ▶ Do not use steam- or high-pressure cleaners to clean the appliance.

Penetrating moisture may cause an electric shock.

- ▶ Do not use wet sponge cloths.

⚠ WARNING – Risk of explosion!

Highly caustic alkaline or highly acidic cleaning agents in conjunction with aluminium parts in the interior of the appliance may cause explosions.

- ▶ Never use highly caustic alkaline or highly acidic cleaning agents. In particular, do not use commercial or industrial cleaning agents in conjunction with aluminium parts, e.g. grease filter on extractor hoods.

2 Avoiding material damage

ATTENTION

Condensate may cause corrosion damage.

- ▶ To prevent condensation from building up, switch on the appliance during cooking.

If moisture gets into the controls, this may result in damage.

- ▶ Never clean controls with a wet cloth.

Incorrect cleaning damages the surfaces.

- ▶ Follow the cleaning instructions.
- ▶ Do not use harsh or abrasive detergents.
- ▶ Clean stainless steel surfaces in the direction of the finish only.
- ▶ Never clean controls with stainless steel cleaners.

Condensation that flows back in may damage the appliance.

- ▶ To prevent condensate from returning, fit the exhaust air pipe with a 1° gradient from the appliance.

If you put incorrect stress on the design elements, they may break off.

- ▶ Do not pull design elements.
- ▶ Do not place objects on the design elements or hang objects from them.

There is a risk of surface damage if you do not peel off the protective film.

- ▶ Remove the protective film from all parts of the appliance before using for the first time.

Painted surfaces are easily damaged.

- ▶ Follow the cleaning instructions.
→ *"Cleaning the appliance", Page 6*
- ▶ Ensure that the painted surfaces are not scratched.

3 Environmental protection and saving energy

3.1 Disposing of packaging

The packaging materials are environmentally compatible and can be recycled.

- ▶ Sort the individual components by type and dispose of them separately.

3.2 Saving energy

If you follow these instructions, your appliance will use less power.

Adjust the fan speed to the amount of steam produced during cooking.

- ✓ The lower the fan speed, the less energy is consumed.

If cooking produces large amounts of steam, select a higher fan speed in good time.

- ✓ The odours are distributed around the room less.

Switch off the lighting if it is no longer required.

- ✓ When the lighting is switched off, it does not consume any energy.

Clean or replace the filters at regular intervals.

- ✓ The effectiveness of the filter is retained.

Put the cooking lid on.

- ✓ The cooking vapours and condensation are reduced.

Only use the additional functions if required.

- ✓ Switching off additional functions reduces power consumption.

4 Operating modes

You can use your appliance in air extraction mode or circulating-air mode.

4.1 Air extraction mode

The air which is drawn in is cleaned by the grease filters and conveyed to the exterior by a pipe system.



The air must not be discharged into a flue that is used for exhausting fumes from appliances burning gas or other fuels (not applicable to appliances that only discharge the air back into the room).

- If the exhaust air is to be conveyed into a non-functioning smoke or exhaust gas flue, you must obtain the consent of the heating engineer responsible.
- If the exhaust air is conveyed through the external wall, a telescopic duct should be used.

4.2 Air recirculation

The air which is drawn in is cleaned by the grease filters and an odour filter, and conveyed back into the room.



To bind odours in air recirculation mode, you must install an odour filter. The different options for operating the appliance in air circulation mode can be found in our catalogue. Alternatively, ask your dealer. The required accessories are available from specialist retailers, from our after-sales service or from the online shop.

5 Familiarising yourself with your appliance

5.1 Control elements

You can use the controls to configure all functions of your appliance and to obtain information about the operating status.



1	Switching fan setting 1 on or off
2	Switching fan setting 2 on or off
3	Switching fan setting 3 on or off
	Switching the lighting on or off

6 Before using for the first time

Configure the settings for initial start-up. Clean the appliance and accessories.

6.1 Setting an operating mode

Your appliance is set to air extraction mode by default.

Note: When using it in circulating-air mode, you require additional accessories.

7 Basic operation

7.1 Switching on the appliance

Note: The symbols on the glass flap have no function. They indicate the position of the control elements under the appliance. The glass flap protects adjacent upper cabinets.

1. Open the glass flap as far as it will go.
 2. Press fan setting 1, 2 or 3.
- ✓ The appliance starts at the selected fan setting.

7.2 Switching off the appliance

- ▶ Press all the selected fan settings again.

7.3 Lighting

Switching on the lighting

The lighting can be switched on and off independently of the ventilation system.

- ▶ Press .

Switching off the lighting

- ▶ Press .
- ✓ The lighting switches off.

8 Cleaning and servicing

8.1 Cleaning products

You can obtain suitable cleaning products from after-sales service or the online shop.

⚠ WARNING – Risk of electric shock!

An ingress of moisture can cause an electric shock.

- ▶ Before cleaning, pull out the mains plug or switch off the fuse in the fuse box.
- ▶ Do not use steam- or high-pressure cleaners to clean the appliance.

⚠ WARNING – Risk of burns!

The appliance becomes hot during operation.

- ▶ Allow the appliance to cool down before cleaning.

ATTENTION

Unsuitable cleaning products may damage the surfaces of the appliance.

- ▶ Do not use harsh or abrasive detergents.
- ▶ Do not use cleaning products with a high alcohol content.
- ▶ Do not use hard scouring pads or cleaning sponges.
- ▶ Only use glass cleaners, glass scrapers or stainless steel care products if recommended in the cleaning instructions for the relevant part.
- ▶ Wash sponge cloths thoroughly before use.

8.2 Cleaning the appliance

Clean the appliance as specified. This will ensure that the different parts and surfaces of the appliance are not damaged by incorrect cleaning or unsuitable cleaning products.

⚠ WARNING – Risk of explosion!

Highly caustic alkaline or highly acidic cleaning agents in conjunction with aluminium parts in the interior of the appliance may cause explosions.

- ▶ Never use highly caustic alkaline or highly acidic cleaning agents. In particular, do not use commercial or industrial cleaning agents in conjunction with aluminium parts, e.g. grease filter on extractor hoods.

⚠ WARNING – Risk of electric shock!

An ingress of moisture can cause an electric shock.

- ▶ Before cleaning, pull out the mains plug or switch off the fuse in the fuse box.
- ▶ Do not use steam- or high-pressure cleaners to clean the appliance.

⚠ WARNING – Risk of burns!

The appliance becomes hot during operation.

- ▶ Allow the appliance to cool down before cleaning.

⚠ WARNING – Risk of injury!

Components inside the appliance may have sharp edges.

- ▶ Carefully clean the appliance interior.

1. Observe the information regarding the cleaning agents.

→ "Cleaning products", Page 6

2. Clean as follows, depending on the surface:
 - ▶ Clean stainless steel surfaces in the direction of the finish using a sponge cloth and hot soapy water.
 - ▶ Clean painted surfaces using a damp sponge cloth and hot soapy water.
 - ▶ Clean aluminium using a soft cloth and glass cleaner.
 - ▶ Clean plastic using a soft cloth and glass cleaner.
 - ▶ Clean glass using a soft cloth and glass cleaner.
3. Dry with a soft cloth.
4. Apply a thin layer of the stainless steel cleaning product to stainless steel surfaces using a soft cloth. You can obtain stainless steel cleaning products from the after-sales service or the online shop.

8.3 Cleaning controls and lights

⚠ WARNING – Risk of electric shock!

Penetrating moisture may cause an electric shock.

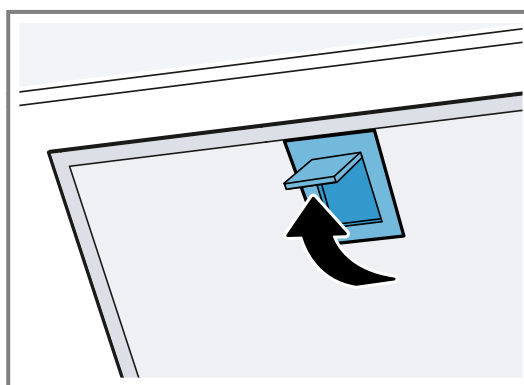
- ▶ Do not use wet sponge cloths.

1. Observe the information regarding the cleaning agents.
→ "Cleaning products", Page 6
2. Clean using a damp sponge cloth and hot soapy water.
3. Dry with a soft cloth.

8.4 Grease filter

Removing the grease filter

1. Open the glass flap as far as it will go.
2. Switch off the appliance.
3. **ATTENTION** – Falling grease filters may damage the hob below.
 - ▶ Grip below the grease filter with one hand. Open the locks on the grease filters.



4. Remove the grease filters from the holders. To prevent grease from dripping, hold the grease filter horizontally.

Cleaning grease filters manually

The grease filters filter the grease from the cooking vapour. Regularly cleaned grease filters guarantee a high level of grease removal. We recommend cleaning the grease filters every two months.

⚠ WARNING – Risk of fire!

Fatty deposits in the grease filters may catch fire.
 ▶ Clean the grease filters regularly.

Requirement: The grease filters have been removed.

→ "Removing the grease filter", Page 6

1. Observe the information regarding the cleaning agents.
 → "Cleaning products", Page 6
2. Soak the grease filter in hot soapy water.
 Use special grease solvent for stubborn dirt. You can obtain grease solvents from customer service or the online shop.
3. Use a brush to clean the grease filters.
4. Rinse the grease filters thoroughly.
5. Allow the grease filters to drain.

Cleaning grease filters in the dishwasher

The grease filters filter the grease from the cooking vapour. Regularly cleaned grease filters guarantee a high level of grease removal. We recommend cleaning the grease filters every two months.

⚠ WARNING – Risk of fire!

Fatty deposits in the grease filters may catch fire.
 ▶ Clean the grease filters regularly.

ATTENTION

The grease filters may become damaged if they are squeezed in the dishwasher.

▶ Do not squeeze the grease filters.

Note: When cleaning the grease filter in the dishwasher, light discolouration may occur. This discolouration has no effect on the performance of the metal grease filters.

Requirement: The grease filters have been removed.

→ "Removing the grease filter", Page 6

1. Observe the information regarding the cleaning agents.
 → "Cleaning products", Page 6
2. Place the grease filters loosely into the dishwasher.
 Do not clean heavily soiled grease filters with utensils. Use special grease solvent for stubborn dirt. You can obtain grease solvents from customer service or the online shop.

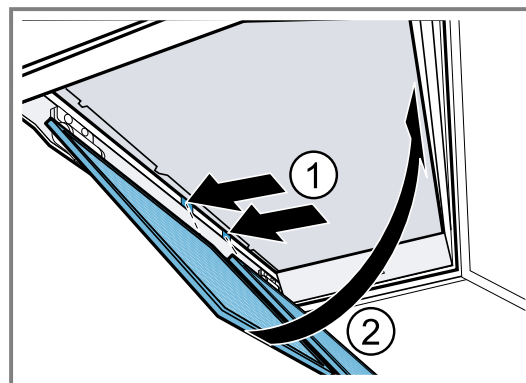
3. Start the dishwasher.
 Select a temperature of no more than 70 °C.
4. Allow the grease filters to drain.

Installing the grease filters

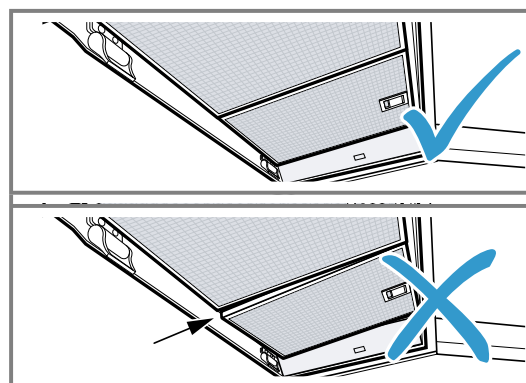
ATTENTION

Falling grease filters may damage the hob below.
 ▶ Grip below the grease filter with one hand.

1. Open the glass flap as far as it will go.
2. Switch off the appliance.
3. Insert the grease filter on the lower edge.^①
4. Fold the grease filters upwards and engage the locks.
^②



5. Ensure that the grease filters are inserted correctly.



6. Ensure that the locks engage.
7. Close the glass flap.

9 Troubleshooting

You can rectify minor faults on your appliance yourself. Read the troubleshooting information before contacting after-sales service. This will avoid unnecessary costs.

⚠ WARNING – Risk of injury!

Improper repairs are dangerous.

- ▶ Repairs to the appliance should only be carried out by trained specialist staff.
- ▶ If the appliance is defective, call Customer Service.
 → "Customer Service", Page 8

⚠ WARNING – Risk of electric shock!

Improper repairs are dangerous.

- ▶ Repairs to the appliance should only be carried out by trained specialist staff.
- ▶ Only use genuine spare parts when repairing the appliance.
- ▶ If the power cord of this appliance is damaged, it must be replaced by trained specialist staff.

9.1 Malfunctions

Fault	Cause and troubleshooting
The appliance is not working.	The mains plug of the power cord is not plugged in. ▶ Connect the appliance to the power supply.
	The circuit breaker in the fuse box has tripped. ▶ Check the circuit breaker in the fuse box.
	There has been a power cut. ▶ Check whether the lighting in your room or other appliances are working.
The LED lighting does not work.	Different causes are possible. ▶ Defective LED lights may be replaced by the manufacturer, their customer service or a qualified technician (electrician) only. ▶ Call . → "Customer Service", Page 8

10 Disposal

10.1 Disposing of old appliance

Valuable raw materials can be reused by recycling.

1. Unplug the appliance from the mains.
2. Cut through the power cord.
3. Dispose of the appliance in an environmentally friendly manner.
Information about current disposal methods are available from your specialist dealer or local authority.



This appliance is labelled in accordance with European Directive 2012/19/EU concerning used electrical and electronic appliances (waste electrical and electronic equipment - WEEE). The guideline determines the framework for the return and recycling of used appliances as applicable throughout the EU.

11 Customer Service

Function-relevant genuine spare parts according to the corresponding Ecodesign Directive can be obtained from Customer Service for a period of at least 10 years from the date on which your appliance was placed on the market within the European Economic Area. Furthermore, our Customer Service will continue to provide you with other function-relevant and storable genuine spare parts for up to 15 years from the date on which your appliance was placed on the market. For more information, please contact our Customer Service team.

Note: Under the terms of the manufacturer's warranty the use of Customer Service is free of charge.

Detailed information about the warranty period and the warranty conditions in your country is available via the QR code on the enclosed document on service contacts and warranty conditions, from our customer service or on our website.

You can find the contact details for our customer service via the QR code on the enclosed document on service contacts and warranty conditions or on our website.

11.1 Product number (E-Nr.) and production number (FD)

If you contact Customer Service, you will require the product number (E-Nr.) and the production number (FD), which you can find on the appliance's rating plate.

Depending on the model, the rating plate can be found:

- Inside the appliance (remove grease filters for access).
- On top of the appliance.

Make a note of your appliance's details and the Customer Service telephone number to find them again quickly.

12 Accessories

You can buy accessories from the after-sales service, from specialist retailers or online. Only use original accessories, as these have been specifically designed for your appliance.

Accessories vary from one appliance to another. When purchasing accessories, always quote the exact product number (E no.) of your appliance. → Page 8

You can find out which accessories are available for your appliance in our catalogue, in the online shop or from our after-sales service.

www.neff-home.com

13 Test information

This information has been produced to facilitate the inspection of the appliance.

- Measured in accordance with EN 61591.

- The appliance is operated in its as-delivered condition.
- Ensure that the filters do not move during the measurement (by changing the appliance position to the installation position).

14 Installation instructions

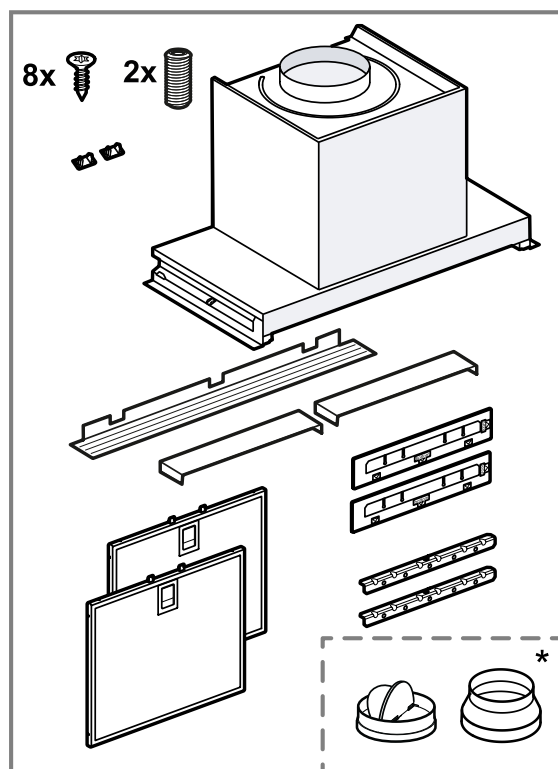
Observe this information when installing the appliance.



mm

14.1 Included with the appliance

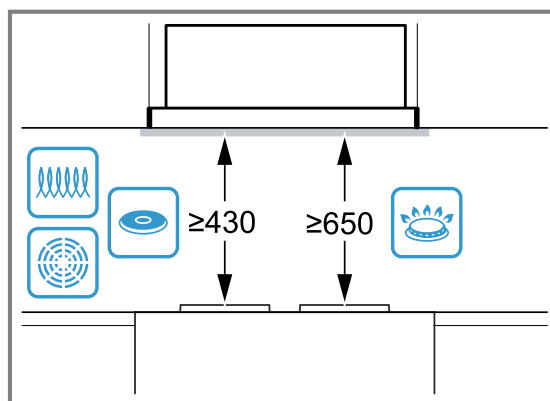
After unpacking all parts, check for any damage in transit and completeness of the delivery.



* Depending on the appliance type, this is not included in the scope of delivery.

14.2 Safety clearances

Comply with the safety clearances for the appliance.



For Australia and New Zealand the minimum safety clearance above electrical cooktops must be 600 mm.

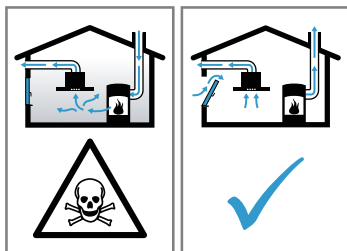
⚠ 14.3 Secure installation

Follow these safety instructions when installing the appliance.

⚠ **WARNING – Risk of poisoning!**

Risk of poisoning from flue gases being drawn back in. Room-air-dependent heat-producing appliances (e.g. gas, oil, wood or coal-operated heaters, continuous flow heaters or water heaters) obtain combustion air from the room in which they are installed and discharge the exhaust gases into the open through an exhaust gas system (e.g. a chimney). With the extractor hood switched on, air is extracted from the kitchen and the adjacent rooms. Without an adequate supply of air, the air pressure falls below atmospheric pressure. Toxic gases from the chimney or the extraction shaft

are sucked back into the living space.



- ▶ Always ensure adequate fresh air in the room if the appliance is being operated in exhaust air mode at the same time as a room-air-dependent heat-producing appliance is being operated.
- ▶ It is only possible to safely operate the appliance if the pressure in the room in which the heating appliance is installed does not fall below 4 Pa (0.04 mbar). This can be achieved whenever the air needed for combustion is able to enter through openings that cannot be sealed, for example in doors, windows, incoming/exhaust air wall boxes or by other technical means. An incoming/exhaust air wall box alone is not sufficient to ensure compliance with the limit.
- ▶ In any case, consult your responsible chimney sweep. They are able to assess the house's entire ventilation setup and will suggest the suitable ventilation measures to you.
- ▶ Unrestricted operation is possible if the appliance is operated exclusively in circulating-air mode.

Risk of poisoning from flue gases being drawn back in.

- ▶ If an extractor hood with an open-flued heat production source is installed, the power supply for the extractor hood must be provided with a suitable safety switch.

Risk of poisoning from flue gases being drawn back in.

- ▶ Do not emit the exhaust air into a smoke or exhaust gas flue that is in operation.
- ▶ Do not emit the exhaust air into a shaft that is used to ventilate installation rooms for heat-producing appliances.
- ▶ If the exhaust air is to be conveyed into a smoke or exhaust gas flue, you must obtain the consent of the heating engineer responsible.

⚠ WARNING – Risk of suffocation!

Children may put packaging material over their heads or wrap themselves up in it and suffocate.

- ▶ Keep packaging material away from children.
- ▶ Do not allow children to play with packaging material.

⚠ WARNING – Risk of fire!

The grease deposits in the grease filter may catch fire.

- ▶ Never work with naked flames close to the appliance (e.g. flambéing).
- ▶ Do not install the appliance near a heat-producing appliance for solid fuel (e.g. wood or coal) unless a closed, non-removable cover is present. There must be no flying sparks.
- ▶ The specified safety clearances must be complied with in order to prevent a build-up of heat.
- ▶ Observe the specifications for your cooking appliances. If the installation instructions for the cooking appliances specify a different clearance, the larger of the two must always be provided for. If gas hobs and electric hobs are operated together, the largest specified clearance applies.

⚠ WARNING – Risk of injury!

Components inside the appliance may have sharp edges.

- ▶ Wear protective gloves.

The appliance may fall down if it has not been properly fastened in place.

- ▶ All fastening components must be fixed firmly and securely in place.

Changes to the electrical or mechanical assembly are dangerous and may lead to malfunctions.

- ▶ Do not make any changes to the electrical or mechanical assembly.

⚠ WARNING – Risk of electric shock!

Sharp-edged components inside the appliance may damage the connecting cable.

- ▶ Do not kink or trap the connecting cable. If the appliance or the power cord is damaged, this is dangerous.
- ▶ Never operate a damaged appliance.
- ▶ Never pull on the power cord to unplug the appliance. Always unplug the appliance at the mains.

- ▶ If the appliance or the power cord is damaged, immediately unplug the power cord or switch off the fuse in the fuse box.
 - ▶ Call customer service. → *Page 8*
- Improper repairs are dangerous.
- ▶ Repairs to the appliance should only be carried out by trained specialist staff.
 - ▶ Only use genuine spare parts when repairing the appliance.
 - ▶ If the power cord of this appliance is damaged, it must be replaced by trained specialist staff.

Incorrect installation is dangerous.

- ▶ Connect and operate the appliance only in accordance with the specifications on the rating plate.
- ▶ Connect the appliance to a power supply with alternating current only via a properly installed socket with earthing.
- ▶ The protective conductor system of the domestic electrical installation must be properly installed.
- ▶ Never equip the appliance with an external switching device, e.g. a timer or remote control.
- ▶ When the appliance is installed, the mains plug of the power cord must be freely accessible. If free access is not possible, an all-pole isolating switch must be installed in the permanent electrical installation according to the conditions of Overvoltage Category III and according to the installation regulations.
- ▶ When installing the appliance, check that the power cable is not trapped or damaged.

14.4 General information

Follow these general instructions during the installation.

- For the installation, observe the currently valid building regulations and the regulations of the local electricity and gas suppliers.
- When discharging the exhaust air, the official and legal regulations, such as the regional building code, must be observed.
- In order to freely access the appliance for servicing, select an easy-to-reach installation site.
- The surfaces of the appliance are sensitive. Avoid damaging them during installation.

14.5 Instructions for the electrical connection

In order to safely connect the appliance to the electrical system, follow these instructions.

WARNING – Risk of electric shock!

It must always be possible to disconnect the appliance from the electricity supply. The appliance must only be

connected to a protective contact socket that has been correctly installed.

- ▶ The mains plug for the mains power cable must be easily accessible after the appliance is installed.
 - ▶ If this is not possible, an all-pole isolating switch must be integrated into the permanent electrical installation according to the conditions of overvoltage category III and according to the installation regulations.
 - ▶ The permanent electrical installation must only be wired by a professional electrician. We recommend installing a residual-current circuit breaker (RCCB) in the appliance's power supply circuit.
- Sharp-edged components inside the appliance may damage the connecting cable.
- ▶ Do not kink or trap the connecting cable.

- The connection data can be found on the rating plate. → *Page 8*
- The connecting cable is approx. 1.30 m long.
- This appliance complies with the EC interference suppression regulations.
- The appliance corresponds to protection class 1. You should therefore only use the appliance with a protective earth connection.
- Do not connect the appliance to the power supply during installation.
- Ensure that the protection against contact is guaranteed during installation.

14.6 Information on the installation situation

- We recommend standard installation → *Page 12*. For special installation situations, alternative installation → *Page 16* from below is possible.
- Install this appliance in a kitchen cupboard.
- To install additional special accessory parts, observe the enclosed installation instructions.
- The width of the extractor hood must correspond at least with the width of the hob.
- To optimally detect the cooking vapours, install the appliance in the middle of the hob.

14.7 Instructions for the exhaust air pipe

The appliance manufacturer does not provide any warranty for faults attributable to the pipeline.

- Use a short, straight exhaust air pipe with as large a pipe diameter as possible.
- Long, rough exhaust air pipes, many pipe bends or small pipe diameters reduce the suction power and increase the fan noise.
- Use an exhaust pipe that is made of non-combustible material.
- To prevent condensate from returning, fit the exhaust pipe with a 1° gradient from the appliance.

Flat ducts

Use flat ducts with an inner cross-section that corresponds to the diameter of the round pipes:

- Diameter of 150 mm corresponds to approx. 177 cm².
- Diameter of 120 mm corresponds to approx. 113 cm².
- Use sealing strips for different pipe diameters.
- Do not use any flat ducts with sharp bends.

14.8 Instructions for the air extraction mode

For air extraction mode, a one-way flap should be installed.

Notes

- If a one-way flap is not included with the appliance, one can be ordered from a specialist retailer.
- If the exhaust air is conveyed through the external wall, a telescopic duct should be used.

14.9 Installation video

If you scan this QR code with your smartphone, you can watch a video of the entire installation of the appliance.



Standard installation



Installation in a furniture cutout

14.10 Standard installation

Checking the units

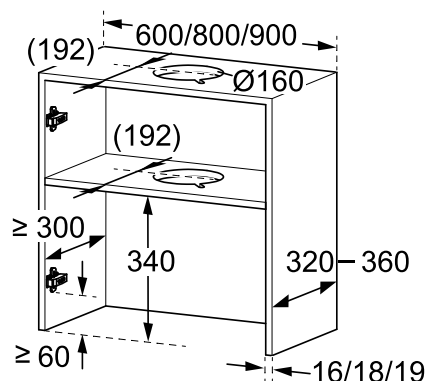
1. Check whether the fitted unit is level and has sufficient load-bearing capacity.
The maximum weight of the appliance is 12 kg.
Do not place items weighing more than 10 kg on each side of the appliance.
Note: Note the furniture manufacturer's specifications with regard to the load-bearing capacity of the fitted unit.
2. Ensure that the fitted unit is heat-resistant up to 90 °C.
3. Ensure that the fitted unit is still stable after the cut-outs have been made.

Preparing the units

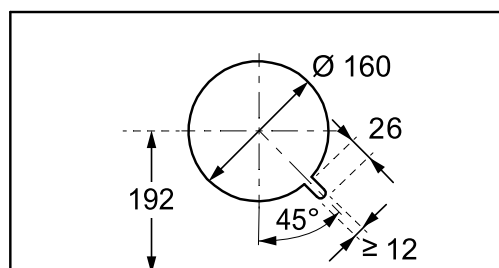
Requirement: The unit is suitable for the installation.

1. Cover the hob to prevent damage.

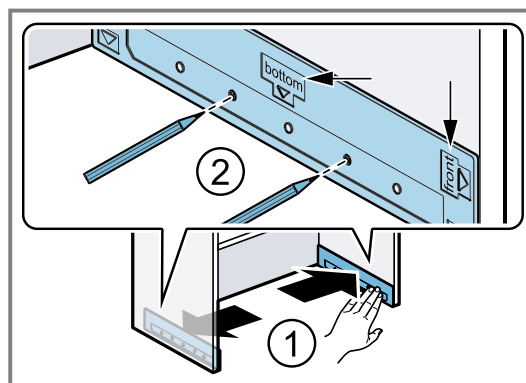
2. Detach the cabinet door.
3. Make the cut-out for the exhaust air pipe in the cabinet.



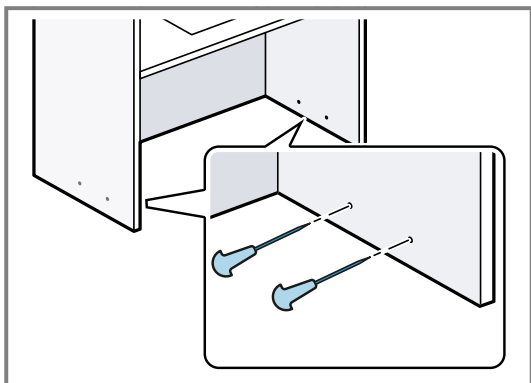
4. Make the cut-out for the exhaust air pipe in the intermediate floor.
 - ▶ Make the recess for the mains connection.



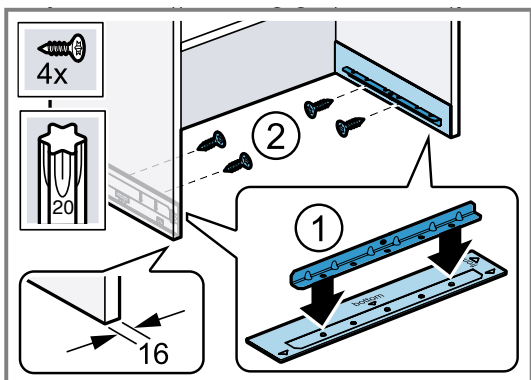
5. Ensure that the fitted unit is still stable after the cut-outs have been made.
6. Place the installation aid on the inside of the cabinet
 - ① and mark the fixing points ②.



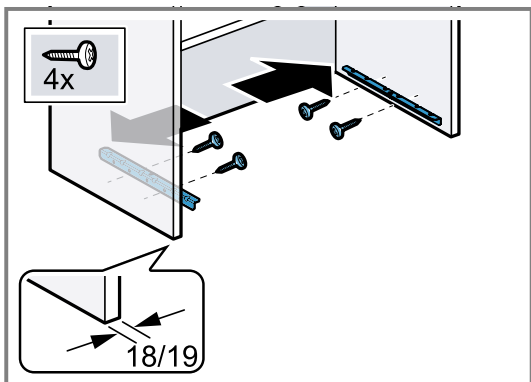
7. Use a bradawl to mark the fixing points.



8. For a wall thickness of 16 mm: Place the installation aids on the rails ① and screw the rails into the side walls of the cabinet ②.



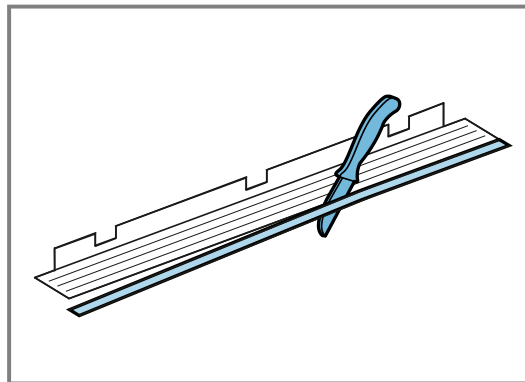
9. For a wall thickness of 18 mm and 19 mm: Screw in the rails without the installation aid.



Preparing the appliance

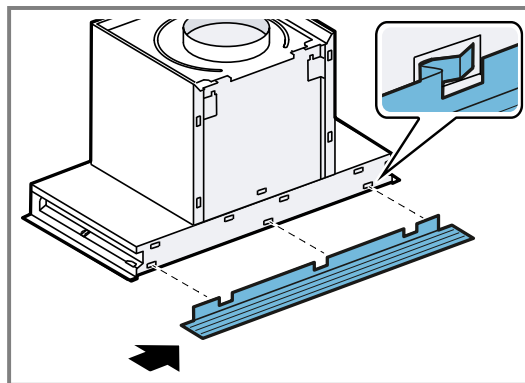
1. Place the appliance on a soft surface.

2. Measure the installation depth and, if necessary, cut the wall finishing strips to size.

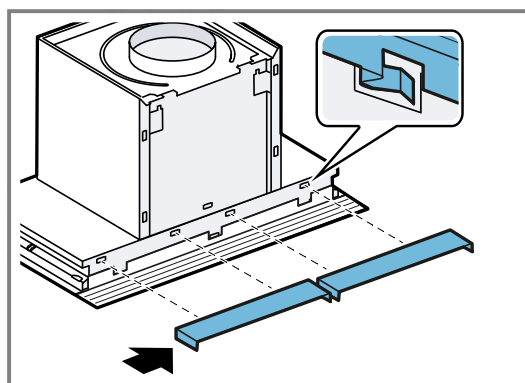


Note

Avoid damaging sensitive surfaces when installing the appliance.
Mount the lower finishing strip to the appliance from left to right.

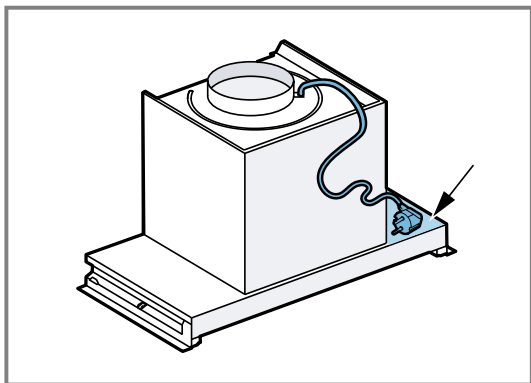


3. Then mount the upper wall finishing strips on the right and then on the left.

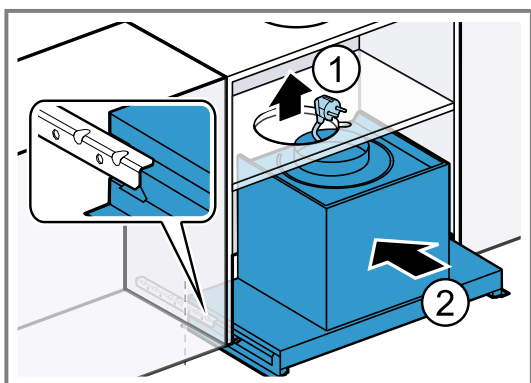


Installing the appliance

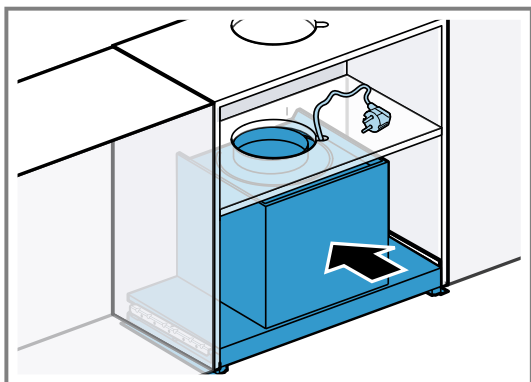
1. Place the mains plug to the side of the appliance.



2. Guide the mains plug through the cut-out ① and slide the appliance up to at least halfway into the rails ②.

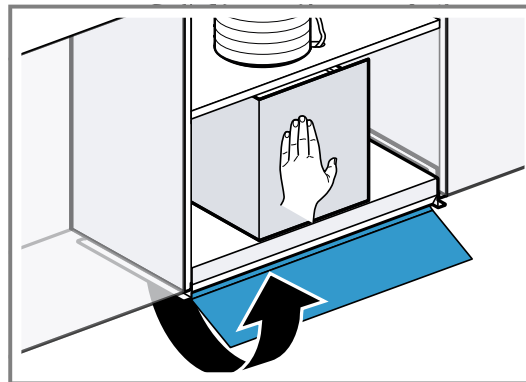


3. Slide the appliance as far as it will go into the cabinet.

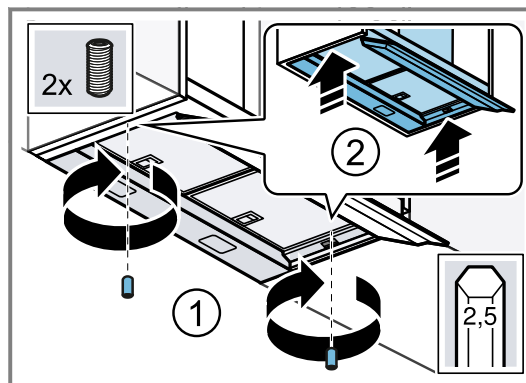


4. Fit the ducting.
5. **Note:** There may be a glass flap depending on the appliance type. If there is no glass flap present, continue with the next step.

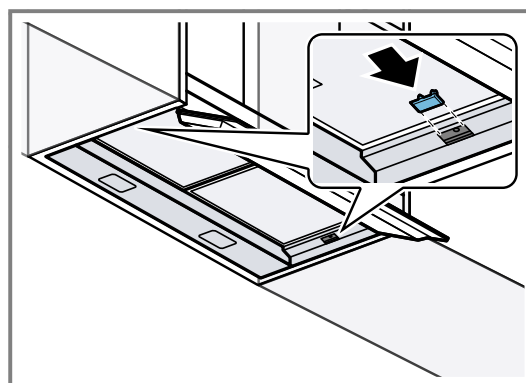
Gently push against the appliance with one hand and carefully open the glass flap.



6. **Note:** Ensure that the front of the appliance does not protrude over the front of the cabinet after it is screwed in. Screw the threaded pins through the recess in the rail and tighten them alternately hand-tight until the appliance is flush with the cabinet.

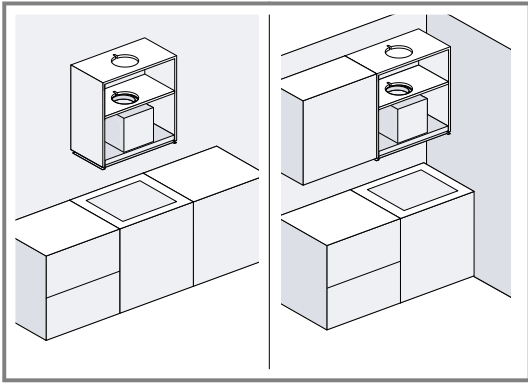


7. Insert the covers.

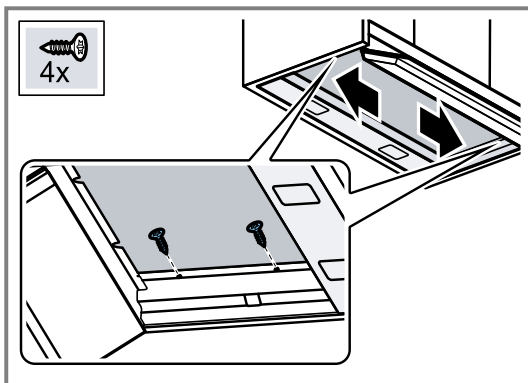


8. Remove the grease filters.
9. **Note:** Cabinets that hang freely on the wall or only adhere to one side of another cabinet must be stabilised using additional screws. If your cabinet is sup-

ported by additional cabinets from both sides, you can skip this step.



To stabilise the cabinet walls, screw in the screws on the right and left using a screwdriver.



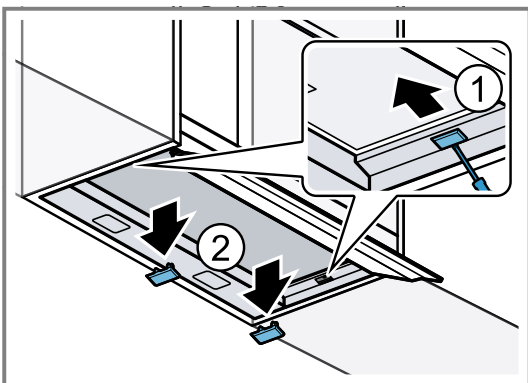
10. Insert the mains plug.

11. Remove the protective film from the grease filters and insert the grease filters into the appliance.

12. Refit the cabinet door.

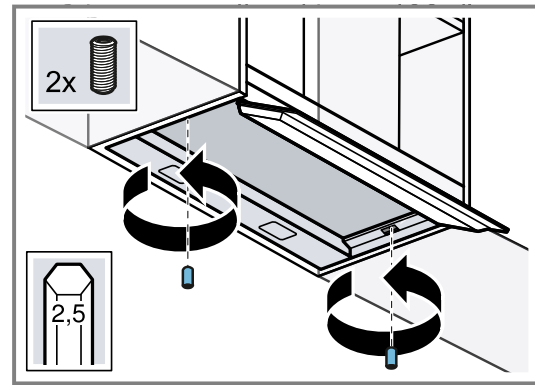
Removing the appliance

1. Unplug the mains plug.
2. Detach the cabinet door.
3. Remove the grease filters.
4. If the cabinet walls have been stabilised with 4 wooden screws, unscrew both screws.
5. **Note:** Before removing the appliance, remove any objects from the shelf. Carefully remove the covers.



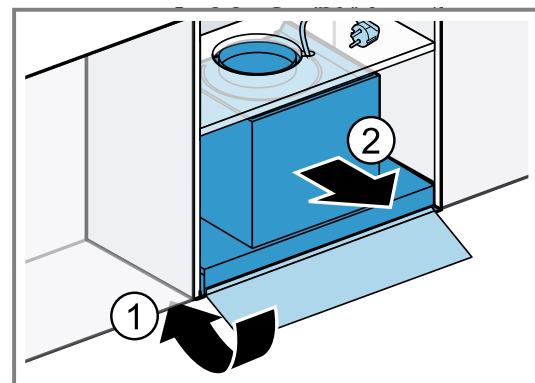
6. **Note:** There may be a glass flap depending on the appliance type. If there is no glass panel present, continue with the next step.

Open the glass flap and unscrew the threaded pins in the rail.

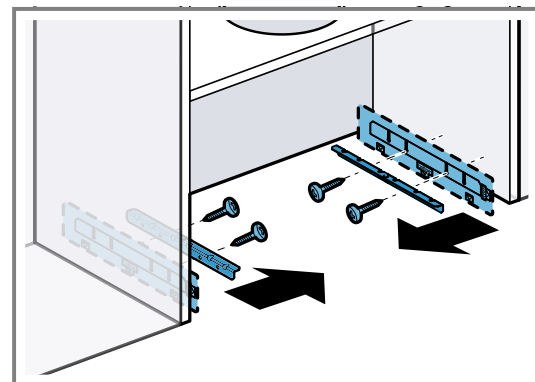


7. Loosen the pipework.

8. Close the glass flap ① and remove the appliance ②.



9. Unscrew the rails and, if used, unscrew the installation aids.



Piping

Note: If you are using an aluminium pipe, smooth the connection area beforehand.

We recommend air extraction ducting with an exhaust air pipe diameter of 150 mm.

If the diameter of the air extraction ducting is less than 150 mm, you need a reducer piece available separately from a specialist retailer.

Establishing the exhaust air connection (exhaust air pipe, 120 mm diameter)

1. Secure the reducing connector to the air-pipe connector.¹

¹ Depending on the appliance type, this is not included in the scope of delivery.

2. Secure the exhaust air pipe to the reducing connector.
3. Establish the connection to the exhaust air opening.
4. Seal the joints.

Establishing the exhaust air connection (exhaust air pipe, 150 mm diameter)

1. Secure the exhaust pipe to the air pipe connector.
2. Establish the connection to the exhaust air opening.
3. Seal the joints.

14.11 Installation in a furniture cutout

Alternative installation is possible for special installation situations, e.g. for installation in a cabinet cut-out or if the standard installation from the front is not possible.

Note: We generally recommend standard installation.

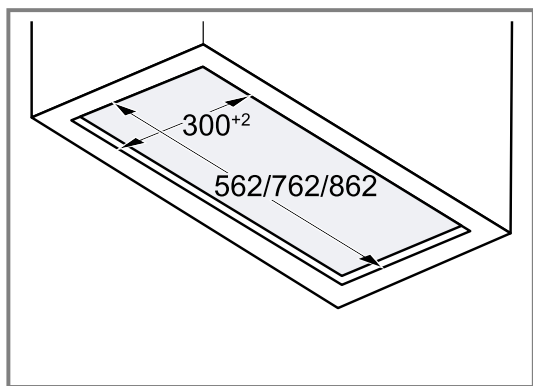
Checking the units

1. Check whether the fitted unit is level and has sufficient load-bearing capacity.
The maximum weight of the appliance is 12 kg. Do not place items weighing more than 10 kg on each side of the appliance.
Note: Note the furniture manufacturer's specifications with regard to the load-bearing capacity of the fitted unit.
2. Ensure that the fitted unit is heat-resistant up to 90 °C.
3. Ensure that the fitted unit is still stable after the cut-outs have been made.

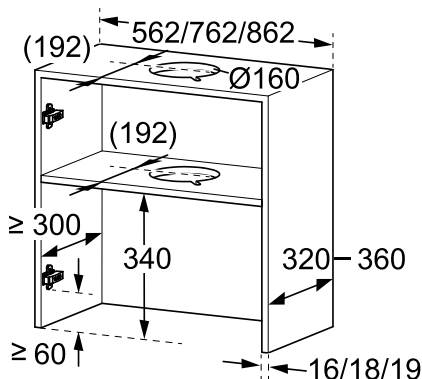
Preparing the units

Requirement: The unit is suitable for the installation.

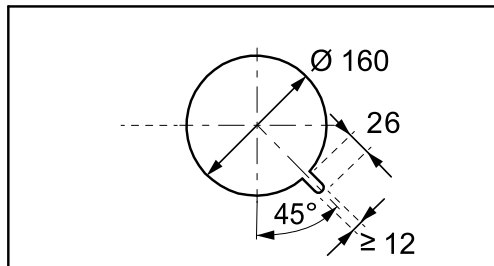
1. Detach the cupboard door, if required.
2. Make the cut-out for the appliance.



3. Make the cut-out for the exhaust air pipe in the cupboard.



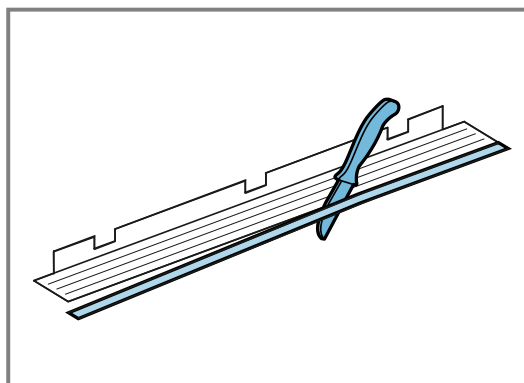
4. Make the cut-out for the exhaust air pipe in the intermediate floor.
 - ▶ Make the recess for the mains connection.



5. Ensure that the fitted unit is still stable after the cut-outs have been made.

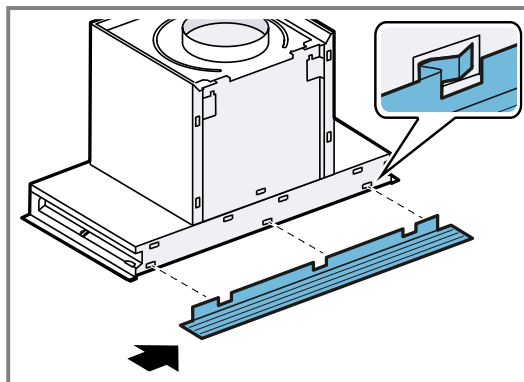
Preparing the appliance

1. Cover the hob to prevent damage.
2. Place the appliance on a soft surface.
3. Open the glass flap and remove the grease filters.
4. Close the glass flap.
5. **Note:** Measure the installation depth from the wall to the end of the cabinet without the door. Measure the installation depth and, if necessary, cut the wall finishing strips to size.



Note

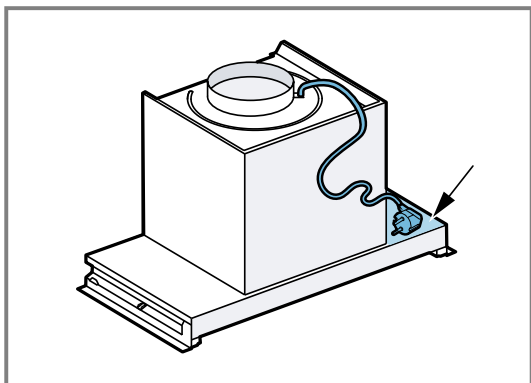
Avoid damaging sensitive surfaces when installing the appliance.
Mount the lower finishing strip to the appliance from left to right.



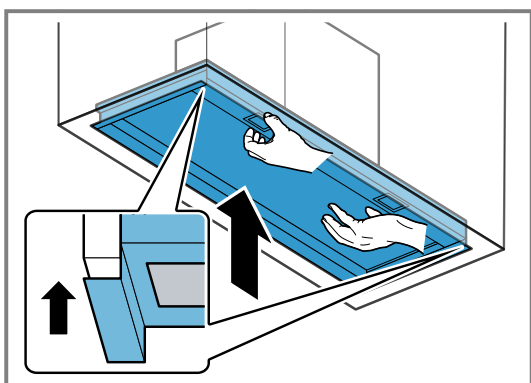
Installing the appliance

Requirement: Two people are required to install the appliance.

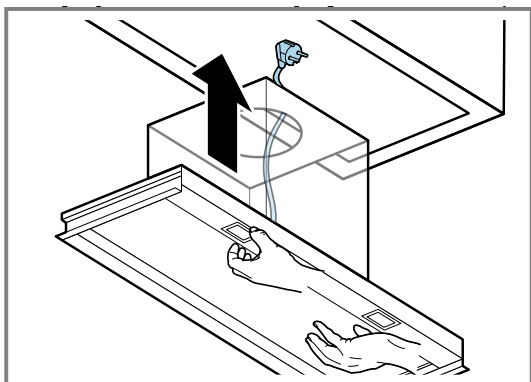
1. Place the mains plug to the side of the appliance.



2. One person lifts the appliance into the cabinet from below so that it is flush with the left and right sides.
 ▶ The appliance must be held until it is screwed tight into the cabinet.



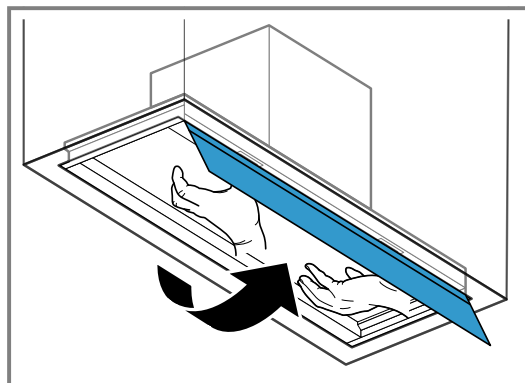
3. Guide the mains plug through the cut-out.



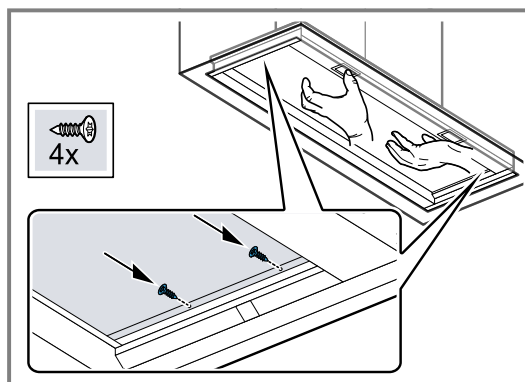
4. Fit the ducting.

5. **Note:** There may be a glass flap depending on the appliance type. If there is no glass flap present, continue with the next step.

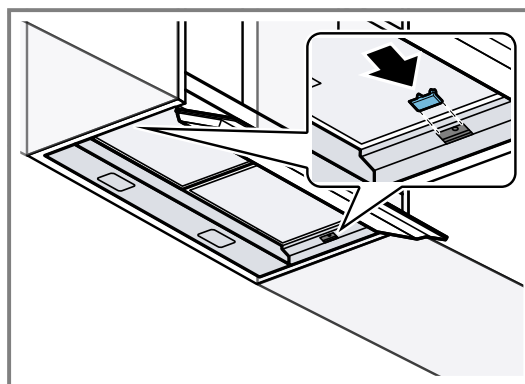
Carefully open the glass flap.



6. Screw in the appliance on the left and right using two screws on each side.



7. Insert the covers.



8. Remove the protective film from the grease filters and insert the grease filters into the appliance.

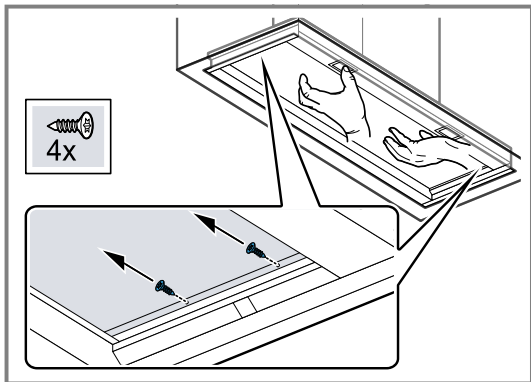
Removing the appliance

Requirement: Two people are required to remove the appliance.

1. Cover the hob to prevent damage.
2. **Note:** There may be a glass flap depending on the appliance type. If there is no glass flap present, continue with the next step.
Open the glass flap.
3. Remove the grease filters.

en Installation instructions

4. One person holds the appliance while the other loosens the screws.



5. Carefully remove the appliance.

Valid within Great Britain:
Imported to Great Britain by
BSH Home Appliances Ltd.
Grand Union House
Old Wolverton Road
Wolverton, Milton Keynes
MK12 5PT
United Kingdom



Register your product online
neff-home.com



BSH Hausgeräte GmbH
Carl-Wery-Straße 34
81739 München, GERMANY

9002002921 (060330)
en

