



DGX3523S

EN User Manual | Cooker Hood



Welcome to AEG! Thank you for choosing our appliance.



In our drive to be sustainable, we are reducing paper assets and provide full user manuals online. Access your full user manual at aeg.com/manuals



Get usage advice, brochures, trouble shooter, service and repair information at aeg.com/support

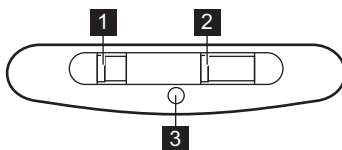
1. SAFETY INFORMATION AND INSTALLATION

WARNING!

Refer to the separate Installation Instructions booklet for Safety Information and Installation. Read carefully the Safety chapters before any use or maintenance of the appliance.

2. PRODUCT DESCRIPTION

2.1 Control panel overview



1 **Light switch** - Turns the lights on and off.

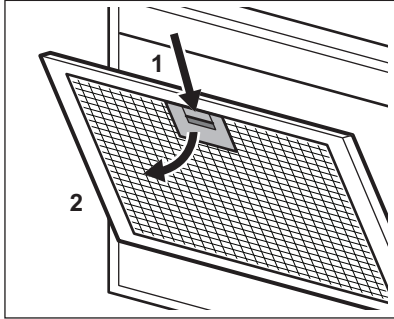
2 **Fan speed switch** - To switch between fan speed level. Move the fan speed switch to one of the speed levels. The hood starts to operate. If needed, change the speed by moving the switch. To turn off the appliance move the fan speed switch to the 0 position.

3 **Indicator** - Indicates if the hood operates.

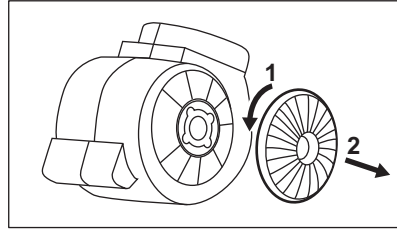
Care and cleaning

Removal of grease filter

Removal of charcoal filter - optional



Remove grease filter first.



1.

To install filters, perform steps in reverse order.


Clean the appliance and grease filters each month. Grease filters can be washed in a dishwasher. The time of saturation of the charcoal filter varies depending on the type of cooking and the regularity of cleaning the grease filter. Refer to leaflet included in the accessory. The activated charcoal filter is not washable, cannot be regenerated and must be replaced approximately every 4/6 months of operation, or more frequently for particularly heavy usage.

Replacing the lamp

WARNING!

Risk of burns and electric shock! Disconnect the appliance from the electricity before the operation! Make sure that the light bulb has cooled down before touching it.


Replace the burnt light bulb in accordance with the specifications:


	ILCOS D Code (according IEC 61231)	Power (W)	Socket	Voltage (V)	Dimensions (mm)
	DRBB/ F-4-220-240- E14-37/100	4	E14	220 - 240	37 x 100 (diameter x length)

To replace the lamp:

1. The lamp cover has two slots on each side. Use a flat non sharp plastic tool. Gently remove the lamp cover from the appliance. 2. Replace the lamp. 3. Mount the lamp cover.

3. ENVIRONMENTAL CONCERNS

Recycle materials with the symbol . Put the packaging in relevant containers to recycle it. Help protect the environment and human health by recycling waste of electrical and electronic appliances. Do not dispose of

appliances marked with the symbol  with the household waste. Return the product to your local recycling facility or contact your municipal office.

aeg.com

867382557-A-012024



UK
CA CE