

# USER MANUAL

## **FREEZER**



## **LANGUAGES**

English.....	3
Italiano .....	13
Français.....	23
Español.....	33
Deutsch .....	43
Português .....	54
Nederlands .....	64
Ελληνικά.....	74
Polskie .....	86
Czech .....	97

## English

Thank you for purchasing this product.

Before using your refrigerator, please carefully read this instruction manual in order to maximize its performance. Store all documentation for subsequent use or for other owners. This product is intended solely for household use or similar applications such as:

- the kitchen area for personnel in shops, offices and other working environments
- on farms, by clientele of hotels, motels and other environments of a residential type
- at bed and breakfasts (B & B)
- for catering services and similar applications not for retail sale.

This appliance must be used only for purposes of storage of food, any other use is considered dangerous and the manufacturer will not be responsible for any omissions. Also, it is recommended that you take note of the warranty conditions.

## SAFETY INFORMATION

Please read the operating and installation instructions carefully!

They contain important information on how to install, use and maintain the appliance.

The manufacturer is not liable if you fail to comply with the instructions and warnings.

Retain all documents for subsequent use or for the next owner.

- **Do not connect the appliance to the electricity supply until all packing and transit protectors have been removed. Keep children away from packaging and its parts.**  
**Danger of suffocation from folding cartons and plastic film!**
- **Leave to stand for at least 4 hours before switching on the product, to allow compressor oil to settle if transported horizontally.**
- **Make sure there is no transport damage.**
- **Do not damage the refrigerant circuit.**
- **Maintain the ventilation openings in the appliance enclosure or in the built-in structure, free of obstruction.**
- **Never use water to wash the**

**compressor position, wipe it with a dry cloth thoroughly after cleaning to prevent rust.**

- **Handle the appliance always with at least two persons because it is heavy.**
- **Install and level the appliance in an area suitable for its size and use.**
- **Make sure that the electrical information on the rating plate agrees with the power supply. If it does not, contact an electrician.**
- **The appliance is operated by a 220-240 VAC/50 Hz power supply. Abnormal voltage fluctuation may cause the appliance to fail to start, or damage to the temperature control or compressor, or there may be an abnormal noise when operating. In such case, an automatic regulator shall be mounted.**
- **Only for UK: The appliance's power cable is fitted with 3-cord (grounding) plug that fits a standard 3-cord (grounded) socket. Never cut off or dismount the third pin (grounding). After the appliance is installed, the plug should be accessible.**
- **Make sure that mains cable is not caught under the appliance during and after carrying/moving the appliance, to avoid the mains cable becoming cut or damaged. If the supply cord is damaged, it must be replaced by the manufacturer, its service agent or similarly qualified person in order to avoid a hazard.**
- **Do not install the appliance in humid, oily or dusty places, nor expose it to direct sunlight and to water.**
- **Do not install the appliance near heaters or inflammable materials.**
- **FOR appliances with a freezer compartment: if there is a power failure do not open the lid. Frozen**

food should not be affected if the failure lasts for less than the hours indicated on the rating label (Temperature rise time). If the failure is longer, then the food should be checked and eaten immediately or cooked and then refrozen.

- If you find that the lid of the appliance is difficult to open just after you have closed it, don't worry. This is due to the pressure difference which will equalize and allow the lid to be opened normally after a few minutes.
- Do not store medicines, bacteria or chemical agents in the appliance. This appliance is a household appliance, it is not recommended to store materials that require strict temperatures.
- Do not excessively pull or fold the power cord or touch the plug with wet hands.
- Do not store products which contain flammable propellant (e.g. spray cans) or explosive substances in the appliance. Risk of explosion!
- Do not place unstable articles (heavy objects, containers filled with water) on top of the refrigerator, to avoid personal injury caused by falling or electric shock caused by contact with water.
- Do not use electrical appliances inside the food storage compartments, unless they are of the type recommended by the manufacturer.
- Do not touch internal cooling elements, especially with wet hands, to avoid cracks or

injuries.

- At risk here are children, people who have limited physical, mental or sensory abilities, as well as people who have inadequate knowledge concerning safe operation of the appliance.
- Check that children and vulnerable people have understood the hazards. A person responsible for safety must supervise or instruct children and vulnerable people who are using the appliance. Only children aged 8 years and above may use the appliance.
- Children should not play with the appliance.
- Children aged from 3 to 8 years are allowed to load and unload this appliance.
- FOR appliances with a freezer compartment: do not store bottled or canned liquids (especially carbonated drinks) in the freezer compartment. Bottles and cans may burst!
- FOR appliances with a freezer compartment: never put frozen food straight from the freezer compartment in your mouth. Risk of low-temperature burns!
- Keep plastic parts and the door seal free of oil and grease. Otherwise, plastic parts and the door seal will become porous.
- Before performing any operation, unplug the power cord from the power socket.
- Do not use mechanical devices or other means to accelerate the defrosting process, other than those recommended by the manufacturer.
- Do not use pointed or sharp-edged objects such as knives or forks to remove the frost.
- Never use hairdryers, electrical

heaters or other such electrical appliances for defrosting.

- It is recommended to keep the plug clean, any excessive dust residues on the plug can be the cause fire.
- Do not try to repair, disassemble or modify the appliance by yourself. In case of repair please contact always our customer service.
- Supervise children while the appliance is being cleaned or maintained.
- Do not clean the cold glass shelves with hot water. Sudden temperature change may cause the glass to break.
- **WARNING:** The tubes of the refrigeration circuit convey a small quantity of an environmentally friendly but flammable refrigerant (R600a) and insulating gas (cyclopentane). It does not damage the ozone layer and does not increase the greenhouse effect. If refrigerant escapes, it may injure your eyes or ignite.
- If the refrigerant circuit should be damaged:
  - Switch off the appliance and pull out the mains plug,
  - Keep naked flames and/or ignition sources away from the appliance,
  - Thoroughly ventilate the room for several minutes,
  - Inform customer service.
- **WARNING:** Do not damage the plug and/or the power cord; this could cause electrical shocks or fires.
- **WARNING:** Do not use multiple

portable socket-outlets or portable power supplies. We do not recommend the use of extension leads and multi-way adapters.

- Do not attempt to sit or stand on the top of the appliance. You could injure yourself or damage it. This appliance is not designed for stacking with any other ones.
- The product is designed and built for domestic household use only.
- Only original parts supplied by the manufacturer may be used. The manufacturer guarantees that only these parts satisfy the safety requirements.
- Opening the door for long periods can cause a significant increase of the temperature in the compartments of the appliance.
  - Clean regularly surfaces that can come in contact with food and accessible drainage systems.
  - Clean water tanks if they have not been used for 48h; flush the water system connected to a water supply if water has not been drawn for 5 days.
  - Store raw meat and fish in suitable containers in the refrigerator, so that it is not in contact with or drip onto other food.
  - Two-star frozen-food compartments(if they are presented in the appliance) are suitable for storing pre-frozen food, storing or making ice-cream and making ice cubes.
  - One-, two- and three -star compartments, if present in the appliance, are not suitable for the freezing of fresh food.
  - If the appliance is left empty for long periods, switch off, defrost, clean, dry and leave the door open to prevent mould developing within the

appliance.

- **FOR Wine Coolers: this appliance is intended to be used exclusively for the storage of wine**
- **FOR a free standing appliance: this refrigerating appliance is not intended to be used as a built-in appliance**
- **FOR appliances without a 4-star compartment: this refrigerating appliance is not suitable for freezing foodstuffs**

### Scrapping old appliances



This appliance is marked according to the European directive 2012/19/EU on Waste Electrical and Electronic Equipment (WEEE).

WEEE contains both polluting substances (which can cause negative consequences for the environment) and basic components (which can be re-used). It is important to have WEEE subjected to specific treatments, in order to remove and dispose properly all pollutants, and recover and recycle all materials.

Individuals can play an important role in ensuring that WEEE does not become an environmental issue; it is essential to follow some basic rules:

- WEEE should not be treated as household waste;
- WEEE should be handed over to the relevant collection points managed by the municipality or by registered companies. In many countries, for large WEEE, home collection could be present.

In many countries, when you buy a new appliance, the old one may be returned to the retailer who has to collect it free of charge on a one-to-one basis, as long as the equipment is of equivalent type and has the same functions as the supplied equipment.

### Conformity

By placing the **CE** mark on this product, we are confirming compliance to all relevant European safety, health and environmental requirements which are applicable in legislation for this product.

### Guarantee

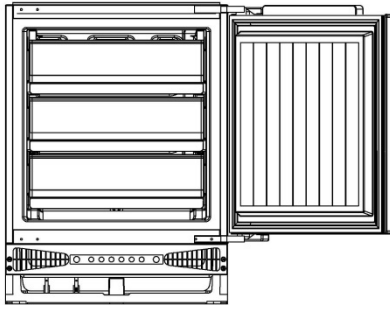
Minimum guarantee is: 2 years for EU Countries, 3 years for Turkey, 1 year for UK, 1 year for Russia, 3 years for Sweden, 2 years for Serbia, 5 years for Norway, 1 year for Morocco, 6 months for Algeria, Tunisia no legal warranty required.

### Energy Saving

For better energy saving we suggest :

- Installing the appliance away from heat sources and not exposed to direct sunlight and in a well ventilated room.
- Avoid putting hot food into the refrigerator to avoid increasing the internal temperature and therefore causing continuous functionalizing of the compressor.
- Do not excessively stuff foods so as to ensure proper air circulation.
- Defrost the appliance in case there is ice to facilitate the transfer of cold.
- In case of absence of electrical energy, it is advisable to keep the refrigerator door closed.
- Open or keep the doors of the appliance open as little as possible
- Avoid adjusting the setting to temperatures too cold.
- Remove dust present on the rear of the appliance

## DESCRIPTION OF THE APPLIANCE



### NOTE:

Image is for reference only and may differ from your product. The most energy-saving configuration requires drawers, food box and shelves to be positioned in the product, please refer to the above pictures

### USING YOUR FREEZER

#### Before switching on

- o Make sure that it has been installed by a suitably qualified person, as per the information contained in installation instructions.
- o After delivery, wait for eight hours before connecting the appliance to your mains supply. This will allow any refrigerant gasses that may have been disturbed during the transportation process to settle.
- o The outside of the appliance and the removable accessories contained within it, should be cleaned with a solution of liquid detergent and water.
- o The interior of the appliance should be cleaned with a solution of sodium bicarbonate dissolved in lukewarm water. The interior and accessories should be thoroughly dried, after the cleaning process has been completed.
- o There can be an odour when you first switch on the appliance. It will lessen as the appliance starts to cool.

#### During first use

- o You should set the thermostat dial to its maximum setting for 24 hours after switching on the appliance for the first time.
- o When you first switch on the appliance, the compressor will run continuously for approximately 24 hours or until the fridge freezer reaches a cool enough temperature.
- o During this period of time, you should try not to open the door frequently or place a large amount of food within the appliance.
- o You should then adjust the thermostat dial down to its normal operating position.
- o If the unit is switched off or unplugged, you must allow at least 5 minutes before restarting the appliance on the thermostat or connecting it to your mains supply.

#### Starting the refrigerator

There are total 6 temperature settings for the refrigerator. After connecting to the power supply, the refrigerator will be set on setting 3, which is the default setting.

- o Button “⏻”: Located on the right side, functioned as switching on/off the refrigerator by pressing 3s.
- o Button “🌡️”: located on the left side, functioned as adjusting the temperature settings for the refrigerator



## Adjusting the temperature:

The temperature inside the refrigerator is adjusted by pressing the left “🌡️” button. By pressing the button, the settings 1 to 5 represent different temperatures from the highest to the lowest.

“★” indicate super freezing function. By pressing the “🌡️” button continuously, and select the super freezing function. When activated, the SF symbol will illuminate. The SF period will last 24 hours, then it will automatically turn off, and the previous thermostat setting will be restored.

Position	Conditions
1-2	Summer or ambient temperature between 25-35 °C
3-4	Spring, autumn or ambient temperature between 15-25 °C
4-5	Winter, or ambient temperature between 5-15 °C
Super freezing function	Quick freeze

**Caution: Some time will be required for the refrigerator to reach the set level when temperature adjustments are made. The length of this period is determined by difference in the existing and set temperatures, the ambient temperature, the frequency with which the door is opened and closed and the amount of food in storage.**

### THE FREEZER COMPARTMENT

- o The freezer compartment temperature must have already reached -18 degrees centigrade (or lower) before you attempt to store food that is already frozen or freezing fresh food.
- o The freezer compartment is only able to freeze a certain quantity of food at one time. You should not attempt to freeze more than 4.5 kilograms of fresh food within a 24 hour period.
- o Warm food should be allowed to cool down before you attempt to freeze it. If you place warm food in the freezer, then the increased humidity will cause quicker ice formation and increase the amount of power that the appliance uses.
- o The guidance of the food manufacturer should be followed, in regard to the maximum storage time.
- o Thawed foods must not be frozen for a second time.
- o Do not open the freezer door too often or leave the door open for long periods of time, as this will increase the temperature inside of the appliance and will increase the energy usage.

Position different food in different compartments according to be below table

Refrigerator compartment	Type of food
Freezer drawer(s)/tray	<ul style="list-style-type: none"> <li>• Foods for long-term storage</li> <li>• Bottom drawer for raw meet, poultry, fish</li> <li>• Middle drawer for frozen vegetables, chips.</li> <li>• Top tray for ice cream, frozen fruit, frozen baked goods.</li> </ul>

### Tips on freezing

- o Freezer bags, polythene wraps, aluminium foil (extra thick) and special cans for frozen foods are suitable packaging for storing frozen goods in.
- o Tape, rubber bands or plastic clips are suitable for sealing bags and wrappings.
- o Before sealing a suitable bag, you should compress the air out of it, as this will help the food to freeze more easily.
- o Flat packages freeze more easily.

- o If you are freezing liquid, then do not fill the container to the brim. Liquids will expand when being frozen.
- o For frozen food, refer to the storage time written on the food packaging. This storage time is achieved whenever the setting respects the reference temperatures of the compartment (one-star -6°C, two stars -12°C, three stars -18°

**Do not place bottles (glass or tin) containing liquids (especially sparkling liquids) into the freezer as they could cause the bottle to burst during freezing.**

#### Making ice cubes

- o Fill the ice cube tray with water and place it in the freezer compartment.
- o After the water is completely frozen and turned to ice, you can twist the ice cube tray (as shown in the drawing below) to dispense the ice.

#### SAVING ENERGY WHEN USING YOUR FREEZER

##### Installing:

- o Install the appliance in a cool position. If it is placed in direct sunlight or next to an oven or other heat source, the energy consumption can increase substantially.
- o Ensure the appliance is installed with the correct ventilation requirements. Restricting ventilation can increase the energy consumption by 15%.

##### Cleaning and Maintenance:

- o Occasionally clean the condenser coils (if present) at the back of the appliance to maintain a high performance level.
- o Defrost the appliance regularly. A build up of thick ice decreases the efficiency of the appliance. You should defrost whenever the frost reaches 5 mm thickness.
- o Clean the door gasket with warm water or a neutral detergent that leaves no residue. A tight-sealing door gasket is critical to the efficiency of your appliance.

##### Usage:

- o Do not open the door repeatedly or more frequently than you have to.
- o Do not set the thermostat too low. A change of just one degree can affect the energy consumption by 5%. Use a thermometer to check the temperature.
- o The freezer should operate at -15 to -18 degrees Celsius.
- o Allow food to sufficiently cool before putting it in the appliance (but don't let it sit at room temperature for too long).
- o In the freezer, food packages should be scattered and never grouped or stacked together until they are completely frozen.
- o If you are going away for a long period of time, turn off the appliance, empty and clean it and leave the door ajar.
- o If you have a second appliance that is not used, make sure that it is stored with the power off and the door left ajar until it is actually required.
- o

##### Disposing:

- o If you're going to throw out your old fridge, see if there's a chlorofluorocarbons (CFCs) recycler in your area. The government department which looks after the environment in your area may be able to help you.

#### CLEANING AND MAINTENANCE

**WARNING: PLEASE ENSURE THAT YOUR APPLIANCE IS DISCONNECTED FROM YOUR MAINS SUPPLY BEFORE ATTEMPTING TO CLEAN IT.**

- o Do not clean the appliance by pouring water onto it or spraying water over it.
- o The freezer should be cleaned periodically, using a solution of bicarbonate of soda and lukewarm water.
- o Clean the accessories separately with soap and water. Do not clean them in a dishwasher.
- o Do not use abrasive products, detergents or soaps.
- o After washing the appliance, wipe over the area that you have cleaned with a damp cloth and then dry it thoroughly.
- o When cleaning is complete, dry your hands and then reconnect the plug to your mains supply.

#### Defrosting the freezer compartment

The frost in the freezer compartment should be removed periodically. You can use a plastic scraper to keep down the amount of frost that builds.

**IMPORTANT: The freezer should be defrosted at least twice a year. The number of times that you need to defrost it, will depend on the setting of your thermostat and how much food you freeze and store in the freezer.**

- o The day before you defrost, turn the thermostat dial to position <5>, this will make sure that the food contained in the freezer is frozen properly.
- o Whilst defrosting the appliance, the food should be removed from the freezer and wrapped in several layers of paper and stored in a cool place. The foods rise in temperature will shorten its storage life and therefore the food should be used within a relatively short period of time.

**DO NOT PLACE FOOD BACK IN THE FREEZER ONCE IT HAS STARTED TO THAW.**

- o Set the thermostat knob to position <0> and disconnect the appliance from your mains supply.
- o Leave the door to the freezer open. You can place a bowl of warm water inside the freezer to speed up the defrost process.
- o You can use a sponge to mop up the defrost water that will run into the bottom of the freezer.

**IMPORTANT: You should place some old towels on the flooring that is immediately in front of the appliance. In case any defrost water comes out of the freezer and onto the floor.**

- o Once all the ice that has built up has melted, then the inside of the freezer should be dried thoroughly. Failure to do this will result in immediate ice build when the appliance is switched back on.
- o With dry hands, reconnect your appliance to your mains supply. Set the thermostat knob to position <5> for a 24 hour period, before returning it to the normal setting of <3>.
- o You should not attempt to freeze fresh food inside the freezer until this 24 hour time period has elapsed.

**Do not defrost the appliance with other electrical devices (e.g. hair dryer). Do not use sharp metal objects to remove the ice on the freezer, as this could cause damage to the refrigerant system.**

#### INSTALLATION

**IMPORTANT: Before installation and usage read all the instructions and make sure that the voltage (V) and the frequency (Hz) indicated on the rating plate are exactly the same as the voltage and frequency in your home. The rating plate can be found on the front left edge of the**

**inside of the refrigerator.**



The manufacturer declines all responsibility in the event of the installer failing to observe all the accident prevention regulations in force, which are necessary for normal use and the regular operation of the electric system.

### Electrical connection

#### YOUR FREEZER IS INTENDED FOR FITTED AND PERMANENT INSTALLATION.

We recommend that the appliance is connected by a qualified electrician, who is a member of the N.I.C.E.I.C. and who will comply with the I.E.E. and local regulations.

- o Your freezer comes supplied with a 13 amp plug fitted. In future you need to change the fuse in this plug, then a 13 amp ASTA approved (BS 1362) fuse **must** be used.
- o The wiring in the mains lead is coloured as follows:

**Brown** Live

**Blue** Neutral

**Green and yellow** Earth

- o As the colours of the wires in the appliance's mains lead may not correspond with the coloured markings identifying the terminals in your spur box, please proceed as follows:

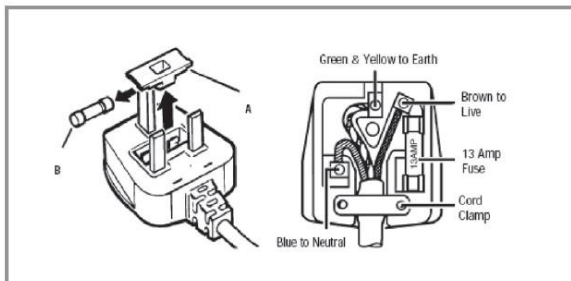
The **brown wire** must be connected to the terminal marked "L" (live), or coloured **red**.

The **blue wire** must be connected to the terminal marked "N" (neutral), or coloured **black**.

The **green and yellow wire** must be connected to the terminal marked "E"

(earth), or by the earth symbol, or coloured **green and yellow**.

- o When the connection is completed, no stray strands or cut wire should be present. The cord clamp must be secured over the outer sheath.



### Positioning

- o It is advisable that your appliance is only installed in a location where the ambient temperature of the room, corresponds with the climate classification that is stated on the rating plate of your appliance. Your appliance may not function correctly if the ambient temperature falls outside of the following ranges.

- Extended temperate (SN): 'this refrigerating appliance is intended to be used at ambient temperatures ranging from 10 °C to 32 °C'
- Temperate (N): 'this refrigerating appliance is intended to be used at ambient temperatures ranging from 16 °C to 32 °C'
- Subtropical (ST): 'this refrigerating appliance is intended to be used at ambient temperatures ranging from 16 °C to 38 °C'
- Tropical (T): 'this refrigerating appliance is intended to be used at ambient temperatures ranging from 16 °C to 43 °C'

- o Your appliance should not be located in direct sunlight or exposed to continuous heat or extremes of temperature (e.g. next to a radiator or boiler).

- o The door should be able to open completely and freely.

- o The appliance should be situated so you can easily access the food that is stored in it.
- o You should check whether there is an electrical socket available, which will be accessible after your appliance is installed.

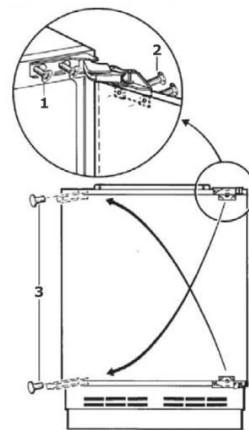
### Reversing the door of your appliance

This procedure **MUST** be completed before the furniture door is attached. Any parts that you remove from the appliance whilst reversing the door, should be retained for later use.

**WARNING - Take care when opening the hinges, they are sprung loaded and there is the risk of injury if they close on your hand.**

Tools required:

- o Phillips screwdriver
- o Flat bladed screwdriver



- o Slacken the retaining screws (1) on the appliance and then carefully remove the appliance door.
- o Place the appliance door on a cushioned surface, so that it does not get damaged.
- o Lever off the cover caps (3).
- o Insert the retaining screws (1) into the opposite side of the appliance from their original position. These screws should be partially tightened but not fully tightened.
- o Remove the door retaining screws (2) and then reverse the position of the top and bottom hinge (as shown in the above diagram).
- o Reattach the appliance door and then fully re-tighten the retaining screws (1) and the door retaining screws (2).
- o Insert the cover caps (3) into the holes that are now exposed on the right hand side of the cabinet.

**IMPORTANT: Check that the door opens and shuts correctly, without fouling, after you have completed the door reversal process.**

**After the door has been reversed, you should check the door seal of the appliance. The seal should not be creased or crushed; otherwise there will be a gap between it and the inside of the door.**

- o The seal must adhere properly all the way around the door.
- o If the seal is not adhering to the cabinet properly, then you should either:
  1. Use a warm damp cloth and manipulate the seal until it does adhere to the cabinet properly, all the way around the door.

Or

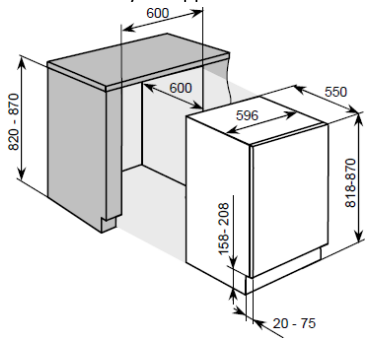
2. Use a hair dryer on its lowest heat setting and lightly heat the areas of the door seal that are not adhering correctly. The heat will make the seal more pliable and this will allow you to manipulate the seal into the correct position.

**IMPORTANT: DO NOT HEAT THE DOOR SEAL ON ANYTHING BUT THE LOWEST HEAT SETTING, OR HEAT THE SEAL FOR A LONG PERIOD OF TIME. OTHERWISE**

**DAMAGE MAY BE CAUSED TO THE DOOR SEAL, WHICH WOULD NOT BE RECTIFIED UNDER THE GUARANTEE FREE OF CHARGE.**

### Aperture dimensions

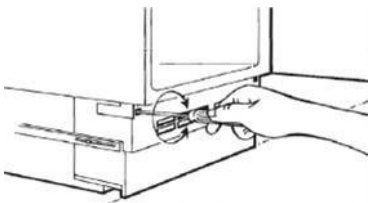
The diagram below shows the aperture size that you will need to be able to install your appliance.



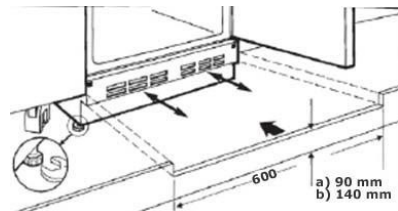
o The appliance must be stood on a level floor. You can use the levelling feet to take into account any minor unevenness in the floor.

### Adjusting the plinth/kickboard

When the appliance has been placed underneath the worktop, you may decide to attach a plinth or kickboard to match your existing kitchen units.



o Remove the grid on the base of the appliance by unscrewing the screws on each side of the grid and then pull the grid towards you.



o Use a spanner to adjust the height of the adjustable feet.  
o If your aperture has a height of 820 mm, then the adjustable feet should be fully tightened.  
o If your aperture has a height of 870 mm, then the adjustable feet should be set at a height of 50 mm.  
o The appliance should be flush with the underside of the worktop and be level.

**IMPORTANT: If the appliance is not level, then the door and door seal may be affected.**

o A cut out must be made in the plinth/kickboard for ventilation. The cut out should measure 600mm in width, and between 140mm and 90mm in height, depending on the height that you have set your appliance.  
o Insert the plinth/kickboard and then refit the grid in its original position to hold it in place.

**IMPORTANT: Please note that as shown in the above drawing, an appropriately sized ventilation cut out MUST be made in the furniture plinth/kickboard.**

### Fitting the furniture door to the appliance

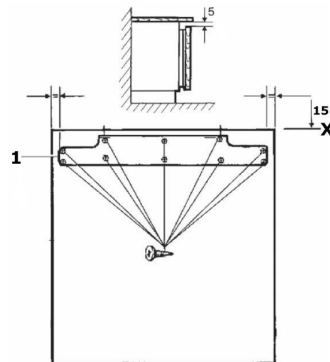
If you need the appliance door to open from the other side, then please reverse the door before commencing the installation process. (See "Reversing the door section").

Tools required:

- o Tape measure
- o Sharp pencil
- o Small flat bladed screwdriver
- o Spanner

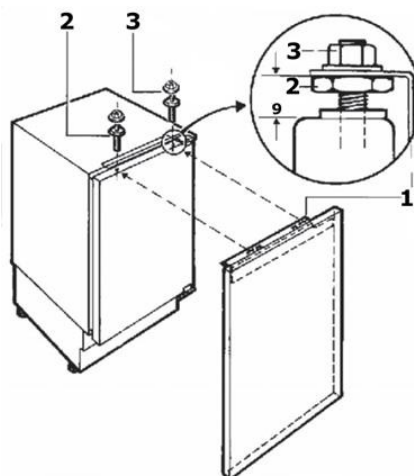
**IMPORTANT: We recommend that two people install this appliance.**

1. Undo the screws from the two adjusting bolts that are located on the top of the appliance door and then remove the mounting bracket (1).

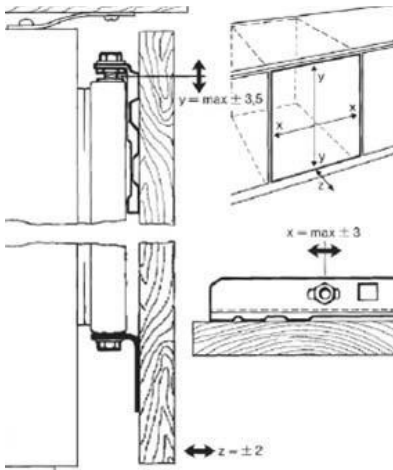


2. Measure the width of the furniture door, at the halfway point mark a line vertically down the inner surface of the furniture door. You should draw the line from the top of the furniture door to approximately halfway down.

- o Place the mounting bracket (1) on the reverse of the furniture door.
- o The middle of the mounting bracket should be positioned on the line that you have just drawn. Please note the position of the mounting bracket in the above drawing, to ensure that you have the mounting bracket the correct way up.
- o The top of the mounting bracket should be positioned approximately 15 mm from the top of the furniture door. This will allow you a 5 mm gap from the top of the furniture door, to the underneath of your worktop.
- o Fix the mounting bracket to the furniture door using the screws provided and a Phillips-head screwdriver. These screws should be fully tightened.

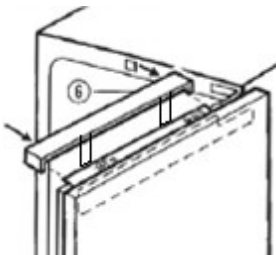


3. Hang the furniture door onto the appliance door, making sure that the brackets on the mounting bracket locate over the adjusting bolts.

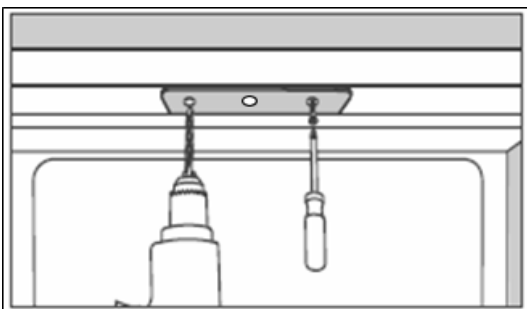


4. Use a screwdriver to adjust the gap on the lower section of the adjusting bolts. The gap should be set to approximately 9 mm (as shown in the above drawing).
5. Fix the lower bracket to the bottom of the furniture door and the underneath of the appliance door (as shown in the drawing on the previous page).

o It is possible to make minor adjustments to the position of the furniture door using the screws on the top and the bottom of the appliance door. You should make these adjustments so that the furniture door is level.



6. Insert the cover plate to the top of the appliance, this will just clip into place.



7. Open the appliance door.

o Use a suitably sized drill bit to drill through the holes in the bracket, into the work top.

**IMPORTANT: The drill bit should be appropriate for the material that your work top is made from.**

o Secure the bracket to the underside of the worktop, using the screws provided.

**IMPORTANT: These screws should be fully tightened.**

- o If the appliance is being installed under a granite worktop, use the L shaped brackets provided to secure the fridge to the side of the cabinet. Use a suitably sized drill bit to drill through the three holes in the bracket into the cabinet side on the opposite side to the hinges.
- o The oval holes rest over the hinge positions which are not being used on the front of the appliance. Use two screws to secure the bracket to the front of the appliance.
- o Check that the door opens and shuts without snagging, as well as checking that the door is sealing correctly.

#### TROUBLESHOOTING

**IMPORTANT: If your freezer appears not to be operating properly, before contacting the Customer Care Department, please refer to the checklist below.**

**My freezer does not appear to be working/there is no power to my appliance.**

- o Check that the plug is fully inserted into the power socket.
- o Check that there is power to your mains supply (e.g. that there hasn't been a power cut or that the fuse hasn't blown).
- o Check that the thermostat inside the appliance has not been turned to the <0> position.
- o Check that your mains supply voltage, corresponds to the voltage stated on the rating plate of your appliance.

**My freezer appears to be performing poorly**

- o Check that the appliance isn't overloaded and that food hasn't been packed too tightly into it.
- o The thermostat setting is too low; you should turn the thermostat up higher.
- o Ensure that the door is closing properly and that the door has not been opened for a prolonged period in error.
- o Ensure that there is adequate ventilation for your appliance.

**My freezer is noisy**

- o The refrigerant gas that circulates the pipework of the appliance may make a slight noise, even if the compressor is not running.
- o If the noise worsens or the appliance gets louder than normal; check that it is levelled off correctly, that nothing is touching the rear of the fridge and that nothing placed inside the appliance is rattling.

**Ice has quickly formed on the inner back wall of my freezer**

- o Check that food has not been pushed too far back inside the appliance, so that it is in contact with the inner back wall.

**DO NOT ATTEMPT TO REPAIR THE APPLIANCE YOURSELF.**

Please note that if an engineer is asked to attend whilst the product is under guarantee and finds that the problem is not the result of an appliance fault, then you may be liable for the cost of the call out charge.

**The appliance must be accessible for the engineer to perform any necessary repair. If your appliance is installed in such a way that an engineer is concerned that damage will be caused to the appliance or your kitchen, then they will not complete a repair.**

**This includes situations where appliances have been tiled in, sealed in with sealant, have wooden obstructions placed in front of the appliance, like plinths. Or any installation other than the one specified by Baumatic Ltd. has been completed.**

Please refer to the conditions of guarantee that appear on the warranty card that you receive with the appliance.

**AVAILABILITY OF SPARE PARTS**

Thermostats, temperature sensors, printed circuit boards and light sources are available for a minimum period of seven years after placing the last unit of the model on the market.

Door handles, door hinges, trays and baskets for a minimum period of seven years and door gaskets for a minimum period of 10 year, after placing the last unit of the model on the market

**TECHNICAL ASSISTANCE**

To contact the technical assistance, visit our website:

<https://corporate.haier-europe.com/en/>

Under the section "website", choose the brand of your product and your country. You will be redirected to the specific website where you can find the telephone number and form to contact the technical assistance

For further information about the product, please consult

<https://eprel.ec.europa.eu/> or scan the QR on the energy label supplied with the appliance

## Italiano

Vi ringraziamo per aver scelto questo nostro prodotto.

Prima di utilizzare il frigorifero, leggere il presente manuale di istruzioni per massimizzare le prestazioni del prodotto. Riporre tutta la documentazione per utilizzo futuro o per i successivi proprietari. Questo apparecchio è destinato unicamente in ambiente domestico o per applicazioni simili quali:

- La zona cucina destinata al personale di negozi, uffici e altri ambienti lavorativi
- Di beauty farm, alla clientela di hotel, motel e altri ambienti di tipo residenziale
- Nei Bed&Breafast (B&B)
- Per servizi di catering ed applicazioni simili esclusa la vendita al dettaglio.

Questo elettrodomestico deve essere utilizzato unicamente per la conservazione degli alimenti; qualsiasi altro uso è considerato pericoloso e il produttore non è ritenuto responsabile per eventuali omissioni. Si consiglia anche di leggere con attenzione le condizioni di garanzia.

## INFORMAZIONI DI SICUREZZA

Leggere attentamente le istruzioni per l'uso e l'installazione. Le istruzioni contengono informazioni importanti relative all'installazione, all'uso e alla manutenzione dell'elettrodomestico. Il produttore non è responsabile del mancato rispetto delle istruzioni e delle avvertenze. Conservare tutta la documentazione per future consultazioni o per i proprietari successivi.

- **Collegare l'elettrodomestico all'alimentazione elettrica solo dopo aver rimosso l'imballo e le protezioni per il trasporto. Tenere lontani i bambini dall'imballo e dai relativi componenti. I cartoni pieghevoli e la pellicola di plastica potrebbero causare il soffocamento.**
- **Lasciare riposare per almeno 4 ore prima dell'accensione per consentire all'olio del compressore di depositarsi se trasportato orizzontalmente**
- **Al momento della consegna, verificare che il prodotto non sia danneggiato e che tutte le parti e gli accessori siano in perfette condizioni**
- **Non danneggiare il circuito del refrigerante**
- **Mantenere libere da qualsiasi ostruzione le aperture di**

**ventilazione nel luogo in cui si trova l'elettrodomestico o nella struttura nella quale è incassato**

- **Non usare mai acqua per lavare la zona del compressore, pulire accuratamente con un panno asciutto dopo la pulizia per evitare la formazione di ruggine**
- **L'elettrodomestico deve essere maneggiato sempre da almeno due persone perché è pesante.**
- **Installare l'elettrodomestico a livello in un'area adatta alle dimensioni e all'uso.**
- **Accertarsi che i dati elettrici sulla targhetta siano conformi all'alimentazione elettrica. In caso contrario, rivolgersi a un elettricista.**
- **L'elettrodomestico funziona con corrente elettrica 220-240 Vca / 50 Hz. Oscillazioni anomale della tensione possono causare il mancato avvio dell'elettrodomestico, danni al controllo della temperatura o al compressore oppure rumori anomali durante il funzionamento. In tal caso, è opportuno montare un regolatore automatico.**
- **Solo per il Regno Unito: il cavo di alimentazione dell'elettrodomestico è dotato di una spina a 3 conduttori (collegata a terra) adatta a una presa standard a 3 conduttori (collegata a terra). Non tagliare né smontare mai il terzo conduttore (collegamento a terra). Dopo l'installazione dell'elettrodomestico, la spina deve essere accessibile.**
- **Accertarsi che il cavo di rete non sia impigliato sotto l'elettrodomestico durante e dopo il trasporto/spostamento, per evitare che il cavo di rete venga tagliato o danneggiato. Se il cavo di alimentazione dell'**

elettrodomestico dovesse essere danneggiato, farlo sostituire dal produttore, dal suo servizio tecnico o da un tecnico qualificato, per evitare rischi

- Non montare l'elettrodomestico in ambienti polverosi, in presenza di olio o umidità, non esporlo alla luce solare diretta e all'acqua
- Non montare l'elettrodomestico vicino a stufe o materiali infiammabili
- PER gli elettrodomestici dotati di vano congelatore, non aprire il coperchio in caso di interruzione della corrente. Gli alimenti surgelati non dovrebbero guastarsi se l'interruzione dell'alimentazione dura meno delle ore indicate sull'etichetta della classificazione (tempo di aumento della temperatura). Se l'interruzione dell'alimentazione dura di più, controllare gli alimenti e consumarli immediatamente o ricongelarli solo dopo averli cotti.
- Se il coperchio dell'elettrodomestico non si riapre facilmente subito dopo che è stato chiuso, non si tratta di un problema, in quanto tale condizione dipende dalla differenza di pressione che si bilancerà entro pochi minuti consentendo nuovamente l'apertura del coperchio.
- Non conservare medicinali, batteri o sostanze chimiche nell'elettrodomestico. Questo elettrodomestico è destinato ad ambienti residenziali, per cui si sconsiglia di conservare

materiali che richiedono temperature rigide.

- Non piegare troppo o tirare il cavo di alimentazione e non toccare la spina con le mani bagnate
- Non conservare nell'elettrodomestico prodotti contenenti propellenti infiammabili (ad es. bombolette spray) o sostanze esplosive. Pericolo di esplosione!
- Non collocare elementi instabili (oggetti pesanti, contenitori pieni d'acqua) sopra il frigorifero, per evitare lesioni personali dovute a cadute o scosse elettriche causate dal contatto con l'acqua.
- Non usare apparecchi elettrici all'interno degli scomparti per la conservazione degli alimenti dell'elettrodomestico, se questi non sono del tipo consigliato dal produttore
- Non toccare gli elementi interni di raffreddamento, specialmente con le mani bagnate, per evitare crepe o lesioni
- Sono a rischio i bambini, le persone affette da limitazione delle capacità fisiche, mentali o sensoriali, nonché le persone che non conoscono perfettamente il funzionamento sicuro dell'elettrodomestico. Accertarsi che i bambini e le persone vulnerabili siano consapevoli dei pericoli. Una persona responsabile della sicurezza deve sorvegliare o istruire i bambini e le persone vulnerabili che adoperano l'elettrodomestico. L'elettrodomestico non deve essere utilizzato da bambini di età inferiore a 8 anni.
- I bambini non devono giocare con l'elettrodomestico

- I bambini dai 3 agli 8 anni possono riempire e svuotare questo elettrodomestico
- PER gli elettrodomestici dotati di vano congelatore: non conservare liquidi in bottiglia o in lattina (specialmente bevande gassate) nel vano congelatore. Le bottiglie e lattine possono scoppiare!
- PER gli elettrodomestici dotati di vano congelatore: non mettere mai in bocca alimenti surgelati subito dopo averli estratti dal vano congelatore. Pericolo di ustioni dovute alla bassa temperatura!
- Accertarsi sempre che i componenti di plastica e la guarnizione dello sportello siano privi di olio e grasso. In caso contrario, i componenti di plastica e la guarnizione dello sportello diventeranno porosi.
- Prima di ogni intervento occorre disinserire l' alimentazione elettrica all' elettrodomestico
- Non usare dispositivi meccanici o altri strumenti artificiali per accelerare il processo di sbrinamento, diversi da quelli consigliati dal produttore
- Non utilizzare oggetti appuntiti o acuminati come coltelli o forchette per rimuovere il ghiaccio. Non utilizzare mai asciugacapelli, riscaldatori elettrici o altri elettrodomestici per lo sbrinamento
- Si consiglia di mantenere pulita la spina: eventuali residui di sporco sulla spina possono provocare incendi
- Non cercare di riparare, smontare o modificare personalmente l'elettrodomestico. Per le riparazioni rivolgersi sempre all'assistenza clienti.
- Sorvegliare i bambini durante la pulizia o la manutenzione dell'elettrodomestico.
- Non pulire i ripiani di vetro freddi con acqua calda. Un'improvvisa variazione della temperatura può causare la rottura del vetro.
- AVVERTENZA: i tubi del circuito di refrigerazione trasportano una lieve quantità di refrigerante ecologico ma infiammabile (R600a) e di gas isolante (ciclopentano). Questi prodotti non danneggiano lo strato di ozono e non aumentano l'effetto serra. Se il refrigerante fuoriesce, può lesionare gli occhi o incendiarsi.
- Se il circuito di refrigerazione è visibilmente danneggiato:
  - Spegnerne l'elettrodomestico e staccare la spina dalla rete elettrica.
  - Tenere lontano fiamme libere e/o fonti di ignizione.
  - Ventilare accuratamente il locale per alcuni minuti.
  - Informare l'assistenza clienti.
- AVVERTENZA: per scongiurare il rischio di incendi o scosse elettriche, non danneggiare la spina e/o il cavo di alimentazione.
- AVVERTENZA: non adoperare prese multiple o alimentatori portatili. Si sconsiglia l'uso di prolunghe e prese multiple.
- Non tentare di sedersi o stare in piedi sulla parte superiore dell'elettrodomestico, per evitare lesioni personali o danni all'elettrodomestico. Questo elettrodomestico non può essere impilato con altri elettrodomestici.

- Il prodotto è progettato e costruito solo per uso domestico
- È possibile utilizzare solo componenti originali forniti dal produttore. Il produttore garantisce che solo questi componenti soddisfano i requisiti di sicurezza.
- L'apertura prolungata della porta può causare un significativo aumento della temperatura nei vani dell'elettrodomestico
- Pulire regolarmente le superfici che possono venire a contatto con gli alimenti e i sistemi di scarico accessibili
- Pulire i serbatoi dell'acqua se non sono stati utilizzati per 48 ore; sciacquare l'impianto idrico collegato alla rete idrica se l'acqua non è stata prelevata per 5 giorni
- Conservare la carne e il pesce crudo in appositi contenitori in frigorifero, in modo che non vengano a contatto con altri alimenti o che non gocciolino su di essi
- Gli scomparti per surgelati a due stelle (se presenti nell'elettrodomestico) sono adatti alla conservazione di alimenti pre-congelati, alla conservazione o alla preparazione di gelati e alla produzione di cubetti di ghiaccio
- Gli scomparti a una, due e tre stelle (se presenti nell'elettrodomestico) non sono adatti al congelamento di alimenti freschi
- Se l'elettrodomestico viene lasciato vuoto per lunghi periodi di tempo, spegnere, sbrinare,

**pulire, asciugare e lasciare la porta aperta per evitare che si formi muffa all'interno**

- **Per i frigoriferi cantina: Apparecchio destinato esclusivamente alla conservazione del vino**
- **Per gli apparecchi a libera installazione: Apparecchio di refrigerazione non destinato ad essere utilizzato come apparecchio da incasso**
- **Per gli apparecchi senza uno scomparto a 4 stelle: Apparecchio di refrigerazione non idoneo al congelamento di alimenti**

#### Smaltimento degli elettrodomestici usati



Questo elettrodomestico dispone di contrassegno ai sensi della direttiva europea 2012/19/UE sui rifiuti di apparecchiature elettriche ed elettroniche (RAEE).

La direttiva RAEE riguarda le sostanze inquinanti (che possono causare conseguenze negative per l'ambiente) e i componenti principali (che possono essere riutilizzati). È importante che i RAEE siano sottoposti a trattamenti specifici in modo da togliere e smaltire in modo corretto gli inquinanti, nonché recuperare e riciclare tutti i materiali.

Spetta ai singoli individui garantire che i RAEE non diventino un problema a livello ambientale. Esistono alcune regole specifiche da rispettare:

- I RAEE non devono essere trattati come rifiuti domestici;
- I RAEE devono essere affidati agli speciali centri di raccolta gestiti dai comuni o da società autorizzate. In molti stati è disponibile anche un servizio di raccolta porta a porta per i RAEE.

In caso di acquisto di nuovi elettrodomestici, quelli vecchi possono essere affidati al venditore che li deve ritirare gratuitamente in numero corrispondente agli elettrodomestici acquistati, a condizione che i singoli elettrodomestici siano di tipo simile e con le stesse funzioni di quelli acquistati.

#### Conformità

Apponendo il marchio **CE** su questo prodotto, confermiamo la conformità a tutti i requisiti di legge europei in materia di sicurezza, salute e tutela ambientale applicabili per legge a questo prodotto.

#### Garanzia

La garanzia minima è: 2 anni per i Paesi UE, 3 anni per la Turchia, 1 anno per il Regno Unito, 1 anno per la Russia, 3 anni per la Svezia, 2 anni per la Serbia, 5 anni per la Norvegia, 1 anno per il Marocco, 6 mesi per l'Algeria, la Tunisia nessuna garanzia legale richiesta.

#### Risparmio energetico

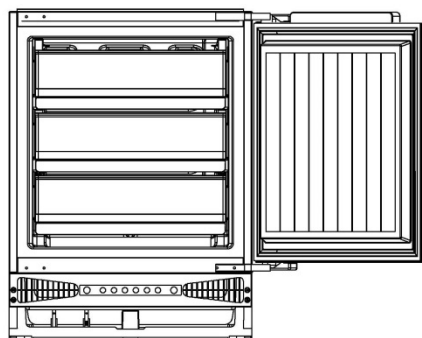
Per un maggiore risparmio di energia si consiglia di procedere come segue:

- Installare l'elettrodomestico lontano da fonti di calore, al riparo dall'irradiazione diretta dei raggi solari e in un ambiente ben ventilato.



- Evitare di conservare alimenti caldi nel frigorifero per evitare di aumentare la temperatura interna, provocando un funzionamento continuo del compressore.
- Non riempirlo eccessivamente in modo tale da garantire una corretta circolazione dell'aria.
- Sbrinare l'elettrodomestico in presenza di ghiaccio per facilitare il trasferimento del freddo.
- In caso di mancanza di energia elettrica, si consiglia di lasciare chiusa la porta del frigorifero.
- Aprire o tenere aperte le porte dell'elettrodomestico il meno possibile.
- Evitare di regolare il termometro a temperature troppo basse.
- Togliere la polvere presente nella parte posteriore dell'elettrodomestico.

## DESCRIZIONE DELL'ELETTRODOMESTICO



### NOTA:

**L'immagine è fornita solo a scopo di riferimento e potrebbe essere diversa dall'aspetto del prodotto.**

**La configurazione che consente il maggiore risparmio energetico richiede il posizionamento di cassetti, vani alimenti e ripiani nel prodotto; fare riferimento alle immagini precedenti.**

## UTILIZZO DEL CONGELATORE

### Prima dell'accensione

- o Accertarsi che l'elettrodomestico sia installato da una persona qualificata secondo le istruzioni fornite con il prodotto.
- o Dopo la consegna, attendere 8 ore prima di collegare l'elettrodomestico alla rete elettrica, allo scopo di stabilizzare il gas refrigerante dopo il trasporto.
- o Pulire la parte esterna dell'elettrodomestico e gli accessori rimovibili con una soluzione di acqua e detergente liquido.
- o Pulire la parte interna dell'elettrodomestico con una soluzione di bicarbonato di sodio sciolto in acqua tiepida. Al termine della pulizia, asciugare perfettamente la parte interna e gli accessori.
- o Alla prima accensione l'elettrodomestico potrebbe emettere un odore che scompare quando l'elettrodomestico comincia a raffreddarsi.

### Primo utilizzo

- o Dopo la prima accensione dell'elettrodomestico, regolare al massimo la manopola del termostato per 24 ore.
- o Quando si accende l'elettrodomestico per la prima volta, il compressore rimane in funzione per circa 24 ore o fino a quando il congelatore raggiunge una temperatura sufficientemente bassa.
- o Durante questo periodo è preferibile non aprire frequentemente lo sportello né collocare grosse quantità di alimenti.
- o Dopo questo periodo, è possibile regolare la manopola del termostato nella posizione normale.
- o Quando l'elettrodomestico viene spento o la spina viene staccata, attendere almeno cinque minuti prima di riaccenderlo o ricollegare la spina.

### Accensione del frigorifero

In totale ci sono 6 impostazioni di temperatura per il frigorifero. Dopo il collegamento all'alimentazione, il frigorifero sarà impostato sull'impostazione 3, che è quella di default.


Tasto "⏻": collocato sul lato destro, serve per accendere e spegnere il frigorifero tenendolo premuto per 3 secondi.


Tasto "⏸": collocato sul lato sinistro, serve per regolare le impostazioni di temperatura del frigorifero.




## Regolazione della temperatura:

Per regolare la temperatura interna del frigorifero, premere il tasto "

 " posto sulla sinistra. Premendo il tasto, le impostazioni da 1 a 5 rappresentano le varie temperature, dalla massima alla minima.

"" indica la funzione di congelamento rapido. Per selezionare la

funzione di congelamento rapido, tenere premuto il tasto "". Quando si attiva, il simbolo SF (Super Freezing) si illumina. Il periodo di congelamento rapido dura 24 ore, dopo di che si disattiva automaticamente, ripristinando l'impostazione precedente del termostato.

Posizione	Condizioni
1-2	Estate o temperatura ambiente compresa tra 25 e 35 °C
3-4	Primavera/autunno o temperatura ambiente compresa tra 15 e 25 °C
4-5	Inverno o temperatura ambiente compresa tra 5 e 15 °C
Funzione super congelamento	Congelamento rapido

**Attenzione! Quando viene regolata la temperatura, il frigorifero raggiunge il livello impostato dopo un po' di tempo. Questo periodo dipende dalla differenza tra la temperatura attuale e quella impostata, dalla temperatura ambiente, dalla frequenza con cui viene aperto e chiuso lo sportello e dalla quantità di alimenti riposti nel frigorifero.**

### Vano congelatore

- o Prima di conservare alimenti freschi o già congelati, attendere che la temperatura del vano congelatore raggiunga -18 °C.
- o Nel vano congelatore è possibile congelare solo determinati quantitativi di alimenti contemporaneamente. Non congelare oltre 4,5 kg di alimenti freschi in un periodo di 24 ore.
- o Lasciare raffreddare gli alimenti caldi prima di congelarli. Se si inseriscono alimenti caldi nel congelatore, l'aumento dell'umidità potrebbe accelerare la formazione di ghiaccio e aumentare i consumi energetici.
- o Attenersi alla guida alla conservazione degli alimenti fornita dal produttore, rispettando i periodi massimi di congelamento.
- o Gli alimenti scongelati non devono essere ricongelati.
- o Non aprire troppo spesso lo sportello del congelatore e non lasciarlo aperto a lungo, altrimenti la temperatura interna aumenta e l'elettrodomestico consuma più energia.

Posizionare diversi alimenti in diversi scomparti secondo la tabella sottostante

Vani frigoriferi	Tipo di alimento
Cassetto/i congelatore/vassoio	<ul style="list-style-type: none"><li>• Alimenti per la conservazione a lungo termine.</li><li>• Cassetto inferiore per carne cruda, pollame, pesce.</li><li>• Cassetto centrale per verdure surgelate, patatine.</li><li>• Vassoio superiore per gelato, frutta surgelata, prodotti da forno surgelati.</li></ul>

### Suggerimenti per il congelamento

- o Per il congelamento degli alimenti è preferibile utilizzare sacchetti per congelatore, pellicole in polietilene, fogli di alluminio (di spessore maggiorato) e contenitori particolari per alimenti congelati.
- o Per sigillare buste e pellicole è possibile utilizzare nastro adesivo, fascette di gomma o clip di plastica.
- o Prima di sigillare i sacchetti, comprimerli per eliminare l'aria interna; in tal modo, gli alimenti si congelano più facilmente.

- o Le confezioni piatte si congelano con maggiore facilità.
- o Per il congelamento dei liquidi, non riempire i contenitori fino al bordo perché il liquido si espande quando si congela.
- o Per gli alimenti surgelati, fare riferimento al tempo di conservazione scritto sulla confezione degli alimenti. Questo tempo di conservazione si ottiene quando l'impostazione rispetta le temperature di riferimento del vano (una stella -6 ° C, due stelle -12 ° C, tre stelle -18 ° C).

**Non inserire nel congelatore bottiglie di vetro o lattine contenenti liquidi (soprattutto bevande frizzanti) che potrebbero scoppiare durante il congelamento.**

### Produzione di cubetti di ghiaccio

- o Riempire il vassoio per i cubetti di ghiaccio e collocarlo nel vano congelatore.
- o Quando l'acqua si congela completamente e diventa ghiaccio, torcere il vassoio per i cubetti di ghiaccio (v. figura seguente) per erogare il ghiaccio.

### RISPARMIO ENERGETICO

#### Installazione:

- o Installare l'elettrodomestico in una posizione fresca. Se l'elettrodomestico è esposto alla luce solare diretta o viene collocato vicino al forno o altre fonti di calore, i consumi energetici aumentano sensibilmente.
- o Accertarsi che l'elettrodomestico sia installato in modo da non ostacolare la ventilazione. Se la ventilazione è scarsa, i consumi energetici possono aumentare del 15%.

#### Pulizia e manutenzione:

- o Per ottimizzare il rendimento, pulire di tanto in tanto le serpentine del condensatore (se presenti) sul retro del frigorifero.
- o Sbrinare regolarmente l'elettrodomestico. L'accumulo di ghiaccio di notevole spessore riduce l'efficienza dell'elettrodomestico. Quando la brina raggiunge lo spessore di 5 mm, è opportuno sbrinare l'elettrodomestico.
- o Pulire la guarnizione dello sportello con acqua calda o un detergente neutro che non lascia residui. La tenuta della guarnizione dello sportello è fondamentale per l'efficienza dell'elettrodomestico.

#### Utilizzo:

- o Non aprire lo sportello più del necessario.
- o Non regolare il termostato su una temperatura troppo bassa. Una variazione di appena 1 °C può aumentare i consumi energetici del 5%. Controllare la temperatura con un termometro.
- o Il congelatore dovrebbe funzionare a una temperatura compresa tra -15 °C e -18 °C.
- o Lasciare raffreddare gli alimenti prima di collocarli nell'elettrodomestico (evitando di lasciarli a temperatura ambiente per troppo tempo).
- o Spargere in maniera omogenea le confezioni degli alimenti nel congelatore, senza impilarle o ammassarle, fino a quando non siano completamente congelate.
- o Se l'elettrodomestico rimarrà inutilizzato per lunghi periodi, spegnerlo, svuotarlo, pulirlo e lasciare lo sportello socchiuso.
- o Avendo un secondo elettrodomestico inutilizzato, spegnerlo e lasciare socchiuso lo sportello.

#### Smaltimento:

- o Per lo smaltimento del vecchio frigorifero, attenersi alle norme locali per il riciclo dei clorofluorocarburi (CFC). Per le istruzioni, rivolgersi agli enti preposti alla tutela dell'ambiente.

### PULIZIE E MANUTENZIONE

#### AVVERTENZA: PRIMA DI PULIRE L'ELETTRODOMESTICO, SCOLLEGARLO DALLA RETE ELETTRICA.

- o Non versare o spruzzare acqua sull'elettrodomestico per pulirlo.
- o Pulire regolarmente il congelatore con una soluzione di bicarbonato di

sodio sciolto in acqua tiepida.

- o Pulire gli accessori separatamente con acqua e sapone. Non lavare gli accessori in lavastoviglie.
- o Non adoperare prodotti, saponi o detersivi abrasivi.
- o Dopo il lavaggio dell'elettrodomestico, strofinare la zona pulita con un panno morbido e asciugarla perfettamente.
- o Al termine della pulizia, asciugare le mani e ricollegare la spina alla rete elettrica.

#### Sbrinamento del vano congelatore

Rimuovere periodicamente la brina dal vano congelatore.

Adoperare il raschietto in plastica per ridurre la quantità di brina accumulata.

**IMPORTANTE:** sbrinare il congelatore almeno due volte all'anno. La frequenza dipende dall'impostazione del termostato e dalla quantità di alimenti conservati nel congelatore.

- o Il giorno prima di sbrinare l'elettrodomestico, ruotare la manopola del termostato nella posizione <5> per accertarsi che gli alimenti riposti nel congelatore siano completamente congelati.
- o Per sbrinare l'elettrodomestico, togliere gli alimenti dal congelatore, avvolgerli in vari strati di carta e collocarli in un luogo fresco. L'aumento della temperatura degli alimenti ne riduce i tempi di conservazione, per cui è opportuno consumarli entro un periodo di tempo relativamente breve

#### NON RICOLLOCARE GLI ALIMENTI NEL CONGELATORE DOPO L'AVVIO DELLO SBRINAMENTO

- o Impostare il termostato nella posizione <0> e scollegare l'elettrodomestico dalla rete elettrica
- o Lasciare aperto lo sportello del congelatore. Collocare una bacinella d'acqua calda nel congelatore per accelerare lo sbrinamento
- o Rimuovere con una spugna l'acqua di sbrinamento che scorre nella parte inferiore del congelatore

**IMPORTANTE:** collocare alcuni asciugamani sul pavimento davanti all'elettrodomestico per contenere l'acqua di sbrinamento che fuoriesce dal congelatore.

- o Una volta sciolto tutto il ghiaccio accumulato, asciugare perfettamente la parte interna del congelatore per evitare che il ghiaccio si riformi immediatamente quando l'elettrodomestico viene riaccessato.
- o Con le mani asciutte, ricollegare l'elettrodomestico alla rete elettrica. Impostare la manopola del termostato nella posizione <5> per 24 ore prima di ripristinare l'impostazione normale <3>.
- o Attendere 24 ore prima di riporre alimenti freschi nel congelatore.

**Non sbrinare l'elettrodomestico con altri apparecchi elettrici (ad es. asciugacapelli). Non usare oggetti metallici affilati per togliere il ghiaccio dal congelatore, altrimenti l'impianto refrigerante potrebbe danneggiarsi**

#### INSTALLAZIONE

**IMPORTANTE:** prima dell'installazione e dell'uso, leggere attentamente le istruzioni e accertarsi che la tensione (V) e la frequenza (Hz) indicate sulla targhetta corrispondano a quelle della rete domestica. La targhetta è collocata sul bordo anteriore sinistro della parte interna del frigorifero.

Il produttore declina ogni responsabilità in caso di inosservanza delle norme di prevenzione degli incidenti che regolano l'utilizzo e il funzionamento dell'impianto elettrico.

#### Collegamento elettrico

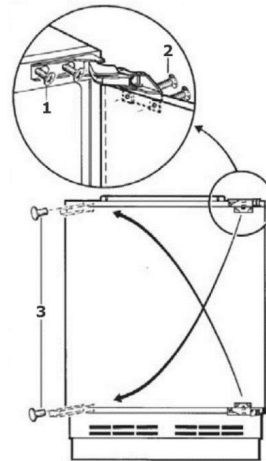
**IL CONGELATORE È PROGETTATO PER L'INSTALLAZIONE PERMANENTE.**

Il collegamento dell'elettrodomestico deve essere effettuato da un elettricista qualificato, membro del NICEIC, in conformità agli standard IEE e alle normative locali.

- o Il congelatore è dotato di una presa da 13 A. Se in futuro occorre sostituire il fusibile nella presa, è necessario utilizzare un fusibile da 13 A con approvazione ASTA (BS 1362). Colori dei conduttori elettrici:

**Marrone:** fase

**Blu:** neutro



**Giallo/verde:** terra

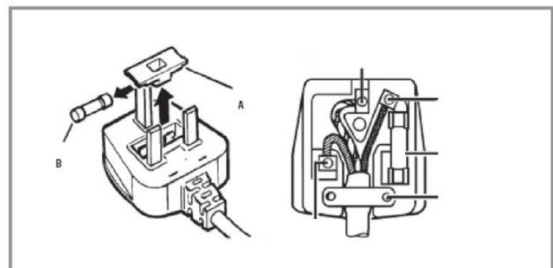
- o Se i colori dei conduttori elettrici dell'elettrodomestico non corrispondono ai contrassegni identificativi sui terminali della presa elettrica, procedere come indicato di seguito:

Collegare il **conduttore marrone** al terminale contrassegnato con la lettera "F" (fase) o di colore **rosso**.

Collegare il **conduttore blu** al terminale contrassegnato con la lettera "N" (neutro) o di colore **nero**.

Collegare il **conduttore giallo/verde** al terminale contrassegnato con la lettera "T" (terra), con il simbolo della terra o di colore **giallo/verde**.

- o Una volta effettuato il collegamento, eliminare spezzoni e residui di fili elettrici. Fissare il morsetto del cavo alla guaina esterna.



Scelta del luogo di installazione

- o L'elettrodomestico deve essere installato solo in luoghi a temperatura

ambiente corrispondenti alla classe climatica indicata sulla targhetta dell'elettrodomestico. Se la temperatura ambiente non rientra negli intervalli indicati di seguito, l'elettrodomestico potrebbe non funzionare correttamente.

- Temperata estesa (SN): «Apparecchio di refrigerazione destinato a essere utilizzato a una temperatura ambiente compresa tra 10 ° C e 32 ° C»
  - Temperata (N): «Apparecchio di refrigerazione destinato a essere utilizzato a una temperatura ambiente compresa tra 16 ° C e 32 ° C»
  - Subtropicale (ST): «Apparecchio di refrigerazione destinato a essere utilizzato a una temperatura ambiente compresa tra 16 ° C e 38 ° C»
  - Tropicale (T): «Apparecchio di refrigerazione destinato a essere utilizzato a una temperatura ambiente compresa tra 16 ° C e 43 ° C»
- o Non esporre l'elettrodomestico alla luce solare diretta, a fonti di calore costante o a temperature estreme (ad es. in prossimità di radiatori o caldaie).
  - o Lo sportello deve aprirsi completamente senza incontrare ostacoli.
  - o Collocare l'elettrodomestico in una posizione che consenta di accedere facilmente agli alimenti riposti.
  - o Controllare se è disponibile una presa elettrica facilmente accessibile dopo l'installazione dell'elettrodomestico.

#### Inversione dello sportello dell'elettrodomestico

Effettuare questa procedura PRIMA di fissare lo sportello del mobile. Conservare per eventuali usi futuri i componenti rimossi dall'elettrodomestico per l'inversione dello sportello.

**AVVERTENZA:** quando si aprono le cerniere, tenere presente la forza delle molle che potrebbe intrappolare le mani e provocare lesioni.

Utensili necessari:

- o Cacciavite Phillips
- o Cacciavite a lama

- o Allentare le viti di ritenuta **(1)** sull'elettrodomestico e rimuovere con attenzione lo sportello.
- o Collocare lo sportello su una superficie soffice per evitare di danneggiarlo.
- o Fare leva per estrarre i tappi **(3)**.
- o Inserire le viti di ritenuta **(1)** sul lato opposto dell'elettrodomestico. Avvitare le viti solo parzialmente.
- o Rimuovere le viti di ritenuta dello sportello **(2)** e invertire la posizione della cerniera superiore e di quella inferiore (come illustrato nella figura precedente).
- o Rimontare lo sportello dell'elettrodomestico e avvitare completamente le viti di ritenuta **(1)** e le viti di ritenuta dello sportello **(2)**.
- o Inserire i tappi **(3)** nei fori esposti sul lato destro del vano.

**IMPORTANTE:** al termine della procedura di inversione, accertarsi che lo sportello si apra e si chiuda correttamente

**Dopo l'inversione dello sportello, controllare la guarnizione per accertarsi che non sia piegata, ritorta o schiacciata, altrimenti rimarrà uno spazio tra la guarnizione e la parte interna dello sportello.**

- o La guarnizione deve aderire perfettamente tutt'attorno allo

sportello.

- o Se la guarnizione non aderisce perfettamente al vano:

1. Manipolare la guarnizione con un panno morbido caldo fino a quando non aderisce perfettamente al vano e tutt'attorno allo sportello.

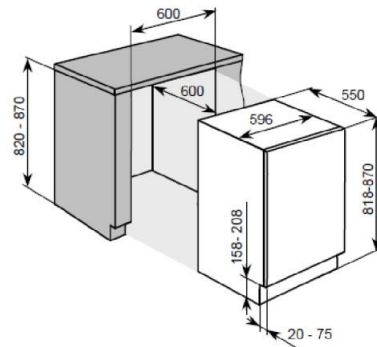
*Oppure*

2. Utilizzare un asciugacapelli alla minima potenza e riscaldare lievemente le zone della guarnizione dello sportello che non aderiscono perfettamente. Il calore ammorbidisce la guarnizione e ne facilita la manipolazione per collocarla nella posizione corretta.

**IMPORTANTE: LA GUARNIZIONE DELLO SPORTELLLO DEVE ESSERE RISCALDATA A BASSA TEMPERATURA E PER BREVE TEMPO, ALTRIMENTI POTREBBE DANNEGGIARSI INVALIDANDO LA GARANZIA.**

#### Dimensioni dell'apertura del mobile

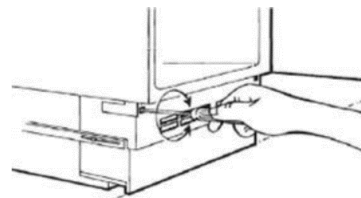
La figura seguente illustra le dimensioni dell'apertura del mobile in cui installare l'elettrodomestico



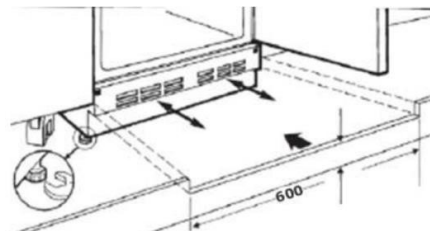
- o L'elettrodomestico deve essere collocato su un pavimento a livello. Per ovviare a lievi dislivelli del pavimento, regolare i piedini di livellamento.

#### Regolazione del basamento o dello zoccolo

Se l'elettrodomestico viene installato sotto il top, è possibile fissare un basamento o uno zoccolo di finitura adatto ai mobili di cucina.



- o Rimuovere la griglia sulla base dell'elettrodomestico svitando le viti laterali ed estrarre la griglia.



- o Regolare l'altezza dei piedini con una chiave.
  - o Se l'apertura è alta 820 mm, i piedini regolabili devono essere stretti completamente.
  - o Se l'apertura è alta 870 mm, i piedini regolabili devono essere sollevati di 50 mm.
  - o L'elettrodomestico deve essere a livello con la parte inferiore del top.
- IMPORTANTE:** se l'elettrodomestico non è a livello, lo sportello e la guarnizione potrebbero danneggiarsi.

- o Praticare un foro per la ventilazione sul basamento o sullo zoccolo. Il foro deve essere largo 600 mm e alto da 90 a 140 mm, a seconda dell'altezza di regolazione dell'elettrodomestico.
- o Inserire il basamento o lo zoccolo e rimontare la griglia nella posizione originaria.

**IMPORTANTE:** per garantire una corretta ventilazione è **INDISPENSABILE** praticare un foro delle corrette dimensioni sul basamento o sullo zoccolo (v. figura precedente).

#### Montaggio dello sportello del mobile all'elettrodomestico

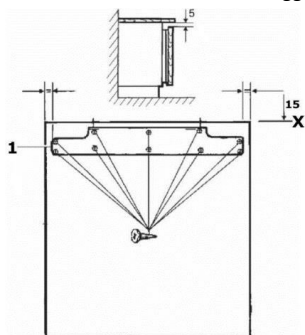
Se è necessario aprire lo sportello dell'elettrodomestico dall'altro lato, invertire lo sportello prima di procedere all'installazione (vedere "Inversione dello sportello").

Utensili necessari:

- o Metro
- o Pennarello sottile
- o Cacciavite a lama piccolo
- o Chiave

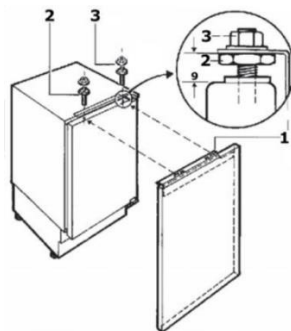
**IMPORTANTE:** l'installazione dell'elettrodomestico richiede due persone.

1. Svitare le viti dai due bulloni di regolazione collocati sulla parte superiore dello sportello dell'elettrodomestico e rimuovere la staffa di montaggio (1).

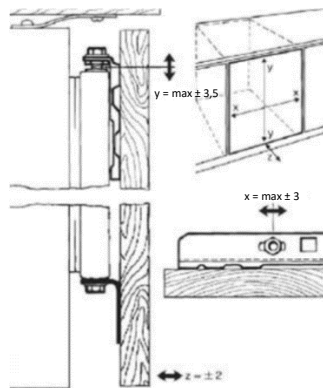


2. Misurare l'altezza dello sportello del mobile e marcare un punto a metà della verticale della superficie interna dello sportello del mobile. Tracciare una linea dalla parte superiore dello sportello del mobile fino a circa metà sportello.

- o Collocare la staffa di montaggio (1) sulla parte inversa dello sportello dell'elettrodomestico.
- o Posizionare la parte centrale della staffa di montaggio sulla linea appena tracciata. Prendere nota della posizione della staffa di montaggio per accertarsi che sia montata correttamente (v. figura precedente).
- o La parte superiore della staffa di montaggio deve essere collocata a circa 15 mm di distanza dalla parte superiore dello sportello del mobile. In tal modo, rimane uno spazio di 5 mm tra la parte superiore dello sportello del mobile e il top.
- o Fissare la staffa di montaggio allo sportello del mobile con le viti fornite e un cacciavite Phillips. Avvitare completamente le viti.

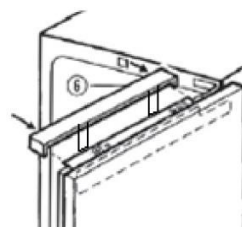


3. Agganciare lo sportello del mobile a quello dell'elettrodomestico accertandosi che i supporti sulla staffa di montaggio siano collocati sopra i bulloni di regolazione.

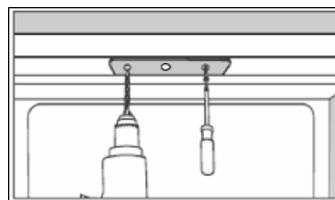


4. Regolare con un cacciavite la distanza sulla sezione inferiore dei bulloni di regolazione. La distanza deve essere circa 9 mm (v. figura precedente).
5. Fissare la staffa inferiore alla parte inferiore dello sportello del mobile e sotto lo sportello dell'elettrodomestico (v. figura alla pagina precedente)

oÈ possibile effettuare lievi regolazioni della posizione dello sportello del mobile agendo sulle viti sulla parte superiore e inferiore dello sportello dell'elettrodomestico. Effettuare queste regolazioni fino a quando lo sportello del mobile è a livello.



6. Inserire il coperchio sulla parte superiore dell'elettrodomestico fino a quando scatta in posizione.



7. Aprire lo sportello dell'elettrodomestico.

- o Con il trapano e una punta adatta, forare il top per applicare la staffa.

**IMPORTANTE:** la punta del trapano deve essere adatta al materiale del top.

- o Fissare la staffa sulla parte inferiore del top con le viti fornite.

**IMPORTANTE:** avvitare completamente le viti.

- o Se l'elettrodomestico viene installato sotto un top di granito, utilizzare le staffe a "L" fornite per fissare il frigorifero ai lati del vano. Con il trapano e una punta adatta, sul lato opposto a quello delle cerniere praticare i tre fori sul lato del vano per applicare la staffa.
- o I fori ovali devono trovarsi sopra le posizioni delle cerniere inutilizzate sulla parte anteriore dell'elettrodomestico. Fissare la staffa alla parte anteriore dell'elettrodomestico con le due viti.

Accertarsi che lo sportello si apra e si chiuda senza ostacoli e controllare la tenuta dello sportello.

#### **SOLUZIONE DEI PROBLEMI**

**IMPORTANTE:** se il congelatore non funziona correttamente, prima di rivolgersi all'assistenza consultare la lista di controllo seguente.

##### **Il congelatore non funziona o alimentazione assente**

- o Accertarsi che la spina sia interamente inserita nella presa elettrica.
- o Accertarsi che la rete elettrica funzioni (ad es. assenza di corrente o fusibile bruciato).
- o Accertarsi che il termostato interno dell'elettrodomestico non sia stato ruotato in posizione <0>.
- o Accertarsi che la tensione di alimentazione corrisponda a quella indicata sulla targhetta dell'elettrodomestico.

##### **Il frigorifero non raffredda a sufficienza**

- o Accertarsi che il frigorifero non sia sovraccarico e che le confezioni degli alimenti non siano troppo vicine tra loro.
- o Impostazione del termostato insufficiente; scegliere una temperatura più fredda.
- o Accertarsi che lo sportello si chiuda perfettamente e che non sia stato lasciato aperto per molto tempo.
- o Accertarsi che la ventilazione dell'elettrodomestico sia adeguata.

##### **Il frigorifero è rumoroso**

- o La circolazione del gas refrigerante nelle tubazioni dell'elettrodomestico potrebbe produrre lievi rumori, anche se il compressore non è in funzione.
- o Se il rumore aumenta o se l'elettrodomestico è più rumoroso del normale, accertarsi che sia a livello, che la parte posteriore non tocchi altri oggetti e che nel frigorifero non siano riposti oggetti che sbattono.

##### **Sulla parete posteriore del frigorifero si è formato rapidamente il ghiaccio**

- o Accertarsi che gli alimenti non siano stati riposti troppo all'interno e che non tocchino la parete posteriore.

#### **NON TENTARE DI RIPARARE L'ELETTRODOMESTICO DA SOLI.**

In caso di intervento dell'assistenza in garanzia, se il tecnico che ispeziona l'elettrodomestico scopre un problema non dovuto a un guasto dell'elettrodomestico, la riparazione sarà a pagamento.

L'elettrodomestico deve essere accessibile al tecnico per le riparazioni. Se l'elettrodomestico è installato in maniera tale che il tecnico ritenga che possa danneggiarsi o danneggiare la cucina, la riparazione non verrà effettuata (ad esempio se l'elettrodomestico è stato piastrellato, sigillato con sigillante, ostruito anteriormente con il basamento o altri ostacoli di legno).

Fare riferimento alle condizioni della garanzia riportate sulla scheda ricevuta assieme all'elettrodomestico.

#### **DISPONIBILITÀ DEI RICAMBI**

termostati, sensori di temperatura, schede a circuiti stampati e sorgenti luminose sono disponibili per un periodo minimo di sette anni dall'immissione sul mercato dell'ultima unità del modello;

maniglie e cerniere delle porte, vassoi e cesti sono disponibili per un periodo minimo di sette anni e guarnizioni delle porte per un periodo minimo di dieci anni dall'immissione sul mercato dell'ultima unità del modello;

#### **ASSISTENZA TECNICA**

Per contattare l'assistenza tecnica, visitare il nostro sito Web:

<https://corporate.haier-europe.com/en/> . Nella sezione "websites", scegli la marca del tuo prodotto e il tuo paese. Verrai reindirizzato al sito specifico dove potrai trovare il numero di telefono e il modulo per contattare l'assistenza tecnica

Per ulteriori informazioni sul prodotto, consultare <https://eprel.ec.europa.eu/> o eseguire la scansione del QR sull'etichetta energetica fornita con l'apparecchio

## Français

Nous vous remercions d'avoir acheté ce produit. Avant d'utiliser votre réfrigérateur, veuillez lire attentivement ces instructions d'utilisation afin de maximiser ses performances. Conservez cette documentation pour pouvoir vous y référer ultérieurement ou pour les éventuels futurs propriétaires. Ce produit est destiné uniquement à un usage domestique ou autres usages similaires tels que :

- l'espace cuisine réservé au personnel dans un magasin, des bureaux ou autres lieux de travail,
- dans les fermes-auberges, pour la clientèle des hôtels, motels et autres lieux de type résidentiel,
- dans les chambres d'hôtes,
- chez la restauration et autres services similaires, ce produit ne convient pas à la vente au détail.

Cet appareil doit être utilisé uniquement pour conserver de la nourriture ; tout autre usage est considéré comme dangereux et le fabricant ne sera pas tenu responsable en cas de mauvaise utilisation. Il est donc recommandé de prendre connaissance des conditions de garantie.

## INFORMATIONS DE SÉCURITÉ

Veuillez lire attentivement les instructions d'utilisation et d'installation ! Elles contiennent des informations importantes sur l'installation, l'utilisation et l'entretien de l'appareil. Le fabricant n'est pas responsable si vous ne respectez pas les instructions et avertissements.

Conservez tous les documents pour une utilisation ultérieure ou pour le propriétaire suivant.

- **Ne branchez pas l'appareil à l'alimentation électrique avant d'avoir retiré tous les protecteurs d'emballage et de transport. Tenez les enfants à l'écart de l'emballage et de ses parties. Risque de suffocation provenant de cartons pliants et de film plastique !**
- **Laisser reposer pendant au moins 4 heures avant la mise en marche pour permettre à l'huile du compresseur de se déposer si le compresseur même est transportée horizontalement.**
- **À la livraison, vérifiez que le produit n'est pas endommagé et que toutes les pièces et accessoires sont en parfait état.**
- **N'endommagez pas le circuit réfrigérant.**
- **N'obstruez pas les orifices d'aération dans l'appareil ou**

**dans la structure dans laquelle il est intégré.**

- **Ne jamais utiliser d'eau pour laver la position du compresseur, l'essuyer soigneusement avec un chiffon sec après le nettoyage pour éviter la rouille.**
- **Manipulez toujours l'appareil avec au moins deux personnes parce qu'il est lourd.**
- **Installez et mettez à niveau l'appareil dans une zone adaptée à sa taille et à son utilisation.**
- **Assurez-vous que les informations électriques figurant sur la plaque signalétique sont conformes à l'alimentation électrique. Si ce n'est pas le cas, contactez un électricien.**
- **L'appareil est alimenté par une alimentation de 220-240 VCA/50 Hz. Les variations anormales de tension peuvent provoquer l'arrêt de l'appareil ou endommager le régulateur de température ou le compresseur, ou il peut y avoir un bruit anormal lors du fonctionnement. Dans ce cas, un régulateur automatique doit être monté.**
- **Uniquement pour le Royaume-Uni : Le cordon d'alimentation de l'appareil est équipé d'une fiche 3 pôles (de mise à la terre) qui s'adapte à une prise standard 3 pôles (de mise à la terre). Ne coupez jamais ou ne démontez jamais la troisième broche (mise à la terre). Une fois l'appareil installé, la fiche doit être accessible.**
- **Veillez à ce que le câble de réseau ne soit pas coincé sous l'appareil pendant et après le transport ou le déplacement de l'appareil, afin d'éviter que le câble de réseau ne soit coupé ou endommagé. Si le câble d'alimentation est endommagé, il doit**

être remplacé par le fabricant, son agent d'entretien ou des personnes possédant le même type de qualification, afin d'éviter tout risque.

- N'installez pas l'appareil dans un endroit humide, gras ou poussiéreux et ne l'exposez pas à la lumière directe du soleil ni à l'eau.
- N'installez pas l'appareil à proximité de sources de chaleur ou de matériaux inflammables
- POUR les appareils équipés d'un compartiment congélateur : en cas de panne de courant, n'ouvrez pas le couvercle. Les aliments congelés ne devraient pas être affectés si la panne dure moins que les heures indiquées sur l'étiquette signalétique (temps de montée en température). Si la panne dure plus longtemps, alors il convient de vérifier les aliments et de les manger immédiatement ou bien de les cuire et de les congeler à nouveau.
- Si vous trouvez que le couvercle de l'appareil est difficile à ouvrir juste après l'avoir fermé, ne soyez pas inquiet. Cela vient de la différence de pression qui doit s'égaliser et permettre au couvercle de s'ouvrir normalement après quelques minutes.
- Ne conservez pas de médicaments, de bactéries ou d'agents chimiques dans l'appareil. Cet appareil est un appareil électroménager, il n'est pas recommandé de stocker des

produits qui nécessitent des températures strictes.

- Ne tirez pas et ne pliez pas excessivement le cordon d'alimentation et ne touchez pas la prise avec les mains mouillées.
- Ne conservez pas des produits contenant des gaz propulseurs inflammables (par ex. des bombes de pulvérisation) ou des substances explosives dans l'appareil. Risque d'explosion !
- Ne placez pas d'objets instables (objets lourds, récipients remplis d'eau) sur le dessus du réfrigérateur, pour éviter les blessures corporelles causées par une chute ou une électrocution causée par le contact avec de l'eau.
- N'utilisez pas d'appareils électriques dans les compartiments de conservation des aliments de l'appareil, excepté s'ils sont du type recommandé par le fabricant.
- Ne pas toucher les éléments de refroidissement internes, en particulier avec les mains mouillées, pour éviter les fissures ou les blessures.
- Les enfants, les personnes qui ont des capacités physiques, mentales ou sensorielles limitées, ainsi que les personnes qui ont des connaissances insuffisantes en matière de sécurité d'utilisation de l'appareil sont à risque. Vérifiez que les enfants et les personnes vulnérables ont compris les dangers. Une personne responsable de la sécurité doit surveiller les enfants et les personnes vulnérables qui utilisent l'appareil ou leur expliquer son fonctionnement. Seuls les enfants âgés de 8 ans et plus peuvent utiliser l'appareil.



- Les enfants ne doivent pas jouer avec l' appareil.
- Les enfants âgés de 3 à 8 ans sont autorisés à charger et à décharger l' appareil
- POUR les appareils avec compartiment congélateur : ne conservez pas de liquides en bouteille ou en canette (surtout les boissons gazeuses) dans le compartiment congélateur. Les bouteilles et les canettes peuvent éclater !
- POUR les appareils équipés d'un compartiment congélateur : ne placez jamais d'aliments congelés dans votre bouche juste après les avoir sortis du compartiment congélateur. Risque de brûlures à basse température !
- Gardez les pièces en plastique et le joint de porte exempt d'huile et de graisse. Dans le cas contraire, les pièces en plastique et le joint de porte deviendront poreux.
- Avant toute intervention, débranchez le cordon d'alimentation de la prise murale.
- N'utilisez pas d'outils mécaniques ou autres équipements pour accélérer le processus de dégivrage, autres que ceux recommandés par le fabricant.
- N'utilisez pas d'objets pointus ou tranchants tels que des couteaux ou des fourchettes pour enlever le givre. N'utilisez jamais de sèche-cheveux, de radiateurs électriques ou d'autres appareils électriques de ce type pour le dégivrage.
- Il est recommandé de maintenir la prise propre ; les résidus excessifs de poussière sur la prise peuvent provoquer un incendie.
- N'essayez pas de réparer, démonter ou modifier l'appareil vous-même. En cas de réparation, veuillez contacter notre service clientèle.
- Supervisez les enfants pendant le nettoyage ou l'entretien de l'appareil.
- Ne nettoyez pas les clayettes froides en verre à l'eau chaude. Un changement soudain de température peut casser le verre.
- AVERTISSEMENT : Les tubes du circuit de réfrigération transportent une petite quantité d'un frigorigène respectueux de l'environnement mais inflammable (R600a) et d'un gaz isolant (cyclopentane). Il n'endommage pas la couche d'ozone et n'augmente pas l'effet de serre. Si le réfrigérant s'échappe, il risque de blesser vos yeux ou de s'enflammer.
- En cas de dommages du circuit de réfrigérant :
  - Éteignez l'appareil et retirez la prise secteur ;
  - Tenez les flammes nues et/ou les sources d'inflammation loin de l'appareil ;
  - Ventilez complètement la pièce pendant plusieurs minutes ;
  - Informez le service clientèle.
- AVERTISSEMENT : N' endommagez pas la fiche et/ou le cordon d'alimentation ; cela pourrait provoquer des chocs électriques ou des incendies.
- AVERTISSEMENT : N'utilisez pas des systèmes multiprises portatifs ou des alimentations portatives. Nous ne recommandons pas l'utilisation de rallonges et d' adaptateurs multiples.

- N'essayez pas de vous asseoir ou de vous tenir debout sur le dessus de l'appareil. Vous pourriez vous blesser ou endommager l'appareil. Cet appareil n'est pas conçu pour être empilé avec d'autres appareils.
- L'appareil est conçu et construit pour un usage domestique uniquement.
- Seules les pièces d'origine fournies par le fabricant peuvent être utilisées. Le fabricant garantit que seules ces pièces satisfont aux exigences de sécurité.
- L'ouverture prolongée de la porte peut entraîner une hausse significative de la température dans les compartiments de l'appareil.
- Nettoyez régulièrement les surfaces entrant en contact avec les aliments et les systèmes d'évacuation accessibles.
- Nettoyez les réservoirs d'eau s'ils n'ont pas été utilisés pendant 48 h ; videz le circuit d'eau raccordé à une alimentation d'eau si l'eau n'a pas été tirée pendant 5 jours.
- Placez la viande et le poisson crus dans des récipients adaptés avant de les mettre au réfrigérateur, afin qu'ils n'entrent pas en contact avec d'autres aliments ou ne gouttent pas dessus.
- Les compartiments de congélation « deux étoiles » (si présents dans l'appareil) sont adaptés à la conservation des aliments pré-congelés, à la conservation et à la fabrication des crèmes glacées et à la production des glaçons.
- Les compartiments « une, deux et trois étoiles » (si présents dans l'appareil) ne sont pas adaptés à la congélation des aliments frais.
- Si l'appareil doit rester vide pendant des périodes prolongées, mettez-le hors tension, dégivrez-le, nettoyez-le, séchez-le et laissez la porte ouverte pour éviter la formation de moisissures à l'intérieur
- Autres appareils de stockage du vin: Cet appareil est destiné uniquement au stockage du vin
- Pour un appareil à pose libre: Cet appareil de réfrigération n'est pas destiné à être utilisé comme un appareil intégrable
- Pour les appareils sans compartiment « quatre étoiles»: Cet appareil de réfrigération ne convient pas pour la congélation de denrées alimentaires

## Mise au rebut des anciens appareils



Cet appareil comporte les symboles conformes à la directive européenne 2012/19/EU sur les déchets des équipements électriques et électroniques (DEEE).


DEEE couvre à la fois les substances polluantes (pouvant avoir des retombées négatives sur l'environnement) et les composants de base (pouvant être ré-utilisés). Il est important de soumettre les déchets DEEE à des traitements spécifiques, afin d'enlever et éliminer tous les polluants de manière adéquate et de récupérer et recycler tous les matériaux.

Toute personne peut jouer un rôle important en veillant à ce que les déchets DEEE ne deviennent pas un problème environnemental ; pour cela, il est essentiel de suivre quelques règles de base :

- Les DEEE ne doivent pas être traités comme des déchets ménagers ;
- Les DEEE doivent être remis aux points de collecte appropriés gérés par la municipalité ou par des sociétés reconnues. Dans de nombreux pays, pour des DEEE encombrants, la collecte à domicile peut être organisée.

Dans de nombreux pays, lorsque vous achetez un nouvel appareil, l'ancien peut être retourné au détaillant qui est en devoir de le récupérer sans frais de manière individualisée, tant que l'équipement est de type équivalent et a les mêmes fonctions que l'équipement fourni.

## Conformité

En apposant la marque  sur ce produit, nous confirmons la conformité à toutes les obligations européennes concernant la protection de l'environnement et de la santé et de la sécurité, applicables selon la loi à ce produit.

## Garantie

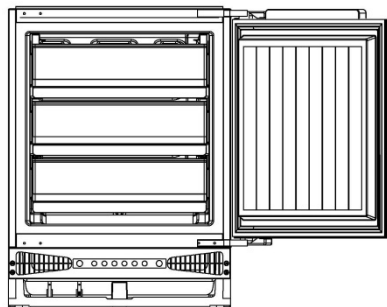
La garantie minimale est : 2 ans pour les pays de l'UE, 3 ans pour la Turquie, 1 an pour le Royaume-Uni, 1 an pour la Russie, 3 ans pour la Suède, 2 ans pour la Serbie, 5 ans pour la Norvège, 1 an pour le Maroc, 6 mois pour l'Algérie, pas de garantie légale requise pour la Tunisie.

## Économies d'énergie

Pour faire davantage d'économies d'énergie nous suggérons :

- Installez l'appareil dans un endroit bien aéré, loin de sources de chaleur et ne l'exposez pas à la lumière directe du soleil.
- Évitez de mettre de la nourriture chaude dans le réfrigérateur pour éviter d'accroître la température intérieure et, par conséquent, de faire fonctionner le compresseur en permanence.
- Ne tassez pas trop les denrées conservées de manière à garantir une circulation de l'air correcte.
- Si de la glace s'est formée, dégivrez l'appareil pour faciliter le transfert du froid.
- En cas de coupure de l'alimentation électrique, il est conseillé de garder la porte du réfrigérateur fermée.
- Ouvrez ou laissez la porte du réfrigérateur ouverte le moins possible.
- Évitez de régler le thermostat à des températures trop basses.
- Retirez la poussière accumulée à l'arrière de l'appareil

## DESCRIPTION DE L'APPAREIL



### REMARQUE:

L'image est pour référence seulement et peut différer de votre produit.

La configuration la plus économe en énergie nécessite que les tiroirs, la boîte à aliments et les étagères soient positionnés dans le produit, veuillez vous référer aux images ci-dessus

### UTILISATION DE VOTRE CONGELATEUR

#### Avant de l'allumer


- o Assurez-vous qu'il a été installé par une personne suffisamment qualifiée, conformément aux informations contenues dans les consignes d'installation du produit.
- o Après la livraison, attendez huit heures avant de brancher l'appareil à la source d'alimentation. Cela permettra au gaz réfrigérants qui pourraient avoir été secoués pendant le transport de se stabiliser.
- o Vous devez nettoyer l'extérieur de l'appareil et les accessoires amovibles qu'il contient avec une solution de détergent liquide et d'eau.
- o L'intérieur de l'appareil doit être lavé avec une solution de bicarbonate de sodium dissous dans de l'eau tiède. L'intérieur et les accessoires doivent être soigneusement séchés après le nettoyage.
- o Une odeur peut être présente quand vous allumez pour la première fois l'appareil. Elle diminuera au fur et à mesure que l'appareil commencera à se refroidir.


#### Durant la première utilisation

- o Vous devez régler le thermostat sur sa valeur maximale pendant 24 heures après avoir allumé l'appareil pour la première fois.
- o Quand vous allumez pour la première fois l'appareil, le compresseur fonctionnera en continu pendant approximativement 24 heures ou jusqu'à ce que le congélateur du réfrigérateur atteigne une température suffisamment froide.
- o Durant cette période, vous devez éviter d'ouvrir la porte fréquemment ou de placer une grande quantité de nourriture à l'intérieur de l'appareil.
- o Vous pouvez ensuite baisser le thermostat sur sa position de fonctionnement normal.
- o Si l'appareil est éteint ou débranché, vous devez attendre au moins 5 minutes avant de redémarrer l'appareil sur le thermostat ou de le rebrancher à votre source d'alimentation.

#### Mise en marche du réfrigérateur


6 réglages de température sont disponibles pour le réfrigérateur. Après le branchement à l'alimentation, le réfrigérateur sera réglé sur 3, qui est le réglage par défaut.

Bouton "  " : situé sur le côté droit, il sert à allumer/éteindre le réfrigérateur en appuyant dessus pendant 3 s.

Bouton "  " : situé sur le côté gauche, il sert à régler les paramètres de température du réfrigérateur



#### Réglage de la température :

La température à l'intérieur du réfrigérateur est réglée en appuyant sur le bouton "  " de gauche. En appuyant sur le bouton, les réglages de 1 à 5 représentent différentes températures de la plus haute à la plus basse.

"❄️" indique la fonction Super congélation. En maintenant le bouton "❄️" enfoncé, sélectionnez la fonction Super congélation. Lorsqu'elle est activée, le symbole SF s'allume. La période SF durera 24 heures, puis elle s'éteindra automatiquement et l'appareil reviendra au réglage précédent du thermostat.

Position	Conditions
1-2	Été ou température ambiante comprise entre 25 et 35 °C
3-4	Printemps, automne ou température ambiante comprise entre 15 et 25 °C
4-5	Hiver ou température ambiante comprise entre 5 et 15 °C
Fonction super congélation	Congélation rapide

**Mise en garde : il faut parfois un certain temps au réfrigérateur pour atteindre le niveau configuré quand vous effectuez des réglages de la température. Cette période durera plus ou moins longtemps en fonction de la différence entre la température existante et la température configurée, de la température ambiante, de la fréquence à laquelle vous ouvrez et vous fermez la porte et de la quantité de nourriture qui se trouve à l'intérieur du réfrigérateur.**

#### Compartiment congélateur

- La température du compartiment congélateur doit avoir déjà atteint -18 °C (ou moins) avant que vous commenciez à placer des aliments déjà surgelés ou à congeler des aliments frais.
- Le compartiment congélateur n'est capable de congeler qu'une certaine quantité de nourriture en même temps. Vous ne devez pas tenter de congeler plus de 4,5 kg d'aliments frais durant une période de 24 heures.
- Vous devez laisser refroidir les aliments chauds avant de les congeler. Si vous placez des aliments chauds dans le congélateur, l'augmentation de l'humidité provoquera une formation plus rapide de glace et amènera l'appareil à consommer plus d'énergie.
- Les consignes du fabricant des aliments doivent être respectées en ce qui concerne la durée maximale de conservation.
- Les aliments décongelés ne doivent pas être recongelés.
- N'ouvrez pas la porte du congélateur trop souvent et ne laissez pas la porte ouverte pendant de longues périodes car cela entraînera une hausse de la température à l'intérieur de l'appareil et augmentera la consommation d'énergie.

Positionnez des aliments différents dans des compartiments différents selon le tableau ci-dessous

Compartiments du réfrigérateur	Type d'aliments
Tiroir(s)/grille du congélateur	Aliments destinés à être conservés longtemps. Tiroir inférieur pour la viande crue, la volaille, le poisson. Tiroir central pour les légumes surgelés, les frites. Grille supérieure pour les crèmes glacées, fruits congelés, produits de boulangerie congelés.

#### Astuces en matière de congélation

- Les sacs congélation, les films en polyéthylène, le papier aluminium (extra- épais) et des boîtes spéciales pour aliments congelés sont adaptés pour y ranger les aliments congelés.
- Le ruban adhésif, les bandes en caoutchouc ou les pinces en plastique sont adaptés pour fermer

hermétiquement les sachets et les emballages.

- Avant de fermer hermétiquement un sachet adapté, vous devez appuyer dessus pour évacuer l'air car cela aidera la nourriture à se congeler plus facilement.
- Les paquets plats se congèlent plus facilement.
- Si vous congélez des liquides, ne remplissez pas le récipient à ras bord. Les liquides congelés augmentent de volume.
- Pour les aliments congelés, se reporter à la durée de conservation inscrite sur l'emballage des aliments. Cette durée de conservation est atteinte lorsque le réglage respecte les températures de référence du compartiment (une étoile -6° C, deux étoiles -12° C, trois étoiles -18° C).

**Ne placez pas les bouteilles (en verre ou en aluminium) contenant des liquides (en particulier des liquides pétillants) dans le congélateur car cela pourrait entraîner l'explosion de la bouteille durant la congélation.**

#### Fabrication de glaçons

- Remplissez le moule à glaçons d'eau et placez-le dans le compartiment congélateur.
- Quand l'eau sera entièrement congelée et se sera transformée en glace, vous pourrez tordre le moule à glaçons (comme cela est montré sur le dessin ci-dessous) pour faire tomber les glaçons.

#### ÉCONOMIES D'ÉNERGIE LORS DE L'UTILISATION DE VOTRE CONGÉLATEUR

##### Installation:

- Installez l'appareil dans un lieu frais. S'il est placé en plein soleil ou à proximité d'un four ou d'une autre source de chaleur, la consommation d'énergie peut considérablement augmenter.
- Vérifiez que l'appareil est installé en respectant les exigences de ventilation. La limitation de la ventilation peut augmenter la consommation d'énergie de 15 %.

##### Nettoyage et entretien :

- Nettoyez occasionnellement les serpentins du condensateur (le cas échéant) au dos de l'appareil pour maintenir un haut niveau de performance.
- Dégivrez régulièrement l'appareil. Une accumulation de glace épaisse diminue l'efficacité de l'appareil. Vous devez dégivrer quand le givre atteint 5 mm d'épaisseur.
- Nettoyez le joint de la porte à l'eau chaude ou avec un détergent neutre ne laissant aucun résidu. Un joint de porte parfaitement hermétique est fondamental pour l'efficacité de votre appareil.

##### Utilisation :

- N'ouvrez pas la porte continuellement ou trop souvent.
- Ne réglez pas le thermostat trop bas. Un changement d'un degré à peine peut affecter la consommation d'énergie de 5 %. Utilisez un thermomètre pour vérifier la température.
- Le congélateur doit fonctionner à une température de -15 à -18 °C.
- Attendez que les aliments aient suffisamment refroidi avant de les placer dans l'appareil (mais ne les laissez pas trop longtemps à température ambiante).
- Dans le congélateur, les paquets de nourriture doivent être distribués et ne doivent jamais être regroupés ou empilés tant qu'ils ne sont pas entièrement congelés.
- Si vous vous absentez pendant une longue période, éteignez l'appareil, videz-le, nettoyez-le et laissez la porte entrouverte.
- Si vous avez un second appareil non utilisé, vérifiez qu'il est rangé avec le courant coupé et la porte entrouverte jusqu'à ce que vous en ayez besoin.

##### Mise au rebut :

- Si vous souhaitez jeter votre vieux réfrigérateur, informez-vous pour savoir s'il existe un lieu de recyclage des chlorurofluorocarbones (CFC) dans votre région. Le service gouvernemental préposé à la protection de

l'environnement dans votre région peut vous aider.

## NETTOYAGE ET ENTRETIEN

AVERTISSEMENT : VEUILLEZ VÉRIFIER QUE VOTRE APPAREIL EST DÉBRANCHÉ AVANT DE COMMENCER À LE NETTOYER.

- o Ne nettoyez pas l'appareil en versant de l'eau dessus ou en pulvérisant de l'eau dessus.
- o Il faut nettoyer régulièrement le congélateur avec une solution de bicarbonate de soude et d'eau tiède.
- o Nettoyez les accessoires séparément avec de l'eau savonneuse. Ne les lavez pas au lave-vaisselle.
- o N'utilisez pas de savons, détergents ou produits abrasifs.
- o Après avoir lavé l'appareil, essuyez la zone que vous avez nettoyé avec un chiffon humide et séchez-la soigneusement.
- o Quand vous aurez terminé le nettoyage, essuyez-vous les mains puis rebranchez l'appareil.

### Dégivrage du compartiment congélateur

Le givre à l'intérieur du compartiment congélateur doit être enlevé périodiquement. Vous pouvez utiliser un racloir en plastique pour réduire la quantité de givre s'accumulant.

**IMPORTANT : Le congélateur doit être dégivré au moins deux fois par an. La fréquence selon laquelle vous aurez besoin de le dégivrer dépendra du réglage de votre thermostat et de la quantité de nourriture que vous congelez et que vous conservez dans le congélateur.**

- o La veille du dégivrage, tournez le bouton du thermostat sur la position <5>, vous serez ainsi certain que les aliments contenus dans le congélateur seront correctement congelés.
- o Lorsque vous dégivrez l'appareil, vous devez sortir les aliments du congélateur et les envelopper dans plusieurs couches de papier avant de les conserver dans un lieu frais. La hausse de température des aliments raccourcira leur durée de conservation, par conséquent vous devrez consommer la nourriture dans des délais relativement courts.

**NE REMETTEZ PAS LES ALIMENTS DANS LE CONGÉLATEUR UNE FOIS QU'ILS ONT COMMENCÉ À SE DÉCONGELER.**

- o Réglez le bouton du thermostat sur la position <0> et débranchez l'appareil
- o Laissez la porte du congélateur ouverte. Vous pouvez placer un bol d'eau chaude à l'intérieur du congélateur pour accélérer le processus de dégivrage.
- o Vous pouvez utiliser une éponge pour éponger l'eau de dégivrage qui s'écoulera en bas du congélateur.

**IMPORTANT : vous devez placer des serpillères sur le sol qui se trouve juste en face de l'appareil, au cas où de l'eau de dégivrage sortirait du congélateur et tomberait par terre.**

- o Une fois que la glace qui s'est formée aura fondu, vous pourrez essuyer intégralement l'intérieur du congélateur. Si vous ne le faites pas, la glace se reformera immédiatement dès que vous rallumerez l'appareil.
- o Rebranchez l'appareil avec des mains sèches. Réglez le bouton du thermostat sur la position <5> pendant 24 heures avant de revenir au réglage normal sur la position <3>.
- o Vous ne devez pas essayer de congeler des aliments frais à l'intérieur du congélateur tant que cette période de 24 heures ne s'est pas écoulée.

**Ne dégivrez pas l'appareil avec d'autres dispositifs électriques (par ex. un sèche-cheveux). N'utilisez pas des objets métalliques pointus pour enlever la glace du congélateur car cela pourrait endommager le système réfrigérant.**

## INSTALLATION

**IMPORTANT : avant l'installation et l'utilisation, lisez toutes les instructions et vérifiez que la tension (V) et la fréquence (Hz) indiquées sur la plaque signalétique sont exactement les mêmes que celles de la tension et de la fréquence de votre domicile. La plaque signalétique se trouve sur le bord avant gauche de l'intérieur du réfrigérateur.**

Le fabricant décline toute responsabilité si l'installateur ne respecte pas toutes les consignes de prévention des accidents en vigueur, celles-ci étant nécessaires pour une utilisation normale et un fonctionnement correct du système électrique.

### Branchement électrique

**VOTRE CONGÉLATEUR EST CONÇU POUR UNE INSTALLATION MONTÉE ET PERMANENTE.**

Il est recommandé de faire réaliser le branchement de l'appareil par un électricien qualifié, membre du N.I.C.E.I.C. et respectant les I.E.E. et les réglementations locales.

- o Votre congélateur est fourni avec une fiche de 13 A montée. Si vous avez besoin plus tard de changer le fusible dans cette fiche, vous devez alors utiliser un fusible (BS 1362) agréé ASTA de 13 A.
- o Le câblage dans le cordon d'alimentation est coloré de la manière suivante :

**Marron** Sous tension  
**Bleu** Neutre  
**Vert et jaune** Terre

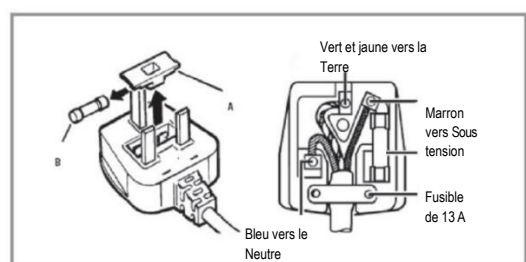
- o Étant donné que les couleurs des fils dans le câble d'alimentation de l'appareil peuvent ne pas correspondre aux marquages de couleur identifiant les bornes dans votre boîtier, veuillez procéder de la manière suivante:

Le **fil marron** doit être raccordé à la borne indiquée par "L" (*live*, c'est-à-dire sous tension) ou de couleur **rouge**.

Le **fil bleu** doit être raccordé à la borne indiquée par "N" (neutre) ou de couleur **noire**.

Le **fil vert et jaune** doit être raccordé à la borne indiquée par "E" (*earth*, c'est-à-dire la terre), ou par le symbole de la terre, ou de couleur **verte et jaune**.

- o Quand le branchement est terminé, aucun brin ou fil coupé ne doit être présent. La bride du cordon doit être bien fixée sur la gaine extérieure.



### Positionnement

- o Il est conseillé d'installer votre appareil uniquement à un emplacement où la température ambiante de la pièce correspond à la classification climatique indiquée sur la plaque signalétique de votre appareil. Il se peut que votre appareil ne fonctionne pas correctement si la température ambiante se trouve en dehors des plages suivantes.
- Tempérée élargie (SN): «Cet appareil de réfrigération est destiné à être utilisé à des températures ambiantes comprises entre 10 ° C et 32 ° C»
- Tempérée (N): «Cet appareil de réfrigération est destiné à être utilisé à des températures ambiantes comprises entre 16 ° C et 32 ° C»
- Subtropicale (ST): «Cet appareil de réfrigération est destiné à être utilisé à des températures ambiantes comprises entre 16 ° C et 38 ° C»
- Tropicale (T): «Cet appareil de réfrigération est destiné à être utilisé à des températures ambiantes comprises entre 16 ° C et 43 ° C»

- o Votre appareil ne doit pas être placé en plein soleil ou exposé à une chaleur constante ou des températures extrêmes (par ex. à côté d'un radiateur ou d'un chauffe-eau).
- o La porte doit pouvoir être ouverte entièrement et librement.
- o L'appareil doit être situé de manière à pouvoir accéder aisément aux aliments qui y sont conservés.
- o Vous devez vérifier si une prise électrique est disponible et celle-ci devra être accessible après l'installation de votre appareil.

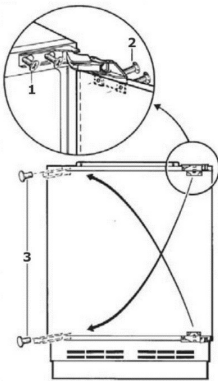
#### INVERSION DE LA PORTE DE VOTRE APPAREIL

Cette procédure DOIT être effectuée avant de fixer la porte du meuble. Toutes les pièces que vous enlevez de l'appareil lors de l'inversion de la porte doivent être conservées pour un usage futur.

**AVERTISSEMENT - Faites attention quand vous ouvrez les charnières, elles sont munies d'un ressort et vous pourriez vous blesser si elles se ferment sur votre main.**

Outils nécessaires :

- o Tournevis cruciforme
- o Tournevis plat



- o Desserrez les vis de fixation (1) sur l'appareil puis enlevez délicatement la porte de l'appareil.
- o Placez la porte de l'appareil sur une surface rembourrée, de manière à ne pas l'abîmer.
- o Soulevez les capuchons (3).
- o Introduisez les vis de fixation (1) de l'autre côté de l'appareil par rapport à leur position d'origine. Vous devez serrer partiellement ces vis mais pas totalement.
- o Enlevez les vis de fixation de la porte (2) puis inversez la position de la charnière du haut et du bas (comme cela est montré sur le schéma ci-dessus).
- o Fixez à nouveau la porte de l'appareil puis serrez à fond les vis de fixation (1) et les vis de fixation de la porte (2).
- o Introduisez les capuchons (3) dans les trous qui sont maintenant visibles sur le côté droit du placard.

**IMPORTANT : vérifiez que la porte s'ouvre et se ferme correctement, sans problème, après avoir terminé la procédure d'inversion de la porte.**

**Après avoir inversé la porte, vous devez contrôler le joint de la porte de l'appareil. Le joint ne doit pas être plié ni écrasé, sinon il y aura un trou entre le joint et l'intérieur de la porte.**

- o Le joint doit adhérer correctement tout le long de la porte.
  - o Si le joint n'adhère pas correctement au placard, vous devez :
1. Utiliser un chiffon humide chaud et manipuler le joint jusqu'à ce qu'il adhère correctement au placard, tout le long de la porte.

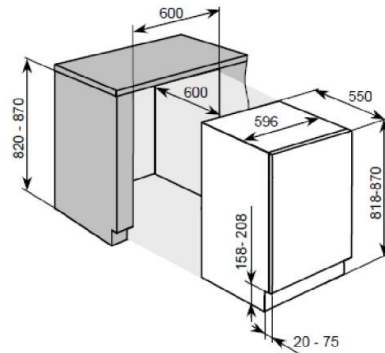
Ou

2. Utiliser un sèche-cheveux en le réglant sur la chaleur la plus faible et chauffer légèrement les zones du joint de la porte qui n'adhèrent pas correctement. La chaleur rendra le joint plus malléable et cela vous permettra de le manipuler pour le placer dans la position correcte.

**IMPORTANT : NE CHAUFFEZ LE JOINT DE LA PORTE QUE SUR LE RÉGLAGE LE PLUS FAIBLE DE CHALEUR OU CHAUFFEZ LE JOINT PENDANT UN LONG MOMENT. SINON VOUS POURRIEZ ABÎMER LE JOINT DE LA PORTE ET SA RECTIFICATION NE SERA PAS COUVERTE GRATUITEMENT PAR LA GARANTIE.**

#### Dimensions d'ouverture

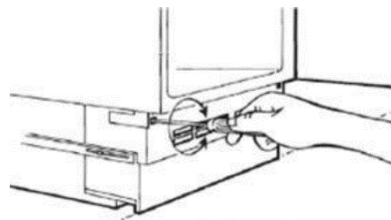
Le schéma ci-dessous montre la taille de l'ouverture dont vous aurez besoin pour installer votre appareil.



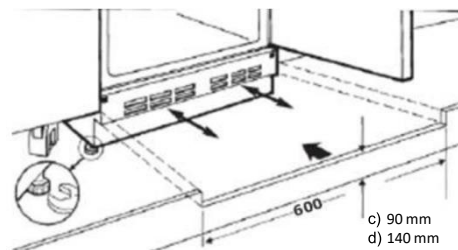
- o L'appareil doit être posé au niveau du sol. Vous pouvez utiliser les pieds de mise à niveau pour tenir compte des irrégularités mineures du sol.

#### Réglage de la plinthe/planche

Quand l'appareil a été placé sous le plan de travail, vous pouvez décider de fixer une plinthe ou une planche pour le coordonner à vos placards de cuisine existants.



- o Ôtez la grille sur la base de l'appareil en dévissant les vis de chaque côté de la grille puis en tirant la grille vers vous.



- o Utilisez une clé pour régler la hauteur des pieds de mise à niveau.
- o Si votre ouverture a une hauteur de 820 mm, les pieds de mise à niveau doivent être entièrement serrés.
- o Si votre ouverture a une hauteur de 870 mm, les pieds de mise à niveau doivent être réglés sur une hauteur de 50 mm.
- o L'appareil doit être aligné avec le dessous du plan de travail et doit être à niveau.

**IMPORTANT : si l'appareil n'est pas à niveau, cela affectera la porte et le joint de la porte.**

- o Il faut effectuer une découpe dans la plinthe/planche pour la ventilation. La découpe doit mesurer 600 mm de large et entre 140 mm et 90 mm de haut, en fonction de la hauteur à laquelle vous avez réglé votre appareil.
- o Introduisez la plinthe/planche puis remontez la grille à son emplacement d'origine pour la maintenir en place.

**IMPORTANT : veuillez noter comme cela est montré sur le dessin ci-dessus qu'une découpe pour la ventilation d'une taille appropriée DOIT être réalisée dans la plinthe/planche du meuble.**

### Montage de la porte du meuble sur l'appareil

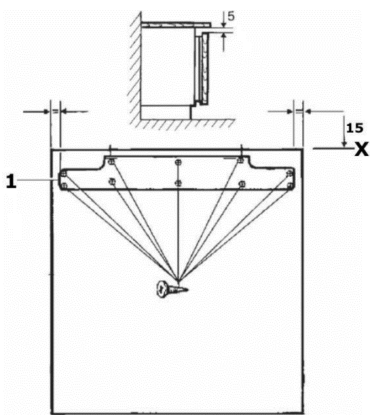
Si vous avez besoin que la porte de l'appareil s'ouvre de l'autre côté, inversez la porte avant de commencer le processus de montage. (Voir paragraphe "Inverser l'ouverture de la porte").

Outils nécessaires :

- o Mètre à ruban
- o Stylo pointu
- o Petit tournevis plat
- o Clé

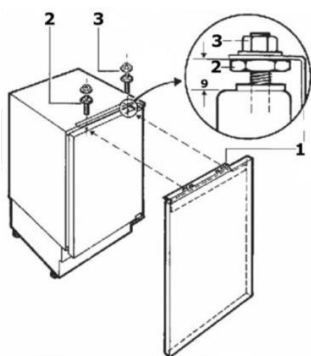
**IMPORTANT :** il est recommandé d'installer cet appareil à deux personnes.

1. Desserrez les vis des deux boulons de réglage qui sont situés sur le dessus de la porte de l'appareil puis ôtez l'étrier de montage (1).



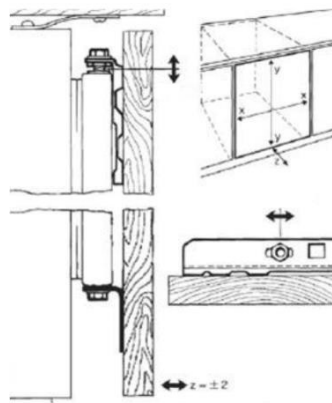
2. Mesurez la largeur de la porte du meuble, à mi-distance tracez une ligne verticale descendant jusqu'à la surface intérieure de la porte du meuble. Vous devez dessiner la ligne du haut de la porte du meuble jusqu'à mi-distance environ.

- o Placez l'étrier de montage (1) de l'autre côté de la porte du meuble.
- o Le milieu de l'étrier de montage doit être positionné sur la ligne que vous venez de tracer. Veuillez noter la position de l'étrier de montage dans le dessin ci-dessus pour être certain que vous l'avez placé correctement.
- o Le haut de l'étrier de montage doit être positionné à environ 15 mm du haut de la porte du meuble. Cela vous offrira un écart de 5 mm entre le haut de la porte du meuble et le dessous de votre plan de travail.
- o Fixez l'étrier de montage sur la porte du meuble avec les vis fournies et un tournevis cruciforme. Ces vis doivent être serrées à fond.

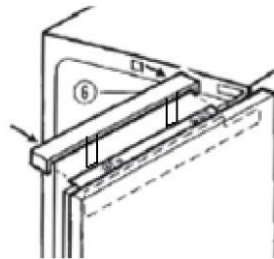


3. Suspendez la porte du meuble sur la porte de l'appareil, en vous assurant que les étriers sur l'étrier de montage sont situés par

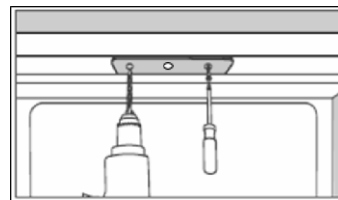
dessus les boulons de réglage.



4. Utilisez un tournevis pour régler l'écart entre la section du bas des vis de réglage. L'écart devrait être de 9 mm environ (comme cela est montré sur le dessin ci-dessus).
5. Fixez l'étrier inférieur sur le bas de la porte du meuble et sous la porte de l'appareil (comme cela est montré sur le dessin de la page précédente). Il est possible d'effectuer des réglages mineurs au niveau de la position de la porte du meuble au moyen des vis sur le haut et le bas de la porte de l'appareil. Vous devez effectuer ces réglages afin que la porte du meuble soit à niveau.



6. Introduisez la plaque de couverture sur le haut de l'appareil, elle se bloquera à son emplacement.



7. Ouvrez la porte de l'appareil.

- o Utilisez une pointe d'une taille adaptée pour percer à travers les trous de l'étrier dans le plan de travail. **IMPORTANT : la pointe doit être adaptée au matériau dans lequel le plan de travail est réalisé.**
- o Fixez l'étrier sur le dessous du plan de travail au moyen des vis fournies.

**IMPORTANT : ces vis doivent être serrées à fond.**

- o Si l'appareil est installé sous un plan de travail en granit, utilisez les étriers en L fournis pour fixer solidement le réfrigérateur au côté du placard. Utilisez une pointe d'une taille adaptée pour percer à travers les trois trous de l'étrier dans le côté du placard de l'autre côté des charnières.
- o Les trous ovales reposent sur les positions des charnières qui ne sont pas utilisées sur la façade de l'appareil. Utilisez deux vis pour fixer fermement l'étrier sur la façade de l'appareil.

Vérifiez que la porte s'ouvre et se ferme sans problème et contrôlez que la porte soit bien hermétiquement fermée.

## DEPANNAGE

**IMPORTANT : Si vous avez l'impression que votre congélateur ne fonctionne pas correctement, avant de contacter le service après-vente, veuillez consulter la liste de contrôle ci-dessous.**

**J'ai l'impression que mon congélateur ne fonctionne pas/que le courant n'arrive à mon appareil.**

- o Vérifiez que la fiche est entièrement enfoncée dans la prise de courant.
- o Vérifiez que votre circuit électrique est alimenté en courant (par ex. qu'il n'y a pas eu de coupure de courant ou qu'un fusible n'a pas sauté).
- o Contrôlez que le thermostat à l'intérieur de l'appareil n'a pas été tourné sur la position <0>.
- o Contrôlez que la tension de votre installation électrique correspond à la tension indiquée sur la plaque signalétique de votre appareil.

**Mon réfrigérateur semble mal fonctionner**

- o Contrôlez que l'appareil n'est pas surchargé et que les aliments ne sont pas trop serrés à l'intérieur.
- o Le réglage du thermostat est trop faible, vous devez tourner le thermostat sur une valeur plus haute.
- o Assurez-vous que la porte est fermée correctement et que la porte n'a pas été ouverte pendant un long moment par erreur.
- o Assurez-vous que la ventilation autour de votre appareil est adéquate.

**Mon réfrigérateur est bruyant**

- o Le gaz réfrigérant qui circule dans la tuyauterie de l'appareil peut faire un peu de bruit, même si le compresseur ne fonctionne pas.
- o Si le bruit empire ou que l'appareil devient plus bruyant que la normale, contrôlez qu'il est bien mis à niveau, que rien ne touche l'arrière du réfrigérateur et que rien n'est placé à l'intérieur de l'appareil en s'entrechoquant.

**De la glace s'est rapidement formée sur la paroi du fond à l'intérieur de mon congélateur**

Contrôlez que la nourriture n'a pas été poussée trop au fond à l'intérieur de l'appareil et ne se trouve pas au contact de la paroi du fond.

**IMPORTANT :** il est normal que des gouttelettes de glace se forment sur la paroi du fond de l'appareil. La formation de gouttelettes de glace n'indique pas une panne de l'appareil.

**NE TENTEZ PAS DE RÉPARER L'APPAREIL PAR VOUS-MÊME.**

Veuillez noter que si un technicien doit s'occuper du produit lorsque celui-ci est sous garantie et découvre que le problème n'est pas dû à une panne de l'appareil, les frais d'intervention seront à votre charge. **L'appareil doit être accessible afin que le technicien puisse effectuer toute réparation nécessaire. Si votre appareil est installé de telle manière que le technicien craint de provoquer des dégâts à l'appareil ou à votre cuisine, il n'effectuera pas la réparation. Cela comprend les situations où des appareils ont été recouverts de carreaux, hermétiquement fermés avec un produit scellant, ont des obstructions en bois placées sur la façade de l'appareil, comme des plinthes.**

Veuillez vous reporter aux conditions de garantie figurant sur la carte de garantie que vous avez reçue avec l'appareil.

## DISPONIBILITÉ DES PIÈCES DE RECHANGE

Les thermostats, les capteurs de température, les cartes de circuit imprimé et les sources lumineuses sont disponibles pour une période minimale de sept ans à compter de la mise sur le marché de la dernière unité du modèle;

Les poignées de porte, gonds de porte, plateaux et bacs, sont disponibles pour une période minimale de sept ans, et les joints de porte sont disponibles pour une période minimale de 10 ans à compter de la mise sur le marché de la dernière unité du modèle;

## ASSISTANCE TECHNIQUE

Pour contacter l'assistance technique, visitez notre site Internet: <https://corporate.haier-europe.com/en/> . Dans la section «websites», choisissez la marque de votre produit et votre pays. Vous serez redirigé vers le site Web spécifique où vous pouvez trouver le numéro de téléphone et le formulaire pour contacter l'assistance technique

Pour plus d'informations sur le produit, veuillez consulter <https://eprel.ec.europa.eu/> ou scannez le QR sur l'étiquette énergétique fournie avec l'appareil



## Español

Gracias por comprar este producto.

Antes de utilizar el frigorífico, lea con atención el manual de instrucciones para aprovechar al máximo sus prestaciones. Guarde toda la documentación para utilizarla más adelante o para otros propietarios. Este producto es para uso doméstico o para aplicaciones similares exclusivamente; por ejemplo:

- Cocina para el personal de tiendas, oficinas y otros lugares de trabajo
- Fincas rústicas, clientes de hoteles, moteles y otros entornos residenciales
- Habitaciones de huéspedes (Bed and Breakfasts)
- Servicios de catering y aplicaciones similares no destinadas a la venta al por menor

Este electrodoméstico solo debe utilizarse para conservar alimentos, cualquier otro uso se considera peligroso y el fabricante no se responsabilizará cuando se incumplan las instrucciones. Asimismo, se recomienda tomar nota de las condiciones de la garantía.

## INFORMACIÓN DE SEGURIDAD

¡Lea atentamente las instrucciones de funcionamiento e instalación! Contienen información importante sobre cómo instalar, utilizar y mantener este electrodoméstico. El fabricante no se hace responsable si no cumple las instrucciones y advertencias. Guarde todos los documentos para consultas o propietarios futuros."

- **No conecte el electrodoméstico a la red eléctrica hasta retirar por completo todos los embalajes y protectores para el transporte. Mantenga a los niños alejados del embalaje y de sus partes. ¡ Los cartones plegables y el film plástico suponen un peligro de asfixia!"**
- **Si el electrodoméstico se ha transportado en horizontal, espere al menos 4 horas antes de encenderlo para que el aceite del compresor se asiente.**
- **Cuando reciba el electrodoméstico, compruebe que no está dañado y que todos los componentes y accesorios se encuentran en perfecto estado.**
- **No dañe el circuito de refrigerante.**
- **Mantenga despejadas las ranuras de ventilación de la**

**carcasa del electrodoméstico o de la estructura integrada.**

- **No utilice agua para limpiar la zona del compresor; pase meticulosamente un trapo seco después de limpiar para evitar que se oxide.**
- **Este electrodoméstico es pesado: manipúlelo con la ayuda de otra persona.**
- **Instale y nivele el electrodoméstico en un área adecuada para su tamaño y uso.**
- **Asegúrese de que la información eléctrica de la etiqueta de características coincida con la fuente de alimentación. Si no es así, póngase en contacto con un electricista.**
- **Este electrodoméstico funciona mediante una fuente de alimentación de 220-240 V CA/50 Hz. Una fluctuación anormal del voltaje puede provocar que el electrodoméstico no se ponga en marcha, o que se dañe el control de temperatura o el compresor, o que se oiga un ruido anormal durante el funcionamiento. En tal caso, se deberá instalar un regulador automático.**
- **Solo para el Reino Unido: El cable de alimentación de este electrodoméstico está equipado con un enchufe de 3 cables (a tierra) que se ajusta a una toma de corriente estándar de 3 cables (a tierra). No corte ni desmonte la tercera patilla (toma de tierra). Una vez instalado el electrodoméstico, el enchufe debe ser accesible.**
- **Asegúrese de que el cable eléctrico no quede atrapado debajo el electrodoméstico durante y después de su transporte/traslado para evitar cortes o daños en el cable. Para evitar**

- riesgos, el fabricante, su representante de servicio o cualquier otra persona cualificada deben cambiar cualquier cable de alimentación que esté dañado
- No instale el electrodoméstico en lugares húmedos, con grasa o polvo, ni lo exponga a la luz solar directa y al agua.
  - No instale el electrodoméstico cerca de calentadores o materiales inflamables.
  - PARA electrodomésticos con compartimento congelador: en caso de corte del suministro eléctrico, no abra la puerta. Los alimentos congelados no deben verse afectados si el corte dura menos que las horas indicadas en la etiqueta de valores máximos (tiempo de aumento de la temperatura). Si el corte se prolonga durante más tiempo, deberá procederse a la comprobación de los alimentos y consumirse de inmediato; también se pueden cocinar y volver a congelar.
  - Si le resulta difícil abrir la puerta del electrodoméstico justo después de cerrarla, no se preocupe. Esto se debe a la diferencia de presión que deberá equalizarse para permitir que la puerta vuelva a abrirse normalmente transcurridos unos minutos.
  - No almacene medicamentos, bacterias ni agentes químicos en el electrodoméstico. Este aparato es un electrodoméstico: no se recomienda almacenar materiales que requieran temperaturas extremas.
  - No tire del cable ni doble demasiado; tampoco debe tocar el enchufe con las manos mojadas.
  - No almacene productos que contengan propelentes inflamables (p.ej.: aerosoles) o sustancias explosivas en el electrodoméstico. ¡ Peligro de explosión!
  - No coloque artículos inestables (objetos pesados, recipientes llenos de agua) en la parte superior del frigorífico, a fin de evitar lesiones personales causadas por caídas o descargas eléctricas causadas por el contacto con el agua.
  - No utilice aparatos eléctricos dentro de los compartimentos para la conservación de alimentos del electrodoméstico, a menos que sean del tipo que recomienda el fabricante.
  - Para evitar cortes o lesiones, no toque los elementos internos de refrigeración, sobre todo con las manos húmedas.
  - Aquí están en riesgo los niños, las personas con capacidades físicas, mentales o sensoriales limitadas y las personas con conocimientos inadecuados sobre el funcionamiento seguro de este electrodoméstico. Compruebe que los niños y las personas vulnerables hayan entendido los riesgos. Una persona responsable de la seguridad debe supervisar o instruir a los niños y a las personas vulnerables que utilicen este electrodoméstico. Solo los niños mayores de 8 años pueden usar este electrodoméstico.
  - Los niños no deben jugar con el electrodoméstico
  - Está permitido que los niños de 3 a 8 años de edad carguen o descarguen este aparato.

- **PARA electrodomésticos con compartimento congelador:** no almacene líquidos embotellados o enlatados (especialmente bebidas carbonatadas) en el congelador. ¡Las botellas y latas pueden explotar!
- **PARA electrodomésticos con compartimento congelador:** nunca se ponga alimentos congelados en la boca directamente desde el congelador. ¡ Peligro de quemaduras por baja temperatura!
- Mantenga las piezas de plástico y la junta de la puerta limpias de aceite y grasa. De lo contrario, las partes plásticas y la junta de la puerta se volverán porosas.
- Antes de realizar cualquier operación, desconecte el cable eléctrico de la toma de corriente.
- No utilice aparatos mecánicos ni otros medios para acelerar el proceso de descongelación y siga las recomendaciones del fabricante.
- No utilice objetos afilados o puntiagudos, como cuchillos o tenedores, para quitar el hielo. Nunca utilice secadores de pelo, calentadores eléctricos u otros aparatos eléctricos para descongelar el electrodoméstico.
- Se recomienda mantener limpio el enchufe. Cualquier acumulación excesiva de polvo en el enchufe podría originar un incendio.
- No intente reparar, desmontar o modificar este electrodoméstico por su cuenta. En caso de necesitar reparación, póngase siempre en contacto con nuestro servicio de atención al cliente.
- Supervise a los niños mientras se realizan tareas de limpieza o mantenimiento en el electrodoméstico.
- No limpie los estantes de cristal fríos con agua caliente. El cambio repentino de temperatura puede causar que el vidrio se rompa.
- **ADVERTENCIA:** Los tubos del circuito de refrigeración transportan una pequeña cantidad de refrigerante ecológico pero inflamable (R600a) y gas aislante (ciclopentano). No daña la capa de ozono y no aumenta el efecto invernadero. Si se producen fugas de refrigerante, este puede causar lesiones en los ojos o inflamarse.
- En caso de producirse daños en el circuito de refrigerante:
  - Apague el electrodoméstico y desenchúfelo de la red eléctrica.
  - Mantenga las llamas abiertas y/o las fuentes de ignición alejadas del electrodoméstico.
  - Ventile la habitación durante varios minutos.
  - Informe al servicio de atención al cliente.
- **ADVERTENCIA:** No dañe el enchufe o el cable de alimentación; esto podría provocar incendios o descargas eléctricas.
- **ADVERTENCIA:** No utilice tomas de corriente múltiples portátiles ni fuentes de alimentación portátiles. No recomendamos el uso de cables prolongadores ni adaptadores con varias tomas.
- No intente sentarse o ponerse de pie en la parte superior del electrodoméstico. Esto podría dañarlo o sufrir lesiones personales.

Este electrodoméstico no se puede instalar apilado sobre otro.

- El electrodoméstico es un producto diseñado y fabricado para el uso doméstico.
- Solo pueden usarse piezas originales suministradas por el fabricante. El fabricante garantiza que solo estas piezas cumplen los requisitos de seguridad.
- Abrir la puerta durante un tiempo prolongado puede provocar un aumento significativo de la temperatura en los compartimentos del electrodoméstico
- Limpie regularmente las superficies que puedan entrar en contacto con alimentos y sistemas de drenaje accesibles
- Limpie los depósitos de agua si no se han utilizado durante 48 horas. Enjuague el sistema de agua conectado al suministro de agua si no se ha extraído agua durante 5 días
- Guarde la carne y el pescado crudos en recipientes adecuados en el frigorífico, para evitar que entren en contacto con otros alimentos o goteen sobre ellos
- Los compartimentos de congelación de dos estrellas (si el aparato dispone de ellos) son adecuados para conservar alimentos precongelados, guardar o hacer helados y producir cubitos de hielo
- Los compartimentos de una, dos y tres estrellas (si el aparato dispone de ellos) no son adecuados para congelar alimentos frescos

- Para evitar la aparición de moho, el aparato se debe apagar, descongelar, limpiar y secar, además de dejar la puerta abierta, cuando vaya a permanecer vacío durante largos periodos de tiempo
- En el caso de los armarios para la conservación de vinos: Aparato destinado a utilizarse exclusivamente para la conservación de vinos
- En el caso de los aparatos de libre instalación: Este aparato no está destinado a utilizarse como aparato encastrable
- En el caso de los aparatos sin compartimento de cuatro estrellas: Este aparato no es adecuado para la congelación de productos alimenticios

#### Desguace de electrodomésticos antiguos



Este electrodoméstico tiene la marca de conformidad con la Directiva europea 2012/19/UE sobre residuos de aparatos eléctricos y electrónicos (RAEE).


Los RAEE contienen sustancias contaminantes (que pueden tener consecuencias negativas para el medio ambiente) y componentes básicos (que pueden reutilizarse). Es importante someter los RAEE a procedimientos específicos para eliminar y desechar de manera correcta todos los contaminantes, además de recuperar y reciclar todos los materiales.

Todos personalmente somos importantes cuando se trata de garantizar que los RAEE no se conviertan en un problema ambiental. Para esto, es fundamental respetar algunas reglas básicas:

- Los RAEE no deben tratarse como residuos domésticos.
- Los RAEE deben entregarse en los puntos de recogida pertinentes que gestionan los municipios o las empresas autorizadas. En algunos países existe un servicio de recogida de RAEE de gran tamaño.

En muchos países se puede entregar el electrodoméstico antiguo al comprar otro nuevo en el establecimiento, que deberá recogerlo de forma gratuita siempre que se trate de un aparato equivalente y que tenga las mismas funciones que el suministrado.

#### Conformidad

Al colocar la marca  en este producto, declaramos, bajo nuestra propia responsabilidad, el cumplimiento de todos los requisitos europeos en términos de seguridad, salud y medio ambiente, establecidos en la legislación para este producto.

## Garantía

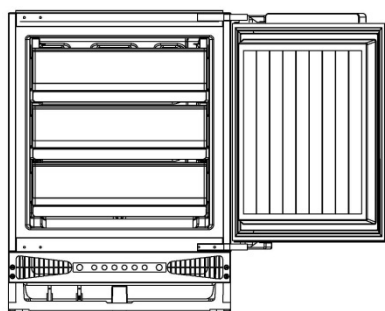
La garantía mínima es: 2 años para los países de la UE, 3 años para Turquía, 1 año para el Reino Unido, 1 año para Rusia, 3 años para Suecia, 2 años para Serbia, 5 años para Noruega, 1 año para Marruecos y 6 meses para Argelia. En Túnez no se requiere garantía legal.

## Ahorro energético

Para ahorrar más energía, recomendamos lo siguiente:

- Instale el electrodoméstico en un lugar con buena ventilación, que esté lejos de fuentes de calor y no quede expuesto a la luz solar directa.
- Procure no guardar alimentos calientes en el frigorífico para evitar que la temperatura interior aumente y el compresor funcione de manera continua.
- No introduzca demasiados alimentos para garantizar una circulación de aire adecuada.
- Descongele el electrodoméstico si tiene hielo para facilitar la transferencia del frío.
- Si se corta la corriente eléctrica, es aconsejable mantener las puertas del frigorífico cerradas.
- Abra las puertas o manténgalas abiertas lo menos posible.
- Evite ajustar temperaturas demasiado bajas.
- Elimine el polvo de la parte trasera del electrodoméstico.

## DESCRIPCIÓN DEL ELECTRODOMÉSTICO



### NOTA:

La imagen es orientativa y puede no corresponder a su producto.

La configuración que ahorra más energía requiere colocar cajones, fiambreras y estantes en el producto. Consulta las imágenes anteriores.

## USO DE CONGELADOR

### Antes del encendido


- o Asegúrese de que una persona cualificada proceda a su instalación, según la información contenida en las instrucciones de instalación del producto.
- o Después de su recepción, espere durante ocho horas antes de conectar el electrodoméstico a la red eléctrica. Esto permitirá que los gases refrigerantes que puedan haber sufrido alteraciones durante el proceso de transporte se estabilicen de nuevo.
- o Limpie el exterior del electrodoméstico y los accesorios extraíbles contenidos en su interior con una solución de detergente líquido y agua.
- o Limpie el interior del electrodoméstico con una solución de bicarbonato de sodio disuelto en agua tibia. Seque completamente el interior y los accesorios al terminar la limpieza.
- o Puede que perciba un cierto olor la primera vez que encienda el electrodoméstico. Este disminuirá a medida que el electrodoméstico empiece a enfriar.


### Durante el primer uso

- o Deje ajustar el termostato en su valor máximo durante las 24 horas siguientes al primer encendido del aparato.
- o La primera vez que encienda este electrodoméstico, el compresor funcionará continuamente durante aproximadamente 24 horas o hasta que el congelador alcance una temperatura lo suficientemente fría.
- o Durante este periodo de tiempo, trate de no abrir la puerta con frecuencia y de no guardar grandes cantidades de alimentos en su interior.
- o A continuación, debe ajustar el termostato en su posición de funcionamiento normal.
- o Si el electrodoméstico se apaga o desenchufa, espere al menos 5 minutos antes de volver a ponerlo en marcha con el termostato o conectarlo a la red eléctrica.

## Encendido del frigorífico


El frigorífico ofrece un total de 6 ajustes de temperatura. Después de conectarse a la fuente de alimentación, el frigorífico se configurará en el ajuste 3, que es la configuración predeterminada.

Botón «»: situado en el lado derecho, sirve para encender/apagar el frigorífico pulsando la tecla 3 s.

Botón «»: situado en el lado izquierdo, sirve para regular los ajustes de temperatura del frigorífico.



Ajuste de la temperatura:

La temperatura dentro del frigorífico se ajusta pulsando el botón «» de la izquierda. Al pulsar el botón, los ajustes de 1 a 5 representan diferentes temperaturas, desde la más alta hasta la más baja.

«❄» indica la función de supercongelación. Pulse el botón «⏸» en modo continuo y seleccione la función de supercongelación. Cuando se activa, se ilumina el símbolo de supercongelación. El período de supercongelación durará 24 horas, entonces se apagará automáticamente y se restaurará el ajuste anterior del termostato.

Posición	Condiciones
1-2	Temperatura de verano o ambiente comprendida entre 25 y 35 °C
3-4	Temperatura de primavera, otoño o ambiente comprendida entre 15 y 25 °C
4-5	Temperatura de invierno o ambiente comprendida entre 5 y 15 °C
Función de súper congelación	Congelación rápida

**Advertencia:** Al realizarse los ajustes de temperatura, deberá pasar algún tiempo antes de que el frigorífico alcance el nivel ajustado. Este tiempo dependerá de la diferencia entre la temperatura existente y la temperatura ajustada, la temperatura ambiente y la frecuencia con la que se abre y cierra la puerta, además de la cantidad de alimentos presente en el frigorífico.

#### El compartimento del congelador

- La temperatura del compartimento de congelación debe presentar una temperatura mínima de -18 °C antes de guardar en su interior alimentos ya congelados o frescos.
- El compartimento del congelador solo puede congelar una cantidad determinada de alimentos al mismo tiempo. No debería intentar congelar más de 4,5 kg de alimentos frescos en un plazo de 24 horas.
- Antes de proceder a su congelación, deje enfriar los alimentos calientes. Si coloca alimentos calientes en el congelador, el aumento de la humedad puede acelerar la formación de hielo y aumentar la cantidad de potencia de la que hace uso el electrodoméstico.
- Siga las directrices de los fabricantes de alimentos en relación con los tiempos máximos de conservación.
- No vuelva a congelar alimentos descongelados previamente.
- No abra la puerta del congelador con demasiada frecuencia ni deje la puerta abierta durante periodos largos de tiempo: esto aumentará la temperatura en el interior del electrodoméstico e incrementará el consumo energético.

Compartimentos del frigorífico	Tipo de alimento
Cajones del congelador/ bandeja	Alimentos para almacenamiento a largo plazo. Cajón inferior para carne cruda, aves de corral y pescado. Cajón central para verduras congeladas y patatas fritas. Bandeja superior para helado, fruta congelada y productos horneados congelados.

#### Sugerencias para la congelación de alimentos

- Use bolsas de congelación, films de polietileno, papel de aluminio (muy grueso) y recipientes especiales para alimentos congelados para guardar los alimentos congelados.
- Puede usar cinta, gomas de caucho o pinzas de plástico para sellar bolsas y envoltorios.
- Antes de sellar una bolsa de congelación, intente extraer todo el aire posible para favorecer la congelación del contenido.
- Los envases planos se congelan con mayor facilidad.
- Si desea congelar un líquido, no llene el recipiente hasta el borde.

Los líquidos aumentan de tamaño al congelarse.

- Para alimentos congelados, consulte el tiempo de almacenamiento escrito en el envase de los alimentos. Este tiempo de almacenamiento se consigue siempre que el ajuste respete las temperaturas de referencia del compartimento (una estrella -6 ° C, dos estrellas -12 ° C, tres estrellas -18 ° C).

**No introduzca botellas (de vidrio o metal) con líquidos (en especial, líquidos efervescentes) en el congelador, pues podrían reventar al congelarse.**

#### Fabricación de cubitos de hielo

- Llene la bandeja para hielos con agua e introdúzcala en el congelador.
- Cuando el agua se haya congelado por completo, retuerza la bandeja (tal y como se indica en el dibujo siguiente) para extraer los cubitos de hielo.

#### MEDIDAS DE AHORRO ENERGÉTICO PARA CONGELADOR

##### Instalación:

- Instale el electrodoméstico en un lugar fresco. Si se coloca bajo la luz directa del sol o junto a un horno u otra fuente de calor, el consumo energético puede aumentar de manera significativa.
- Asegúrese de que el electrodoméstico se instala con la ventilación adecuada. Restringir la ventilación puede aumentar el consumo energético en un 15 %.

##### Limpieza y mantenimiento:

- Limpie periódicamente las resistencias del condensador (en caso de estar presentes) situadas en la parte posterior del electrodoméstico para mantener un nivel de rendimiento elevado.
- Descongele el electrodoméstico de forma periódica. La acumulación de una capa gruesa de hielo reduce el rendimiento del electrodoméstico. Cuando el grosor de la escarcha alcanza los 5 mm, debe proceder a una descongelación.
- Limpie la junta de la puerta con agua tibia o un detergente neutro que no deje restos. Una junta perfectamente hermética resulta clave para la rendimiento de su electrodoméstico.

##### Uso:

- No abra la puerta de forma reiterada o con más frecuencia de la necesaria.
- No ajuste el termostato en un valor demasiado bajo. Un cambio de tan solo 1 grado puede afectar al consumo energético en un 5 %. Use un termómetro para controlar la temperatura.
- El congelador debería funcionar a una temperatura comprendida entre -15 y -18 °C.
- Deje enfriar los alimentos antes de introducirlos en el electrodoméstico (pero no los deje reposar a temperatura ambiente durante demasiado tiempo).
- En el congelador, los envases con alimentos deben estar desperdigados, nunca agrupados o apilados todos juntos, hasta que se congelen por completo.
- Si se va a ausentar durante un largo período de tiempo, apague el electrodoméstico, retire todos los alimentos, lleve a cabo una limpieza del mismo y deje la puerta abierta.
- Si dispone de un segundo electrodoméstico fuera de uso, asegúrese de que permanezca desenchufado y con la puerta abierta hasta que sea necesario utilizarlo.

##### Eliminación:

- Si va a descartar su frigorífico antiguo, compruebe si existe un centro de reciclaje de clorofluorocarbonos (CFC) en su zona. Las autoridades locales encargadas de la política de reciclaje podrán ayudarle en este sentido.

## LIMPIEZA Y MANTENIMIENTO

PRECAUCIÓN: ASEGÚRESE DE QUE EL ELECTRODOMÉSTICO ESTÉ DESCONECTADO DE LA RED ELÉCTRICA ANTES DE LIMPIARLO.

- o No limpie este electrodoméstico vertiendo o pulverizando agua sobre el mismo.
- o Limpie periódicamente congelador con una solución de bicarbonato de sodio y agua tibia.
- o Limpie los accesorios por separado con agua y jabón. No los lave en el lavavajillas.
- o No utilice detergentes, jabones ni productos abrasivos.
- o Después del lavado, pase un paño húmedo sobre el área limpia y luego séquela completamente.
- o Cuando haya completado la limpieza, séquese las manos y luego vuelva a conectar el enchufe a la red eléctrica.

### Descongelación del compartimento del congelador

Debe proceder a retirar periódicamente la escarcha que se acumula en el interior del congelador. Puede usar un raspador de plástico para limitar la acumulación de escarcha.

**IMPORTANTE: El congelador debe descongelarse, al menos, dos veces al año. El número de veces que deba descongelarlo dependerá del ajuste del termostato y de la cantidad de alimentos que congela y conserva en el congelador.**

- o El día anterior a la descongelación, ajuste el termostato en la posición <5>, para garantizar que los alimentos presentes en el congelador están totalmente congelados.
- o Mientras procede a la descongelación del aparato, conserve los alimentos congelados envueltos en varias capas de papel y en un lugar fresco. Los cambios de temperatura en los alimentos reducen su caducidad y, por tanto, implica que deban consumirse en periodos de tiempo relativamente más cortos.

### NO VUELVA A INTRODUCIR EN EL CONGELADOR ALIMENTOS EN PROCESO DE DESCONGELACIÓN.

- o Ajuste el termostato en la posición <0> y desenchufe el electrodoméstico de la red eléctrica.
- o Deje la puerta del congelador abierta. Puede colocar un cuenco de agua caliente en el interior del congelador para acelerar el proceso de descongelación.
- o Puede usar una esponja para secar el agua de descongelación que se vaya acumulando en el fondo del congelador.

**IMPORTANTE: Coloque algunas toallas viejas en el suelo, justo delante del electrodoméstico. Para secar el agua de descongelación que pudiera salir del congelador y derramarse sobre el suelo.**

- o Cuando se haya eliminado por completo todo el hielo acumulado, proceda a secar bien el interior del congelador. Si no realiza este paso correctamente, volverá a acumularse hielo en cuanto se vuelva a poner el electrodoméstico en marcha.
- o Con las manos secas, vuelva a enchufar el electrodoméstico a la red eléctrica. Ajuste el termostato en la posición <5> durante 24 horas, antes de volver a posicionarlo en el valor <3>.
- o No introduzca alimentos frescos en el congelador hasta que haya transcurrido este periodo de 24 horas.

**No descongele el electrodoméstico con ayuda de otros dispositivos eléctricos (por ejemplo, secadores de pelo). No use objetos metálicos afilados para retirar el hielo del congelador; puede provocar daños en el sistema de refrigeración.**

## INSTALACIÓN

**IMPORTANTE: Lea todas las instrucciones antes de instalar y usar este producto y asegúrese de que la tensión (V) y la frecuencia (Hz) indicadas en las características técnicas son exactamente las mismas que las de su hogar. La placa de datos con las características técnicas se puede encontrar en el borde frontal izquierdo del interior del frigorífico.**

El fabricante declina toda responsabilidad en caso de que el instalador no observe todas las normas de prevención de accidentes en vigor, necesarias para el uso normal y el funcionamiento regular del sistema eléctrico.

### Conexión eléctrica

### SU CONGELADOR HA SIDO DISEÑADO PARA UNA INSTALACIÓN DE ENCASTRE PERMANENTE.

Recomendamos que lo conecte un electricista cualificado, miembro de la N.I.C.E.I.C. y que cumpla las normativas I.E.E. y locales.

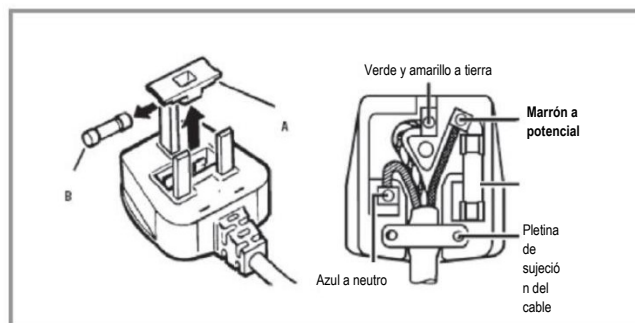
- o Su congelador viene equipado con un enchufe de 13 amperios. Si en el futuro necesitara cambiar el fusible de este enchufe, debe utilizar un fusible de 13 amperios aprobado por ASTA (especificación BS 1362).
- o El cable de alimentación presenta los colores siguientes:  
**Marrón** (potencial)  
**Azul** (neutro)  
**Verde y amarillo** (tierra)
- o Puesto que es posible que los colores de los cables que componen el cable de alimentación del electrodoméstico no se correspondan con los colores de los terminales de la caja de conexiones, siga el procedimiento siguiente:

El **cable marrón** debe conectarse al terminal marcado con la letra L (live/potencial) o de color **rojo**.

El **cable azul** debe conectarse al terminal marcado con la letra N (neutro) o de color **negro**.

El cable **verde y amarillo** debe conectarse al terminal marcado con la letra E (earth/tierra), con el símbolo de toma de tierra o de color **verde y amarillo**.

- o Una vez finalizada la conexión, no deben quedar hilos sueltos ni cortados. La pletina de sujeción debe fijarse sobre el revestimiento exterior del cable.



### Ubicación

- o Se aconseja instalar este electrodoméstico únicamente en un lugar donde la temperatura ambiente de la habitación se corresponda con la clase climática indicada en la placa de datos del aparato. El electrodoméstico puede no funcionar correctamente si la temperatura ambiente está fuera de los rangos siguientes.
  - templada extendida (SN): «Aparato de refrigeración destinado a utilizarse a temperaturas ambiente de entre 10 ° C y 32 ° C»;
  - templada extendida (SN): «Aparato de refrigeración destinado a utilizarse a temperaturas ambiente de entre 10 ° C y 32 ° C»;
  - Subtropical (ST): «Aparato de refrigeración destinado a utilizarse a temperaturas ambiente de entre 16 ° C y 38 ° C»;
  - Tropical (T): «Aparato de refrigeración destinado a utilizarse a temperaturas ambiente de entre 16 ° C y 43 ° C».
- o El electrodoméstico no debe ubicarse en un lugar donde quede expuesto a la luz solar directa, a un calor continuo o a temperaturas extremas (por ejemplo, al lado de un radiador o de la caldera).

- o La puerta debe disponer de espacio suficiente para abrirse por completo y sin restricciones.
- o El electrodoméstico debe colocarse de tal forma que permita el acceso fácil a los alimentos que se conservan en su interior.
- o Compruebe si hay una toma de corriente disponible que sea accesible después de instalar el electrodoméstico.

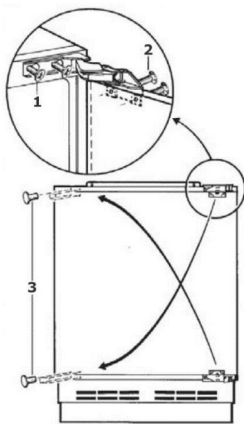
#### Invertir la puerta del electrodoméstico

Este procedimiento DEBE llevarse a cabo antes de panelar la puerta del electrodoméstico. Guarde todas las piezas que extraiga mientras revierte la puerta para su posterior uso.

**ADVERTENCIA: Tenga cuidado al abrir las bisagras; llevan un mecanismo de resorte que pueden provocar lesiones si se cierran sobre su mano.**

Herramientas necesarias:

- o Destornillador Phillips
- o Destornillador plano



- o Afloje los tornillos de sujeción **(1)** en el electrodoméstico y, seguidamente, retire con cuidado la puerta.
- o Coloque la puerta del electrodoméstico sobre una superficie acolchada, para que no sufra daños.
- o Retire las tapas **(3)**.
- o Inserte los tornillos de sujeción **(1)** en el lado contrario del electrodoméstico respecto a su posición original. Apriete estos tornillos solo parcialmente.
- o Retire los tornillos de sujeción de la puerta **(2)** e invierta la posición de la bisagra superior e inferior (como se indica en el diagrama superior).
- o Vuelva a colocar la puerta del electrodoméstico y, seguidamente, vuelva a apretar por completo los tornillos de sujeción **(1)** y los tornillos de sujeción de la puerta **(2)**.
- o Inserte las tapas **(3)** en los orificios que ahora aparecen expuestos en el lado derecho del electrodoméstico.

**IMPORTANTE: Después de invertir la puerta, compruebe que esta se abre y se cierra correctamente, sin torcerse.**

**Compruebe también la junta de la puerta del electrodoméstico. La junta no debe estar doblada ni aplastada, de lo contrario habrá un espacio entre ella y el interior de la puerta.**

- o La junta debe adherirse de forma adecuada y completa en todo el perímetro de la puerta.
  - o Si la junta no se adhiere correctamente al electrodoméstico, proceda del modo siguiente
1. Utilice un paño humedecido con agua caliente y manipule la junta hasta que se adhiera de forma adecuada y completa en todo el perímetro de la puerta.

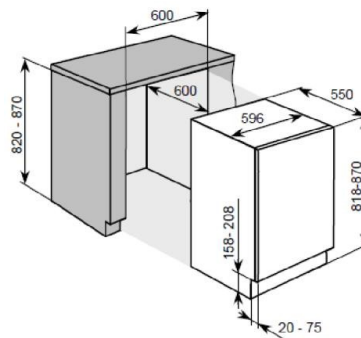
0

2. Use un secador de pelo en su potencia más baja y caliente un poco las zonas de la junta de la puerta que no se adhieran correctamente. El calor hará que la junta se vuelva más maleable y esto le permitirá colocarla en la posición correcta.

**IMPORTANTE: NO CALIENTE LA JUNTA DE LA PUERTA DURANTE MUCHO TIEMPO O A UNA INTENSIDAD SUPERIOR A LA POTENCIA MÁS BAJA. DE OTRO MODO PODRÍA DAÑAR LA JUNTA DE LA PUERTA, QUE NO PODRÁ SUSTITUIRSE GRATUITAMENTE CON LA GARANTÍA**

#### Rangos de apertura

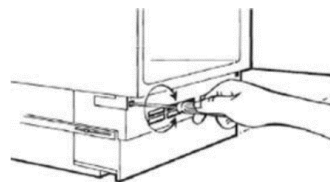
El diagrama siguiente muestra los rangos de apertura que necesitará para poder instalar el electrodoméstico.



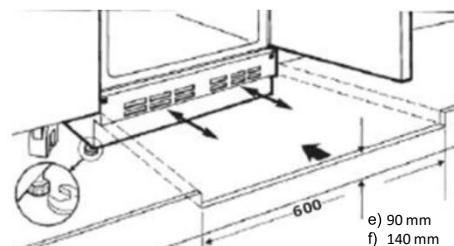
- o El electrodoméstico debería instalarse nivelado sobre el suelo. Puede usar las patas de nivelación para compensar pequeñas irregularidades del suelo.

#### Ajuste de la base/el zócalo

Cuando el electrodoméstico se instala debajo de una encimera, es posible que dese instalar una base o un zócalo a juego con sus armarios de cocina existentes.



- o Retire la rejilla en la base del electrodoméstico desenroscando los tornillos situados a ambos lados de la misma y tire de ella hacia usted.
- o Use una llave inglesa para ajustar las patas regulables en altura.



- o Si el hueco tiene 820 mm de alto, las patas ajustables deben apretarse por completo.
- o Si el hueco tiene 870 mm de alto, las patas deben ajustarse en una altura de 50 mm.
- o El electrodoméstico debe instalarse a paño respecto a la parte inferior de la encimera y debe estar perfectamente nivelado.



**IMPORTANTE:** Si el electrodoméstico no está nivelado, tanto la junta de la puerta como la puerta se pueden ver afectadas.

- o Debe realizar un corte en la base/el zócalo para garantizar una ventilación adecuada. El corte debería medir 600 mm de ancho y, entre 140 mm y 90 mm de altura, dependiendo de la altura a la que haya colocado su electrodoméstico.
- o Inserte la base/el zócalo y vuelva a ajustar la rejilla en su posición original para mantenerla en posición.

**IMPORTANTE:** Tenga en cuenta que, tal y como se indica en el diagrama anterior, **DEBE** recortarse una ventilación de tamaño adecuado en la base/el zócalo del mueble.

### Ajustar la puerta del mueble al electrodoméstico

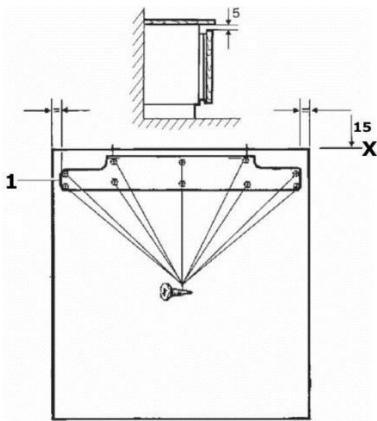
Si necesita que la puerta del electrodoméstico abra desde el otro lado, invierta la posición de la puerta antes de iniciar el proceso de instalación. (Véase el apartado «Inversión de la puerta»).

Herramientas necesarias:

- o Metro
- o Lápiz afilado
- o Destornillador plano pequeño
- o Llave inglesa

**IMPORTANTE:** Se recomienda que dos personas lleven a cabo la instalación de este electrodoméstico.

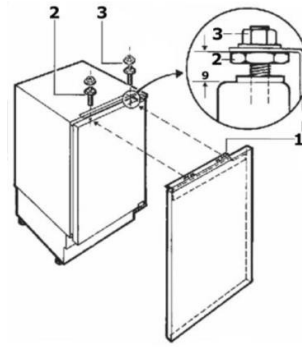
1. Afloje los tornillos desde los dos pernos de ajuste situados en la parte superior de la puerta del electrodoméstico y proceda a retirar la placa de montaje (1).



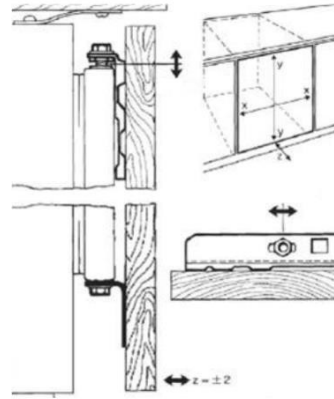
2. Mida el ancho de la puerta del mueble y trace una línea vertical en el centro de la superficie interior de la misma. Debe trazar la línea desde la parte superior de la puerta del mueble hasta aproximadamente la mitad.

- o Coloque la placa de montaje (1) en el dorso de la puerta del mueble.
- o El centro de la placa de montaje debe posicionarse sobre la línea que acaba de trazar. Preste atención a la posición de la placa de montaje en el diagrama anterior para garantizar que coloca la placa de montaje correctamente (cara correcta).
- o La parte superior de la placa de montaje debe colocarse aproximadamente a 15 mm de la parte superior de la puerta del mueble. De este modo, quedará un hueco de 5 mm entre la parte superior de la puerta del mueble y la parte inferior de la encimera.
- o Fije la placa de montaje a la puerta del mueble usando los tornillos incluidos y un destornillador Phillips. Apriete estos tornillos por completo.

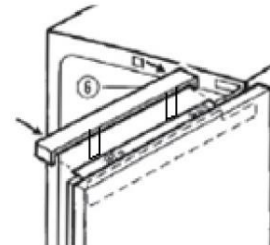
3. Cuelgue la puerta del mueble en la puerta del electrodoméstico, asegurándose de que los herrajes de la placa de montaje se enganchen en los pernos de



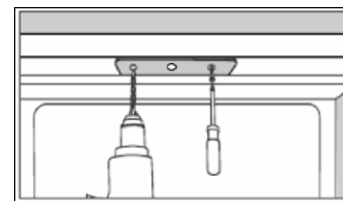
ajuste.



4. Use un destornillador para ajustar el hueco en la parte inferior de los pernos de ajuste. El hueco debe medir aproximadamente 9 mm (tal y como se indica en el diagrama anterior).
5. Fije el herraje inferior al fondo de la puerta del mueble y a la parte inferior de la puerta del electrodoméstico (tal y como se indica en el diagrama de la página anterior).
  - o Es posible realizar pequeños ajustes en la posición de la puerta del mueble usando los tornillos situados en la parte superior e inferior de la puerta del electrodoméstico. Debe realizar estos ajustes para garantizar que la puerta del mueble quede nivelada.



6. Inserte la cubierta en la parte superior del electrodoméstico (se escuchará un clic).



7. Abra la puerta del electrodoméstico.

- o Use una broca adecuada para taladrar unos orificios en la placa de montaje hasta la encimera. **IMPORTANTE:** La broca debe adaptarse al material en el que está fabricada su encimera.
- o Asegure la placa de montaje a la parte inferior de la encimera con los tornillos incluidos. **IMPORTANTE:** Apriete estos tornillos por completo.
- o Si el electrodoméstico se instala debajo de una encimera de granito, use las escuadras suministradas para fijar el frigorífico al lateral del armario. Use una broca adecuada para taladrar tres orificios en la escuadra hasta el lateral del armario, en el lado opuesto a las bisagras.

- o Los orificios ovalados cubren las posiciones de las bisagras no utilizadas en la parte frontal del electrodoméstico. Use dos tornillos para fijar la escuadra a la parte frontal del electrodoméstico.

Compruebe que la puerta se abre y se cierra sin fricciones; compruebe también que la junta de la puerta se cierra de manera hermética.

## SOLUCIÓN DE PROBLEMAS

**IMPORTANTE:** Consulte la lista siguiente antes de ponerse en contacto con el Departamento de Atención al Cliente si cree que su congelador no funciona correctamente.

### **Mi congelador parece no funcionar/mi electrodoméstico no recibe alimentación.**

- o Compruebe que el enchufe del electrodoméstico se encuentra correctamente conectado a la red eléctrica.
- o Compruebe que existe suministro eléctrico (es decir, que no se ha producido un corte eléctrico o se ha fundido un fusible).
- o Compruebe que el termostato en el interior del electrodoméstico no se ha colocado en la posición de apagado <0>.
- o Compruebe que la tensión de alimentación se corresponde con la tensión indicada en la placa de datos de su electrodoméstico.  
y = máx.  $\pm$  3,5

Mi congelador no parece funcionar de manera eficiente.

- o Compruebe que el electrodoméstico no esté sobrecargado o que los alimentos no se hayan colocado a una distancia adecuada entre ellos.
- o El valor de ajuste del termostato es demasiado bajo; debería ajustarlo en una posición más elevada.
- o Asegúrese de que la puerta cierra correctamente y compruebe que la puerta no haya permanecido abierta por error durante demasiado tiempo.
- o Asegúrese de que el electrodoméstico cuenta con la ventilación adecuada.

Mi frigorífico emite mucho ruido.

- o El gas refrigerante que circula por los tubos del electrodoméstico puede emitir un sonido suave, aunque el compresor no esté en funcionamiento.
- o Si el ruido empeora o el electrodoméstico emite sonidos más altos de lo habitual: compruebe que esté correctamente nivelado, que no haya nada en contacto con la parte posterior del frigorífico y que no haya nada en su interior que pueda ser el origen de dicho ruido.

Se ha formado hielo con rapidez en la pared trasera interior de mi congelador.

- o Compruebe que no haya alimentos aplastados contra la pared posterior del electrodoméstico.

**IMPORTANTE:** Es normal que se formen gotas de hielo en la pared posterior del electrodoméstico. La formación de gotas de hielo no indica un fallo en el electrodoméstico.

### **Hay agua en la base del frigorífico o este presenta fugas de agua.**

- o Siga lo indicado en el apartado «El orificio de descongelación» de la página 15.

**NO INTENTE REPARAR ESTE ELECTRODOMÉSTICO USTED MISMO.**

Tenga en cuenta que si llama a un técnico mientras el producto está en garantía y se advierte que el problema no es el resultado de un fallo del electrodoméstico, los gastos de la asistencia a

domicilio correrán de su cuenta.

El electrodoméstico debe estar accesible para que el técnico lleve a cabo cualquier reparación necesaria. Si el electrodoméstico está instalado de tal manera que el técnico considera que podría causar daños al electrodoméstico o a su cocina, este no realizará la reparación.

### **Esto incluye situaciones en las que los electrodomésticos han sido alicatados, sellados u obstruidos con elementos de madera, como zócalos, colocados delante del electrodoméstico**

Consulte las condiciones de garantía que aparecen en la tarjeta de garantía recibida con este electrodoméstico.

## DISPONIBILIDAD DE REPUESTOS

Termostatos, sensores de temperatura, placas de circuitos impresos y fuentes luminosas, durante un período de, como mínimo, siete años tras la introducción en el mercado de la última unidad del modelo.

Mangos de puerta, bisagras, bandejas y cestos, durante un período de, como mínimo, siete años, y juntas de puerta durante un período de, como mínimo, diez años tras la introducción en el mercado de la última unidad del modelo;

## ASISTENCIA TÉCNICA

Para ponerse en contacto con la asistencia técnica, visite nuestro sitio web: <https://corporate.haier-europe.com/en/>. En la sección "websites", elija la marca de su producto y su país. Serás redirigido al sitio web específico donde podrás encontrar el número de teléfono y el formulario para contactar con la asistencia técnica.

Para más información sobre el producto, consulte <https://eprel.ec.europa.eu/> o escanee el QR en la etiqueta energética suministrada con el aparato.

## Deutsch

Vielen Dank für den Kauf dieses Produkts.

Bevor Sie den Kühlschrank benutzen, lesen Sie bitte aufmerksam diese Bedienungsanleitung, um das Gerät optimal zu nutzen. Bewahren Sie alle Unterlagen für spätere Zwecke oder Nachbesitzer auf. Dieses Produkt ist nur für Privathaushalte oder ähnliche Anwendungszwecke vorgesehen:

- Personalküche in Geschäften, Büros und anderen Arbeitsumgebungen
- landwirtschaftliche Betriebe, Hotels, Motels und andere Wohnumgebungen
- Frühstückspensionen
- Party-Serviceleistungen und ähnliche nicht dem Einzelverkauf dienende Anwendungen.

Dieses Gerät darf nur zur Lagerung von Lebensmitteln benutzt werden. Jede andere Benutzung gilt als gefährlich und führt zum Haftungsausschluss des Herstellers. Darüber hinaus sollten Sie die Garantiebedingungen beachten.

## SICHERHEITSHINWEISE

Bitte lesen Sie die Bedienungs- und Installationsanleitung sorgfältig durch! Sie enthalten wichtige Informationen, wie das Gerät installiert, verwendet und gewartet werden soll. Der Hersteller haftet nicht, wenn Sie die Anweisungen und Warnungen nicht beachten. Bewahren Sie die gesamte Dokumentation zum Nachschlagen oder für einen eventuellen späteren Besitzer auf.

- **Das Gerät erst dann an die Stromversorgung anschließen, wenn sämtliches Verpackungsmaterial und Transportschutzvorrichtungen entfernt wurden. Kinder von Verpackungsmaterial fernhalten.**
- **Erstickungsgefahr durch Faltschachteln und Kunststoffolie!**
- **Kontrollieren Sie bei der Anlieferung, dass das Gerät unbeschädigt ist und alle Teile sowie das Zubehör in einwandfreiem Zustand sind.**
- **Beschädigen Sie keinesfalls den Kühlkreislauf.**
- **Halten Sie die Lüftungsöffnungen im Gehäuse des Geräts oder der Einbaustruktur frei von Verstopfungen.**
- **Reinigen Sie den Kompressor keinesfalls mit Wasser, sondern**

**reiben Sie ihn mit einem trockenen Tuch gründlich ab, um Rostbildung zu vermeiden.**

- **Das Gerät immer mit mindestens zwei Personen transportieren, da es schwer ist.**
- **Installieren und richten Sie das Gerät in einem Bereich ein, der für seine Größe und Verwendung geeignet ist.**
- **Stellen Sie sicher, dass die elektrischen Informationen auf dem Typenschild der Stromversorgung entsprechen. Ist dies nicht der Fall, wenden Sie sich an einen Elektriker.**
- **Das Gerät wird über eine 220-240 V Wechselspannung/50 Hz betrieben. Unnormale Spannungsschwankungen könnten dazu führen, dass das Gerät nicht angeht, der Temperaturregler oder Kompressor beschädigt wird, oder dass während des Betriebs ein unnormales Geräusch auftritt. In einem solchen Fall ist ein automatischer Regler anzubringen.**
- **Nur für Großbritannien: Das Gerätenetzkabel ist mit einem 3-adrigen Stecker (Erdungsstecker) ausgestattet, der in eine 3-adrige Norm-Buchse (geerdet) passt. Den dritten Stift (Erdung) auf keinen Fall kappen oder entfernen. Das Gerät muss so installiert werden, dass der Stecker zugänglich ist.**
- **Achten Sie darauf, dass sich das Netzkabel beim und nach dem Transportieren/Bewegen des Geräts nicht darunter verfängt, um eine etwaige Beschädigung zu vermeiden. Ein beschädigtes Netzkabel muss vom Hersteller, dem zugelassenen Kundendienst oder ähnlich qualifizierten Stellen ausgewechselt werden, um Gefahren vorzubeugen.**
- **Das Gerät darf weder an feuchten, öligen oder staubigen Orten installiert**

noch direkter Sonneneinstrahlung und Wasser ausgesetzt werden.

- Installieren Sie das Gerät nicht in der Nähe von Heizungen oder brennbaren Materialien
- FÜR Geräte mit Gefrierfach: Bei Stromausfall nicht die Klappe öffnen. Das Gefriergut sollte nicht beeinträchtigt werden, wenn der Stromausfall die auf dem Typenschild angegebenen Stunden (Temperaturanstiegszeit) nicht überdauert. Dauert der Stromausfall länger, sollten die Lebensmittel überprüft und sofort verzehrt oder gekocht und erneut eingefroren werden.
- Lässt sich die Klappe des Geräts schwierig öffnen, nachdem Sie diese gerade geschlossen haben, so ist dies normal. Dies liegt am Druckausgleich, der hergestellt wird. Die Klappe lässt sich normalerweise nach wenigen Minuten wieder öffnen.
- Keine Arzneimittel, Bakterien oder Chemikalien im Gerät lagern. Dieses Gerät ist ein Haushaltsgerät, es wird daher davon abgeraten, Materialien zu lagern, die extreme Temperaturen erfordern.
- Ziehen Sie nicht übermäßig stark am Stromkabel und fassen Sie den Stecker nicht mit feuchten Händen an.
- Bewahren Sie keine Produkte auf, die entzündliche Treibmittel (z. B. Sprühdosen) oder explosive Substanzen enthalten. Explosionsgefahr!
- Stellen Sie keine instabilen Gegenstände (schwere

Gegenstände, mit Wasser gefüllte Behälter) auf den Kühlschrank, um Verletzungen durch Herunterfallen oder elektrische Schläge durch Kontakt mit Wasser zu vermeiden.

- Benutzen Sie keine elektrischen Vorrichtungen in den Lebensmittel-Lagerfächern des Geräts, sofern diese nicht ausdrücklich vom Hersteller empfohlen wurden.
- Berühren Sie nicht die inneren Kühlelemente, insbesondere nicht mit nassen Händen, um Risse oder Verletzungen zu vermeiden
- Gefährdet sind hier Kinder, Menschen mit eingeschränkten körperlichen, geistigen oder sensorischen Fähigkeiten sowie Menschen, die über unzureichende Kenntnisse in Bezug auf den sicheren Betrieb des Geräts verfügen.  
Überprüfen Sie, ob Kinder und schutzbedürftige Menschen die Gefahren verstanden haben. Eine für die Sicherheit verantwortliche Person muss Kinder und gefährdete Personen, die das Gerät benutzen, überwachen oder instruieren. Nur Kinder ab 8 Jahren dürfen das Gerät benutzen."
- Kinder dürfen keinesfalls mit dem Gerät spielen.
- Kinder im Alter von 3 bis 8 Jahren dürfen dieses Gerät befüllen und entleeren
- FÜR Geräte mit Gefrierfach: Keine abgefüllten oder konservierten Flüssigkeiten (insbesondere kohlenensäurehaltige Getränke) im Gefrierfach aufbewahren. Flaschen und Dosen können platzen!
- FÜR Geräte mit Gefrierfach: Tiefkühlware nie direkt aus dem Gefrierfach in den Mund nehmen. Es

besteht die Gefahr einer Kälteverbrennung!

- Halten Sie Kunststoffteile und die Türdichtung frei von Öl und Fett. Andernfalls werden Kunststoffteile und die Türdichtung porös.
- Ziehen Sie den Netzstecker, bevor Sie am Gerät hantieren.
- Benutzen Sie außer den vom Hersteller empfohlenen Mitteln keine mechanischen Geräte oder andere Hilfsmittel, um den Abtauvorgang zu beschleunigen.
- Benutzen Sie keine spitzen oder scharfkantigen Gegenstände wie Messer oder Gabeln, um Eisbildungen zu entfernen. Benutzen Sie keinesfalls Haartrockner, Elektroheizgeräte oder andere derartige Elektrogeräte, um das Gerät abzutauen.
- Der Stecker sollte sauber gehalten werden, weil übermäßige Staubablagerungen auf dem Stecker zu einem Brand führen können.
- Versuchen Sie nicht, das Gerät selbst zu reparieren, zu zerlegen oder zu verändern. Bei Reparaturen wenden Sie sich immer an unseren Kundenservice.
- Kinder überwachen, während das Gerät gereinigt oder gewartet wird.
- Die kalten Einlegeböden aus Glas nicht mit heißem Wasser reinigen. Plötzliche Temperaturschwankungen können dazu führen, dass das Glas zerspringt.
- **WARNUNG:** Die Rohre des Kühlkreislaufs enthalten eine

geringe Menge eines umweltfreundlichen, aber brennbaren Kältemittels (R600a) und ein Schaumtreibmittel (Cyclopentan). Es schädigt nicht die Ozonschicht und erhöht nicht den Treibhauseffekt. Wenn das Kältemittel entweicht, kann es Ihre Augen schädigen oder sich entzünden.

- Wenn der Kühlkreislauf beschädigt wird:
  - Schalten Sie das Gerät aus und ziehen Sie den Netzstecker.
  - Halten Sie offene Flammen und/oder Zündquellen vom Gerät fern.
  - Lüften Sie den Raum einige Minuten lang gründlich.
  - Informieren Sie den Kundendienst.
- **WARNUNG:** Den Netzstecker und/oder das Netzkabel nicht beschädigen - Stromschlag- und Brandgefahr!
- **WARNUNG:** Keine Mehrfachsteckdosen oder Verlängerungen verwenden. Keine Verlängerungskabel und Mehrfachsteckleisten verwenden.
- Sich nicht auf das Gerät stellen oder darauf sitzen. Dies könnte zu Personenschäden führen oder das Gerät beschädigen. Dieses Gerät ist nicht geeignet, um darauf oder darunter weitere Geräte zu stapeln.
- Dieses Gerät ist ausschließlich für den Einsatz in einem Privathaushalt konzipiert und gefertigt.
- Es dürfen nur Originalteile verwendet werden, die vom Hersteller geliefert werden. Der Hersteller garantiert, dass nur diese Teile die Sicherheitsanforderungen erfüllen.

- Ein längeres Öffnen der Tür kann zu einem deutlichen Temperaturanstieg in den Fächern des Gerätes führen.
- Reinigen Sie regelmäßig Oberflächen, die mit Lebensmitteln in Berührung kommen können, sowie zugängliche Drainagesysteme
- Reinigen Sie die Wasserbehälter, falls sie 48 Stunden lang nicht benutzt wurden; spülen Sie das an einer Wasserleitung angeschlossene Wassersystem durch, falls 5 Tage lang kein Wasser eingespeist wurde
- Lagern Sie rohes Fleisch und Fisch in geeigneten Behältern im Kühlschrank, damit diese nicht mit anderen Lebensmitteln in Berührung kommen oder auf diese tropfen
- Zwei-Sterne-Tiefkühlfächer (sofern vorhanden) eignen sich für die Lagerung von vorgefrorenen Lebensmitteln, die Lagerung oder Herstellung von Eiscreme und die Herstellung von Eiswürfeln
- Ein-, Zwei- und Drei-Sterne-Fächer (sofern vorhanden) sind nicht für das Einfrieren von frischen Lebensmitteln geeignet
- Falls das Gerät über einen längeren Zeitraum leer bleibt, schalten Sie es aus, tauen es ab, reinigen und trocknen es, und lassen dann die Tür offen, um Schimmelbildung im Gerät zu vermeiden
- Für Weinlagerschränke: Dieses Gerät ist ausschließlich zur Lagerung von Wein bestimmt

- Für freistehende Geräte: Dieses Kühlgerät ist nicht für die Verwendung als Einbaugerät bestimmt
- Für Geräte ohne 4-Sterne-Fach: Dieses Kühlgerät ist nicht für das Einfrieren von Lebensmitteln geeignet

#### Geräteentsorgung



Dieses Gerät ist entsprechend der EU-Richtlinie 2012/19/EC für Elektro- und Elektronik-Altgeräte (WEEE) gekennzeichnet.


Elektro- und Elektronik-Altgeräte enthalten sowohl umweltschädliche Stoffe (die negativen Folgen für die Umwelt verursachen) und grundlegenden Komponenten (die wiederverwendet werden können). Es ist wichtig, Elektro- und Elektronik-Altgeräte spezifischen Behandlungen zu unterziehen, um alle Schadstoffe zu entfernen und ordnungsgemäß zu entsorgen sowie alle Materialien zu recyceln.

Einzelpersonen können eine wichtige Rolle dabei spielen, aus Elektro- und Elektronik-Altgeräten kein Umweltproblem zu machen, da die Einhaltung einiger Grundregeln unerlässlich ist:

- Elektro- und Elektronik-Altgeräte dürfen nicht als Hausmüll entsorgt werden;
- Elektro- und Elektronik-Altgeräte müssen den entsprechenden Sammelstellen der Gemeinde oder davon registrierten Unternehmen übergeben. Viele Länder bieten möglicherweise die Abholung zu Hause für große Elektro- und Elektronik-Altgeräte.

In vielen Ländern können beim Kauf eines neuen Geräts Altgeräte an Händler, die einen kostenlosen 1-zu-1-Umtausch vornehmen müssen, zurückgegeben werden, solange das Gerät demselben Typ entspricht und über die gleichen Funktionen wie das bereitgestellte Gerät verfügt.

#### Konformität

Mit der Verwendung des  -Kennzeichens auf diesem Produkt bestätigen wir, dass sämtliche relevanten Sicherheits-, Gesundheits- und Umweltvorschriften eingehalten werden, die für dieses Produkt in Europa gesetzlich festgelegt sind.

#### Garantie

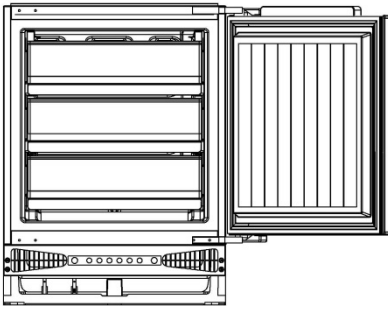
Die Mindestgarantie beträgt: 2 Jahre für EU-Länder, 3 Jahre für die Türkei, 1 Jahr für Großbritannien, 1 Jahr für Russland, 3 Jahre für Schweden, 2 Jahre für Serbien, 5 Jahre für Norwegen, 1 Jahr für Marokko, 6 Monate für Algerien. Tunesien keine gesetzliche Garantie erforderlich.

#### Energieeinsparung

Empfehlungen für eine optimale Energieeinsparung:

- Installieren Sie das Gerät nicht in der Nähe von Wärmequellen, setzen Sie es nicht direkter Sonneneinstrahlung aus, und sorgen Sie für ausreichende Luftzirkulation.
- Legen Sie keine heißen Lebensmittel in den Kühlschrank, um einen Anstieg der Innentemperatur und den andauernden Betrieb des Kompressors zu vermeiden.
- Lagern Sie nicht zu viele Lebensmittel, um eine ausreichende Luftzirkulation zu gewährleisten.
- Tauen Sie das Gerät ab, falls sich Eis gebildet hat, um die Kühlung zu erleichtern.
- Bei einem Stromausfall sollte die Kühlschranktür geschlossen gehalten werden.
- Die Tür sollte nur möglichst kurz geöffnet werden oder offenstehen.
- Stellen Sie den Thermostat nicht auf zu niedrige Temperaturen ein.
- Entfernen Sie Staubablagerungen auf der Geräterückseite.

## GERÄTEBESCHREIBUNG



### HINWEIS:

Das Bild dient nur zur Illustration und kann von Ihrem Produkt abweichen.

Die energiesparendste Konfiguration erfordert den Einsatz von Schubladen, Lebensmittelboxen und Regalböden im Produkt, siehe die obigen Bilder.

## INBETRIEBNAHME DES KÜHLSCHRANKS

### Vor dem Einschalten

- o Vergewissern Sie sich, ob der Kühlschrank entsprechend der Aufstell- und Montageanleitung des Produkts von einem qualifizierten Fachmann installiert wurde.
- o Warten Sie nach der Lieferung acht Stunden lang, bis Sie den Kühlschrank an die Stromversorgung anschließen. Dadurch können sich Kältemittel erneut absetzen, die während des Transports aufgeschüttelt wurden.
- o Die Geräteaußenseite und alle herausnehmbaren Gegenstände mit Spülwasser reinigen.
- o Den Kühlschrank innen mit einer lauwarmen Natronlauge auswaschen. Innenraum und Zubehörteile nach dem Reinigen sorgfältig abtrocknen.
- o Beim erstmaligen Einschalten des Geräts kann es zu einer Geruchsentwicklung kommen. Diese geht zurück, sobald das Gerät anfängt zu kühlen.

### Während der ersten Inbetriebnahme

- o Wenn Sie das Gerät erstmalig in Betrieb nehmen, stellen Sie das Thermostatrad 24 Stunden lang auf seine höchste Stellung.
- o Wenn Sie das Gerät erstmalig einschalten, läuft der Kompressor kontinuierlich 24 Stunden lang, bis der Kühlschrank die richtige Temperatur erreicht hat.
- o Während dieser Zeit sollten Sie die Türe nicht zu häufig öffnen und nicht zu viele Lebensmittel in das Gerät stellen.
- o Danach stellen Sie das Thermostatrad auf Normalbetrieb ein.
- o Wird das Gerät ausgeschaltet oder von der Stromversorgung getrennt, warten Sie mindestens fünf Minuten, bis Sie es über das Thermostatrad wieder einschalten oder den Stecker in die Steckdose stecken.

### Einschalten des Geräts und Einstellen des Thermostats

Es gibt insgesamt 6 Temperatureinstellungen für den Kühlschrank. Nach dem Anschließen an die Stromversorgung wird der Kühlschrank auf Einstellung 3 eingestellt, die Standardeinstellung.

Taste "⏻": Befindet sich an der rechten Seite und dient zum Ein-/Ausschalten des Kühlschranks durch 3s langes Drücken.

Taste "🌡️": Befindet sich an der linken Seite und dient zur Anpassung der Temperatureinstellungen für den Kühlschrank.



### Anpassen der Temperatur:

Die Temperatur im Kühlschrank wird durch Drücken der linken Taste "🌡️" eingestellt. Durch Drücken der Taste stehen die Einstellungen 1 bis 5 für unterschiedliche Temperaturen, von der minimalen bis zur maximalen Temperatur.

"🌟" zeigt die Schnellfrost-Funktion (Super Freezing) an. Durch

durchgehendes Drücken der Taste "🌡️" und Auswahl der Schnellfrost-Funktion. Wenn sie aktiviert ist, leuchtet das SF-Symbol auf. Die SF-Zeit dauert 24 Stunden, dann wird sie automatisch ausgeschaltet und die vorherige Thermostateinstellung wird wiederhergestellt.

Stellung	Temperaturbedingung
1-2	Sommer oder Raumtemperatur zwischen 25-35°C
3-4	Frühling, Herbst oder Raumtemperatur zwischen 15-25°C
4-5	Winter oder Raumtemperatur zwischen 5-15°C
Super Gefrierfunktion	Schockfrost

**Achtung: Es wird einige Zeit benötigt, bis der Kühlschrank das eingestellte Niveau erreicht, wenn Temperatureinstellungen vorgenommen werden. Die Länge dieses Zeitraums wird durch die Differenz der vorhandenen und eingestellten Temperaturen, der Umgebungstemperatur, der Häufigkeit, mit der die Tür geöffnet und geschlossen wird, und der Menge der eingelagerten Lebensmittel bestimmt.**

### Das Gefrierfach

- o Die Temperatur im Gefrierfach muss -18 Grad Celsius (oder niedriger) betragen, bevor bereits gefrorene oder frische Lebensmittel hineingelegt werden können.
- o Das Gefrierfach kann nur eine bestimmte Lebensmittelmenge auf einmal einfrieren. Innerhalb von 24 Stunden sollten nicht mehr als 4,5 Kilogramm frische Lebensmittel eingefroren werden.
- o Warme Lebensmittel sollten vor dem Einfrieren abkühlen. Wenn Sie warme Lebensmittel einfrieren, führt die höhere Luftfeuchtigkeit zu schnellerer Eisbildung und der Stromverbrauch wird erhöht.
- o Bezüglich der Lagerung sollte das Haltbarkeitsdatum des Lebensmittelherstellers beachtet werden.
- o Aufgetaute Lebensmittel sollten nicht wieder eingefroren werden.
- o Die Tür des Gefrierschranks nicht zu häufig öffnen und nicht zu lange offen stehen lassen, da dies die Temperatur im Gerät und den Stromverbrauch erhöht.

Positionieren Sie verschiedene Lebensmittel in verschiedenen Fächern gemäß der folgenden Tabelle

Kühlschrankfach	Art von Essen
Gefrierschublade (n) / Tablett	- Lebensmittel zur Langzeitlagerung
	- Untere Schublade für rohes Fleisch, Geflügel und Fisch
	- Mittlere Schublade für gefrorenes Gemüse, Pommes
	- Oberes Tablett für Eis, gefrorenes Obst und gefrorene Backwaren.

### Tipps zum Einfrieren

- o Gefrierbeutel, Polyäthylenfolie, Aluminiumfolie (extra dick) und spezielle Gefrierbehälter sind geeignet, um Gefriergut darin aufzubewahren.
- o Gefrierbeutel lassen sich mit Klebeband, Gummis oder Plastikclips verschließen.
- o Vor dem Verschließen eines geeigneten Gefrierbeutels sollte die Luft

herausgelassen werden, weil die Lebensmittel auf diese Weise besser frieren.

- o Flache Pakete lassen sich einfacher einfrieren.
- o Beim Einfrieren von Flüssigkeiten, diese nicht bis zum Rand einfüllen. Flüssigkeiten dehnen sich im gefrorenen Zustand aus.
- o Bei Tiefkühlkost ist auf die auf der Lebensmittelverpackung angegebene Aufbewahrungszeit zu achten. Diese Aufbewahrungszeit wird erreicht, wenn bei den Einstellungen die Referenztemperaturen für das Fach beachtet werden (1 Stern: -6 ° C, 2 Sterne: -12 ° C, 3 Sterne: -18 ° C).

**Legen Sie keine Flaschen (Glas oder Dosen) mit Flüssigkeiten (die Kohlensäure enthalten) in das Gefriergerät, da die Flasche beim Frieren platzen könnte.**

#### Herstellen von Eiswürfeln

- o Den Eiswürfelbehälter mit Wasser füllen und in das Gefrierfach stellen.
- o Wenn es gefroren ist, den Behälter (wie im Bild unten gezeigt) biegen, damit die Eiswürfel herausfallen.

#### ENERGIESPARENDER BETRIEB DES KÜHLSCHRANKS

##### Inbetriebnahme:

- o Gerät an einem kühlen Platz aufstellen. Wird es in direktem Sonnenlicht, neben einem Herd oder einer anderen Hitzequelle aufgestellt, kann der Stromverbrauch deutlich ansteigen.
- o Überprüfen Sie, ob das Gerät mit den richtigen Belüftungsvoraussetzungen aufgestellt wurde. Eine behinderte Luftzirkulation kann den Energieverbrauch um 15 % erhöhen.

##### Reinigung und Wartung:

- o Die Spule des Kondensators (falls vorhanden) auf der Geräterückseite regelmäßig reinigen, um eine hohe Laufleistung zu gewährleisten.
- o Gerät regelmäßig abtauen. Eine dicke Eisschicht reduziert die Kühlleistung des Geräts. Sobald eine 5 mm dicke Eisschicht erreicht ist, sollte das Gerät abgetaut werden.
- o Türdichtung mit warmem Wasser und neutralem Reiniger reinigen, der keine Rückstände hinterlässt. Eine dicht verschließende Türdichtung ist besonders wichtig für die effiziente Geräteleistung.

##### Betrieb:

- o Die Tür nicht wiederholt oder häufiger als nötig öffnen.
- o Thermostat nicht zu niedrig einstellen. Nur ein Grad Temperaturunterschied kann den Energieverbrauch um 5 % senken. Prüfen Sie die Kühlschranktemperatur mit einem Thermometer.
- o Das Gerät sollte mit einer Kühltemperatur von -15 bis -18 Grad Celsius betrieben werden.
- o Lebensmittel abkühlen lassen, bevor sie in den Kühlschrank gestellt werden (aber auch nicht zu lange bei Zimmertemperatur aufbewahren).
- o Solange die Lebensmittel noch nicht durchgefroren sind, sollten sie gleichmäßig im Gerät verteilt und nicht gestapelt werden.
- o Wenn Sie längere Zeit unterwegs sind, schalten Sie das Gerät aus, leeren und reinigen Sie es, und lassen Sie die Tür offen stehen.
- o Wenn Sie ein zweites Gerät haben, das nicht gebraucht wird, prüfen Sie, ob es ausgeschaltet ist und ob die Tür offen steht, bis es wieder gebraucht wird.

##### Entsorgung:

- o Wenn Sie Ihren alten Kühlschrank entsorgen möchten, beachten Sie, dass dieser Fluorchlorkohlenwasserstoffe enthält, die von einem Abfallentsorgungsunternehmen entsorgt werden

müssen. Informationen zur ordnungsgemäßen Entsorgung enthalten Sie von der zuständigen örtlichen Behörde.

#### REINIGUNG UND WARTUNG

**WARNUNG: ÜBERPRÜFEN SIE VOR DEM REINIGEN, OB DAS GERÄT VON DER STROMVERSORGUNG GETRENNT IST.**

- o Gerät nicht reinigen, indem Sie Wasser darüber schütten oder sprühen.
- o Das Gefriergerät sollte regelmäßig mit lauwarmem Wasser und aufgelöstem Natriumkarbonat gereinigt werden.
- o Zubehör separat mit Spülwasser reinigen. Nicht in der Spülmaschine reinigen.
- o Keine Scheuermittel oder aggressive Reiniger verwenden.
- o Gerät nach dem Abwaschen mit einem feuchten Tuch abreiben und gründlich trocken wischen.
- o Hände nach dem Reinigen abtrocknen und Stecker in die Steckdose stecken.

#### Abtauen des Gefrierfachs

Die Eisschicht im Gefrierfach sollte regelmäßig entfernt werden. Entfernen Sie aufgebaute Frostschichten mit einem Plastikschaber.

**WICHTIG:** Das Gefriergerät sollte mindestens zweimal im Jahr abgetaut werden. Die Anzahl der Abtauvorgänge hängt von der Einstellung Ihres Thermostats und davon ab, wie viel Gefriergut Sie einfrieren.

- o Am Tag vor dem Abtauen sollte das Thermostat auf <5> eingestellt werden; dadurch wird gewährleistet, dass die enthaltenen Lebensmittel richtig durchgefroren sind.
- o Während des Abtauvorgangs sollten die Lebensmittel aus dem Gefriergerät genommen und in mehreren Schichten Zeitungspapier verpackt an einem kühlen Ort aufbewahrt werden. Der Anstieg der Temperatur des Gefrierguts verkürzt seine Haltbarkeit und es sollte möglichst innerhalb kurzer Zeit aufgebraucht werden.

**KEINE BEREITS ANGETAUTEN LEBENSMITTEL WIEDER ZURÜCK IN DAS GEFRIERGERÄT LEGEN.**

- o Das Thermostatrad auf <0> stellen und Gerät von der Stromversorgung trennen.
- o Die Türen des Gefriergeräts offen lassen. Um den Abtauprozess zu beschleunigen, können Sie eine Schale mit warmem Wasser in das Gefrierfach stellen.
- o Das am Boden des Gefriergeräts angesammelte Tauwasser kann mit einem Schwamm aufgenommen werden.

**WICHTIG:** Legen Sie Putzlappen oder alte Handtücher auf den Boden vor dem Gefriergerät. Dies dient dazu, eventuell austretendes Tauwasser aufzufangen.

- o Sobald die Eisschicht im Gefrierfach geschmolzen ist, sollte der Innenraum gründlich abgetrocknet werden. Wenn nicht, bildet sich sofort beim Einschalten des Geräts eine neue Eisschicht.
- o Stecken Sie den Netzstecker des Geräts mit trockenen Händen in die Steckdose. Stellen Sie das Thermostatrad 24 Stunden lang auf <5>, bevor Sie es zurück auf die Normalstellung <3> drehen.
- o Vor Ablauf der 24 Stunden sollten keine frischen Lebensmittel eingefroren werden.

**Das Gerät nicht mit Hilfe anderer Elektrogeräten (z.B. Haarföhn) abtauen. Keine scharfkantigen Metallgegenstände verwenden, um Eisschichten damit zu entfernen, da dies das Kühlsystem beschädigen könnte.**



## INSTALLATION

WICHTIG: Lesen Sie vor der Installation und Inbetriebnahme alle Anweisungen, und achten Sie darauf, dass die auf dem Typenschild angegebene Spannung (V) und Frequenz (Hz) mit den Begebenheiten bei Ihnen zu Hause übereinstimmen. Das Typenschild befindet sich vorne an der linken inneren Kühlschrankwand.

Der Hersteller haftet nicht für eine Missachtung der geltenden Unfallverhütungsmaßnahmen seitens des Monteurs, die für einen normalen Gebrauch und den regulären Betrieb des elektrischen Systems notwendig sind.

### Elektrischer Anschluss

IHR GEFRIERGERÄT IST FÜR DEN DAUERHAFTEN EINBAU BESTIMMT.

Wir empfehlen den Anschluss des Geräts gemäß der örtlichen Bestimmungen durch einen qualifizierten Elektriker.

- o Das Gefriergerät hat einen 13-AMP-Stecker. Wenn die Sicherung im Stecker ersetzt werden muss, muss eine von ASTA (gemäß BS 1362) genehmigte Sicherung genommen werden.
- o Die Verkabelung im Netzkabel ist wie folgt farblich gekennzeichnet:

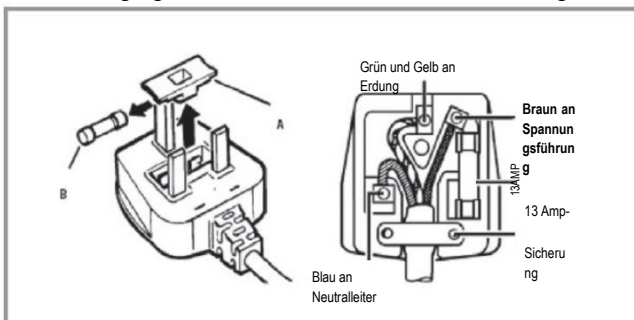
**Braun** Spannungsführender Draht  
**Blau** Neutralleiter

### Grün und Gelb Erdung

- o Da die Farben der Drähte im Stromkabel des Geräts eventuell nicht mit den Farben in der Kabeldose übereinstimmen, verfahren Sie wie folgt:

Der **braune Draht** muss mit der mit „L“ (spannungsführend) oder **rot** gekennzeichneten Klemme verbunden werden.  
Der **blaue Draht** muss mit der mit „N“ (neutral) oder **schwarz** gekennzeichneten Klemme verbunden werden.  
Der **grün-gelbe Draht** muss mit der mit „E“ (Erdung) oder **grün-gelb** gekennzeichneten Klemme verbunden werden.

- o Nach abgeschlossener Verkabelung sollten keine losen oder abgeschnittenen Drähte mehr vorhanden sein. Die Befestigungsklemme sollte außen über die Kabelisolierung



### Platzierung

- o Es empfiehlt sich, Ihr Gerät an einem Ort aufzustellen, wo die Raumtemperatur mit der auf dem Typenschild des Geräts angegebenen Klimaklassifikation übereinstimmt. Wenn die Umgebungstemperatur außerhalb der folgenden Temperaturbereiche liegt, funktioniert das Gerät eventuell nicht richtig.
- o Erweiterte gemäßigte Zone (SN): „Dieses Kühlgerät ist für die Verwendung bei Umgebungstemperaturen von 10 °C bis 32 °C bestimmt.“

- o Gemäßigte Zone (N): „Dieses Kühlgerät ist für die Verwendung bei Umgebungstemperaturen von 16 °C bis 32 °C bestimmt.“
- o Subtropische Zone (ST): „Dieses Kühlgerät ist für die Verwendung bei Umgebungstemperaturen von 16 °C bis 38 °C bestimmt.“
- o Tropische Zone (T): „Dieses Kühlgerät ist für die Verwendung bei Umgebungstemperaturen von 16 °C bis 43 °C bestimmt.“
- o Das Gerät sollte nicht in direktem Sonnenlicht stehen oder kontinuierlicher Hitze oder extremen Temperaturen (z.B. neben einem Radiator oder Boiler) ausgeliefert werden.
- o Die Tür sollte sich vollständig und frei öffnen lassen.
- o Das Gerät sollte frei zugänglich sein, damit die gelagerten Lebensmittel leicht entnommen werden können.
- o Vor der Installation sollten Sie prüfen, ob eine Steckdose verfügbar und zugänglich ist.

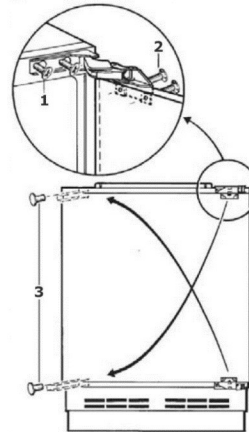
### Ändern des Türanschlags

Dieser Vorgang MUSS durchgeführt werden, bevor die Möbeltür befestigt wird. Sämtliche Teile, die beim Ändern des Türanschlags entfernt werden, sollten für zukünftige Zwecke aufbewahrt werden.

WARNUNG- Beim Öffnen der Scharniere ist Vorsicht geboten, da diese eine Sprungfeder haben und beim Schließen zu Verletzungen an den Händen führen könnten.

Erforderliches Werkzeug:

- o Kreuzschlitzschraubendreher
- o Schlitzschraubenzieher



- o Die Halteschrauben (1) am Gerät lösen und Gerätetür vorsichtig abnehmen.
- o Gerätetür auf eine gepolsterte Fläche legen, damit diese nicht beschädigt wird.
- o Abdeckungen aushebeln (3).
- o Befestigungsschrauben (1) auf der anderen Geräteseite gegenüber ihrer ursprünglichen Position einsetzen. Die Schrauben an- aber nicht festziehen.
- o Befestigungsschrauben an der Tür (2) herausdrehen und Position des oberen und unteren Scharniers (wie oben gezeigt) auf die gegenüberliegende Seite verlegen.
- o Gerätetür wieder befestigen und Befestigungsschrauben am Gerät (1) und an der Tür (2) festziehen.
- o Die Abdeckungskappen (3) auf die Löcher setzen, die jetzt rechts am Schrank entstanden sind.

WICHTIG: Prüfen Sie nach dem Ändern des Türanschlags, ob die Türe richtig öffnet und schließt, ohne zu verkanten.

**Überprüfen Sie nach dem Ändern des Türanschlags, ob die Türdichtungen unversehrt sind. Die Dichtungen sollten nicht von der Türe eingedrückt oder verknittert werden, da ansonsten ein Leck entstehen würde.**

- o Die Dichtung muss richtig und rund um die ganze Tür anliegen.
- o Wenn die Dichtung nicht richtig am Geräteschrank haftet, versuchen Sie Folgendes:

1. Versuchen Sie mit einem warmen, feuchten Tuch, die Dichtung rund um

die Tür zu verschieben und zu befestigen.

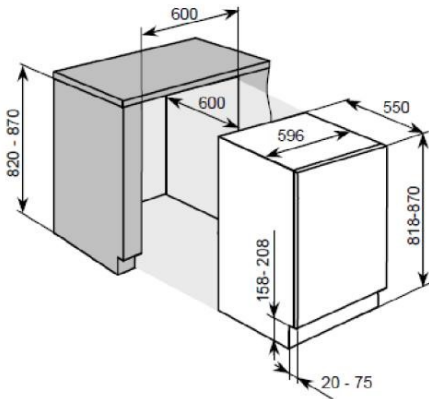
Oder

2. Erwärmen Sie die nicht richtig haftenden Dichtungsstellen mit einem Haarföhn auf niedrigster Stufe. Durch die Wärme wird die Dichtung flexibel und lässt sich an der richtigen Stelle befestigen.

**WICHTIG: TÜRDICHTUNG NUR AUF NIEDRIGSTER HITZESTUFE UND NICHT ÜBER EINEN LÄNGEREN ZEITRAUM ERWÄRMEN. DIES KANN DIE TÜRDICHTUNG BESCHÄDIGEN UND DIE GERÄTEGARANTIE BEEINTRÄCHTIGEN.**

#### Platzmaß

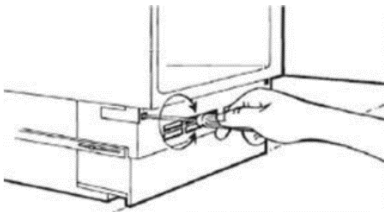
Die Abbildung unten zeigt das für den Einbau Ihres Geräts benötigte Platzmaß.



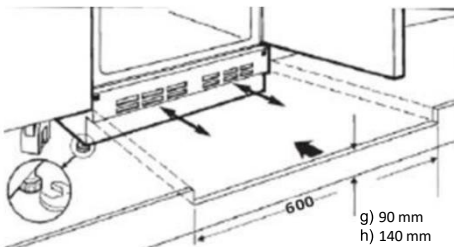
- o Das Gerät muss auf einem waagerechten Boden stehen. Kleinere Unebenheiten im Fußboden können über die Stellfüße reguliert werden.

#### Anpassen der Sockelleiste

Wenn das Gerät in einem Einbauschrank unter einer Arbeitsplatte eingebaut wurde, soll der Sockel eventuell mit einer Leiste verkleidet und an die anderen Möbelstücke angepasst werden.



- o Das Gitter am Gerätesockel abschrauben und nach vorne abziehen.



- o Höhe der Stellfüße mit einem Schraubenschlüssel justieren.
- o Beträgt der Abstand vom Boden bis zur Arbeitsplatte 820 mm, sollten die Stellfüße vollständig eingefahren sein.
- o Beträgt der Abstand vom Boden bis zur Arbeitsplatte 870 mm, sollten die Stellfüße 50 mm weit ausgefahren sein.
- o Das Gerät sollte bündig an die Arbeitsplatte anschließen und in der Waage sein. **WICHTIG:** Ist das Gerät nicht in der Waage, könnten Tür und Türdichtung beeinträchtigt werden.
- o Die verzierende Sockelleiste muss mit einem Lüftungsschlitz

versehen werden. Der Lüftungsschlitz sollte 600 mm breit und zwischen 140 mm und 90 mm hoch sein, je nachdem, wie hoch die Stellfüße ausgefahren wurden.

- o Die Sockelleiste einsetzen und das Gitter zum Fixieren an der ursprünglichen Stelle befestigen.
- o **WICHTIG:** Beachten Sie, dass die Sockelleiste **UNBEDINGT** wie in der obigen Abbildung gezeigt mit Lüftungsschlitzen in der richtigen Größe versehen werden muss.

#### Anpassen des Türanschlags

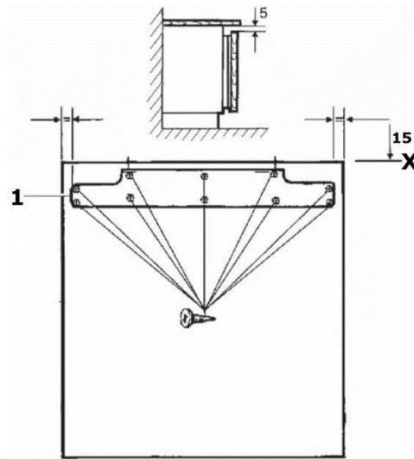
Wenn sich die Gerätetür zur anderen Seite öffnen soll, ändern Sie den Türanschlag vor dem Einbau. (Siehe Abschnitt „Ändern des Türanschlags“).

Erforderliches Werkzeug:

- o Maßband
- o Spitzer Bleistift
- o Kleiner Schlitzschraubenzieher
- o Schraubenschlüssel

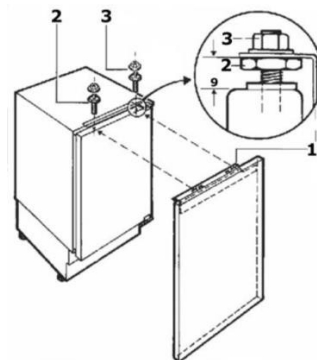
**WICHTIG:** Es wird der Einbau durch zwei Personen empfohlen.

1. Die zwei Justierschrauben auf der oberen Gerätetür herausschrauben und die Halterung abnehmen (1).

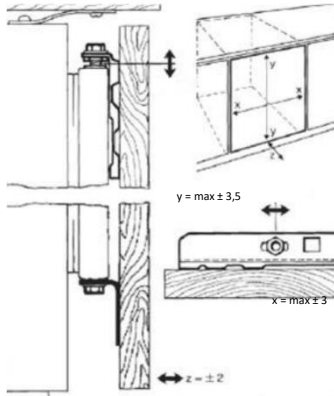


2. Messen Sie die Breite der Möbeltür und ziehen Sie genau in der Mitte eine senkrechte Linie von oben bis ungefähr in die Türmitte.

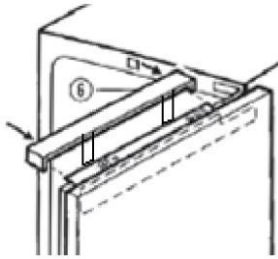
- o Setzen Sie die Halterung (1) auf der anderen Seite der Möbeltür auf.
- o Dabei sollte sich die Mitte der Halterung auf der soeben gezeichneten Linie befinden. Überprüfen Sie die Position der Halterung auf der Zeichnung oben, damit die Halterung auch richtig herum montiert wird.
- o Die Oberseite der Halterung sollte sich ca. 15 mm von der Oberkante der Möbeltür befinden. Dadurch entsteht ein 5 mm breiter Spalt zwischen der Oberkante der Möbeltür und der Unterseite der Arbeitsplatte.
- o Befestigen Sie die Halterung mit den mitgelieferten Schrauben und mit einem Kreuzschlitzschraubendreher an der Möbeltür. Ziehen Sie die Schrauben vollständig an.



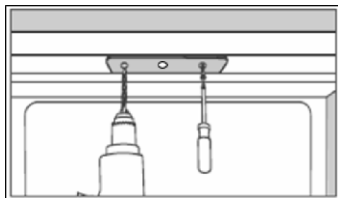
3. Hängen Sie die Möbeltür auf die Gerätetür, und achten Sie dabei darauf, dass sich die Klemmen an der Halterung über den Justierschrauben befinden.



4. Passen Sie die Lücke am unteren Teil der Justierschrauben mit einem Schraubenzieher an. Die Lücke sollte ca. 9 mm betragen (wie im Bild oben gezeigt).
  5. Befestigen Sie die untere Halterung unter der Möbeltüre und unter der Gerätetüre (Siehe Zeichnung auf der vorherigen Seite).
- o Mittels der Schrauben auf der Ober- und Unterseite der Gerätetür lässt sich die Position der Möbeltür leicht anpassen. Passen Sie die Möbeltür so an, dass sie in der Waage ist.



6. Stecken Sie die Abdeckung oben auf dem Gerät in ihren Platz.



7. Die Gerätetür öffnen.
- o Mit einem passenden Bohrer durch die Löcher der Halterung in die Arbeitsfläche bohren. **WICHTIG:** Der Bohrer sollte für das Material der Arbeitsplatte geeignet sein.
  - o Die Halterung mit den Schrauben an der Unterseite der Arbeitsfläche verschrauben. **WICHTIG:** Ziehen Sie die Schrauben vollständig an.
  - o Wird das Gerät unter einer Arbeitsplatte aus Granit eingebaut, verwenden Sie die L-förmigen Winkel, um den Kühlschrank mit der Seitenwand des Einbauschranks zu verschrauben. Mit einem passenden Bohrer durch die drei Löcher der Halterung in die Seitenwand gegenüber den Scharnieren bohren.
  - o Die ovalen Löcher verbleiben über den nicht genutzten Scharnieren auf der Gerätevorderseite. Die Winkel mit zwei Schrauben an der Gerätefront verschrauben.
- Prüfen Sie, ob sich die Türe öffnen und schließen lässt, ohne zu verkanten und ob die Türdichtung fest schließt.

## FEHLERBEHEBUNG

**WICHTIG:** Wenn Ihr Gefriergerät anscheinend nicht ordnungsgemäß funktioniert, prüfen Sie es anhand der unten stehenden Checkliste, bevor Sie den Kundendienst kontaktieren.

**Mein Gefriergerät scheint nicht zu funktionieren bzw. keinen Strom zu haben.**

- o Vergewissern Sie sich, dass der Stecker des Geräts richtig in der Wandsteckdose sitzt.
- o Prüfen Sie, ob die Hauptstromversorgung funktioniert (d.h., dass keine Stromkabel durchtrennt wurden oder Sicherungen durchgebrannt sind).
- o Prüfen Sie, ob das Thermostat im Gerät nicht auf <0> gestellt wurde.
- o Prüfen Sie, ob die Versorgungsspannung mit der auf dem Typenschild des Geräts angegebenen übereinstimmt.

**Mein Gefriergerät kühlt nicht richtig**

- o Prüfen Sie, ob das Gerät nicht überladen ist und dass die Lebensmittel nicht zu eng aneinander stehen.
- o Der Thermostatregler ist zu niedrig eingestellt; stellen Sie das Thermostat höher.
- o Prüfen Sie, ob die Tür richtig schließt und ob sie nicht längere Zeit offen war.
- o Prüfen Sie, ob das Gerät ausreichend belüftet wird.

**Mein Gefriergerät ist laut**

- o Das Kältemittel zirkuliert in der Kühlschleife, sodass das Gerät auch wenn der Kompressor nicht läuft, leise Geräusche machen kann.
- o Wenn das Geräusch anhält oder lauter als normal wird, prüfen Sie, ob das Gerät in der Waage steht, ob die Kühlschrankrückseite mit nichts in Berührung kommt und ob im Gerät nichts klappert oder vibriert.

**An der inneren Rückwand des Gefriergeräts hat sich schnell Eis gebildet.**

- o Prüfen Sie, ob keine Lebensmittel zu weit hineingeschoben wurden und die Rückwand berühren.

**WICHTIG:** Es ist normal, dass sich an der hinteren Gerätewand kleine Eistropfen bilden. Die Entstehung von Eistropfen stellt keinen Gerätefehler dar.

**VERSUCHEN SIE NICHT, DAS GERÄT SELBST ZU REPARIEREN.**

Beachten Sie, dass Sie die Kosten für den Einsatz eines

Kundendiensttechnikers während der Garantiezeit tragen, wenn dieser vor Ort feststellt, dass das Problem nicht auf einem Gerätefehler beruht.

Das Gerät muss dem Techniker für die Durchführung der notwendigen Reparaturen zugänglich gemacht werden. Ist Ihr Gerät so eingebaut oder installiert, dass der Techniker befürchtet, bei der Reparatur das Gerät oder Ihre Küche zu beschädigen, wird er die Reparatur abbrechen.

**Dazu gehören Situationen, wo das Gerät eingemauert, mit Dichtungsmasse eingebaut oder vorne mit Holzverkleidungen wie Sockelblenden versehen wurde.**

Weitere Informationen zu den Garantiebedingungen finden Sie auf der mit dem Gerät gelieferten Garantiekarte.

#### **VERFÜGBARKEIT VON ERSATZTEILEN**

Thermostate, Temperatursensoren, Leiterplatten und Lichtquellen sind nach dem Inverkehrbringen der letzten Einheit des Modells mindestens sieben Jahre lang verfügbar.

Türgriffe, Türscharniere, Tablett und Körbe für einen Zeitraum von mindestens sieben Jahren und Türdichtungen für einen Zeitraum von mindestens zehn Jahren, nachdem die letzte Einheit des Modells auf den Markt gebracht wurde

#### **TECHNISCHE UNTERSTÜTZUNG**

Um die technische Unterstützung zu kontaktieren, besuchen Sie unsere Website: <https://corporate.haier-europe.com/en/> . Wählen Sie im Bereich „Website“ die Marke Ihres Produkts und Ihr Land aus. Sie werden auf die jeweilige Website weitergeleitet, auf der Sie die Telefonnummer und das Formular finden, um die technische Unterstützung zu kontaktieren

Weitere Informationen zum Produkt erhalten Sie unter <https://eprel.ec.europa.eu/> oder scannen Sie den QR auf dem mit dem Gerät gelieferten Energieetike

## Português

Obrigado por comprar este produto.

Antes de usar o seu frigorífico, leia atentamente este manual de instruções para maximizar o seu desempenho. Guarde toda a documentação para uso futuro ou outros proprietários. Este produto destina-se exclusivamente a uso doméstico ou para aplicações similares, tais como:

- Área de cozinha para pessoal em lojas, escritórios e outros ambientes de trabalho
- Em quintas, para clientes de hotéis, motéis e outros ambientes do tipo residencial
- como B&Bs (cama e pequeno-almoço)
- Para serviços de catering e aplicações similares, e não para venda por retalho.

Este eletrodoméstico deve ser usado apenas para fins de armazenamento de alimentos, sendo qualquer outro uso considerado perigoso. O fabricante não será responsável por incumprimentos. Além disso, é recomendável que consulte as condições de garantia.

## INFORMAÇÃO DE SEGURANÇA

Leia atentamente as instruções de operação e instalação! Estas contêm informações importantes sobre como instalar, usar e fazer a manutenção do eletrodoméstico. O fabricante não é responsável se não cumprir as instruções e avisos. Guarde todos os documentos para uso subsequente ou para o próximo proprietário.

- **Não ligue o aparelho à alimentação de energia até que todas as proteções de embalagem e de transporte tenham sido removidas. Mantenha as crianças afastadas da embalagem e das suas peças. Perigo de sufocação devido a caixas de cartão dobráveis e a película plástica!**
- **Deixe repousar , no mínimo, 4 horas antes de ligar para permitir que o óleo do compressor assente se transportado horizontalmente**
- **Na entrega, verifique se o produto não está danificado e se todas as peças e acessórios estão em perfeitas condições**
- **Não danificar o circuito do refrigerante**
- **Mantenha as aberturas de ventilação na caixa do**

**eletrodoméstico ou na estrutura embutida, livre de obstruções**

- **Nunca use água na posição do compressor, limpe-o cuidadosamente com um pano seco depois da limpeza para evitar ferrugem**
- **Manuseie o aparelho sempre com pelo menos duas pessoas porque é pesado.**
- **Instale e nivele o aparelho numa área adequada para o seu tamanho e utilização.**
- **Certifique-se de que as informações elétricas na placa de classificação correspondem à fonte de alimentação. Se não, entre em contato com um electricista.**
- **O aparelho é operado por uma fonte de alimentação de 220-240 VAC/50 Hz. Uma flutuação da tensão anormal pode fazer com que o aparelho não ligue ou danifique o controlo da temperatura ou o compressor, ou pode haver um ruído anormal durante o funcionamento. Nesse caso, deve ser montado um regulador automático.**
- **Apenas para o Reino Unido: O cabo de alimentação do aparelho está equipado com uma ficha de 3 cabos (terra) que se encaixa numa tomada standard de 3 cabos (ligada à terra). Nunca corte ou desmonte o terceiro pino (terra). Após a instalação do aparelho, a tomada deve ficar acessível.**
- **Certifique-se de que o cabo de alimentação não fica preso debaixo do aparelho durante e depois de transportar/mover o aparelho, para evitar que o cabo seja cortado ou danificado. Se o cabo de alimentação estiver danificado, deve ser substituído pelo fabricante, pelo seu**

- agente de serviço ou por pessoa qualificada, para evitar perigo
- Não instale o eletrodoméstico em locais húmidos, oleosos ou empoeirados, nem o exponha à luz solar direta e à água
  - Não instale o eletrodoméstico próximo de aquecedores ou de materiais inflamáveis
  - Não armazene produtos que contenham propulsor inflamável (por ex. latas de sprays) ou substâncias explosivas no aparelho. Risco de explosão!
  - Não armazene produtos que contenham propulsor inflamável (por ex. latas de sprays) ou substâncias explosivas no aparelho. Risco de explosão!
  - Não armazene produtos que contenham propulsor inflamável (por ex. latas de sprays) ou substâncias explosivas no aparelho. Risco de explosão!
  - Não puxe ou dobre excessivamente o cabo de alimentação ou toque a ficha com as mãos molhadas
  - Não armazene produtos que contenham propulsor inflamável (por ex. latas de sprays) ou substâncias explosivas no aparelho. Risco de explosão!
  - Não coloque artigos instáveis (objetos pesados, recipientes cheios de água) em cima do frigorífico, para evitar lesões pessoais causadas por queda ou choque elétrico causado pelo contato com a água.
  - Não usar aparelhos elétricos dentro dos compartimentos de armazenamento de alimentos do aparelho, exceto se forem do tipo recomendado pelo fabricante
  - Não toque nos elementos de refrigeração internos, especialmente com as mãos molhadas, para evitar rachas ou ferimentos
  - Correm maior risco as crianças, pessoas com capacidades físicas, mentais ou sensoriais limitadas, bem como pessoas que têm conhecimento inadequado sobre a operação segura do aparelho. Verifique se as crianças e as pessoas vulneráveis compreenderam os riscos. Uma pessoa responsável pela segurança deve fiscalizar ou instruir as crianças e pessoas vulneráveis que estão a utilizar o aparelho. Apenas crianças com idade igual ou superior a 8 anos podem utilizar o aparelho.
  - As crianças não devem brincar com o eletrodoméstico
  - Crianças com idades entre os 3 e os 8 anos não podem carregar e descarregar o aparelho
  - PARA aparelhos com um congelador: não armazene líquidos engarrafados ou enlatados (especialmente bebidas gaseificadas) no congelador. As garrafas e latas podem explodir!
  - PARA aparelhos com um congelador: nunca coloque alimentos congelados, diretamente do compartimento do congelador, na boca. Risco de queimaduras de baixa temperatura!
  - Mantenha as peças plásticas e o vedante da porta isentos de óleo e gordura. Caso contrário, as peças plásticas e o vedante da porta tornar-se-ão porosas.
  - Antes de realizar qualquer operação, desligue o cabo de alimentação da tomada elétrica
  - Não usar dispositivos mecânicos ou outros meios para acelerar o processo de descongelação, além dos recomendados pelo fabricante

- Não use objetos pontiagudos ou com arestas afiadas, como facas ou garfos, para remover o gelo. Nunca use secadores de cabelo, aquecedores elétricos ou outros aparelhos elétricos para descongelar
- Recomenda-se manter a ficha limpa, pois quaisquer resíduos de poeira excessivos na tomada pode provocar fogo
- Não tente reparar, desmontar ou modificar o aparelho sozinho. Em caso de reparação, entre sempre em contato com a nossa assistência ao cliente.
- Supervisione as crianças enquanto o aparelho estiver a ser limpo ou mantido.
- Não lave prateleiras de vidro frias com água quente. A mudança súbita de temperatura pode fazer com que o vidro se quebre.
- AVISO: Os tubos do circuito de refrigeração transmitem uma pequena quantidade de um refrigerante ecológico mas inflamável (R600a) e gás isolante (ciclopentano). Não danifica a camada de ozono e não aumenta o efeito estufa. Se ocorrer derrame de refrigerante, pode ferir os olhos ou inflamar.
- Caso o circuito refrigerante esteja danificado:
  - Desligue o aparelho e retire a ficha elétrica,
  - Mantenha as chamas nuas e/ou as fontes de ignição afastadas do aparelho
  - Ventile muito bem a sala durante vários minutos
  - Informe a assistência ao cliente.
- AVISO: Não danifique a ficha e/ou o cabo de alimentação; isso pode causar choques elétricos ou incêndios.
- AVISO: Não use tomadas múltiplas portáteis ou fontes de alimentação portáteis. Não recomendamos a utilização de extensões e adaptadores.
- Não se sente nem se ponha de pé em cima do aparelho. Pode magoar-se ou danificar o aparelho. Este aparelho não foi concebido para ser empilhado com qualquer outro aparelho.
- O produto foi desenhado e construído apenas para uso doméstico
- Só podem ser utilizadas peças originais fornecidas pelo fabricante. O fabricante garante que apenas estas peças satisfazem os requisitos de segurança.
- Abrir a porta durante longos períodos pode causar um aumento significativo da temperatura nos compartimentos do aparelho
- Limpar regularmente as superfícies que possam entrar em contacto com alimentos e sistemas de drenagem acessíveis
- Tanques de água limpa, se não forem utilizados durante 48h; lave o sistema de água ligado ao fornecimento de água se a água não for extraída durante 5 dias
- Guardar carne e peixe crus em recipientes adequados no congelador, que não fiquem em contacto ou pinguem sobre outros alimentos
- Os compartimentos de alimentos congelados de duas estrelas (se apresentados no aparelho) são adequados para armazenar alimentos pré-congelados, armazenar ou fazer gelados e cubos de gelo

- **Os compartimentos de uma, duas e três estrelas (se apresentados no aparelho) não são adequados para congelar alimentos frescos**
- **Se o aparelho ficar vazio durante longos períodos, deve desligar, descongelar, limpar, secar o mesmo e deixar a porta aberta para evitar o desenvolvimento do bolor no interior**
- **No caso dos aparelhos de armazenagem de vinhos: Este aparelho destina-se exclusivamente à armazenagem de vinhos**
- **No caso dos aparelhos de instalação livre: Este aparelho de refrigeração não se destina a ser utilizado como aparelho encastrável**
- **No caso dos aparelhos sem compartimento de quatro estrelas: Este aparelho de refrigeração não é adequado para congelar géneros alimentícios**

## Desmantelamento de um aparelhos antigos



Este equipamento está marcado em conformidade com a Diretiva Europeia 2012/19/UE sobre Resíduos Elétricos e Equipamento Eletrónico (REEE).


O REEE contém substâncias poluentes (que podem ser perigosas para o meio ambiente) e componentes básicos (que podem ser reutilizados). É importante que os REEE sejam submetidos a tratamentos específicos, para remover e eliminar adequadamente todos os poluentes e recuperar e reciclar todos os materiais.

As pessoas desempenham um papel importante para garantir que os REEE não representem um problema ambiental; para isso, é essencial que sejam cumpridas algumas regras básicas:

- Os REEE não devem ser tratados como lixo doméstico;
- Os REEE devem ser entregues nos pontos de recolha adequados administrados pelo município ou por empresas registadas. Em muitos países, para grandes REEE, pode estar disponível recolha doméstica.

Em muitos países, quando é comprado um aparelho novo, o antigo pode ser devolvido ao retalhista, que deve proceder à recolha gratuitamente, desde que o equipamento seja de tipo equivalente e tenha as mesmas funções do equipamento fornecido.

## Conformidade

Ao colocar a marca  neste produto, confirmamos a sua conformidade com todos os requisitos Europeus de segurança, saúde e ambientais que são mencionados na legislação aplicável para este produto.

## Garantia

A garantia mínima é: 2 anos para os países da UE, 3 anos para a Turquia, 1 ano para o Reino Unido, 1 ano para a Rússia, 3 anos para a Suécia, 2 anos para a Sérvia, 5 anos para a Noruega, 1 ano para Marrocos, 6 meses para a Argélia, Tunísia nenhuma garantia legal necessária.

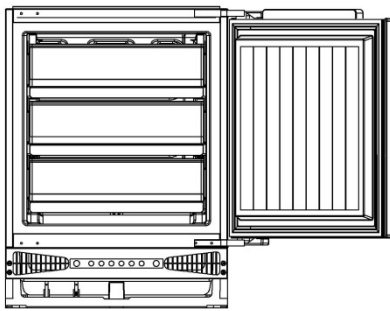
## Poupança de energia

Para maiores poupanças energéticas sugerimos:

- Instalar o eletrodoméstico afastado de fontes de calor e não exposto à luz solar direta e numa sala bem ventilada.
- Evitar colocar alimentos quentes no frigorífico para evitar o aumento da temperatura interna e, assim, causar o funcionamento contínuo do compressor.
- Não envolver excessivamente os alimentos de modo a garantir uma circulação adequada do ar.
- Descongelar o eletrodoméstico em caso de haver gelo para facilitar a transferência de frio.
- No caso de falha de energia elétrica, é aconselhável manter a porta do frigorífico fechada.
- Abrir ou manter as portas do eletrodoméstico abertas o mínimo possível
- Evitar ajustar as definições para temperaturas muito frias.
- Limpar o pó presente na parte traseira do aparelho



## DESCRIÇÃO DO APARELHO



A imagem é apenas para referência e pode ser diferente do seu produto.

A configuração mais econômica de energia requer que gavetas, caixa de alimentos e prateleiras sejam posicionadas no produto, consulte as fotos acima

## USANDO SEU CONGELADOR

### Antes de ligar

- o Certifique-se de que foi instalado por uma pessoa devidamente qualificada, de acordo com as informações contidas nas instruções de instalação.
- o Após a entrega, espere oito horas antes de conectar o aparelho à rede elétrica. Isso permitirá que quaisquer gases refrigerantes que possam ter sido perturbados durante o processo de transporte se assentem.
- o O exterior do aparelho e os acessórios removíveis nele contidos devem ser limpos com uma solução de detergente líquido e água.
- o O interior do aparelho deve ser limpo com uma solução de bicarbonato de sódio dissolvido em água morna. O interior e os acessórios devem ser bem secos, após a conclusão do processo de limpeza.
- o Pode haver um odor quando liga o aparelho pela primeira vez. Ele diminuirá quando o aparelho começar a esfriar.

### Durante a primeira utilização

- o Deve definir o botão do termostato para a sua definição máxima durante 24 horas depois de ter ligado o aparelho pela primeira vez.
- o Quando ligar o aparelho pela primeira vez, o compressor irá funcionar continuamente durante cerca de 24 horas ou até o congelador do refrigerador atingir uma temperatura suficiente.
- o Durante este período de tempo, deve tentar não abrir a porta com frequência ou colocar um grande número de alimentos no interior do aparelho.
- o Em seguida deve ajustar o botão do termostato novamente para a sua posição de funcionamento normal.
- o Se a unidade for desativada ou desligada da tomada, tem de permitir um período de pelo menos cinco minutos antes de reiniciar o aparelho no termostato ou de o voltar a ligar à tomada.

## FUNIONAMENTO

### Ligar o refrigerador

Existem no total 5 configurações de temperatura para o refrigerador. Depois de ligar à fonte de alimentação, o refrigerador será ajustado para a configuração padrão 3.

Botão “”: localizado no lado direito, utiliza-se para ligar/desligar o refrigerador premindo durante 3s.

Botão “”: localizado no lado esquerdo, utiliza-se para ajustar as definições de temperatura do refrigerador



### Ajustar a temperatura:

A temperatura dentro do refrigerador é ajustada premindo o botão esquerdo “”. Premindo o botão, as definições 1 a 5 representam temperaturas diferentes desde a mais alta à mais baixa.

“” indica a função de super refrigeração. Premindo o botão “” continuamente e selecionando a função super refrigeração. Quando ativado o símbolo SF acende-se. O período SF dura 24 horas e depois desliga-se automaticamente e é reposto o ajuste anterior do termostato.

Posição	Condições
1-2	Temperatura de verão ou ambiente entre 25-35 °C
3-4	Temperatura de primavera, outono ou ambiente entre 15-25 °C
4-5	Temperatura de inverno ou ambiente entre 5-15 °C
Função de super congelamento	Congelamento rápido

**Cuidado:** É necessário algum tempo até que o refrigerador atinja o nível definido quando são realizados ajustes à temperatura. A duração deste período é determinada pela diferença existente em relação à temperatura existente e a temperatura definida, a temperatura ambiente, a frequência com que a porta é aberta e fechada e a quantidade de alimentos guardados no refrigerador.

### O compartimento do congelador

- o É preciso que a temperatura do compartimento do congelador tenha atingido -18 graus centígrados (ou inferior) antes de tentar guardar alimentos que já estejam congelados ou antes de congelar alimentos frescos.
- o O compartimento do congelador é capaz de congelar apenas uma determinada quantidade de alimentos de cada vez. Não deve tentar congelar mais de 4,5 quilogramas de alimentos frescos num período de 24 horas.
- o Deve deixar alimentos quentes arrefecer antes de os tentar congelar. Se colocar alimentos quentes no congelador, então a humidade aumentada irá causar uma formação de gelo mais rápida e irá aumentar a potência que o aparelho usa.
- o Deve cumprir as instruções do produtor dos alimentos em relação ao tempo de armazenamento.
- o Alimentos descongelados não devem voltar a ser congelados.
- o Não abra a porta do congelador com muita frequência ou deixe a porta aberta durante longos períodos, uma vez que isto irá aumentar a temperatura no interior do aparelho e irá aumentar o uso de energia.

Posicione alimentos diferentes em compartimentos diferentes de acordo com a tabela abaixo

Compartimentos do refrigerador	Tipo de alimento
Gaveta (s)/ bandeja do congelador	<ul style="list-style-type: none"><li>• Alimentos para armazenamento a longo prazo.</li><li>• Gaveta de baixo para carne crua, aves, peixe.</li><li>• Gaveta do meio para legumes congelados, batatas fritas.</li><li>• Bandeja superior para gelado, frutas congeladas, produtos de panificação congelados.</li></ul>

## Sugestões de congelamento

- Sacos apropriados para o congelador, películas de polietileno, folha de alumínio (extra espessa) e latas especiais para alimentos congelados são apropriados para guardar alimentos congelados.
- Fita adesiva, elásticos ou clips de plástico são utensílios adequados para selar os sacos e embalagens.
- Antes de selar um saco apropriado, deve remover o ar do mesmo, uma vez que isto irá ajudar a que os alimentos congelem mais facilmente.
- Embalagens planas congelam mais facilmente.
- Se estiver a congelar um líquido, não encha o recipiente até acima. Os líquidos expandem depois de congelados.
- Para alimentos congelados, consulte o período de armazenamento indicado na embalagem do alimento. Este período de armazenamento é alcançado sempre que a configuração respeita as temperaturas de referência do compartimento (uma estrela -6 ° C, duas estrelas -12 ° C, três estrelas -18 ° C).

**Não coloque garrafas (de vidro ou alumínio) com líquidos (especialmente líquidos com gás) no congelador uma vez que isso pode fazer com que a garrafa rebente durante o congelamento.**

## Fazer cubos de gelo

- Encha a cuvette com água e coloque-a no compartimento do congelador.
- Depois da água estar completamente congelada e transformada em gelo, pode torcer a cuvette de gelo (conforme apresentado no desenho a seguir) para retirar o gelo.

## POUPAR ENERGIA AO UTILIZAR O SEU FRIGORÍFICO

### Instalação:

- Instale o aparelho num local fresco. Se o aparelho for colocado exposto a luz solar direta ou próximo de um forno ou de outra fonte de calor, o consumo energético pode aumentar consideravelmente.
- Certifique-se de que o aparelho é instalado segundo os requisitos de ventilação corretos. A restrição da ventilação pode aumentar o consumo energético em até 15%.

### Limpeza e manutenção:

- Ocasionalmente limpe as bobinas do condensador (se existentes) na parte traseira do aparelho para manter um nível de desempenho elevado.
- Descongele o aparelho regularmente. Uma acumulação de gelo diminui a eficiência do aparelho. Deve descongelar o aparelho quando o gelo atingir uma espessura de 5 mm.
- Limpe a junta da porta com água quente ou com um detergente neutro que não deixe resíduos. Uma junta de porta bem vedante é vital para a eficiência do seu aparelho.

### Utilização:

- Não abra a porta repetidamente ou com maior frequência do que o necessário.
- Não coloque o termóstato numa posição demasiado baixa. A alteração de apenas um grau pode afetar o consumo energético em 5%. Use um termómetro para verificar a temperatura.
- O congelador deve funcionar a cerca de -15 a -18 graus Celsius.
- Deixe os alimentos arrefecer suficientemente antes de os colocar no aparelho (mas não os deixe expostos à temperatura ambiente demasiado tempo).

- No congelador, as embalagens de alimentos devem estar espalhadas e nunca agrupadas ou empilhadas em conjunto até estarem completamente congeladas.
- Se irá estar ausente durante um longo período de tempo, desligue o aparelho, esvazie e limpe-o e deixe a porta aberta.
- Se tiver um segundo aparelho que não estiver a ser usado, certifique-se de que este é guardado desligado da tomada e com a porta aberta até precisar de usá-lo.

### Eliminação:

- Se irá eliminar o seu frigorífico antigo, verifique se existe um reciclador de clorofluorocarbonetos (CFC) na sua área. O departamento governamental responsável pelo ambiente na sua área poderá ajudá-lo.

## LIMPEZA E MANUTENÇÃO

AVISO: CERTIFIQUE-SE DE QUE O SEU APARELHO ESTÁ DESLIGADO DA TOMADA ANTES DE TENTAR LIMPÁ-LO.

- Não limpe o aparelho despejando água em cima do mesmo ou salpicando-o com água.
- O congelador deve ser limpo periodicamente, usando uma solução de bicarbonato de sódio e água morna.
- Limpe os acessórios separadamente com água e sabão. Não os lave numa máquina de lavar loiça.
- Não utilize produtos abrasivos, detergentes ou sabonetes.
- Depois de lavar o aparelho, limpe a área que limpou com um pano húmido e, em seguida, seque-a completamente.
- Quando terminar a limpeza, seque as mãos e, em seguida, volte a ligar a ficha à tomada elétrica.

### Descongelamento do compartimento do congelador

O gelo no compartimento do congelador deve ser removido periodicamente. Pode utilizar um raspador de plástico para impedir uma grande acumulação de gelo.

IMPORTANTE: O congelador deve ser descongelado pelo menos duas vezes por ano. O número de vezes que tem de descongelar o congelador irá depender da definição do seu termóstato e da quantidade de alimentos guardados e congelados no congelador.

- O dia antes de realizar o descongelamento, rode o botão giratório do termóstato para a posição <5>, o que irá assegurar que os alimentos contidos no congelador são congelados devidamente.
- Ao descongelar o aparelho, os alimentos devem ser removidos do congelador e embrulhados em várias camadas de papel e guardados num local fresco. O aumento de temperatura dos alimentos irá encurtar a vida de armazenamento dos mesmos e como tal os alimentos devem ser usados no espaço de um período de tempo relativamente curto.

NÃO VOLTE A COLOCAR ALIMENTOS QUE TENHAM DESCONGELADO NOVAMENTE NO CONGELADOR.

- Coloque o botão giratório do termóstato na posição <0> e desligue o aparelho da tomada.
- Deixe a porta do congelador aberta. Pode colocar uma tigela de água quente no interior do congelador para acelerar o processo de descongelamento.
- Pode usar uma esponja para absorver a água descongelada que irá correr para o fundo do congelador.

**IMPORTANTE:** Deve colocar umas toalhas velhas no chão imediatamente em frente do aparelho. No caso de alguma água descongelada sair do congelador e para o chão.

- o Uma vez derretido todo o gelo acumulado, deverá proceder à limpeza completa do interior do congelador. Se não o fizer, isto poderá resultar na acumulação imediata de gelo quando o aparelho for ligado novamente.
- o Com as mãos secas, volte a ligar o aparelho à tomada. Coloque o botão giratório do termóstato na posição <5> por um período de 24 horas, antes de o colocar novamente na posição normal de <3>.
- o Não tente congelar alimentos frescos no interior do congelador até este período de 24 horas ter terminado.

**Não descongele o aparelho com outros dispositivos elétricos (por ex. secador de cabelo). Não utilize objetos metálicos afiados para remover gelo do congelador, uma vez que isto pode danificar o sistema refrigerante.**

## INSTALAÇÃO

**IMPORTANTE:** Antes da instalação e da utilização leia todas as instruções e certifique-se de que a tensão (V) e a frequência (Hz) indicadas na placa de classificação são exatamente as mesmas que a tensão e a frequência em sua casa. A placa de classificação pode ser encontrada na extremidade esquerda frontal do interior do frigorífico.

O fabricante rejeita qualquer responsabilidade na eventualidade do instalador não cumprir todas as regulamentações de prevenção de acidentes em vigor, as quais são necessárias para uma utilização e um funcionamento normais do sistema elétrico.

### Ligação eléctrica

O SEU FRIGORÍFICO DESTINA-SE A INSTALAÇÃO PERMANENTE E ENCASTRÁVEL.

Recomendamos que o aparelho seja ligado por um electricista qualificado, que seja membro da N.I.C.E.I.C. que cumpra as regulamentações locais e da I.E.E.

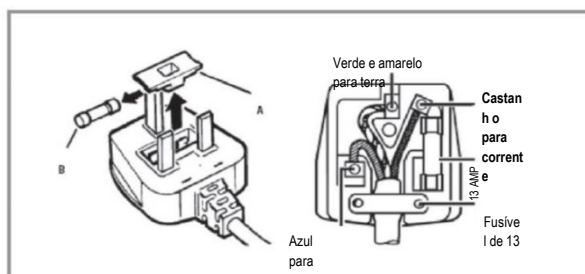
- o O seu congelador é fornecido com uma ficha com um fusível de 13 amperes instalado. Se no futuro tiver de substituir o fusível nesta ficha então tem de usar um fusível de 13 amperes com aprovação ASTA (BS 1362).
- o A ligação eléctrica da alimentação apresenta as seguintes cores:  
**Castanho** - Corrente  
**Azul** - Neutro  
**Verde e amarelo** – Terra
- o Uma vez que as cores dos fios no cabo de alimentação principal do aparelho podem não corresponder exatamente às marcas coloridas que identificam os terminais na sua caixa de fusíveis, proceda da seguinte forma:

O **fio castanho** tem de ser ligado ao terminal assinalado com "L" (corrente), ou com cor **vermelha**.

O **fio azul** tem de ser ligado ao terminal assinalado com "N" (neutro), ou com cor **preta**.

O **fio verde e amarelo** tem de ser ligado ao terminal assinalado com "E" (terra), ou com o símbolo de terra, ou com cor **verde e amarela**.

- o Quando a ligação estiver concluída, não devem existir fios cortados ou não ligados presentes. O prendedor do fio tem de ser fixado sobre a bainha exterior.



## Posicionamento

o É recomendado que o seu aparelho seja apenas instalado num local onde a temperatura ambiente da divisão corresponda à classificação de ambiente indicada na placa de classificação do seu aparelho. O seu aparelho pode não funcionar corretamente se a temperatura ambiente se encontrar fora dos seguintes intervalos:

- temperada alargada (SN): «Este aparelho de refrigeração destina-se a ser utilizado a temperaturas ambientes compreendidas entre 10 ° C e 32 ° C»;
- Temperada (N): «Este aparelho de refrigeração destina-se a ser utilizado a temperaturas ambientes compreendidas entre 16 ° C e 32 ° C»;
- Subtropical (ST): «Este aparelho de refrigeração destina-se a ser utilizado a temperaturas ambientes compreendidas entre 16 ° C e 38 ° C»;
- Tropical (T): «Este aparelho de refrigeração destina-se a ser utilizado a temperaturas ambientes compreendidas entre 16 ° C e 43 ° C»;

- o O seu aparelho não deve ser colocado exposto a luz solar direta ou a calor contínuo ou extremos de temperatura (por ex. próximo de um radiador ou de uma caldeira).
- o A porta deve poder abrir completamente e sem impedimentos.
- o O aparelho deve ser colocado num local de fácil acesso para obter os alimentos guardados no mesmo.
- o Deve verificar se existe uma tomada elétrica disponível, a qual deverá poder ser acedida depois de instalado o aparelho.

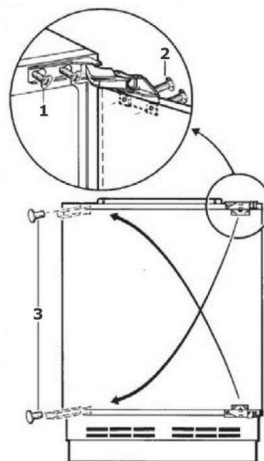
### Inverter a porta do seu aparelho

Este procedimento TEM de ser concluído antes da porta do móvel ser colocada. Quaisquer peças que retire do aparelho ao inverter a posição da porta, devem ser guardadas para uso posterior.

**AVISO - Tenha cuidado ao abrir as dobradiças, estas operam com molas e existe o risco de ferimento se fecharem na sua mão.**

Ferramentas necessárias:

- o Chave de fendas Phillips
- o Chave de fendas plana



- o Desaperte os parafusos de retenção **(1)** no aparelho e, em seguida, retire cuidadosamente a porta do aparelho.
- o Coloque a porta do aparelho sobre uma superfície almofadada, de modo a que não se danifique.
- o Retire as tampas da abertura **(3)**.
- o Introduza os parafusos de retenção **(1)** no lado oposto do aparelho em relação à sua posição original. Estes parafusos devem ser apertados parcialmente mas não apertados completamente.
- o Retire os parafusos de retenção da porta **(2)** e, em seguida, inverta a posição da dobradiça superior e inferior (conforme apresentado no

diagrama anterior).

- o Volte a prender a porta do aparelho e, em seguida, prenda completamente os parafusos de retenção (1) e os parafusos de retenção da porta (2).
- o Introduza as tampas de cobertura (3) nos orifícios que estão agora expostos no lado direito do armário.

**IMPORTANTE:** Verifique se a porta abre e fecha corretamente, sem problemas, depois de ter completado o processo de inversão da porta.

**Depois da porta ter sido invertida, deve verificar o vedante da porta do aparelho. O vedante não deve estar dobrado ou prensado; caso contrário existirá um espaço entre este e o interior da porta.**

- o O vedante tem de aderir devidamente em redor de toda a porta.
- o Se o vedante não aderir devidamente ao armário, então deve:

1. Usar um pano húmido macio e manipular o vedante até que este adira devidamente ao armário, em todo o redor da porta.

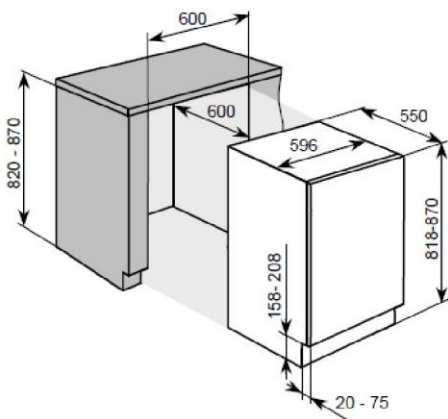
OU

2. Usar um secador de cabelo na sua definição mais baixa e aquecer ligeiramente as áreas da porta que não estão a aderir corretamente. O calor irá tornar o vedante mais flexível e isto irá permitir-lhe manipular o vedante para a posição correta.

**IMPORTANTE: NÃO AQUEÇA O VEDANTE DA PORTA COM NADA A NÃO SER A DEFINIÇÃO MAIS BAIXA DE CALOR, OU AQUEÇA O VEDANTE DURANTE UM LONGO PERÍODO DE TEMPO. CASO CONTRÁRIO PODE DANIFICAR O VEDANTE DA PORTA, DANO ESSE QUE NÃO SERIA RECTIFICADO GRATUITAMENTE AO ABRIGO DA GARANTIA.**

#### Dimensões da abertura

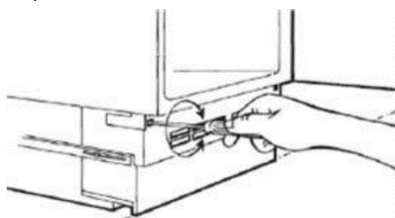
O diagrama a seguir mostra o tamanho da abertura que irá precisar para poder instalar o seu aparelho.



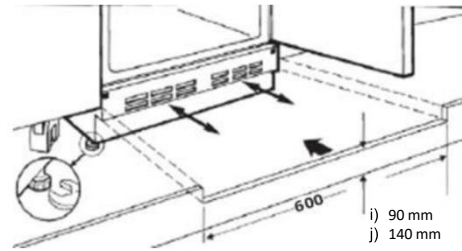
- o O aparelho deve ser instalado ao nível do solo. Pode usar os pés ajustáveis para ter em consideração qualquer desnível menor no solo.

#### Ajustar a base/prancha de base

Quando o aparelho tiver sido colocado por baixo da bancada, pode decidir colocar uma prancha de base ou uma base para corresponder com as suas restantes unidades da cozinha.



- o Retire a grelha na base do aparelho desparafusando os parafusos em cada lado da grelha e, em seguida, puxe a grelha para si.



- o Use uma chave inglesa para ajustar a altura dos pés ajustáveis.
- o Se a abertura tiver uma altura de 820 mm, então os pés ajustáveis devem ser apertados completamente.
- o Se a abertura tiver uma altura de 870 mm, então os pés ajustáveis devem ser colocados a uma altura de 50 mm.
- o O aparelho deve estar nivelado e alinhado com a parte inferior da bancada.

**IMPORTANTE:** Se o aparelho não estiver nivelado, então a porta e o vedante da porta podem ser afetados.

- o Deve realizar um recorte na base/prancha de base para ventilação. O recorte deve medir 600 mm de largura, e ter entre 140 mm e 90 mm de altura, consoante a altura em que instalou o seu aparelho.
- o Introduza a base/prancha de base e, em seguida, volte a colocar a grelha na sua posição original para a prender na sua posição.

**IMPORTANTE: Tenha em atenção que conforme apresentado no diagrama anterior, um recorte de ventilação de dimensão aproximada TEM de ser realizado na base/prancha de base do móvel.**

#### Colocar a porta do móvel no aparelho

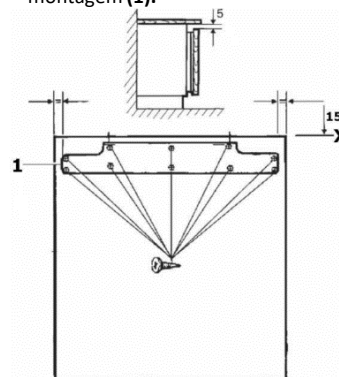
Se necessitar que a porta do aparelho abra a partir do lado oposto, então inverta a porta antes de iniciar o processo de instalação. (Ver "Inverter a secção da porta".)

Ferramentas necessárias:

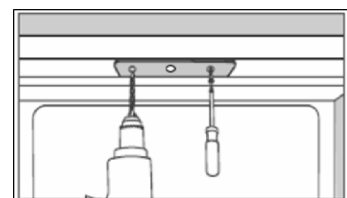
- o Fita métrica
- o Lápis afiado
- o Faca plana pequena
- o Chave inglesa

**IMPORTANTE:** Recomendamos que a instalação deste aparelho seja realizada por duas pessoas.

1. Desparafuse os parafusos das duas porcas de ajuste localizadas no topo da porta do aparelho e, em seguida, retire o suporte de montagem (1).

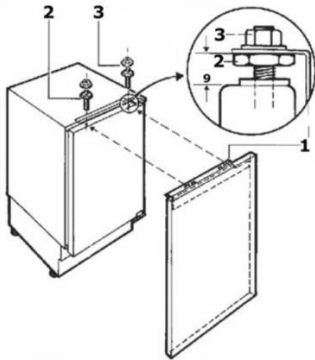


2. Meça a largura da porta do móvel, no ponto de metade da distância desenhe uma linha vertical descendente ao longo da

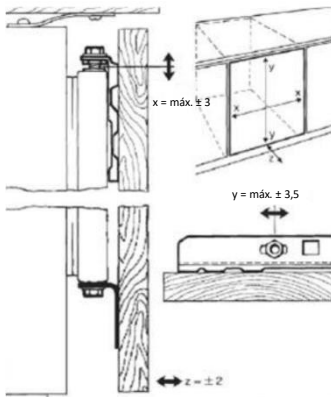


superfície interior da porta do móvel. Deve desenhar a linha desde o topo da porta do móvel até cerca de metade da distância descendente.

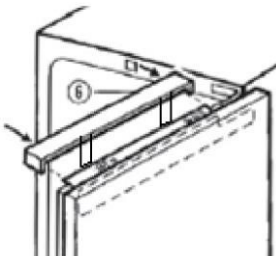
- o Coloque o suporte de montagem (1) no local inverso da porta do móvel.
- o O meio do suporte de montagem deve ser posicionado na linha que acabou de desenhar. Anote a posição do suporte de montagem no desenho anterior, para se certificar de que tem o suporte de montagem com o lado correto para cima.
- o O topo do suporte de montagem deve ser posicionado a cerca de 15 mm do topo da porta do móvel. Isto irá permitir-lhe um espaço de 5 mm entre o topo da porta do móvel, até à parte inferior da sua bancada.
- o Prenda o suporte de montagem à porta do móvel usando os parafusos fornecidos e uma chave de fendas Phillips. Estes parafusos devem ser bem apertados.



3. Pendure a porta do móvel na porta do aparelho, certificando-se de que os suportes no suporte de montagem se encontram sobre as porcas de ajuste.



4. Utilize uma chave de fendas para regular o espaço na secção inferior das porcas de ajuste. O espaço deve ser definido para cerca de 9 mm (conforme apresentado no desenho anterior).
5. Prenda o suporte inferior à parte inferior da porta do móvel e à parte inferior da porta do aparelho (conforme indicado no desenho na página anterior).
- o É possível realizar pequenos ajustes à posição da porta do móvel utilizando os parafusos na parte superior e inferior da porta do aparelho. Deve realizar estes ajustes de modo a que a porta do móvel esteja nivelada.



6. Introduza a placa de cobertura no topo do aparelho, sendo que esta irá clicar na sua posição.

7. Abra a porta do aparelho.

- o Use uma broca de tamanho apropriado para realizar furos no suporte, para o prender no topo da bancada. **IMPORTANTE: A broca deve ser apropriada ao material da bancada.**
- o Prenda o suporte à parte inferior da bancada, utilizando os parafusos fornecidos. **IMPORTANTE: Estes parafusos devem ser bem apertados.**
- o Se o aparelho estiver a ser instalado sob uma bancada de granito, use os suportes em forma de L fornecidos para prender o frigorífico à parte lateral do armário. Use uma broca de tamanho apropriado para realizar os três furos no suporte no lado do armário do lado oposto às dobradiças.
- o Os orifícios ovais assentam por cima das posições das dobradiças que não estão a ser usadas na parte frontal do aparelho. Use dois parafusos para prender o suporte à parte frontal do aparelho.

Verifique se a porta abre e fecha sem impedimentos, e também que a mesma veda corretamente.

## RESOLUÇÃO DE PROBLEMAS

**IMPORTANTE:** Se o seu congelador não aparentar estar a funcionar corretamente, antes de contactar a assistência ao cliente, consulte a lista de verificação a seguir.

### O meu congelador não parece estar a funcionar/não tem alimentação.

- o Verifique se a ficha está completamente inserida na tomada.
- o Verifique se existe corrente na sua tomada (por ex. se houve uma falha de energia ou se o fusível está fundido).
- o Verifique se o termóstato no interior do aparelho não foi colocado na posição <0>.
- o Verifique se a sua tensão de alimentação corresponde à tensão indicada na placa de classificação do seu aparelho.

### O meu congelador não está a funcionar corretamente

- o Verifique se o aparelho não está sobrecarregado e se não foram colocados alimentos em excesso no mesmo.
- o A definição do termóstato está demasiado baixa; deve aumentar o termóstato para uma definição mais alta.
- o Certifique-se de que a porta fecha corretamente e que não esteve equivocadamente aberta durante um período prolongado.
- o Certifique-se de o seu aparelho tem uma ventilação apropriada.

### O meu congelador faz muito ruído

- o O gás refrigerante que circula nos tubos do aparelho pode realizar um ligeiro ruído, mesmo que o compressor não esteja a funcionar.
- o Se o ruído aumentar ou se o aparelho realizar mais ruído do que o habitual: verifique se o aparelho está nivelado corretamente, se não existe nada a tocar na parte traseira do frigorífico e se não existe nada no interior do aparelho a balançar.

### Ocorreu a formação rápida de gelo na parede interior traseira do congelador

- o Verifique se os alimentos não foram empurrados demasiadamente para trás no interior do aparelho, entrando em contacto com a parede interior traseira.

**IMPORTANTE:** É normal ocorrer a formação de gotas de água na parede traseira do aparelho. A formação de gotas de água não indica uma avaria do aparelho.

### NÃO TENTE REALIZAR A REPARAÇÃO DO APARELHO POR SI PRÓPRIO.

Lembre-se que se for solicitada a visita de um técnico durante o período de garantia do produto e se este descobrir que o problema não é resultado de uma avaria do aparelho, então poderá ter de pagar o custo da deslocação. **O aparelho tem de ser acessível pelo técnico de modo a que este possa realizar qualquer reparação necessária. Se o seu aparelho estiver instalado de forma que o técnico considere que existe possibilidade de dano ao aparelho ou à sua cozinha, este não concluirá a reparação.**

Isto inclui situações em que aparelhos tenham sido inseridos em áreas fechadas com ladrilhos, selados com vedante, ou estejam obstruídos por madeiras em frente do aparelho, como por exemplo, bases.

Consulte as condições da garantia que surgem no cartão da garantia que recebeu com o aparelho.

#### **AVAILABILITY OF SPARE PARTS**

“Thermostats, temperature sensors, printed circuit boards and light sources are available for a minimum period of seven years after placing the last unit of the model on the market.

Door handles, door hinges, trays and baskets for a minimum period of seven years and door gaskets for a minimum period of 10 year, after placing the last unit of the model on the market”.

#### **TECHNICAL ASSISTANCE**

To contact the technical assistance, visit our website: <https://corporate.haier-europe.com/en/>

Under the section “website”, choose the brand of your product and your country. You will be redirected to the specific website where you can find the telephone number and form to contact the technical assistance

For further information about the product, please consult <https://eprel.ec.europa.eu/> or scan the QR on the energy label supplied with the appliance

## Nederlands

Dank u voor de aanschaf van dit product. Voordat u de koelkast gaat gebruiken dient u deze gebruiksaanwijzing aandachtig te lezen om de maximale prestaties van het apparaat te bereiken. Bewaar alle documentatie voor latere raadpleging of voor andere eigenaars. Dit product is uitsluitend bedoeld voor huishoudelijk gebruik of soortgelijke toepassingen, zoals:

- de personeelskeuken in winkels, kantoren en andere werkomgevingen
- op landbouwbedrijven, door cliënten in hotels, motels en andere woonomgevingen
- in Bed and Breakfasts (B&B)
- voor cateringservices en vergelijkbare toepassingen die niet voor retailverkoop zijn bedoeld.

Dit apparaat mag alleen worden gebruikt om voedsel te conserveren, elk ander gebruik wordt gevaarlijk geacht en de fabrikant aanvaardt geen aansprakelijkheid voor eventuele problemen. Verder adviseren wij u om de garantievoorwaarden te lezen.

## VEILIGHEIDSINFORMATIE

Lees de bedienings- en installatieinstructies zorgvuldig door! Ze bevatten belangrijke informatie over de installatie, het gebruik en het onderhoud van het apparaat. De fabrikant is niet aansprakelijk als u zich niet aan de instructies en waarschuwingen houdt. Bewaar alle documenten voor volgend gebruik of voor de volgende eigenaar.

- **Sluit het apparaat niet aan op de elektriciteitsvoorziening voordat alle verpakkingen en transportbeschermers zijn verwijderd. Houd kinderen uit de buurt van verpakkingen en onderdelen. Gevaar voor verstikking van vouwdoosjes en plastic folie!**
- **Laat het apparaat minstens 4 uur staan voordat u het inschakelt, zodat de compressorolie kan bezinken na horizontaal transport**
- **Controleer bij levering of het product niet beschadigd is en of alle onderdelen en accessoires in perfecte staat zijn**
- **Beschadig het koelmiddelcircuit niet.**
- **Zorg dat de ventilatieopeningen in de omkasting van het apparaat of in de inbouwconstructie nooit**

**verstopt raken of afgedekt worden**

- **Gebruik nooit water om de compressor te wassen, veeg deze na het reinigen grondig schoon met een droge doek om roestvorming te voorkomen**
- **Verplaats het apparaat altijd met ten minste twee personen, het is namelijk zwaar.**
- **Installeer het apparaat waterpas op een plaats die geschikt is voor de grootte en het gebruik ervan.**
- **Controleer of de elektrische informatie op het typeplaatje overeenkomt met de stroomvoorziening. Als dat niet het geval is, neem dan contact op met een elektricien.**
- **Het apparaat wordt gebruikt met een voeding van 220-240 VAC/50 Hz. Abnormale spanningsschommelingen kunnen ertoe leiden dat het apparaat niet start of dat de temperatuurregeling of de compressor beschadigd raakt of dat er tijdens het gebruik een abnormaal geluid optreedt. In dat geval moet er een automatische regelaar worden gemonteerd.**
- **Alleen voor Groot-Brittannië: Het netsnoer van het apparaat is voorzien van een 3-pins (geaarde) stekker die past op een standaard 3-pins (geaard) stopcontact. De derde pin (aarding) mag nooit worden afgesneden of gedemonteerd. Nadat het apparaat is geïnstalleerd, moet de stekker bereikbaar zijn.**
- **Zorg ervoor dat het netsnoer tijdens en na het dragen/verplaatsen van het apparaat niet onder het apparaat blijft vastzitten, om te voorkomen dat het netsnoer doorgesneden of beschadigd wordt. Als het netsnoer beschadigd is, moet het worden**

vervangen door de fabrikant, zijn servicevertegenwoordiger of andere bevoegde personen om gevaarlijke situaties te voorkomen

- Zet het apparaat niet op vochtige, olieachtige of stoffige plaatsen en stel het niet rechtstreeks bloot aan zonlicht en water
- Installeer het apparaat niet in de buurt van verwarmingen of ontvlambare materialen
- VOOR apparaten met een vriesvak: het deksel niet openen als er een stroomstoring is. Bevroren voedsel mag niet worden beïnvloed als de storing minder lang duurt dan de uren die op het etiket worden vermeld (Stijgtijd temperatuur). Als de storing langer duurt, moet het voedsel worden gecontroleerd en onmiddellijk worden geconsumeerd of bereid en daarna opnieuw ingevroren.
- Maakt u zich geen zorgen als het deksel van de diepvrieskist meteen nadat u hem heeft gesloten moeilijk te openen is. Dit komt door het drukverschil, dat gewoonlijk na enkele minuten verdwijnt waardoor het deksel gewoon kan worden geopend.
- Bewaar geen geneesmiddelen, bacteriën of chemische middelen in het apparaat. Dit apparaat is een huishoudelijk apparaat, het wordt niet aanbevolen om materialen op te slaan die strikte temperaturen vereisen.
- Trek niet aan het snoer en knik het niet; raak het niet met natte handen aan
- Bewaar geen producten die ontvlambare drijfgassen (bijv. spuitbussen) of explosieve stoffen bevatten in het apparaat. Risico op explosie!
- Plaats geen onstabiele voorwerpen (zware voorwerpen, containers gevuld met water) bovenop de koelkast, om persoonlijk letsel door vallen of elektrische schokken door contact met water te voorkomen.
- Gebruik geen elektrische apparaten in de bewaarkasten voor voedingsmiddelen van het apparaat, tenzij ze van het door de fabrikant aanbevolen type zijn
- Raak de interne koelelementen niet aan, vooral niet met natte handen, om scheuren of verwondingen te voorkomen
- Kinderen, mensen met beperkte lichamelijke, mentale of zintuiglijke vermogens, en mensen die onvoldoende kennis hebben over de veilige bediening van het apparaat lopen een groter risico. Controleer of kinderen en kwetsbare mensen de gevaren hebben begrepen. Een persoon die verantwoordelijk is voor de veiligheid moet toezicht houden op of instructies geven aan kinderen en kwetsbare personen die het apparaat gebruiken. Alleen kinderen van 8 jaar en ouder mogen het apparaat gebruiken.
- Kinderen mogen niet met het apparaat spelen
- Kinderen van 3 tot 8 jaar mogen dit apparaat in- en uitladen
- VOOR apparaten met een vriesvak: bewaar geen vloeistoffen in flessen of blik (vooral geen koolzuurhoudende dranken) in het vriesvak. Flessen en blikken kunnen barsten!



- **VOOR** apparaten met een vriesvak: plaats bevroren voedsel nooit rechtstreeks uit het vriesvak in uw mond. Risico op vrieswonden!
- Houd plastic onderdelen en de afdichting van de deur vrij van olie en vet. Anders zullen plastic onderdelen en de deurafdichting poreus worden.
- Haal de stekker uit het stopcontact voordat u welke handeling dan ook op het apparaat gaat verrichten
- Gebruik geen mechanische apparaten of andere middelen om het ontdooien te versnellen, behalve degene die worden aanbevolen door de fabrikant
- Gebruik geen puntige of scherpe voorwerpen zoals messen of vorken om de ijsafzettingen te verwijderen. Gebruik nooit föhnen, elektrische verwarmingstoestellen of andere dergelijke elektrische apparaten om te ontdooien
- Geadviseerd wordt om de stekker schoon te houden, stof op de stekker kan de oorzaak zijn van brand
- Probeer het apparaat niet zelf te repareren, te demonteren of te wijzigen. In geval van reparatie kunt u altijd contact opnemen met onze klantenservice.
- Houd tijdens het schoonmaken of onderhouden van het apparaat toezicht op kinderen.
- Reinig de koude glazen planken niet met heet water. Door plotselinge temperatuurveranderingen kan het glas breken.
- **WAARSCHUWING:** De leidingen van het koelcircuit transporteren een kleine hoeveelheid milieuvriendelijk maar ontvlambaar koelmiddel (R600a) en isolatiegas (cyclopentaan). Het is niet schadelijk voor de ozonlaag en vergroot het broeikaseffect niet. Als het koelmiddel ontsnapt, kan het letsel aan uw ogen veroorzaken of ontbranden.
- Als het koelcircuit beschadigd raakt:
  - Schakel het apparaat uit en trek de stekker uit het stopcontact.
  - Houd open vlammen en/of ontstekingsbronnen uit de buurt van het apparaat.
  - Ventileer de ruimte enkele minuten grondig.
  - Breng de klantenservice op de hoogte.
- **WAARSCHUWING:** Beschadig de stekker en/of het netsnoer niet; dit kan elektrische schokken of brand veroorzaken.
- **WAARSCHUWING:** Gebruik geen meerdere draagbare stopcontacten of draagbare voedingen. We raden het gebruik van verlengsnoeren en multi-adapters niet aan."
- Probeer niet op de bovenkant van het apparaat te zitten of staan. U kunt uzelf verwonden of het apparaat beschadigen. Dit apparaat is niet ontworpen om op andere apparaten te stapelen.
- Het product is uitsluitend ontworpen en gebouwd voor huishoudelijk gebruik
- Alleen originele onderdelen die door de fabrikant worden geleverd, mogen worden gebruikt. De fabrikant garandeert dat alleen deze onderdelen aan de veiligheidseisen voldoen.

- Het langdurig openen van de deur kan leiden tot een aanzienlijke verhoging van de temperatuur in de compartimenten van het apparaat
- Reinig regelmatig oppervlakken die in contact kunnen komen met levensmiddelen en toegankelijke afvoersystemen
- Reinig waterreservoirs als ze 48 uur niet zijn gebruikt; spoel de waterinstallatie door als er gedurende 5 dagen geen water is aangezogen
- Bewaar rauw vlees en vis in geschikte recipiënten in de koelkast, zodat deze niet in contact komen met of druipen op ander voedsel
- De diepvriesvakken met twee sterren (als ze in het apparaat aanwezig zijn) zijn geschikt voor het bewaren van voringevroren levensmiddelen, het bewaren of maken van ijs en het maken van ijsblokjes
- Een-, twee- en drie-sterren compartimenten (als ze in het apparaat aanwezig zijn) zijn niet geschikt voor het invriezen van verse levensmiddelen
- Als het apparaat gedurende lange tijd leeg is, moet u het uitschakelen, ontdooien, reinigen, drogen en de deur open laten om schimmelvorming in het apparaat te voorkomen
- Voor wijnbewaarkasten: Dit apparaat is uitsluitend bedoeld voor het bewaren van wijn
- Voor een vrijstaand apparaat: Dit koelapparaat is niet bedoeld om te worden gebruikt als inbouwapparaat

- Voor apparaten zonder 4-sterrencompartiment: dit koelapparaat is niet geschikt voor het invriezen van levensmiddelen

#### Afdanken van oude apparaten



Dit apparaat is voorzien van een merkteken in overeenstemming met de Europese richtlijn 2012/19/EU inzake Afgedankte Elektrische en Elektronische Apparatuur (AEEA).

AEEA bevat vervuilende stoffen (die negatieve gevolgen voor het milieu kunnen hebben) en basisonderdelen (die hergebruikt kunnen worden). Het is belangrijk om AEEA specifieke behandelingen te laten ondergaan, teneinde alle vervuilende stoffen te verwijderen of op de juiste manier af te voeren en alle materialen terug te winnen en te recyclen.

Personen kunnen een belangrijke rol spelen om ervoor te zorgen dat AEEA niet in het milieu terecht komt; hiervoor moeten enkele elementaire regels worden gevolgd:

- AEEA mag niet worden behandeld als gewoon huisvuil;
- AEEA moet naar een speciaal gemeentelijk inzamelpunt of naar geregistreerde bedrijven worden gebracht. In veel landen wordt grote AEEA thuis opgehaald.

Wanneer u een nieuw apparaat koopt, kunt u in veel landen uw oude apparaat inleveren bij de leverancier, die het gratis meeneemt, zolang de apparatuur van hetzelfde type is en dezelfde functies heeft als de geleverde apparatuur.

#### Naleving

Door het aanbrengen van de **CE**-markering op dit product, verklaren wij onder onze eigen verantwoordelijkheid dat dit product in overeenstemming is met alle Europese wettelijke voorschriften met betrekking tot de vereisten inzake veiligheid, gezondheid en milieu.

#### Garantie

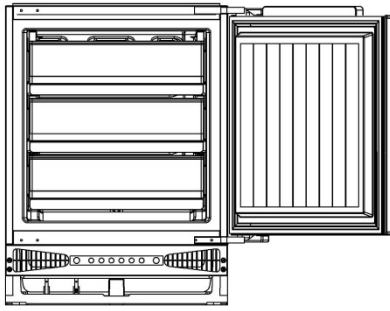
Minimumgarantie is: 2 jaar voor EU-landen, 3 jaar voor Turkije, 1 jaar voor het Verenigd Koninkrijk, 1 jaar voor Rusland, 3 jaar voor Zweden, 2 jaar voor Servië, 5 jaar voor Noorwegen, 1 jaar voor Marokko, 6 maanden voor Algerije, Tunesië geen wettelijke garantie vereist.

#### Energiebesparing

Voor meer energiebesparing adviseren we het volgende:

- Plaats het apparaat uit de buurt van warmtebronnen en niet blootgesteld aan direct zonlicht, in een goed geventileerde ruimte.
- Vermijd het plaatsn van warm voedsel in de koelkast om te voorkomen dat de interne temperatuur stijgt en dat de compressor dus continu in werking blijft.
- Zet niet te veel voedsel in het apparaat, want er moet voldoende lucht kunnen circuleren.
- Ontdooi het apparaat als er zich ijs gevormd heeft, om de koudeoverdracht te bevorderen.
- Als de stroom uitvalt, is het raadzaam de koelkastdeur gesloten te houden.
- Open de deuren van het apparaat zo weinig mogelijk en houd ze zo kort mogelijk open
- Zet de thermostaat niet op te lage temperaturen.
- Verwijder het stof van de achterkant van het apparaat

## BESCHRIJVING VAN HET APPARAAT



### OPMERKING:

De afbeelding is enkel ter referentie en kan van uw product afwijken.

De meest energiebesparende configuratie vereist dat lades, levensmiddelen en planken in het product worden geplaatst, zie de bovenstaande afbeeldingen.

## UW PROVISIEKOELEKAST GEBRUIKEN

### Vooraleer in te schakelen

- o Zorg ervoor dat het apparaat door een correct gekwalificeerde persoon is geïnstalleerd volgens de aanwijzingen in de instructies voor de installatie van het product.
- o Na de levering moet men acht uur wachten vooraleer het apparaat op de stroomvoorziening aan te sluiten. Op die manier kunnen koelgassen die tijdens het transportproces werden verstoord weer in evenwicht komen.
- o Maak het apparaat aan de buitenkant en de verwijderbare accessoires die erin zitten schoon met een oplossing van vloeibaar schoonmaakproduct en water.
- o Reinig het apparaat aan de binnenkant met een oplossing van natriumbicarbonaat opgelost in lauwwarm water. Maak de binnenkant en de accessoires grondig droog wanneer het reinigingsproces is voltooid.
- o Wanneer u het apparaat voor de eerste keer inschakelt, kan er een geur vrijkomen. Deze geur neemt af wanneer het apparaat begint te koelen.

### Tijdens het eerste gebruik

- o Stel de knop van de thermostaat gedurende 24 uur na de eerste inschakeling van het apparaat op de maximuminstelling in.
- o Wanneer u het apparaat voor de eerste keer inschakelt, werkt de compressor ongeveer 24 uur continu ofwel tot het vriesvak van de koelkast op de juiste temperatuur komt.
- o Tijdens deze tijdsspanne mag u de deur niet vaak openen of grote hoeveelheden voedingswaren in het apparaat doen.
- o Daarna past u de thermostaat aan en draait u terug naar de normale werkstand.
- o Als het apparaat wordt uitgezet of de stekker uit het stopcontact wordt gehaald, moet u minstens 5 minuten wachten vooraleer het apparaat opnieuw start via de thermostaat of door de stekker in het stopcontact te steken.

## BEDIENING

### De koelkast starten

Er zijn in totaal 6 temperatuurinstellingen voor de koelkast. Na aansluiting op de stroomvoorziening wordt de koelkast ingesteld op stand 3, de standaardinstelling.

Knop "🔌": op de rechterkant, 3 s ingedrukt houden om de koelkast in/uit te schakelen.

Knop "🌡️": op de linkerkant, om de temperatuurinstellingen van de koelkast aan te passen



### De temperatuur aanpassen:

De temperatuur in de koelkast wordt aangepast door op de linker knop "🌡️" te drukken. De instellingen 1 t/m 5 op de knop geven de verschillende temperaturen weer, van de hoogste tot de laagste.

"\*" geeft de supervriesfunctie aan. Houd de knop "🌡️" ingedrukt en selecteer de supervriesfunctie. Het SF-symbool brandt wanneer de functie is ingeschakeld. De SF-periode duurt 24 uur; daarna wordt de functie automatisch uitgeschakeld en wordt de vorige thermostaatinstelling hersteld.

Positie	Condities
1-2	Zomer of omgevingstemperatuur tussen 25-35°C.
3-4	Lente, herfst of omgevingstemperatuur tussen 15-25°C.
4-5	Winter of omgevingstemperatuur tussen 5-15°C.
Super bevroeringsfunctie	Snel bevroeren

**Opgelet:** De koelkast heeft wat tijd nodig om het ingestelde niveau te bereiken wanneer aanpassingen van de temperatuur worden uitgevoerd. De duur is bepaald door het verschil tussen de bestaande en de ingestelde temperaturen, de omgevingstemperatuur, de frequentie waarmee de deur wordt geopend en dichtgedaan, en de hoeveelheid voedingswaren die opgeslagen zijn.

### Het diepvriesvak

- o De temperatuur van het diepvriesvak moet al - 18 graden Celsius (of lager) hebben bereikt voordat u er voedingswaren in gaat opbergen dat al bevroren is of verse voedingswaren gaat invriezen.
- o Het diepvriesvak kan alleen een bepaalde hoeveelheid voeding tegelijk invriezen. U mag niet meer dan 4,5 kilogram verse voeding binnen een tijdsspanne van 24 uur invriezen.
- o Laat warme voeding eerst afkoelen voordat u het gaat invriezen. Als u warme voeding in de diepvries plaatst, veroorzaakt de grotere vochtigheid snellere ijsvorming en een toename van het stroomverbruik.
- o Volg de aanwijzingen van de fabrikant van de voedingswaren wat de maximale bewaartijd betreft.
- o Ontdooid voeding mag niet opnieuw worden ingevroren.
- o Open de deur van de diepvries niet te vaak en laat de deur niet lange tijd open staan, omdat daardoor de temperatuur in het apparaat stijgt en het energieverbruik toeneemt.

Positioneer verschillende voedingsmiddelen in verschillende compartimenten volgens onderstaande tabel

Koelkastvakken	Type voeding
Vrieslade (s)/ lade	<ul style="list-style-type: none"><li>• Voedingsmiddelen voor langdurige opslag.</li><li>• Onderste lade voor rauw vlees, gevogelte, vis.</li><li>• Middelste lade voor firozen groenten, chips.</li><li>• Bovenste lade voor ijs, bevroren fruit, bevroren gebakken goederen.</li></ul>

### Tips om in te vriezen

- o Diepvrieszakken, wikkels in polyethyleen, (extra dik) aluminiumfolie en speciale bekertjes voor bevroren voeding zijn geschikte verpakkingen om bevroren voedingswaren in te bewaren.
- o Tape, rubberen elastiekjes of plastic clips zijn geschikt om zakken en wikkels mee te dichten.
- o Voordat u een geschikte zak dicht, moet u de lucht eruit drukken: dit helpt om de voeding erin gemakkelijker in te vriezen.
- o Platte verpakkingen bevroren gemakkelijker.
- o Als u een vloeistof invriest, mag u het recipiënt niet tot aan de

rand vullen. Vloeistoffen zetten uit wanneer ze bevroren.

- o Raadpleeg voor diepvriesproducten de bewaartijd die op de verpakking van het voedingsmiddel vermeld staat. Deze bewaartijd wordt bereikt wanneer de instelling in overeenstemming is met de referentietemperaturen van het vriesvak (één ster -6°C, twee sterren -12°C, drie sterren -18°C).

**Plaats geen flessen (glas of blik) met vloeistoffen erin (vooral vloeistoffen met bruis) in de diepvries, omdat deze vloeistoffen de fles tijdens het invriezen kunnen doen barsten.**

#### **Ijsblokjes maken.**

- o Vul het bakje voor ijsblokjes met water en plaats het in het diepvriesvak.
- o Wanneer het water volledig is bevroren en ijs is geworden, kunt u het bakje met ijsblokjes omdraaien (zoals in onderstaande tekening geïllustreerd) om het ijs eruit te halen.

#### **ENERGIE BESPAREN TERWIJL U UW KOELKAST GEBRUIKT**

##### **Installeren:**

- o Installeer het apparaat op een koele plaats. Indien het in rechtstreeks zonlicht of naast een oven of een andere warmtebron wordt opgesteld, kan het energieverbruik aanzienlijk toenemen.
- o Zorg ervoor dat het apparaat volgens de correcte ventilatievereisten is geïnstalleerd. De ventilatie beperken kan het energieverbruik met 15% doen toenemen.

##### **Reiniging en onderhoud:**

- o Maak de wikkelingen van de condensator (indien aanwezig) aan de achterkant van het apparaat schoon om een hoog prestatieniveau te behouden.
- o Ontdooi het apparaat regelmatig. Een dikke ijslaag vermindert de efficiëntie van het apparaat. Ontdooi zodra het ijs 5 mm dik is.
- o Reinig de pakking van de deur met warm water of een neutraal schoonmaakproduct dat geen residuen achterlaat. Een hermetisch dichte deurpakking is van cruciaal belang voor de efficiëntie van uw apparaat.

##### **Gebruik:**

- o De deur niet herhaaldelijk openen of vaker dan nodig is.
- o De thermostaat niet te laag instellen. Een wijziging van slechts één graad kan gevolgen hebben voor het energieverbruik, dat met 5% toeneemt. Gebruik een thermometer om de temperatuur te controleren.
- o De diepvries moet op -15 tot -18 graden Celsius werken
- o Laat de voedingswaren voldoende afkoelen voordat u die in het apparaat (maar laat die niet te lang op kamertemperatuur staan).
- o In de diepvries moeten pakken met voedingswaren verdeeld liggen, nooit gegroepeerd of op elkaar gelegd, tot ze volledig zijn ingevroren.
- o Als u voor een lange tijd weggaat, moet u het apparaat uitschakelen, leegmaken, reinigen en de deur op een kier laten staan.
- o Als u een tweede apparaat hebt dat niet wordt gebruikt, moet u ervoor zorgen dat die is opgeborgen met de stroomvoorziening uit en de deur op een kier tot u het apparaat opnieuw gaat gebruiken.

##### **Afdanking:**

- o Als u op het punt staat om uw oude koelkast af te danken, dan moet u controleren of er een recyclage van chloorfluorkoolwaterstoffen (CFK's) in de buurt is. De regeringsinstantie die instaat voor het milieu in uw buurt kan u daarbij helpen.

#### **REINIGING EN ONDERHOUD**

**WAARSCHUWING: ZORG ERVOOR DAT DE STEKKER VAN UW APPARAAT UIT HET STOPCONTACT IS GEHAALD VOORDAT U HET GAAT REINIGEN.**

- o Het apparaat niet reinigen door water erop te gieten of water over te spuiten.
- o Maak de diepvries regelmatig schoon met een oplossing van natriumbicarbonaat en lauwwarm water.
- o Reinig de accessoires apart met zeep en water. Reinig ze niet in een vaatwasmachine.
- o Gebruik geen schurende producten, schoonmaakproducten of zeep.
- o Wanneer het apparaat is afgewassen, veegt u met een vochtige doek over de zone die u hebt schoongemaakt en droog daarna grondig af.
- o Wanneer de reiniging is voltooid, moet u uw handen afdrogen en daarna de stekker in het stopcontact steken.

#### **Ontdooien van het diepvriesvak**

Neem het ijs in het diepvriesvak regelmatig weg. U kunt een plastic schraper gebruiken om de hoeveelheid opgebouwd ijs te verminderen.

**BELANGRIJK:** De diepvries moet minstens twee keer per jaar worden ontdooit. Het aantal keren ontdooien is afhankelijk van de instellingen van uw thermostaat en hoeveel voedingswaren u invriest en in de diepvries bewaart.

- o De dag voordat u ontdooit, draait u de knop van de thermostaat naar de stand <5>, op die manier garandeert u dat de voedingswaren in de diepvries goed ingevroren zijn.
- o Haal de voedingswaren uit de diepvries, wikkel het in verschillende lagen papier en leg het op een koele plaats wanneer u het apparaat ontdooit. De temperatuurstijging doet de bewaartijd van de voedingswaren verkorten, daarom moet u deze voedingswaren relatief snel gebruiken.

#### **PLAATS DE VOEDINGSWAREN NIET TERUG IN DE DIEPVRIES WANNEER HET APPARAAT BEGINT TE ONTDOOIE.**

- o Stel de knop van de thermostaat in op <0> en haal de stekker van het apparaat uit het stopcontact.
- o Laat de deur van de diepvries open staan. U kunt een kom met warm water in de diepvries plaatsen om het dooiproces te versnellen.
- o U kunt een spons gebruiken om het dooiwater op te deppen dat onderaan in de diepvries blijft staan.

**BELANGRIJK:** Leg oude handdoeken op de vloer onmiddellijk onder het apparaat. Indien er dooiwater uit de diepvries loopt en op de vloer druipt.

- o Wanneer alle opgebouwde ijs gesmolten is, moet u de diepvries vanbinnen grondig drogen. Als u dit niet doet, dan gaat er zich onmiddellijk opnieuw ijs vormen zodra het apparaat wordt ingeschakeld.
- o Steek de stekker van het apparaat opnieuw in het stopcontact met droge handen. Stel de knop van de thermostaat gedurende 24 uur in op <5> voordat u opnieuw op de normale instelling <3> instelt.
- o Doe geen verse voedingswaren in de diepvries tot deze periode van 24 uur is verstreken.

**Het apparaat niet ontdooien met behulp van andere elektrische toestellen (vb. een haardroger). Geen scherpe metalen voorwerpen gebruiken om ijs op de diepvries weg te nemen, omdat u hierdoor het koelsysteem kunt beschadigen.**

## INSTALLATIE

**BELANGRIJK:** Voordat u het apparaat installeert en gebruikt, moet u alle instructies lezen en controleren of de spanning (V) en de frequentie (Hz) aangegeven op het identificatieplaatje exact overeenstemmen met de spanning en de frequentie in uw huis. Het identificatieplaatje bevindt zich vooraan links bij de rand aan de binnenkant van de koelkast.

De fabrikant wijst alle verantwoordelijkheid af in geval de installateur alle voorschriften inzake ongevallenpreventie die van kracht zijn niet naleeft. Deze voorschriften zijn noodzakelijk voor een normaal gebruik en voor de normale werking van het elektrische systeem.

### Elektrische verbinding

UW DIEPVRIES IS BEDOELD VOOR VASTE, PERMANENTE INSTALLATIE.

Wij raden aan dat het apparaat door een gekwalificeerde technicus wordt aangesloten, die lid is van de N.I.C.E.I.C. en die voldoet aan de I.E.E. en aan de plaatselijke normvoorschriften.

- o Uw diepvries wordt geleverd met een stekker van 13 amp. Als u in de toekomst de zekering in deze stekker moet vervangen, dan moet u een ASTA-goedgekeurde zekering van 13 amp (BS 1362) gebruiken.
- o De bedrading in de hoofdleidingen is als volgt gekleurd:  
**Bruin** Spanning

**Blauw** Neutraal

**Groen en geel** Aarding

- o Wanneer de kleuren van de draden in de hoofdleiding van uw apparaat niet overeenstemmen met de gekleurde markeringen die de eindklemmen in uw klemmenbord identificeren, handelt u als volgt:

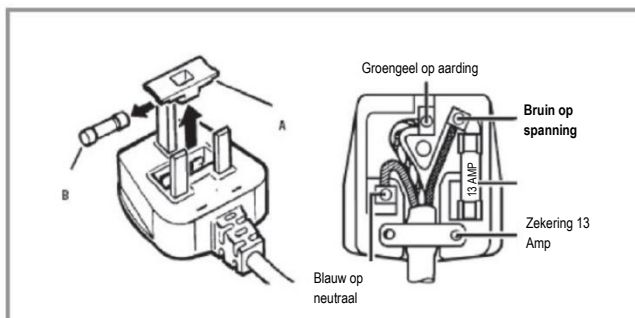
De **bruine draad** moet worden aangesloten op de eindklem gemarkeerd met "L" (spanning), of **rood gekleurd**.

De **blauwe draad** moet worden aangesloten op de eindklem gemarkeerd met "N" (neutraal), of **zwart gekleurd**.

De **groengele draad** moet worden aangesloten op de eindklem gemarkeerd

met "E" (aarding), of met het aardingssymbool, of **groengeel gekleurd**.

- o Wanneer de aansluiting is voltooid, mogen er geen losse draden of doorgesneden kabels aanwezig zijn. Zet de kabelklem vast op het buitenste bekleding.



## Plaatsing

- o Het is aanbevolen dat uw apparaat wordt opgesteld op een plaats waar de omgevingstemperatuur van de kamer overeenstemt met de klimaatclassificatie die op het identificatieplaatje van uw apparaat is vermeld. Uw apparaat kan niet correct werken als de omgevingstemperatuur buiten de volgende ranges valt.
  - o Uitgebreid gematigd (SN): "dit koelapparaat is bedoeld voor gebruik bij omgevingstemperaturen van 10 °C tot 32 °C"
  - o Gematigd (N): "dit koelapparaat is bedoeld voor gebruik bij omgevingstemperaturen van 16 °C tot 32 °C"
  - o Subtropisch (ST): "dit koelapparaat is bedoeld voor gebruik bij omgevingstemperaturen van 16 °C tot 38 °C"
  - o Tropisch (T): "dit koelapparaat is bedoeld voor gebruik bij omgevingstemperaturen van 16 °C tot 43 °C"
- o Uw apparaat mag niet in rechtstreekst zonlicht staan of blootgesteld zijn aan continue hitte of extreme temperaturen (vb. naast een radiator of boiler).
- o U moet de deur volledig en zonder belemmeringen kunnen openen.
- o Het apparaat moet worden opgesteld zodat u gemakkelijk bij de voedingswaren kunt komen die erin worden bewaard.
- o U moet controleren of er een stopcontact beschikbaar is dat toegankelijk is nadat uw apparaat is geïnstalleerd.

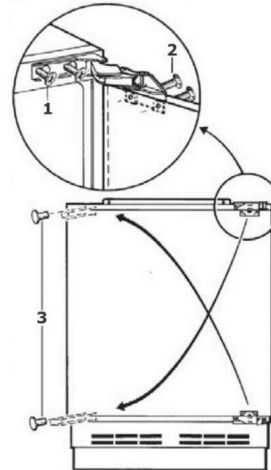
### De deur van uw apparaat omkeren

Deze procedure MOET worden uitgevoerd voordat de meubeldeur wordt bevestigd. Delen die u van het apparaat wegneemt terwijl u de deur omkeert, moeten worden bewaard om ze later opnieuw te gebruiken.

**WAARSCHUWING** - Let op wanneer u de hengsels opent: zij zijn via een veer geladen en er bestaat risico voor verwondingen als ze op uw hand dichtgaan.

Benodigd gereedschap:

- o Phillips schroevendraaier
- o Platte schroevendraaier



- o Los de bevestigingsschroeven (1) op het apparaat en verwijder deur van het apparaat vervolgens voorzichtig.
- o Plaats de deur van het apparaat op een zacht oppervlak, zodat het niet beschadigd raakt.
- o Haal de afdekkappen (3) weg.
- o Plaats de bevestigingsschroeven (1) aan de andere kant van het apparaat van waar ze oorspronkelijk zaten. Zet deze schroeven gedeeltelijk vast maar niet helemaal aangehaald.
- o Verwijder de schroeven die de deur vastzetten (2) en wissel vervolgens de positie van het bovenste en onderste hengsel om (zoals in bovenstaand diagram voorgesteld).
- o Maak de deur van het apparaat opnieuw vast en haal de bevestigingsschroeven (1) en de schroeven die de deur vastzetten (2) volledig aan.
- o Plaats de afdekkappen (3) in de gaten die nu blootgesteld zijn aan de rechterkant van de kast.

**BELANGRIJK:** Controleer of de deur correct open en dicht gaat, zonder te klemmen, nadat het proces om de deur om te keren is voltooid.

**Wanneer de deur is omgekeerd, moet u controleren of de deur van het apparaat correct afdicht. De pakking mag niet geplooid of platgedrukt zijn, anders is er een opening tussen de pakking en de binnenkant van de deur.**

- o De pakking moet correct rondom de deur aanhechten.
- o Als de pakking niet correct rondom de deur aanhecht, doet u het volgende:

1. Gebruik een warme, vochtige doeken en manipuleer de pakking tot die correct aan de kast hecht, rondom de hele deur.

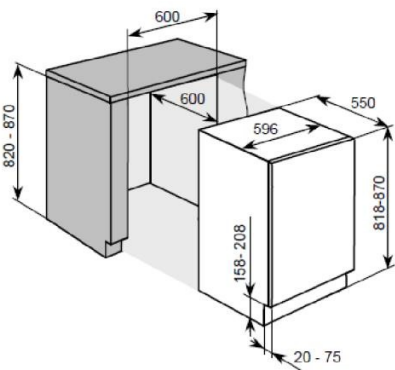
*Ofwel*

2. Gebruik een haardroger op de laagste temperatuurstelling en verwarm de zones van de pakking van de deur die niet correct aanhechten lichtjes. De warmte maakt de pakking meer plooibaar en zo kunt u de pakking in de correcte positie manipuleren.

**BELANGRIJK: DE PAKKING VAN DE DEUR ENKEL OP DE LAAGSTE TEMPERATUUIINSTELLING VERWARMEN. DE PAKKING NIET GEDURENDE LANGE TIJD VERWARMEN. ANDERS KAN DE PAKKING VAN DE DEUR BESCHADIGD RAKEN. DIT WORDT NIET ONDER GARANTIE KOSTENLOOS GECORRIGEERD.**

#### Afmetingen van de opening

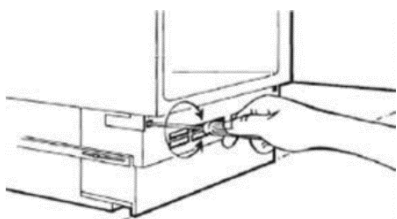
Onderstaand diagram geeft de grootte aan van de opening die u nodig hebt om uw apparaat te installeren.



- o Het apparaat moet op een effen vloer staan. U kunt de stelvoetjes gebruiken om een minieme oneffenheid van de vloer te corrigeren.

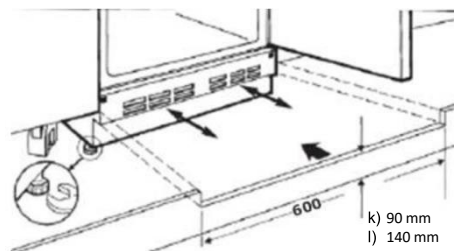
#### De plint/deklat aanpassen

Wanneer het apparaat onder het werkblad wordt geplaatst, kunt u beslissen om een plint of deklat aan te brengen, die past bij uw bestaande keukenmeubilair.



- o Verwijder het rooster aan de onderkant van het apparaat door de schroeven aan beide zijden van het rooster los te draaien en

het rooster vervolgens naar u toe te trekken.



- o Gebruik een spanner om de hoogte van de verstelbare voetjes aan te passen.
- o Als uw opening een hoogte van 820 mm heeft, moet u de verstelbare voetjes volledig vastzetten.
- o Als uw opening een hoogte van 870 mm heeft, moet u de verstelbare voetjes op een hoogte van 50 mm instellen.
- o Het apparaat moet naadloos aansluiten op de onderkant van het werkblad en waterpas zijn. **BELANGRIJK:** Als het apparaat niet waterpas is, dan kan dit invloed hebben op de deur en de dichting van de deur.
- o Maak een uitsparing in de plint/deklat voor ventilatie. De uitsparing moet 600 mm breed zijn, en tussen 140 mm en 90 mm hoog, afhankelijk van de hoogte waarop u uw apparaat stelt.
- o Plaats de plint/deklat en bevestig het rooster daarna terug op zijn oorspronkelijke positie, om het op zijn plaats te houden.

**BELANGRIJK: Merk op dat een uitsparing voor ventilatie met een correcte grootte in de plint/deklat van het meubilair MOET worden gemaakt, zoals in bovenstaande tekening geïllustreerd.**

#### De meubeldeur op het apparaat bevestigen

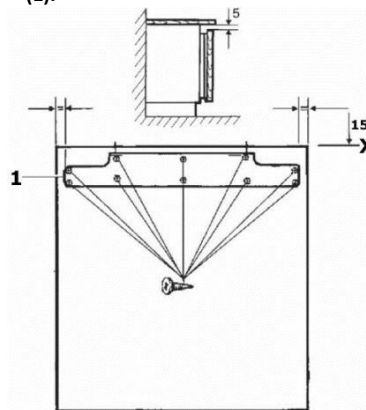
Als de deur van het apparaat aan de voorkant aan de andere kant moet opengaan, dan moet u de deur omkeren voordat u begint te installeren. (zie paragraaf "De deur omkeren").

Benodigd gereedschap:

- o Meetlint
- o Potlood
- o Klein platte arm
- o Spanner

**BELANGRIJK: Wij raden aan dat twee personen dit apparaat installeren.**

1. Haal de schroeven van de twee stelbouten die aan de bovenkant van de deur van het apparaat zitten en verwijder vervolgens de montagebeugel (1).

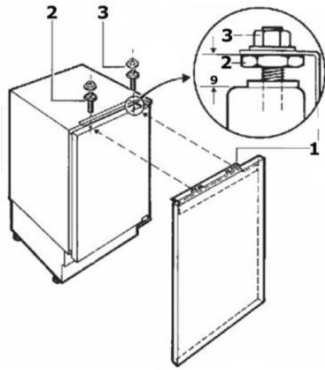


2. Meet de breedte van de meubeldeur, markeer halverwege een lijn verticaal naar beneden aan de binnenkant van de meubeldeur. Trek de lijn van de bovenkant van de meubeldeur tot ongeveer halverwege naar beneden.

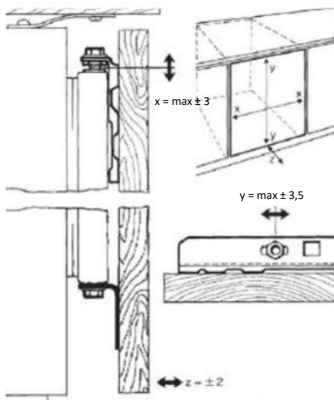
- o Plaats de montagebeugel (1) op de rugzijde van de meubeldeur.
- o Het midden van de montagebeugel moet op de lijn worden geplaatst die u zonet hebt getekend. Noteer de positie van de montagebeugel in bovenstaande tekening, om zeker te zijn dat u de montagebeugel op de correcte manier hebt aangebracht.
- o De bovenkant van de montagebeugel moet op ongeveer 15 mm van de bovenkant van de meubeldeur worden aangebracht. Op die manier

verkrijgt u een opening van 5 mm van de bovenkant van de meubeldeur tot de onderkant van uw werkblad.

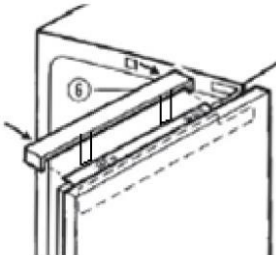
- o Bevestig de montagebeugel op de meubeldeur met behulp van de voorziene schroeven en een Philips schroevendraaier. Deze schroeven moeten volledig worden aangehaald.



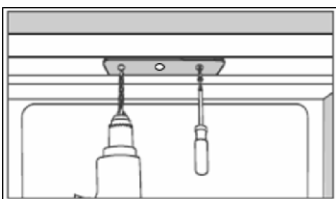
3. Hang de meubeldeur aan de deur van het apparaat, zorg ervoor dat de beugels op de montagebeugel boven de stelbouten zitten.



4. Gebruik een schroevendraaier om de opening op de onderste sectie van de stelbouten aan te passen. De opening moet op ongeveer 9 mm worden ingesteld (zoals in bovenstaande tekening is te zien).
5. Bevestig de onderste beugel aan de onderkant van de meubeldeur en de onderkant van de deur van het apparaat (zoals geïllustreerd in de tekening op de vorige pagina).
- o U kunt minieme aanpassingen aan de positie van de meubeldeur uitvoeren met behulp van de schroeven aan de bovenkant en onderkant van de deur van het apparaat. Voer deze aanpassingen uit zodat de meubeldeur waterpas is.



6. Plaats de afdekplaat op de bovenkant van het apparaat; deze klikt gewoon op zijn plaats vast.



7. Open de deur van het apparaat.

- o Gebruik een boor met een geschikte boorpunt om door de gaten in de beugel in het werkblad te boren. **BELANGRIJK:** De boorpunt moet geschikt zijn voor het materiaal waaruit uw werkblad is gemaakt.
- o Zet de beugel vast aan de onderzijde van het werkblad met behulp van de voorziene schroeven. **BELANGRIJK:** Deze schroeven moeten volledig worden aangehaald.
- o Indien het apparaat onder een werkblad in graniet wordt geïnstalleerd, gebruikt u de voorziene L-vormige beugels om de koelkast aan de zijkant van de kast vast te maken. Gebruik een boorpunt van geschikte grootte om door de drie gaten in de beugel in de zijkant van de kast te boren, aan de zijde tegenover de hengsels.
- o De ovale gaten rusten boven de hengselposities die niet aan de voorkant van het apparaat worden gebruikt. Gebruik twee schroeven om de beugel aan de voorkant van het apparaat vast te maken.

Controleer of de deur zonder haperen open en dicht gaat, en controleer of de deur correct afdicht.

## PROBLEEMEN OPLOSSEN

**BELANGRIJK:** Als uw diepvries niet naar behoren werkt, dient u eerst onderstaande checklist te controleren vooraleer met de klantendienst contact op te nemen.

### Mijn diepvries lijkt niet te werken/mijn apparaat krijgt geen voeding.

- o Controleer of de stekker volledig in het stopcontact zit.
- o Controleer of uw stopcontact gevoed wordt (vb. of er geen stroomonderbreking is, ofwel of de zekering niet is doorgeslagen).
- o Controleer of de thermostaat in het apparaat niet op de stand <0> is gedraaid.
- o Controleer of de spanning van uw stroomvoorziening overeenstemt met de spanning op het identificatieplaatje van uw apparaat.

### Mijn diepvries lijkt slecht te presteren

- o Controleer of het apparaat niet overbelast is en of de voedingswaren niet te dicht op elkaar gepakt erin zitten.
- o De instelling van de thermostaat is te laag, zet de thermostaat hoger.
- o Controleer of de deur correct dicht is en of de deur niet per ongeluk gedurende een lange tijd open bleef staan.
- o Controleer of er voldoende ventilatie voor uw apparaat is.

### Mijn diepvries maakt lawaai

- o Het koelgas dat in de leidingen van het apparaat circuleert, kan een beetje lawaai maken, zelfs als de compressor niet aan het werk is.
- o Als het lawaai verergert of als het apparaat luider werkt dan normaal wordt, moet u controleren of het apparaat correct waterpas staat, of er niets de rugzijde van de koelkast raakt en of er niets in het apparaat is geplaatst dat rammelt.

### Op de binnenwand achteraan in mijn diepvries wordt er snel ijs gevormd.

- o Controleer of de voedingswaren niet te ver naar achteren in het apparaat zijn geduwd, waardoor het in contact staat met de binnenwand achteraan.

## PROBEER NIET OM UW APPARAAT ZELF TE REPAREREN

Merk op dat als een ingenieur wordt gevraagd om interventies uit te voeren terwijl het product in garantie is en die vaststelt dat het probleem niet het resultaat is van een fout van het apparaat, u in dat geval volledig aansprakelijk bent voor de kosten voor deze oproep voor interventie.

Het apparaat moet voor de ingenieur toegankelijk zijn om de nodige reparaties uit te voeren. Als uw apparaat dusdanig is geïnstalleerd dat een ingenieur zich zorgen maakt dat er schade aan het apparaat of aan uw keuken zal worden veroorzaakt, deze persoon de reparatie niet zal voltooien.

**Dit omvat situaties waarin het apparaat is ingebouwd in een betegelde wand, met afdichtmiddel is afdicht, en er houten obstructies voor het apparaat zijn aangebracht, zoals plinten.**

Raadpleeg de garantievoorzwaarden op de garantietaart die bij uw apparaat zit.

#### **BESCHIKBAARHEID VAN RESERVEONDERDELEN**

Thermostaten, temperatuursensoren, printplaten en lichtbronnen, voor een minimumperiode van zeven jaar nadat het laatste exemplaar van het model op de markt is gebracht;  
deurklinken, deurscharnieren, bladen en manden voor een minimumperiode van zeven jaar en deurafdichtingen voor een minimumperiode van tien jaar, nadat het laatste exemplaar van het model op de markt is gebracht;

#### **TECHNISCHE ASSISTENTIE**

Ga naar onze website om contact op te nemen met de technische ondersteuning: <https://corporate.haier-europe.com/en/>. Kies onder de sectie "website" het merk van uw product en uw land. U wordt doorgestuurd naar de specifieke website waar u het telefoonnummer en formulier kunt vinden om contact op te nemen met de technische assistentie

Voor meer informatie over het product, raadpleeg <https://eprel.ec.europa.eu/> of scan de QR-code op het energielabel dat bij het apparaat is geleverd



## Ελληνικά

Σας ευχαριστούμε για την αγορά αυτού του προϊόντος.

Πριν χρησιμοποιήσετε το ψυγείο σας, σας παρακαλούμε να διαβάσετε προσεκτικά αυτό το εγχειρίδιο οδηγιών χρήσης έτσι ώστε να μεγιστοποιήσετε την απόδοση του. Φυλάξτε όλα τα έγγραφα για μελλοντική χρήση ή για άλλους ιδιοκτήτες. Αυτό το προϊόν προορίζεται αποκλειστικά για οικιακή χρήση ή παρόμοιες εφαρμογές όπως:

- την περιοχή της κουζίνας για προσωπικό καταστημάτων, γραφείων και άλλα περιβάλλοντα εργασίας
- σε φάρμες, από πελάτες σε ξενοδοχεία, πανδοχεία και άλλα περιβάλλοντα οικιακού τύπου
- σε bed και breakfasts (B & B)
- για υπηρεσίες επισιτισμού και παρόμοιες εφαρμογές που δεν προορίζονται για λιανική πώληση.

Αυτή η συσκευή πρέπει να χρησιμοποιείται μόνο για σκοπούς αποθήκευσης τροφίμων, οποιαδήποτε άλλη χρήση θεωρείται επικίνδυνη και ο κατασκευαστής δεν θα είναι υπεύθυνος για οιοσδήποτε παραλείψεις. Επίσης, συνιστάται να διαβάσετε προσεκτικά τους όρους της εγγύησης.

## ΠΛΗΡΟΦΟΡΙΕΣ ΓΙΑ ΤΗΝ ΑΣΦΑΛΕΙΑ

Διαβάστε προσεκτικά τις οδηγίες λειτουργίας και εγκατάστασης! Περιέχουν σημαντικές πληροφορίες σχετικά με τον τρόπο εγκατάστασης, χρήσης και συντήρησης της συσκευής. Ο κατασκευαστής δεν ευθύνεται εάν δεν συμμορφωθείτε με τις οδηγίες και τις προειδοποιήσεις. Διατηρήστε όλα τα έγγραφα για μελλοντική χρήση ή για τον επόμενο κάτοχο.

- **Μην συνδέετε τη συσκευή στην παροχή ηλεκτρικού ρεύματος έως ότου αφαιρεθούν όλα τα προστατευτικά συσκευασίας και μεταφοράς. Κρατήστε τα παιδιά μακριά και από τη συσκευασία και από τα εξαρτήματά της. Κίνδυνος ασφυξίας από πτυσσόμενα χαρτοκιβώτια και πλαστικές μεμβράνες!"**
- **Αφήστε την να παραμείνει σε όρθια θέση για τουλάχιστον 4 ώρες πριν την ενεργοποίηση για να επιτρέψετε στο λάδι του συμπιεστή να "καθίσει" εάν έχει μεταφερθεί σε οριζόντια θέση**
- **Κατά την παράδοση, ελέγξτε για να βεβαιωθείτε ότι το προϊόν δεν έχει υποστεί ζημιά και ότι όλα τα μέρη και τα εξαρτήματα είναι σε άριστη κατάσταση**

- **Μην προκαλείτε ζημιά στο κύκλωμα του ψυκτικού αέριου**
- **Διατηρήστε ελεύθερα και χωρίς εμπόδια τα ανοίγματα εξαερισμού που υπάρχουν στον χώρο της συσκευής ή στην κατασκευή εντοιχισμού**
- **Ποτέ μην χρησιμοποιείτε νερό για να πλύνετε τη θέση του συμπιεστή, σκουπίστε καλά με ένα στεγνό πανί μετά τον καθαρισμό για να αποφύγετε τη σκουριά**
- **Χειριστείτε τη συσκευή πάντοτε με δύο άτομα τουλάχιστον, διότι είναι βαριά.**
- **Εγκαταστήστε και τοποθετήστε τη συσκευή σε μια περιοχή κατάλληλη για το μέγεθος και τη χρήση της.**
- **Βεβαιωθείτε ότι οι ηλεκτρολογικές πληροφορίες στην πινακίδα τύπου συμφωνούν με την αντίστοιχη παροχή ρεύματος. Εάν όχι, επικοινωνήστε με έναν ηλεκτρολόγο.**
- **Η συσκευή λειτουργεί με τροφοδοσία 220-240 VAC / 50 Hz. Η μη φυσιολογική διακύμανση της τάσης μπορεί να προκαλέσει την αποτυχία εκκίνησης της συσκευής ή ζημιά στον έλεγχο θερμοκρασίας ή τον συμπιεστή ή μπορεί να υπάρχει ανώμαλος θόρυβος κατά τη λειτουργία. Στην περίπτωση αυτή, πρέπει να τοποθετηθεί ένας αυτόματος ρυθμιστής.**
- **Μόνο για το Ηνωμένο Βασίλειο Το καλώδιο τροφοδοσίας της συσκευής είναι εξοπλισμένο με βύσμα 3-καλωδίων (γείωση) που ταιριάζει σε μια τυπική πρίζα 3-καλωδίων (πρίζα με γείωση). Ποτέ μην κόβετε ή αποσυναρμολογείτε τον τρίτο πείρο (γείωση). Μετά την εγκατάσταση της συσκευής, το βύσμα πρέπει να είναι προσβάσιμο.**

- Βεβαιωθείτε ότι το καλώδιο τροφοδοσίας δεν έχει μαγκώσει κάτω από τη συσκευή κατά τη διάρκεια και μετά τη μεταφορά/μετακίνηση της συσκευής, για να αποφευχθεί το κόψιμο ή η ζημιά του καλωδίου τροφοδοσίας. Εάν έχει προκληθεί ζημιά στο καλώδιο τροφοδοσίας, πρέπει να αντικατασταθεί από τον κατασκευαστή, τον εξουσιοδοτημένο τεχνικό του ή άτομο με παρόμοια τεχνική κατάρτιση έτσι ώστε να αποφευχθεί οποιοσδήποτε κίνδυνος
- Μην τοποθετείτε την συσκευή σε υγρά, λιπαρά ή σκονισμένα μέρη, ούτε να την εκθέτετε σε απευθείας ηλιακή ακτινοβολία και σε νερό
- Μην τοποθετείτε την συσκευή κοντά σε καλοριφέρ ή εύφλεκτα υλικά
- ΓΙΑ συσκευές με χώρο κατάψυξης: Σε περίπτωση διακοπής ρεύματος, μην ανοίξετε το κάλυμμα. Τα κατεψυγμένα τρόφιμα δεν θα πρέπει να επηρεαστούν εάν η διακοπή διαρκέσει λιγότερο από τις ώρες που αναγράφονται στην ετικέτα βαθμολογίας (χρόνος αύξησης θερμοκρασίας) Εάν η διακοπή έχει μεγαλύτερη διάρκεια, τα τρόφιμα πρέπει να ελεγχθούν και να καταναλωθούν άμεσα ή να μαγειρευτούν και να καταψυχθούν εκ νέου.
- Εάν διαπιστώσετε ότι το καπάκι της συσκευής είναι δύσκολο να ανοίξει αμέσως μόλις το κλείσετε, μην ανησυχείτε. Αυτό οφείλεται στη διαφορά πίεσης που θα εξισωθεί σχεδόν αμέσως και θα επιτρέψει στο καπάκι να ανοίξει κανονικά μετά από λίγα λεπτά.
- Μην αποθηκεύετε φάρμακα, βακτήρια ή χημικούς παράγοντες στη συσκευή. Αυτή η συσκευή είναι οικιακή συσκευή, δεν συνιστάται η αποθήκευση υλικών που απαιτούν αυστηρές θερμοκρασίες.
- Μην τραβάτε με δύναμη ή τσακίζετε το καλώδιο τροφοδοσίας ή ακουμπάτε την πρίζα με βρεγμένα χέρια
- Μην αποθηκεύετε προϊόντα που περιέχουν εύφλεκτα προωθητικά (π.χ. δοχεία ψεκασμού) ή εκρηκτικές ύλες στη συσκευή. Κίνδυνος έκρηξης!
- Μην τοποθετείτε ασταθή άρθρα (βαριά αντικείμενα, δοχεία γεμάτα με νερό) στο πάνω μέρος του ψυγείου, για να αποφύγετε τραυματισμούς που προκαλούνται από πτώση ή ηλεκτρικό σοκ που προκαλείται από την επαφή με το νερό.
- Μην χρησιμοποιείτε ηλεκτρικές συσκευές μέσα στους χώρους αποθήκευσης των τροφίμων της συσκευής, εκτός εάν είναι του συνιστώμενου τύπου από τον κατασκευαστή
- Μην αγγίζετε εσωτερικά στοιχεία ψύξης, ειδικά με βρεγμένα χέρια, για να αποφύγετε ρωγμές ή τραυματισμούς
- Σε κίνδυνο εδώ είναι τα παιδιά, οι άνθρωποι που έχουν περιορισμένες φυσικές, διανοητικές ή αισθητηριακές ικανότητες, καθώς και τα άτομα που δεν διαθέτουν επαρκείς γνώσεις σχετικά με την ασφαλή λειτουργία της συσκευής. Βεβαιωθείτε ότι τα παιδιά και τα

ευάλωτα άτομα έχουν κατανοήσει όλους τους κινδύνους. Ένα πρόσωπο που είναι υπεύθυνο για την ασφάλεια πρέπει να επιβλέπει ή να καθοδηγεί τα παιδιά και τα ευάλωτα άτομα που χρησιμοποιούν τη συσκευή. Μόνο τα παιδιά ηλικίας 8 ετών και μεγαλύτερα μπορούν να χρησιμοποιούν τη συσκευή.

- Τα παιδιά δεν θα πρέπει να παίζουν με την συσκευή
- Παιδιά ηλικίας από 3 έως 8 ετών επιτρέπεται να βάζουν και να αφαιρούν αυτή τη συσκευή
- ΓΙΑ συσκευές με χώρο κατάψυξης: μην αποθηκεύετε εμφιαλωμένα ή κονσερβοποιημένα υγρά (ειδικά ανθρακούχα ποτά) στο χώρο κατάψυξης. Τα μπουκάλια και οι φιάλες μπορεί να σπάσουν!
- ΓΙΑ συσκευές με χώρο κατάψυξης: Ποτέ μην τρώτε (μην βάζετε καν στο στόμα σας) κατεψυγμένα τρόφιμα απευθείας από το χώρο της κατάψυξης. Κίνδυνος εγκαυμάτων λόγω της πολύ χαμηλής θερμοκρασίας!
- Διατηρείτε τα πλαστικά εξαρτήματα και το στεγανοποιητικό της πόρτας απαλλαγμένο από λάδι και γράσο. Διαφορετικά, τα πλαστικά μέρη και το στεγανοποιητικό της πόρτας θα γίνουν πορώδη.
- Πριν κάνετε οποιαδήποτε εργασία, αποσυνδέστε το καλώδιο τροφοδοσίας από την πρίζα
- Μην χρησιμοποιείτε μηχανικές συσκευές ή άλλο εξοπλισμό για

να επιταχύνετε την διαδικασία απόψυξης, διαφορετικά από εκείνα που συνιστώνται από τον κατασκευαστή

- Μην χρησιμοποιείτε αντικείμενα με αιχμηρά ή κοφτερά άκρα όπως μαχαίρια ή πιρούνια για να αφαιρέσετε τον πάγο. Ποτέ μην χρησιμοποιείτε πιστόλια στεγνώματος μαλλιών, ηλεκτρικές συσκευές θέρμανσης ή άλλες παρόμοιες ηλεκτρικές συσκευές για απόψυξη
- Συνιστάται να διατηρείτε καθαρή την πρίζα, οποιαδήποτε υπολείμματα υπερβολικής σκόνης επάνω στην πρίζα μπορεί να προκαλέσουν φωτιά
- Μην προσπαθήσετε να επισκευάσετε, να αποσυναρμολογήσετε ή να τροποποιήσετε τη συσκευή μόνοι σας. Σε περίπτωση επισκευής επικοινωνήστε πάντα με την εξυπηρέτηση πελατών μας.
- Να επιτηρείτε τα παιδιά όταν ο καθαρισμός ή η συντήρηση της συσκευής είναι σε εξέλιξη.
- Μην καθαρίζετε τα κρύα ράφια με ζεστό νερό. Η απότομη αλλαγή θερμοκρασίας μπορεί να προκαλέσει το σπάσιμο του γυαλιού.
- ΠΡΟΕΙΔΟΠΟΙΗΣΗ: Οι σωλήνες του κυκλώματος ψύξης μεταφέρουν μια μικρή ποσότητα φιλικού προς το περιβάλλον αλλά εύφλεκτου ψυκτικού (R600a) και μονωτικού αερίου (κυκλοπεντάνιο). Δεν καταστρέφει τη στιβάδα του όζοντος και δεν αυξάνει το φαινόμενο του θερμοκηπίου. Εάν διαφύγει ψυκτικό, μπορεί να τραυματιστούν τα μάτια σας ή να γίνει ανάφλεξη.

- Εάν το κύκλωμα ψυκτικού πρέπει να υποστεί ζημιά:
  - Απενεργοποιήστε τη συσκευή και βγάλτε το φισ,
  - Κρατήστε τις γυμνές φλόγες ή/και τις πηγές ανάφλεξης μακριά από τη συσκευή,
  - Αερίστε καλά το δωμάτιο για αρκετά λεπτά,
  - Ενημερώστε την εξυπηρέτηση πελατών.
- ΠΡΟΕΙΔΟΠΟΙΗΣΗ: Μην καταστρέψετε το φισ ή/και το καλώδιο τροφοδοσίας. Αυτό μπορεί να προκαλέσει ηλεκτροπληξία ή πυρκαγιές.
- ΠΡΟΕΙΔΟΠΟΙΗΣΗ: Μην χρησιμοποιείτε φορητές πρίζες πολλαπλών θέσεων (πολύπριζα) ή φορητά τροφοδοτικά. Δεν συνιστούμε τη χρήση καλωδίων επέκτασης και προσαρμογέων πολλαπλών κατευθύνσεων.
- Μην επιχειρήσετε ποτέ να καθίσετε ή να σταθείτε στο επάνω μέρος της συσκευής. Μπορεί να τραυματιστείτε ή να καταστρέψετε τη συσκευή. Αυτή η συσκευή δεν είναι σχεδιασμένη για στοίβαξη με οποιαδήποτε άλλη (συσκευή).
- Το προϊόν έχει σχεδιαστεί και κατασκευαστεί μόνο για οικιακή χρήση
- Μπορούν να χρησιμοποιηθούν μόνο γνήσια ανταλλακτικά που παρέχονται από τον κατασκευαστή. Ο κατασκευαστής εγγυάται ότι μόνο αυτά τα ανταλλακτικά πληρούν τις απαιτήσεις ασφαλείας.
- Το άνοιγμα της πόρτας για μεγάλες χρονικές περιόδους μπορεί να προκαλέσει σημαντική αύξηση της θερμοκρασίας στους θαλάμους της συσκευής
- Καθαρίστε τακτικά τις επιφάνειες που μπορούν να έρθουν σε επαφή με τα τρόφιμα και τα προσβάσιμα συστήματα αποστράγγισης
- Καθαρίστε τα δοχεία νερού εάν δεν έχουν χρησιμοποιηθεί για 48 ώρες. Ξεπλύνετε το σύστημα του νερού που είναι συνδεδεμένο με παροχή νερού εάν δεν έχει τραβηχτεί νερό για 5 ημέρες
- Αποθηκεύστε το ωμό κρέας και τα ψάρια σε κατάλληλα δοχεία στο ψυγείο, έτσι ώστε να μην έρχονται σε επαφή ή να μην στάζουν επάνω σε άλλα τρόφιμα
- Οι χώροι αποθήκευσης κατεψυγμένων τροφίμων δύο αστέρων (εάν υπάρχουν στη συσκευή) είναι κατάλληλοι για αποθήκευση ήδη κατεψυγμένων τροφίμων, την αποθήκευση ή την παρασκευή παγωτού και την κατασκευή παγοκύβων
- Οι χώροι αποθήκευσης ενός-, δύο- και τριών αστέρων (εάν υπάρχουν στη συσκευή) δεν είναι κατάλληλα για την κατάψυξη των νωπών τροφίμων
- Εάν η συσκευή παραμείνει ανοικτή για μεγάλο χρονικό διάστημα, σβήστε την, ξεπαγώστε την, καθαρίστε την, στεγνώστε την και αφήστε την πόρτα ανοικτή για να αποφύγετε την ανάπτυξη μούχλας μέσα στη συσκευή
- για συσκευές συντήρησης κρασιών: Η παρούσα συσκευή προορίζεται αποκλειστικά για τη συντήρηση κρασιών
- για ελεύθερη συσκευή: η παρούσα ψυκτική συσκευή δεν προορίζεται

## να χρησιμοποιηθεί ως εντοιχιζόμενη συσκευή

- για συσκευές χωρίς θάλαμο 4 αστέρων: η παρούσα ψυκτική συσκευή δεν είναι κατάλληλη για την κατάψυξη τροφίμων

### Απορριψη παλαιων συσκευων



Αυτή η συσκευή έχει σήμανση σύμφωνα με την Ευρωπαϊκή οδηγία 2012/19/EU σχετικά με τα απόβλητα ειδών ηλεκτρικού και ηλεκτρονικού εξοπλισμού (WEEE).

Τα WEEE περιέχουν τόσο ρυπογόνες ουσίες (οι οποίες μπορούν να έχουν αρνητικές επιπτώσεις στο περιβάλλον) και βασικά εξαρτήματα (τα οποία μπορούν να χρησιμοποιηθούν και πάλι). Είναι σημαντικό να υποβάλλονται τα WEEE σε συγκεκριμένες επεξεργασίες, έτσι ώστε να αφαιρούνται και να απορρίπτονται σωστά όλα τα ρυπογόνα στοιχεία, και να ανακτώνται και να ανακυκλώνονται όλα τα υλικά.

Οι ιδιώτες μπορούν να διαδραματίσουν σημαντικό ρόλο στην εξασφάλιση ότι τα WEEE δεν θα γίνουν ένα περιβαλλοντολογικό ζήτημα· είναι πολύ σημαντικό να ακολουθείτε ορισμένους βασικούς κανόνες:

- Τα WEEE δεν θα πρέπει να αντιμετωπίζονται σαν οικιακά απορρίμματα,
- Τα WEEE θα πρέπει να παραδίδονται στα αρμόδια σημεία συλλογής που διαχειρίζονται από τις δημοτικές αρχές ή από εξουσιοδοτημένες εταιρείες. Σε πολλές χώρες, για μεγάλα WEEE, μπορεί να υπάρχει συλλογή από το σπίτι.

Σε πολλές χώρες, όταν αγοράζετε μία καινούργια συσκευή, η παλιά μπορεί να επιστραφεί στον πωλητή ο οποίος ο οποίος πρέπει να την παραλάβει χωρίς χρέωση σε μία αναλογία μία προς μία, εφόσον ο εξοπλισμός αυτός είναι ισοδύναμου τύπου και έχει τις ίδιες λειτουργίες με τον παρεχόμενο εξοπλισμό.

### Συμβατότητα

Τοποθετώντας το αναγνωριστικό **CE** επάνω σε αυτό το προϊόν, επιβεβαιώνουμε την συμβατότητα με όλες τις σχετικές Ευρωπαϊκές προϋποθέσεις ασφάλειας, υγείας και προστασίας του περιβάλλοντος που εφαρμόζονται για αυτό το προϊόν σύμφωνα με την ισχύουσα νομοθεσία.

### Εγγύηση

Η ελάχιστη εγγύηση είναι: 2 έτη για τις χώρες της εε, 3 έτη για την τουρκία, 1 έτος για το ηνωμένο βασίλειο, 1 έτος για τη ρωσία, 3 έτη για τη σουηδία, 2 έτη για τη σεργία, 5 έτη για τη νορβηγία, 1 έτος για το μαρόκο, 6 μήνες για την αλγερία, στην τунησία δεν απαιτείται νομική εγγύηση.

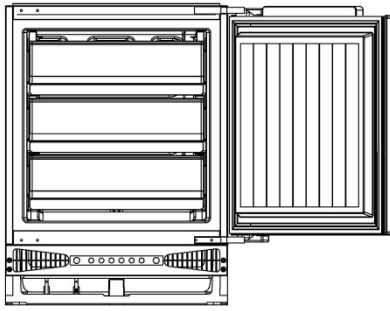
### Εξοικονόμηση ενέργειας

Για καλύτερη εξοικονόμηση ενέργειας σας συνιστούμε να:

- Τοποθετήσετε την συσκευή μακριά από πηγές θερμότητας και μην την εκθέτετε σε απευθείας ηλιακή ακτινοβολία και μέσα σε ένα καλά αεριζόμενο δωμάτιο.
- Αποφύγετε να βάζετε ζεστές τροφές μέσα στο ψυγείο έτσι ώστε να αποφύγετε την αύξηση της εσωτερικής θερμοκρασίας και επομένως την πρόκληση της συνεχούς λειτουργίας του συμπιεστή.
- Μην στριμώνετε υπερβολικά τις τροφές έτσι ώστε να είναι εξασφαλισμένη η σωστή ανακύκλωση του αέρος.

- Κάντε απόψυξη της συσκευής σε περίπτωση που υπάρχει πάγος έτσι ώστε να διευκολύνετε της μεταφορά της ψύξης.
- Σε περίπτωση διακοπής του ηλεκτρικού ρεύματος, καλό είναι να διατηρείτε κλειστή την πόρτα του ψυγείου.
- Ανοίξτε ή κρατήστε ανοιχτές τις πόρτες της συσκευής για όσο το δυνατόν μικρότερο χρονικό διάστημα
- Αποφύγετε την ρύθμιση σε πολύ ψυχρές θερμοκρασίες.
- Αφαιρέστε την σκόνη που υπάρχει επάνω ή κοντά στην συσκευή

## ΠΕΡΙΓΡΑΦΗ ΤΗΣ ΣΥΣΚΕΥΗΣ



### ΣΗΜΕΙΩΣΗ:

Η εικόνα είναι μόνο για αναφορά και μπορεί να διαφέρει από το προϊόν σας.

Η πιο σωστή τακτική για εξοικονόμηση ενέργειας απαιτεί την τοποθέτηση συρταριών, δοχείων για τα τρόφιμα και ραφιών στο προϊόν, παρακαλούμε ανατρέξτε στις παραπάνω εικόνες.

### ΧΡΗΣΙΜΟΠΟΙΩΝΤΑΣ ΤΟ ΚΕΛΑΡΙ ΤΟΥ ΨΥΓΕΙΟΥ ΣΑΣ

#### Πριν ενεργοποιήσετε

- ο Βεβαιωθείτε ότι έχει εγκατασταθεί από ένα άτομο με τα κατάλληλα προσόντα, σύμφωνα με τις πληροφορίες που περιέχονται στις οδηγίες εγκατάστασης του προϊόντος.
- ο Μετά την παράδοση, περιμένετε οκτώ ώρες πριν συνδέσετε τη συσκευή στο ηλεκτρικό δίκτυο. Αυτό θα επιτρέψει σε κάθε ψυκτικό αέριο που μπορεί να έχει διαταραχθεί κατά τη διάρκεια της διαδικασίας μεταφοράς για να εγκατασταθεί.
- ο Το εξωτερικό μέρος της συσκευής και τα αφαιρούμενα παρελκόμενα που περιέχονται μέσα σε αυτήν θα πρέπει να καθαρίζονται με διάλυμα υγρού απορρυπαντικού και νερού.
- ο Το εσωτερικό της συσκευής θα πρέπει να καθαρίζεται με διάλυμα διττανθρακικού νατρίου διαλυμένο σε χλιαρό νερό. Το εσωτερικό και τα αξεσουάρ θα πρέπει να στεγνώσουν εντελώς, αφού ολοκληρωθεί η διαδικασία καθαρισμού.
- ο Μπορεί να υπάρξει οσμή όταν ενεργοποιήσετε για πρώτη φορά τη συσκευή. Θα μειωθεί καθώς η συσκευή αρχίζει να κρυώνει.

#### Κατά την πρώτη χρήση

- ο Πρέπει να ρυθμίσετε τον επιλογέα του θερμοστάτη στη μέγιστη ρύθμιση για 24 ώρες μετά την ενεργοποίηση της συσκευής για πρώτη φορά.
- ο Κατά την πρώτη ενεργοποίηση της συσκευής, ο συμπιεστής θα λειτουργεί συνεχώς για περίπου 24 ώρες ή έως ότου ο καταψύκτης ψυγείου φθάσει σε μια αρκετά καλή θερμοκρασία.
- ο Κατά τη διάρκεια αυτής της περιόδου, θα πρέπει να προσπαθήσετε να μην ανοίξετε συχνά την πόρτα ή να τοποθετήσετε μεγάλη ποσότητα φαγητού μέσα στη συσκευή.
- ο Θα πρέπει στη συνέχεια να ρυθμίσετε τον επιλογέα θερμοστάτη προς τα κάτω στην κανονική του θέση λειτουργίας.
- ο Εάν η μονάδα είναι απενεργοποιημένη ή αποσυνδεδεμένη, πρέπει να επιτρέψετε τουλάχιστον 5 λεπτά πριν την επανεκκίνηση της συσκευής στον θερμοστάτη ή τη σύνδεση με το ηλεκτρικό δίκτυο.

## ΛΕΙΤΟΥΡΓΙΑ

### Εκκίνηση του ψυγείου.

Υπάρχουν συνολικά 6 ρυθμίσεις θερμοκρασίας για το ψυγείο. Μετά τη σύνδεση με την παροχή ρεύματος, το ψυγείο θα ρυθμιστεί στη ρύθμιση 3, η οποία είναι η προεπιλεγμένη ρύθμιση.

Κουμπί "☺": Βρίσκεται στη δεξιά πλευρά, και λειτουργεί ως ενεργοποίηση / απενεργοποίηση του ψυγείου πατώντας για 3 δευτερόλεπτα.

Κουμπί "⊖": Βρίσκεται στη αριστερή πλευρά, και λειτουργεί ως προσαρμογή των ρυθμίσεων θερμοκρασίας για το ψυγείο



### Προσαρμογή της θερμοκρασίας:

Η θερμοκρασία στο ψυγείο ρυθμίζεται πατώντας το αριστερό "⊖" κουμπί. Πατώντας το κουμπί, οι ρυθμίσεις 1 έως 5 αντιπροσωπεύουν διαφορετικές θερμοκρασίες από την υψηλότερη έως τη χαμηλότερη αντιστοίχως.

"☺" υποδεικνύει τη λειτουργία υπερψύξης. Πατήστε και κρατήστε το "⊖" κουμπί συνεχώς πατημένο, ώστε να επιλέξετε τη λειτουργία υπερψύξης. Όταν αυτή ενεργοποιηθεί, θα ανάψει το σύμβολο SF. Η περίοδος SF θα διαρκέσει 24 ώρες, εν συνεχεία θα απενεργοποιηθεί αυτόματα και θα γίνει επαναφορά του θερμοστάτη στην προηγούμενη ρύθμιση.

Θέση	Συνθήκες
1-2	Καλοκαίρι ή θερμοκρασία περιβάλλοντος μεταξύ 25-35 ° C
3-4	Άνοιξη, φθινόπωρο ή θερμοκρασία περιβάλλοντος μεταξύ 15-25 ° C
5	Χειμώνα ή θερμοκρασία περιβάλλοντος μεταξύ 5-15 ° C
Λειτουργία υπερψύξης	Γρήγορη ψύξη

**Προσοχή:** Κάποιος χρόνος θα χρειαστεί για να φτάσει το ψυγείο στο καθορισμένο επίπεδο όταν γίνουν ρυθμίσεις θερμοκρασίας. Το μήκος αυτής της περιόδου καθορίζεται από τη διαφορά στις υπάρχουσες και τις καθορισμένες θερμοκρασίες, τη θερμοκρασία περιβάλλοντος, τη συχνότητα με την οποία ανοίγεται και κλείνει η πόρτα και την ποσότητα των τροφίμων που αποθηκεύονται.

### Ο χώρος κατάψυξης

- ο Η θερμοκρασία του χώρου κατάψυξης πρέπει να έχει ήδη φτάσει -18 βαθμούς Κελσίου (ή χαμηλότερη) προτού επιχειρήσετε να αποθηκεύσετε τρόφιμα που έχουν ήδη καταψυχθεί ή κατάψυξη φρέσκων τροφίμων.
- ο Ο χώρος κατάψυξης είναι σε θέση μόνο να παγώσει μια συγκεκριμένη ποσότητα τροφής ταυτόχρονα. Δεν πρέπει να επιχειρήσετε να παγώσετε περισσότερα από 4,5 κιλά νωπού φαγητού μέσα σε 24 ώρες.
- ο Το ζεστό φαγητό πρέπει να αφήνεται να κρυώσει πριν επιχειρήσετε να το παγώσετε. Εάν τοποθετήσετε ζεστό φαγητό στην κατάψυξη, τότε η αυξημένη υγρασία θα προκαλέσει ταχύτερο σχηματισμό πάγου και θα αυξήσει την ποσότητα ενέργειας που χρησιμοποιεί η συσκευή.
- ο Πρέπει να ακολουθείται η καθοδήγηση του παρασκευαστή τροφίμων, όσον αφορά τον μέγιστο χρόνο αποθήκευσης.
- ο Οι αποψυγμένες τροφές δεν πρέπει να καταψυχθούν για δεύτερη φορά.
- ο Μην ανοίγετε πολύ συχνά την πόρτα του καταψύκτη ή αφήνετε την πόρτα ανοικτή για μεγάλες χρονικές περιόδους, καθώς αυτό θα αυξήσει τη θερμοκρασία μέσα στη συσκευή και θα αυξήσει τη χρήση ενέργειας.

Τοποθετήστε διαφορετικά τρόφιμα σε διαφορετικά διαμερίσματα σύμφωνα με τον πίνακα που ακολουθεί

Χώροι θαλάμου ψυγείου	Είδος προϊόντος
Συρτάρι (-α)/δίσκος καταψύκτη	<ul style="list-style-type: none"><li>• Τρόφιμα για μακροχρόνια αποθήκευση.</li><li>• Κάτω συρτάρι για ωμό κρέας, πουλερικά, ψάρια.</li><li>• Μεσαίο συρτάρι για κατεψυγμένα λαχανικά, πατάτες.</li><li>• Επάνω δίσκος για παγωτό, παγωμένα φρούτα, κατεψυγμένα μαγειρεμένα προϊόντα.</li></ul>

## Συμβουλές για την κατάψυξη

- Οι σακούλες κατάψυξης, τα πολυαιθυλένια, τα φύλλα αλουμινίου (επιπλέον πάχος) και τα ειδικά δοχεία για κατεψυγμένα τρόφιμα είναι κατάλληλες συσκευασίες για την αποθήκευση κατεψυγμένων προϊόντων.
- Οι ταινίες, οι ταινίες από καουτσούκ ή οι πλαστικές ταινίες είναι κατάλληλες για τη σφράγιση σάκων και περιτυλίξεων.
- Πριν από τη σφράγιση ενός κατάλληλου σάκου, θα πρέπει να συμπιέσετε τον αέρα από αυτό, καθώς αυτό θα βοηθήσει το φαγητό να παγώσει πιο εύκολα.
- Τα πλαστικά πακέτα παγώνουν πιο εύκολα.
- Εάν παγώσετε υγρό, μην γεμίσετε το δοχείο με το χείλος. Τα υγρά θα επεκταθούν όταν παγώσουν.
- Για κατεψυγμένα τρόφιμα, ανατρέξτε στον χρόνο αποθήκευσης που αναγράφεται επάνω στην συσκευασία των τροφίμων. Αυτός ο χρόνος αποθήκευσης επιτυγχάνεται κάθε φορά που η ρύθμιση είναι σύμφωνη με τις θερμοκρασίες αναφοράς του θαλάμου (ένα αστέρι -6°C, δύο αστέρια -12°C, τρία αστέρια -18°C).

**Μην τοποθετείτε φιάλες (γυαλί ή κασσίτερο) που περιέχουν υγρά (ειδικά αφρώδη υγρά) στον καταψύκτη καθώς θα μπορούσαν να προκαλέσουν έκρηξη της φιάλης κατά τη διάρκεια της κατάψυξης.**

## Πως κάνουμε παγάκια

- Γεμίστε το δίσκο πάγου με νερό και τοποθετήστε το στο χώρο κατάψυξης.
- Αφού το νερό καταψυχθεί τελείως και γυρίσει σε πάγο, μπορείτε να περιστρέψετε το δίσκο παγοκύβων (όπως φαίνεται στο παρακάτω σχέδιο) για να διανείμετε τον πάγο.

## ΕΞΟΙΚΟΝΟΜΗΣΗ ΕΝΕΡΓΕΙΑΣ ΚΑΤΑ ΤΗ ΧΡΗΣΗ ΤΟΥ ΨΥΓΕΙΟΥ ΣΑΣ

### Εγκατάσταση:

- Τοποθετήστε τη συσκευή σε δροσερή θέση. Εάν τοποθετηθεί σε άμεσο ηλιακό φως ή δίπλα σε φούρνο ή άλλη πηγή θερμότητας, η κατανάλωση ενέργειας μπορεί να αυξηθεί σημαντικά.
- Βεβαιωθείτε ότι η συσκευή είναι εγκατεστημένη με τις σωστές απαιτήσεις εξαερισμού. Ο περιορισμός του αερισμού μπορεί να αυξήσει την κατανάλωση ενέργειας κατά 15%.

### Καθαρισμός και συντήρηση:

- Περιστασιακά καθαρίστε τα πηνία συμπυκνωτή (αν υπάρχουν) στο πίσω μέρος της συσκευής για να διατηρήσετε ένα υψηλό επίπεδο απόδοσης.
- Ξεπαγώστε τη συσκευή τακτικά. Η συσσώρευση πάχους πάγου μειώνει την απόδοση της συσκευής. Πρέπει να αποψύξετε όποτε ο παγετός φτάσει σε πάχος 5 mm.
- Καθαρίστε τη φλάντζα της πόρτας με ζεστό νερό ή ουδέτερο απορρυπαντικό που δεν αφήνει υπολείμματα. Μια στεγανή στεγανοποίηση της πόρτας είναι κρίσιμη για την αποτελεσματικότητα της συσκευής σας.

### Χρήση:

- Μην ανοίγετε την πόρτα επανειλημμένα ή πιο συχνά από ό, τι πρέπει. ì
- Μη ρυθμίζετε το θερμοστάτη πολύ χαμηλά. Μια αλλαγή μόνο ενός βαθμού μπορεί να επηρεάσει την κατανάλωση ενέργειας κατά 5%. Χρησιμοποιήστε ένα θερμομότρο για να ελέγξετε τη θερμοκρασία.
- Ο καταψύκτης πρέπει να λειτουργεί στους -15 έως -18 βαθμούς

### Κελσίου

- Αφήστε το φαγητό να κρυώσει αρκετά πριν το τοποθετήσετε στη συσκευή (αλλά μην αφήσετε το να καθίσει σε θερμοκρασία δωματίου για πολύ καιρό).
- Στην κατάψυξη, οι συσκευασίες τροφίμων πρέπει να διασκορπίζονται και να μην ομαδοποιούνται ή να στοιβάζονται μαζί μέχρι να καταψυχθούν τελείως.
- Εάν φύγετε για μεγάλο χρονικό διάστημα, απενεργοποιήστε τη συσκευή, αδειάστε και καθαρίστε την και αφήστε την πόρτα ανοιχτή.
- Εάν έχετε μια δεύτερη συσκευή που δεν χρησιμοποιείται, βεβαιωθείτε ότι αποθηκεύεται με το ρεύμα απενεργοποιημένο και ότι η πόρτα παραμένει ανοιχτή μέχρι να είναι πραγματικά απαραίτητη.

### Διάθεση:

- Εάν πρόκειται να πετάξετε το παλιό ψυγείο σας, δείτε αν υπάρχει ένας ανακυκλωτής χλωροφθορανθράκων (CFC) στην περιοχή σας. Η κυβερνητική υπηρεσία που φροντίζει το περιβάλλον στην περιοχή σας μπορεί να είναι σε θέση να σας βοηθήσει.

## ΚΑΘΑΡΙΣΜΟΣ ΚΑΙ ΣΥΝΤΗΡΗΣΗ

ΠΡΟΕΙΔΟΠΟΙΗΣΗ: ΠΑΡΑΚΑΛΟΥΜΕ ΝΑ ΒΕΒΑΙΩΘΕΙΤΕ ΟΤΙ Η ΣΥΣΚΕΥΗ ΣΑΣ ΑΠΕΝΕΡΓΟΠΟΙΗΘΗΚΕ ΑΠΟ ΤΗΝ ΚΥΡΙΑ ΠΑΡΟΧΗ ΤΡΟΦΟΔΟΣΙΑΣ ΡΕΥΜΑΤΟΣ ΠΡΙΝ ΕΠΙΧΕΙΡΗΣΕΤΕ ΝΑ ΤΗΝ ΚΑΘΑΡΙΣΕΤΕ.

- Μην καθαρίζετε τη συσκευή βάζοντας νερό επάνω της ή ψεκάζοντας νερό πάνω από αυτήν.
- Ο καταψύκτης πρέπει να καθαρίζεται περιοδικά, χρησιμοποιώντας ένα διάλυμα διττανθρακικής σόδας και χλιαρό νερό.
- Καθαρίστε τα εξαρτήματα ξεχωριστά με σαπούνι και νερό. Μην τα καθαρίζετε σε πλυντήριο πιάτων.
- Μην χρησιμοποιείτε λειαντικά προϊόντα, απορρυπαντικά ή σαπούνια.
- Μετά το πλύσιμο της συσκευής, σκουπίστε πάνω από την περιοχή που έχετε καθαρίσει με ένα υγρό πανί και στη συνέχεια στεγνώστε καλά.
- Όταν ολοκληρωθεί ο καθαρισμός, στεγνώστε τα χέρια σας και, στη συνέχεια, επανασυνδέστε το φως στο ηλεκτρικό δίκτυο.

### Απόψυξη του καταψύκτη

Ο πάγος στην κατάψυξη πρέπει να αφαιρείται περιοδικά. Μπορείτε να χρησιμοποιήσετε γι' αυτό μια πλαστική σπάτουλα ώστε να μειώσετε την ποσότητα πάγου που σχηματίζεται.

**ΣΗΜΑΝΤΙΚΟ:** Ο καταψύκτης πρέπει να αποψύχεται τουλάχιστον δύο φορές το χρόνο. Ο αριθμός των φορών που πρέπει να ξεπαγώσετε, θα εξαρτηθεί από τη ρύθμιση του θερμοστάτη σας και πόση τροφή θα παγώσετε και θα αποθηκεύσετε στην κατάψυξη.

- Την ημέρα πριν από την απόψυξη, γυρίστε τον επιλογέα θερμοστάτη στη θέση <5>, ώστε να βεβαιωθείτε ότι τα τρόφιμα που περιέχονται στον καταψύκτη είναι καλά παγωμένα.
- Κατά την απόψυξη της συσκευής, τα τρόφιμα πρέπει να αφαιρεθούν από την κατάψυξη και να τυλιχτούν σε διάφορα επίπεδα χαρτιού και να αποθηκευτούν σε δροσερό μέρος. Η αύξηση της θερμοκρασίας των τροφίμων θα συντομεύσει τη διάρκεια αποθήκευσης και συνεπώς τα τρόφιμα θα πρέπει να χρησιμοποιούνται σε σχετικά σύντομο χρονικό διάστημα.

**ΜΗΝ ΤΟΠΟΘΕΤΕΙΤΕ ΤΡΟΦΙΜΑ ΣΤΗΝ ΚΑΤΑΨΥΞΗ ΟΤΑΝ ΕΧΕΙ ΞΕΚΙΝΗΣΕΙ Η ΔΙΑΔΙΚΑΣΙΑ ΑΠΟΨΥΞΗΣ ΑΥΤΗΣ.**

- Ρυθμίστε το διακόπτη θερμοστάτη στη θέση <0> και αποσυνδέστε τη συσκευή από το ρεύμα.

- Αφήστε την πόρτα στην κατάψυξη ανοιχτή. Μπορείτε να τοποθετήσετε ένα μπολ με ζεστό νερό μέσα στον καταψύκτη για να επιταχύνετε τη διαδικασία απόψυξης.
- Μπορείτε να χρησιμοποιήσετε ένα σφουγγάρι για να καθαρίσετε το νερό απόψυξης που θα τρέξει στο κάτω μέρος της κατάψυξης.

**ΣΗΜΑΝΤΙΚΟ:** Θα πρέπει να τοποθετήσετε μερικές παλιές πετσέτες στο δάπεδο που είναι ακριβώς μπροστά από τη συσκευή. Για την περίπτωση που οποιαδήποτε ποσότητα νερού απόψυξης βγει από την κατάψυξη και στάξει στο πάτωμα.

- Μόλις λειώσει ο πάγος που έχει δημιουργηθεί, τότε το εσωτερικό του καταψύκτη πρέπει να στεγνώσει καλά. Αν δεν γίνει αυτό, θα προκύψει άμεσος σχηματισμός πάγου όταν ξαναβρεθεί η συσκευή.
- Με στεγνά χέρια, επανασυνδέστε τη συσκευή σας στο ηλεκτρικό δίκτυο. Ρυθμίστε το κουμπί του θερμοστάτη στη θέση <5> για μια περίοδο 24 ωρών, πριν επιστρέψετε στην κανονική ρύθμιση <3>.
- Δεν πρέπει να επιχειρήσετε να παγώσετε φρέσκα τρόφιμα μέσα στον καταψύκτη μέχρι να παρέλθει αυτό το χρονικό διάστημα 24 ωρών.

**Μην αποψύχετε τη συσκευή με άλλες ηλεκτρικές συσκευές (π.χ. στεγνωτήρα μαλλιών). Μη χρησιμοποιείτε αιχμηρά μεταλλικά αντικείμενα για να αφαιρέσετε τον πάγο στην κατάψυξη, καθώς αυτό μπορεί να προκαλέσει βλάβη στο ψυκτικό σύστημα.**

## ΕΓΚΑΤΑΣΤΑΣΗ

**ΣΗΜΑΝΤΙΚΟ:** Πριν από την εγκατάσταση και τη χρήση, διαβάστε όλες τις οδηγίες και βεβαιωθείτε ότι η τάση (V) και η συχνότητα (Hz) που αναγράφονται στην πινακίδα χαρακτηριστικών είναι ακριβώς ίδια με την τάση και τη συχνότητα στο σπίτι σας. Μπορείτε να βρείτε την πινακίδα χαρακτηριστικών στην μπροστινή αριστερή άκρη του εσωτερικού του ψυγείου.

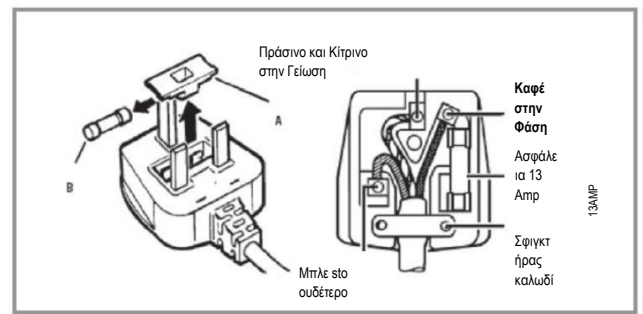
Ο κατασκευαστής αποκλείει κάθε ευθύνη σε περίπτωση που ο εγκαταστάτης δεν τηρήσει όλους τους ισχύοντες κανονισμούς πρόληψης ατυχημάτων, οι οποίοι είναι απαραίτητοι για την κανονική χρήση και την κανονική λειτουργία του ηλεκτρικού συστήματος.

### Ηλεκτρική σύνδεση

Ο ΚΑΤΑΨΥΚΤΗΣ ΣΑΣ ΠΡΟΟΡΙΖΕΤΑΙ ΓΙΑ ΣΤΑΘΕΡΗ ΚΑΙ ΜΟΝΙΜΗ ΕΓΚΑΤΑΣΤΑΣΗ.

Συνιστάται η σύνδεση της συσκευής από εξειδικευμένο ηλεκτρολόγο, ο οποίος θα είναι μέλος της Ν.Ι.Σ.Ε.Ι.Σ. (Εθνικής Ένωσης Ηλεκτρολόγων) και ο οποίος θα συμμορφώνεται με το Ι.Ε.Ε. (Διεθνείς Όροι και Κανονισμοί Ασφαλείας) και τους τοπικούς κανονισμούς.

- Ο καταψύκτης σας παρέχεται με βύσμα 13 amp. Εάν στο μέλλον πρέπει να αλλάξετε την ασφάλεια σε αυτή την πρίζα, τότε πρέπει να χρησιμοποιηθεί μία ασφάλεια 13 amp (BS 1362) εγκεκριμένη από ASTA.
- Η καλωδίωση στο δίκτυο ηλεκτρικών καλωδίων είναι χρωματισμένη ως εξής:  
**Καφέ** Φάση  
**Μπλε** Ουδέτερο  
**Πράσινο και κίτρινο** Γείωση
- Επειδή τα χρώματα των καλωδίων στο δίκτυο ηλεκτρικών καλωδίων της συσκευής ενδέχεται να μην αντιστοιχούν με τις έγχρωμες σημάνσεις που αναγνωρίζουν τους ακροδέκτες του



Το **καφέ καλώδιο** πρέπει να συνδεθεί με τον ακροδέκτη με το σήμα "L" (φάση) ή με το χρώμα **κόκκινο**.

Το **μπλε καλώδιο** πρέπει να συνδεθεί με τον ακροδέκτη με το σήμα "N" (ουδέτερο), ή με το χρώμα **μαύρο**.

Το **πράσινο και κίτρινο καλώδιο** πρέπει να συνδεθεί με τον ακροδέκτη με το σήμα "E" (γείωση), ή με το σύμβολο της γείωσης, ή με το χρώμα **πράσινο και κίτρινο**.

○ Όταν ολοκληρωθεί η σύνδεση, δεν πρέπει να υπάρχουν αδέσποτα στρίμματα ή σύρματα. Ο σφικτήρας καλωδίου πρέπει να ασφαλιζέται πάνω από το εξωτερικό περίβλημα.

### Τοποθέτηση

○ Συνιστάται η συσκευή σας να είναι εγκατεστημένη μόνο σε μια θέση όπου η θερμοκρασία περιβάλλοντος της αίθουσας αντιστοιχεί στην ταξινόμηση κλίματος που αναφέρεται στην πινακίδα χαρακτηριστικών της συσκευής σας. Η συσκευή σας ενδέχεται να μην λειτουργεί σωστά εάν η θερμοκρασία περιβάλλοντος δεν επαρκεί για τα παρακάτω εύρη τιμών.

- Εκτεταμένη εύκρατη (SN): «Η παρούσα ψυκτική συσκευή προορίζεται για χρήση σε θερμοκρασίες περιβάλλοντος από 10 °C έως 32 °C»
- Εύκρατη (N): «Η παρούσα ψυκτική συσκευή προορίζεται για χρήση σε θερμοκρασίες περιβάλλοντος από 16 °C έως 32 °C»
- Υποτροπική (ST): «Η παρούσα ψυκτική συσκευή προορίζεται για χρήση σε θερμοκρασίες περιβάλλοντος από 16 °C έως 38 °C»
- Τροπική (T): «Η παρούσα ψυκτική συσκευή προορίζεται για χρήση σε θερμοκρασίες περιβάλλοντος από 16 °C έως 43 °C»

○ Η συσκευή σας δεν πρέπει να βρίσκεται σε άμεση ηλιακή ακτινοβολία ή να εκτίθεται σε συνεχή θερμότητα ή ακραίες θερμοκρασίες (π.χ. δίπλα σε ένα θερμαντικό σώμα ή ένα λέβητα).

○ Η πόρτα θα πρέπει να μπορεί να ανοίγει εντελώς και ελεύθερα.  
○ Η συσκευή πρέπει να βρίσκεται έτσι ώστε να μπορείτε εύκολα να έχετε πρόσβαση στα τρόφιμα που είναι αποθηκευμένα σε αυτήν.

○ Πρέπει να ελέγξετε αν υπάρχει διαθέσιμη ηλεκτρική πρίζα, η οποία θα είναι προσβάσιμη μετά την εγκατάσταση της συσκευής σας.

### Αντιστρέψτε την πόρτα της συσκευής σας

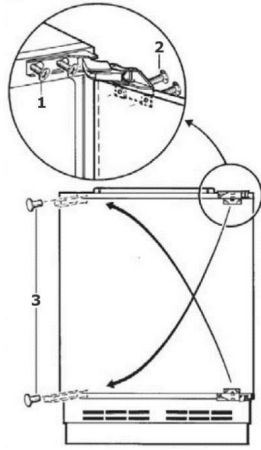
Αυτή η διαδικασία ΠΡΕΠΕΙ να ολοκληρωθεί πριν από την τοποθέτηση της πόρτας επί των τοίχων. Τα εξαρτήματα που αφαιρείτε από τη συσκευή ενώ αντιστρέψετε την πόρτα θα πρέπει να διατηρούνται για μελλοντική χρήση.

**ΠΡΟΕΙΔΟΠΟΙΗΣΗ** - Προσέξτε κατά το άνοιγμα των μεντεσέδων, είναι γεμάτες με ασφάλεια και υπάρχει κίνδυνος τραυματισμού αν κλείσουν στο χέρι σας.

Απαιτούμενα εργαλεία:

- Κατσαβίδι Phillips
- Κατσαβίδι ίσιο κανονικό





- ο Χαλαρώστε τις βίδες συγκράτησης (1) στη συσκευή και στη συνέχεια αφαιρέστε προσεκτικά τη θύρα της συσκευής.
- ο Τοποθετήστε τη θύρα της συσκευής σε μια προστατευμένη επιφάνεια, ώστε να μην καταστραφεί.
- ο Βγάλτε τα καπάκια κάλυψης (3).
- ο Τοποθετήστε τις βίδες συγκράτησης (1) στην απέναντι πλευρά της συσκευής από την αρχική τους θέση. Αυτές οι βίδες πρέπει να είναι μερικώς σφιγμένες αλλά όχι πλήρως σφιγμένες.
- ο Αφαιρέστε τις βίδες συγκράτησης της πόρτας (2) και, στη συνέχεια, αντιστρέψτε τη θέση του άνω και κάτω μεντεσέ (όπως φαίνεται στο παραπάνω διάγραμμα).
- ο Επανατοποθετήστε ξανά τη θύρα της συσκευής και στη συνέχεια σφίξτε ξανά πλήρως τις βίδες συγκράτησης (1) και τις βίδες συγκράτησης της πόρτας (2).
- ο Τοποθετήστε τα καπάκια κάλυψης (3) στις οπές που εκτίθενται τώρα στη δεξιά πλευρά του ντουλαπιού.

**ΣΗΜΑΝΤΙΚΟ:** Βεβαιωθείτε ότι η πόρτα ανοίγει και κλείνει σωστά, χωρίς ρύπανση, αφού ολοκληρώσετε τη διαδικασία αντιστροφής της πόρτας.

**Αφού αντιστρέψετε την πόρτα, πρέπει να ελέγξετε τη στεγανοποίηση της πόρτας της συσκευής. Το λάστιχο σφραγίσματος δεν πρέπει να τσαλακωθεί ή να σπάσει. Διαφορετικά θα υπάρχει ένα κενό μεταξύ αυτού και του εσωτερικού της πόρτας.**

- ο Το λάστιχο σφραγίσματος πρέπει να κολλάει σωστά σε όλη τη διαδρομή γύρω από την πόρτα.
- ο Αν το λάστιχο σφραγίσματος δεν είναι σωστά τοποθετημένο στο περίβλημα, θα πρέπει:
  - m) 90 mm
  - n) 140 mm
- 1. Χρησιμοποιήστε ένα ζεστό υγρό πανί και σκουπίστε με το χέρι το λάστιχο σφραγίσματος μέχρι να κολλήσει σωστά στο περίβλημα, και καθ' όλη τη διαδρομή περιμετρικά γύρω-γύρω από την πόρτα.

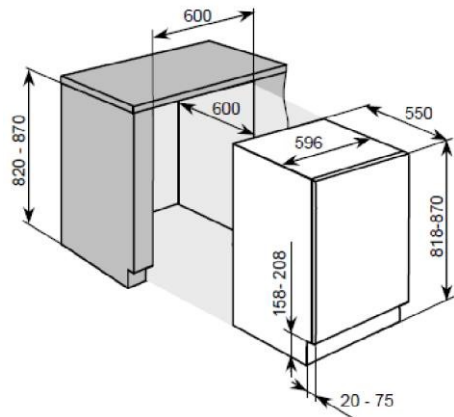
Ή

- 2. Χρησιμοποιήστε ένα στεγνωτήρα μαλλιών στη χαμηλότερη ρύθμιση θερμότητας και θερμαίνετε ελαφρώς τις περιοχές του λάστιχου σφραγίσματος της πόρτας που δεν προσκολλώνται σωστά. Η θερμότητα θα κάνει το λάστιχο σφραγίσματος πιο εύκαμπτο και αυτό θα σας επιτρέψει να τοποθετήσετε χειριστείτε το λάστιχο σφραγίσματος στη σωστή θέση.

**ΣΗΜΑΝΤΙΚΟ: ΜΗΝ ΘΕΡΜΑΙΝΕΤΕ ΤΟ ΛΑΣΤΙΧΟ ΣΦΡΑΓΙΣΜΑΤΟΣ ΤΗΣ ΠΟΡΤΑΣ ΜΕ ΟΤΙΔΗΠΟΤΕ ΠΑΡΑ ΜΟΝΟ ΜΕ ΠΟΛΥ ΧΑΜΗΛΗ ΘΕΡΜΟΚΡΑΣΙΑ Ή ΜΗΝ ΘΕΡΜΑΙΝΕΤΕ ΤΟ ΛΑΣΤΙΧΟ ΣΦΡΑΓΙΣΜΑΤΟΣ ΓΙΑ ΜΕΓΑΛΟ ΧΡΟΝΙΚΟ ΔΙΑΣΤΗΜΑ. ΣΕ ΚΑΘΕ ΑΛΛΗ ΠΕΡΙΠΤΩΣΗ ΕΝΔΕΧΕΤΑΙ ΝΑ ΠΡΟΚΛΗΘΕΙ ΖΗΜΙΑ ΣΤΟ ΛΑΣΤΙΧΟ ΣΦΡΑΓΙΣΜΑΤΟΣ ΤΗΣ ΠΟΡΤΑΣ, Η ΟΠΟΙΑ ΔΕΝ ΘΑ ΚΑΛΥΠΤΕΤΑΙ ΜΕ ΤΗΝ ΠΑΡΕΧΟΜΕΝΗ ΔΩΡΑΕΝ ΕΓΓΥΗΣΗ.**

#### Διαστάσεις διαφράγματος

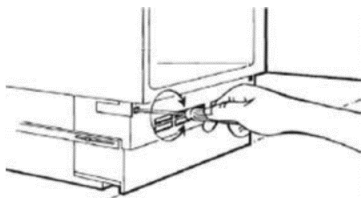
Το παρακάτω διάγραμμα δείχνει το μέγεθος του ανοίγματος που θα χρειαστεί να μπορέσετε να εγκαταστήσετε τη συσκευή σας.



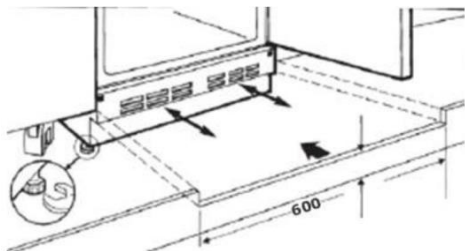
- ο Η συσκευή πρέπει να βρίσκεται σε επίπεδο πάτωμα. Μπορείτε να χρησιμοποιήσετε τα πόδια ισοπέδωσης για να λάβετε υπόψη οποιεσδήποτε ήσσονος σημασίας ανωμαλίες στο πάτωμα.

#### Ρύθμιση του πλίνθου / κωτηλασίας

- Όταν η συσκευή έχει τοποθετηθεί κάτω από την επιφάνεια εργασίας, μπορεί να αποφασίσετε να τοποθετήσετε μια πλίνθο ή κιβώτιο για να ταιριάξετε τις υπάρχουσες μονάδες κουζίνας σας.



- ο Αφαιρέστε το πλέγμα στη βάση της συσκευής ξεβιδώνοντας τις βίδες από κάθε πλευρά του πλέγματος και τραβώντας το πλέγμα προς το μέρος σας.



- ο Χρησιμοποιήστε ένα κλειδί για να ρυθμίσετε το ύψος των ρυθμιζόμενων ποδιών.
- ο Αν το άνοιγμα σας έχει ύψος 820 mm, τότε τα ρυθμιζόμενα πόδια πρέπει να σφίγγονται πλήρως.
- ο Αν το άνοιγμα σας έχει ύψος 870 mm, τότε τα ρυθμιζόμενα πόδια πρέπει να ρυθμιστούν σε ύψος 50 mm.
- ο Η συσκευή θα πρέπει να είναι στο ίδιο επίπεδο με την κάτω πλευρά της επιφάνειας εργασίας και να είναι πάνω σε επίπεδη θέση. **ΣΗΜΑΝΤΙΚΟ:** Εάν η συσκευή δεν είναι σε επίπεδη θέση, τότε μπορεί να επηρεαστεί η πόρτα και το λάστιχο σφραγίσματος της πόρτας.
- ο Μια αποκοπή πρέπει να γίνει στο πέλμα / κιβώτιο για αερισμό. Η τομή πρέπει να έχει πλάτος 600mm και ύψος μεταξύ 140mm και 90mm, ανάλογα με το ύψος που έχετε ρυθμίσει η συσκευή σας.
- ο Τοποθετήστε το πέλμα / κιβώτιο και στη συνέχεια επανατοποθετήστε το πλέγμα στην αρχική του θέση για να το κρατήσετε στη θέση του.

**ΣΗΜΑΝΤΙΚΟ:** Λάβετε υπόψη ότι όπως φαίνεται στο παραπάνω σχέδιο, πρέπει να γίνει μια εξαγωγή κατάλληλου μεγέθους εξαερισμού στο πέλμα / κιβώτιο του επίπλου.

### Τοποθέτηση της μοριοσανίδας καλύμματος στη συσκευή

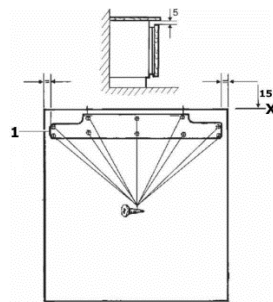
Εάν χρειάζεστε την πόρτα της συσκευής για να ανοίξετε από την άλλη πλευρά, τότε παρακαλούμε να γυρίσετε την πόρτα πριν ξεκινήσετε τη διαδικασία εγκατάστασης. (Ανατρέξτε στην ενότητα "Αντιστροφή του τμήματος της πόρτας").

Απαιτούμενα εργαλεία:

- ο Μετροταινία
- ο Ξύλινο μολύβι
- ο Μικρό ίσιο κατσαβίδι
- ο Αγγλικό κλειδί

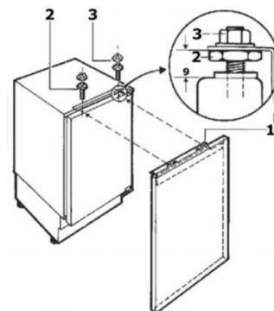
**ΣΗΜΑΝΤΙΚΟ:** Σας συνιστούμε να εγκαταστήσετε αυτή τη συσκευή δύο άτομα.

1. Ξεβιδώστε τις βίδες από τις δύο βίδες ρύθμισης που βρίσκονται στο επάνω μέρος της πόρτας της συσκευής και στη συνέχεια αφαιρέστε τη βάση στήριξης (1).

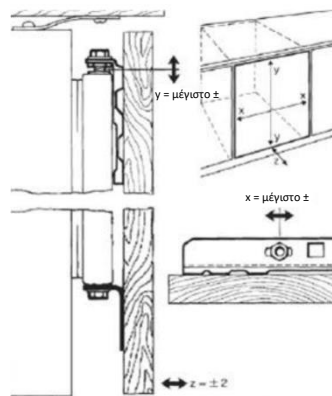


2. Μετρήστε το πλάτος της μοριοσανίδας καλύμματος, στο σημείο της μέσης σημειώστε μια γραμμή κάθετα κάτω από την εσωτερική επιφάνεια της μοριοσανίδας καλύμματος. Θα πρέπει να τραβήξετε τη γραμμή από την κορυφή της μοριοσανίδας καλύμματος μέχρι περίπου την μισή κατεύθυνση.

- ο Τοποθετήστε το βραχίονα τοποθέτησης (1) στο πίσω μέρος της μοριοσανίδας καλύμματος.
- ο Το μέσον του βραχίονα στήριξης θα πρέπει να τοποθετηθεί στη γραμμή που έχετε μόλις σχεδιάσει. Σημειώστε τη θέση του βραχίονα τοποθέτησης στο παραπάνω σχέδιο, για να βεβαιωθείτε ότι έχετε το βραχίονα τοποθέτησης σωστά.
- ο Η κορυφή του βραχίονα στήριξης πρέπει να τοποθετηθεί περίπου 15 mm από το πάνω μέρος της μοριοσανίδας καλύμματος. Αυτό θα σας επιτρέψει ένα διάκενο 5 mm από την κορυφή της μοριοσανίδας καλύμματος, μέχρι το κάτω μέρος του πάγκου εργασίας σας.
- ο Στερεώστε το στήριγμα στήριξης στην μοριοσανίδα καλύμματος χρησιμοποιώντας τις βίδες που παρέχονται και ένα κατσαβίδι με κεφάλι Phillips. Αυτές οι βίδες πρέπει να είναι πλήρως σφιγμένες.

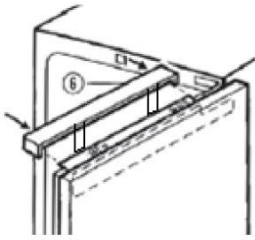


3. Κρεμάστε την μοριοσανίδα καλύμματος στη θύρα της συσκευής, βεβαιώνοντας ότι οι βραχίονες στο βραχίονα στήριξης εντοπίζονται πάνω από τους κοχλίες ρύθμισης.

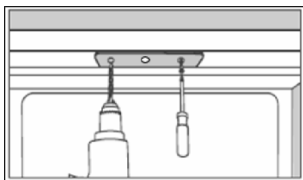


4. Χρησιμοποιήστε ένα κατσαβίδι για να ρυθμίσετε το κενό στο κάτω τμήμα των βιδών ρύθμισης. Το διάκενο πρέπει να ρυθμιστεί σε περίπου 9 mm (όπως φαίνεται στο παραπάνω σχέδιο).
5. Στερεώστε το κάτω βραχίονα στο κάτω μέρος της πόρτας επίπλων και στο κάτω μέρος της πόρτας της συσκευής (όπως φαίνεται στο σχέδιο στην προηγούμενη σελίδα).
- ο Είναι δυνατό να κάνετε μικρές ρυθμίσεις στη θέση της πόρτας επίπλων χρησιμοποιώντας τις βίδες στο πάνω και στο κάτω μέρος της πόρτας της

συσκευής. Θα πρέπει να κάνετε αυτές τις ρυθμίσεις ώστε η πόρτα επίπλων να είναι επίπεδη.



6. Τοποθετήστε την πλάκα επικάλυψης στην κορυφή της συσκευής, η οποία θα κολλήσει στη θέση της.



7. Ανοίξτε τη θύρα της συσκευής.

- ο Χρησιμοποιήστε ένα τρυπάνι κατάλληλου μεγέθους για να τρυπήσετε τις τρύπες στον βραχίονα, στην κορυφή της εργασίας.  
ΣΗΜΑΝΤΙΚΟ: Το

τρυπάνι θα πρέπει να είναι κατάλληλο για το υλικό από το οποίο είναι κατασκευασμένο το πάνω μέρος της εργασίας σας.

- ο Ασφαλίστε το βραχίονα στην κάτω πλευρά του πάγκου εργασίας, χρησιμοποιώντας τις βίδες που παρέχονται.  
ΣΗΜΑΝΤΙΚΟ: Αυτές οι βίδες πρέπει να είναι πλήρως σφιγμένες.  
ο Εάν η συσκευή εγκαθίσταται κάτω από μια επιφάνεια εργασίας από γρανίτη, χρησιμοποιήστε τις παρεχόμενες στηρίγματα τύπου L για να στερεώσετε το ψυγείο στο πλάι του θαλάμου. Χρησιμοποιήστε ένα τρυπάνι κατάλληλου μεγέθους για να τρυπήσετε τις τρεις τρύπες του βραχίονα στην πλευρά του ντουλαπιού στην αντίθετη πλευρά των μεντεσέδων.  
ο Οι ωοειδείς οπές στηρίζονται στις θέσεις των μεντεσέδων που δεν χρησιμοποιούνται στο μπροστινό μέρος της συσκευής. Χρησιμοποιήστε δύο βίδες για να στερεώσετε το στήριγμα προς τα εμπρός της συσκευής.

Ελέγξτε ότι η πόρτα ανοίγει και σβήνει χωρίς να χτυπήσει, καθώς και να ελέγξετε ότι η πόρτα σφραγίζει σωστά.

#### ΑΝΤΙΜΕΤΩΠΙΣΗ ΠΡΟΒΛΗΜΑΤΩΝ

ΣΗΜΑΝΤΙΚΟ: Εάν ο καταψύκτης σας φαίνεται να μην λειτουργεί σωστά, πριν επικοινωνήσετε με το Τμήμα Εξυπηρέτησης Πελατών, ανατρέξτε στη λίστα ελέγχου παρακάτω.

**Ο καταψύκτης μου δεν φαίνεται να λειτουργεί / δεν υπάρχει δύναμη στη συσκευή μου.**

- ο Ελέγξτε ότι το βύσμα είναι πλήρως τοποθετημένο στην πρίζα.  
ο Βεβαιωθείτε ότι υπάρχει τροφοδοσία στο δίκτυο (π.χ. ότι δεν υπάρχει διακοπή ρεύματος ή ότι η ασφάλεια δεν έχει καεί).  
ο Ελέγξτε ότι ο θερμοστάτης στο εσωτερικό της συσκευής δεν έχει στραφεί στη θέση <0>.  
ο Ελέγξτε ότι η τάση τροφοδοσίας δικτύου αντιστοιχεί στην τάση που αναγράφεται στην πινακίδα τύπου της συσκευής σας.

Το ψυγείο μου φαίνεται να έχει κακή απόδοση

- ο Ελέγξτε ότι η συσκευή δεν είναι υπερφορτωμένη και ότι τα τρόφιμα δεν έχουν συσσωρευτεί πολύ σφιχτά σε αυτήν.

- ο Η ρύθμιση του θερμοστάτη είναι πολύ χαμηλή. Θα πρέπει να γυρίσετε τον θερμοστάτη ψηλότερα.  
ο Βεβαιωθείτε ότι η πόρτα κλείνει σωστά και ότι η πόρτα δεν έχει ανοιχτεί για μεγάλο χρονικό διάστημα κατά λάθος.  
ο Βεβαιωθείτε ότι υπάρχει επαρκής αερισμός για τη συσκευή σας.

Το ψυγείο μου είναι θορυβώδες

- ο Το ψυκτικό αέριο που κυκλοφορεί στη σωλήνωση της συσκευής μπορεί να προκαλέσει ελαφρύ θόρυβο, ακόμη και αν ο συμπιεστής δεν λειτουργεί.  
ο Εάν ο θόρυβος επιδεινωθεί ή η συσκευή γίνει πιο δυνατά από το κανονικό, βεβαιωθείτε ότι έχει ρυθμιστεί σωστά, ότι τίποτα δεν αγγίζει το πίσω μέρος του ψυγείου και ότι τίποτα που τοποθετείται μέσα στη συσκευή δεν κουράζει.

Ο πάγος σχηματίστηκε γρήγορα στον εσωτερικό τοίχο του καταψύκτη μου

- ο Ελέγξτε ότι το φαγητό δεν έχει ωθηθεί πολύ πίσω μέσα στη συσκευή, έτσι ώστε να έρχεται σε επαφή με τον εσωτερικό τοίχο.

ΣΗΜΑΝΤΙΚΟ: Είναι φυσιολογικό να σχηματίζονται μερικές σταγόνες πάγου στον πίσω τοίχο της συσκευής. Ο σχηματισμός σταγονιδίων πάγου δεν δείχνει σφάλμα συσκευής.

#### ΜΗΝ ΠΡΟΣΠΑΘΕΙ ΝΑ ΕΠΙΣΚΕΥΕΤΕ ΤΗ ΣΥΣΚΕΥΗ ΣΑΣ.

Λάβετε υπόψη ότι εάν ζητηθεί από έναν μηχανικό να παραστεί ενώ το προϊόν είναι υπό εγγύηση και διαπιστώσει ότι το πρόβλημα δεν οφείλεται σε σφάλμα συσκευής, ενδέχεται να είστε υπεύθυνος για το κόστος της χρέωσης κλήσης.

Η συσκευή πρέπει να είναι προσβάσιμη από τον μηχανικό για να εκτελέσει την οποιαδήποτε αναγκαία επισκευή. Εάν η συσκευή σας είναι εγκατεστημένη κατά τέτοιο τρόπο ώστε ένας μηχανικός να ανησυχεί για τη ζημιά που θα προκληθεί στη συσκευή ή στην κουζίνα σας, τότε δεν θα ολοκληρωθεί η επισκευή.

**Αυτό περιλαμβάνει και καταστάσεις όπου μπροστά στη συσκευή έχουν τοποθετηθεί πλακάκια, σφραγισμένα με στεγανοποιητικό, διάφορα ξύλινα εμπόδια ή άλλα εμπόδια, όπως πλίνθοι ή τούβλα.**

Ανατρέξτε στις συνθήκες εγγύησης που εμφανίζονται στην κάρτα εγγύησης την οποία λαμβάνετε μαζί με τη συσκευή.

#### ΔΙΑΘΕΣΙΜΟΤΗΤΑ ΑΝΤΑΛΛΑΚΤΙΚΩΝ ΜΕΡΩΝ

Οι θερμοστάτες, οι αισθητήρες θερμοκρασίας, οι πλακέτες τυπωμένων κυκλωμάτων και οι πηγές φωτός διατίθενται για τουλάχιστον επτά χρόνια μετά την κυκλοφορία του τελευταίου τμήματος του μοντέλου λαβές πορτών, λαβές πορτών, ράφια και καλάθια για ελάχιστη περίοδο επτά ετών και στεγανοποιήσεις πορτών για ελάχιστη περίοδο 10 ετών, διαθέτοντας το τελευταίο μέρος του μοντέλου στην αγορά.

#### ΤΕΧΝΙΚΗ ΒΟΗΘΕΙΑ

Για να επικοινωνήσετε με την τεχνική βοήθεια, επισκεφθείτε τον ιστότοπό μας: <https://corporate.haier-europe.com/en/>. Στην ενότητα "websites", επιλέξτε τη μάρκα του προϊόντος σας και τη χώρα σας. Θα ανακατευθυνθείτε στον συγκεκριμένο ιστότοπο όπου μπορείτε να βρείτε τον αριθμό τηλεφώνου και τη φόρμα για να επικοινωνήσετε με την τεχνική βοήθεια

Για περισσότερες πληροφορίες σχετικά με το προϊόν, συμβουλευτείτε τη διεύθυνση <https://eprel.ec.europa.eu/> ή σαρώστε το QR στην ενεργειακή ετικέτα που παρέχεται με τη συσκευή.

Dziękujemy za zakup tego produktu.

## Polskie

Przed użyciem swojej lodówki zapoznaj się uważnie z niniejszą instrukcją obsługi, aby zapewnić jej jak najlepsze działanie. Zachowaj całą dokumentację w razie potrzeby użycia jej w przyszłości lub dla kolejnych właścicieli. Produkt ten przeznaczony jest wyłącznie do użytku domowego lub podobnych zastosowań, na przykład:

- w strefie kuchennej dla personelu w sklepach, biurach oraz innych środowiskach roboczych;
- w gospodarstwach rolnych, hotelach, motelach oraz innych środowiskach typu mieszkalnego;
- w pensjonatach typu B&B;
- w ramach usług cateringowych i podobnych zastosowań niezwiązanych ze sprzedażą detaliczną.

Urządzenia tego należy używać wyłącznie do przechowywania żywności. Wszelkie inne zastosowania uważane są za niebezpieczne i producent nie będzie ponosił odpowiedzialności za jakiegokolwiek zaniedbania. Należy również mieć na uwadze warunki gwarancji.

## INFORMACJE DOTYCZĄCE BEZPIECZEŃSTWA

Prosimy o uważne przeczytanie instrukcji obsługi i montażu! Zawierają one ważne informacje dotyczące instalacji, użytkowania i konserwacji urządzenia. Producent nie ponosi odpowiedzialności w przypadku nieprzestrzegania instrukcji i ostrzeżeń. Całą dokumentację należy zachować w celu skorzystania z niej w przyszłości lub dla kolejnych właścicieli.

- **Nie należy podłączać urządzenia do zasilania, dopóki wszystkie opakowania oraz elementy zabezpieczające podczas transportu nie zostaną usunięte. Należy trzymać dzieci z dala od opakowania i jego części. Niebezpieczeństwo uduszenia przez składane kartony i plastikową folię!**
- **Pozostawić urządzenie stojące przed uruchomieniem przez co najmniej 4 godziny, aby pozwolić olejowi w sprężarce ustabilizować się, jeśli urządzenie było transportowane w poziomie**
- **Po dostarczeniu produktu należy się upewnić, że nie jest on uszkodzony i że wszystkie jego części oraz akcesoria są w doskonałym stanie**

- **Nie dopuścić do uszkodzenia obwodu czynnika chłodniczego**
- **Nie zasłaniać otworów wentylacyjnych w obudowie urządzenia lub w szafce, w której je zabudowano**
- **Nigdy nie używać bezpośrednio wody do czyszczenia sprężarki, przetrzeć dokładnie suchą szmatką po wyczyszczeniu, aby uniknąć kurzu**
- **Zawsze przenoś urządzenie z pomocą co najmniej dwóch osób, ponieważ jest ono ciężkie.**
- **Zainstaluj i wypoziomuj urządzenie w miejscu odpowiednim dla jego wielkości i przeznaczenia.**
- **Upewnij się, że informacje dotyczące elektryki na tabliczce znamionowej są zgodne z parametrami zasilania. Jeśli tak nie jest, skontaktuj się z elektrykiem.**
- **Urządzenie jest zasilane prądem 220 - 240 V/50 Hz. Odbiegające od normy wahania napięcia mogą spowodować niewłaźczenie się urządzenia albo uszkodzenie regulatora temperatury lub sprężarki. Mogą też być przyczyną nietypowego hałasu podczas pracy. W takim przypadku powinien zostać zamontowany automatyczny regulator.**
- **Tylko dla Wielkiej Brytanii: Kabel zasilający urządzenie jest wyposażony we wtyczki z 3 bolcami (z uziemieniem), która pasuje do standardowego gniazda z 3 przewodami (z uziemieniem). Nigdy nie odcinaj ani nie wyjmuj trzeciego bolca (z uziemieniem). Po zainstalowaniu urządzenia powinien być dostęp do wtyczki.**

- Upewnić się, że kabel zasilania sieciowego nie jest przytrzaśnięty pod urządzeniem podczas przenoszenia go lub po tego typu czynności, aby uniknąć przecięcia go lub uszkodzenia. W razie uszkodzenia przewodu zasilającego powinien on zostać wymieniony przez producenta, jego serwisanta lub inną wykwalifikowaną osobę, aby uniknąć zagrożenia
- Nie instalować urządzenia w wilgotnych, oleistych lub zakurzonych pomieszczeniach ani nie narażać go na bezpośrednie promienie słoneczne lub wodę
- Nie instalować urządzenia w pobliżu grzejników lub materiałów łatwopalnych
- DLA urządzeń z zamrażalnikiem: w przypadku awarii zasilania nie otwierać pokrywy. Zamrożona żywność nie powinna się zepsuć, jeśli awaria trwa krócej niż godziny wskazane na etykiecie (czas wzrostu temperatury). W przypadku dłuższych awarii żywność należy sprawdzić i niezwłocznie spożyć lub ugotować i ponownie zamrozić.
- Utrudnione otwieranie pokrywy urządzenia zaraz po jej zamknięciu nie świadczy o awarii. Przyczyną jest różnica ciśnień, która po kilku minutach powinna się wyrównać, umożliwiając normalne otwarcie urządzenia.
- Nie przechowuj w urządzeniu leków, bakterii lub substancji chemicznych. To urządzenie służy do użytku domowego, nie zaleca się przechowywania materiałów, które wymagają ściśle określonej temperatury.
- Nie dociskać nadmiernie ani nie zginać przewodu zasilającego i nie dotykać wtyczki mokrymi dłońmi
- Nie przechowywać w urządzeniu produktów zawierających łatwopalny gaz napędowy (np. puszki z aerozolem) lub substancji wybuchowych. Ryzyko wybuchu!
- Na lodówce nie należy umieszczać niestabilnych przedmiotów (ciężkich przedmiotów, pojemników wypełnionych wodą), aby uniknąć obrażeń ciała spowodowanych upadkiem lub porażeniem prądem elektrycznym w wyniku kontaktu z wodą.
- Nie używać urządzeń elektrycznych wewnątrz komór urządzenia do przechowywania żywności, o ile nie są to urządzenia zalecane przez producenta
- Nie dotykać wewnętrznych elementów chłodzących, zwłaszcza mokrymi rękoma, aby uniknąć uszkodzeń lub obrażeń
- Zagrożone są tutaj dzieci, osoby o ograniczonych zdolnościach fizycznych, umysłowych lub sensorycznych, a także osoby, które nie posiadają wystarczającej wiedzy na temat bezpiecznej obsługi urządzenia. Upewnij się, czy dzieci i osoby narażone na uraz zrozumiały zagrożenia. Osoba odpowiedzialna za bezpieczeństwo musi nadzorować lub

poinstruować dzieci i osoby narażone na uraz, które obsługują urządzenie. Z urządzenia mogą korzystać dzieci w wieku od 8 lat.

- Nie należy zezwalać dzieciom na zabawę z urządzeniem
- Dzieci w wieku od 3 do 8 lat mogą wkładać produkty do tego urządzenia lub je z niego wyjmować
- W PRZYPADKU urządzenie z zamrażalnikiem: nie przechowuj płynów butelkowanych lub konserwowanych (zwłaszcza napojów gazowanych) w zamrażarce. Butelki i puszki mogą pęknąć!
- W PRZYPADKU urządzenie z zamrażalnikiem: nigdy nie spożywaj mrożonek bezpośrednio wyciągniętych prosto z zamrażalnika. Ryzyko poparzenia niskotemperaturowego!
- Chronić plastikowe części i uszczelkę drzwi przed olejem i smarem. W przeciwnym razie plastikowe części i uszczelka drzwi staną się porowate.
- Przed wykonaniem jakiegokolwiek czynności odłączyć kabel zasilający od gniazdka zasilającego
- Nie używać urządzenia mechanicznych ani innych środków do przyspieszania procesu rozmrażania, o ile nie są one zalecane przez producenta
- Nie używać ostrych lub szpiczastych przedmiotów, takich jak noże lub widelce, do

usuwania szronu. Nigdy nie używać do rozmrażania suszarek do włosów, grzałek elektrycznych lub innych urządzeń elektrycznych

- Zaleca się utrzymywać wtyczkę w czystości. Wszelkie nadmierne pozostałości kurzu na wtyczce mogą spowodować pożar
- Nie należy próbować samodzielnie naprawiać, demontować ani modyfikować urządzenia. W przypadku konieczności naprawy prosimy o kontakt z naszym działem obsługi klienta.
- Nadzoruj dzieci podczas czyszczenia lub konserwacji urządzenia.
- Nie czyść zimnych szklanych półek gorącą wodą. Nagła zmiana temperatury może spowodować pęknięcie szkła.
- **OSTRZEŻENIE:** Rury obwodu chłodniczego przenoszą niewielką ilość przyjaznego dla środowiska, ale łatwopalnego czynnika chłodniczego (R600a) i gazu izolacyjnego (cyklopentan). Nie niszczy warstwy ozonowej i nie zwiększa efektu cieplarnianego. Wyciek czynnika chłodniczego może spowodować obrażenia oczu lub zapalenie się.
- W razie uszkodzenia obwodu czynnika chłodniczego:
  - Wyłącz urządzenie i wyciągnij wtyczkę z gniazdka,
  - Trzymaj otwarty ogień i/lub źródła zapłonu z dala od urządzenia,
  - Dokładnie przewietrz pomieszczenie przez kilka minut,
  - Poinformuj obsługę klienta.
- **OSTRZEŻENIE:** Nie uszkodź wtyczki ani przewodu zasilającego, ponieważ

może to spowodować porażenie elektryczne lub pożar.

- **OSTRZEŻENIE:** Nie używaj wielu przenośnych gniazdek ani przenośnych zasilaczy. Odradzamy korzystanie z przedłużaczy i rozgałęźników.
- Nie próbuj siadać ani stawać na górze urządzenia. Grozi to urazami lub uszkodzeniem urządzenia. Urządzenie nie jest przystosowane do ustawiania jedno na drugim razem z innymi.
- Produkt ten jest projektowany i produkowany wyłącznie z myślą o użytku domowym
- Wolno używać tylko oryginalnych części dostarczonych przez producenta. Producent gwarantuje, że tylko te części spełniają wymogi bezpieczeństwa.
- Pozostawienie na dłużej otwartych drzwiczek może spowodować wzrost temperatury w komorach urządzenia
- Czyścić regularnie powierzchnie, które mogą mieć kontakt z żywnością i dostępnymi systemami odprowadzania wody
- Wyczyścić zbiorniki na wodę, jeśli nie były one używane przez 48 godzin; przepłukać system wodny podłączony do zasilania urządzenia, jeśli woda nie była pobierana przez 5 dni
- Umieszczać surowe mięso i ryby w odpowiednich pojemnikach w chłodziarce, aby nie miały one kontaktu z inną żywnością ani

nie skapywały na nią żadne płyny

- Szuflady na zamrożoną żywność oznaczone dwoma gwiazdkami (o ile znajdują się one w urządzeniu) przeznaczone są do przechowywania wstępnie zamrożonej żywności, przechowywania lub wytwarzania lodów i kostek lodu
- Szuflady z jedną, dwoma lub trzema gwiazdkami (o ile znajdują się one w urządzeniu) nie nadają się do zamrażania świeżej żywności
- Jeśli urządzenie zostanie pozostawione puste przez dłuższy czas, należy je wyłączyć, rozmrozić, wyczyścić, wysuszyć i pozostawić drzwiczki otwarte, aby uniknąć rozwoju w urządzeniu pleśni
- W przypadku urządzenia do przechowywania wina: Urządzenie przeznaczone wyłącznie do przechowywania wina
- W przypadku urządzenia wolnostojącego zamieszcza się ostrzeżenie: To urządzenie chłodnicze nie jest przeznaczone do użytku jako urządzenie do zabudowy
- W przypadku urządzeń bez komory czterogwiazdkowej: To urządzenie chłodnicze nie jest odpowiednie na potrzeby zamrażania środków spożywczych

#### Usuwanie starych urządzeń



Urządzenie to posiada oznaczenie zgodne z dyrektywą europejską 2012/19/UE w sprawie zużytego sprzętu elektrycznego i elektronicznego (WEEE).

WEEE zawiera zarówno substancje zanieczyszczające (które mogą powodować negatywne skutki dla środowiska), jak i podstawowe komponenty (które mogą zostać ponownie użyte). Ważne jest poddawanie WEEE specyficznej obróbce, aby usunąć i prawidłowo utylizować wszelkie elementy zanieczyszczające, a także odzyskiwać i poddawać recyklingowi wszelkie możliwe materiały.

Ludzie mogą odgrywać ważną rolę w zapewnianiu, że WEEE nie stanie się problemem środowiskowym; ważne jest przestrzeganie pewnych podstawowych zasad:

- WEEE nie powinien być traktowany tak samo jak inne odpady domowe;
- WEEE powinien być przekazywany do właściwych punktów zbiórki odpadów obsługiwanych przez gminę lub zarejestrowane przedsiębiorstwa. W wielu krajach w przypadku dużych WEEE może być przewidziany odbiór bezpośrednio z posesji.

W wielu krajach, kiedy kupuje się nowe urządzenie, stare urządzenie można zwrócić sprzedawcy, który odbierze je za darmo na zasadzie „urządzenie za urządzenie”, pod warunkiem, że urządzenie jest odpowiedniego typu i posiada te same funkcje co nowy dostarczony sprzęt.

## Zgodność

Poprzez umieszczenie oznaczenia **CE** na tym produkcie potwierdzamy, że urządzenie to jest zgodne ze wszelkimi dotyczącymi tego produktu obowiązującymi prawnie wymogami europejskimi w zakresie bezpieczeństwa, zdrowia i środowiska.

## Gwarancji

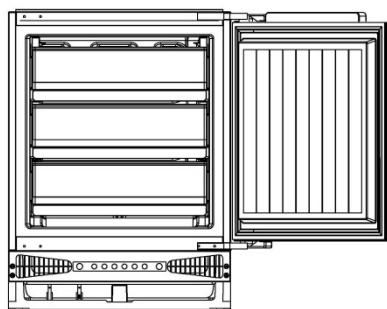
Minimalny okres gwarancji: Kraje UE – 2 lata, Turcja – 3 lata, Wielka Brytania – rok, Rosja – rok, Szwecja – 3 lata, Serbia – 2 lata, Norwegia – 5 lat, Maroko – rok, Algieria – 6 miesięcy, Tunezja – gwarancja prawna nie jest wymagana

## Oszczędzanie energii

Aby zapewnić wyższą oszczędność energii, sugerujemy:

- zainstalować urządzenie z dala od źródeł ciepła i nie wystawiać go na bezpośrednie działanie promieni słonecznych, w dobrze wentylowanym pomieszczeniu;
- unikać umieszczania w chłodziarce gorącej żywności, aby zapobiec wzrostowi temperatury zewnętrznej, a tym samym powodowaniu ciągłego działania sprężarki;
- nie wkładać nadmiernej ilości żywności, aby zapewnić prawidłową cyrkulację;
- rozmrozić urządzenie w razie pojawienia się w nim lodu w celu ułatwienia przenikania zimna;
- w razie braku energii elektrycznej zaleca się pozostawić drzwiczki chłodziarki zamknięte;
- jak najrzadziej otwierać drzwiczki urządzenia i jak najkrócej pozostawiać je otwarte;
- unikać ustawiania zbyt niskich temperatur;
- usuwać kurz z tylnej części urządzenia.

## OPIS URZĄDZENIA



### UWAGA:

**Ilustracja ma charakter poglądowy i może różnić się od produktu użytkownika.**

**Najbardziej energooszczędna konfiguracja wymaga umieszczenia szuflad, pudełek na żywność i półek w produkcie, patrz powyższe rysunki.**

## KORZYSTANIE Z LODÓWKI SPIŻARNIOWEJ

### Przed włączeniem

- o Upewnić się, że lodówka została zainstalowana przez odpowiednio wykwalifikowane osoby, zgodnie z informacjami zawartymi w instrukcji montażu produktu.
- o Po dostawie należy odczekać osiem godzin przed podłączeniem urządzenia do sieci zasilającej. Pozwoli to na ustabilizowanie się gazów czynnika chłodniczego, które mogły zostać zakłócone podczas transportu.
- o Zewnętrzną stronę urządzenia oraz znajdujące się w nim akcesoria wyjmowane należy oczyścić roztworem płynnego detergentu i wody.
- o Wnętrze urządzenia należy oczyścić roztworem wodorowęglanu sodu rozpuszczonym w letniej wodzie. Po zakończeniu procesu czyszczenia wnętrze i akcesoria powinny być dokładnie osuszone.
- o Przy pierwszym włączeniu urządzenia może być wyczuwalny zapach. Zapach zmniejszy się, gdy urządzenie zacznie się schładzać.


### Podczas pierwszego użycia


- o Pokrętko termostatu należy ustawić na maksymalną wartość przez 24 godziny po pierwszym włączeniu urządzenia.
- o Po pierwszym włączeniu urządzenia sprężarka będzie pracowała nieprzerwanie przez około 24 godziny lub do momentu, gdy zamrażarka osiągnie wystarczającą temperaturę.
- o W tym czasie nie należy otwierać często drzwi lodówki, ani wkładać do niej dużych ilości żywności.
- o Następnie należy ustawić termostat w normalnym położeniu roboczym.
- o Jeżeli urządzenie zostanie wyłączone lub odłączone od sieci, należy odczekać co najmniej 5 minut przed ponownym uruchomieniem urządzenia za pomocą termostatu lub podłączeniem do sieci zasilającej.

## OBSŁUGA

### Uruchomienie lodówki

K dispozici je celkem 6 nastavení teploty chladničky. Po připojení k napájecímu zdroji se chladnička nastaví na nastavení 3, což je výchozí nastavení.




Przycisk „”: umieszczony po prawej stronie, służy do włączania i wyłączenia lodówki poprzez naciśnięcie przez 3s.

Przycisk „”: umieszczony po lewej stronie, służący do regulacji ustawień temperatury w lodówce





### Regulacja temperatury:

Temperaturę wewnątrz lodówki reguluje się poprzez naciśnięcie lewego przycisku „”. Po naciśnięciu przycisku, ustawienia od 1 do 5 przedstawiają różne temperatury od najwyższej do najniższej. „” wskazuje funkcję super zamrażania. Naciskając przycisk „” w sposób ciągły, wybierz funkcję super zamrażania. Po aktywacji symbol SF (super zamrażanie) będzie się świecił. Okres SF będzie trwał 24 godziny, następnie zostanie automatycznie wyłączony, a poprzednie ustawienie termostatu zostanie przywrócone.

Pozycja	Warunki
1-2	Temperatura letnia lub zewnętrzna w zakresie 25-35°C.
3-4	Wiosna, jesień lub temperatura otoczenia pomiędzy 15-25°C.
4-5	Zima lub temperatura otoczenia 5-15°C
Funkcja super zamrażania	Szybkie zamrażanie

**Ostrożnie:** W przypadku regulacji temperatury lodówka potrzebuje czasu, aby osiągnąć ustawiony poziom. Długość tego okresu zależy od różnicy temperatury bieżącej i zadanej, temperatury otoczenia, częstotliwości otwierania i zamykania drzwi oraz ilości przechowywanej żywności.

### Komora zamrażarki

- o Komora zamrażarki musi najpierw osiągnąć temperaturę -18°C lub niższą zanim będzie można włożyć do niej zamrożoną żywność lub żywność przeznaczoną do zamrożenia.
- o Komora zamrażarki może zamrozić tylko określoną ilość żywności jednocześnie. Nie należy próbować zamrażać więcej niż 4,5 kg świeżej żywności w ciągu 24 godzin.
- o Przed zamrożeniem ciepłej żywności należy odczekać, aż ostygnie. Zwiększona ilość wilgoci z ciepłej żywności włożonej do zamrażarki spowoduje szybsze powstawanie lodu i zwiększy zużycie energii przez urządzenie.
- o W odniesieniu do maksymalnego czasu przechowywania należy przestrzegać wskazówek producenta żywności.
- o Rozmrażana żywność nie może być zamrażana po raz drugi.
- o Nie otwierać zbyt często drzwi zamrażarki ani nie pozostawiać ich otwartych przez dłuższy czas, ponieważ spowoduje to wzrost temperatury wewnątrz urządzenia i zwiększenie zużycia energii.

Umieścić żywność w różnych komorach, zgodnie z informacjami w poniższej tabeli

Komory chłodziarki	Rodzaj żywności
Szuflady/tacka zamrażarki	<ul style="list-style-type: none"> <li>• Żywność do długotrwałego przechowywania</li> <li>• Dolna szuflada na surowe mięso, drób, ryby.</li> <li>• Środkowa szuflada na mrożone warzywa i frytki.</li> <li>• Górna tacka na lody, mrożone owoce, mrożone wypieki.</li> </ul>

### Wskazówki dotyczące zamrażania

- o Worki do zamrażania, folie polietylenowe, folia aluminiowa (bardzo gruba) i specjalne pojemniki do mrozonek są odpowiednimi opakowaniami do przechowywania mrozonek.
- o Taśmy, opaski gumowe lub plastikowe klipsy nadają się do zamykania toreb i opakowań.
- o Przed zamknięciem odpowiedniego worka, należy wycisnąć z niego

powietrze, ponieważ ułatwi to zamrażanie żywności.

- o Płaskie opakowania łatwiej się zamrażają.
- o W przypadku zamrażania płynu nie napełniać pojemnika po brzegi. Płyn rozszerzają się w trakcie zamrażania.
- o W przypadku żywności mrożonej należy zapoznać się z czasem przechowywania podanym na opakowaniu żywności. Czas przechowywania jest osiągnięty zawsze, gdy ustawienie uwzględni temperaturę odniesienia komory (komora z jedną gwiazdką -6° C, z dwoma gwiazdkami -12° C, z trzema gwiazdkami -18° C)

**Nie wkładać do zamrażarki butelek (szklanych ani blaszanych) zawierających płyny (zwłaszcza napoje gazowane), ponieważ mogą one spowodować rozerwanie butelek podczas zamrażania.**

### Wytwarzanie kostek lodu

- o Napełnić foremkę na kostki wodą umieścić ją w zamrażarce.
- o Po całkowitym zamrożeniu wody można przekrzywić foremkę z kostkami lodu (jak pokazano na poniższym rysunku), aby wydobyć lód.

### OSZCZĘDZANIE ENERGII PODCZAS UŻYWANIA LODÓWKI

#### Montaż:

- o Zamontować urządzenie w chłodnym miejscu. Zużycie energii może znacznie wzrosnąć, jeżeli urządzenie zostanie umieszczone w bezpośrednim świetle słonecznym lub obok piecyka bądź innego źródła ciepła.
- o Upewnić się, że w miejscu instalacji spełnione są wymagania prawidłowej wentylacji. Ograniczenie wentylacji może zwiększyć zużycie energii o 15%.

#### Czyszczenie i konserwacja:

- o Od czasu do czasu należy oczyścić węzłownice skraplacza (jeśli występują) z tyłu urządzenia, aby utrzymać jego wysoką sprawność.
- o Należy regularnie rozmrażać urządzenie. Nagromadzenie się grubego lodu obniża sprawność urządzenia. Urządzenie należy odszronić, gdy szron osiągnie 5 mm grubości.
- o Umyć uszczelkę drzwi ciepłą wodą lub neutralnym detergentem, który nie zostawia śladów. Szczelnie zamykająca uszczelka w drzwiach ma decydujące znaczenie dla wydajności urządzenia.

#### Korzystanie:

- o Nie otwierać często drzwi, nie częściej niż to potrzebne. i
- o Nie ustawiać termostatu za nisko. Zmiana o zaledwie jeden stopień może zwiększyć zużycie energii o 5%. Sprawdzić temperaturę za pomocą termometru.
- o Zamrażarka powinna pracować w temperaturze -15 do -18°C
- o Przed włożeniem jedzenia do urządzenia należy odczekać, aż ostygnie (ale nie wolno dopuścić do zbyt długiego pozostawiania w temperaturze pokojowej).
- o W zamrażarce opakowania żywności należy układać oddzielnie i nigdy nie należy ich grupować ani układać w stopy aż do całkowitego zamrożenia.
- o W przypadku wyjazdu na dłuższy czas należy wyłączyć urządzenie, opróżnić je i oczyścić, i zostawić otwarte drzwi.
- o Jeżeli użytkownik posiada drugie urządzenie, które nie jest używane, należy je przechowywać z wyłączonym zasilaniem i otwartymi drzwiami, dopóki nie będzie potrzebne.

#### Utylizacja:

- o Jeśli użytkownik zamierza pozbyć się starej lodówki, należy sprawdzić, czy w okolicy znajduje się zakład recyklingu chlorofluorowęglodorów (CFC). Odpowiednich informacji może udzielić lokalny urząd kompetentny w sprawie ochrony środowiska.

## CZYSZCZENIE I KONSERWACJA

**OSTRZEŻENIE:** PRZED PRZYSTĄPIENIEM DO CZYSZCZENIA URZĄDZENIA NALEŻY UPEWNIĆ SIĘ, ŻE JEST ONO ODŁĄCZONE OD ZASILANIA SIECIOWEGO.

- o Nie czyścić urządzenia przez polewanie lub spryskiwanie wodą.
- o Zamrażarkę należy okresowo czyścić roztworem wodorowęglanu sodowego i letniej wody. Akcesoria czyścić oddzielnie wodą z mydłem. Nie myć ich w zmywarce.
- o Nie należy używać produktów, detergentów ani mydeł o działaniu agresywnym.
- o Po umyciu urządzenia przetrzeć umyte powierzchnie wilgotną ściereczką, a następnie dokładnie wysuszyć.
- o Po zakończeniu czyszczenia wytrzeć ręce do sucha, a następnie podłączyć wtyczkę do sieci zasilającej.

### Rozmrażanie komory zamrażarki

Szron z komory zamrażarki należy okresowo usuwać. Można używać plastikowej skrobaczki, aby ograniczać ilość gromadzącego się szronu.

**WAŻNE:** Zamrażarkę należy rozmrażać co najmniej raz w miesiącu. Liczba koniecznych rozmrożeń zależy od ustawienia termostatu i ilości żywności zamrożonej i przechowywanej w zamrażarce.

- o Na dzień przed rozmrażaniem należy obrócić pokrętko termostatu do pozycji <5>, aby upewnić się, że żywność zawarta w zamrażarce jest prawidłowo zamrożona.
- o Podczas rozmrażania urządzenia, żywność należy wyjąć z zamrażarki, owinąć w kilka warstw papieru i przechowywać w chłodnym miejscu. Wzrost temperatury żywności skróci jej czas przechowywania, dlatego należy ją zużyć we względnie krótkim czasie.

**NIE WKŁADAĆ PONOWNIE DO ZAMRAŻARKI ŻYWNOSCI, KTÓRA ZACZEŁA SIĘ ROZMRAŻAĆ.**

- o Ustawić pokrętko termostatu w pozycji <0> i odłączyć urządzenie od sieci elektrycznej.
- o Pozostawić drzwi zamrażarki otwarte. W zamrażarce można umieścić miskę z ciepłą wodą, aby przyspieszyć proces rozmrażania.
- o Do zbierania wody gromadzącej się na dnie zamrażarki można używać gąbki.

**WAŻNE:** Położyć kilka starych ręczników na podłodze znajdującej się bezpośrednio przed urządzeniem. Pozwoli to wchłonąć wodę, która może wypłynąć z zamrażarki na podłogę.

- o Po stopieniu się całego nagromadzonego lodu wewnątrz zamrażarki należy dokładnie oczyścić. Pominięcie tej czynności spowoduje szybkie nagromadzenie się lodu po ponownym włączeniu urządzenia.
- o Po wytarciu do sucha rąk podłączyć ponownie urządzenie do sieci zasilającej. Ustawić pokrętko termostatu w położeniu <5> na okres 24 godzin przed powrotem do normalnego ustawienia <3>.
- o Nie należy próbować zamrażać świeżej żywności wewnątrz zamrażarki przed upływem 24-godzin.

**Nie rozmrażać urządzenia z innymi urządzeniami elektrycznymi (np. suszarką do włosów). Nie używać ostrych metalowych przedmiotów do usuwania lodu z zamrażarki, ponieważ może to spowodować uszkodzenie układu czynnika chłodniczego.**

## INSTALACJA

**WAŻNE:** Przed instalacją i rozpoczęciem użytkowania należy przeczytać wszystkie instrukcje i upewnić się, że napięcie (V) i częstotliwość (Hz) podane na tabliczce znamionowej są dokładnie takie same, jak napięcie i częstotliwość w domu. Tabliczka znamionowa znajduje się z przodu po lewej stronie wewnętrznej części lodówki.

Producent nie ponosi żadnej odpowiedzialności w przypadku, gdy instalator nie przestrzega wszystkich obowiązujących przepisów dotyczących zapobiegania wypadkom, które są niezbędne do normalnego użytkowania i standardowego działania instalacji elektrycznej.

### Podłączenie elektryczne

ZAMRAŻARKA JEST PRZEZNACZONA DO TRWAŁEGO MONTAŻU W ZABUDOWIE.

Zalecamy, aby urządzenie było podłączone przez wykwalifikowanego elektryka, postępującego zgodnie z obowiązującymi przepisami w sprawie instalacji elektrycznych.

- o Zamrażarka jest dostarczana z wtyczką z bezpiecznikiem 13 A. Jeżeli w przyszłości wymagana będzie wymiana bezpiecznika we wtyczce, to należy użyć bezpiecznika zgodnego z normą BS 1362. Przewody w kablu zasilającym mają następujące kolory:

**Braźowy** faza

**Niebieski** zero

**Zielono-żółty** uziemienie

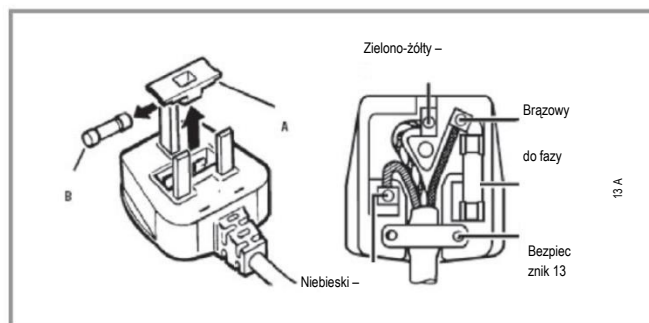
- o Ponieważ kolory przewodów w głównym kablu urządzenia mogą nie być zgodne z kolorowymi oznaczeniami identyfikującymi zaciski w puszcze zaciskowej, należy postępować w następujący sposób:

Przewód **braźowy** należy podłączyć do zacisku oznaczonego literą „L” (live = faza) lub kolorem **czerwonym**.

Przewód **niebieski** należy podłączyć do zacisku oznaczonego literą „N” (neutral = zero) lub kolorem **czarnym**.

Przewód **zielono-żółty** należy podłączyć do zacisku oznaczonego literą „E” (earth = uziemienie) lub symbolem uziemienia lub kolorem **zielonym i żółtym**.

- o Po zakończeniu połączenia nie powinny pozostać żadne odcięte kawałki przewodów. Zacisk przewodu musi być zamocowany na zewnętrznej osłonie.



### Ustawienie

- o Zaleca się, aby urządzenie było zainstalowane tylko w miejscu, w którym temperatura otoczenia pomieszczenia odpowiada klasyfikacji klimatycznej podanej na tabliczce znamionowej urządzenia. Urządzenie może nie działać prawidłowo, jeśli temperatura otoczenia przekroczy podane zakresy.

- Rozszerzona umiarkowana (SN): dodaje się ostrzeżenie: „Urządzenie chłodnicze jest przeznaczone do użytku w temperaturze otoczenia mieszczącej się w zakresie od 10 °C do 32 °C”
- Umiarkowana: dodaje się ostrzeżenie (N): „Urządzenie chłodnicze jest przeznaczone do użytku w temperaturze otoczenia mieszczącej się w zakresie od 16 °C do 32 °C”
- Subtropikalna: dodaje się ostrzeżenie (ST): „Urządzenie chłodnicze jest przeznaczone do użytku w temperaturze otoczenia mieszczącej się w zakresie od 16 °C do 38 °C”
- Tropikalna: dodaje się ostrzeżenie (T): „Urządzenie chłodnicze jest przeznaczone do użytku w temperaturze otoczenia mieszczącej się w zakresie od 16 °C do 43 °C”

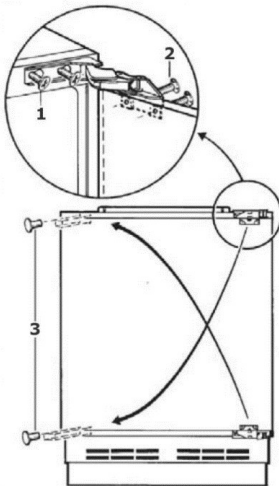
- o Urządzenie nie powinno być wystawione na bezpośrednie działanie promieni słonecznych, ciągłe działanie ciepła lub skrajnych temperatur (np. obok grzejnika lub kotła).
- o Drzwi urządzenia powinny otwierać się całkowicie i swobodnie.
- o Urządzenie powinno być umieszczone w taki sposób, aby można było w łatwy sposób uzyskać dostęp do przechowywanej w nim żywności.
- o Należy sprawdzić, czy dostępne jest gniazdo elektryczne, które będzie dostępne po zainstalowaniu urządzenia.

#### Odwracanie strony otwierania drzwi urządzenia

Ta procedura MUSI być wykonana przed dołączeniem drzwi meblowych. Wszelkie części wymontowane z urządzenia podczas odwracania drzwi należy zachować do późniejszego użycia.

**OSTRZEŻENIE – Należy zachować ostrożność przy otwieraniu zawiasów, są one wyposażone w sprężyny i istnieje ryzyko zranienia w przypadku zakleszczenia dłoni w zawiasie.**

- Potrzebne narzędzia:
- o Śrubokręt krzyżakowy
  - o Śrubokręt płaski



- o Poluzować śruby mocujące (1) na urządzeniu a następnie starannie wymontować drzwi urządzenia.
- o Umieścić drzwi urządzenia na wyścielanej powierzchni, aby nie uległy uszkodzeniu.
- o Wyjąć zatyczki (3).
- o Włożyć śruby mocujące (1) po przeciwległej stronie urządzenia względem pierwotnego położenia. Śruby te powinny być częściowo dokręcone, ale nie do końca.
- o Wykręcić śruby mocujące drzwi (2), a następnie zamienić położenie górnego i dolnego zawiasu (jak pokazano na powyższym schemacie).
- o Zamocować drzwi urządzenia, a następnie w pełni dokręcić śruby mocujące oraz śruby mocujące drzwi (2).
- o Włożyć zatyczki (3) do otworów, które są teraz odsłonięte z prawej strony szafki.

**WAŻNE:** Po zakończeniu procesu odwracania kierunku otwierania drzwi należy sprawdzić, czy drzwi otwierają się i zamykają prawidłowo, bez trudności.

**Po odwróceniu drzwi należy sprawdzić uszczelkę drzwiową urządzenia. Uszczelka nie może być pofałdowana ani zgnieciona; w przeciwnym razie między uszczelką a wewnętrzną stroną drzwi powstanie szczelina.**

- o Uszczelka musi przylegać prawidłowo na całym obwodzie drzwi.
- o Jeżeli uszczelka nie przylega prawidłowo, to należy:

1. Użyć ciepłej, wilgotnej ściereczki, aby skorygować uszczelkę, aż będzie prawidłowo przylegać do szafki na całym obwodzie drzwi.

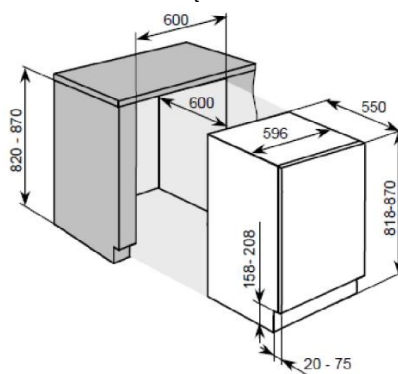
Albo

2. Użyć suszarki do włosów na najniższym ustawieniu grzania i lekko ogrzać miejsca uszczelki drzwiowej, które nie przylegają prawidłowo. Ciepło sprawi, że uszczelka będzie bardziej elastyczna, co pozwoli ustawić uszczelkę we właściwym położeniu.

**WAŻNE: NIE PODGRZEWAĆ USZCZELKI DRZWI NA ŻADNYM INNYM JAK TYLKO NA NAJNIŻSZYM USTAWIENIU TEMPERATURY, ANI NIE PODGRZEWAĆ USZCZELKĘ PRZEZ DŁUŻSZY CZAS. W PRZECIWNYM RAZIE MOŻE DOJŚĆ DO USZKODZENIA USZCZELKI DRZWIOWEJ, KTÓRE NIE ZOSTANIE BEZPŁATNIE NAPRAWIONE W RAMACH GWARANCJI.**

#### Wymiary otworu

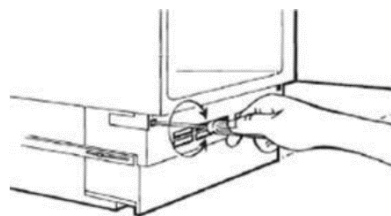
Na poniższym schemacie pokazano wielkość otworu, która będzie potrzebna do zainstalowania urządzenia.



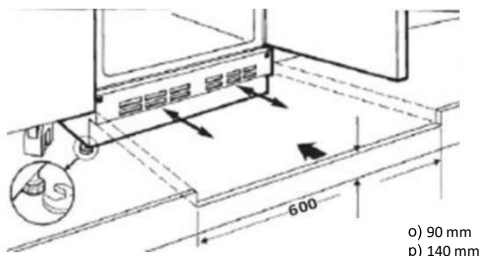
- o Urządzenie należy ustawić na poziomej podłodze. Za pomocą nóżek poziomujących można skompensować niewielkie nierówności w podłodze.

#### Regulacja cokołu

Po umieszczeniu urządzenia pod blatem można zdecydować się na dołączenie cokołu w celu dopasowania do istniejących szafek kuchennych.



- o Wymontować kratkę z podstawy urządzenia przez odkręcenie wkrętów po każdej stronie kratki i wyciągnięciem kratki.



- o Użyć klucza płaskiego, aby wyregulować wysokość nóg.
- o Jeżeli wnęka na urządzenie ma wysokość 820 mm, to regulowane nóżki powinny być całkowicie wkręcone.
- o Jeżeli wnęka na urządzenie ma wysokość 870 mm, to regulowane nóżki powinny być ustawione na wysokość 50 mm.
- o Urządzenie powinno być ustawione równo z blatem i wypoziomowane. **WAŻNE:** Jeżeli urządzenie nie będzie wypoziomowane, może to mieć wpływ na drzwi i uszczelkę.
- o W cokole należy wykonać wycięcie wentylacyjne. Wycięcie powinno mieć 600 mm szerokości oraz od 140 do 90 mm wysokości, w zależności od ustawionej wysokości.
- o Wstawić cokół, a następnie założyć kratkę na miejsce, aby przytrzymała cokół.

**WAŻNE:** Należy pamiętać, że jak pokazano na powyższym rysunku, w cokole mebla **MUSI** zostać wykonane wycięcie wentylacyjne o odpowiednich wymiarach.

#### Mocowanie drzwi meblowych do urządzenia

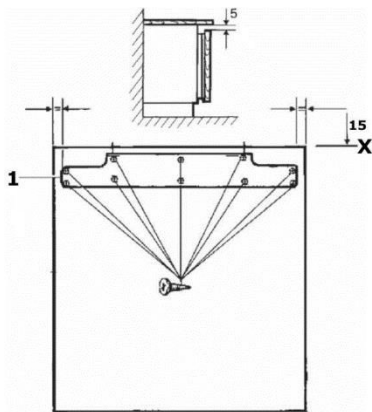
Jeżeli drzwi urządzenia mają się otwierać w drugą stronę, należy odwrócić drzwi przed rozpoczęciem procesu montażu. (Zob. punkt „odwracanie kierunku otwierania drzwi”).

Potrzebne narzędzia:

- o Miara taśmowa
- o Ostry ołówek
- o Małe, płaskie ostrze
- o Klucz płaski

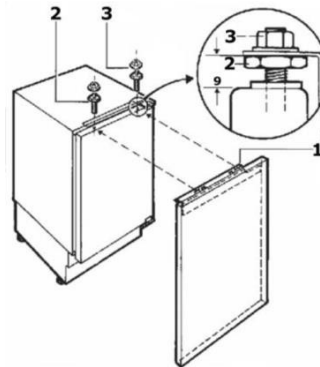
**WAŻNE:** Zalecamy, aby w montażu urządzenia brały udział dwie osoby.

1. Odkręcić wkręty z dwóch śrub regulacyjnych, które znajdują się w górnej części drzwi urządzenia, a następnie wymontować wspornik montażowy (1).

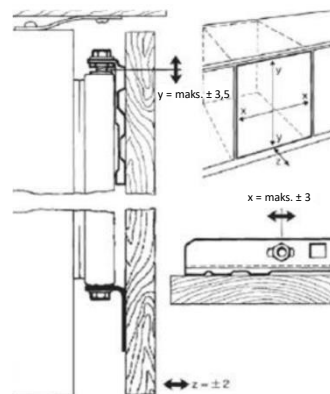


2. Zmierzyć szerokość drzwi meblowych. W połowie szerokości zaznaczyć pionową linię na wewnętrznej powierzchni drzwiczek meblowych. Należy narysować linię od góry drzwiczek meblowych do około połowy drzwiczek w dół.

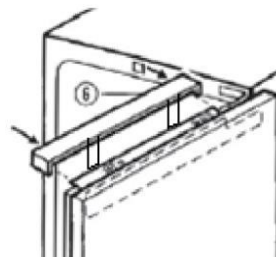
- o Założyć wspornik montażowy (1) po odwrotnej stronie drzwiczek meblowych.
- o Środek wspornika montażowego należy ustawić na narysowanej linii. Należy zwrócić uwagę na położenie wspornika montażowego na powyższym rysunku, aby zapewnić, że wspornik montażowy będzie skierowany prawidłową stroną w górę.
- o Górny wspornik montażowy powinien być ustawiony około 15 mm od górnej części drzwiczek meblowych. Pozwoli to zachować 5 mm odstęp od górnej części drzwiczek meblowych do spodu blatu.
- o Zamocować wspornik montażowy do drzwi meblowych za pomocą dostarczonych wkrętów i wkrętaka krzyżakowego. Wkręty należy do końca dokręcić.



3. Zawiesić drzwi meblowe na drzwiach urządzenia, dbając o to, aby wsporniki na wsporniku montażowym znalazły się nad śrubami regulacyjnymi.



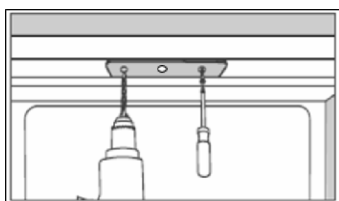
4. Użyć wkrętaka, aby wyregulować odstęp w dolnej części śrub regulacyjnych. Odstęp należy ustawić na około 9 mm (jak



- pokazano na powyższym rysunku).
5. Przymocować dolny wspornik do dolnej części drzwiczek meblowych i pod drzwiami urządzenia (jak pokazano na rysunku na poprzedniej stronie).

- o Za pomocą wkrętów u góry i u dołu drzwi urządzenia można dokonać niewielkich korekt położenia drzwiczek meblowych. Celem regulacji jest wypoziomowanie drzwiczek meblowych.

6. Nałożyć pokrywę na górną część urządzenia – zaskoczy ona na miejsce.



7. Otworzyć drzwi urządzenia.

- o Użyć wiertła o odpowiednim rozmiarze, aby wywiercić otwory we wsporniku do blatu. **WAŻNE:** Wiertło powinno być odpowiednie do materiału, z którego jest wykonany blat.
- o Przymocować wspornik do spodu blatu za pomocą dostarczonych wkrętów. **WAŻNE:** Wkręty należy do końca dokręcić.
- o Jeżeli urządzenie jest instalowane pod blatem granitowym, należy użyć wsporników w kształcie litery L, aby przymocować lodówkę do boku szafki. Użyć wiertła o odpowiednim rozmiarze, aby wywiercić otwory we wsporniku do boku szafki, po przeciwnej stronie zawiasów.
- o Owalne otwory znajdują się nad nieużywany pozycjami zawiasów z przodu urządzenia. Użyć wkrętów, aby przymocować wspornik z przodu urządzenia. Sprawdzić, czy drzwi otwierają się i zamykają bez przeszkód, a także czy drzwi zamykają się szczelnie.

#### USUWANIE USTEREK

**WAŻNE:** Jeśli zamrażarka wydaje się nie działać prawidłowo, przed skontaktowaniem się z Działem Obsługi Klienta należy sprawdzić poniższą listę kontrolną.

#### Zamrażarka nie działa/brak zasilania urządzenia.

- o Sprawdzić, czy wtyczka jest całkowicie włożona do gniazda zasilania.
- o Sprawdzić, czy w sieci zasilającej jest napięcie (np. czy nie doszło do zaniku zasilania lub czy bezpiecznik nie uległ uszkodzeniu).
- o Sprawdzić, czy termostat wewnątrz urządzenia nie został wyłączony.
- o Sprawdzić, czy napięcie zasilania sieciowego odpowiada napięciu podanemu na tabliczce znamionowej urządzenia.

Lodówka wydaje się źle działać.

- o Sprawdzić, czy urządzenie nie jest przeciążone i czy nie upakowano w nim zbyt ciasno żywności.
- o Ustawienie termostatu jest zbyt niskie; należy wybrać wyższe ustawienie.
- o Upewnić się, że drzwi zamykają się prawidłowo i nie pozostawały przez omyłkę dłuższy czas otwarte.
- o Zapewnić odpowiednią wentylację urządzenia.

Lodówka działa hałaśliwie

- o Czynniki chłodnicze, który krąży w przewodach urządzenia, może emitować nieznaczne dźwięki, nawet jeśli sprężarka nie pracuje.
- o Jeśli hałas się pogarsza lub urządzenie staje się głośniejsze niż normalnie; sprawdzić, czy jest prawidłowo wypoziomowane, czy nic nie dotyka tylnej części lodówki i czy nic wewnątrz urządzenia nie wpada w wibracje.

Lód szybko uformował się na wewnętrznej tylnej ścianie zamrażarki

- o Sprawdzić, czy żywność nie została wciśnięta zbyt głęboko do wnętrza urządzenia i nie ma kontaktu z wewnętrzną tylną ścianą.

**NIE WOLNO PODEJMOWAĆ PRÓB SAMODZIELNEJ NAPRAWY URZĄDZENIA.**

Należy pamiętać, że jeśli technik zostanie poproszony o pomoc w czasie, gdy produkt jest objęty gwarancją i stwierdzi, że problem nie jest wynikiem usterki urządzenia, wówczas

użytkownik może zostać obciążony kosztem wezwania.

**Obejmuje to sytuacje, w których urządzenia zostały wyłożone kafelkami, uszczelnione szczeliwem, a przed urządzeniem znajdują się drewniane przeszkody, takie jak cokoły. Lub jakkolwiek instalacja inna niż określona przez Baumatic Ltd. została zakończona.**

Prosimy zapoznać się z warunkami gwarancji zawartymi w karcie gwarancyjnej, którą otrzymali Państwo wraz z urządzeniem.

#### DOSTĘPNOŚĆ CZĘŚCI ZAMIENNYCH

Termostaty, czujniki temperatury, płytki obwodów drukowanych przez okres co najmniej siedmiu lat od wprowadzenia do obrotu ostatniego egzemplarza danego modelu

klamki, zawiasy do drzwi, tace i koszyki przez okres co najmniej siedmiu lat oraz uszczelki drzwiowe przez okres co najmniej 10 lat od wprowadzenia do obrotu ostatniego egzemplarza danego modelu

#### POMOC TECHNICZNA

Aby skontaktować się z pomocą techniczną, odwiedź naszą stronę internetową:

<https://corporate.haier-europe.com/en/> . W sekcji „website” wybierz markę swojego produktu i swój kraj. Zostaniesz przekierowany na konkretną stronę internetową, na której znajdziesz numer telefonu i formularz do kontaktu z pomocą techniczną

Więcej informacji na temat produktu można znaleźć na stronie

<https://eprel.ec.europa.eu/> lub zeskanować QR na etykiecie energetycznej dostarczonej z urządzeniem

## Czech

Děkujeme vám za zakoupení tohoto výrobku.

Před použitím chladničky si pozorně přečtěte tento návod k použití, abyste mohli maximálně využít jejich možností. Uchovejte veškerou dokumentaci pro pozdější použití nebo pro další majitele. Tento výrobek je určen výhradně pro použití v domácnosti nebo podobná využití, jako jsou:

- kuchyňské kouty pro zaměstnance v obchodech, kancelářích a na dalších pracovištích,
- statky, hotely, motely a další ubytovací zařízení,
- v ubytovacích zařízeních typu B&B (ubytování se snídaní),
- pro stravovací služby a podobná využití nikoli pro maloobchodní prodej.

Tento spotřebič se smí používat pouze pro účely skladování potravin, přičemž jakékoli jiné použití je považováno za nebezpečné a výrobce nenese odpovědnost za případné nedodržení pokynů. Doporučujeme vám také, abyste se seznámili se záručními podmínkami.

## BEZPEČNOSTNÍ INFORMACE

Pozorně si přečtěte pokyny pro provoz a instalaci! Obsahují důležité informace o tom, jak instalovat, používat a udržovat spotřebič.

Jestliže nedodržíte pokyny a varování, výrobce neponese odpovědnost. Uchovávejte všechny dokumenty pro následné použití nebo pro nového vlastníka

- **Nepřipojujte spotřebič k elektrickému napájení, dokud nebudou odstraněny všechny obaly a chrániče pro přepravu. Uchovávejte obalový materiál a jeho součásti mimo dosah dětí. Hrozí nebezpečí udušení skládacími krabicemi a plastovou fólií!**
- **Před zapnutím nechte stát nejméně 4 hodiny, aby se kompresorový olej mohl usadit, pokud byla přeprava prováděna v horizontální poloze.**
- **Při dodání zkontrolujte, zda produkt není poškozen a že všechny součásti a příslušenství jsou v dokonalém stavu.**
- **Nesmí dojít k poškození chladicího okruhu.**

- **Větrací otvory ve skříni spotřebiče nebo ve vestavné konstrukci musí zůstat volné.**
- **Nikdy nepoužívejte vodu k mytí polohy kompresoru, po očištění jej důkladně otřete suchým hadříkem, abyste zabránili korozi.**
- **Se spotřebičem vždy manipulujte alespoň ve dvou osobách, protože je těžký**
- **Nainstalujte spotřebič na místo odpovídající jeho velikost a používání a vyrovnajte ho**
- **Ujistěte se, že parametry elektrického napájení se shodují s údaji na typovém štítku. V opačném případě kontaktujte elektrikáře**
- **Spotřebič pracuje s napájením 220 – 240 VAC/50 Hz. Nenormální kolísání napětí může způsobit, že spotřebič se nespustí, nebo se poškodí regulátor teploty či kompresor, případně se může za chodu ozývat neobvyklý hluk. V takovém případě by se měl nainstalovat automatický regulátor**
- **Pouze pro Spojené království: Napájecí kabel spotřebiče je vybaven trojpólovou zástrčkou (s uzemněním), která se zapojuje do standardní trojpólové zásuvky (s uzemněním). Nikdy neodřezávejte ani nedemontujte třetí kolík (uzemnění). Zástrčka by měla být přístupná po instalaci spotřebiče**
- **Dbejte na to, aby během přepravy a po přepravě /přemístování spotřebiče nebyl síťový kabel zachycen pod spotřebičem, aby nedošlo k přeseknutí nebo poškození síťového kabelu. Pokud je napájecí kabel poškozen, musí být vyměněn výrobcem, jeho servisním technikem**

nebo podobně kvalifikovanou osobou, aby se zabránilo nebezpečí.

- Neumisťujte spotřebič ve vlhkém, mastném nebo prašném prostředí, ani jej nevystavujte přímému slunečnímu záření a působení vody.
- Neumisťujte spotřebič do blízkosti topných těles nebo hořlavých materiálů.
- PRO spotřebiče s mrazákem: pokud dojde k výpadku napájení, neotevírejte víko. Jestliže trvá výpadek méně hodin, než je uvedeno na typovém štítku (Doba vzrůstu teploty), nemělo by to ovlivnit zmrazené potraviny. Jestliže trvá výpadek déle, je nutné potraviny zkontrolovat a okamžitě zkonzumovat, nebo uvařit a potom opět zmrazit
- Pokud zjistíte, že víko spotřebiče se ihned po zavření obtížně otvírá, nemějte obavy. Je to způsobeno rozdílem tlaku, který se vyrovná a za několik minut budete moci víko normálně otevřít
- Ve spotřebiči neskladujte léky, bakterie ani chemické látky. Tento spotřebič je určen k použití v domácnosti, nedoporučuje se v něm skladovat materiály, které vyžadují přesně stanovené teploty
- Netahejte silou za přívodní kabel ani jej neskládejte a nedotýkejte se zástrčky mokřýma rukama.

- Ve spotřebiči neskladujte látky obsahující hořlavý hnací plyn (např. aerosolové nádoby) nebo výbušné látky. Hrozí nebezpečí výbuchu!
- Nepokládejte na horní stranu chladničky nestabilní předměty (těžké předměty, nádoby naplněné vodou), aby se předešlo zranění způsobenému pádem nebo elektrickým proudem v důsledku styku s vodou
- Nepoužívejte elektrické spotřebiče uvnitř úložných oddílů pro potraviny ve spotřebiči, pokud nejsou tyto typy přímo doporučeny výrobcem.
- Nedotýkejte se vnitřních chladicích prvků, zejména mokřýma rukama, aby nedošlo k prasknutí nebo zranění.
- Nebezpečí hrozí dětem, osobám s omezenými fyzickými, smyslovými nebo duševními schopnostmi, stejně jako osobám s nedostatečnými znalostmi o bezpečném používání spotřebiče. Zkontrolujte, zda děti a ohrožené osoby chápou nebezpečí. Osoba zodpovědná za bezpečnost musí dohlížet na děti a ohrožené osoby používající spotřebič, nebo je musí poučit. Spotřebič mohou používat pouze děti starší osmi let"
- Děti si se spotřebičem nesmějí hrát.
- Děti ve věku od 3 do 8 let mohou do tohoto spotřebiče vkládat a vyjímat z něj věci.
- PRO spotřebiče s mrazákem: neukládejte do mrazáku tekutiny v láhvích nebo plechovkách (zejména nápoje sycené oxidem uhličitým). Láhve a plechovky mohou prasknout!
- PRO spotřebiče s mrazákem: nikdy nevkláděte do úst zmrazené

potraviny přímo z mrazáku. Hrozí nebezpečí vzniku omrzlin!

- **Chraňte plastové součásti a těsnění dveří před olejem a tukem. Jinak by se na plastových součástech a těsnění dveří mohly vytvořit póry**
- **Před provedením jakéhokoli úkonu odpojte napájecí kabel ze zásuvky.**
- **Nepoužívejte mechanické nástroje nebo jiné prostředky k urychlení procesu odmrazování, pokud nejsou doporučeny výrobcem.**
- **K odstranění námrazy nepoužívejte špičaté nebo ostré předměty, jako jsou nože nebo vidličky. K odmrazování nikdy nepoužívejte vysoušeče vlasů, elektrické ohříváče nebo jiné podobné elektrické spotřebiče.**
- **Doporučuje se udržovat zástrčku v čistotě, neboť nadměrný nános prachu na zástrčce může být příčinou požáru.**
- **Nepokoušejte se opravovat, rozebírat nebo upravovat spotřebič vlastními silami. Je-li nutná oprava, vždy se obraťte na náš zákaznický servis.**
- **Během čištění nebo údržby spotřebiče dohlížejte na děti.**
- **Nečistěte chladné skleněné police horkou vodou. Náhlá změna teploty by mohla způsobit, že sklo praskne.**
- **VAROVÁNÍ: V trubicích chladicího okruhu proudí malé množství chladiva (R600a) a izolačního plynu (cyklopentanu); tyto látky jsou š**

etrné k životnímu prostředí, ale hořlavé. Nepoškozují ozónovou vrstvu a nezvyšují účinky skleníkového efektu. Pokud chladivo unikne, mohlo by vám poškodit zrak, nebo by se mohlo vznítit.

- **Pokud dojde k poškození okruhu chladiva:**
  - **Vypněte spotřebič a vytáhněte zástrčku ze zásuvky.**
  - **Nepřibližujte se ke spotřebiči s otevřeným plamenem a/nebo zdroji vznícení.**
  - **Důkladně vyvětrejte místnost, větrejte několik minut.**
  - **Informujte zákaznický servis.**
- **VAROVÁNÍ: Nepoškozujte zástrčku a/nebo napájecí kabel; mohlo by to způsobit úraz elektrickým proudem nebo požár.**
- **VAROVÁNÍ: Nepoužívejte přenosné rozbočovací zásuvky ani přenosné zdroje napájení. Nedoporučujeme používat prodlužovací kabely ani rozbočovací adaptéry.**
- **Nepokoušejte se sedat si nebo stoupat na horní stranu spotřebiče. Mohli byste se zranit nebo poškodit spotřebič. Spotřebič není konstruován pro umístění na jiné spotřebiče.**
- **Produkt je navržen a vyroben pouze pro domácí použití v domácnosti.**
- **Lze používat pouze originální náhradní díly dodané výrobcem. Výrobce zaručuje, že pouze takové díly splňují bezpečnostní požadavky.**
- **Otevírání dveří na dlouhou dobu může v oddílech spotřebiče způsobit výrazné zvýšení teploty**



- Pravidelně čistěte povrchy, které mohou přijít do styku s potravinami, a přístupné odvodňovací systémy
- Vyčistěte nádržky na vodu, pokud nebyly použity po dobu 48 hodin; pokud voda nebyla odebrána po dobu 5 dnů, propláchněte vodní systém připojený k přívodu vody
- Syrové maso a ryby skladujte ve vhodných nádobách v chladničce tak, aby nepřicházely do kontaktu s jinými potravinami nebo aby z nich nekapalo na jiné potraviny
- Dvouhvězdičkové oddíly pro zmrazené potraviny (pokud se ve spotřebiči nacházejí) jsou vhodné pro skladování předem zmrazených potravin, skladování nebo výrobu zmrzliny a výrobu kostek ledu
- Jedno-, dvou- a tříhvězdičkové oddíly (pokud se ve spotřebiči nacházejí) nejsou vhodné pro zmrazování čerstvých potravin
- Pokud necháváte spotřebič dlouhou dobu prázdný, vypněte jej, odmrazte, vyčistěte, vysušte a nechte dveře otevřené, aby se zabránilo tvorbě plísní uvnitř spotřebiče
- U spotřebičů pro uchovávání vína: Tento spotřebič je určen výhradně k uchovávání vína
- U volně stojícího spotřebiče: Tento chladicí spotřebič není určen k vestavění
- U spotřebičů bez prostoru označeného čtyřmi hvězdičkami:

## Tento chladicí spotřebič není vhodný pro mražení potravin

### Likvidace starých spotřebičů



Tento spotřebič je označen v souladu s evropskou směrnicí 2012/19/EU o odpadních elektrických a elektronických zařízeních (WEEE).

Spotřebič podléhající WEEE obsahuje znečišťující látky (které mohou mít negativní dopad na životní prostředí) a základní součásti (které lze znovu použít). U spotřebiče podléhajícího WEEE je důležité nechat provést zvláštní zpracování, aby všechny znečišťující látky byly odstraněny a řádně zlikvidovány a aby všechny materiály byly obnoveny a zrecyklovány.

Jednotlivci mohou hrát důležitou roli při zajišťování toho, aby se spotřebič podléhající WEEE nestal zátěží pro životní prostředí. Je nezbytné dodržovat několik základních pravidel:

- Spotřebič podléhající WEEE se nesmí likvidovat jako domovní odpad;
- Spotřebič podléhající WEEE se musí předat na příslušné sběrné místo pod správou obce nebo autorizovaných společností. V mnoha zemích může být v případě velkých spotřebičů podléhajících WEEE k dispozici domovní sběr.

V mnoha zemích, když si zakoupíte nový spotřebič, můžete starý spotřebič vrátit prodejci, který jej musí přijmout zdarma na základě výměny kus za kus, pokud je zařízení stejného typu a má stejné funkce jako dodané zařízení.

### Shoda

Umístěním značky **CE** na tento produkt potvrzujeme shodu se všemi příslušnými evropskými požadavky na bezpečnost, zdraví a životní prostředí, které se uplatňují dle právních předpisů pro tento produkt.

### Záruka

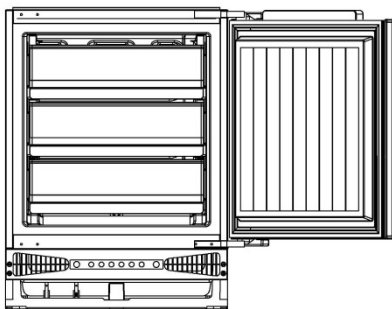
Minimální záruka je: 2 roky pro země EU, 3 roky pro Turecko, 1 rok pro Spojené království, 1 rok pro Rusko, 3 roky pro Švédsko, 2 roky pro Srbsko, 5 let pro Norsko, 1 rok pro Maroko, 6 měsíců pro Alžírsko, pro Tunisko není vyžadována žádná právní záruka.

### Úspora energie

Pro lepší úsporu energie doporučujeme:

- Instalujte spotřebič v dobře větrané místnosti, daleko od zdrojů tepla a nevystavujte jej přímému slunečnímu záření.
- Vyvarujte se vkládání horkých potravin do chladničky, abyste se vyhnuli nárůstu vnitřní teploty a s tím spojenému nepřetržitému chodu kompresoru.
- Neukládejte nadměrné množství potravin, aby bylo zajištěno dostatečné proudění vzduchu.
- Odmrazujte spotřebič v případě výskytu ledu, abyste usnadnili přenos chladu.
- V případě výpadku elektrické energie se doporučuje nechat dveře chladničky zavřené.
- Otevírejte nebo ponechávejte dveře spotřebiče otevřené v co nejmenším možném rozsahu.
- Vyvarujte se úpravě nastavení na příliš nízké teploty.
- Odstraňujte prach ze zadní části spotřebiče.

## POPIS SPOTŘEBIČE



### POZNÁMKA:

Obrázek je pouze informativní a může se lišit od vašeho výrobku.

Energeticky nejúspornější konfigurace vyžaduje, aby byly ve spotřebiči nainstalovány přihrádky, schránka na potraviny a police, viz obrázky výše.

### POUŽÍVÁNÍ CHLADNIČKY BEZ MRAŽÁKU

#### Před zapnutím

- o Ujistěte se, že byla nainstalována osobou s náležitou kvalifikací podle informací uvedených v pokynech pro instalaci výrobku.
- o Po dodání počkejte osm hodin, než připojíte spotřebič k síťovému napájení. Díky tomu se bude moci usadit veškeré plynné chladivo, které se mohlo rozptýlit během přepravy.
- o Vnější povrch spotřebiče a odnímatelné příslušenství uvnitř spotřebiče je třeba vyčistit roztokem tekutého mycího prostředku a vody.
- o Vnitřek spotřebiče by se měl vyčistit roztokem jedlé sody rozpuštěné ve vlažné vodě. Po vyčištění by se měl vnitřek včetně příslušenství důkladně vysušit.
- o Při prvním zapnutí spotřebiče se může objevit zápach. Až se spotřebič začne ochlazovat, zápach ustoupí.


#### Během prvního použití


- o Po dobu 24 hodin od prvního zapnutí spotřebiče byste měli nastavit ovladač termostatu na maximální hodnotu.
- o Když poprvé zapnete spotřebič, kompresor poběží nepřetržitě asi 24 hodin nebo do okamžiku, kdy chladnička dosáhne dostatečně nízké teploty.
- o Během této doby byste se neměli pokoušet často otvírat dveře ani vkládat do spotřebiče velké množství potravin.
- o Potom byste měli otočit ovladač termostatu na nižší hodnotu pro běžný provoz.
- o Pokud se spotřebič vypne nebo odpojí od napájení, musíte počkat alespoň 5 minut, než ho znovu zapnete termostatem nebo připojíte k síťovému napájení.

### PROVOZ

#### Zapnutí chladničky




K dispozici je celkem 6 nastavení teploty chladničky. Po připojení k napájecímu zdroji se chladnička nastaví na nastavení 3, což je výchozí nastavení.

Tlačítko „“: nachází se na pravé straně a při stisknutí na 3 s zapíná/vypíná chladničku.

Tlačítko „“: nachází se na levé straně a slouží k nastavování teploty chladničky.



#### Nastavování teploty:

Teplota uvnitř chladničky se nastavuje stisknutím levého tlačítka „“.  
Stisknutím tlačítka se vybírají nastavení 1 až 5, která představují různé teploty od nejvyšší po nejnižší.  
„“ označuje funkci supermrazení. Funkci supermrazení vyberte stisknutím a podržením tlačítka „“.  
Po aktivaci se rozsvítí symbol SM. Supermrazení bude trvat 24 hodin, potom se automaticky vypne a obnoví se předchozí nastavení termostatu.

Poloha	Podmínky
1-2	Léto nebo okolní teplota v rozsahu 25-35 °C
3-4	Jaro, podzim nebo okolní teplota v rozsahu 15-25 °C
4-5	Zima nebo okolní teplota v rozsahu 5-15 °C
Funkcja super zamrażania	Szybkie zamrażanie

**Upozornění:** Při nastavování teploty potřebuje chladnička určitou dobu k dosažení nastavené úrovně. Délka této doby je určována rozdílem mezi stávající a nastavenou teplotou, okolní teplotou, četností otvírání a zavírání dveří a množstvím uložených potravin.

#### Prostor mrazáku

- o Než přistoupíte k uložení již zmrazených potravin nebo ke zmrazení čerstvých potravin, prostor mrazáku již musí mít teplotu -18 stupňů Celsia (nebo nižší).
- o Prostor mrazáku je schopen najednou zmrazit pouze určité množství potravin. Neměli byste se pokoušet zmrazit více než 4,5 kg čerstvých potravin během 24hodinového intervalu.
- o Teplé potraviny byste měli nechat vychladnout, než je uložíte ke zmrazení. Pokud vložíte do mrazáku teplé potraviny, zvýšení vlhkosti způsobí rychlejší vznik ledu a zvýší množství energie využívané spotřebičem.
- o Pokud jde o maximální dobu skladování, měli byste se řídit pokyny výrobce potravin.
- o Rozmrazené potraviny se nesmí podruhé zmrazovat.
- o Neotvírejte dveře mrazáku příliš často, ani je nenechávejte dlouho otevřené, protože tím by se zvýšila teplota uvnitř spotřebiče a spotřeba energie.

Umísťujte různé potraviny do různých oddílů podle níže uvedené tabulky

Prostory chladničky	Typ jídla
Zásuvka/zásobník mrazničky	<ul style="list-style-type: none"><li>• Potraviny pro dlouhodobé skladování.</li><li>• Spodní zásuvka na syrové maso, drůbež, ryby.</li><li>• Prostřední zásuvka na mraženou zeleninu, hranolky.</li><li>• Horní podnos na zmrzlinu, mražené ovoce, mražené pečivo.</li></ul>

#### Tipy pro zmrazování

- o Vhodnými obaly pro skladování zmrazeného zboží jsou sáčky do mrazáku,

polyetylenové fólie, hliníkové fólie (mimořádně silné) a speciální plechovky pro mražené potraviny.

- o K uzavírání sáčků a fólií se hodí páska, gumičky nebo plastové sponky.
- o Před uzavřením vhodného sáčku byste z něho měli vytlačit vzduch, podpoříte tím snazší zmrazení.
- o Plochá balení se zmrazují snáze.
- o Pokud zmrazujete tekutinu, neplňte nádobu až po okraj. Tekutiny se během zmrazování rozpínají.
- o Pokud jde o zmražené potraviny, podívejte se na dobu skladování uvedenou na obalu potravin. Tato doba skladování je dosažena vždy, když nastavení respektuje referenční teploty oddílů (jednohvězdičkový -6°C, dvouhvězdičkový -12°C, tříhvězdičkový -18°C).

**Nevkládejte do mrazáku láhve (skleněné ani plechové) obsahující tekutiny (zejména šumivé), protože láhev by se během zmrazování mohla roztrhnout.**

#### Výroba ledových kostek

- o Naplňte plato na ledové kostky vodou a vložte ho do prostoru mrazáku.
- o Až voda úplně zmrzne a změní se v led, můžete led vyjmout zkroucením plata na ledové kostky (jak je znázorněno na obrázku níže).

#### ŠETŘENÍ ENERGÍÍ PŘI POUŽÍVÁNÍ CHLADNIČKY

##### Instalace:

- o Nainstalujte spotřebič na chladné místo. Pokud se umístí na přímé sluneční světlo nebo vedle trouby či jiného zdroje tepla, může se podstatně zvýšit spotřeba energie.
- o Zajistěte, aby instalace spotřebiče splňovala požadavky na větrání. Omezené větrání může zvýšit spotřebu energie o 15 %.

##### Čištění a údržba:

- o Občas vyčistěte spirály kondenzátoru na zadní straně spotřebiče (pokud tam jsou), aby zůstal zachován vysoký výkon.
- o Pravidelně odmrazujte spotřebič. Silná námraza snižuje účinnost spotřebiče. Měli byste odmrazovat vždy, když tloušťka námrazy dosáhne 5 mm.
- o Těsnění dveří čistěte teplou vodou nebo neutrálním mycím prostředkem, který nezanechává žádné zbytky. Těsnění přiléhající těsnění dveří má zásadní význam pro účinnost spotřebiče.

##### Používání:

- o Neotvírejte dveře opakovaně nebo častěji, než je zapotřebí.
- o Nenastavujte termostat na příliš nízkou hodnotu. Změna o pouhý jeden stupeň může ovlivnit spotřebu energie o 5 %. Kontrolujte teplotu pomocí teploměru.
- o Mrazák by měl pracovat s teplotou -15 až -18 stupňů Celsia.
- o Než vložíte potraviny do spotřebiče, nechte je dostatečně vychladnout (ale nenechávejte je příliš dlouho v prostředí s pokojovou teplotou).
- o Zabalené potraviny v mrazáku by měly být rozmístěny v prostoru a nikdy by se neměly seskupovat nebo skládat na sebe, dokud se úplně nezmráží.
- o Pokud odjízďte na delší dobu, vypněte spotřebič, vyprázdněte a vyčistěte ho a nechte dveře pootevřené.
- o Pokud máte druhý spotřebič, který se nepoužívá, ujistěte se, že je uložen s vypnutým napájením a

pootevřenými dveřmi do doby, než ho bude skutečně zapotřebí.

##### Likvidace:

- o Pokud se chystáte vyhodit starou chladničku, zjistěte, zda je ve vaší oblasti nějaké zařízení na recyklaci freonů (CFC). Možná vám bude moci pomoci odbor státní správy, který má na starosti ochranu životního prostředí ve vaší oblasti.

#### ČIŠTĚNÍ A ÚDRŽBA

**VAROVÁNÍ: NEŽ PŘISTOUPÍTE K ČIŠTĚNÍ SPOTŘEBIČE, UJISTĚTE SE, ŽE JE ODPOJEN OD SÍŤOVÉHO NAPÁJENÍ.**

- o Nečistěte spotřebič tak, že ho polijete nebo postříkáte vodou.
- o Mrazák by se měl pravidelně čistit roztokem jedlé sody ve vlažné vodě. Příslušenství čistěte odděleně mýdlem a vodou. Nemyjte jej v myčce.
- o Nepoužívejte abrazivní výrobky, prostředky ani mýdla.
- o Až umyjete spotřebič, otřete vlhkou látkou plochu, kterou jste vyčistili, a potom ji nechte důkladně uschnout.
- o Po dokončení čištění si osušte ruce a potom zapojte zástrčku do síťové zásuvky.

##### Odmrazování prostoru mrazáku

Měla by se pravidelně odstraňovat námraza v prostoru mrazáku. Ke ztenčování vrstvy námrazy můžete použít plastovou škrabku.

**DŮLEŽITÉ: Mrazák by se měl odmrazovat alespoň dvakrát ročně. Potřebný počet odmrazování bude záviset na nastavení termostatu a na množství potravin, které zmrazujete a skladujete v mrazáku.**

- o Den před odmrazováním otočte ovladač termostatu do polohy <5>, tím zajistíte, že potraviny uvnitř chladničky budou řádně zmrazené.
- o Během odmrazování spotřebiče by se měly potraviny vyjmout z mrazáku, zabalit do několika vrstev papíru a uložit na chladném místě. Zvýšením teploty potravin se zkrátí jejich skladovatelnost, proto by se měly spotřebovat v poměrně krátké době.

**JAKMILE SE ZAČNOU POTRAVINY ROZMRAZOVAT, NEVKLÁDEJTE JE ZPĚT DO MRAZÁKU.**

- o Nastavte ovladač termostatu do polohy <0> a odpojte spotřebič od síťového napájení.
- o Nechte dveře mrazáku otevřené. Můžete do mrazáku umístit mísu s teplou vodou, abyste urychlili odmrazování.
- o Vodu z odmrazování, která bude stékat do zadní části mrazáku, můžete vytřít houbou.

**DŮLEŽITÉ: Na podlahu bezprostředně před spotřebičem byste měli položit nějaké staré utěrky pro případ, že voda z odmrazování vyteče z ven mrazáku na podlahu.**

- o Jakmile roztaje veškerá námraza, vnitřek mrazáku by se měl důkladně vysušit. Jinak po opětovném zapnutí spotřebiče začne ihned vznikat námraza.
- o Suchými rukama znovu připojte spotřebič k síťovému napájení. Na 24 hodin nastavte ovladač termostatu do polohy <5>, než se vrátíte k normálnímu nastavení <3>.
- o Než uplyne tato 24hodinová doba, neměli byste se pokoušet zmrazovat čerstvé potraviny uvnitř mrazáku.

**Neodmrazujte spotřebiči jinými elektrickými spotřebiči (např. fénem). K odstraňování ledu z mrazáku nepoužívejte ostré kovové předměty, protože by to mohlo způsobit poškození systému chladiva.**

## INSTALACE

**DŮLEŽITÉ: Před instalací a použitím si přečtěte všechny pokyny a ujistěte se, že napětí (V) a frekvence (Hz) uvedené na typovém štítku přesně odpovídají napětí a frekvenci ve vaší domácnosti. Typový štítek se nachází na předním levém okraji uvnitř chladničky.**

Výrobce odmítá veškerou odpovědnost v případě, že instalační technik nedodrží všechny platné předpisy o předcházení nehodám, které jsou nutné k normálnímu používání a běžnému provozu elektrického systému.

### Elektrické zapojení

#### MRAZÁK JE URČEN K VESTAVNÉ A TRVALÉ INSTALACI.

Doporučujeme, aby připojení spotřebiče provedl kvalifikovaný elektrikář, který je členem organizace NICEIC a bude se řídit předpisy IEE a místními předpisy.

- o Váš mrazák je při dodání vybaven 13A zástrčkou. Pokud budete muset v budoucnu vyměnit pojistku v této zástrčce, musí se použít 13A pojistka s osvědčením ASTA (BS 1362).
- o Vodiče v síťovém kabelu mají následující barvy:

**Hnědá** - fáze

**Modrá** - nulový vodič

**Zelenožlutá** – uzemnění

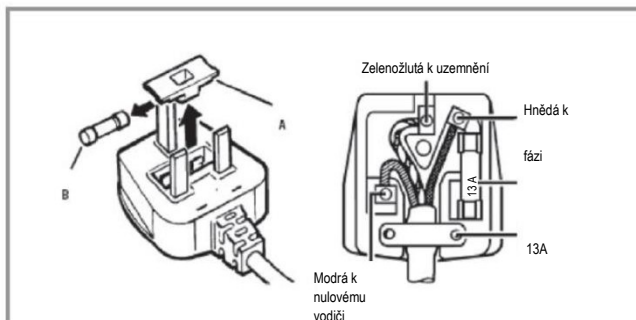
- o Vzhledem k tomu, že barvy vodičů v síťovém kabelu spotřebiče nemusí odpovídat barevnému značení svorek ve vaší rozvodné skříňce, postupujte takto:

**Hnědý vodič** se musí připojit ke svorce označené písmenem „L“ (fáze) nebo červenou barvou.

**Modrý vodič** se musí připojit ke svorce označené písmenem „N“ (nulový vodič) nebo černou barvou.

**Zelenožlutý vodič** se musí připojit ke svorce označené písmenem „E“ (uzemnění), symbolem uzemnění nebo zelenou a žlutou barvou.

- o Po dokončení zapojení nesmí na místě zůstat žádná volná vlákna nebo odštířené kusy vodičů. Na vnějším plášti musí být připevněna kabelová svorka.



### Umístění

- o Doporučuje se instalovat spotřebič pouze na takové místo, kde okolní

pokořová teplota odpovídá klimatické klasifikaci uvedené na typovém štítku vašeho spotřebiče. Kdyby byla okolní teplota vně následujících rozsahů, spotřebič by nemusel fungovat správně.

- Rozšířené mírné pásmo (SN): „Tento chladicí spotřebič je určen k používání při teplotách okolí od 10 °C do 32 °C.“
- Mírné pásmo (N): „Tento chladicí spotřebič je určen k používání při teplotách okolí od 16 °C do 32 °C.“
- Subtropické pásmo (ST): „Tento chladicí spotřebič je určen k používání při teplotách okolí od 16 °C do 38 °C.“
- Tropické pásmo (T): „Tento chladicí spotřebič je určen k používání při teplotách okolí od 16 °C do 43 °C.“

o Spotřebič by neměl být umístěn na přímém slunečním světle ani vystaven nepřetržitěmu teplu či extrémním teplotám (např. vedle radiátoru nebo kotle).

o Dveře by se měly otvírat úplně a volně.

o Spotřebič by měl být umístěn tak, abyste mohli snadno přistupovat k potravinám uloženým uvnitř.

o Měli byste zkontrolovat, zda je k dispozici elektrická zásuvka, která bude přístupná po instalaci spotřebiče.

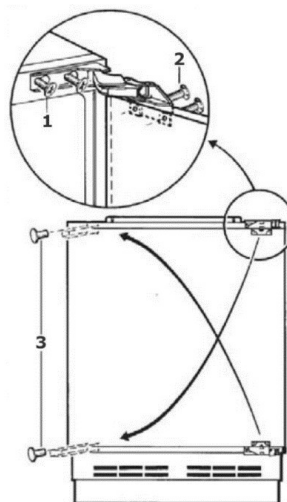
### Změna směru otvírání dveří spotřebiče

Tento postup se **MUSÍ** provést před připevněním nábytkových dveří. Veškeré součásti, které ze spotřebiče odstraníte během změny směru otvírání dveří, byste měli uschovat pro pozdější použití.

**VAROVÁNÍ – Při otvírání závěsů dávejte pozor, jsou pružinové a pokud se vám zavřou na ruce, hrozí nebezpečí poranění.**

Potřebné nářadí:

- o Křížový šroubovák
- o Plochý šroubovák



o Povolte přídržovací šrouby **(1)** na spotřebiči a potom opatrně odstraňte dveře spotřebiče.

o Položte dveře spotřebiče na polstrovaný povrch, aby se nepoškodily.

o Vypácte krytky **(3)**.

o Vložte přídržovací šrouby **(1)** do otvorů na opačné straně spotřebiče, než na které byly původně. Tyto šrouby by se měly částečně utáhnout, ne však úplně.

o Odstraňte přídržovací šrouby dveří **(2)** a potom zaměňte polohu horního a dolního závěsu (jak je znázorněno na nákrese výše).

o Připevněte dveře spotřebiče zpět a potom úplně dotáhněte přídržovací šrouby **(1)** a přídržovací šrouby dveří **(2)**.

o Vložte krytky **(3)** do otvorů, které jsou nyní odkryté na pravé straně skříňe.

**DŮLEŽITÉ:** Až dokončíte změnu směru otvírání, zkontrolujte, zda se dveře otvírají a zavírají správně a nic je neblokuje.

Po změně směru otvírání byste měli zkontrolovat těsnění dveří spotřebiče. Těsnění by nemělo být zvrásněné ani promáčknuté, jinak by vznikla mezera mezi ním a vnitřkem dveří.

- o Těsnění musí správně přiléhat po celém obvodu dveří.
- o Pokud těsnění správně nepřiléhá ke skříni, měli byste buď:
  1. pomocí látky navlhčené teplou vodou manipulovat s těsněním, dokud nebude po celém obvodu dveří správně přiléhat ke skříni;

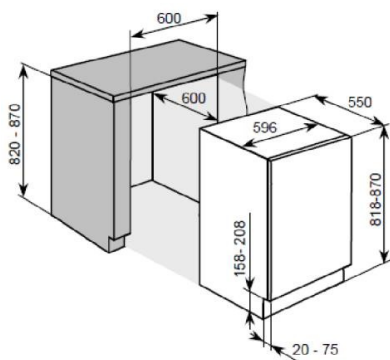
nebo

2. pomocí fény nastaveného na nejnižší teplotu lehce ohřát ta místa, ve kterých těsnění dveří správně nepřiléhá. Působením tepla se zvýší poddajnost těsnění, takže ho budete moci umístit do správné polohy.

**DŮLEŽITÉ: NEOHŘÍVEJTE TĚSNĚNÍ DVEŘÍ S NASTAVENÍM NA ŽÁDNOU JINOU NEŽ NEJNIŽŠÍ TEPLOTU, ANI HO NEOHŘÍVEJTE DELŠÍ DOBU. JINAK BY MOHLO DOJÍT K POŠKOZENÍ TĚSNĚNÍ DVEŘÍ, KTERÉ BY NEMOHLO BÝT BEZPLATNĚ OPRAVENO V RÁMCI ZÁRUKY.**

#### Rozměry otvoru

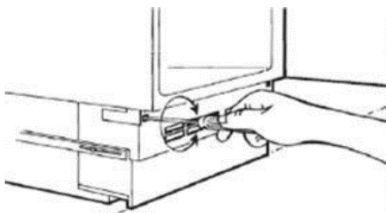
Následující náčrtek znázorňuje velikost otvoru, který bude zapotřebí k instalaci spotřebiče.



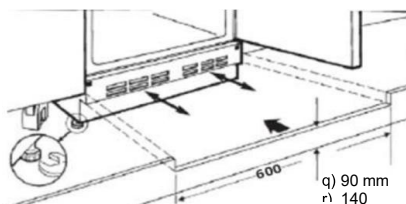
- o Spotřebič musí stát na vodorovné podlaze. Jakékoli menší nerovnosti můžete vyrovnat pomocí vyrovnávacích noh.

#### Úprava podstavce/spodní lišty

Až umístíte spotřebič pod pracovní desku, možná se rozhodnete připevnit podstavec nebo spodní lištu, která se hodí k vaší stávající kuchyňské lince.



- o Odstraňte mřížku na základně spotřebiče tak, že odšroubujete šrouby na obou stranách mřížky a potom ji vytáhnete směrem k sobě.



- o K nastavení výšky vyrovnávacích noh použijte maticový klíč.
- o Pokud má váš otvor výšku 820 mm, vyrovnávací nohy by měly být úplně zašroubované.
- o Pokud má váš otvor výšku 870 mm, vyrovnávací nohy by měly být nastavené na výšku 50 mm.
- o Spotřebič by měl být zarovnaný se spodní stranou pracovní plochy a měl by stát rovně. **DŮLEŽITÉ:** Pokud spotřebič nestojí rovně, může to ovlivňovat dveře a těsnění dveří.
- o V podstavci/spodní liště se musí vyříznout otvor pro větrání. Výřez by měl měřit 600 mm na šířku a mezi 140 mm a 90 mm na výšku podle toho, jakou jste nastavili výšku spotřebiče.
- o Vsaďte podstavec/spodní lištu a potom nainstalujte mřížku zpět do původní polohy, aby držela na místě.

**DŮLEŽITÉ: Pamatujte, že v podstavci/spodní liště linky se MUSÍ vyříznout větrací otvor o vhodných rozměrech, jak je znázorněno na následujícím nákresu.**

#### Instalace nábytkových dveří na spotřebič

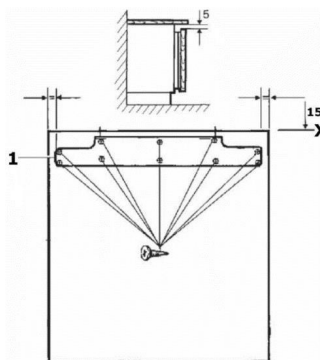
Pokud potřebujete, aby se dveře spotřebiče otvíraly z druhé strany, před zahájením instalace přemístěte dveře na druhou stranu. (Viz část „Změna směru otvírání dveří“.)

Potřebné nářadí:

- o Metr
- o Ostrá tužka
- o Malá plochá čepel
- o Maticový klíč

**DŮLEŽITÉ: Doporučujeme, aby instalaci tohoto spotřebiče prováděly dvě osoby.**

1. Odšroubujte šrouby ze dvou stavěcích šroubů na horní straně dveří spotřebiče a potom odstraňte montážní držák

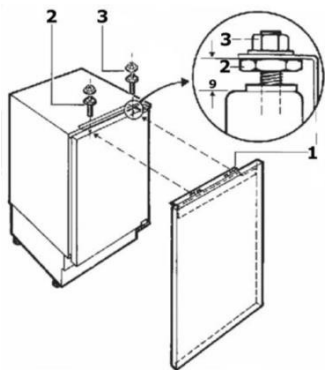


(1).

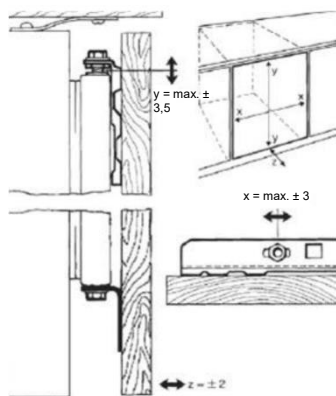
2. Změřte šířku nábytkových dveří a na jejich vnitřním povrchu vyznačte čáru vedoucí od středu svisle dolů. Měli byste nakreslit čáru dolů od horního okraje nábytkových dveří přibližně do poloviny.

- o Umístěte montážní držák (1) na zadní stranu nábytkových dveří.
- o Střed montážního držáku by se měl nacházet na právě nakreslené čáře. Všimněte si polohy montážního držáku na výše uvedeném nákresu, abyste se ujistili, že je umístěn správnou stranou nahoru.
- o Horní okraj montážního držáku by měl být umístěn přibližně 15 mm od horního okraje nábytkových dveří a spodní stranou pracovní desky.

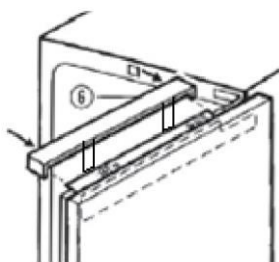
- o Pomocí dodaných šroubů a křížového šroubováku připevněte montážní držák k nábytkovým dveřím. Tyto šrouby by měly být úplně utažené.



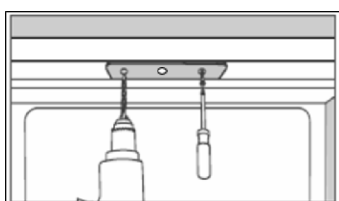
3. Zavěste nábytkové dveře na dveře spotřebiče a ujistěte se, že rozpěry na montážním držáku jsou nad stavěcími šrouby.



4. Šroubovákem nastavte mezeru na spodní části stavěcích šroubů. Mezera by se měla nastavit přibližně na 9 mm (jak je uvedeno na nákresu výše).
5. Připevněte dolní držák ke spodní části nábytkových dveří a pod dveře spotřebiče (jak je znázorněno na obrázku na předchozí straně).
- o Pomocí šroubů na horní a spodní straně dveří spotřebiče lze provádět menší úpravy polohy nábytkových dveří. Těmito úpravami byste měli dosáhnout toho, že nábytkové dveře budou vyrovnané.



6. Nasadte na horní stranu spotřebiče krycí desku tak, aby zapadla na místo.



7. Otevřete dveře spotřebiče.

- o Vrtákem vhodné velikosti provrtejte otvory skrz držák do pracovní desky. **DŮLEŽITÉ:** Měl by se použít vhodný vrták pro materiál, z něhož je vyrobena pracovní deska.
- o Pomocí dodaných šroubů připevněte držák ke spodní straně pracovní desky. **DŮLEŽITÉ:** Tyto šrouby by měly být úplně utažené.
- o Pokud se spotřebič instaluje pod žulovou pracovní desku, použijte dodané držáky ve tvaru písmene L, kterými připevníte chladničku k boční straně skříně. Vrtákem vhodné velikosti provrtejte tři otvory skrz držák do boční strany skříně na opačné straně, než jsou závěsy.
- o Oválné otvory se nacházejí nad místy závěsů na přední straně spotřebiče, které se nepoužívají. Dvěma šrouby připevněte držák k přední straně spotřebiče.

Zkontrolujte, zda se dveře otvírají a zavírají bez zadržování, a rovněž zkontrolujte, zda správně těsní.

### ŘEŠENÍ PROBLÉMŮ

**DŮLEŽITÉ:** Pokud se zdá, že mrazák nefunguje správně, projděte si níže uvedený kontrolní seznam, než se obrátíte na oddělení péče o zákazníky.

#### Zdá se, že mrazák nefunguje/spotřebič je bez napájení.

- o Zkontrolujte, zda je zástrčka úplně zasunutá v síťové zásuvce.
- o Zkontrolujte, zda máte funkční síťové napájení (např. zda nedošlo k výpadku napájení nebo se nespálila pojistka).
- o Zkontrolujte termostat uvnitř spotřebiče, zda nebyl otočen do polohy <0>.
- o Zkontrolujte, zda vaše síťové napětí odpovídá napětí uvedenému na typovém štítku spotřebiče.

Zdá se, že chladnička funguje nedostatečně.

- o Zkontrolujte spotřebič, zda není přeplněný a zda v něm nejsou uloženy potraviny příliš těsně vedle sebe.
- o Nastavení termostatu je příliš nízké; měli byste ho otočit na vyšší hodnotu.
- o Ujistěte se, že dvířka se správně zavírají a nebyla omylem ponechána delší dobu otevřená.
- o Ujistěte se, že spotřebič má náležitou větrání.

Chladnička je hlučná.

- o Plynné chladivo cirkulující potrubím spotřebiče může vytvářet mírný hluk, i když neběží kompresor.
- o Pokud se hluk zhoršuje nebo je spotřebič hlučnější než obvykle, zkontrolujte, zda je správně vyrovnaný, zda se nic nedotýká zadní strany chladničky a zda uvnitř není něco, co vydává drnění.

Na vnitřní straně zadní stěny mrazáku se rychle vytvořil led.

- o Zkontrolujte, zda nejsou potraviny uvnitř chladničky zatlačené příliš dozadu, takže jsou ve styku s vnitřní stranou zadní stěny.

**NEPOKOUŠEJTE SE OPRAVOVAT SPOTŘEBIČ VLASTNÍMI SILAMI.**

Vezměte na vědomí, že pokud požádáte o návštěvu technika, když je výrobek v záruce, a technik zjistí, že k problému nedošlo v důsledku závady spotřebiče, mohou vám být účtovány náklady na výjezd.

Je nutné zpřístupnit spotřebič technikovi, aby mohl provést veškeré potřebné opravy. Pokud je spotřebič nainstalován tak, že technik se obává poškození spotřebiče nebo kuchyně, oprava nebude provedena.

**To zahrnuje situace, v nichž jsou spotřebiče propojené, spojené těsnivem, nebo jsou před nimi dřevěné překážky, například podstavce.**

Viz záruční podmínky uvedené v záručním listu, který jste obdrželi se spotřebičem.

#### **DOSTUPNOST NÁHRADNÍCH DÍLŮ**

Termostaty, teplotní čidla, desky plošných spojů a zdroje světla, po dobu alespoň sedmi let poté, co byl na trh uveden poslední kus daného modelu;

Dveřní kliky, dveřní závěsy, přihrádky a koše po dobu alespoň sedmi let a těsnění dveří po dobu alespoň deseti let poté, co byl na trh uveden poslední kus daného model

#### **TECHNICKÁ POMOC**

Chcete-li kontaktovat technickou pomoc, navštivte naše webové stránky: <https://corporate.haier-europe.com/en/> . V sekci „websites“ vyberte značku vašeho produktu a vaši zemi. Budete přesměrováni na konkrétní webovou stránku, kde najdete telefonní číslo a formulář pro kontaktování technické pomoci

Další informace o produktu naleznete na adrese <https://eprel.ec.europa.eu/> nebo naskenujte QR na energetickém štítku dodaném se zařízením