

GB

IE

MT

**DETAILED  
INSTRUCTIONS**  
FOR USE OF ELECTRIC  
FREE STANDING  
COOKER

HDE3211BWUK  
HDE3211BBUK

**Hisense**

You'll soon be enjoying your new Freestanding Cooker

It all begins here, with your instructions. Don't worry, there's nothing too technical coming up. Just simple, step-by-step guidance to get you up and running quickly. Sound good? Then let's get started.

# Contents

---

## **Safety information**

SAFETY INFORMATION 4

## **Getting to know your Freestanding Cooker**

Overview 8

Accessories 9

## **Installing your Freestanding Cooker**

Installation requirements 10

Electrical connection 12

## **Using your Freestanding Cooker**

Control panel 14

Oven functions 15

General oven and cooking tips 18

Practical Cooking Advice 19

Using the ceramic cooking zones of your cooker 21

## **Care and maintenance**

Cleaning 22

Replacing the oven lamps 23

How to remove the oven doors 23

## **Technical Data**

Technical specification 25

Energy fiche 26

## **Product support**

Troubleshooting 27

Declaration of conformance to product standards 28

Disposal 28

# SAFETY INFORMATION

---

## **IMPORTANT**

Please read these instructions fully before installing or operating.

### **INSTALLATION WARNINGS**

**IMPORTANT:** Prior to Installation ensure that the local supply conditions (electricity voltage and frequency) are compatible with the requirements of your freestanding cooker.

**IMPORTANT:** Carefully unpack and examine the appliance for any damage. If you think there is a defect, do not use the appliance and contact product support. Packaging materials should be collected together and disposed of immediately as they may be harmful to children.

**IMPORTANT:** Keep the electrical cable (not supplied) of your freestanding cooker away from the hot areas of your appliance, do not let the cable touch the appliance. Keep the cable away from sharp edges and heated surfaces.

**IMPORTANT:** Ensure that the electric supply cable is not trapped or damaged during installation.

**IMPORTANT:** In the event that the cable connecting your freestanding cooker becomes damaged, it must be replaced by a suitably qualified person. This cable must not be replaced by an unauthorised person.

**IMPORTANT:** Protect your freestanding cooker against atmospheric effects. Do not expose your cooker to effects such as sun, rain, snow etc.

**IMPORTANT:** The materials surrounding the appliance (cabinets) must be able to withstand a minimum temperature of 100°C.

**IMPORTANT:** When using your oven for the first time your cooker may give off a smoke or an unusual odour from the heating elements and insulation materials. To eliminate this odour run the oven at 250 degrees for 40-60 minutes with the oven empty.

**WARNING:** Before obtaining access to terminals, all supply circuits must be disconnected.

**IMPORTANT:** Make sure the oven control knobs are all in the off position when not in use.

**IMPORTANT:** If you do not intend to use your built in oven for a long period of time then turn off the electric supply to the oven.

### **DURING USAGE**

**IMPORTANT:** This appliance can be used by children aged from 8 years and above and persons with reduced physical, sensory or mental capabilities or lack of

# SAFETY INFORMATION

---

experience and knowledge if they have been given supervision or instruction concerning use of the appliance in a safe way and understand the hazards involved. Children shall not play with the appliance. Cleaning and user maintenance shall not be made by children without supervision.

**WARNING:** The appliance and its accessible parts become hot during use. Care should be taken to avoid touching heating elements.

**WARNING:** NEVER try to extinguish a cooking fire with water. Instead switch off the appliance and cover flame e.g with a lid or a fire blanket.

**CAUTION:** Do not allow children in the kitchen when cooking or after, as the parts may still be hot. Many parts of the cooker will become hot and present a considerable hazard to children.

**CAUTION:** When the cooker is hot never touch the oven glass by hand or with tools.

**CAUTION:** Before starting to use your appliance, ensure curtains, paper or flammable items are kept away from your appliance. Do not keep flammable materials inside of or around your cooker.

**CAUTION:** Take care when closing the oven door that there is nothing obstructing it from closing as this may break the glass door.

**IMPORTANT:** When using the grill the oven door must be kept closed.

**IMPORTANT:** When the door of the oven is open, do not hang or lean anything on it. You may unbalance your appliance or damage the door or door hinges.

**IMPORTANT:** Do not hang towels, dishcloths or clothes from the built-in oven or its handles.

## GENERAL SAFETY WARNINGS

**IMPORTANT:** This appliance has been designed for non-professional, domestic use only. Do not use this oven for commercial use or any other application e.g room heating.

**WARNING:** Danger of fire: do not store flammable items on or near the cooking surfaces or inside the oven.

**IMPORTANT:** Do not try to lift or move this appliance by pulling on the door handle.

**WARNING:** Ensure that the appliance is switched off before replacing the lamp to avoid the possibility of electric shock.

**IMPORTANT:** Your appliance is produced in accordance with all applicable local and international standards and regulations.

**IMPORTANT:** Maintenance and repair work must only be performed by authorised service technicians. Installation and repair work that is carried out by unauthorised technicians is dangerous and could invalidate your guarantee.

# SAFETY INFORMATION

---

## GENERAL SAFETY WARNINGS

**IMPORTANT:** Always turn the appliance off before operations such as cleaning or maintenance. You can do this by switching the freestanding cooker off using the cooker isolation switch.

**IMPORTANT:** Do not remove the control knobs to clean the control panel.

**WARNING:** Do not use harsh abrasive cleaners or sharp metal scrapers to clean the oven door glass since they can scratch the surface, which may result in shattering of the glass.

# Getting to know your Freestanding Cooker

---

## **Ready? Let's begin...**

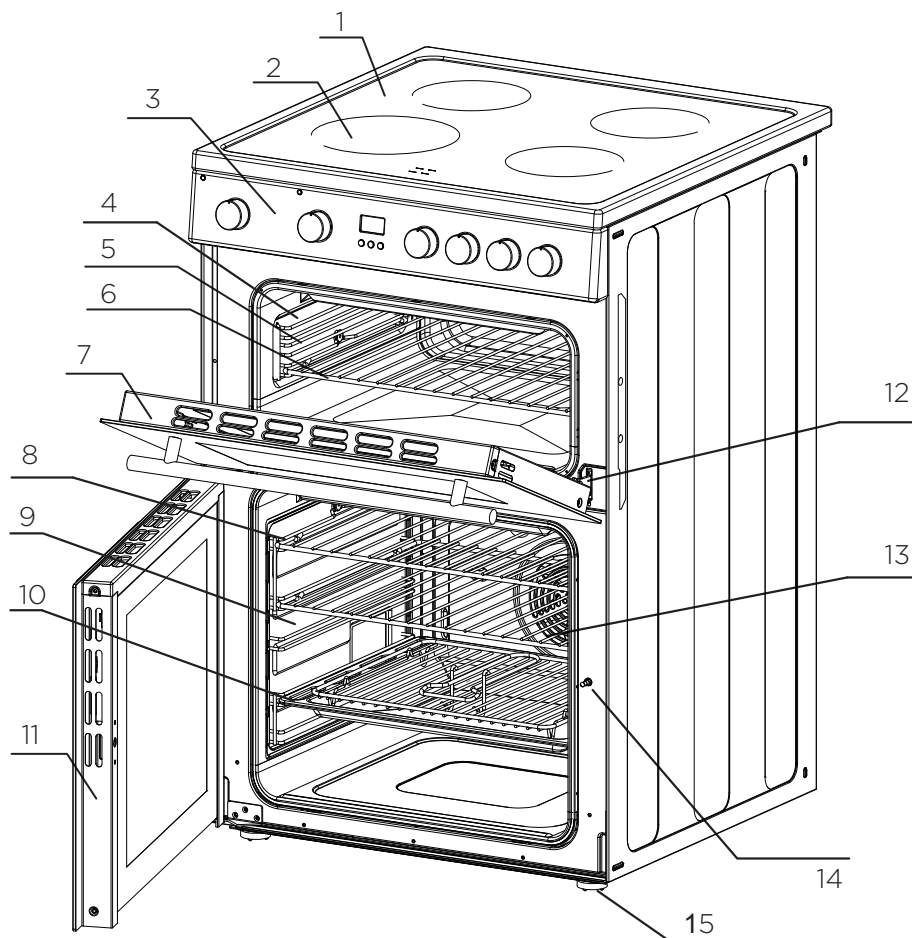
Please read these instructions carefully. They contain important information which will help you get the best from your freestanding cooker and ensure safe and correct installation and operation.

If you require any further assistance, our technical experts are happy to help. For full details, refer to the product support section at the end of these instructions.

# Getting to know your Freestanding Cooker

---

## Overview



- |                    |                    |
|--------------------|--------------------|
| 1. Hob             | 9. Catalytic panel |
| 2. Cooking zone    | 10. Baking tray    |
| 3. Control Panel   | 11. Oven Door      |
| 4. Catalytic panel | 12. Hinge          |
| 5. Shelf positions | 13. Wire Shelf     |
| 6. Wire Shelf      | 14. Door lock      |
| 7. Oven Door       | 15. Anti slip feet |
| 8. Shelf positions |                    |

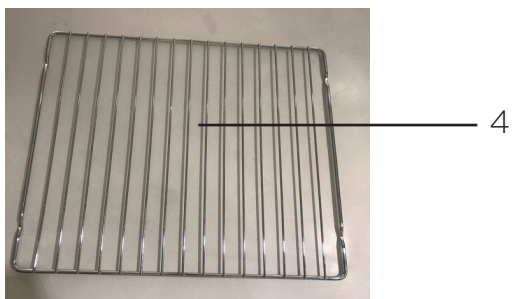


# Getting to know your Freestanding Cooker

---

## Accessories

1. Baking tray x 1
2. Grill insert x 1
3. Grill pan handle x 1
4. Chrome shelves x 3



# Installing your Freestanding Cooker

---

## Installation requirements

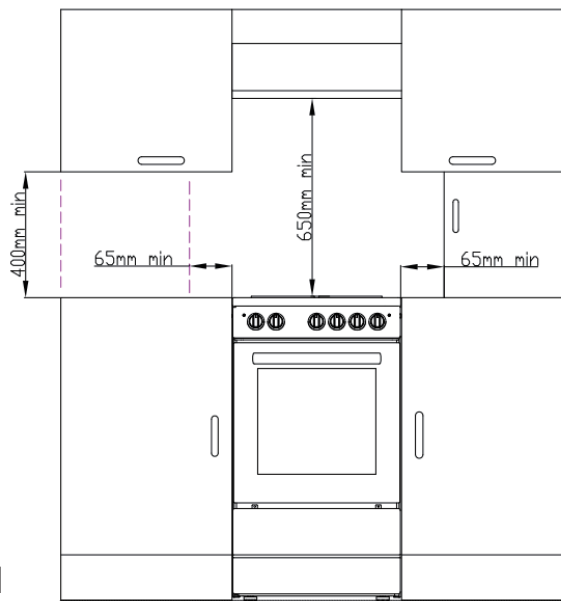
THIS COOKER MUST BE INSTALLED BY A QUALIFIED INSTALLER IN ACCORDANCE WITH LOCAL REGULATIONS.



**IMPORTANT:** CONTACT AN AUTHORISED SERVICE AGENT FOR INSTALLATION OF YOUR FREESTANDING COOKER!

## Positioning

1. Make sure that there are no combustible or flammable materials, such as curtains, in the vicinity of the installation.
2. Furniture and cabinets surrounding the cooker must be of material resistant to temperatures greater than 100°C.
3. Surrounding furniture, cabinets and extractor fans should be positioned in accordance with the diagram shown in the figure 1.



**Figure 1**

4. There must be at least 2cm of free space between the back wall and the rear of the appliance to allow for ventilation and air circulation.
5. If fitted, the extractor fan must be at least 65cm above the hotplates. If no fan is fitted the minimum distance between the hotplates and any cabinet or other structure must be 75cm.

## First Use

**IMPORTANT:** When using your oven for the first time your cooker may give off smoke or an unusual odour from the heating elements and insulation materials. This is normal for new cookers. To eliminate this odour run the oven at 250 degrees for 40-60 mins with the oven empty.

# Installing your Freestanding Cooker

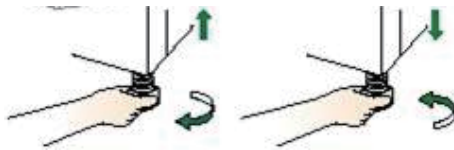
---

## Unpacking

Carefully unpack and examine the appliance for any damage. If you think there is a defect, do not use the appliance and contact Product Support on \*\*\*\*\*.

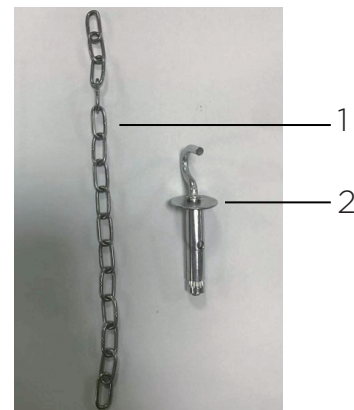
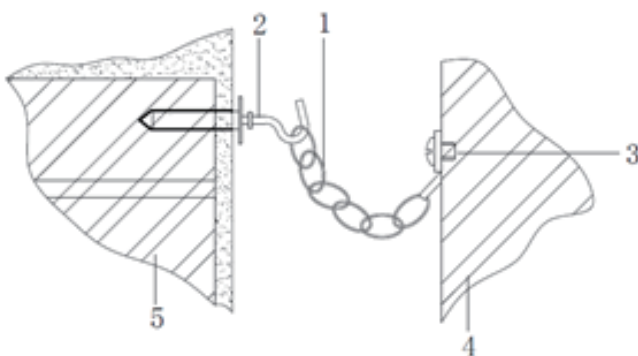
## Levelling feet

The height and level of the appliance can be adjusted by rotating the feet located underneath the appliance at each corner. Rotate the feet to decrease or increase the height.



## Safety chain

The appliance must be secured against the possibility of tipping forward by using the supplied safety chains attached to the rear of your oven. Fasten the stability hook provided by inserting a wall plug into the kitchen wall and then connect the safety chain to the hook via the locking mechanism.



1. Safety chain (supplied and mounted to oven)
2. Stability hook
3. Chain attachment for the rear of the cooker
4. Rear of the cooker
5. Kitchen wall

# Installing your Freestanding Cooker

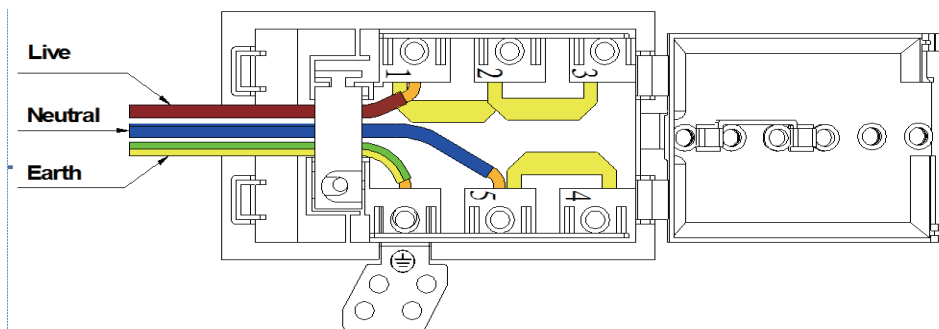
## Electrical connection

IMPORTANT: Electrical connections must be carried out by a suitably qualified person and in accordance with all relevant local building and installation regulations.

### Fitting on a Power Supply Cable

Connecting appropriate power supply terminal board/ connector block:

- Using a screwdriver, prize open tabs of the Terminal board cover.
- Remove the wire clamp screw.
- Fasten the wires beneath the corresponding screw heads, using brass 'bridge' for single phase supply.
- Fasten cable clamp and close the cover of the terminal board.
- The ac power supply should be 220-240 V, 50/60 Hz. For electric cookers, the minimum 45A fuse, or at least 45A distribution circuit breaker.



**Warning:** Connect the power cord in accordance with the instructions listed in the table below.

Wire cross-sectional area(mm <sup>2</sup> )	L	N	E
Connection mode			
1N~	Min4	Min4	Min4

### Connecting the supply cable to the mains

Install an approved circuit breaker with a minimum contact opening of 3 mm, between the appliance and the mains fuse box. The circuit breaker should be sized according to the load and should comply with current regulations (the earth wire should not be interrupted by the circuit breaker).

# Installing your Freestanding Cooker

---

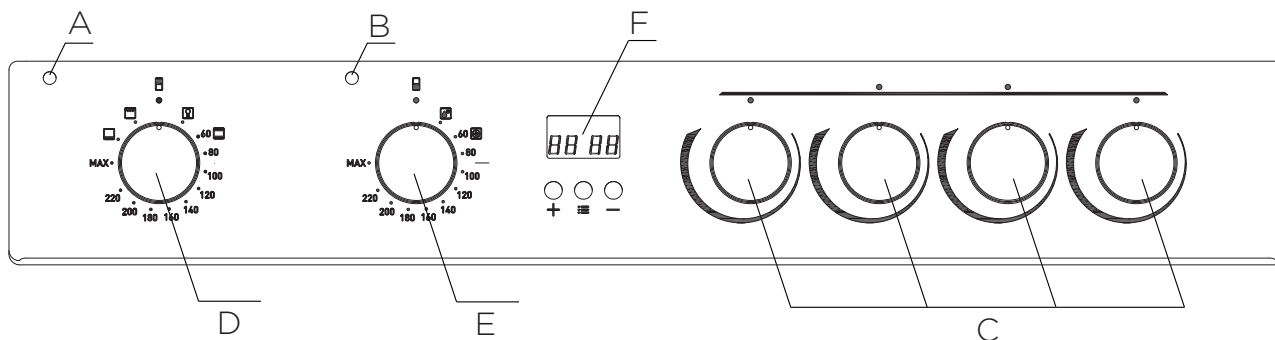
The supply cable should be positioned so that it does not reach a temperature of more than 50°C with respect to the room temperature, anywhere along its length. Before switching fuse ON in meter-box check:

- Earth continuity. The electrical safety of this appliance can only be guaranteed if the cooker is correctly installed and earthed, in compliance with regulations on electrical installations.
- The electrical capacity of the system and sockets will support the maximum power of the appliance, as indicated on the data plate.

# Installing your Freestanding Cooker

---

## Control panel



A Indicator lamp for top oven

- The indicator lamp will illuminate when oven is heating up until it reaches the selected temperature.

B Indicator lamp for lower oven

- The indicator lamp will illuminate when oven is heating up until it reaches the selected temperature.

C Ceramic Hob Control Knob - can be rotated in either direction

- Adjusts temperature of hotplate.

D Top Oven Temperature/Function Control Knob

- Sets temperature/mode for oven.

E Lower Oven Temperature/Function Control Knob

- Sets temperature/mode for oven.

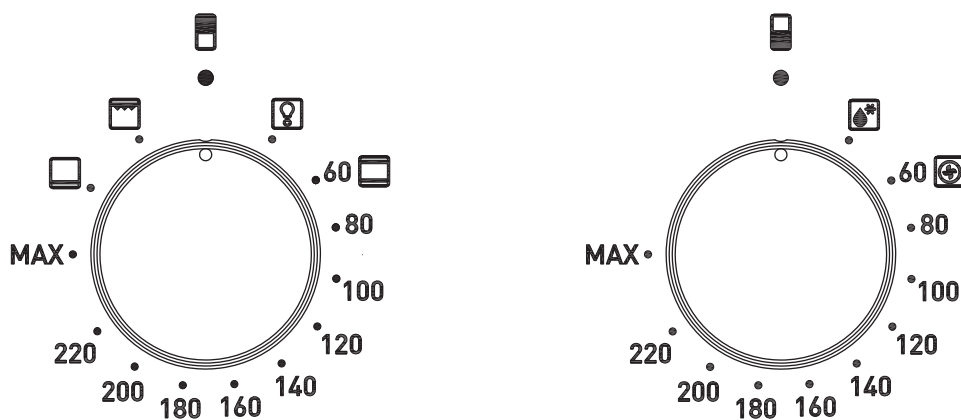
F Programmable Timer

- Sets cooking duration .

# Using your Freestanding Cooker

---

## Oven functions



### Grill

The top central heating element comes on. The extremely high and direct temperature of the grill makes it possible to brown the surface of meats and roasts while locking the juices in to keep them tender. The grill is also highly recommended for dishes that require a high temperature on the surface: beef steaks, veal, rib steak, fillets, hamburgers etc.



### Conventional

Hot air comes from the upper and lower element in the oven. This is called Conventional cooking and is ideal for joints of meat.



### Bottom Element

Bottom element cooking is used for foods that typically need cooking with heat from underneath - Cakes and Bread are examples of where this function would be useful.



### Defrost

When set to 'Defrost' mode, the fan located at the back of the oven circulates room temperature air around the food. This is recommended for the defrosting of all types of food, but in particular for delicate types of food which do not require heat, for example: ice cream cakes, cream or custard desserts, fruit cakes, etc. By using 'Defrost' mode, the defrosting time is approximately halved.

# Using your Freestanding Cooker

---



## Fan Oven

When set to Baking mode, the fan element and the fan operate providing a delicate heat distributed uniformly throughout the oven. This mode is ideal for baking and cooking delicate foods on multiple shelves, especially cakes that need to rise such as cream puffs and for certain tartlets, sweet or savory biscuits, savory puffs, swiss rolls and small portions of vegetables, etc.



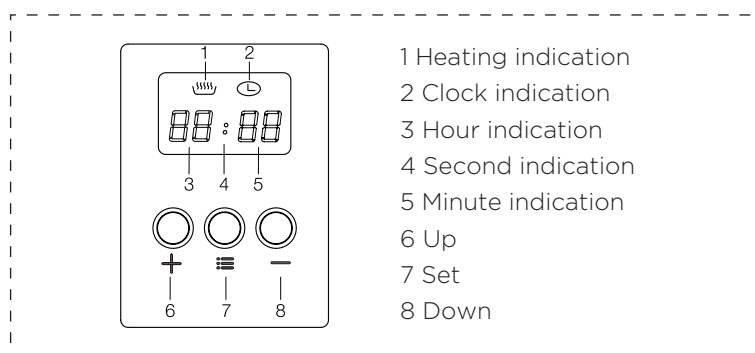
## Oven light



The oven light will operate on all oven functions.

## Using your appliance for the first time

The first time you use your appliance, we recommend that you set the temperature setting to the highest mark. Set the function switch control knob to a cooking mode and leave the oven on for about 40-60 minutes with nothing in it and the oven door shut. Then, open the oven door and allow the oven to cool. Any odour that may be detected during this initial use is due to the evaporation of substances used to protect the oven during storage.

## Digital Automatic Clock



- The oven is fitted with a 3 button programmable timer, you must set the time of day before you can operate your appliance.
- After the appliance has been electrically connected “00.00” will be displayed and the  will flash.
- To set the time of day, press the “-” or “+” buttons. 15 seconds after the last change, the  will disappear, confirming the time has been set.

**Note: The clock has a 24-hour display**



# Using your Freestanding Cooker

---

## Starting-up procedure

After power on, the screen will display “00: 00 ” and “⌚” clock indicator will be on.

## Time of day setting procedure

### NOTE: Digital clock is displayed in 24 hour format

When “⌚” clock indicator and hour indication are flashing, press “+” up key or “-” down key to select a number value from (0-23) for the hour time, then press “≡” set key to change to the minute setting. Whilst flashing press ‘+’ up key or ‘-’ down key to select a number value from (0-59) for the minute time. The “⌚” clock indicator will remain flashing for 15 seconds once the time is set and neither of the “+” up key or “-” down keys and pressed again whilst flashing.

## Duration timer setting procedure

Press “≡” selection button 3 times until “🔥” heating indicator is flashing, then press “+” up key or the “-” down key to select the cooking duration time in hours. Then press the “≡” selection button to enter the cooking duration time in minutes setting. The “🔥” heating indicator will remain flashing for 15 seconds once the cooking duration time is set and neither of the “+” up key or “-” down keys are pressed again whilst flashing.

Alternatively press the “≡” selection button and the oven will start cooking immediately. If duration timer setting does need to exceed 59 minutes then initially the “≡” selection button should be pressed 4 times instead of 3 to bypass the hour duration selection.

## Audible ‘End of Cooking’ buzzer

The buzzer will sound for up 60 seconds at the end of the cooking time duration that has been set has been reached. The “00: 00” display and “🔥” heating indication will flash for this period unless the “≡” selection button is pressed. The clock will return to the time of day display when either of the above two actions occur.

## Remarks

- If you press “+” up key or “-” down key for more than 3 seconds, the value will change quickly.
- When setting the Time of Day or Duration Timer the “:” does not blink although will blink when in either either normal Time of Day mode or Duration Timer is displayed.

# Using your Freestanding Cooker

---

## The oven light

Set cooking mode selection knob to symbol to switch on the oven light/s. The oven light/s stay on when the oven is operating.

## General oven and cooking tips

The wire shelves should always be pushed firmly to the back of the oven.

Baking trays with food cooking on them should be placed level with the front edge of the oven's wire shelves. Other containers should be placed centrally. Keep all trays and containers away from the back of the oven, as over-browning of the food may occur. For even browning, the maximum recommended size of a baking tray is 340 mm (13½") by 340 mm (13½").

When the oven is on, do not leave the door open for longer than necessary, otherwise the knobs may get very hot.

- Always leave 1cm gap between dishes on the same shelf. This allows the heat to circulate freely around them.
- To reduce fat splashing when you add vegetables to hot fat around a roast, dry them thoroughly or brush lightly with cooking oil.
- Where dishes may boil and spill over during cooking, place them on a baking tray.

# Using your Freestanding Cooker

---

## Practical Cooking Advice


The oven offers a wide range of alternatives which allow you to cook any type of food in the best possible way. With time you will learn to make the best use of this versatile cooking appliance and the following directions are only a guideline which may be varied according to your own personal experience.

### Preheating

You should always preheat your oven before placing food in it to cook.

Once the food has been placed in the oven, the most appropriate cooking mode can then be selected.

### Using the Grill

Use the grill mode  , placing the food under the center of the grill (situated on the 3rd or 4th rack from the bottom) due to the central part of the top heating element being active.

Please use the grill pan set provided ensuring that there is no unwanted spillages formed inside your oven. When using this mode, we recommend you set the thermostat to the highest setting. However, this does not mean you cannot use lower temperatures, simply by adjusting the thermostat knob to the desired temperature.

When using this mode, we advise you to set the thermostat to 200°C, as it is the most efficient way to use the grill, which is based on the use of infrared rays.

### Baking Cakes

When baking cakes, always place them in a preheated oven. Make sure you wait until the oven has been preheated thoroughly (the pilot lamp will turn off). To prevent cake from dropping/sinking – do not open the oven door during baking.

### Pastry is too dry

Increase the temperature by 10°C and reduce the cooking time.

### Pastry dropped

Use less liquid or lower the temperature by 10°C.

### Pastry is too dark on top

Place it on a lower rack, lower the temperature, and increase the cooking time.

### Cooked well on the inside but sticky on the outside

Use less liquid, lower the temperature, and increase the cooking time.

### The Pastry sticks to the pan

Grease the pan well and sprinkle it with a dusting of flour or use greaseproof paper.

# Using your Freestanding Cooker

---

Use a lower temperature setting. It is not necessary to remove the food from all the racks at the same time.

## **Cooking Fish and Meat**

When cooking white meat, fowl and fish, use temperature setting from 180°C to 200°C.

For red meat that should be well done on the outside while tender and juicy in the inside, it is a good idea to start with a high temperature setting (200°C-220°C) for a short time, then turn the oven down afterwards.

In general, the larger the roast, the lower the temperature setting. Place the meat on the center of the grid and place the dripping pan beneath it to catch the fat.

Make sure that the grid is inserted so that it is in the center of the oven. If you would like to increase the amount of heat from below, use the low rack heights. For savory roasts (especially duck and wild game), dress the meat with lard or bacon on the top.

# Using your Freestanding Cooker

---

## Using the ceramic cooking zones of your cooker

- Do not use mats, heat diffusers or wok stands. These will cause a temperature build-up which can damage the hob.
- Do not let cooking pots over spill, this could leave a mark and residue on the glass.

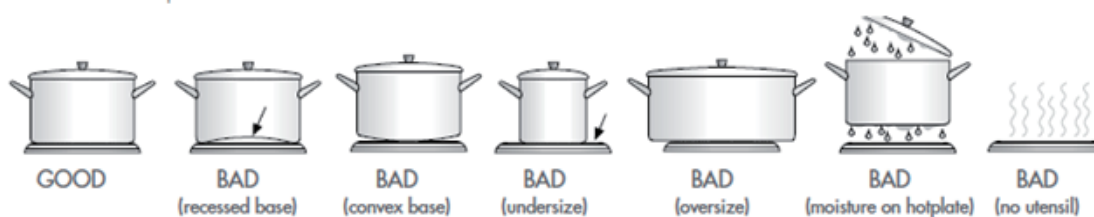
### Ceramic hotplate

- Do not use if the ceramic glass top is cracked or broken.
- Do not leave aluminum foil on the hot ceramic hotplates (permanent damage will occur).

### Choosing Cooking Pots

Look at this diagram below which shows you which pans to use on the hotplates and which pans should not be used.

- Always use pots and pans with flat bottoms. Uneven or thin bottoms will waste energy and cook slowly.
- Always use pots and pans which are slightly larger than the hotplate. Small pans waste energy.
- Always put dry pots and pans on the hotplates.



# Care and maintenance

---

## Cleaning

**WARNING!** Isolate the power supply to the appliance and make sure that the cooker is cool.

Before cleaning your cooker or performing maintenance, make sure that the cooking mode selection knob and the cooking temperature selection knob is set to 'OFF'. To extend the life of your cooker, it must be cleaned frequently. The inside of the cooker should preferably be cleaned immediately after use, when it is still warm (but not hot, with warm water and soap. The soap should be rinsed away and the interior dried thoroughly. Avoid using abrasive detergents, scourers, acidic cleaners such as lime scale remover, etc, as these could damage the enamel, and can result in development of rust and corrosion. If stains are particularly tough to remove, use cleaners specifically recommended to clean cookers and follow the instructions provided with the cleaner.

Never use steam cleaner for cleaning inside the cooker.

Do not clean using caustic creams, abrasive cleaning powders, thick wire wool or hard tools. Enamelled parts of the cooker can be damaged if excess cleaning liquids are not immediately removed.

After cleaning the interior parts of the cooker with a soapy cloth, rinse it and then dry thoroughly with a soft cloth.

Clean the glass surfaces with special glass cleaning agents.

Never use flammable agents like acid, thinner or petrol when cleaning your appliance.

Clean the glass surfaces with special glass cleaning agents.

Do not clean your cooker with a steam cleaner.

Do not wash any part of your cooker in a dishwasher.

### **Enamelled Parts:**

In order to keep enamelled parts as new, it is necessary to clean them frequently with mild warm soapy water and then dry with a cloth. Do not wash them while hot and never use abrasive powders or abrasive cleaning materials. Do not leave anything spilled onto enamelled parts for long periods of time.

### **Ceramic Glass:**

The ceramic glass should be regularly cleaned, always wipe clean immediately after each use once the residual heat warnings have switched off - DO NOT clean when hob is still hot. Smudges from pans with an aluminum bottom can be easily cleaned off with a cloth dampened in vinegar. Remove any burnt residues immediately after cooking, rinse with water and wipe dry with a clean cloth. Never use abrasive or corrosive detergents, cleaning powders, oven sprays, spot-removers, steel wool or scourers.

# Care and maintenance

---

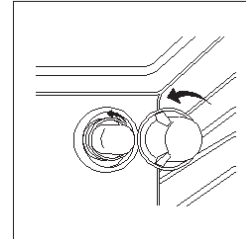
## Replacing the oven lamps

- Disconnect the oven from the power supply at the fuse-box by means of the switch used to connect the appliance to the electrical mains ;or unplug the appliance.
- Remove the glass cover of the lamp-holder by rotating anti-clockwise.
- Remove the lamp and replace with a lamp resistant to high temperatures (300 °C) with the following characteristics:

Voltage: 220-240V

Wattage: 25W

Type: E 14



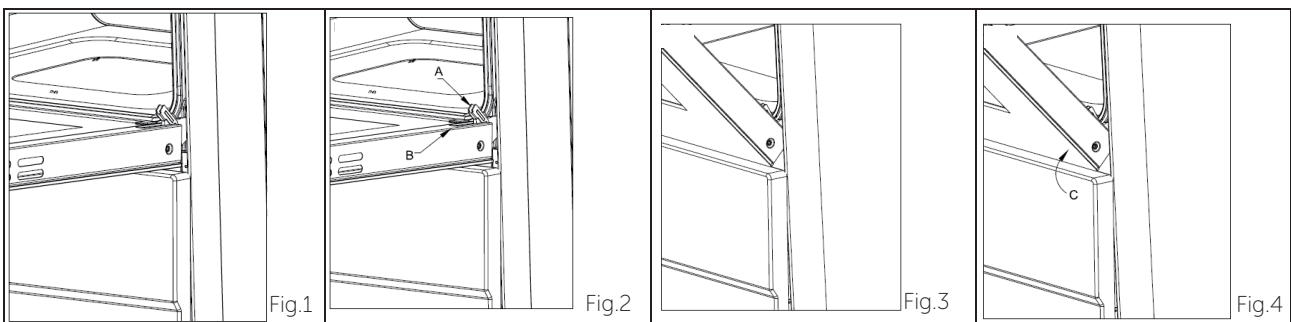
Replace the glass cover. Reconnect the appliance to the mains power supply.

## Cleaning the oven door / How to remove the oven doors

For a more thorough clean, you can remove and disassemble the oven door. Proceed as follows:

Oven door removal and assemble procedure:

- Open the door to the full extent (fig.1)
- Open the lever A completely on the left and right hinges (fig.2).
- Hold the door as shown in (fig.3).
- Gently close the door (fig.3) until left and right hinge levers A are hooked to part B of the door (fig.4).
- Withdraw the hinge hooks from their location following arrow C ( fig.4).
- Rest the door on a soft surface.
- To replace the door, repeat the above steps in reverse.



# Care and maintenance

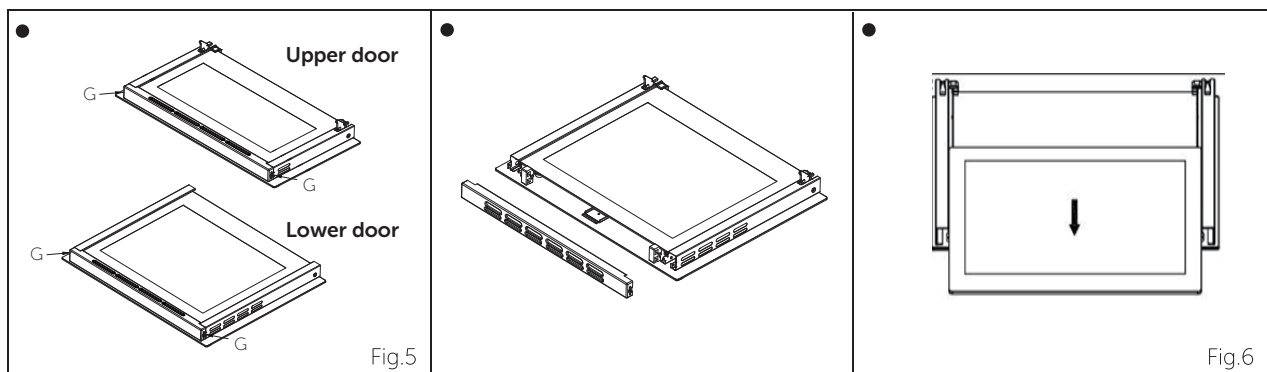
---

## Removing the Inner Pane of Glass

- Double oven door: Remove the seal “G” by unscrew the no.2 bolts (Fig.5)
- Gently pull out the inner pane of glass (Fig.6)
- Clean the glass with an appropriate cleaner. Dry thoroughly, and place on a soft surface.
- Now you can also clean the inside of the outer glass.

## Cleaning the door glass

Clean the glass door using non-abrasive products or sponges and dry it with a soft cloth.





# Technical Data

---

## Technical specification

Model	HDE3211BBUK / HDE3211BWUK
Voltage and frequency	220-240V AC 50Hz
Upper oven power consumption	1600-1900W
Lower oven power consumption	1710-2030W
Total oven power consumption	3310-3930
Upper oven usable capacity	31L
Lower oven usable capacity	68L
Power consumption for large zones	(1660-1960W)x1
Power consumption for small zones	(1100-1307W)x3
Total ceramic zone power consumption	4960-5880W
Total power consumption	8270-9810W
Energy rating	A
Product dimension	600 x 595 x 900mm

We apologise for any inconvenience cause by minor inconsistencies within these instructions that may occur due to product improvements and development.

All images and drawings are for illustration purposes only.

# Technical Data

## Energy fiche

Product fiche pursuant to Delegated Regulation(EU) No. 65/2014 and 66/2014		
Brand	<b>Hisense</b>	
Large Description	HDE32I1BWUK / HDE32I1BBUG	
Product Line	FS Cooker with Double Oven	
Net weight(kg)	53 ± 2	
Energy Efficiency Index, EEI Cav 1	73.5	
Energy Efficiency Index, EEI Cav 2	94.1	
Energy efficiency - cavity 1	A+	
Energy efficiency - cavity 2	A	
Energy consumption conventional(kWh) - cavity 1	0.5	
Energy consumption conventional(kWh) - cavity 2	-	
Energy consumption forced air convection(kWh) - cavity 1	-	
Energy consumption forced air convection(kWh) - cavity 2	0.79	
Oven number	2	
Heat source	Electricity	
Cavity capacity(l) - cavity 1	31L	
Cavity capacity(l) - cavity 2	68L	
Power Consumption in standby mode	0.9W ( with electric timer)	
Power Consumption in network stand-by mode	-	
Energy Saving Tips Oven	Energy Saving Tips Hob	
- Cook the meals together, if possible.	- Use cookwares having flat base.	
- Keep the pre-heating time short.	- Use cookwares with proper size .	
- Do not elongate cooking time.	- Use cookwares with lid.	
- Do not forget to turn-off the oven at the end of cooking.	- Minimize the amount of liquid or fat.	
- Do not open oven door during cooking period.	- When liquid starts boiling , reduce the setting.	
Type of Hob		Electric
Number of Cooking Zones		4
Heating Technology-1		Ceramic
Size-1	cm	Ø19
Energy Consumption-1	Wh/kg	185.6
Heating Technology-2		Ceramic
Size-2	cm	Ø15
Energy Consumption-2	Wh/kg	182.5
Heating Technology-3		Ceramic
Size-3	cm	Ø15
Energy Consumption-3	Wh/kg	182.5
Heating Technology-4		Ceramic
Size-4	cm	Ø15
Energy Consumption-4	Wh/kg	182.5
Energy Consumption of Hob	Wh/kg	183.3
This hob complies with EN 60350-2		

# Product support

---

## Troubleshooting

If you have a problem with your appliance, check the troubleshooting table below to try and rectify your problem before calling your product support service centre.

<b>Problem</b>	<b>Possible Cause</b>	<b>Solution</b>
Oven will not operate	Control knob is not set in the correct position	Move the control knob In a clockwise direction and select the desired function
Nothing works	Power is turned off at the isolation switch or the consumer unit  Poor electrical connection	Ensure isolation switch is on and check the consumer unit has not tripped out  Have the connections been checked by a qualified electrician?
The cooking zones are not operating	Poor electrical connection  Power is turned off at the isolation switch	Have the connections been checked by an electrician electrician? Ensure the isolation switch is on, check the consumer unit has not tripped out
Oven not heating up	Oven temperature not set correctly  Door is not properly closed	Ensure that the correct temperature has been selected and the door is properly closed

# Product support

---

## Declaration of conformance to product standards

This appliance conforms to all relevant standards applicable to domestic appliances sold in the UK.

## Disposal



This appliance/fitting is marked according to the European directive 2012/19/EU on Waste Electrical and Electronic Equipment (WEEE). By ensuring this product is disposed of correctly, you will help prevent potential negative consequences for the environment and human health, which could otherwise be caused by inappropriate waste handling of this product.

The symbol on the product, or on the documents accompanying the product, the crossed out wheeled bin symbol, indicates that this appliance/fitting may not be treated as household waste. Instead it shall be handed over to the applicable collection point for the recycling of electrical and electronic equipment.

Disposal must be carried out in accordance with local environmental regulations for waste disposal.

For more detailed information about treatment, recovery and recycling of this product, please contact your local authority, your household waste disposal service or the retailer where you purchased the product.

