



User Manual

## Refrigerator-Freezer

**HSR3918ENP\***

**HSR3918EWP\***

**HSR3918FNP\***

**\*=W,B,L,G,N**

GB

**Haier**



**EN WARNING: Risk of fire/flammable material.** The symbol indicates there is a risk of fire since flammable materials are used. Take care to avoid causing a fire by igniting flammable material.

**DE WARNUNG: Brandgefahr/ brennbares Material.** Das Symbol weist auf Brandgefahr hin, da brennbare Materialien verwendet werden.

Verhindern Sie die Entstehung von Bränden, die durch entflammbare Materialien verursacht werden.

**FR ATTENTION: Risque d'incendie ou de matières inflammables.**

Le symbole montre qu'il y a le risque de matériaux inflammables sont utilisés. Prendre soin d'éviter de provoquer un incendie en ingérant des matières inflammables.

**IT ATTENZIONE: Rischio di incendio/materiali infiammabili.** Il simbolo indica il rischio di incendio nel caso di utilizzo di materiali infiammabili. Fare attenzione ed evitare l'insorgere di Incendi a causa della combustione di materiali infiammabili.

**ES ADVERTENCIA: Riesgo de incendio o material inflamable.** El símbolo indica que existe riesgo de incendio, dado que se utilizan materiales inflamables. Se debe procurar evitar incendios mediante la combustión de materiales inflamables.

**PT ADVERTÊNCIA: Risco de incêndio/material inflamável.** O símbolo indica que existe um risco de incêndio uma vez que são usados materiais inflamáveis. Ter cuidado para evitar provocar um incêndio por acender material inflamável.

**NL WAARSCHUWING: Brandrisico / brandbaar materiaal.** Het systeem geeft dat er een brandrisico bestaat aangezien brandbaar materiaal wordt gebruikt. Zorg ervoor dat er geen brand wordt veroorzaakt door brandbaar materiaal te ontsteken.

**PL OSTRZEŻENIE: Ryzyko pożaru/material łatwopalny.** Symbol wskazuje, że istnieje ryzyko pożaru, ponieważ używane są materiały łatwopalne. Dbaj o to, aby uniknąć pożaru poprzez zapale nie łatwopalnego materiału.

**RO AVERTISMENT: Risc de incendiu/material inflamabil.** Simbolul indică că există risc de incendiu deoarece sunt folosite materiale inflamabile. Aveți grijă și evitați incendiile aprinzând materiale inflamabile

**CZ VAROVÁNÍ: Nebezpečí Požáru/ Hořlavého Materiálu.** Symbol označuje požár, protože byly použity hořlavé materiály. Dbejte na to, aby nedošlo ke vzniku požáru zapálením hořlavého materiálu.

**HU FIGYELEM:** Tűz / gyúlékony anyag veszélye. A szimbólum azt jelzi, hogy tűzveszély áll fenn, mivel gyúlékony anyagokat használnak. Ügyeljen arra, hogy ne tegyen rá tűzveszélyes gyúlékony anyagot.

**EL ΠΡΟΣΟΧΗ:** Κίνδυνος φωτιάς/εύφλεκτο υλικό. Το σύμβολο υποδεικνύει ότι υπάρχει κίνδυνος φωτιάς επειδή χρησιμοποιούνται εύφλεκτα υλικά. Προσέχετε να αποφεύγετε την πρόκληση φωτιάς από ανάφλεξη εύφλεκτου υλικού.

**BG ПРЕДУПРЕЖДЕНИЕ:** Опасност от пожар/запалим материал. Символът показва, че съществува опасност от пожар, тъй като се използват запалими материали. Внимавайте да не предизвикате пожар чрез подпалване на запалим материал.

## Thank you for purchasing a Haier Product.

Please read these instructions carefully before using this appliance. The instructions contain important information which will help you get the best out of the appliance and ensure safe and proper installation, use and maintenance.

Keep this manual in a convenient place so you can always refer to it for the safe and proper use of the appliance.

If you sell the appliance, give it away, or leave it behind when you move house, make sure you also pass this manual so that the new owner can become familiar with the appliance and safety warnings.

## Legend

Warning – Important Safety information



General information and tips



Environmental information



## Disposal

Help protect the environment and human health. Put the packaging in applicable containers to recycle it. Help to recycle waste of electrical and electronic appliances. Do not dispose appliances marked with this symbol with the household waste. Return the product to your local recycling facility or contact your municipal office.



## WARNING!

### Risk of injury or suffocation!

Refrigerants and gases must be disposed of professionally. Ensure that the tubing of the refrigerant circuit is not damaged before being properly disposed of. Disconnect the appliance from the mains supply. Cut off the mains cable and dispose of it. Remove the trays and drawers as well as the door catch and seals, to prevent children and pets to get closed in the appliance.

Old appliances still have some residual value. An environmentally friendly method of disposal will ensure that valuable raw materials can be recovered and used again.

Cyclopentane, a flammable substance not harmful to ozone, is used as an expander for the insulating foam.

By ensuring this product is disposed of correctly, you will help prevent potential negative consequences for the environment and human health, which could otherwise be caused.

For more detailed information about recycling of this product, please contact your local council, your household waste disposal service or the shop where you purchased the product, handled by the professionals.



|                              |    |
|------------------------------|----|
| 1- Safety information.....   | 6  |
| 2- Intended use .....        | 10 |
| 3- Product description ..... | 11 |
| 4- Control panel.....        | 13 |
| 5- Use.....                  | 14 |
| 6- Energy saving tips .....  | 22 |
| 7- Equipment .....           | 23 |
| 8- Care and cleaning .....   | 25 |
| 9- Trouble shooting .....    | 28 |
| 10- Installation.....        | 31 |
| 11- Technical data .....     | 35 |
| 12- Customer service.....    | 37 |

Before switching on the appliance for the first time read the following safety hints!:



## WARNING!

### Before first use

- ▶ Make sure there is no transport damage.
- ▶ Remove all packaging and keep out of children's reach.
- ▶ Wait at least two hours before installing the appliance in order to ensure the refrigerant circuit is fully efficient.
- ▶ Handle the appliance always with at least two persons because it is heavy.

### Installation

- ▶ The appliance should be placed in a well-ventilated place. Ensure a space of at least 20 cm above and 10 cm around the appliance.
- ▶ Never place the appliance in a damp area or location where it might be splashed with water. Clean and dry water splashes and stains with a soft clean cloth.
- ▶ Do not install the appliance in direct sunlight or in the near of heat sources (e.g. stoves, heaters).
- ▶ Install and level the appliance in an area suitable for its size and use.
- ▶ Keep ventilation openings in the appliance or in the in-built structure clear of obstruction.
- ▶ Make sure that the electrical information on the rating plate agrees with the power supply. If it does not, contact an electrician.
- ▶ The appliance is operated by a 220-240 VAC/50 Hz power supply. Abnormal voltage fluctuation may cause the appliance to fail to start, or damage to the temperature control or compressor, or there may be an abnormal noise when operating. In such case, an automatic regulator shall be mounted.
- ▶ Use a separate earthed socket for the power supply which is easy accessible. The appliance must be earthed.
- ▶ **Only for UK:** The appliance's power cable is fitted with 3-cord (grounding) plug that fits a standard 3-cord (grounded) socket. Never cut off or dismount the third pin (grounding). After the appliance is installed, the plug should be accessible.
- ▶ Do not use multi-plug adapters and extension cables.
- ▶ Ensure that the power cable is not trapped by the appliance. Do not step on the power cable.
- ▶ Do not damage the refrigerant circuit.
- ▶ Do not locate multiple portable socket-outlets or portable power supplies at the rear of the appliance.

**WARNING!****Daily use**

- ▶ This appliance can be used by children aged from 8 years and above and persons with reduced physical, sensory or mental capabilities or lack of experience and knowledge if they have been given supervision or instruction concerning use of the appliance in a safe way and understand the hazards involved.
- ▶ Children aged from 3 to 8 years are allowed to load and unload refrigerating appliances, but not allowed to clean and install the refrigerating appliances.
- ▶ Keep away children under 3 years of age from the appliance unless they are constantly supervised.
- ▶ Cleaning and user maintenance shall not be made by children without supervision.
- ▶ Children shall not play with the appliance.
- ▶ The appliance must be positioned so that the plug is accessible.
- ▶ If cool gas or other inflammable gas is leaking in the vicinity of the appliance, turn off the valve of the leaking gas, open the doors and windows and do not unplug a plug in the power cable of the appliance or any other appliance.
- ▶ Notice that the appliance is set for operation at a specific ambient range between 10 and 38°C. The appliance may not work properly if it is left for a long period at a temperature above or below the indicated range.
- ▶ Do not place unstable articles (heavy objects, containers filled with water) on top of the appliance, avoid personal injury caused by falling or electric shock caused by contact with water.
- ▶ Do not pull on the door shelves. The door may be pulled slant, the bottle rack, may be pulled away, or the appliance may topple.
- ▶ Open and close the doors only with the handles. The gap between the doors and between the doors and the cabinet is very narrow. Do not extend your hands in these areas to avoid pinching your fingers. Open or close the doors only when there are no children standing within the range of door movement.
- ▶ Do not store or use inflammable, explosive or corrosive materials in the appliance or in the vicinity.
- ▶ Do not store medicines, bacteria or chemical agents in the appliance. This appliance is a household appliance. It is not recommended to store materials that require strict temperatures.
- ▶ Never store liquids in bottles or cans (besides high percentage spirits) especially carbonated beverages in the freezer, as these will burst during freezing.



## **WARNING!**

### **Daily use**

- ▶ Check the condition of food if a warming in the freezer has taken place.
- ▶ Do not set unnecessarily low temperature in the refrigerator compartment. Minus temperatures may occur at high settings. Attention: Bottles can burst.
- ▶ Do not touch frozen goods with wet hands (wear gloves). Especially do not eat ice lollies immediately after removal from the freezer compartment. There is the risk to freeze or the formation of frost blisters. FIRST aid: keep immediately under running cold water. Do not pull away!
- ▶ Do not touch the inside surface of the freezer storage compartment when in operation, especially with wet hands, as your hands may freeze onto the surface.
- ▶ Unplug the appliance in the event of a power interruption or before cleaning. Allow at least 5 minutes before restarting the appliance, as frequent starting may damage the compressor.
- ▶ Do not use electrical devices inside the food storage compartments of the appliance, unless they are of the type recommended by the manufacturer.
- ▶ Only use drinking water with models with water dispenser.

### **Maintenance / cleaning**

- ▶ Make sure children are supervised if they carry out cleaning and maintenance.
- ▶ Disconnect the appliance from the electrical supply before undertaking any routine maintenance. Allow at least 5 minutes before restarting the appliance, as frequent starting may damage the compressor.
- ▶ Hold the plug, not the cable, when unplugging the appliance.
- ▶ Do not scrape off frost and ice with sharp objects. Do not use sprays, electric heaters like heater, hair dryer, steam cleaners or other sources of heat in order to avoid damage to the plastic parts.
- ▶ Do not use mechanical devices or other means to accelerate the defrosting process, other than those recommended by the manufacturer.
- ▶ Do not clean the appliance with hard brushes, wire brushes, detergent powder, petrol, amyl acetate, acetone and similar organic solutions, acid or alkaline solutions. Please clean with special re-frigerator detergent to avoid damage.
- ▶ Eventually use warm water and baking soda solution-about a tablespoon of baking soda to a liter/quart of water. Rinse

thoroughly with water and wipe dry. Do not use cleaning powders or other abrasive cleaners. Do not wash removable parts in a dishwasher



## WARNING!

### Maintenance / cleaning

- ▶ If the supply cord is damaged, it must be replaced by the manufacturer, its service agent or similarly qualified persons in order to avoid a hazard.
- ▶ Do not try to repair, disassemble or modify the appliance by yourself. In case of repair please contact our customer service.
- ▶ If the illuminating lamps are damaged, it must be replaced by the manufacturer, its service agent or similarly qualified persons in order to avoid a hazard.
- ▶ Eliminate the dust on the back of the unit at least once in the year to avoid hazard by fire, as well as increased energy consumption.
- ▶ Do not spray or flush the appliance during cleaning.
- ▶ Do not use water spray or steam to clean the appliance.
- ▶ Do not clean the cold glass shelves with hot water. Sudden temperature change may cause the glass to break.
- ▶ If you leave your appliance out of use for an extended period, leave it open to prevent odour and unpleasant smells building up inside.

## Refrigerant gas information



## WARNING!

The appliance contains the flammable refrigerant ISOBUTANE (R600a). Make sure the refrigerant circuit is not damaged during transportation or installation. Leaking refrigerant may cause eye injuries or ignite. If a damage has occurred, keep away open fire sources, thoroughly ventilate the room, do not plug or unplug the power cords of the appliance or any other appliance. Inform the customer service.

In case of eyes get into contact with the refrigerant, rinse immediately it under running water and call immediately the eye specialist.

WARNING: The refrigeration system is under high pressure. Do not tamper with it. Since the flammable refrigerants are used, please, install, handle and service the appliance strictly according to the instruction and contact the professional agent or our after-sales service to dispose of the appliance.


### 2.1 Intended use

This appliance is intended to be used in household and similar applications such as

- staff kitchen areas in shops, offices and other working environments;
  - farm houses and by clients in hotels, motels and other residential type environments;
  - bed and breakfast type environments;
  - catering and similar non-retail applications.
- If the appliance is not used for an extended period of time, and you will use only the Holiday-function or the fridge off function for the refrigerator/freezer:
- Take out the food.
  - Unplug the power cord.
  - Empty and clean the watertank.
  - Clean the appliance as described above.
  - Keep the doors open to prevent the creation of bad odours inside.
- To ensure the safe preservation of foodstuffs or wine, please comply with this instruction to use.
- To avoid contamination of food (not valid for the wine cellar), please respect the following instructions:
- Opening the door for long periods can cause a significant increase of the temperature in the compartments of the appliance.
  - Clean regularly surfaces that can come in contact with food and accessible drainage systems.
  - Clean water tanks if they have not been used for 48 h; flush the water system connected to a water supply if water has not been drawn for 5 days.
  - Store raw meat and fish in suitable containers in the refrigerator/freezer, so that it is not in contact with or drip onto other food. To ensure the safe preservation of foodstuffs, instant food and raw meat / fish shall be stored separately.
  - Two-star frozen-food compartments are suitable for storing pre-frozen food, storing or making ice cream and making ice cubes.
  - One-, two- and three-star compartments are not suitable for the freezing of fresh food.
  - If the refrigerating appliance is left empty for long periods, switch off, defrost, clean, dry, and leave the door open to prevent mould developing within the appliance.
- The details on the most appropriate part in the compartment of the appliance where specific types of food shall be stored, considering the distribution of temperature that can be present in the different compartments of the appliance are in the part of the other manual.

## Disposal



The  symbol on the product or on its packaging indicates that this product may not be treated as household waste. Instead it shall be handed over to the applicable collection point for the recycling of electrical and electronic equipment. By ensuring this product is disposed of correctly, you will help prevent potential negative consequences for the environment and human health, which could otherwise be caused by inappropriate waste handling of this product. For more detailed information about recycling of this product, please contact your local city office, your household waste disposal service or the shop where you purchased the product.

Since the flammable insulation blowing gases are used, please contact the professional agent or our after-sale service to dispose of the appliance.

### WARNING!

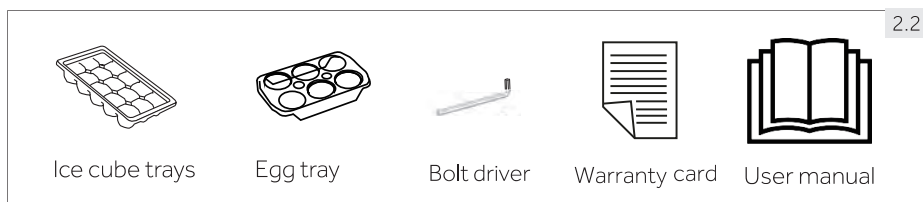
#### Risk of injury of suffocation!

Refrigerants and gases must be disposed of professionally. Ensure that the tubing of the refrigerant circuit is not damaged before being properly disposed of. Disconnect the appliance from the mains supply. Cut off the mains cable and dispose of it. Remove the trays and drawers as well as the door catch and seals to prevent children and pets to get closed in the appliance.

Changes or modifications to the device are not allowed. Unintended use may cause hazards and loss of warranty claims.

## 2.2 Accessories

Check the accessories and literature in accordance with this list (Fig. 2.2):



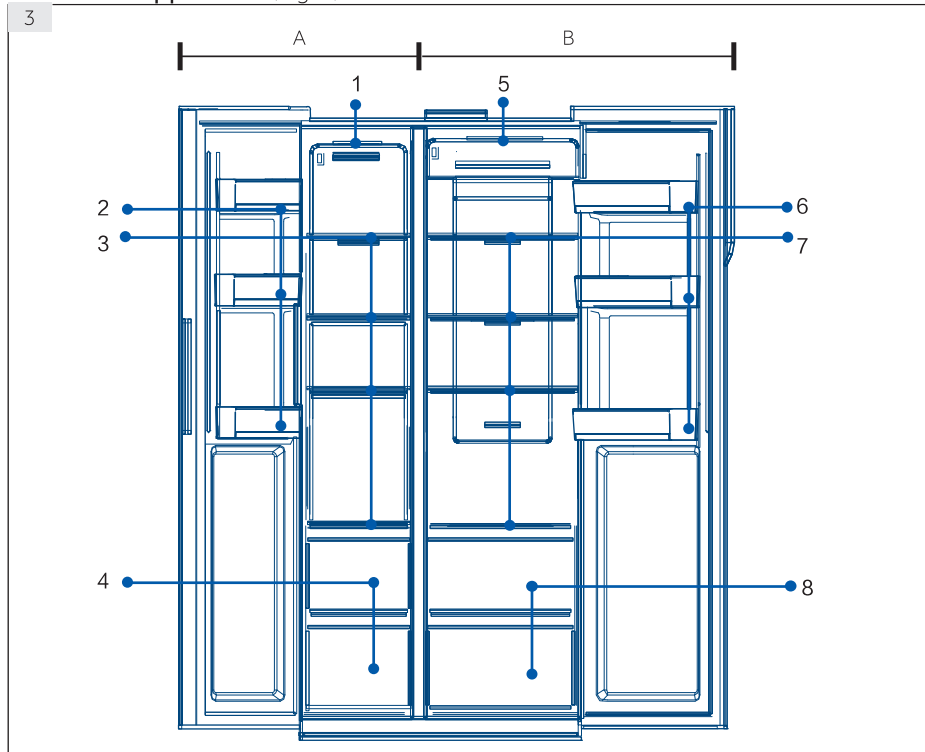
# 3- Product description

GB

## **i** Notice

Due to technical changes and different models, some of the illustrations in this manual may differ from your model.

### Pictures of appliances (Fig. 3)



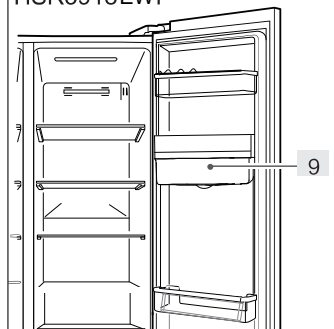
#### **A: Freezer compartment**

- 1 Ceiling lamp
- 2 Door rack/bottle holder
- 3 Freezer Shelves
- 4 Freezer Box

#### **B: Fridge compartment**

- 5 Ceiling lamp
- 6 Door rack/bottle holder
- 7 Fridge Shelves
- 8 Fridge Box
- 9 Water tank

#### HSR3918EWP\*





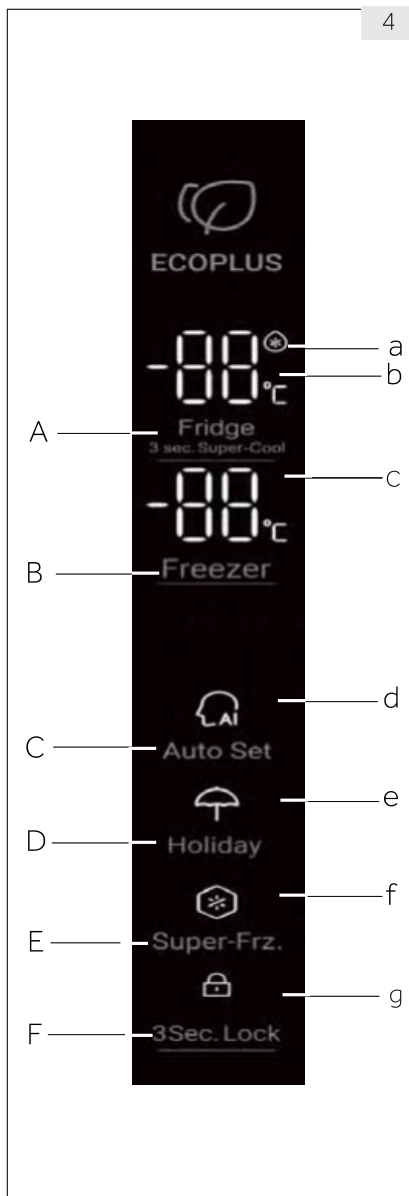
Control panel (Fig. 4)

**Keys:**

- A Fridge selector
- B Freezer selector
- C Auto Set mode
- D Holiday mode
- E Super-Freeze mode
- F Panel lock selector

**Indicators:**

- a Super-Cool mode
- b Fridge Temperature
- c Freezer Temperature
- d Auto Set mode
- e Holiday mode
- f Super-Freeze mode
- g Panel lock



## 5.1. First Use

When the refrigerator first connects with power, the display is on. The default temperature for fridge compartment is 4°C, and freezer is -18°C. The intelligence function light is on.

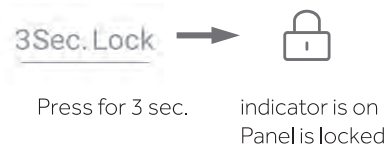
## 5.2. Lock/ Unlock Panel

Automatic Lock:

When the fridge door and the freezer door are closed, and there is no operation on any button for 30s, the panel light will automatically turn off, and the panel is locked.

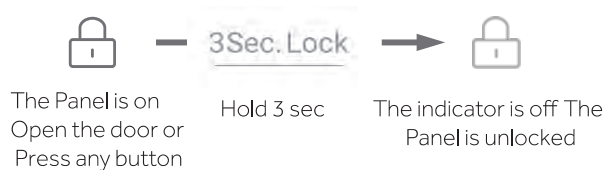
Manual Lock:

When the panel is unlocked, press the Lock button for 3 seconds, and the buzzer make a buzzing sound, the lock indicator is on, and then the display is locked.



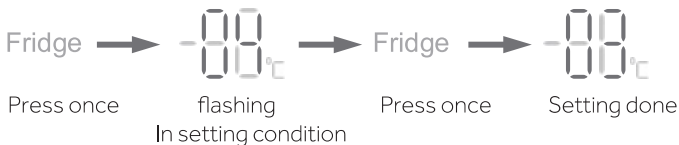
Unlock:

When the panel is off, open any door of the refrigerator or touch any button on the control panel, the panel will light up. At this time, the panel is locked. Press the lock function button for 3 seconds, the buzzer will sound, the lock indicator is off and the panel is unlocked.



## 5.3. Adjust the temperature for fridge

- When the control panel is unlocked, press the "Fridge selector", and the buzzer sounds, Fridge temperature indicator flashes. Now the fridge temperature can be set.
- Then every press of the fridge selector, the buzzer sounds, and the setting downshifts by 1. The shift sequence is in a continuous loop as "4°C / 3°C / 2°C / 1°C / 9°C / 8°C / 7°C / 6°C / 5°C / 4°C"

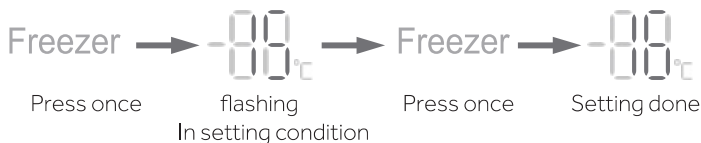


### Notice

- The appliance is preset to the recommended temperature of 4°C (refrigerator) and -18°C (freezer). Under normal ambient conditions you do not need set a temperature.

#### 5.4. Adjust the temperature for freezer

1. When the control panel is unlocked, press the "Freezer selector", and the buzzer sounds, Freezer temperature indicator flashes. Now the freezer temperature can be set.
2. Then every press of the freezer selector, the buzzer sounds, and the temperature downshifts by 1. the shift sequence is in a continuous loop as "-18°C/-19°C/-20°C/-21°C/-22°C/-23°C/-24°C/-14°C/-15°C/-16°C/-17°C/-18°C".

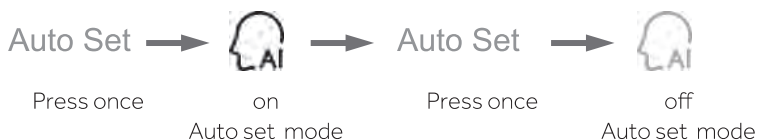


#### Notice

- ▶ The temperature is set, if no button is pressed in 5 seconds, the temperature will be automatically confirmed and saved.

#### 5.5. Auto set

1. When the control panel is unlocked, press the "Auto set mode selector", and the buzzer sounds. Auto set mode indicator is on. Auto set mode starts.
2. When Auto set mode indicator is on, press the Auto set mode selector, and the buzzer sounds, the Auto set mode indicator is off, and Auto set mode closes.



#### Notice

- ▶ When the Auto set mode is on, the fridge temperature and the freezer temperature can not be selected. When the fridge selector or the freezer selector is pressed, Auto set mode indicator flashes with sounds reminding that the operation is not allowed. With the Auto set mode, if the fast cool, fast freeze or holiday function is selected, the Auto set mode is off, and Auto set mode automatically closes.

## 5.6. Holiday mode

Holiday mode is designed for the situation that the refrigerator will not be used for long time. When the holiday mode is on, the freezer temperature can be selected, while the fridge temperature is automatically set as 17°C, which avoids any odor due to high temperature in fridge compartment, and also saves energy consumption.

1. When the control panel is unlocked, press the "Holiday mode selector", and the buzzer sounds, Holiday Function indicator is on. Holiday mode starts.
2. When Holiday mode indicator is on, press the Holiday Function selector, and the buzzer sounds, the Holiday mode indicator is off, and Holiday mode closes.



### Notice

- ▶ When the Holiday mode is on, the fridge temperature can not be selected. When the fridge selector is pressed, Holiday mode indicator flashes with sounds reminding that the operation is not allowed. Before the holiday mode is selected, please empty the fridge compartment to avoid any food deterioration. With the holiday mode on, the intelligence function and fast cool can not be simultaneously selected. If intelligence mode or fast cool is selected, the holiday mode indicator is off and the function automatically closes.

## 5.7. Super-Cool mode

1. When the control panel is unlocked, press the "Fridge selector" for 3 seconds, and the buzzer make a buzzing sound, super cool indicator illuminates. Super-cool starts.
2. When super-cool indicator on, press the fridge selector for 3s, the buzzer make a sound, the super-cool indicator is off. Super cool mode closes
3. When the super-cool mode is on, the refrigerator will automatically switch to the super-cool mode off state after the super-cool mode reaches the set condition. If you want to exit manually, you can press the fridge selector for 3s to turn off the super-cool mode.



### Notice

- ▶ With the super-cool function on, the Fuzzy mode and holiday mode can not be simultaneously selected. If Fuzzy mode or holiday mode is selected, the super-cool indicator is off and the super-cool automatically closes.

### 5.8. Super-Freeze Mode

1. When the control panel is unlocked, press the Super-freeze selector, and the buzzer sounds, the Super-freeze indicator illuminates. Super-freeze mode starts.
2. With Super-freeze indicator on, press the Super-freeze selector, the buzzer sounds, the Super-freeze indicator is off. Super-freeze mode closes.
3. When the Super-freeze mode is on, the refrigerator will automatically switch to the Super-freeze mode off state after the Super-freeze mode reaches the set condition. If you want to exit manually, you can press the Super-freeze selector for 3s to turn off the Super freeze mode.



### Notice

- ▶ Super-freeze mode is designed to sustain the nutrients of the food in the freezer compartment, and the food is frozen within shortest time. If a large amount of food is to be frozen at one time, it is recommended to set the Super-freeze mode 24 hours in advance to reach to a lower temperature in the freezer compartment before the food is put in. Under this condition, the freezing speed in the freezer compartment is increased, and the food can be quickly frozen, thereby effectively locking the nutrition of the food and facilitating storage.
- In the Super freeze condition, if you want to choose the intelligence function, the Super freeze indicator is off, and the Super-freeze mode closes automatically.

### 5.9. Open door alarm

When the door opening time is too long or the door is not closed, the refrigerator will emit a drip alarm every time and then to remind you to close the door in time.

### 5.10. Energy-saving of control panel

No operation on the control panel for 30 seconds, the panel will be automatically off and enter into the locked state, which can save power. When the lock function button is pressed or any door is opened, the control panel will be illuminated.

### 5.11. Power failure memory function

When the refrigerator is powered off, the momentary working state of the power failure is memorized. After the power is connected again, the refrigerator continues to work according to the shift and functional status set before the power failure.

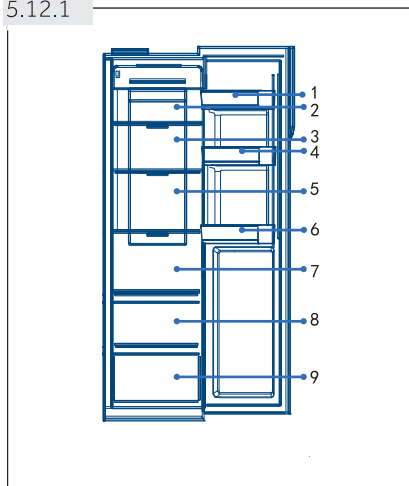
Attention: The lock function is not memorized. After the refrigerator is powered on again, the control panel starts self-checking, the lock function indicator is off, and the refrigerator is unlocked.

## 5.12 Tips on storing fresh food

### 5.12.1 Storing into the fridge compartment

- ▶ Keep your fridge temperature below 5°C.
- ▶ Hot food must be cooled to room temperature before storing in the appliance.
- ▶ Foods stored in the fridge should be washed and dried before storing
- ▶ Food to be stored should be properly sealed to avoid odour or taste alterations.
- ▶ Do not store excessive quantities of food. Leave spaces between foods to allow cold air flowing around them, for a better and more homogeneous cooling.
- ▶ Foods eaten daily should be stored at the front of the shelf.
- ▶ Leave a gap between foods and the inner walls, allowing air flowing. In special way don't store foods against the rear wall: foods could freeze against rear wall. Avoid direct contact of food (especially oily or acidic food) with the inner liner, as oil/acid can erode the inner liner. Clean away oily/acid dirt whenever it is found.
- ▶ Defreeze frozen food in the fridge storage compartment. This way, you can use the frozen food to decrease the temperature in the compartment and save energy.
- ▶ The ageing process of fruit and vegetables such as courgettes, melons, papaya, banana, pineapple, etc. can be accelerated in the fridge. Therefore, it is not advisable to store them in the fridge. However, the ripening of strongly green fruits can be promoted for a certain period. Onions, garlic, ginger and other root vegetables should also be stored at room temperature.
- ▶ Unpleasant odours inside the fridge are a sign that something has spilled and cleaning is required. See CARE AND CLEANING.
- ▶ Different foods should be placed in different areas according to their properties (Fig. 5.12.1 ):

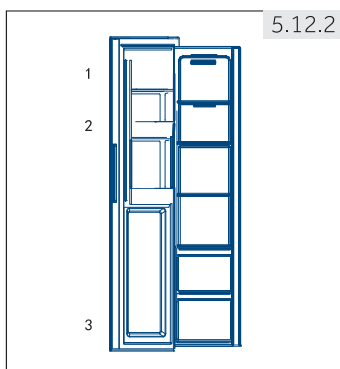
5.12.1



- 1 Butter, cheese, etc.
- 2 Pickled foods, canned food, etc.
- 3 Pickled foods, canned food, etc.
- 4 Cans, canned food, spices, etc.
- 5 Meat products, snack foods, etc.
- 6 Drinks and bottled foods.
- 7 Pasta, canned food, milk, tofu, dairy etc.
- 8 Fruits, vegetables, salad, etc
- 9 Cooked meat,sausages,etc

### 5.12.2 Storage into the freezer compartment

- ▶ Keep the freezer temperature at -18°C.
- ▶ 24 hours before freezing switch on the Super-Freeze function; -for small quantities of food 4-6 hours are sufficient.
- ▶ Hot food must be cooled to room temperature before storing in the freezer compartment.
- ▶ Food cut into small portions will freeze faster and be easier to defrost and cook. The recommended weight for each portion is less than 2.5 kg
- ▶ It is better to pack food before putting it into the freezer. The outside of the packaging must be dry to avoid bags sticking together. Packaging materials should be odour-free, airtight, non-poisonous and nontoxic.
- ▶ In order to avoid expiration of storage periods, please note the freezing date, time limit and name of the food on the packaging according to the storage periods of different foods.
- ▶ **WARNING!** Acid, alkali and salt etc. could erode the internal surface of the freezer. Do not place the food having these substances (e.g. sea fish) directly on the internal surface. Salt water in the freezer should be cleaned up immediately.
- ▶ Do not exceed the food storage times recommended by the manufacturers. Only take the required amount of food out of the freezer.
- ▶ Different foods should be placed in different areas according to their properties (Fig. 5.12.2):



- 1 Less weighty items, such as ice cream, vegetables, bread etc.
- 2 Beverage without high alcohol and temporary storage of spirits with a high alcohol content, small parts like Pizza or herbs.
- 3 Large/heavier portions of food, such as meats joints for roasting

**Notice: Storage**

- ▶ Please keep the distance more than 10 mm between the food placed and the sensor to ensure the cooling effect.
- ▶ Please keep the lowest drawer when the appliance working in order to ensure the cooling effect.
- ▶ The food with ice (like ice cream etc.) should be stored inside the freezer compartment instead of on the bottle holder, for the temperature changes at bottle holder caused by door opening and closing may thaw the food.
- ▶ Consume defrosted food quickly. Defrosted food cannot be re-frozen unless it is first cooked, otherwise it may be less edible.
- ▶ Do not load excessive quantities of fresh food in the freezer compartment. Refer to the freezing capacity of the freezer – See TECHNICAL DATA or data at the type plate.
- ▶ Food can be stored in the freezer at a temperature of at least -18°C for 2 to 12 months, depending on its properties (e.g., meat: 3-12 months, vegetables: 6-12 months)
- ▶ When freezing fresh food, avoid bringing it in contact with already frozen food. Risk of thawing!
- ▶ Defreeze frozen food in the fridge. This way, you can use the frozen food to decrease the temperature in the compartment and save energy.

**5.12.3 When storing commercially frozen foods, please follow these guidelines:**

- ▶ Always follow manufacturers' guidelines for the length of time you should store food for. Do not exceed these guidelines!
- ▶ Try to keep the length of time between purchase and storage as short as possible to preserve food quality.
- ▶ Buy frozen foods, which have been stored at a temperature of -18 °C or below.
- ▶ Avoid buying food which has ice or frost on the packaging – This indicates that the products might have been partially defrosted and refrozen at some point – temperature rises affect the quality of food.



### 5.13 Water dispenser (HSR3918EWP\*)

With the water dispenser cool drinking water can be tapped.  
The water tank should be cleaned before first use (see CARE AND CLEANING).

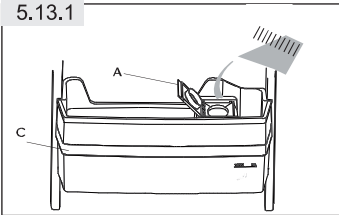
#### 5.13.1 Filling the water tank



### WARNING!

Use drinking water only.

#### 5.13.1



1. Ensure that the water tank is properly inserted (see EQUIPMENT)
2. Open the cap (A) and pour fresh drinking water into the water tank (Fig. 5.13.1)
3. Fill water only up to the mark (2.5 l); as it could overflow when the door opens and closes.
4. Close the cap (A) completely.

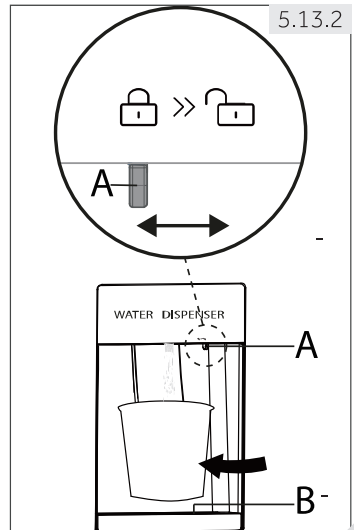


### Notice: Water dispenser

- ▶ Before refilling dispose residual water and clean the water tank.
- ▶ When you don't need water for a long time, please empty the water tank and insert the cleaned tank.
- ▶ The cover (C) on the water tank (Fig. 5.13.1) is additionally used to save energy. If you do not want to get water from the water dispenser for a long period, please still install the cover because of better insulating and saving energy.

#### 5.13.2 Getting water from the dispenser

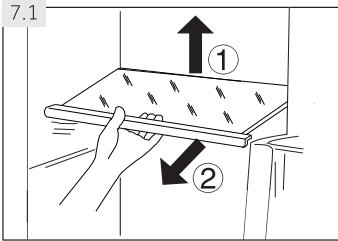
1. Ensure the lock (A) is moved to "Unlock" (Fig. 5.13.2).
2. Place a glass underneath the water outlet.
3. Push it gently against the water dispenser lever with your glass.  
Make sure the glass is in line with the dispenser to prevent the water from splashing out.
4. Water in the tray (B) should be removed in time, as it could overflow when the door opens and closes.
5. Slide the lock (A) to position "Lock"





### Energy saving tips

- ▶ Make sure the appliance is properly ventilated (see INSTALLATION).
- ▶ Do not install the appliance in direct sunlight or in the near of heat sources (e.g. stoves, heaters).
- ▶ Avoid unnecessarily low temperature in the appliance. The energy consumption increases the lower the temperature in the appliance is set.
- ▶ Functions like Super-Cool or Super-Freeze consume more energy.
- ▶ Allow warm food to cool down before placing it in the appliance.
- ▶ Open the appliance door as little and as briefly as possible.
- ▶ Do not overfill the appliance to avoid obstructing the air flow.
- ▶ Avoid air within the food packaging.
- ▶ Keep door seals clean so that the door always closes correctly.
- ▶ Defreeze frozen food in the fridge storage compartment.



### 7.1 Adjustable shelves

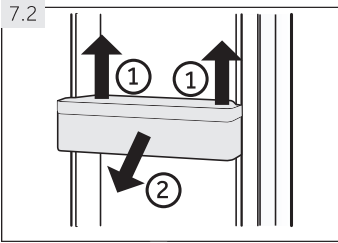
The height of the shelves can be adjusted to fit your storage needs.

1. To relocate a shelf, remove it first by uplifting its hind edge (1) and pulling it out (2) (Fig. 7.1).
2. To reinstall it, put it on the lugs on both sides and push it to the most rearward position until the rear of the shelf is fixed inside the slots in the sides



### Notice: Shelves

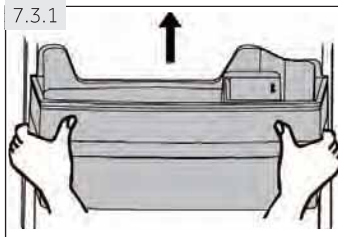
Ensure that all ends of a shelf are level.



### 7.2 Removable door racks/bottle holder

The door racks/bottle holder can be removed for cleaning:

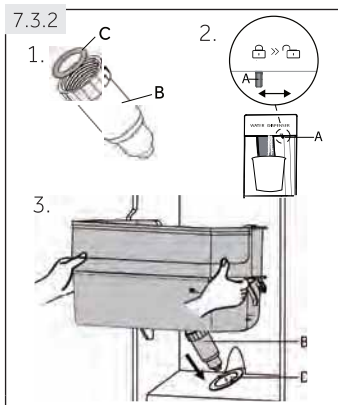
1. Place hands on each side of the rack/holder and lift it upwards (1) (Fig. 7.2).
2. Pull the door rack/bottle holder out (2).
3. In order to insert the door rack/bottle holder, the above steps are carried out in reverse order.



### 7.3 Water tank ( HSR3918EWP\*)

#### 7.3.1 Remove water tank

The water tank can be removed and reinstalled for cleaning in the same way as the door racks (Fig. 7.3.1).



#### 7.3.2 Insert water tank

1. Make sure the dispenser spout (B) is firmly screwed to the water tank and the white O-ring (C) is in position (Fig. 7.3.2-1.).
2. Slide the lock (A) to position "Lock" (Fig. 7.3.2-2.)
3. Place the water tank in the position that the dispenser spout (B) fits into the opening of the door (D) (Fig. 7.3.2-3.).



### Notice: Water tank

- ▶ If the water tank is not properly inserted, water can drip from the connection.
- ▶ Do not use excessive force when removing or installing the water tank, to avoid damaging the tank.

## 7.4 Bottle holder- freezer compartment

The bottle holders of the freezer compartment are intended for temporary storage of spirits with a high alcohol content. Beverage without high alcohol should be cooled in the fridge.

Additionally you can store small parts in the bottle holders.



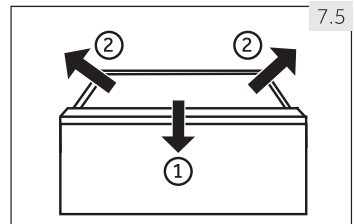
### WARNING!

Bottles and cans may burst! Set a timer that will remind you to remove bottles/cans without high alcohol content..

## 7.5 Removable drawer

To remove the drawer out of the fridge or freezer compartment pull out to the maximum extent (1), lift and remove (2) (Fig. 7.5).

In order to insert the drawer, the above steps are carried out in reverse order.



## 7.6 The Light

The LED interior light comes on when the door is opened. The performance of the lights is not affected by any of the appliances other settings.

**WARNING!**

Disconnect the appliance from the power supply before cleaning.

**8.1 Cleaning**

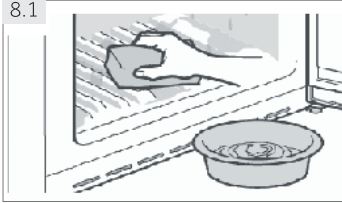
Clean the appliance when only little or no food is stored.

The appliance should be cleaned every four weeks for good maintenance and to prevent bad stored food odors.

**WARNING!**

- ▶ Do not clean the appliance with hard brushes, wire brushes, detergent powder, petrol, amyl acetate, acetone and similar organic solutions, acid or alkaline solutions. Please clean with special fridge detergent to avoid damage.
- ▶ Do not spray or flush the appliance during cleaning.
- ▶ Do not use water spray or steam to clean the appliance.
- ▶ Do not clean the cold glass shelves with hot water. Sudden temperature change may cause the glass to break .
- ▶ Do not touch the inside surface of the freezer storage compartment, especially with wet hands, as your hands may freeze onto the surface.
- ▶ In case of heating check the condition of frozen goods.

8.1




- ▶ Always keep the door gasket clean.
- ▶ Clean the inside and housing of the appliance with a sponge dampened in warm water and neutral detergent (Fig. 8.1).

1. Please scrub the interior and exterior of the refrigerator, including door sealing, door rack, glass shelves, boxse and so on, with a soft towel or sponge dipped in warm water (you may add neu-tral detergent into the warm water).
  2. If there is liquid spilled, remove all the contaminated parts, directly rinse with the flow water, dry and place it back into the fridge.
  3. If there is spilled cream (such as the cream, melting ice cream), please remove all the contaminated parts, put into the warm water with about 40 °C for some time, then rinse with the flow water, dry and place it back into the fridge.
  4. In case some small part or component gets stucked inside of the fridge (between shelves or drawers), use small soft brush to release it. If you could not reach the part, please contact Haier service.
- ▶ Rinse and dry with soft cloth.
  - ▶ Do not clean any of the parts of the appliance in a dishwasher.
  - ▶ Allow at least 5 minutes before restarting the appliance as frequent starting may damage the compressor.

**Defrosting**

The defrosting of the refrigerator and the freezer compartment are done automatically; no manual operation is needed.

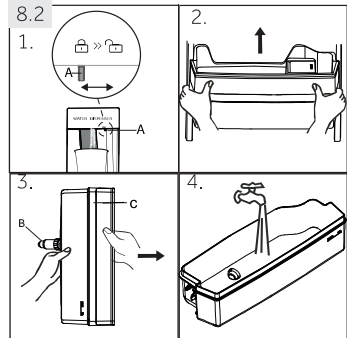
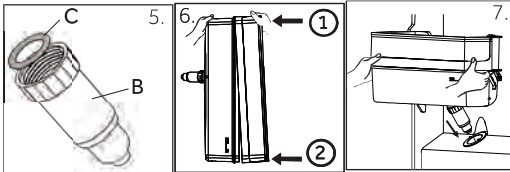
**8.2 Cleaning the water tank (Fig. 8.2) (HSR3918EWP\*)**

1. Slide the lock (A) to position  "Lock".

# 8- Care and cleaning

GB

2. Take off the water tank out of the appliance.
3. Remove the cover (C) and unscrew the dispenser spout (B) gently.
4. Clean the water tank and the dispenser spout with warm running water and liquid dishwashing detergent. Make sure all soap is rinsed off.
5. Mount the dispenser spout (B) and take care that it is firmly screwed to the water tank and the white O-ring (C) is in position.
6. Press the cover to combine it with one side of the water tank and then the other side, check water tank and cover is assembled completely.
7. Replace the tank inside the appliance. Make sure the dispenser spout is correctly inserted into the hole of the door.



## 8.3 Replacing the LED-lamps



### WARNING!

Do not replace the LED lamp yourself, it must only be replaced by either the manufacturer or the authorised service agent.

The lamps adopts LED as its light source, featuring low energy consumption and long service life. If there is any abnormality, please contact the customer service. See CUSTOMER SERVICE.

Parameters of the lamps: : 12 V max 3 W.

## 8.4 Non-use for a longer period

If the appliance is not used for an extended period of time, and you will not use the Holiday-function for the fridge:

- ▶ Take out the food.
- ▶ Empty and clean the water tank.
- ▶ Unplug the power cord.
- ▶ Clean the appliance as described above.
- ▶ Keep the doors open to prevent the creation of bad odours inside.



### Notice: Switch off

Turn the appliance off only if strictly necessary.

## 8.5 Moving the appliance

1. Remove all food and unplug the appliance.
2. Secure shelves and other moveable parts in the fridge and the freezer with adhesive tape.
3. Do not tilt the appliance more than 45° to avoid damaging the refrigerating system.



### WARNING!

- ▶ Do not lift the appliance by its handles.
- ▶ Never place the appliance horizontally on the ground.

Many occurring problems could be solved by yourself without specific expertise. In case of a problem please check all shown possibilities and follow below instructions before you contact an after sales service. See CUSTOMER SERVICE.



### WARNING!

- ▶ Before maintenance, deactivate the appliance and disconnect the mains plug from the mains socket.
- ▶ Electrical equipment should be serviced only by qualified electrical experts, because improper repairs can cause considerable consequential damages.
- ▶ A damaged supply should only be replaced by the manufacturer, its service agent or similarly qualified persons in order to avoid a hazard.

## 9.1 Troubleshooting table

| Problem  | Possible Cause   | Possible Solution  |
|--|--|--|
| The compressor does not work.  | <ul style="list-style-type: none"> <li>• Mains plug is not connected in the mains socket.</li> <li>• The appliance is in the defrosting cycle.</li> </ul>  | <ul style="list-style-type: none"> <li>• Connect the mains plug.</li> <li>• This is normal for an automatic defrosting.</li> </ul>   |
| The appliance runs frequently or runs for a too long period of time. | <ul style="list-style-type: none"> <li>• The indoor or outdoor temperature is too high.</li> <li>• The appliance has been off power for a period of time.</li> <li>• A door of the appliance is not tightly closed.</li> <li>• The door has been opened too frequently or for too long.</li> <li>• The temperature setting for the freezer compartment is too low.</li> <li>• The door gasket is dirty, worn, cracked or mismatched.</li> <li>• The required air circulation is not guaranteed.</li> </ul> | <ul style="list-style-type: none"> <li>• In this case, it is normal for the appliance to run longer.</li> <li>• Normally, it takes 8 to 12 hours for the appliance to cool down completely.</li> <li>• Close the door and ensure the appliance is located on a level ground and there is no food or container jarring the door.</li> <li>• Do not open the door too frequently.</li> <li>• Set the temperature higher until a satisfactory refrigerator temperature is obtained. It takes 24 hours for the refrigerator temperature to become stable.</li> <li>• Clean the door gasket or replace them by the customer service.</li> <li>• Ensure adequate ventilation.</li> </ul> |
| The inside of the fridge is dirty and/ or smells.                    | <ul style="list-style-type: none"> <li>• The inside of the fridge needs cleaning.</li> <li>• Food of strong odour is stored in the fridge.</li> </ul>  | <ul style="list-style-type: none"> <li>• Clean the inside of the fridge.</li> <li>• Wrap the food thoroughly.</li> </ul>   |

# 9- Troubleshooting

GB

| Problem   | Possible Cause   | Possible Solution   |
|---|--|---|
| It is not cold enough inside the appliance.                               | <ul style="list-style-type: none"> <li>The temperature is set too high.</li> <li>Too warm goods has been stored.</li> <li>Too much food has been stored at one time.</li> <li>The goods are too close to each other.</li> <li>A door of the appliance is not tightly closed.</li> <li>The door has been opened too frequently or for too long.</li> </ul>        | <ul style="list-style-type: none"> <li>Reset the temperature.</li> <li>Always cool down goods before storing them.</li> <li>Always store small quantities of food.</li> <li>Leave a gap between several foods allowing air flowing.</li> <li>Close the door.</li> <li>Do not open the door too frequently.</li> </ul>   |
| It is too cold inside the appliance.                                      | <ul style="list-style-type: none"> <li>The temperature is set too low.</li> <li>The Super-Cool / Super-Freeze function is activated or is running too long.</li> </ul>   | <ul style="list-style-type: none"> <li>Reset the temperature.</li> <li>Switch off the Super-Cool / Super-Freeze function.</li> </ul>  |
| Moisture formation on the inside of the fridge compartment.               | <ul style="list-style-type: none"> <li>The climate is too warm and too damp.</li> <li>A door of the appliance is not tightly closed.</li> <li>The door has been opened too frequently or for too long.</li> <li>Food containers or liquids are left open.</li> </ul>   | <ul style="list-style-type: none"> <li>Increase the temperature.</li> <li>Close the door.</li> <li>Do not open the door too frequently.</li> <li>Let hot foods cool to room temperature and cover foods and liquids.</li> </ul>   |
| Moisture accumulates on the fridges outside surface or between the doors. | <ul style="list-style-type: none"> <li>The climate is too warm and too damp.</li> <li>The door is not closed tightly. The cold air in the appliance and the warm air outside it condensates.</li> </ul>  | <ul style="list-style-type: none"> <li>This is normal in damp climate and will change when the humidity decreases.</li> <li>Ensure that the door is tightly shut.</li> </ul>  |
| Strong ice and frost in the freezer compartment.                          | <ul style="list-style-type: none"> <li>The goods were not adequately packaged.</li> <li>A door/drawer of the appliance is not tightly closed.</li> <li>The door has been opened too frequently or for too long.</li> <li>The door gasket is dirty, worn, cracked or mismatched.</li> <li>Something on the inside prevents the door to close properly.</li> </ul> | <ul style="list-style-type: none"> <li>Always pack the goods well.</li> <li>Close the door/drawer.</li> <li>Do not open the door too frequently.</li> <li>Clean the door gasket or replace them by new ones.</li> <li>Reposition the shelves, door racks, or internal containers to allow the door to close.</li> </ul> |
| The appliance makes abnormal sounds.                                      | <ul style="list-style-type: none"> <li>The appliance is not located on level ground.</li> <li>The appliance touches some object around it.</li> </ul>  | <ul style="list-style-type: none"> <li>Adjust the feet to level the appliance.</li> <li>Remove objects around the appliance.</li> </ul>   |



| Problem   | Possible Cause   | Possible Solution   |
|---|--|---|
| A slight sound is to be heard similar to that of flowing water. | <ul style="list-style-type: none"> <li>This is normal.</li> </ul>  | <ul style="list-style-type: none"> <li>-</li> </ul>   |
| You will hear an alarm beep.                                    | <ul style="list-style-type: none"> <li>The door is open.</li> </ul>  | <ul style="list-style-type: none"> <li>Close the door.</li> </ul>   |
| You will hear a faint hum.                                      | <ul style="list-style-type: none"> <li>The anti-condensation system is working.</li> </ul>   | <ul style="list-style-type: none"> <li>This prevents condensation and is normal.</li> </ul>   |
| The interior lighting or cooling system does not work.          | <ul style="list-style-type: none"> <li>Mains plug is not connected in the mains socket.</li> <li>The power supply is not intact.</li> <li>The LED-lamp is out of order.</li> </ul> | <ul style="list-style-type: none"> <li>Connect the mains plug.</li> <li>Check the electrical supply to the room. Call the local electricity company!</li> <li>Please call the service for changing the lamp.</li> </ul> |
| The sides of the cabinet and door strip get warm.               | <ul style="list-style-type: none"> <li>This is normal.</li> </ul>  | <ul style="list-style-type: none"> <li>-</li> </ul>   |
| No water is coming out of the water dispenser spout             | <ul style="list-style-type: none"> <li>Lock is not deactivated.</li> </ul>   | <ul style="list-style-type: none"> <li>Deactivate the lock.</li> </ul>  |

## 9.2 Power interruption

In the event of a power cut, food should remain safely cold for about 5 hours. Follow these tips during a prolonged power interruption, especially in summer:

- ▶ Open the door/drawer as few times as possible.
- ▶ Do not put additional food into the appliance during a power interruption.
- ▶ If prior notice of a power interruption is given and the interruption duration is longer than 5 hours, make some ice and put it in a container in the top of the fridge compartment.
- ▶ An inspection of the goods is required immediately after the interruption.
- ▶ As temperature in the fridge will rise during a power interruption or other failure, the storage period and edible quality of food will be reduced. Any food that defrosts should be either consumed, or cooked and refrozen (where suitable) soon afterwards in order to prevent health risks.



### Notice: Memory function during power interruption

After restoration of power the appliance continues with the settings that were set before the power failure.

## 10.1 Unpacking

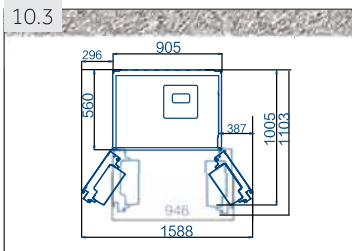


### WARNING!

- ▶ The appliance is heavy. Always handle with at least two persons.
- ▶ Keep all packaging materials out of children's reach and dispose them in an environmentally friendly manner.
- ▶ Take the appliance out of the packaging.
- ▶ Remove all packaging materials including the transparent protective film.

## 10.2 Environmental conditions

The room temperature should always be between 16° C and 43° C, since it can influence the temperature inside the appliance and its energy consumption. Do not install the appliance near other heat-emitting appliances (ovens, fridges) without isolation.

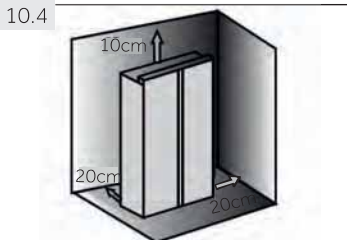


## 10.3 Space requirement

Required space when door is opened (Fig. 10.3):

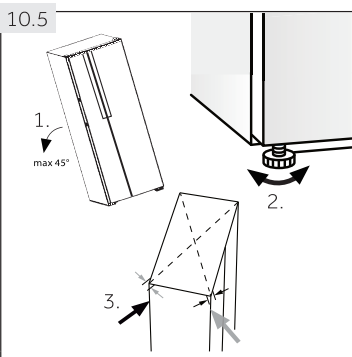
Appliance width: 1588mm

Appliance depth: 1103mm



## 10.4 Ventilaton cross-section

To achieve sufficient ventilation of the appliance for safety reasons, the information of the required ventilation cross sections must be observed (Fig. 10.4)..



## 10.5 Aligning the appliance

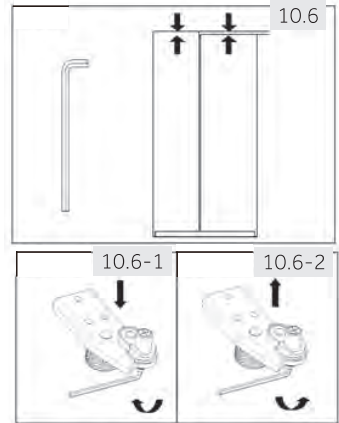
The appliance should be placed on a flat and solid surface.

1. Tilt the appliance slightly backwards (Fig. 10.5).
2. Set the feet to the desired level.
  - Make sure the distance to the wall on the hinge sides is at least 5 cm.
3. The stability can be checked by alternately bumping on the diagonals. The slightly swaying should be the same in both directions. Otherwise the frame can warp; possible leaking door seals are the result. A low tendency to the rear facilitates the closing of the doors.

### 10.6 Fine tuning of the doors

If the doors are still not in one level after levelling the doors by the feet, this mismatch can be remedied by turning the hinge lifting shaft at the right bottom corner of refrigerating door with a spanner (Fig. 10.6)

- ▶ Clockwise turn lifting shaft with spanner to lower door height (Fig. 10.6-1).
- ▶ Anticlockwise turn lifting shaft with spanner to lift door height (Fig. 10.6-2).

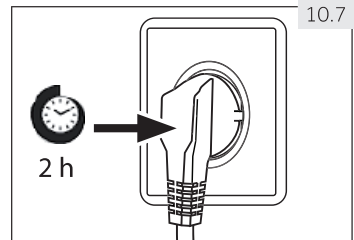


### WARNING!

Do not adjust the hinge lifting shaft excessively to a height which might cause the shaft to leave its original locked position. (Adjustable height range: 3 mm)

### 10.7 Waiting time

To the maintenance-free lubrication oil is located in the capsule of the compressor. This oil can get through the closed pipe system during slanting transport. Before connecting the appliance to the power supply you have to wait at least 2 hours (Fig.10.7) so that the oil runs back into the capsule.



### 10.8 Electrical connection

Before each connection check if:

- ▶ power supply, socket and fusing are appropriate to the rating plate.
- ▶ the power socket is earthed and no multi-plug or extension.
- ▶ the power plug and socket are strictly according.

Connect the plug to a properly installed household socket.



### WARNING!

To avoid risks a damaged power cord must be replaced by the customer service (see warranty card).

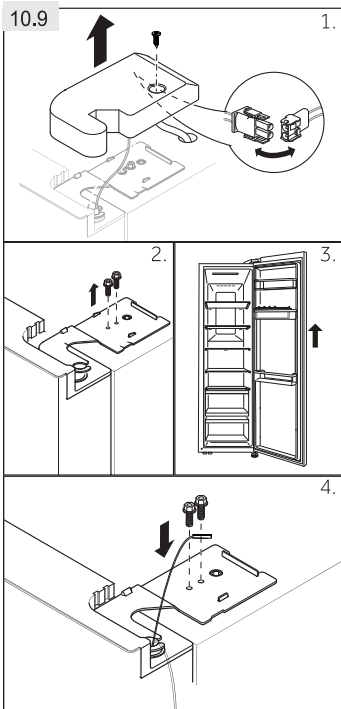
## 10.9 Removing and installing the doors and installation instructions below (Fig. 10.9).

In the event that you need to remove the appliance doors, please follow the door removal and installation instructions below (Fig. 10.9)



### WARNING!

- ▶ Before any operation, deactivate the appliance and disconnect the mains plug from the mains socket.
- ▶ The appliance is heavy. Always handle with at least two persons.
- ▶ Do not tilt the appliance more than 45° or place it horizontally on the ground



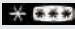
1. Undo the hinge cover screw and remove the cover. Release the cable connector.
2. Undo the screws holding the upper hinge in position and then remove the hinge.
3. Lift the fridge compartment door to remove it.
4. Refit the door by reversing the removal steps. Ensure that the grounding cable will be fixed by the screw.



### Notice: Fridge door

The pictures show the removing of the fridge compartment door. For the freezer door please use the corresponding parts on the other side

### 11.1 Product fiche according to regulation EU No. 1060/2010

|  |   |
|--|---|
| Trade mark   | Haier   |
| Model identifier   | HSR3918FNP*   |
| Category of the model  | Refrigerator-freezer  |
| Energy efficiency class  | A+  |
| Annual energy consumption (kWh/year) <sup>1)</sup>   | 399   |
| Storage volume cooling (L)   | 337   |
| Storage volume freezing (L) ****   | 167   |
| Star rating  |  |
| Temperature of other compartments > 14°C   | Non applicable  |
| Frostfree system   | Yes   |
| Temperature rise time (h)  | 5   |
| Freezing capacity(kg/24h)  | 10  |
| Climate class<br>This appliance is intended to be used at an ambient temperature between 10 °C and 43°C. | SN-N-ST-T   |
| Airborne acoustical noise emissions<br>(db(A) re 1pW)  | 38  |
| Construction type  | Freestanding  |

based on standard test results for 24 hours. Actual energy consumption will depend on how the appliance is used and where it is located.

#### 11.1.1 Additional technical data

|                          |                  |
|--------------------------|------------------|
| Voltage / Frequency      | 220-240V ~/ 50Hz |
| Input power (W)          | 200              |
| Main fuse (A)            | 15               |
| Coolant                  | R600a            |
| Dimensions (H/W/D in mm) | 1775/908/647     |

#### 11.1.2 Standards and directives

This product meets the requirements of all applicable EC directives with the corresponding harmonised standards, which provide for CE marking.

## 12- Customer service

GB

We recommend our Haier Customer Service and the use of original spare parts.  
If you have a problem with your appliance, please first check section TROUBLESHOOTING.

If you cannot find a solution there, please contact

- ▶ your local dealer or
- ▶ the Service & Support area at [www.haier.com](http://www.haier.com) where you can find telephone numbers and FAQs and where you can activate the service claim.

To contact our Service, ensure that you have the following data available.  
The information can be found on the rating plate.

Model \_\_\_\_\_ Serial No. \_\_\_\_\_

Also check the Warranty Card supplied with the product in case of warranty.



**Haier**



0060524101F





# Bedienungsanleitung

Kühlschrank - Gefrierschrank

**HSR3918ENP\***

**HSR3918EWP\***

**HSR3918FNP\***

**\*=W,B,L,G,N**

DE

**Haier**

## Vielen Dank für den Kauf eines Haier-Produktes.

Bitte lesen Sie diese Anleitung sorgfältig durch, bevor Sie dieses Gerät benutzen. Die Anleitung enthält wichtige Informationen, die Ihnen helfen, das Gerät optimal zu nutzen und eine sichere und ordnungsgemäße Installation, Nutzung und Wartung zu gewährleisten.

Bewahren Sie dieses Handbuch an einem geeigneten Ort auf, damit Sie für den sicheren und ordnungsgemäßen Gebrauch des Geräts immer darin nachschlagen können.

Wenn Sie das Gerät verkaufen, verschenken oder bei einem Umzug zurücklassen, geben Sie unbedingt auch dieses Handbuch mit, damit sich der neue Besitzer mit dem Gerät und den Sicherheitshinweisen vertraut machen kann.

### Zeichenerklärung

Warnung- Wichtige Sicherheitsinformationen



Allgemeine Informationen und Tipps



Umweltinformationen



### Entsorgung

Helfen Sie mit, die Umwelt und die menschliche Gesundheit zu schützen. Entsorgen Sie die Verpackung in einem geeigneten Sammelbehälter zur Wiederverwertung. Helfen Sie mit, die Reste von elektrischen und elektronischen Geräten zu recyceln. Mit diesem Symbol gekennzeichnete Geräte dürfen nicht über den Hausmüll entsorgt werden. Bringen Sie das Produkt zu Ihrer örtlichen Recycling-Stelle zurück oder wenden Sie sich an die zuständige Behörde.



### WARNUNG!

#### Verletzungs- oder Erstickengefahr!

Kältemittel und Gase müssen fachgerecht entsorgt werden. Vergewissern Sie sich, dass die Leitungen des Kältemittelkreislaufs nicht beschädigt sind, bevor Sie das Gerät ordnungsgemäß entsorgen. Trennen Sie das Gerät von der Netzspannung ab. Trennen Sie das Netzkabel ab und entsorgen Sie es. Entfernen Sie die Fächer und Schubladen sowie die Türverriegelung und die Dichtungen, um zu verhindern, dass Kinder und Haustiere im Gerät eingeschlossen werden.

Alte Geräte haben noch einen gewissen Restwert. Durch ein umweltfreundliches Entsorgungsverfahren wird sichergestellt, dass wertvolle Rohstoffe wieder gewonnen und verwendet werden.

Cyclopentan, ein brennbarer, nicht ozonschädlicher Stoff, wird als Treibmittel für den Isolierschaum verwendet.

Indem Sie sicherstellen, dass dieses Produkt korrekt entsorgt wird, tragen Sie dazu bei, potenzielle negative Folgen für die Umwelt und die menschliche Gesundheit zu vermeiden.

Ausführlichere Informationen über das Recycling dieses Produkts erhalten Sie bei der zuständigen Behörden, dem Abfallbeseitigungsdienstleister oder in dem Geschäft, in dem Sie das Produkt gekauft haben.

|                                     |    |
|-------------------------------------|----|
| 1- Sicherheitshinweise.....         | 4  |
| 2- Bestimmungsgemäßer Gebrauch..... | 8  |
| 3- Produktbeschreibung .....        | 10 |
| 4- Bedienfeld.....                  | 11 |
| 5- Verwendung.....                  | 12 |
| 6- Tipps zum Energiesparen .....    | 20 |
| 7- Ausrüstung.....                  | 21 |
| 8- Pflege und Reinigung .....       | 23 |
| 9- Fehlerbehebung .....             | 26 |
| 10- Installation .....              | 30 |
| 11- Technische Daten.....           | 34 |
| 12- Kundenservice .....             | 35 |

Lesen Sie vor dem ersten Einschalten des Gerätes die folgenden Sicherheitshinweise!



## WARNUNG!

### Vor dem erstmaligen Gebrauch

- ▶ Stellen Sie sicher, dass keine Transportschäden vorliegen.
- ▶ Entfernen Sie alle Verpackungen und bewahren Sie sie außerhalb der Reichweite von Kindern auf.
- ▶ Warten Sie mindestens zwei Stunden vor der Installation des Geräts, um sicherzustellen, dass der Kältemittelkreislauf voll effizient ist.
- ▶ Bewegen Sie das Gerät immer mit mindestens zwei Personen, da es schwer ist.

### Montage

- ▶ Das Gerät sollte an einem gut belüfteten Ort aufgestellt werden. Achten Sie auf einen Abstand von mindestens 20 cm über und 10 cm um das Gerät herum.
- ▶ Stellen Sie das Gerät niemals in einem feuchten Raum oder an einem Ort auf, wo es Wasserspritzern ausgesetzt sein könnte. Beseitigen und trocknen Sie Wasserspritzer und Flecken mit einem weichen, sauberen Tuch.
- ▶ Installieren Sie das Gerät nicht in direktem Sonnenlicht oder in der Nähe von Wärmequellen (z. B. Öfen, Heizungen).
- ▶ Installieren und nivellieren Sie das Gerät in einem Bereich, der für seine Größe und Verwendung geeignet ist.
- ▶ Halten Sie die Lüftungsöffnungen im Gerät oder in der Innenstruktur frei durchgängig.
- ▶ Stellen Sie sicher, dass die elektrischen Angaben auf dem Typenschild mit der Stromversorgung übereinstimmen. Wenn dies nicht der Fall ist, wenden Sie sich an einen Elektriker.
- ▶ Das Gerät wird mit einer Stromversorgung von 220-240 VAC/50 Hz betrieben. Eine anormale Spannungsschwankung kann dazu führen, dass das Gerät nicht anspringt, die Temperaturregelung oder der Kompressor beschädigt werden oder ein ungewöhnliches Betriebsgeräusch auftritt. In diesem Fall ist ein automatischer Regler zu montieren.
- ▶ Verwenden Sie für die Stromversorgung eine separate, leicht zugängliche Schutzkontaktsteckdose. Das Gerät muss geerdet werden.
- ▶ **Nur für Großbritannien:** Das Netzkabel des Geräts ist mit einem 3-adrigen (geerdeten) Stecker ausgestattet, der in eine normale 3-adrige (geerdete) Steckdose passt. Schneiden Sie niemals den dritten Stift ab oder demontieren Sie ihn (Erdung). Nachdem das Gerät installiert ist, sollte der Stecker zugänglich sein.
- ▶ Verwenden Sie keine Multistecker-Adapter und Verlängerungskabel.
- ▶ Stellen Sie sicher, dass das Stromkabel nicht vom Gerät eingeklemmt wird. Treten Sie nicht auf das Stromkabel.
- ▶ Beschädigen Sie keinesfalls den Kühlkreislauf.
- ▶ **Es dürfen keine Mehrfachsteckdosen oder tragbare Netzteile auf der Rückseite des Geräts positioniert werden.**



## WARNUNG!

### Täglicher Gebrauch

- ▶ Dieses Gerät darf von Kindern ab 8 Jahren und Personen mit eingeschränkten körperlichen, sensorischen oder geistigen Fähigkeiten oder ohne Erfahrung und Wissen nur benutzt werden, wenn sie beaufsichtigt werden oder Anweisungen für den sicheren Gebrauch des Geräts erhalten und die damit verbundenen Gefahren verstanden haben.
- ▶ Kinder im Alter von 3 bis 8 Jahren dürfen Kühlgeräte be- und entladen, nicht aber die Kühlgeräte reinigen und installieren.
- ▶ Halten Sie Kinder unter 3 Jahren von dem Gerät fern, wenn sie nicht ständig beaufsichtigt werden.
- ▶ Kinder dürfen das Gerät nur unter Beaufsichtigung reinigen und instand halten.
- ▶ Kinder dürfen keinesfalls mit dem Gerät spielen.
- ▶ **Das Gerät muss so aufgestellt werden, dass der Stecker zugänglich ist.**
- ▶ Falls in der Nähe des Gerätes Kühlgas oder ein anderes brennbares Gas austritt, schließen Sie das Ventil des austretenden Gases und öffnen Türen und Fenster. Ziehen Sie weder den Stecker dieses Gerätes oder eines anderen Gerätes ab.
- ▶ Beachten Sie, dass das Gerät für den Betrieb in **einem bestimmten Temperaturbereich zwischen 10 °C und 38 °C** eingerichtet ist. Das Gerät funktioniert möglicherweise nicht richtig, wenn es über einen längeren Zeitraum einer Temperatur über oder unter dem angegebenen Bereich ausgesetzt ist.
- ▶ Stellen Sie keine instabilen Gegenstände (schwere Gegenstände, **mit Wasser gefüllte Behälter**) auf das Gerät. **So vermeiden Sie Verletzungen** durch Herunterfallen oder elektrische Schläge infolge von Wasserkontakt.
- ▶ Ziehen Sie nicht an den Türfächern. Die Tür könnte sich neigen, das Flaschenregal könnte weggezogen werden oder das Gerät könnte umkippen.
- ▶ Öffnen und schließen Sie die Türen nur mit den Griffen. Der Spalt zwischen den Türen und zwischen Türen und Schrank ist sehr schmal. Halten Sie Ihre Hände nicht in diese Bereiche, um zu verhindern, dass Ihre Finger eingeklemmt werden. Öffnen oder schließen Sie die Türen nur dann, wenn sich keine Kinder im Türöffnungsbereich befinden.
- ▶ Lagern oder verwenden Sie keine brennbaren, explosiven oder korrosiven Materialien im Gerät oder in dessen Nähe.
- ▶ Lagern Sie keine Medikamente, Bakterien oder chemische Stoffe im Gerät. Dieses Gerät ist ein Haushaltsgerät. Es sollten keine Materialien gelagert werden, die exakte Temperaturen erfordern.
- ▶ Lagern Sie niemals Flüssigkeiten in Flaschen oder Dosen (außer hochprozentigen Spirituosen), insbesondere kohlenensäurehaltige Getränke, in der Tiefkühltruhe, da diese beim Einfrieren platzen.

**WARNUNG!****Täglicher Gebrauch**

- ▶ Überprüfen Sie den Zustand der Lebensmittel, wenn eine Erwärmung im Gefrierfach stattgefunden hat.
- ▶ Stellen Sie keine unnötig niedrige Temperatur im Kühlfach ein. Bei hohen Einstellungen können Minustemperaturen auftreten. Achtung: Flaschen können platzen.
- ▶ Gefriergut nicht mit nassen Händen berühren (Handschuhe tragen). Essen Sie insbesondere keine Eis am Stiel direkt nach der Entnahme aus dem Gefrierfach. Es besteht die Gefahr von Gefrierverletzungen. ERSTE HILFE: Sofort unter fließend kaltes Wasser halten. Nicht wegziehen!
- ▶ Berühren Sie während des Betriebs nicht die Innenfläche des Gefrierfachs, insbesondere nicht mit nassen Händen, weil Ihre Hände an der Oberfläche festfrieren könnten.
- ▶ Ziehen Sie bei einem Stromausfall oder vor dem Reinigen den Netzstecker. Warten Sie vor der Wiederinbetriebnahme des Geräts mindestens 5 Minuten, da ein zu häufiges Starten den Kompressor beschädigen kann.
- ▶ Verwenden Sie – abgesehen von der herstellereitigen Empfehlung – keine elektrischen Geräte in den Lebensmittel-Aufbewahrungsfächern des Geräts.
- ▶ Verwenden Sie Trinkwasser nur bei Modellen mit Wasserspender.

**Wartung/Reinigung.**

- ▶ Stellen Sie sicher, dass Kinder bei der Reinigung und Wartung beaufsichtigt werden.
- ▶ Trennen Sie das Gerät von der Stromversorgung ab, bevor Sie routinemäßige Wartungsarbeiten durchführen. Warten Sie vor der Wiederinbetriebnahme des Geräts mindestens 5 Minuten, da ein zu häufiges Starten den Kompressor beschädigen kann.
- ▶ Fassen Sie zum Abtrennen des Netzkabels immer am Stecker an; ziehen Sie nie am Kabel.
- ▶ Frost und Eis nicht mit scharfen Gegenständen abkratzen. Verwenden Sie keine Sprays, Elektroheizungen, Haartrockner, Dampfreiniger oder andere Wärmequellen, um Schäden an den Kunststoffteilen zu vermeiden.
- ▶ Benutzen Sie außer den vom Hersteller empfohlenen Mitteln keine mechanischen Geräte oder andere Hilfsmittel, um den Abtauvorgang zu beschleunigen.
- ▶ **Reinigen Sie das Gerät nicht mit harten Bürsten, Drahtbürsten, Reinigungsmittelpulver, Benzin, Amylacetat, Aceton und ähnlichen organischen Lösungen, Säuren oder Laugen. Bitte mit einem speziellen Reinigungsmittel für Kühlschränke reinigen, um Schäden zu vermeiden.**
- ▶ **Verwenden Sie gelegentlich warmes Wasser und Backpulverlösung – etwa einen Esslöffel Backpulver auf einen Liter/Quartal Wasser. Gründlich mit Wasser abspülen und trocken wischen. Verwenden Sie keine Reinigungspulver oder andere scheuernde Reinigungsmittel. Waschen Sie abnehmbare Teile nicht in der Spülmaschine.**



## **WARNUNG!**

### **Wartung / Reinigung**

- ▶ Ein beschädigtes Netzkabel muss vom Hersteller, dem zugelassenen Kundendienst oder ähnlichem Fachpersonal ausgewechselt werden, um Gefahren vorzubeugen.
- ▶ Versuchen Sie nicht, das Gerät selbst zu reparieren, zu demontieren oder zu modifizieren. Im Falle einer Reparatur wenden Sie sich bitte an unseren Kundendienst.
- ▶ Wenn die Beleuchtungslampen beschädigt sind, müssen sie vom Hersteller, seinem Servicevertreter oder ähnlichem Fachpersonal ersetzt werden, um eine Gefährdung zu vermeiden.
- ▶ Beseitigen Sie mindestens einmal im Jahr Staubansammlungen auf der Rückseite des Gerätes, um Brandgefahren und einen erhöhten Energieverbrauch zu vermeiden.
- ▶ Besprühen oder spülen Sie das Gerät während der Reinigung nicht.
- ▶ Verwenden Sie zur Reinigung des Geräts weder Wassersprühstrahl noch Dampf.
- ▶ Reinigen Sie die kalten Glasböden nicht mit heißem Wasser. Plötzliche Temperaturänderungen können zum Bruch des Glases führen.
- ▶ Wenn Sie Ihr Gerät für längere Zeit nicht benutzen, lassen Sie es offenstehen, um zu verhindern, dass sich im Inneren unangenehme Gerüche bilden.

### **Informationen zum Kältemittelgas**



## **WARNUNG!**

Das Gerät enthält das brennbare Kältemittel ISOBUTAN (R600a). Achten Sie darauf, dass der Kältemittelkreislauf während des Transports oder der Installation nicht beschädigt wird. Auslaufendes Kältemittel kann zu Augenverletzungen oder zur Entzündung führen. Wenn ein Schaden aufgetreten ist, halten Sie offene Feuerquellen fern, lüften Sie den Raum gründlich, stecken Sie weder das Netzkabel dieses noch eines anderen Geräts ein oder aus. Informieren Sie den Kundenservice.

Falls die Augen mit dem Kältemittel in Kontakt kommen, spülen Sie sie sofort unter fließendem Wasser aus und kontaktieren den Augenarzt.

**WARNUNG: Das Kühlsystem steht unter hohem Druck. Nehmen Sie keine Veränderungen daran vor. Da brennbare Kältemittel verwendet werden, installieren, behandeln und warten Sie das Gerät bitte strikt nach den Anweisungen. Wenden Sie sich an den Fachhändler oder unseren Kundendienst, um das Gerät zu entsorgen.**

## 2.1 Bestimmungsgemäßer Gebrauch

Dieses Gerät ist für den Einsatz im Haushalt und ähnliche Anwendungen vorgesehen, z. B.:

- Personalküchen in Geschäften, Büros und anderen Arbeitsumgebungen;
  - Bauernhäuser sowie Kunden in Hotels, Motels und anderen Wohnumgebungen;
  - Bed & Breakfast;
  - Catering und ähnliche Anwendungen außerhalb des Einzelhandels.
- Wenn das Gerät über einen längeren Zeitraum nicht benutzt wird und Sie nur die Urlaubsfunktion oder die Funktion „Kühlschrank aus“ für den Kühl-/Gefrierschrank verwenden:
- Nehmen Sie das Essen heraus
  - Ziehen Sie den Netzstecker
  - Leeren und reinigen Sie den Wassertank
  - Reinigen Sie das Gerät wie oben beschrieben
  - Halten Sie die Türen offen, um die Entstehung unangenehmer Gerüche im Inneren zu verhindern
- Um die sichere Lagerung von Lebensmitteln oder Wein zu gewährleisten, halten Sie sich bitte an diese Gebrauchsanweisung.
- Um eine Kontamination von Lebensmitteln zu vermeiden (gilt nicht für den Weinkeller), beachten Sie bitte die folgenden Hinweise:
- Ein längeres Öffnen der Tür kann zu einem erheblichen Temperaturanstieg in den Fächern des Gerätes führen.
  - Reinigen Sie regelmäßig Oberflächen, die mit Lebensmitteln in Berührung kommen können, sowie zugängliche Drainagesysteme.
  - Reinigen Sie die Wasserbehälter, falls sie 48 Stunden lang nicht benutzt wurden; spülen Sie das an einer Wasserleitung angeschlossene Wassersystem durch, falls 5 Tage lang kein Wasser eingespeist wurde.
  - Lagern Sie rohes Fleisch und Fisch in geeigneten Behältern im Kühl-/Gefrierschrank, damit sie nicht mit anderen Lebensmitteln in Kontakt kommen oder auf diese tropfen. Um die sichere Lagerung von Lebensmitteln zu gewährleisten, müssen Fertiggerichte und rohes Fleisch/Fisch getrennt gelagert werden.
  - Zwei-Sterne-Tiefkühlfächer eignen sich für die Lagerung von vorgefrorenen Lebensmitteln, die Lagerung oder Herstellung von Eiscreme und die Herstellung von Eiswürfeln.
  - Ein-, Zwei- und Drei-Sterne-Fächer sind nicht für das Einfrieren von frischen Lebensmitteln geeignet.
  - Falls das Kühlgerät über einen längeren Zeitraum leer bleibt, schalten Sie es aus, tauen es ab, reinigen und trocknen es, und lassen dann die Tür offen, um Schimmelbildung im Gerät zu vermeiden.
- Einzelheiten zu dem am besten geeigneten Bereich, in dem bestimmte Arten von Lebensmitteln unter Berücksichtigung der jeweiligen Temperaturverteilung gelagert werden sollten, finden Sie im anderen Handbucheil.



### Entsorgung

Das Symbol auf dem Produkt oder seiner Verpackung weist darauf hin, dass dieses Produkt nicht als Haushaltsabfall behandelt werden darf. Bringen Sie es stattdessen zu einer dafür vorgesehenen Sammelstelle für die Wiederaufbereitung von Elektro- und Elektronikartikeln. Indem Sie sicherstellen, dass dieses Produkt korrekt entsorgt wird, tragen Sie dazu bei, potenzielle negative Folgen für die Umwelt und die menschliche Gesundheit zu vermeiden. Weitergehende Informationen zur Behandlung, Rückgewinnung und Wiederaufbereitung erhalten Sie bei den zuständigen Behörden, dem Abfallbeseitigungsdienstleister oder der Verkaufsstelle.

Da brennbare Treibmittel zur Isolierung verwendet werden, wenden Sie sich bitte an den Fachhändler oder unseren Kundendienst, um das Gerät zu entsorgen.



### WARNUNG!

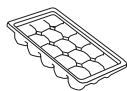
#### Verletzungsgefahr durch Ersticken!

Kältemittel und Gase müssen fachgerecht entsorgt werden. Achten Sie darauf, dass die Leitungen des Kältemittelkreislaufs unbeschädigt sind, bevor sie ordnungsgemäß entsorgt werden. Trennen Sie das Gerät vom Netz ab. Trennen Sie das Netzkabel ab und entsorgen Sie es. Entfernen Sie sowohl die Fächer und Schubladen als auch die Türverriegelung und die Dichtungen, um zu verhindern, dass Kinder und Haustiere im Gerät eingeschlossen werden.

Änderungen oder Modifikationen am Gerät sind nicht zulässig. Die nicht bestimmungsgemäße Benutzung kann zu Gefahren sowie zum Verlust von Garantieansprüchen führen.

## 2.2 Zubehör

Überprüfen Sie das Zubehör und die Unterlagen entsprechend dieser Liste (Abb. 2.2):



Eiswürfelschalen



Eierablage



Inbusschlüssel



Garantiekarte



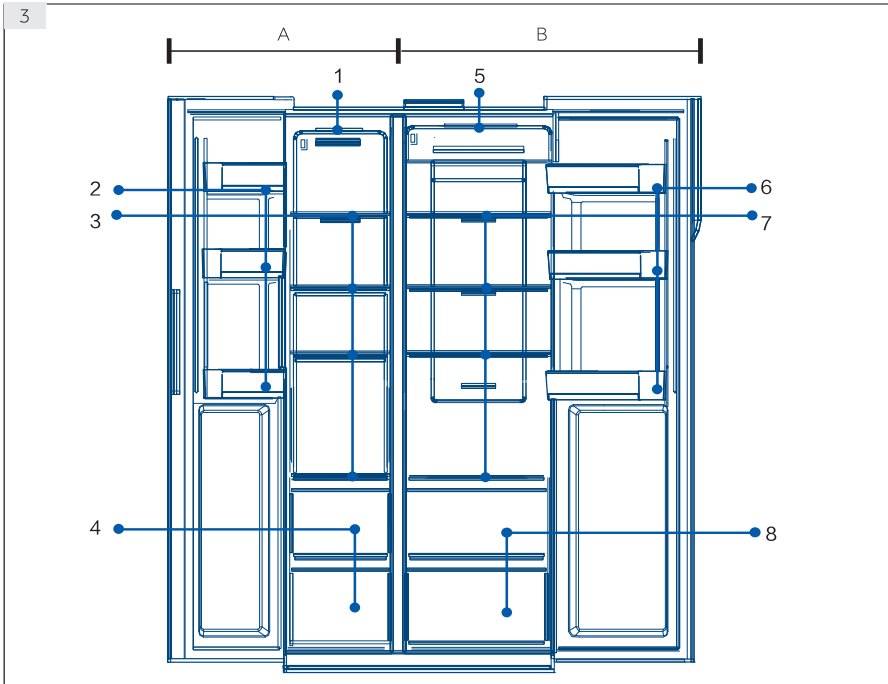
Benutzer-  
handbuch

2.2

### **i** Hinweis

Aufgrund technischer Änderungen und unterschiedlicher Modelle können einige der Abbildungen in diesem Handbuch von Ihrem Modell abweichen.

### Bilder von Geräten (Abb. 3)

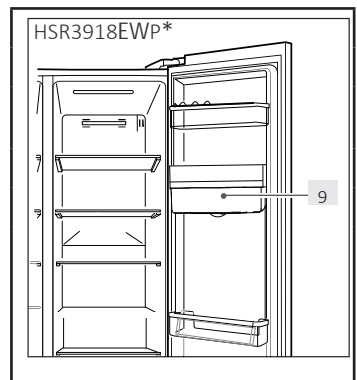


#### **A: Gefrierfach**

- 1 Deckenleuchte
- 2 Türablage/  
Flaschenhalter
- 3 Tiefkühlfächer
- 4 Gefrierfach

#### **B: Kühlschrankfach**

- 5 Deckenleuchte
- 6 Türablage/  
Flaschenhalter
- 7 Kühlfächer
- 8 Kühlfach
- 9 Wassertank



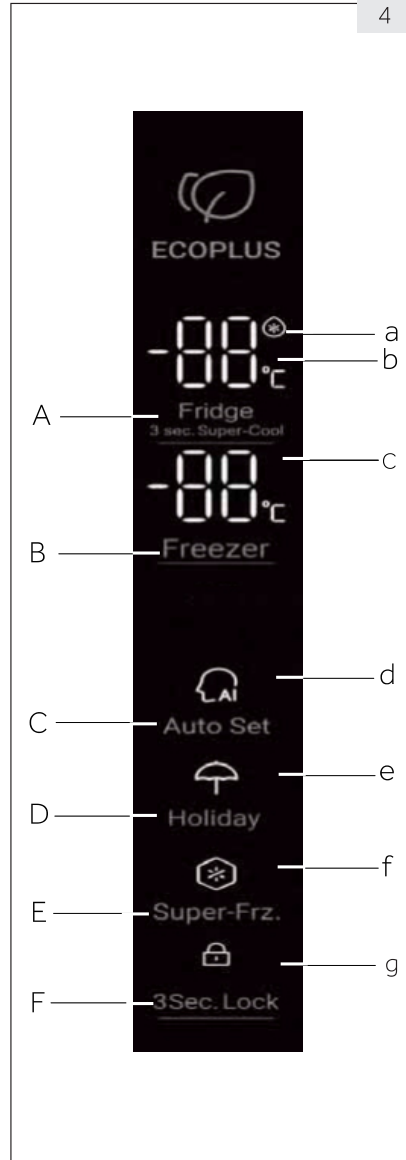
**Bedienfeld** (Abb. 4)

**Tasten:**

- A Kühlschranks-Wählschalter
- B Gefrierschrank-Wählschalter
- C Fuzzy-Modus
- D Urlaubsmodus
- E Super-Freeze-Modus
- F Wählschalter für Bedienfeldsperre

**Anzeigen:**

- a Super-Cool-Modus
- b Kühlschranktemperatur
- c Gefrierfachtemperatur
- d Fuzzy-Modus
- e Urlaubsmodus
- f Super-Freeze-Modus
- g Bedienfeldsperre



### 5.1 Erstinbetriebnahme

Wenn der Kühlschrank zum ersten Mal an die Stromversorgung angeschlossen wird, schaltet sich das Display ein. Die voreingestellte Temperatur für das Kühlfach beträgt 4 °C für das Gefrierfach -18 °C. Die Intelligenzfunktionslampe ist an.

### 5.2 Bedienfeld sperren/entsperren

#### Automatische Sperre:

Wenn die Kühlschranktür und die Gefriertür geschlossen sind und 30 Sekunden lang keine Taste betätigt wird, schaltet sich die Beleuchtung des Bedienfelds automatisch aus und das Bedienfeld ist verriegelt.

#### Manuelle Sperre:

Drücken Sie bei entriegeltem Bedienfeld die Sperrtaste 3 Sekunden lang, bis ein Summton ertönt; die Sperranzeige leuchtet auf, und das Display ist gesperrt.



3 Sekunden  
lang drücken

Anzeige an  
Bedienfeld gesperrt

#### Entsperren:

Öffnen Sie bei ausgeschaltetem Bedienfeld eine beliebige Tür des Kühlschranks oder drücken Sie eine beliebige Taste auf dem Bedienfeld, um es zu aktivieren. In diesem Moment ist das Bedienfeld gesperrt. Drücken Sie die Sperrfunktionstaste 3 Sekunden lang, bis der Summer ertönt; die Sperranzeige erlischt und das Bedienfeld ist entsperrt.



Das Bedienfeld  
ist eingeschaltet;  
Tür öffnen oder  
eine beliebige  
Taste drücken

3 Sekunden  
warten

Anzeige erlischt  
Bedienfeld ist entriegelt

### 5.3 Kühlschranktemperatur einstellen

1. Wenn das Bedienfeld entriegelt ist, drücken Sie den „Kühlschrank-Wählschalter“; der Summer ertönt und die Kühlschranktemperaturanzeige blinkt. Jetzt kann die Kühlschranktemperatur eingestellt werden.
2. Bei jedem Druck auf den Wählschalter des Kühlschranks gibt es einen Summton und die Einstellung wird um 1 verringert. Die Schaltsequenz hat folgenden kontinuierlichen Verlauf: „4 °C / 3 °C / 2 °C / 1 °C / 9 °C / 8 °C / 7 °C / 6 °C / 5 °C / 4 °C“



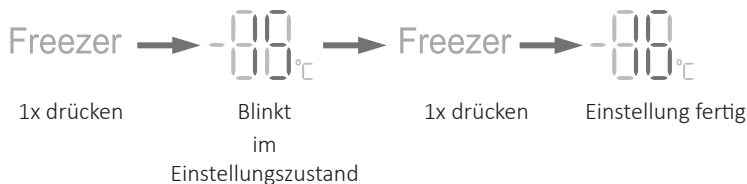
1x drücken      Blinkt      1x drücken      Einstellung fertig  
 Im Einstellungszu-  
 stand

**i Hinweis**

- Das Gerät ist auf die empfohlene Temperatur von 4 °C (Kühlschrank) und - 18 °C (Gefrierschrank) voreingestellt. Unter normalen Umgebungsbedingungen brauchen Sie keine Temperatur einzustellen.

## 5.4 Gefrierschranktemperatur einstellen

1. Wenn das Bedienfeld entriegelt ist, drücken Sie den „Gefrierschrank-Wählschalter“; der Summer ertönt und die Gefrierschranktemperaturanzeige blinkt. Jetzt kann die Gefriertemperatur eingestellt werden.
2. Bei jedem Drücken des Gefrierfach-Wählschalters gibt es einen Summton und die Temperatur verringert sich um 1. Die Schaltsequenz hat folgenden kontinuierlichen Verlauf: „-18 °C/-19 °C/-20 °C/-21 °C/-22 °C/-23 °C/-24 °C/-14 °C/-15 °C/-16 °C /-17 °C /-18 °C“.



**i Hinweis**

- Falls innerhalb von 5 Sekunden nach dem Einstellen der Temperatur keine Taste gedrückt wird, wird die Temperatur automatisch bestätigt und gespeichert.

## 5.5 Automatische Einstellung

1. Wenn das Bedienfeld entriegelt ist, drücken Sie den „Fuzzy-Modus-Wählschalter“; der Summer ertönt und die Fuzzy-Modus-Anzeige leuchtet. Der Fuzzy-Modus beginnt.
2. Wenn die Anzeige für den Fuzzy-Modus eingeschaltet ist, drücken Sie den Wählschalter für den Fuzzy-Modus; der Summer ertönt, die Anzeige für den Fuzzy-Modus erlischt, und der Fuzzy-Modus wird beendet.



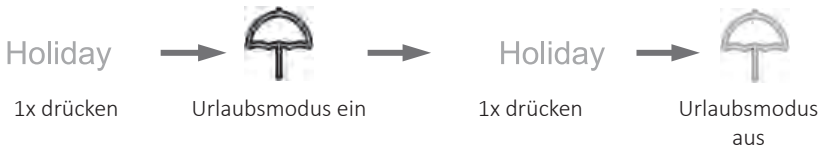
### **i** Hinweis

- ▶ Wenn der Fuzzy-Modus eingeschaltet ist, können die Kühl- und Gefriertemperatur nicht gewählt werden. Wenn der Wählschalter für den Kühl- oder Gefrierschrank betätigt wird, blinkt die Anzeige für den Fuzzy-Modus und weist akustisch darauf hin, dass der Vorgang nicht zulässig ist. Falls im Fuzzy-Modus die Funktion „Schnellkühlen“, „Schnellgefrieren“ oder „Urlaub“ gewählt wird, schaltet sich der Fuzzy-Modus aus und wird automatisch beendet.

## 5.6 Urlaubsmodus

Der Urlaubsmodus ist für den Fall vorgesehen, dass der Kühlschrank für längere Zeit nicht benutzt wird. Wenn der Urlaubsmodus eingeschaltet ist, kann die Gefriertemperatur gewählt werden. Dabei wird die Kühlschranktemperatur automatisch auf 17 °C eingestellt, wodurch jegliche Geruchsbildung aufgrund hoher Temperaturen im Kühlfach vermieden und auch der Energieverbrauch gesenkt wird.

1. Wenn Sie bei entriegeltem Bedienfeld den „Urlaubsmodus-Wählschalter“ drücken, ertönt ein Summton und die Urlaubsfunktionsanzeige leuchtet. Der Urlaubsmodus ist aktiviert.
2. Drücken Sie bei aktivierter Urlaubsmodus-Anzeige den Wählschalter für die Urlaubsfunktion. Daraufhin ertönt ein Summton, die Anzeige für den Urlaubsmodus erlischt, und der Urlaubsmodus wird beendet.



### **i** Hinweis

- ▶ Wenn der Urlaubsmodus eingeschaltet ist, kann die Kühlschranktemperatur nicht gewählt werden. Wenn der Wählschalter des Kühlschranks gedrückt wird, blinkt die Anzeige für den Urlaubsmodus und weist akustisch darauf hin, dass der Vorgang nicht zulässig ist. Bevor der Urlaubsmodus gewählt wird, leeren Sie bitte das Kühlfach, damit keine Lebensmittel verderben. Bei eingeschaltetem Urlaubsmodus können die Intelligenzfunktion und die Schnellkühlung nicht gleichzeitig ausgewählt werden. Wenn der Intelligenzmodus oder die Schnellkühlung ausgewählt ist, erlischt die Anzeige für den Urlaubsmodus und die Funktion wird automatisch deaktiviert.

## 5.7 Super-Cool-Modus

1. Drücken Sie bei entriegeltem Bedienfeld den „Kühlschrank-Wählschalter“ 3 Sekunden lang, bis ein Summton ertönt und die Anzeige „Super Cool“ aufleuchtet. Der Super-Cool-Modus ist aktiviert.
2. Drücken Sie bei eingeschalteter Super-Cool-Anzeige 3 Sekunden lang den Wählschalter des Kühlschranks, bis der Summton ertönt und die Super-Cool-Anzeige erlischt. Der Super-Cool-Modus wird deaktiviert.

- Der Kühlschrank schaltet den Super-Cool-Modus automatisch aus, sobald der vorgegebene Zustand erreicht ist. Um den Modus manuell zu beenden, drücken Sie den Kühlschrank-Wählschalter 3 Sekunden lang.



## **i** Hinweis

- Bei eingeschalteter Super-Cool-Funktion können der Fuzzy-Modus und der Urlaubsmodus nicht gleichzeitig ausgewählt werden. Wenn der Fuzzy-Modus oder der Urlaubsmodus ausgewählt wird, erlischt die Super-Cool-Anzeige und die Funktion wird automatisch deaktiviert.

## 5.8 Super-Freeze-Modus

- Drücken Sie bei entriegeltem Bedienfeld den Super-Freeze-Wählschalter, bis ein Summton ertönt und die Super-Freeze-Anzeige aufleuchtet. Der Super-Freeze-Modus ist aktiviert.
- Drücken Sie bei eingeschalteter Super-Freeze-Anzeige den Super-Freeze-Wählschalter, bis der Summton ertönt und die Super-Freeze-Anzeige erlischt. Der Super-Freeze-Modus ist deaktiviert.
- Der Kühlschrank schaltet den Super-Freeze-Modus automatisch aus, sobald der vorgegebene Zustand erreicht ist. Um den Modus manuell zu beenden, drücken Sie den Kühlschrank-Wählschalter 3 Sekunden lang.



## **i** Hinweis

- Der Super-Freeze-Modus ist dafür vorgesehen, die Nährstoffe der Lebensmittel im Gefrierfach zu erhalten und die Lebensmittel innerhalb kürzester Zeit einzufrieren. Wenn eine große Menge an Lebensmitteln auf einmal eingefroren werden soll, empfiehlt es sich, den Super-Freeze-Modus 24 Stunden im Voraus einzustellen, um im Gefrierfach eine niedrigere Temperatur zu erreichen, bevor die Lebensmittel eingelegt werden. Dadurch wird die Gefriereschwindigkeit im Gefrierfach erhöht, die Lebensmittel können schneller eingefroren werden, die Nährstoffe in den Lebensmitteln bleiben erhalten und die Lagerung wird erleichtert.  
Wenn Sie im Super-Freeze-Modus die Intelligenzfunktion wählen, erlischt die Super-Freeze-Anzeige und der Modus wird automatisch deaktiviert.

## 5.9 Alarm bei offener Tür

Wenn die Öffnungszeit der Tür zu lang ist oder die Tür nicht geschlossen ist, gibt der Kühlschrank jedes Mal einen akustischen Alarm als Hinweis darauf ab, dass die Tür geschlossen werden sollte.

## 5.10 Energieeinsparfunktion des Bedienfeldes

Erfolgt 30 Sekunden lang kein Vorgang am Bedienfeld, wird es automatisch deaktiviert und gesperrt, um Strom zu sparen. Wird die Verriegelungsfunktionstaste gedrückt oder eine beliebige Tür geöffnet, leuchtet das Bedienfeld wieder auf.

## 5.11 Stromausfall-Speicherfunktion

Falls sich der Kühlschrank aufgrund eines Stromausfalls ausschaltet, wird der aktuelle Betriebszustand gespeichert. Nach Wiederherstellung der Stromversorgung setzt der Kühlschrank den zuvor eingestellten Betriebsmodus wieder fort.

**Achtung:** Die Sperrfunktion wird nicht gespeichert. Nachdem der Kühlschrank wieder eingeschaltet ist, beginnt das Bedienfeld mit der Selbstprüfung. Die Anzeige der Sperrfunktion erlischt und der Kühlschrank wird entriegelt.

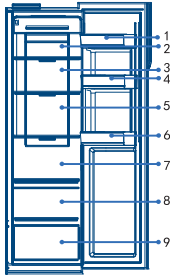
## 5.12 Tipps zur Lagerung frischer Lebensmittel

### 5.12.1 Aufbewahrung im Kühlfach

- ▶ Halten Sie die Temperatur Ihres Kühlschranks unter 5 °C.
- ▶ Heiße Lebensmittel müssen vor der Lagerung im Gerät auf Raumtemperatur abgekühlt werden.
- ▶ Im Kühlschrank gelagerte Lebensmittel sollten vor der Lagerung gewaschen und getrocknet werden.
- ▶ Die zu lagernden Lebensmittel sollten ordnungsgemäß versiegelt werden, um Geruchs- und Geschmacksveränderungen zu vermeiden.
- ▶ Lagern Sie keine übermäßigen Mengen von Lebensmitteln. Lassen Sie Zwischenräume zwischen den Lebensmitteln, damit kalte Luft um sie herumströmen kann, um eine bessere und homogenere Kühlung zu erreichen.
- ▶ Lebensmittel, die täglich verzehrt werden, sollten vorn im Kühlschrankfach abgelegt werden
- ▶ Lassen Sie einen Spalt zwischen den Lebensmitteln und den Innenwänden, damit die Luft zirkulieren kann. Lagern Sie die Lebensmittel auf keinen Fall an der Rückwand: Lebensmittel könnten an der Rückwand festfrieren. Vermeiden Sie den direkten Kontakt von Lebensmitteln (insbesondere von öligen oder sauren Lebensmitteln) mit der Innenwand, da Öl/Säure die Beschichtung beschädigen kann. Entfernen Sie eventuell vorhandene ölige/saure Rückstände.
- ▶ Tauen Sie Tiefkühlkost in einem der Kühlschrankfächer auf. Auf diese Weise können Sie die Tiefkühlkost nutzen, um die Temperatur im Fach zu senken und Energie zu sparen.
- ▶ Der Alterungsprozess von Obst und Gemüse wie Zucchini, Melonen, Papaya, Banane, Ananas usw. kann sich im Kühlschrank beschleunigen. Daher ist es nicht ratsam, sie im Kühlschrank aufzubewahren. Die Reifung stark grüner Früchte kann jedoch für eine gewisse Zeit gefördert werden. Zwiebeln, Knoblauch, Ingwer und andere Wurzelgemüse sollten ebenfalls bei Raumtemperatur gelagert werden.
- ▶ Unangenehme Gerüche im Inneren des Kühlschranks sind ein Zeichen dafür, dass etwas verschüttet wurde und eine Reinigung erforderlich ist. Siehe PFLEGE UND REINIGUNG.
- ▶ Verschiedene Lebensmittel sollten je nach ihren Eigenschaften in verschiedenen Bereichen platziert werden (Abb. 5.12.1/5.12.2):



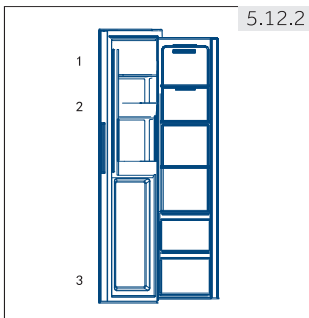
5.12.1



1. Butter, Käse usw.
2. Eingelegte Lebensmittel, Konserven usw.
3. Eingelegte Lebensmittel, Konserven usw.
4. Dosen, Konserven, Gewürze usw.
5. Fleischprodukte, Snacks usw.
6. Getränke und Lebensmittel in Flaschen
7. Teigwaren, Konserven, Milch, Tofu, Milchprodukte usw.
8. Obst, Gemüse, Salat usw.
9. Gekochtes Fleisch, Wurstwaren usw.

## 5.12.2 Lagerung im Gefrierfach

- ▶ Halten Sie die Gefriertemperatur bei -18 °C.
- ▶ Schalten 24 Stunden vor dem Einfrieren die Super-Freeze-Funktion ein:- für kleine Mengen an Lebensmitteln sind 4-6 Stunden ausreichend.
- ▶ Warme Speisen müssen vor der Lagerung im Gefrierfach auf Raumtemperatur abgekühlt werden.
- ▶ In kleine Portionen geschnittene Lebensmittel frieren schneller ein und lassen sich leichter auftauen und kochen. Das empfohlene Gewicht für jede Portion beträgt weniger als 2,5 kg
- ▶ Lebensmittel sollten verpackt werden, bevor sie das Gefrierfach gelegt werden. Die Außenseite der Verpackung muss trocken sein, um ein Zusammenkleben der Gefrierbeutel zu vermeiden. Verpackungsmaterialien sollten geruchsfrei, luftdicht, ungiftig und nicht toxisch sein.
- ▶ Um eine Überschreitung der Lagerfristen zu vermeiden, notieren Sie bitte das Einfrierdatum, das Zeitlimit und die Bezeichnung des Lebensmittels auf der Verpackung entsprechend der jeweiligen Lagerdauer.
- ▶ **WARNUNG!** Säuren, Laugen, Salze usw. könnten die Innenflächen des Gefrierschranks beschädigen. Legen Sie Lebensmittel mit solchen Substanzen (z. B. Seefische) nicht direkt auf die Innenfläche. Salzwasser im Gefrierfach sollte sofort beseitigt werden.
- ▶ Überschreiten Sie nicht die von den Herstellern empfohlenen Lagerzeiten für Lebensmittel. Nehmen Sie nur die erforderliche Menge an Lebensmitteln aus dem Gefrierfach.
- ▶ Unterschiedliche Lebensmittel sollten je nach ihren Eigenschaften in verschiedenen Bereichen abgelegt werden (Abb. 5.12.2):



5.12.2

1. Weniger schwere Gegenstände wie Eis, Gemüse, Brot usw.
2. Getränke ohne hohen Alkoholgehalt sowie die vorübergehende Lagerung von Spirituosen mit hohem Alkoholgehalt, Kleinteilen (z. B. Pizza oder Kräuter).
3. Große/schwerere Portionen von Lebensmitteln wie Braten usw.



### Hinweis: Aufbewahrung

- ▶ Achten Sie bitte auf einen Abstand von mehr als 10 mm zwischen Lebensmittel und Sensor, um den Kühleffekt zu gewährleisten.
- ▶ Lassen Sie während des Betriebs die unterste Schublade bitte im Gerät, um den Kühleffekt zu gewährleisten.
- ▶ Lebensmittel mit Eis (z. B. Eiscreme usw.) sollten im Gefrierfach statt auf dem Flaschenhalter aufbewahrt werden, weil durch das Öffnen und Schließen der Tür verursachte Temperaturänderungen am Flaschenhalter die Lebensmittel auftauen könnten.
- ▶ Verzehren Sie aufgetaute Lebensmittel möglichst schnell. Aufgetaute Lebensmittel dürfen nur dann wieder eingefroren werden, nachdem sie zuvor gegart wurden, weil sie andernfalls ungenießbar sein könnten.
- ▶ Überladen Sie das Gefrierfach nicht mit übermäßigen Mengen frischer Lebensmittel. Beachten Sie die Gefrierleistung des Gefrierschranks – siehe TECHNISCHE DATEN oder Daten auf dem Typenschild.
- ▶ Lebensmittel können je nach ihren Eigenschaften (z. B. Fleisch) bei einer Temperatur von mindestens -18 °C für 2 bis 12 Monate im Gefrierschrank gelagert werden: 3-12 Monate, Gemüse: 6-12 Monate
- ▶ Vermeiden Sie beim Einfrieren von frischen Lebensmitteln den Kontakt mit bereits gefrorenen Lebensmitteln. Gefahr des Auftauens!
- ▶ Gefriergut im Kühlschrank auftauen. Auf diese Weise können Sie die Tiefkühlkost dazu nutzen, die Temperatur im Fach zu senken und Energie zu sparen.

### 5.12.3 Bitte beachten Sie bei der Lagerung von TK-Lebensmitteln die folgenden Richtlinien:

- ▶ Beachten Sie immer die herstellereitigen Fristen hinsichtlich der Lagerungsdauer von Lebensmitteln. Überschreiten Sie diese Fristen nicht!
- ▶ Versuchen Sie, die Zeit zwischen Kauf und Lagerung so kurz wie möglich zu halten, um die Qualität der Lebensmittel zu erhalten.
- ▶ Kaufen Sie Tiefkühlkost, die bei einer Temperatur von -18 °C oder darunter gelagert wurde.
- ▶ Vermeiden Sie den Kauf von Lebensmitteln, die Eis oder Frost auf der Verpackung haben. Dies deutet darauf hin, dass ein Produkt angetaut gewesen sein könnte und sich dieser kurzzeitige Temperaturanstieg auf dessen Qualität ausgewirkt haben könnte.

### 5.13 Wasserspender (HSR3918EWP\*)

Mit dem Wasserspender kann kühles Trinkwasser gezapft werden.

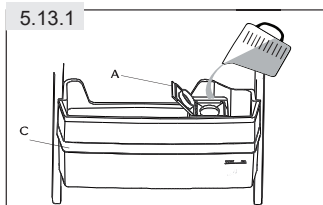
Der Wassertank sollte vor dem ersten Gebrauch gereinigt werden (siehe PFLEGE UND REINIGUNG).

#### 5.13.1 Füllen des Wassertanks



### WARNUNG!

Verwenden Sie ausschließlich Trinkwasser.



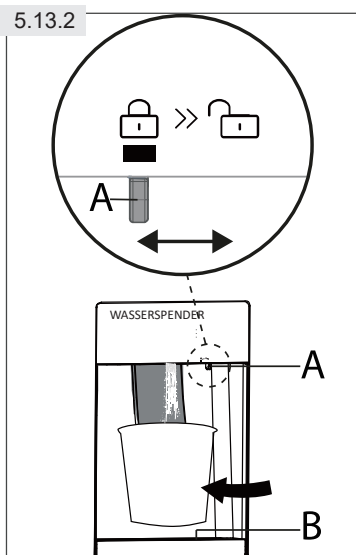
1. Stellen Sie sicher, dass der Wassertank richtig eingesetzt ist (siehe AUSRÜSTUNG)
2. Öffnen Sie den Deckel (A) und gießen Sie frisches Trinkwasser in den Wassertank (Abb. 5.13.1)
3. Wasser nur bis zur Markierung (2,5 l) einfüllen, da es beim Öffnen und Schließen der Tür überlaufen könnte.
4. Schließen Sie den Deckel (A) vollständig.



### Hinweis: Wasserspender

- ▶ Entsorgen Sie vor dem Nachfüllen das Restwasser und reinigen Sie den Wassertank.
- ▶ Wenn Sie für längere Zeit kein Wasser benötigen, leeren Sie bitte den Wassertank und setzen Sie den gereinigten Tank ein.
- ▶ **Die Abdeckung (C) des Wassertanks (Abb. 5.13.1) dient zusätzlich zur Energieeinsparung.** Auch wenn Sie längere Zeit kein Wasser aus dem Wasserspender entnehmen möchten, sollten Sie trotzdem die Abdeckung anbringen, da diese besser isoliert und energiesparend ist.

### 5.13.2 Wasser aus dem Spender entnehmen

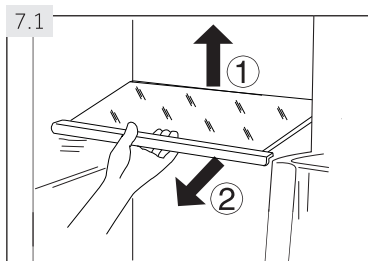


1. Vergewissern Sie sich, dass die Sperre (A) auf „Entsperren“ gestellt ist (Abb. 5.13.2).
2. Stellen Sie ein Glas unter den Wasserauslass.
3. Drücken Sie mit Ihrem Glas leicht gegen den Wasserspenderhebel.  
Achten Sie darauf, dass das Glas korrekt mit dem Spender ausgerichtet ist, damit kein Wasser herausspritzt.
4. Das Wasser in der Schale (B) sollte rechtzeitig entfernt werden, da es beim Öffnen und Schließen der Tür überlaufen könnte.
5. Schieben Sie die Sperre (A) in die Position „Sperren“.



## Energiespartipps

- ▶ Stellen Sie sicher, dass das Gerät richtig belüftet wird (siehe INSTALLATION).
- ▶ Installieren Sie das Gerät nicht in direktem Sonnenlicht oder in der Nähe von Wärmequellen (z. B. Öfen, Heizungen).
- ▶ Vermeiden Sie unnötig niedrige Temperaturen im Gerät. Der Energieverbrauch steigt, je niedriger die Temperatur im Gerät eingestellt wird.
- ▶ Funktionen wie Super-Cool oder Super-Freeze verbrauchen mehr Energie.
- ▶ Lassen Sie warme Speisen vor dem Einlegen in das Gerät abkühlen.
- ▶ Öffnen Sie die Gerätetür so wenig und so kurz wie möglich.
- ▶ Überfüllen Sie das Gerät nicht, um die Luftzirkulation nicht zu behindern.
- ▶ Vermeiden Sie Luft innerhalb der Lebensmittelverpackung.
- ▶ Halten Sie die Türdichtungen sauber, damit die Tür immer richtig schließt.
- ▶ Tauen Sie Tiefkühlkost in einem der Kühlschranksfächer auf.



## 7.1 Verstellbare Einlegeböden

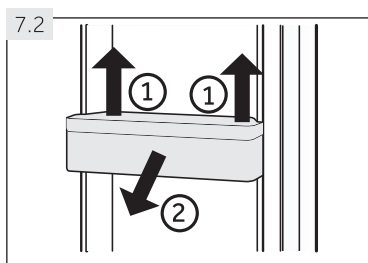
Sie können die Höhe der Einlegeböden an Ihre Erfordernisse anpassen.

1. Um einen Einlegeboden zu versetzen, heben Sie ihn zunächst an seiner Hinterkante an (1) und ziehen ihn dann heraus (2) (Abb. 7.1).
2. Um ihn wieder einzusetzen, legen Sie ihn auf den beidseitigen Vorsprüngen ab und schieben ihn dann in die hinterste Position, bis die Rückseite des Regalbodens in den seitlichen Schlitz einrastet.



### Hinweis: Regalböden

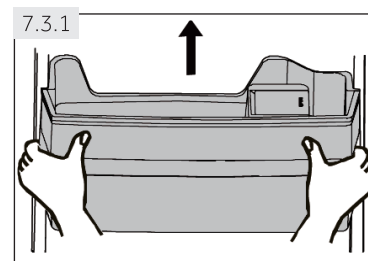
Achten Sie darauf, dass alle Enden eines Regalbodens höhengleich sind.



## 7.2 Herausnehmbare Türablagen/ Flaschenhalter

Die Türablagen/Flaschenhalter können zur Reinigung entfernt werden:

1. Fassen Sie die Ablage/Halterung auf beiden Seiten an und heben Sie sie an (1) (Abb. 7.2).
2. Ziehen Sie die Türablage/Flaschenhalterung heraus (2).
3. Zum Einsetzen der Türablage/Flaschenhalterung führen Sie die Schritte oben in umgekehrter Reihenfolge aus.




## 7.3 Wassertank(HSR3918EWP\*)

### 7.3.1 Wassertank entfernen

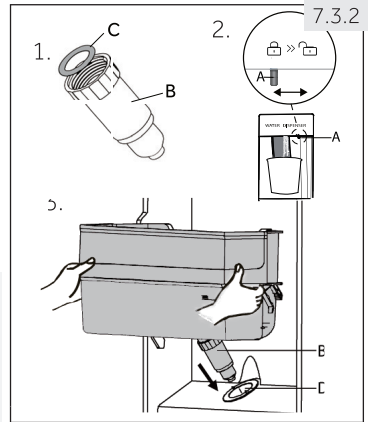
Der Wassertank kann zur Reinigung auf die gleiche Weise wie die Türablagen herausgenommen und wieder eingesetzt werden (Abb. 7.3.1).

### 7.3.2 Wassertank einsetzen

1. Vergewissern Sie sich, dass der Spenderauslauf (B) fest mit dem Wasserbehälter verschraubt und der weiße O-Ring (C) in Position ist (Abb. 7.3.2-1.).
2. Schieben Sie die Verriegelung (A) in die Position  „Verriegeln“ (Abb. 7.3.2-2.)
3. Bringen Sie den Wassertank so an, dass der Spenderauslauf (B) in die Öffnung der Tür (D) passt (Abb. 7.3.2-3.).

#### Hinweis: Wassertank

- ▶ Wenn der Wassertank nicht richtig eingesetzt ist, kann Wasser aus dem Anschluss tropfen.
- ▶ Wenden Sie beim Aus- und Einbau des Wassertanks keine übermäßige Kraft an, um eine Beschädigung des Tanks zu vermeiden.



### 7.4 Flaschenhalter – Gefrierfach

Die Flaschenhalter des Gefrierfachs sind für die vorübergehende Lagerung von Spirituosen mit hohem Alkoholgehalt vorgesehen. Getränke ohne hohen Alkoholgehalt sollten im Kühlschrank gekühlt werden.

Zusätzlich können Sie Kleinteile in den Flaschenhaltern aufbewahren.



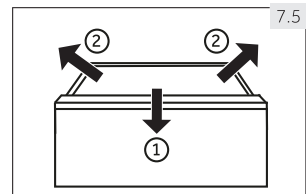
#### WARNUNG!

Flaschen und Dosen können platzen! Lassen Sie sich von Zeitschaltuhr daran erinnern, Flaschen/Dosen ohne hohen Alkoholgehalt wieder herauszunehmen.

### 7.5 Herausnehmbare Schublade

Um die Schublade aus dem Kühl- oder Gefrierfach zu entnehmen, ziehen Sie sie bis zum Anschlag heraus (1), heben sie an und nehmen sie dann heraus (2) (Abb. 7.5).

Um die Schublade einzusetzen, werden die oben genannten Schritte in umgekehrter Reihenfolge durchgeführt.



### 7.6 Beleuchtung

Die LED-Innenbeleuchtung geht an, wenn die Tür geöffnet wird. Die Beleuchtungsleistung wird durch keine der Geräteeinstellungen beeinflusst.



## WARNUNG!

Trennen Sie das Gerät vor dem Reinigen von der Stromversorgung ab.

### 8.1 Reinigung

Reinigen Sie das Gerät, wenn nur wenige oder keine Lebensmittel gelagert werden. Das Gerät sollte alle vier Wochen gereinigt werden, um einen guten Wartungszustand aufrechtzuerhalten und schlechte Gerüche von gelagerten Lebensmitteln zu vermeiden.

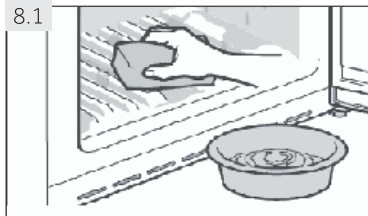


## WARNUNG!

Reinigen Sie das Gerät nicht mit harten Bürsten, Drahtbürsten, Reinigungsmittelpulver, Benzin, Amylacetat, Aceton und ähnlichen organischen Lösungen, Säuren oder Laugen. Bitte verwenden Sie einen speziellen Kühlschrankreiniger, um Schäden zu vermeiden.

- ▶ Besprühen oder spülen Sie das Gerät während der Reinigung nicht.
- ▶ Verwenden Sie zur Reinigung des Geräts weder Wassersprühstrahl noch Dampf.
- ▶ Reinigen Sie die kalten Glasböden nicht mit heißem Wasser. Plötzliche Temperaturänderungen können zum Bruch des Glases führen.
- ▶ Berühren Sie während des Betriebs nicht die Innenfläche des Gefrierfachs, insbesondere nicht mit nassen Händen, weil Ihre Hände an der Oberfläche festfrieren könnten.
- ▶ Im Falle einer Erwärmung ist der Zustand tiefgefrorener Waren zu überprüfen.

8.1



- ▶ Halten Sie die Türdichtung immer sauber.
- ▶ Reinigen Sie das Innere und das Gehäuse des Geräts mit einem in warmem Wasser und neutralem Reinigungsmittel angefeuchteten Schwamm (Abb. 8.1).


1. Bitte reinigen Sie das Innere und Äußere des Kühlschranks, einschließlich Türdichtung, Türablagen, Glaseinlegeböden, Fächer usw., mit einem weichen Tuch oder Schwamm und warmem Wasser (ggf. mit einem neutralen Reinigungsmittel).
2. Falls Flüssigkeit verschüttet wurde, entfernen Sie alle betroffenen Teile, spülen sie unter fließendem Wasser ab, trocknen sie und legen sie wieder in den Kühlschrank.
3. Falls fettthaltige Lebensmittel verschüttet wurden (z. B. Sahne, schmelzende Eiscreme), entfernen Sie bitte alle betroffenen Teile, legen sie für einige Zeit in etwa 40 °C warmes Wasser, spülen sie dann unter fließendem Wasser ab, trocknen sie und legen sie wieder in den Kühlschrank.
4. Sollten sich Kleinteile im Inneren des Kühlschranks (zwischen Einlegeböden oder Schubladen) verfangen, nehmen Sie eine kleine weiche Bürste, um sie zu lösen. Falls Sie das Teil nicht erreichen konnten, wenden Sie sich bitte an den Haier-Service.

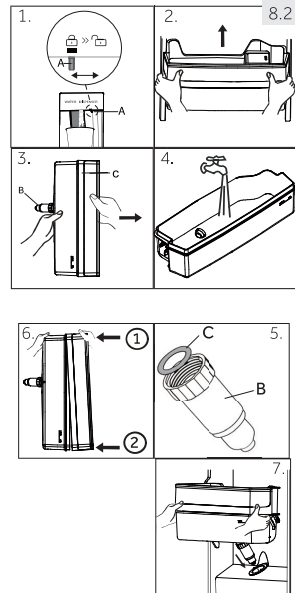
- ▶ Spülen Sie anschließend nach und trocknen Sie alles mit einem weichen Tuch.
- ▶ Reinigen Sie keine Teile des Geräts in der Spülmaschine.
- ▶ Warten Sie vor der Wiederinbetriebnahme des Geräts mindestens 5 Minuten, da ein zu häufiges Starten den Kompressor beschädigen kann.

## Abtauen

Das Kühl- und Gefrierfach wird automatisch abgetaut; ein manueller Eingriff ist nicht erforderlich.

## 8.2 Reinigung des Wassertanks (Abb. 8.2)(HSR3918EWP\*)

1. Schieben Sie die Sperre (A) in die Position  „Sperren“.
2. Nehmen Sie den Wassertank aus dem Gerät heraus.
3. Entfernen Sie die Abdeckung (C) und schrauben Sie den Spenderauslauf (B) vorsichtig ab.
4. Reinigen Sie den Wassertank und den Auslauf des Spenders unter fließend warmem Wasser und flüssigem Geschirrspülmittel. Achten Sie darauf, dass alle Seifenreste abgespült werden.
5. Montieren Sie den Spenderauslauf (B) und achten Sie darauf, dass er fest mit dem Wassertank verschraubt und der weiße O-Ring (C) in Position ist.
6. Bringen Sie den Deckel erst auf der einen und dann auf anderen Seite am Wassertank an. Prüfen Sie, ob Wassertank und Deckel korrekt montiert sind.
7. Setzen Sie den Tank wieder in das Gerät ein. Vergewissern Sie sich, dass der Spenderauslauf korrekt in das Türloch eingesetzt ist.



## 8.3 Austauschen der LED-Lampe



### WARNUNG!

Ersetzen Sie das LED-Leuchtmittel nicht selbst, sondern wenden Sie sich an den Hersteller oder einen autorisierten Fachbetrieb.

Die Lampe hat ein LED-Leuchtmittel, das sich durch niedrigen Energieverbrauch und lange Lebensdauer auszeichnet. Bei Unregelmäßigkeiten wenden Sie sich bitte an den Kundendienst. Siehe KUNDENSERVICE.

Technische Daten der Lampen: 12 V, max. 3 W

## 8.4 Längerfristige Außerbetriebnahme

Falls das Gerät längere Zeit nicht benutzt wird und die Urlaubsfunktion für den Kühlschrank deaktiviert bleibt:

- ▶ Nehmen Sie das Essen heraus.



- ▶ Leeren und reinigen Sie den Wassertank.
- ▶ Ziehen Sie den Netzstecker.
- ▶ Reinigen Sie das Gerät wie oben beschrieben.
- ▶ Lassen Sie die Türen offen, um die Entstehung von schlechten Gerüchen im Inneren zu verhindern.



## **Hinweis: Ausschalten**

Schalten Sie das Gerät nur aus, wenn es unbedingt notwendig ist.

## **8.5 Transport des Geräts**

1. Entfernen Sie alle Lebensmittel und ziehen Sie den Netzstecker.
2. Fixieren Sie Einlegeböden und andere bewegliche Teile im Kühl- und Gefrierschrank mit Klebeband.
3. Kippen Sie das Gerät nicht mehr als 45°, um eine Beschädigung des Kühlsystems zu vermeiden.



## **WARNUNG!**

Heben Sie das Gerät nicht an den Griffen an.

- ▶ Legen Sie das Gerät niemals horizontal auf dem Boden ab.

Viele auftretende Probleme können ohne spezielle Fachkenntnisse selbst behoben werden. Im Falle eines Problems prüfen Sie bitte alle aufgezeigten Möglichkeiten und befolgen die untenstehenden Anweisungen, bevor Sie sich an einen Kundendienst wenden. Siehe KUNDENSERVICE.

**WARNUNG!**

Schalten Sie das Gerät vor der Wartung aus und ziehen Sie den Netzstecker aus der Steckdose.

- ▶ Elektrische Geräte sollten nur von qualifizierten Elektrofachleuten gewartet werden, da unsachgemäße Reparaturen erhebliche Folgeschäden verursachen können.
- ▶ Ein defektes Gerät darf nur durch den Hersteller, dessen Servicevertreter oder ähnlich qualifizierten Personen ersetzt werden, um eine Gefährdung zu vermeiden.

| Problem  | Mögliche Ursache   | Mögliche Lösung  |
|--|--|--|
| Der Kompressor funktioniert nicht.               | <ul style="list-style-type: none"> <li>• Der Netzstecker ist nicht an der Steckdose angeschlossen.</li> <li>• Das Gerät befindet sich im Abtauzyklus.</li> </ul>   | <ul style="list-style-type: none"> <li>• Schließen Sie den Netzstecker an.</li> <li>• Dies ist normal bei einer automatischen Abtaufunktion.</li> </ul>  |
| Das Gerät geht häufig oder für zu lange Zeit an. | <ul style="list-style-type: none"> <li>• Die Innen- oder Außentemperatur ist zu hoch.</li> <li>• Das Gerät war eine Zeit lang ausgeschaltet.</li> <li>• Eine Tür des Gerätes ist nicht fest geschlossen.</li> <li>• Die Tür wurde zu oft oder zu lange geöffnet.</li> <li>• Die Temperatureinstellung für das Gefrierfach ist zu niedrig.</li> <li>• Die Türdichtung ist verschmutzt, verschlissen, gerissen oder nicht richtig eingesetzt.</li> <li>• Die erforderliche Luftzirkulation ist nicht gewährleistet.</li> </ul> | <ul style="list-style-type: none"> <li>• In diesem Fall ist es normal, dass das Gerät länger läuft.</li> <li>• Normalerweise dauert es 8 bis 12 Stunden, bis das Gerät vollständig abgekühlt ist.</li> <li>• Schließen Sie die Tür und vergewissern Sie sich, dass das Gerät auf einem ebenen Boden steht und keine Lebensmittel oder Behälter gegen die Tür stoßen.</li> <li>• Öffnen Sie die Tür nicht zu oft.</li> <li>• Stellen Sie die Temperatur höher ein, bis eine zufriedenstellende Kühlschranktemperatur erreicht ist. Es dauert 24 Stunden, bis die Temperatur im Kühlschrank stabil ist.</li> <li>• Reinigen Sie die Türdichtung oder lassen Sie sie vom Kundendienst ersetzen.</li> <li>• Sorgen Sie für eine ausreichende Belüftung.</li> </ul> |

| Problem   | Mögliche Ursache   | Mögliche Lösung  |
|---|--|--|
| Das Innere des Kühlschranks ist verschmutzt und/oder riecht.                              | <ul style="list-style-type: none"> <li>• Das Innere des Kühlschranks muss gereinigt werden.</li> <li>• Stark riechende Lebensmittel werden im Kühlschrank aufbewahrt.</li> </ul>   | <ul style="list-style-type: none"> <li>• Reinigen Sie das Innere des Kühlschranks.</li> <li>• Wickeln Sie das Essen gründlich ein.</li> </ul>  |
| Es ist nicht kalt genug im Inneren des Geräts.  | <ul style="list-style-type: none"> <li>• Die Temperatur ist zu hoch eingestellt.</li> <li>• Es wurden zu warme Waren gelagert.</li> <li>• Es wurden zu viele Lebensmittel auf einmal gelagert.</li> <li>• Die Waren liegen zu nahe beieinander.</li> <li>• Eine Tür des Gerätes ist nicht fest geschlossen.</li> <li>• Die Tür wurde zu oft oder zu lange geöffnet.</li> </ul> | <ul style="list-style-type: none"> <li>• Setzen Sie die Temperatur zurück.</li> <li>• Kühlen Sie die Waren vor der Lagerung immer ab.</li> <li>• Lagern Sie immer kleine Mengen von Lebensmitteln.</li> <li>• Lassen Sie Platz zwischen den Lebensmitteln, damit Luft zirkulieren kann.</li> <li>• Schließen Sie die Tür.</li> <li>• Öffnen Sie die Tür nicht zu oft.</li> </ul> |
| Es ist zu kalt im Inneren des Geräts.   | <ul style="list-style-type: none"> <li>• Die Temperatur ist zu niedrig eingestellt.</li> <li>• Die Super-Cool/Super-Freeze-Funktion ist aktiviert oder läuft zu lange.</li> </ul>  | <ul style="list-style-type: none"> <li>• Passen Sie die Temperatur an.</li> <li>• Schalten Sie die Funktion Super-Cool / Super-Freeze aus.</li> </ul>  |
| Feuchtigkeitsbildung auf der Innenseite des Kühlfachs.                                    | <ul style="list-style-type: none"> <li>• Das Klima ist zu warm und zu feucht.</li> <li>• Eine Tür des Gerätes ist nicht fest geschlossen.</li> <li>• Die Tür wurde zu oft oder zu lange geöffnet.</li> <li>• Lebensmittelbehälter oder Flüssigkeiten werden offen gelassen.</li> </ul>   | <ul style="list-style-type: none"> <li>• Erhöhen Sie die Temperatur.</li> <li>• Schließen Sie die Tür.</li> <li>• Öffnen Sie die Tür nicht zu oft.</li> <li>• Lassen Sie heiße Lebensmittel auf Raumtemperatur abkühlen und decken Sie Lebensmittel und Flüssigkeiten ab.</li> </ul>   |
| Auf der Außenseite der Kühlschränke oder zwischen den Türen sammelt sich Feuchtigkeit an. | <ul style="list-style-type: none"> <li>• Das Klima ist zu warm und zu feucht.</li> <li>• Die Tür ist nicht fest verschlossen. Die kalte Luft im Gerät und die warme Luft außerhalb des Gerätes kondensiert.</li> </ul>   | <ul style="list-style-type: none"> <li>• Dies ist in feuchtem Klima normal und ändert sich, wenn die Luftfeuchtigkeit abnimmt.</li> <li>• Stellen Sie sicher, dass die Tür fest geschlossen ist.</li> </ul>  |

| Problem  | Mögliche Ursache  | Mögliche Lösung   |
|--|---|---|
| Starke Eis- und Frostbildung im Gefrierfach.                   | <ul style="list-style-type: none"> <li>Die Waren waren nicht angemessen verpackt.</li> <li>Eine Tür/Schublade des Geräts ist nicht fest geschlossen.</li> <li>Die Tür wurde zu oft oder zu lange geöffnet.</li> <li>Die Türdichtung ist verschmutzt, verschlissen, gerissen oder nicht richtig eingesetzt.</li> <li>Etwas auf der Innenseite verhindert, dass sich die Tür richtig schließt.</li> </ul> | <ul style="list-style-type: none"> <li>Verpacken Sie die Waren immer gut.</li> <li>Schließen Sie die Tür/Schublade.</li> <li>Öffnen Sie die Tür nicht zu oft.</li> <li>Reinigen Sie die Türdichtung oder ersetzen Sie sie durch eine neue.</li> <li>Positionieren Sie die Einlegeböden, Türablagen oder Innenbehälter neu, damit sich die Tür schließen lässt.</li> </ul> |
| Das Gerät macht ungewöhnliche Geräusche.                       | <ul style="list-style-type: none"> <li>Das Gerät wurde auf einer unebenen Fläche aufgestellt.</li> <li>Das Gerät kommt mit einem Gegenstand in Berührung.</li> </ul>  | <ul style="list-style-type: none"> <li>Stellen Sie die Füße ein, um das Gerät auszurichten.</li> <li>Entfernen Sie Gegenstände um das Gerät herum.</li> </ul>   |
| Es ist ein leises Geräusch wie von fließendem Wasser zu hören. | <ul style="list-style-type: none"> <li>Das ist normal.</li> </ul>   | <ul style="list-style-type: none"> <li>–</li> </ul>   |
| Sie hören einen Alarmton.                                      | <ul style="list-style-type: none"> <li>Die Tür ist offen.</li> </ul>  | <ul style="list-style-type: none"> <li>Schließen Sie die Tür.</li> </ul>  |
| Sie hören ein schwaches Summen.                                | <ul style="list-style-type: none"> <li>Das Antikondensationssystem ist in Betrieb.</li> </ul>   | <ul style="list-style-type: none"> <li>Dies verhindert Kondensation und ist normal.</li> </ul>  |
| Die Innenbeleuchtung oder das Kühlsystem funktioniert nicht.   | <ul style="list-style-type: none"> <li>Der Netzstecker ist nicht an der Steckdose angeschlossen.</li> <li>Die Stromversorgung ist nicht intakt.</li> <li>Die LED-Lampe ist defekt.</li> </ul>   | <ul style="list-style-type: none"> <li>Schließen Sie den Netzstecker an.</li> <li>Überprüfen Sie die elektrische Stromversorgung des Raumes. Wenden Sie sich an den zuständigen Energieversorger!</li> <li>Lassen Sie die Lampe von einem Fachbetrieb auswechseln.</li> </ul>   |
| Die Seiten des Schrankes und der Türleiste werden warm.        | <ul style="list-style-type: none"> <li>Das ist normal.</li> </ul>   | <ul style="list-style-type: none"> <li>–</li> </ul>   |
| Es kommt kein Wasser aus dem Auslauf des Wasserspenders        | <ul style="list-style-type: none"> <li>Die Sperre ist nicht deaktiviert.</li> </ul>   | <ul style="list-style-type: none"> <li>Deaktivieren Sie die Sperre.</li> </ul>  |

## 9.2 Stromausfall

Bei einem Stromausfall sollten die Lebensmittel etwa 5 Stunden lang sicher kalt bleiben.

Befolgen Sie diese Tipps bei einer längeren Stromunterbrechung, insbesondere im Sommer:

- ▶ Öffnen Sie die Tür/Schublade so wenig wie möglich.
- ▶ Legen Sie während einer Stromunterbrechung keine zusätzlichen Lebensmittel in das Gerät.
- ▶ Sollte eine Stromunterbrechung vorher angekündigt werden und länger als 5 Stunden dauern, bereiten Sie etwas Eis zu und legen Sie es in einen Behälter oben ins Kühlfach.
- ▶ Im Anschluss an einen Stromausfall müssen die Waren sofort kontrolliert werden.
- ▶ Da die Temperatur im Kühlschrank bei einer Stromunterbrechung oder einem anderen Ausfall ansteigt, wirkt sich dies auf die Lagerdauer und genießbarkeit der Lebensmittelaus. Alle aufgetauten Lebensmittel sollten entweder verzehrt oder gegart und anschließend (sofern möglich) wieder eingefroren werden, um Gesundheitsrisiken zu vermeiden.



### **Hinweis: Speicherfunktion bei Stromunterbrechung**

Nach Wiederherstellung der Stromversorgung fährt das Gerät mit den Einstellungen fort, die vor dem Stromausfall eingestellt wurden.

## 10.1 Auspacken



### WARNUNG!

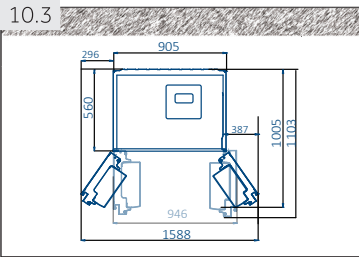
- ▶ Das Gerät ist schwer. Immer mit mindestens zwei Personen bewegen.
- ▶ Bewahren Sie alle Verpackungsmaterialien außerhalb der Reichweite von Kindern auf und entsorgen Sie sie auf umweltfreundliche Weise.

- ▶ Nehmen Sie das Gerät aus der Verpackung.
- ▶ Entfernen Sie alle Verpackungsmaterialien, einschließlich der transparenten Schutzfolie.

## 10.2 Umgebungsbedingungen

Die Raumtemperatur sollte immer zwischen 16 °C und 43 °C liegen, da sie die Temperatur im Inneren des Geräts und dessen Energieverbrauch beeinflussen kann. Installieren Sie das Gerät nicht ohne Isolierung in der Nähe anderer wärmeabgebender Geräte (Öfen, Kühlschränke).

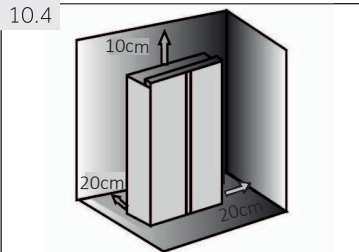
### 10.3



### 10.3 Platzbedarf

Platzbedarf beim Öffnen der Tür (Abb. 10.3): Breite des Geräts: 1588 mm Gerätetiefe: 1103 mm

### 10.4



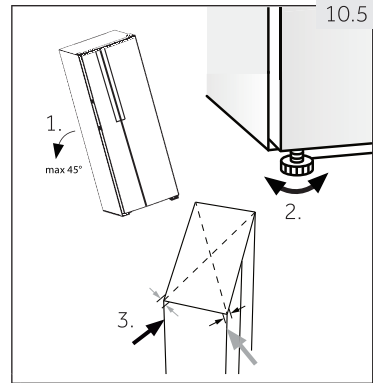
### 10.4 Lüftungsquerschnitt

Um aus Sicherheitsgründen eine ausreichende Belüftung des Gerätes zu erreichen, sind die Angaben der erforderlichen Lüftungsquerschnitte zu beachten (Abb. 10.4).

## 10.5 Ausrichten des Geräts

Das Gerät sollte auf einer flachen und robusten Fläche aufgestellt werden.

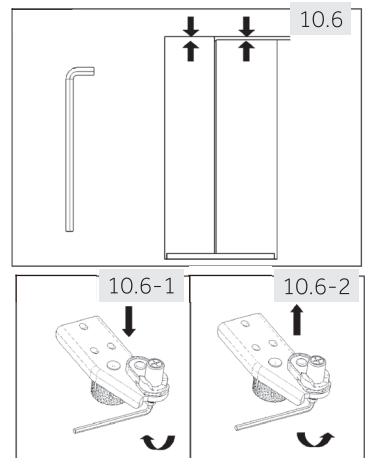
1. Kippen Sie das Gerät leicht nach hinten (Abb. 10.5).
2. Stellen Sie die FüÙe auf die gewünschte Höhe ein. Achten Sie darauf, dass der Abstand zur Wand an den Scharnierseiten mindestens 5 cm beträgt.
3. Die Stabilität kann durch abwechselndes AnstoÙen an den Diagonalen überprüft werden. Das leichte Schwanken sollte in beiden Richtungen gleich sein. Andernfalls kann sich der Rahmen verziehen und die Funktionsfähigkeit der Türdichtungen beeinträchtigt werden. Eine geringe Neigung nach hinten erleichtert das Schließen der Türen.



## 10.6 Feinabstimmung der Türen

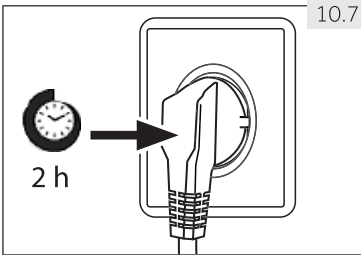
Wenn sich die Türen nach dem Nivellieren mit den FüÙen immer noch nicht in einer Ebene befinden, kann diese Fehlanpassung durch Drehen der Scharnierwelle an der rechten unteren Ecke der Kühlschranktür mit einem Inbusschlüssel behoben werden (Abb. 10.6)

- Drehen Sie die Welle mit dem Schlüssel im Uhrzeigersinn, um die Tür abzusenken (Abb. 10.6-1).
- Drehen Sie die Welle mit dem Schlüssel gegen den Uhrzeigersinn, um die Tür anzuheben (Abb. 10.6-2).



### WARNUNG!

Stellen Sie die Scharnierwelle nicht zu hoch ein, um zu verhindern, dass sie ihre ursprüngliche Verriegelungsstellung verlässt. (Einstellbarer Höhenbereich: 3 mm)



### 10.7 Wartezeit

Zur wartungsfreien Schmierung befindet sich Öl in der Kapsel des Kompressors. Dieses Öl kann bei einem Schrägtransport in das geschlossene Leitungssystem gelangen. Vor dem Anschluss des Geräts an die Stromversorgung müssen Sie mindestens 2 Stunden warten (Abb. 10.7), damit das Öl wieder in die Kapsel zurückläuft.

### 10.8 Elektrischer Anschluss

**Prüfen Sie vor jedem Anschluss, dass:**

- ▶ Steckdose und Sicherung den Angaben auf dem Typenschild entsprechen
- ▶ die Steckdose geerdet ist und keine Mehrfachsteckdose oder Verlängerung verwendet wird
- ▶ Netzstecker und Steckdose den Vorgaben entsprechen

Schließen Sie den Stecker an eine ordnungsgemäß installierte Haushaltssteckdose an.



#### WARNUNG!

Um Risiken zu vermeiden, muss ein beschädigtes Netzkabel durch den Kundendienst ersetzt werden (siehe Garantiekarte).

### 10.9 Aus- und Einbau der Türen

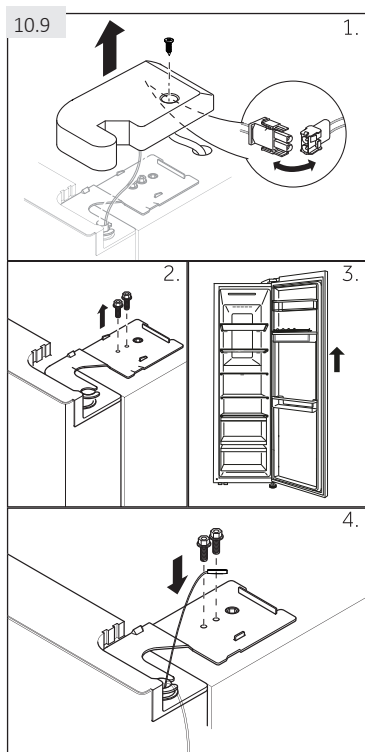
Falls Sie die Gerätetüren entfernen müssen, befolgen Sie bitte die folgenden Demontage- und Montageanweisungen (Abb. 10.9)



#### WARNUNG!

- ▶ Schalten Sie das Gerät vor jeder Handhabung aus und ziehen Sie den Netzstecker aus der Steckdose.
- ▶ Das Gerät ist schwer. Immer mit mindestens zwei Personen bewegen.
- ▶ Kippen Sie das Gerät um nicht mehr als 45° und legen Sie es nicht horizontal auf dem Boden ab.





1. Lösen Sie die Schraube der Scharnierabdeckung und entfernen Sie sie die Abdeckung. Lösen Sie den Kabelanschluss.
2. Lösen Sie die Schrauben, die das obere Scharnier in Position halten, und entfernen Sie dann das Scharnier.
3. Heben Sie die Kühlschranktür an, um sie zu entfernen.
4. Bringen Sie die Tür wieder an, indem Sie die Demontageschritte umgekehrt ausführen. Stellen Sie sicher, dass das Erdungskabel mit der Schraube befestigt wird.



### Hinweis: Kühlschranktür

Die Bilder zeigen das Entfernen der Kühlfachtür. Für die Gefriertür verwenden Sie bitte die entsprechenden Teile auf der anderen Seite

### 11.1 Produktdatenblatt gemäß Verordnung EU Nr. 1060/2010

| Markenzeichen   | Haier              |             |             |
|---|--------------------|-------------|-------------|
| Modellbezeichnung   | HSR3918FNP*        | HSR3918ENP* | HSR3918EWP* |
| Modellkategorie   | Kühl-/Gefriergerät |             |             |
| Energieeffizienzklasse  | A+                 |             |             |
| Jährlicher Energieverbrauch (kWh/Jahr)  | 399                |             |             |
| Kühltagervolumen (L)  | 337                |             |             |
| Gefrierlagervolumen (L) ****  | 167                |             |             |
| Sterne-Standard   | * ** *             |             |             |
| Temperatur der anderen Fächer >14 °C  | Nicht zutreffend   |             |             |
| Frostfreies System  | Ja                 |             |             |
| Temperaturanstiegszeit (h)  | 5                  |             |             |
| Gefrierkapazität (kg/24 h)  | 10                 |             |             |
| Klimaklasse   | SN-N-ST            |             |             |
| Dieses Gerät ist für den Einsatz bei einer Umgebungstemperatur zwischen 10 °C und 43 °C vorgesehen. |                    |             |             |
| Luftschallemissionen (db(A) re 1pW)   | 38                 |             |             |
| Bauweise  | Freistehend        |             |             |

Basierend auf Standardtestergebnissen für 24 Stunden. Der tatsächliche Energieverbrauch hängt davon ab, wie und wo das Gerät eingesetzt wird.

#### 11.1.1 Zusätzliche technische Daten

|                           |                   |
|---------------------------|-------------------|
| Spannung / Frequenz       | 220-240 V / 50 Hz |
| Eingangsleistung (W)      | 200               |
| Hauptsicherung (A)        | 15                |
| Kühlmittel                | R600a             |
| Abmessungen (H/B/T in mm) | 1775/908/647      |

#### 11.1.2 Normen und Richtlinien

Dieses Produkt erfüllt die Anforderungen aller anwendbaren EG-Richtlinien mit den entsprechenden harmonisierten Normen, die eine CE-Kennzeichnung vorsehen.

Wir empfehlen unseren Haier-Kundendienst sowie die Verwendung von Original-Ersatzteilen. Wenn Sie ein Problem mit Ihrem Gerät haben, prüfen Sie bitte zuerst den Abschnitt STÖRUNGEN.

Falls Sie dort keine Lösung finden, wenden Sie sich bitte an

- ▶ die Verkaufsstelle oder
- ▶ den Service- und Supportbereich auf [www.haier.com](http://www.haier.com), wo Sie Telefonnummern und FAQs finden und den Serviceanspruch aktivieren können.

Um unseren Service zu kontaktieren, stellen Sie sicher, dass Sie die folgenden Daten zur Verfügung haben.

Die Informationen sind auf dem Typenschild zu finden.

Modell \_\_\_\_\_ Seriennr. \_\_\_\_\_

Bei einem Garantiefall prüfen Sie auch die mit dem Produkt gelieferte Garantiekarte.



**Haier**



0060528721



Manual do utilizador

Frigorífico - Congelador

**HSR3918ENP\***

**HSR3918EWP\***

**HSR3918FNP\***

**\*=W,B,L,G,N**

PT

**Haier**

## Obrigado por comprar um produto Haier.

Leia estas instruções atentamente antes de instalar ou usar este aparelho. As instruções contêm informações importantes que o ajudarão a tirar o melhor partido do aparelho e a garantir uma instalação, utilização e manutenção seguras e adequadas.

Guarde este manual num local conveniente para que possa sempre consultá-lo para o uso seguro e adequado do aparelho.

Se vender, doar ou deixar o aparelho quando mudar de casa, assegure-se de que também deixa este manual para que o novo proprietário se possa familiarizar com o aparelho e com os avisos de segurança.

### Legenda

Aviso- Informação Importante de Segurança



Informação geral e dicas



Informação ambiental;



### Eliminação

Ajude a proteger o ambiente e a saúde humana Coloque as embalagens nos contentores adequados para reciclar. Ajude a reciclar resíduos de aparelhos elétricos e eletrónicos. Não elimine os aparelhos assinalados com este símbolo juntamente com o lixo doméstico. Devolva o produto à sua unidade de reciclagem local ou entre em contacto com o departamento municipal.



### AVISO!

#### Risco de ferimentos ou de asfixia!

Refrigerantes e gases devem ser eliminados de forma profissional. Certifique-se de que a tubagem do circuito de refrigeração não é danificada antes de ser devidamente eliminada. Desligue o aparelho da rede elétrica. Corte o cabo de alimentação e elimine-o. Retire as bandejas e gavetas, assim como o fecho das portas e os vedantes, para evitar que crianças e animais de estimação fiquem fechados no aparelho.

Os aparelhos antigos ainda têm algum valor residual. Um método de eliminação amigo do ambiente irá garantir que matérias-primas valiosas possam ser recuperadas e utilizadas novamente.

O ciclopentano, uma substância inflamável não prejudicial ao ozono, é utilizado como expansor para a espuma isolante.

Ao assegurar que este produto é eliminado corretamente, ajuda a prevenir potenciais consequências negativas para o ambiente e para a saúde humana, que de outra forma poderiam ser causadas.

Para informações mais detalhadas sobre a reciclagem deste produto, contacte o seu município local, o serviço de eliminação de resíduos domésticos ou o local onde adquiriu o produto, manuseado por profissionais.

|  |    |
|--|----|
| 1- Informação de Segurança.....        | 4  |
| 2- Utilização prevista .....           | 8  |
| 3- Descrição do produto.....           | 10 |
| 4- Painel de controlo.....             | 11 |
| 5- Uso.....                            | 12 |
| 6- Dicas para poupança de energia..... | 20 |
| 7- Equipamento .....                   | 21 |
| 8- Cuidados e limpeza.....             | 24 |
| 9-Resolução de problemas.....          | 27 |
| 10- Instalação.....                    | 31 |
| 11- Dados Técnicos .....               | 34 |
| 12- Serviço ao cliente .....           | 35 |

Antes de ligar o aparelho pela primeira vez, leia as seguintes informações de segurança!



## AVISO!

### Antes da primeira utilização

- ▶ Assegure-se de que não existem danos causados pelo transporte.
- ▶ Remova todas as embalagens e mantenha-as fora do alcance das crianças.
- ▶ Aguarde pelo menos duas horas antes de instalar o aparelho para garantir que o circuito de refrigerante está totalmente eficiente.
- ▶ O aparelho é pesado, pelo que deve ser manuseado por, pelo menos, duas pessoas.

### Instalação

- ▶ O aparelho deve ser colocado num local bem ventilado. Garanta um espaço de pelo menos 20 cm por cima de 10 cm em volta do aparelho.
- ▶ Nunca coloque o aparelho numa área húmida ou num local onde possa ser salpicado com água. Limpe e seque salpicos de água e manchas com um pano macio e limpo.
- ▶ Não instale o aparelho sob luz solar direta ou na proximidade de fontes de calor (por exemplo, fogões de sala, aquecedores).
- ▶ Instale e nivele o aparelho numa área adequada ao seu tamanho e utilização.
- ▶ Mantenha as aberturas de ventilação no aparelho ou na estrutura embutida, livres de obstruções.
- ▶ Certifique-se de que as informações elétricas na placa de características estão de acordo com a rede de alimentação. Se não estiverem, contacte um electricista.
- ▶ O aparelho é operado por uma rede de alimentação de 220-240 VCA/50 Hz. A flutuação anormal da tensão pode fazer com que o aparelho não funcione, ou danifique o controlo de temperatura ou o compressor, ou pode fazer ocorrer um ruído anormal durante o funcionamento. Nesse caso, deve ser montado um regulador automático.
- ▶ Use uma tomada de ligação à terra separada para a rede de alimentação, que seja de fácil acesso. O aparelho deve ser ligado à terra.
- ▶ **Apenas para o RU:** O cabo de alimentação do aparelho está equipado com uma ficha de 3 fios (ligação à terra) que cabe numa tomada padrão de 3 fios (ligação à terra). Nunca corte ou desmonte o terceiro pino (ligação à terra). Após a instalação do aparelho, a ficha deve ficar acessível.
- ▶ Não utilize adaptadores multi-fichas e cabos de extensão.
- ▶ Certifique-se de que o cabo de alimentação não fica preso pelo aparelho. Não pise o cabo de alimentação.
- ▶ Não danifique o circuito do refrigerante.
- ▶ **Não coloque diversas tomadas portáteis ou fontes de alimentação portáteis na parte traseira do aparelho.**





## AVISO!

### Uso diário

- ▶ Este equipamento pode ser usado por crianças a partir dos 8 anos de idade e por pessoas com incapacidade física, sensorial ou mental, ou sem experiência e conhecimentos para o fazer, desde que supervisionadas ou devidamente orientadas relativamente ao uso seguro do equipamento e sobre os perigos envolvidos.
- ▶ Crianças com idades entre os 3 e os 8 anos podem carregar e descarregar aparelhos de refrigeração, mas não estão autorizadas a limpar e instalar aparelhos de refrigeração.
- ▶ Mantenha as crianças com menos de 3 anos afastadas do aparelho, exceto se forem constantemente supervisionadas.
- ▶ A limpeza e a manutenção não deve ser realizada por crianças sem a supervisão de um adulto.
- ▶ As crianças não podem brincar com o equipamento.
- ▶ **O aparelho deve ser posicionado de modo a que a ficha fique acessível.**
- ▶ Se ocorrer fuga de gás frio ou de outro gás inflamável nas proximidades do aparelho, desligue a válvula do gás com fuga, abra as portas e as janelas e não desligue a ficha do cabo de alimentação do aparelho ou de qualquer outro aparelho.
- ▶ Não esquecer que o aparelho está ajustado para operação a **uma gama de ambiente específica entre 10 e 38 °C**. O aparelho pode não funcionar corretamente se for deixado durante longos períodos a uma temperatura acima ou abaixo da faixa indicada.
- ▶ Não coloque artigos instáveis (objetos pesados, recipientes **cheios de água**) **em cima do aparelho, evite ferimentos pessoais** causados por quedas ou choques elétricos provocados pelo contacto com a água.
- ▶ Não puxe pelas prateleiras da porta. A porta pode ser puxada inclinada, o suporte de garrafas pode ser puxado ou o aparelho pode tombar.
- ▶ Abra e feche as portas apenas com os puxadores. O espaço entre as portas e entre as portas e o armário é muito estreito. Não coloque as mãos nestes espaços para evitar trilhar os dedos. Abra ou feche as portas apenas quando não estiverem crianças ao alcance do movimento da porta.
- ▶ Não armazene ou utilize materiais inflamáveis, explosivos ou corrosivos no aparelho ou nas suas proximidades.
- ▶ Não armazene medicamentos, bactérias ou agentes químicos no aparelho Este aparelho é um eletrodoméstico. Não é recomendado o armazenamento de materiais que exijam temperaturas rigorosas.
- ▶ Nunca guarde líquidos em garrafas ou latas (além de bebidas com alto teor de álcool) especialmente bebidas gaseificadas no congelador, pois estas rebentam durante o congelamento.

**AVISO!****Uso diário**

- ▶ Verifique o estado dos alimentos se ocorreu algum aquecimento no congelador.
- ▶ Não coloque a temperatura baixa no compartimento frigorífico sem necessidade. Podem ocorrer temperaturas negativas em configurações altas. Atenção: As garrafas podem rebentar.
- ▶ Não toque em produtos congelados com as mãos molhadas (use luvas). Não deve comer gelados imediatamente após serem retirados do compartimento do congelador. Existe risco de congelamento ou de formação de bolhas de gelo. PRIMEIROS SOCORROS: colocar as mãos imediatamente debaixo de água fria corrente. Não se afaste!
- ▶ Não toque na superfície interna do compartimento congelador durante o funcionamento, especialmente com as mãos molhadas, pois as suas mãos podem congelar na superfície.
- ▶ Desligue o aparelho da tomada no caso de uma interrupção de energia ou antes da limpeza. Aguarde pelo menos 5 minutos antes de reiniciar o aparelho, porque os reinícios frequentes podem danificar o compressor.
- ▶ Não use aparelhos elétricos dentro dos compartimentos de armazenamento de alimentos do aparelho, exceto se forem do tipo recomendado pelo fabricante.
- ▶ Use apenas água potável nos modelos com dispensador de água.

**Manutenção / limpeza**

- ▶ Certif44268ique-se de que as crianças são supervisionadas se realizarem a limpeza e a manutenção.
- ▶ Desligue o aparelho da alimentação elétrica antes de realizar qualquer manutenção de rotina. Aguarde pelo menos 5 minutos antes de reiniciar o aparelho, porque os reinícios frequentes podem danificar o compressor.
- ▶ Ao desligar o dispositivo, puxe pela ficha e não pelo cabo. .
- ▶ Não raspe gelo com objetos pontiagudos. Não use sprays, aquecedores elétricos, secadores de cabelo, equipamento de limpeza a vapor ou outras fontes de calor, para evitar danificar as partes plásticas.
- ▶ Não usar dispositivos mecânicos ou outros meios para acelerar o processo de descongelação, além dos recomendados pelo fabricante.
- ▶ **Não limpe o aparelho com escovas duras, escovas de arame, detergentes em pó, combustíveis, acetato de amilo, acetona e soluções orgânicas semelhantes, soluções ácidas ou alcalinas. Limpe com detergente especial para frigoríficos para evitar danos.**
- ▶ **Use água morna e solução de bicarbonato de sódio - cerca de uma colher de sopa de bicarbonato de sódio para um litro/quarto de água. Enxague bem com água e seque. Não utilize detergentes em pó ou outros produtos de limpeza abrasivos. Não lave as peças amovíveis na máquina de lavar louça.**



## AVISO!

### Manutenção / limpeza

- ▶ Se o cabo de alimentação estiver danificado, deve ser substituído pelo fabricante, pelo seu agente de serviço ou por pessoas qualificadas, para evitar perigo.
- ▶ Não tente reparar, desmontar ou modificar o aparelho sozinho. Em caso de reparação, entre em contacto com o nosso serviço ao cliente.
- ▶ Para evitar perigo, se as lâmpadas de iluminação estiverem danificadas, devem ser substituídas pelo fabricante, pelo seu agente de serviço ou por pessoas qualificadas.
- ▶ Elimine a poeira na parte de trás da unidade pelo menos uma vez por ano para evitar riscos de incêndio, assim como o aumento do consumo de energia.
- ▶ Não pulverize ou lave o aparelho durante a limpeza.
- ▶ Não use spray de água ou vapor para limpar o aparelho.
- ▶ Não limpe as prateleiras de vidro frias com água quente. As mudanças bruscas de temperatura podem fazer o vidro partir.
- ▶ Se deixar o seu aparelho fora de uso durante um longo período, deixe-o aberto para evitar que se acumulem no seu interior odores e maus cheiros.

### Informações sobre gás refrigerante



## AVISO!

O aparelho contém o refrigerante inflamável ISOBUTANE (R600a). Certifique-se de que o circuito de refrigeração não é danificado durante o transporte ou instalação. A fuga de refrigerante pode causar lesões oculares ou ignição. Se tiver ocorrido algum dano, afaste-se das fontes abertas de incêndio, ventile bem a sala, não ligue ou desligue os cabos de alimentação do aparelho ou de qualquer outro aparelho. Informe o serviço ao cliente.

No caso dos olhos entrarem em contacto com o líquido refrigerante, enxague imediatamente com água corrente e consulte imediatamente o oftalmologista.

**AVISO: O sistema de refrigeração encontra-se sob alta pressão. Não faça alterações. Uma vez que são usados refrigerantes inflamáveis, instale, manuseie e realize a manutenção do aparelho estritamente de acordo com as instruções fornecidas e entre em contacto com o agente profissional ou com o nosso serviço pós-venda para eliminar o aparelho.**

## 2.1 Utilização prevista

Este aparelho destina-se a ser utilizado em aplicações domésticas e similares, tais como:

- cozinhas para pessoal em lojas, escritórios e outros ambientes de trabalho;
  - clientes em hotéis, motéis e outros ambientes tipo residenciais;
  - alojamentos do tipo “bed and breakfast”;
  - catering e aplicações não comerciais similares.
- ▶ Se o aparelho não for utilizado durante um longo período de tempo, e ser utilizada apenas a função Férias ou a função Frigorífico desligado para o frigorífico/congelador:
- Retire os alimentos.
  - Desligue o cabo de alimentação.
  - Esvazie e limpe o dispensador de água.
  - Limpe o aparelho como descrito acima.
  - Mantenha as portas abertas para evitar a criação de maus cheiros no interior.
- ▶ Para garantir a preservação segura de alimentos ou vinho, cumpra com estas instruções para uso.
- ▶ Para evitar a contaminação dos alimentos (não válido para vinhos de adega), respeite as seguintes instruções:
- A abertura da porta durante longos períodos pode causar um aumento significativo da temperatura nos compartimentos do aparelho.
  - Limpe regularmente as superfícies que possam entrar em contacto com alimentos e sistemas de drenagem acessíveis.
  - Limpe os tanques de água limpa, se não forem usados durante 48 horas; lave o sistema de água ligado ao fornecimento de água se a água não for extraída durante 5 dias.
  - Guarde carne e peixe crus em recipientes adequados no frigorífico/congelador, que não fiquem em contacto ou que pinguem sobre outros alimentos. Para garantir a conservação segura dos alimentos, os alimentos instantâneos e a carne/peixe crus devem ser guardados separadamente.
  - Os compartimentos de alimentos congelados de duas estrelas são adequados para alimentos pré-congelados, armazenar ou fazer gelados e cubos de gelo.
  - Os compartimentos de uma, duas e três estrelas não são adequados para congelar alimentos frescos.
  - Se o aparelho de refrigeração ficar vazio durante longos períodos, deve desligar, descongelar, limpar, secar o mesmo e deixar a porta aberta para evitar o desenvolvimento do bolor no interior.
- ▶ Os detalhes sobre a parte mais adequada no compartimento do aparelho, onde os tipos específicos de alimentos devem ser guardados, considerando a distribuição da temperatura que pode estar presente nos diferentes compartimentos do aparelho encontram-se na parte do outro manual.

### Eliminação

O símbolo no produto ou na sua embalagem indica que este produto não pode ser tratado como resíduo doméstico. Em vez disso deve ser levado para o ponto de recolha apropriado para a reciclagem de equipamento elétrico e eletrónico. Ao assegurar que este produto é eliminado corretamente, ajuda a prevenir potenciais consequências negativas para o ambiente e para a saúde humana, que podem ser causadas pela eliminação incorreta deste produto. Para mais informações sobre a reciclagem deste produto, contacte o departamento do município local, o serviço de eliminação de resíduos domésticos ou o local onde adquiriu o produto.

Dado que são usados gases de isolamento inflamáveis, entre em contacto com o agente profissional ou com o nosso serviço pós-venda para eliminar o aparelho.



### AVISO!

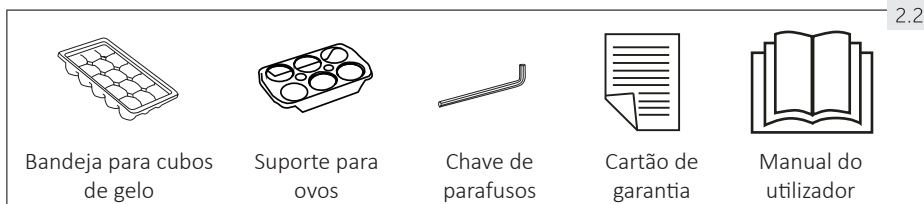
#### Risco de ferimentos ou de asfixia!

Refrigerantes e gases devem ser eliminados de forma profissional. Certifique-se de que a tubagem do circuito de refrigeração não está danificada antes de eliminar o aparelho adequadamente. Desligue o aparelho da rede de alimentação. Corte o cabo de alimentação e elimine-o. Retire as bandejas e gavetas, assim como o fecho das portas e as vedações para evitar que crianças e animais de estimação se fechem no aparelho.

Não são permitidas alterações ou modificações no dispositivo. O uso não intencional pode causar perigos e perda de garantias.

## 2.2 Acessórios

Verifique os acessórios e a literatura de acordo com esta lista (Fig. 2.2):

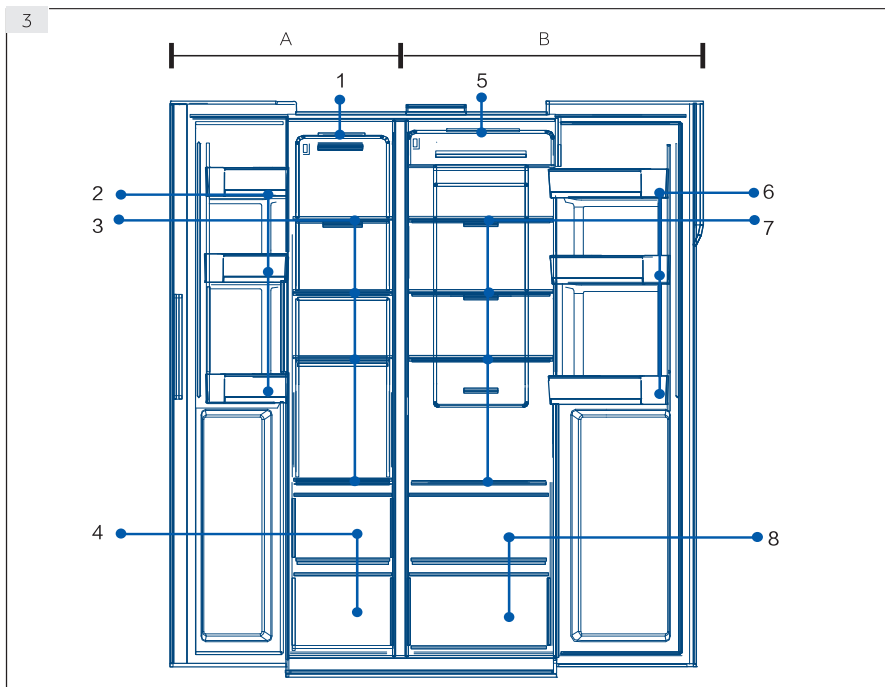


2.2

**i** **Aviso**

Devido a alterações técnicas e modelos diferentes, algumas das ilustrações deste manual podem diferir do seu modelo.

**Fotos de aparelhos (Fig. 3)**

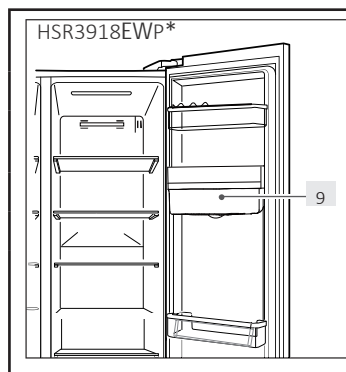


**A: Compartimento congelador**

1. Lâmpada de teto
2. Prateleiras da porta/ suporte de garrafas
3. Prateleiras congelador
4. Caixa Congeladora

**B: Compartimento frigorífico**

5. Lâmpada de teto
6. Prateleiras da porta/ suporte de garrafas
7. Prateleiras frigorífico
8. Caixa Frigorífico
9. Dispensador de água



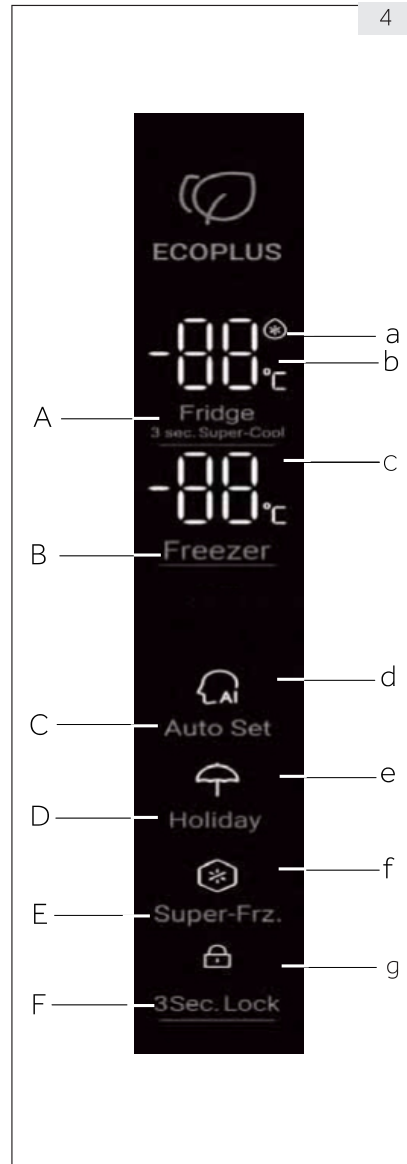
**Painel de controlo** (Fig. 4)

**Teclas:**

- A Seletor frigorífico
- B Seletor de congelador
- C Modo Fuzzy
- D Modo Férias
- E Modo de super-Freeze
- F Seletor bloqueio do painel

**Indicadores:**

- a Modo Super-Cool
- b Frigorífico Temperatura
- c Temperatura Congelador
- d Modo Fuzzy
- e Modo Férias
- f Modo Super-Freeze
- g Bloqueio do painel



### 5.1. Primeira utilização

Quando o frigorífico é alimentado pela primeira vez com energia, o visor é ligado. A temperatura padrão do compartimento frigorífico é de 4 °C, e o congelador é de -18 °C. A luz da função inteligente está acesa.

### 5.2. Bloquear/desbloquear painel

#### Bloqueio automático:

Quando a porta do frigorífico e a porta do congelador estão fechadas, e não há nenhuma operação em nenhum botão durante 30s, a luz do painel desliga-se automaticamente e o painel é bloqueado.

#### Bloqueio manual:

Quando o painel está desbloqueado, pressione o botão Lock durante 3 segundos e a campainha emitirá um som de zumbido, o indicador de lock está ligado e, de seguida, o visor é bloqueado.



Pressionar  
durante  
3 segundos

O indicador está ligado  
O painel está bloqueado

#### Desbloquear:

Quando o painel está desligado, abra qualquer porta do frigorífico ou toque em qualquer botão do painel de controlo, o painel acende. Neste momento, o painel está bloqueado. Pressione o botão de função de bloqueio durante 3 segundos, a campainha toca, o indicador de bloqueio está desligado e o painel está desbloqueado.



O painel está  
ligado  
Abra a porta ou  
pressione um  
dos botões

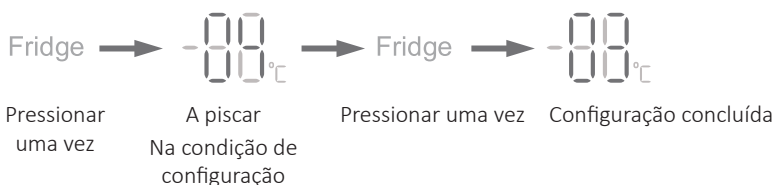
Mantenha  
durante  
3 seg.

O indicador é desligado  
O painel é desbloqueado

### 5.3. Ajuste a temperatura do frigorífico

1. Quando o painel de controlo é desbloqueado, pressione o “Seletor de frigorífico”, e a campainha toca, o indicador de temperatura do Frigorífico pisca. Agora a temperatura do frigorífico pode ser ajustada.
2. De seguida, a cada pressão do seletor do frigorífico, a campainha soa, e a configuração diminui em 1. A sequência de deslocação está em loop contínuo como “4 °C / 3 °C / 2 °C / 1 °C / 9 °C / 8 °C / 7 °C / 6 °C / 5 °C / 4 °C”



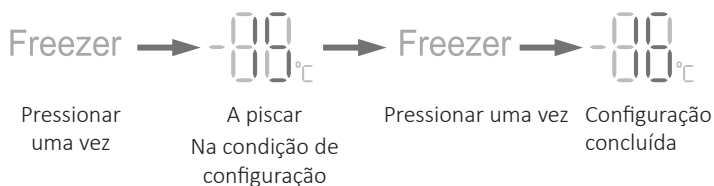


**i** **Aviso**

- ▶ O aparelho está predefinido para a temperatura recomendada de 4 °C (frigorífico) e -18 °C (congelador). Em condições ambientais normais, não é necessário definir uma temperatura.

#### 5.4. Ajuste a temperatura do congelador

1. Quando o painel de controlo estiver desbloqueado, pressione o “Seletor do Congelador”, e a campainha toca, o indicador de temperatura do congelador pisca. Agora a temperatura do congelador pode ser ajustada.
2. De seguida cada pressão do seletor do congelador, a campainha toca, e a temperatura diminui em 1. A sequência de deslocação está em loop contínuo como “-18 °C/-19 °C/-20 °C/-21 °C/-22 °C/-23 °C/-24 °C/-14 °C/-15 °C/-16 °C/-17 °C/-18 °C”.

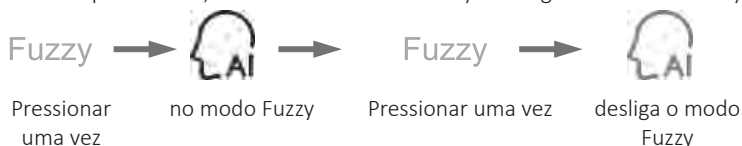


**i** **Aviso**

- ▶ A temperatura é definida, se nenhum botão for pressionado durante 5 segundos, a temperatura será automaticamente confirmada e guardada.

#### 5.5. Definir automaticamente

1. Quando o painel de controlo estiver desbloqueado, pressione “Seletor Modo Fuzzy”, e a campainha toca e o indicador do modo Fuzzy é ligado. O modo Fuzzy começa.
2. Quando o indicador do modo Fuzzy está ligado, pressione o seletor do modo Fuzzy e a campainha toca, o indicador do modo Fuzzy é desligado e o modo Fuzzy encerra.



### Aviso

- ▶ Quando o modo Fuzzy está ligado, a temperatura do frigorífico e a temperatura do congelador não podem ser selecionadas. Quando o seletor do frigorífico ou o seletor do congelador é pressionado, o indicador do modo Fuzzy pisca com sons, não esquecendo que a operação não é permitida. Com o modo Fuzzy, se a função de refrigeração rápida, congelamento rápida ou Férias for selecionada, o modo Fuzzy é desligado, e o modo Fuzzy encerra automaticamente.

## 5.6. Modo Férias

O modo de Férias é desenhado para a situação em que o refrigerador não será usado durante muito tempo. Quando o modo de férias está ligado, a temperatura do congelador pode ser selecionada, enquanto a temperatura do frigorífico é automaticamente definida para 17 °C, o que evita qualquer odor devido à alta temperatura no compartimento frigorífico, e também poupa no consumo de energia.

1. Quando o painel de controlo está desbloqueado, pressione o “Seletor de modo Férias”, e a campainha toca, o indicador de função de Férias é ligado. O modo Férias começa.
2. Quando o indicador do modo Férias está ligado, pressione o seletor de função Férias, e a campainha toca, o indicador do modo Férias é desligado, e o modo Férias encerra.

Holiday



em modo férias



Holiday



desliga o modo férias

Pressionar uma vez

Pressionar uma vez

### Aviso

- ▶ Quando o modo de Férias está ligado, a temperatura do frigorífico não pode ser selecionada. Quando o seletor do frigorífico é pressionado, o indicador do modo Férias pisca com sons que lembram que a operação não é permitida. Antes de selecionar o modo de férias, esvazie o compartimento frigorífico para evitar qualquer deterioração de alimentos. Com o modo de Férias ligado, a função inteligente e refrigeração rápida não podem ser selecionadas em simultaneamente. Se for selecionado o modo inteligente ou de refrigeração rápida, o indicador do modo Férias é desligado e a função encerra automaticamente.

## 5.7. Modo Super-Cool

1. Quando o painel de controlo está desbloqueado, pressione o “Seletor Frigorífico” durante 3 segundos, e a campainha emite um som, o indicador super frio acende. O modo super-cool inicia.
2. Quando o indicador super-cool é ligado, pressione o seletor do frigorífico durante 3s, a campainha toca, o indicador de super-cool é desligado. O modo super-cool encerra
3. Quando o modo super-cool está ligado, o refrigerador mudará automaticamente para

o modo super-cool desligado depois do modo super-cool alcançar a condição definida. Se quiser sair manualmente, pode pressionar o seletor do refrigerador durante 3s para desligar o modo super-cool.



### Aviso

- ▶ Com a função super-cool ligada, o modo Fuzzy e o modo Férias não podem ser selecionados em simultâneo. Se o modo Fuzzy ou modo Férias estiver selecionado, o indicador super-cool é desligado e encerra automaticamente.

## 5.8. Modo Super-Freeze

1. Quando o painel de controlo estiver desbloqueado, pressione o “Seletor Super-freeze”, e a campainha toca, o indicador de Super-freeze pisca. Modo Super-Freeze.
2. Com o indicador de Super-freeze ligado, pressione o seletor de Super-freeze, a campainha toca, o indicador de Super-freeze é desligado. O modo Super-freeze encerra.
3. Quando o modo Super-freeze está ligado, o frigorífico muda automaticamente para o estado de Super-freeze depois de o modo Super-freeze atingir a condição definida. Se quiser sair manualmente, pode pressionar o seletor de Super-freeze durante 3s para desligar o modo Super-freeze.



### Aviso

- ▶ O modo Super-freeze foi desenhado para sustentar os nutrientes dos alimentos no compartimento de congelamento, e os alimentos são congelados no menor tempo possível. Se for necessário congelar uma grande quantidade de alimentos em simultâneo, é recomendável configurar o modo Super-freeze com 24 horas de antecedência para atingir uma temperatura mais baixa no compartimento de congelamento antes de os alimentos serem colocados no congelador. Nesta condição, a velocidade de congelamento no compartimento do congelador é aumentada e os alimentos podem ser rapidamente congelados, bloqueando assim eficazmente os nutrientes dos alimentos e facilitando o seu armazenamento.

Na condição de Super-freeze, se quiser escolher a função inteligente, o indicador de Super-freeze é desligado, e o modo Super-freeze encerra automaticamente.

## 5.9. Alarme de porta aberta

Quando o tempo de abertura da porta é muito longo ou a porta não é fechada, o frigorífico emite sempre um alarme sonoro para o lembrar de fechar a porta a tempo.

## 5.10. Poupança de energia do painel de controlo

Se o painel de controlo estiver sem operação durante 30 segundos, é automaticamente desligado e entra no estado bloqueado, o que pode poupar energia. Quando o botão da função de bloqueio é pressionado ou qualquer porta é aberta, o painel de controlo é iluminado.

## 5.11. Função de memória da falha de energia

Quando o refrigerador é desligado, o estado de funcionamento no momento da falha de energia é memorizado. Depois da energia ser ligada novamente, o frigorífico continua a funcionar de acordo com a alteração e o estado funcional definido antes da falha de energia.

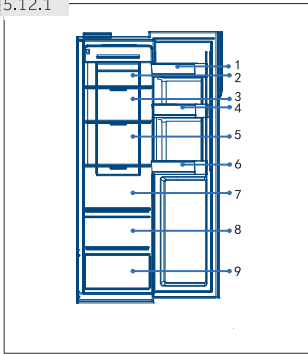
**Atenção:** A função de bloqueio não é memorizada. Depois de o frigorífico ser novamente ligado, o painel de controlo inicia a auto verificação, o indicador da função de bloqueio é desligado e o frigorífico é desbloqueado.

## 5.12. Informações sobre armazenamento de alimentos frescos

### 5.12.1 Armazenamento no compartimento frigorífico

- ▶ Mantenha a temperatura do seu frigorífico abaixo dos 5 °C.
- ▶ Os alimentos quentes devem ser arrefecidos até à temperatura ambiente antes de serem armazenados no aparelho.
- ▶ Os alimentos armazenados no frigorífico devem ser lavados e secos antes de serem armazenados
- ▶ Os alimentos a armazenar devem ser devidamente selados para evitar alterações de odor ou de sabor.
- ▶ Não armazene quantidades excessivas de alimentos. Deixe espaços entre os alimentos para permitir que o ar frio circule em volta, para um arrefecimento melhor e mais homogéneo.
- ▶ Os alimentos consumidos diariamente devem ser armazenados na parte da frente da prateleira
- ▶ Deixe um espaço entre os alimentos e as paredes interiores, para deixar o ar fluir. Não guarde alimentos contra a parede traseira: os alimentos podem congelar contra a parede traseira. Evite o contacto direto de alimentos (especialmente alimentos gordurosos ou ácidos) com o forro interior, pois o óleo/ácido pode provocar erosão do forro interior. Limpe a sujidade oleosa/ácida sempre que for encontrada.
- ▶ Descongele os alimentos congelados no compartimento de armazenamento do frigorífico. Desta forma, pode usar os alimentos congelados para diminuir a temperatura no compartimento e poupar energia.
- ▶ O processo de envelhecimento de frutas e legumes como curgetes, melões, papaia, banana, ananás, etc., pode ser acelerado no frigorífico. Por isso, não é aconselhável armazená-las no frigorífico. No entanto, o amadurecimento de frutos muito verdes pode ser acelerado durante um certo período. Cebolas, alho, gengibre e outros vegetais de raiz também devem ser armazenados à temperatura ambiente.
- ▶ Os odores desagradáveis no interior do frigorífico são um sinal de que algo foi derramado e que é necessário realizar uma limpeza. Consulte CUIDADOS E LIMPEZA.
- ▶ Alimentos diferentes devem ser colocados em áreas diferentes de acordo com as suas propriedades (Fig. 5.12.1/5.12.2):

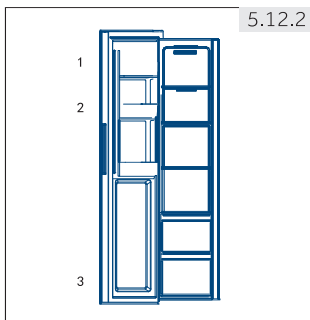
5.12.1



1. Manteiga, queijo, etc.
2. Alimentos em conserva, enlatados, etc.
3. Alimentos em conserva, enlatados, etc.
4. Latas, comida enlatada, especiarias, etc.
5. Produtos à base de carne, lanches, etc.
6. Bebidas e alimentos engarrafados.
7. Massas alimentares, conservas, leite, tofu, laticínios, etc.
8. Frutas, legumes, salada, etc
9. Carne cozinhada, salsichas, etc

### 5.12.2 Armazenamento no compartimento congelador

- ▶ Mantenha a temperatura do congelador a -18 °C.
- ▶ 24 horas antes de congelar, ligue a função Super-Freezer: - para pequenas quantidades de alimentos 4-6 horas são suficientes.
- ▶ Os alimentos quentes devem ser arrefecidos à temperatura ambiente antes de serem armazenados no compartimento congelador.
- ▶ Os alimentos cortados em pequenas porções irão congelar mais rapidamente e serão mais fáceis de descongelar e cozinhar. O peso recomendado para cada porção é inferior a 2,5 kg
- ▶ É melhor embalar os alimentos antes de os colocar no congelador. O exterior da embalagem deve estar seco para evitar que os sacos colem. Os materiais de embalagem devem ser inodoros, herméticos, não venenosos e não tóxicos.
- ▶ Para evitar a expiração dos períodos de armazenamento, anote a data de congelamento, o prazo e o nome do alimento na embalagem de acordo com os períodos de armazenamento dos diferentes alimentos.
- ▶ **AVISO!** Ácido, alcali, sal, etc. podem corroer a superfície interna do congelador. Não coloque os alimentos que contenham estas substâncias (por exemplo, peixes marinhos) diretamente na superfície interior. A água salgada no congelador deve ser limpa imediatamente.
- ▶ Não exceder os tempos de armazenamento dos alimentos recomendados pelos fabricantes. Retire do congelador apenas a quantidade necessária de alimentos.
- ▶ Alimentos diferentes devem ser colocados em áreas diferentes de acordo com as suas propriedades (Fig. 5.12.2):



5.12.2

1. Produtos menos pesados, tais como gelados, legumes, pão, etc.
2. Bebidas sem alto teor alcoólico e armazenamento temporário de bebidas espirituosas com alto teor alcoólico, peças pequenas como Pizza ou ervas.
3. Porções grandes/pesadas de alimentos, tais como peças de carne para assar

**Aviso: Armazenamento**

- ▶ Mantenha a distância superior a 10 mm entre os alimentos colocados e o sensor para garantir o efeito de refrigeração.
- ▶ Mantenha a gaveta mais baixa quando o aparelho estiver a funcionar, para garantir o efeito de refrigeração.
- ▶ Os alimentos com gelo (como gelados, etc.) devem ser guardados dentro do congelador em vez de no suporte de garrafas, pois as alterações de temperatura no suporte de garrafas causadas pela abertura e fecho das portas podem descongelar os alimentos.
- ▶ Consuma alimentos descongelados rapidamente. Os alimentos descongelados não podem ser novamente congelados exceto se forem cozinhados pela primeira vez, ou podem ficar estragados.
- ▶ Não coloque quantidades excessivas de alimentos frescos no compartimento congelador. Consulte a capacidade do congelador em DADOS TÉCNICOS ou os dados na placa de características.
- ▶ Os alimentos podem ser armazenados no congelador a uma temperatura de pelo menos  $-18\text{ }^{\circ}\text{C}$  durante 2 a 12 meses, dependendo das suas propriedades (por exemplo, a carne): 3-12 meses, vegetais: 6-12 meses)
- ▶ Ao congelar alimentos frescos, evite colocá-los em contacto com alimentos já congelados. Risco de descongelamento!
- ▶ Descongele os alimentos congelados no frigorífico. Desta forma, pode usar os alimentos congelados para diminuir a temperatura no frigorífico e poupar energia.

**5.12.3 Ao armazenar alimentos comercialmente congelados, siga estas orientações:**

- ▶ Cumpra sempre as diretrizes dos fabricantes relativamente ao período de tempo que pode armazenar os alimentos. Não ultrapassa estas instruções!
- ▶ Tente manter o período de tempo entre a compra e o armazenamento o mais curto quanto possível para preservar a qualidade dos alimentos.
- ▶ Compre alimentos congelados, que tenham sido armazenados a uma temperatura de  $-18\text{ }^{\circ}\text{C}$  ou menos.
- ▶ Evite comprar alimentos que contenham gelo ou com a embalagem congelada- Isto indica que os produtos podem ter sido parcialmente descongelados e congelados novamente o que pode provocar o aumento da temperatura e afetar a qualidade dos alimentos.

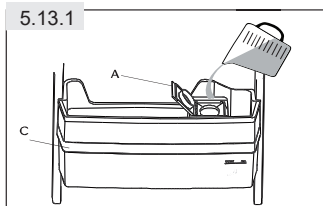
**5.13 Dispensador de água(HSR3918EWP\*)**

Com o dispensador de água, a água fria pode ser da torneira.

O dispensador de água deve ser limpo antes da primeira utilização (ver CUIDADO E LIMPEZA).

**5.13.1 Encher o dispensador de água****AVISO!**

Use apenas água potável.

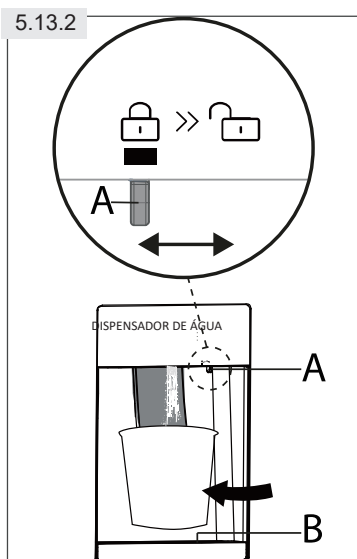


1. Certifique-se de que o dispensador de água está corretamente colocado (ver EQUIPAMENTO)
2. Abra a tampa (A) e despeje água potável fresca no dispensador de água (Fig. 5.13.1)
3. Encha com água até à marca (2,5 l) para não transbordar quando a porta se abre e fecha.
4. Feche completamente a tampa (A).

**i** **Aviso: Dispensador de água**

- ▶ Antes de voltar a encher, elimine a água residual e limpe o dispensador de água.
- ▶ Quando não precisar de água durante muito tempo, esvazie o dispensador de água e coloque um dispensador limpo.
- ▶ **A tampa (C) do dispensador de água (Fig. 5.13.1) é adicionalmente utilizada para poupar energia.** Se não quiser obter água do dispensador de água durante um longo período, instale a tampa para melhor isolamento e poupança de energia.

### 5.13.2 Retirar água do dispensador



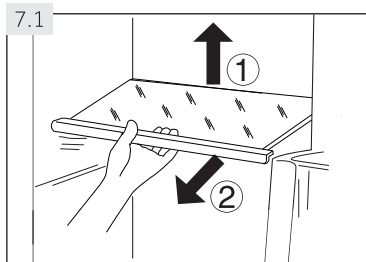
1. Certifique-se de que o bloqueio (A) é movido para "Unlock" (Fig. 5.13.2).
2. Coloque um copo por baixo da saída de água.
3. Empurre-o suavemente contra a alavanca do dispensador com o seu copo. Certifique-se de que o copo está alinhado com o dispensador para evitar salpicos.
4. A água na bandeja (B) deve ser sempre removida, pois pode transbordar quando a porta abre e fecha.
5. Deslize o bloqueio (A) para a posição "Lock"



### **Poupança de energia**

- ▶ Confirme se o aparelho está bem ventilado (consulte INSTALAÇÃO).
- ▶ Não instale o aparelho sob luz solar direta ou na proximidade de fontes de calor (por exemplo, fogões de sala, aquecedores).
- ▶ Evite temperaturas desnecessariamente baixas no aparelho. Quanto mais baixa for a temperatura no aparelho mais alto é o consumo de energia.
- ▶ Funções como Super-Cool ou Super-Freeze consomem mais energia.
- ▶ Deixe os alimentos pré-cozinhados arrefecer antes de os colocar no aparelho.
- ▶ Abra a porta do aparelho o mínimo de vezes possível e o mais breve possível.
- ▶ Não encha demasiado o aparelho para evitar obstruir o fluxo de ar.
- ▶ Evite o ar dentro da embalagem dos alimentos.
- ▶ Mantenha os vedantes das portas limpos para que a porta feche sempre corretamente.
- ▶ Descongele os alimentos congelados no compartimento de armazenamento do frigorífico.





## 7.1 Prateleiras reguláveis

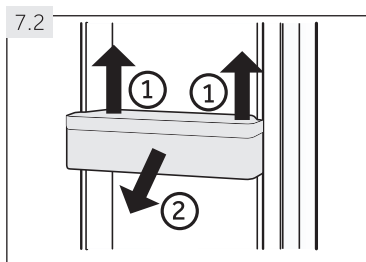
A altura das prateleiras pode ser ajustada de acordo com as necessidades de armazenamento.

1. Para recolocar uma prateleira, remova-a primeiro levantando o rebordo traseiro (1) e puxando-a para fora (2) (Fig. 7.1).
2. Para a reinstalar, coloque-a sobre os olhais de ambos os lados e empurre-a para a posição mais traseira até que a parte de trás da prateleira esteja fixada no interior das ranhuras laterais.



### Aviso: Prateleiras

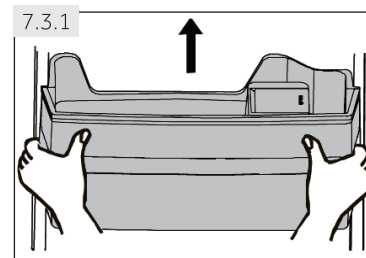
Certifique-se de que todas as extremidades de uma prateleira estão niveladas.



## 7.2 Prateleiras/suporte de garrafas amovíveis da porta

As prateleiras/suporte de garrafas da porta podem ser retirados para limpeza:

1. Coloque as mãos em cada lado da prateleira e levante-a para cima (1) (Fig. 7.2).
2. Puxe a prateleira/suporte de garrafas da porta para fora (2).
3. Para colocar a prateleira/suporte de garrafas da porta, os passos acima são executados pela ordem inversa.




## 7.3 Dispensador de água(HSR3918EWP\*)

### 7.3.1 Retirar o dispensador de água

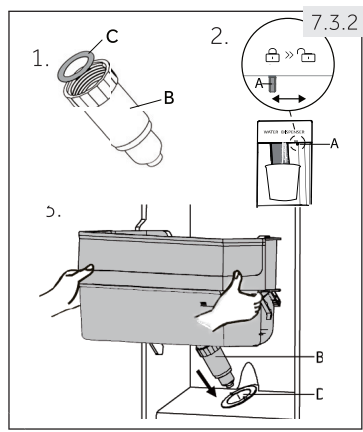
O dispensador de água pode ser removido e reinstalado para limpeza da mesma forma que as prateleiras das portas (Fig. 7.3.1).

### 7.3.2 Inserir o dispensador de água

1. Certifique-se que o bico distribuidor (B) está firmemente aparafusado ao dispensador de água e que o anel branco 0 (C) está na posição correta (Fig. 7.3.2-1.).
2. Deslize o bloqueio (A) para a posição “Lock 

#### **Aviso: Dispensador para água**

- ▶ Se o dispensador de água não estiver devidamente inserido, a água pode pingar da ligação.
- ▶ Não utilize força excessiva ao remover ou inserir o dispensador de água, para evitar danificar o dispensador.



### 7.4 Suporte de garrafas - compartimento congelador

Os suportes das garrafas do compartimento de congelamento destinam-se ao armazenamento temporário de bebidas espirituosas com elevado teor alcoólico. As bebidas sem álcool devem ser refrigeradas no frigorífico.

Além disso, pode armazenar pequenas peças nos suportes de garrafas.



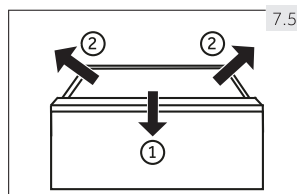
#### **AVISO!**

Garrafas e latas podem rebentar! Defina um temporizador que o lembrará de retirar garrafas/latas sem alto teor de álcool.

### 7.5 Gavetas removíveis

Para retirar a gaveta do frigorífico ou do congelador, puxe até à extensão máxima (1), levante e retire (2) (Fig. 7.5).

Para colocar a gaveta, os passos acima são executados pela ordem inversa.



### 7.6 Lâmpada

A lâmpada LED interior acende quando a porta é aberta. O rendimento das lâmpadas não é afetado por nenhum ajuste de outros aparelhos.



## AVISO!

Desligue o aparelho da rede de alimentação antes de limpar.

### 8.1 Limpeza

Limpe o aparelho quando tiver poucos ou nenhuns alimentos armazenados.

O aparelho deve ser limpo a cada quatro semanas para uma boa manutenção e para evitar maus odores dos alimentos armazenados.

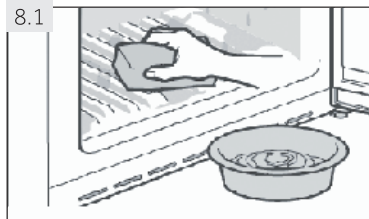


## AVISO!

Não limpe o aparelho com escovas duras, escovas de arame, detergentes em pó, combustíveis, acetato de amilo, acetona e soluções orgânicas semelhantes, soluções ácidas ou alcalinas. Limpe com detergente especial para frigorífico para evitar danos.

- ▶ Não pulverize ou lave o aparelho durante a limpeza.
- ▶ Não use spray de água ou vapor para limpar o aparelho.
- ▶ Não limpe as prateleiras de vidro frias com água quente. As mudanças bruscas de temperatura podem fazer o vidro partir.
- ▶ Não toque na superfície interior do compartimento congelador, especialmente com as mãos molhadas, para não congelar a superfície.
- ▶ Em caso de aquecimento, verifique o estado dos produtos congelados.

8.1



- ▶ Mantenha a junta da porta sempre limpa
- ▶ Limpe o interior e o armário do aparelho com uma esponja humedecida em água morna e detergente neutro (Fig. 8.1).


1. Esfregue o interior e o exterior do frigorífico, incluindo o vedante das portas, prateleiras das portas, prateleiras de vidro, caixas, etc., com um pano ou esponja macia mergulhada em água morna (pode adicionar detergente neutro à água morna).
2. Se houver líquido derramado, retire todas as partes contaminadas, enxague diretamente com água corrente, seque e coloque novamente no frigorífico.
3. Se houver creme derramado (como creme, gelado derretido), remova todas as partes contaminadas, coloque em água morna a cerca de 40 °C durante algum tempo, depois enxague com água corrente, seque e coloque novamente no frigorífico. -
4. No caso de alguma peça ou componente pequena ficar preso no interior do frigorífico (entre as prateleiras ou as gavetas), use uma pequena escova macia para a soltar. Se não conseguir chegar à peça, entre em contacto com o serviço da Haier.

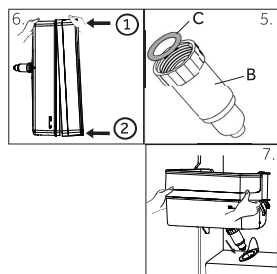
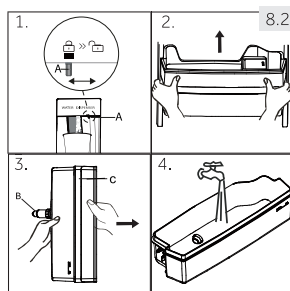
- ▶ Enxague e seque com um pano suave.
- ▶ Não limpe nenhuma das partes do aparelho na máquina de lavar louça.
- ▶ Aguarde durante 5 minutos antes de reiniciar o aparelho, porque os reinícios frequentes podem danificar o compressor.

## Descongelação

A descongelação do frigorífico e do congelador é realizada automaticamente; não é necessária qualquer operação manual.

### 8.2 Limpeza do dispensador de água (Fig. 8.2)(HSR3918EWP\*)

1. Deslize o bloqueio (A) para a posição "Lock ".
2. Retire o dispensador de água do aparelho.
3. Retire a tampa (C) e desenrosque suavemente o bico dispensador (B).
4. Limpe o dispensador de água e o bico dispensador com água quente corrente e detergente líquido para lavagem de louça. Assegure-se de que todo o detergente foi enxaguado.
5. Monte o bico dispensador (B) e certifique-se de que está firmemente aparafusado ao dispensador de água e que o O-ring branco (C) está em posição.
6. Pressione a tampa para a combinar com um lado do dispensador de água e depois, do outro lado, verifique se o dispensador de água e a tampa estão bem montados.
7. Substitua o dispensador no interior do aparelho. Certifique-se de que o bico dispensador está corretamente inserido no orifício da porta.



### 8.3 Substituição da lâmpada LED



#### AVISO!

Não substitua a lâmpada LED; esta só pode ser substituída pelo fabricante ou pelo agente de serviço autorizado.

A lâmpada adota LED como fonte de luz e apresenta baixo consumo de energia e longa duração de vida útil: Se ocorrer alguma avaria, entre em contacto com o atendimento ao cliente para a substituir. Consulte SERVIÇO AO CLIENTE.

Parâmetros das lâmpadas: :12 V max. 3 W.

### 8.4 Não utilização durante um período mais longo

Se o aparelho não for utilizado durante um longo período de tempo, e não for usada a função Férias para o frigorífico:

- ▶ Retire os alimentos.
- ▶ Esvazie e limpe o dispensador de água.
- ▶ Desconecte o cabo de alimentação.
- ▶ Limpe o aparelho como descrito acima.
- ▶ Mantenha as portas abertas para evitar a criação de maus cheiros no interior.



#### **Aviso: Desligar**

Desligue o aparelho apenas se for estritamente necessário.

### 8.5 Movimentar o aparelho

1. Retire todos os alimentos e desligue o aparelho da tomada.
2. Fixe as prateleiras e outras partes móveis no frigorífico e no congelador com fita adesiva.
3. Não incline o aparelho mais do que 45° para evitar danificar o sistema de refrigeração.



#### **AVISO!**

Não levante o aparelho pelos seus puxadores.

- ▶ Não coloque o aparelho horizontalmente no chão.

Muitos problemas que ocorrem podem ser resolvidos sem conhecimentos específicos. Em caso de um problema, verifique todas as possibilidades apresentadas e cumpra as instruções abaixo antes de contactar um serviço pós-venda. Consulte SERVIÇO AO CLIENTE.

**AVISO!**

Antes da manutenção, desligue o aparelho e retire a ficha da alimentação da tomada elétrica.

- ▶ Os equipamentos elétricos só devem ser reparados por peritos elétricos qualificados, porque reparações incorretas podem causar danos consideráveis.
- ▶ Se o cabo de alimentação estiver danificado, deve ser substituído pelo fabricante, pelo seu agente de serviço ou por pessoas qualificadas, para evitar perigo.

| Problema  | Possível Causa  | Possível solução  |
|---|---|---|
| O compressor faz a rede.  | <ul style="list-style-type: none"> <li>• Se a ficha não está ligada à tomada de corrente elétrica.</li> <li>• O aparelho está no ciclo de descongelamento.</li> </ul>   | <ul style="list-style-type: none"> <li>• Ligue a ficha de alimentação.</li> <li>• Isto é normal para uma descongelação automática.</li> </ul>   |
| O aparelho funciona com frequência ou funciona por um período de tempo muito longo. | <ul style="list-style-type: none"> <li>• A temperatura interior ou exterior é demasiado elevada.</li> <li>• O aparelho esteve fora de serviço durante um período de tempo.</li> <li>• Uma das portas não está bem fechada.</li> <li>• A porta foi aberta com muita frequência ou durante demasiado tempo.</li> <li>• O ajuste da temperatura para o compartimento do congelador é muito baixo.</li> <li>• A junta da porta está suja, gasta, rachada ou desajustada.</li> <li>• A circulação de ar necessária não é garantida.</li> </ul> | <ul style="list-style-type: none"> <li>• Neste caso, é normal que o aparelho funcione durante mais tempo.</li> <li>• Normalmente, demora 8 a 12 horas para que o aparelho arrefeça completamente.</li> <li>• Feche a porta e certifique-se que o aparelho se encontra num terreno plano e que não há alimentos nem frascos a impedir de fechar a porta.</li> <li>• Não abra as portas com frequência.</li> <li>• Ajuste a temperatura para mais alto até obter uma temperatura satisfatória no frigorífico. A temperatura do frigorífico demora 24 horas até ficar estável.</li> <li>• Limpe a junta da porta ou mande-a substituir pelo serviço ao cliente.</li> <li>• Garanta a ventilação adequada.</li> </ul> |

| Problema  | Possível Causa  | Possível solução  |
|---|---|---|
| O interior do frigorífico está sujo e/ou com mau cheiro.                          | <ul style="list-style-type: none"> <li>• O interior do frigorífico deve ser limpo.</li> <li>• Os alimentos de cheiro forte são armazenados no frigorífico.</li> </ul>   | <ul style="list-style-type: none"> <li>• Limpe o interior do frigorífico.</li> <li>• Acondicione bem os alimentos.</li> </ul>   |
| Não está frio o suficiente no interior do aparelho.                               | <ul style="list-style-type: none"> <li>• A temperatura está excessivamente alta.</li> <li>• Foram guardados alimentos demasiados quentes.</li> <li>• Foram guardados muitos alimentos ao mesmo tempo.</li> <li>• Os alimentos estão muito perto uns dos outros.</li> <li>• Uma das portas não está bem fechada.</li> <li>• A porta foi aberta com muita frequência ou durante demasiado tempo.</li> </ul> | <ul style="list-style-type: none"> <li>• Redefina a temperatura.</li> <li>• Arrefeça sempre os alimentos antes de os armazenar.</li> <li>• Armazene sempre pequenas quantidades de alimentos.</li> <li>• Deixe um espaço entre os vários alimentos permitindo o fluxo de ar.</li> <li>• Feche a porta.</li> <li>• Não abra as portas com frequência.</li> </ul> |
| Está muito frio o interior do aparelho.   | <ul style="list-style-type: none"> <li>• A temperatura está excessivamente baixa.</li> <li>• A função Super-Cool/Super-Freeze está ativada ou está a funcionar há muito tempo.</li> </ul>   | <ul style="list-style-type: none"> <li>• Redefina a temperatura.</li> <li>• Desligue a função Super-Cool / Super-Freeze.</li> </ul>   |
| Formação de humidade no interior do compartimento frigorífico.                    | <ul style="list-style-type: none"> <li>• O ambiente é muito quente e muito húmido.</li> <li>• Uma das portas não está bem fechada.</li> <li>• A porta foi aberta com muita frequência ou durante demasiado tempo.</li> <li>• Os contentores para alimentos ou líquidos são deixados abertos.</li> </ul>   | <ul style="list-style-type: none"> <li>• Aumente a temperatura.</li> <li>• Feche a porta.</li> <li>• Não abra as portas com frequência.</li> <li>• Deixe os alimentos quentes arrefecer até à temperatura ambiente antes de os colocar no interior do congelador.</li> </ul>  |
| A humidade acumula-se na superfície exterior dos frigoríficos ou entre as portas. | <ul style="list-style-type: none"> <li>• O ambiente é muito quente e muito húmido.</li> <li>• A porta não está bem fechada. O ar frio no aparelho e o ar quente no exterior condensam.</li> </ul>   | <ul style="list-style-type: none"> <li>• Isto é normal em climas húmidos e vai mudar quando a humidade diminuir.</li> <li>• Assegure que a porta está bem fechada.</li> </ul>   |

| Problema   | Possível Causa   | Possível solução  |
|--|--|---|
| Muito gelo no compartimento do congelador.                   | <ul style="list-style-type: none"> <li>Os alimentos não foram adequadamente embalados.</li> <li>Uma das portas/gaveta não está bem fechada.</li> <li>A porta foi aberta com muita frequência ou durante demasiado tempo.</li> <li>A junta da porta está suja, gasta, rachada ou desajustada.</li> <li>Algo no interior impede a porta de fechar corretamente.</li> </ul> | <ul style="list-style-type: none"> <li>Acondicione sempre bem os alimentos.</li> <li>Feche a porta/gaveta.</li> <li>Não abra as portas com frequência.</li> <li>Limpe a junta da porta ou substitua-a por uma nova.</li> <li>Reposicione as prateleiras, as prateleiras das portas ou os contentores interiores para permitir que a porta feche.</li> </ul> |
| O aparelho faz ruídos anormais.                              | <ul style="list-style-type: none"> <li>O aparelho não está localizado em terreno plano.</li> <li>O aparelho toca algum objeto à sua volta.</li> </ul>  | <ul style="list-style-type: none"> <li>Ajuste os pés para nivelar o aparelho.</li> <li>Remova objetos em volta do aparelho.</li> </ul>  |
| É ouvido um som leve semelhante ao da água corrente.         | <ul style="list-style-type: none"> <li>Isto é normal.</li> </ul>   | <ul style="list-style-type: none"> <li>–</li> </ul>   |
| Ouve um bip de alarme.                                       | <ul style="list-style-type: none"> <li>A porta está aberta.</li> </ul>   | <ul style="list-style-type: none"> <li>Feche a porta.</li> </ul>  |
| Ouve um zumbido leve.  | <ul style="list-style-type: none"> <li>O sistema anti-condensação está a funcionar.</li> </ul>   | <ul style="list-style-type: none"> <li>Isto evita a condensação e é normal.</li> </ul>  |
| A iluminação interior ou o sistema de refrigeração faz rede. | <ul style="list-style-type: none"> <li>Se a ficha não está ligada à tomada de corrente elétrica.</li> <li>A alimentação não está intacta.</li> <li>Se a lâmpada LED está fundida.</li> </ul>   | <ul style="list-style-type: none"> <li>Ligue a ficha de alimentação.</li> <li>Verifique a alimentação elétrica da sala. Ligue para a companhia de eletricidade local!</li> <li>Ligue para o serviço para substituir a lâmpada.</li> </ul>   |
| Os lados do armário e a tira da porta aquecem.               | <ul style="list-style-type: none"> <li>Isto é normal.</li> </ul>   | <ul style="list-style-type: none"> <li>–</li> </ul>   |
| Não está a sair água do bico dispensador de água             | <ul style="list-style-type: none"> <li>O bloqueio não está desativado.</li> </ul>  | <ul style="list-style-type: none"> <li>Desative o bloqueio.</li> </ul>  |



## 9.2 Interrupção de energia

No caso de um corte de energia, os alimentos devem permanecer frios em segurança durante cerca de 5 horas. Cumpra estas indicações durante uma interrupção prolongada da energia elétrica, especialmente no verão:

- ▶ Abra a porta/gaveta o menor número de vezes possível.
- ▶ Não coloque alimentos adicionais no aparelho durante uma interrupção de energia.
- ▶ Se for recebida uma notificação prévia de interrupção de energia e a duração da mesma for superior a 5 horas, faça gelo e coloque-o num recipiente na parte superior do compartimento frigorífico.
- ▶ É necessária uma inspeção dos alimentos imediatamente após a interrupção.
- ▶ Como a temperatura no frigorífico irá subir durante a interrupção de energia ou outra falha, o período de armazenamento e a qualidade dos alimentos será reduzida. Qualquer alimento que descongele deve ser consumido, ou cozinhado e congelado novamente (quando apropriado) imediatamente para evitar riscos para a saúde.



### **Aviso: Função de memória depois da interrupção de energia**

Após o restabelecimento da energia, o aparelho continua com as configurações que foram definidas antes da falha de energia.

## 10.1 Desembalagem



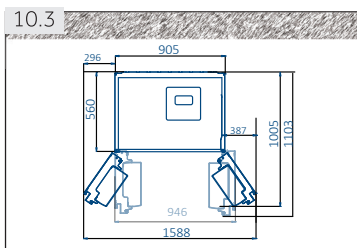
### AVISO!

- ▶ O aparelho é pesado. Movimentar o aparelho sempre com pelo menos duas pessoas.
- ▶ Mantenha todos os materiais de embalagem fora do alcance das crianças e elimine-os da forma ambientalmente correta.

- ▶ Retire o aparelho da embalagem.
- ▶ Remova todos os materiais de embalagem, incluindo a película protetora transparente.

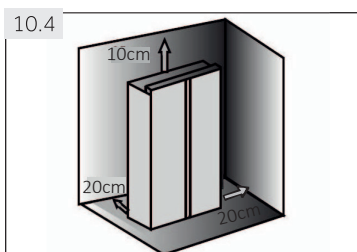
## 10.2 Condições ambientais

A temperatura ambiente deve estar sempre entre 16 °C e 43 °C, pois pode influenciar a temperatura no interior do aparelho e o seu consumo energético. Não instale o aparelho próximo de outros aparelhos emissores de calor (fornos, frigoríficos) sem isolamento.



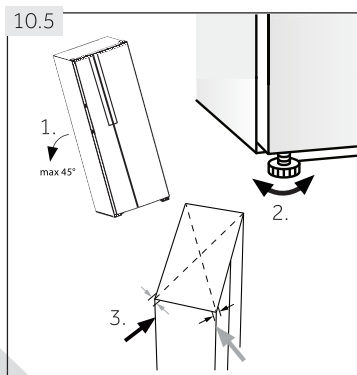
## 10.3 Requisitos de espaço

Espaço necessário quando a porta é aberta (Fig. 10.3):  
Largura do aparelho: 1588 mm Profundidade do aparelho: 1103 mm



## 10.4 Secção transversal da ventilação

Para obter uma ventilação suficiente do aparelho por razões de segurança, devem ser observadas as informações das secções transversais de ventilação (Fig. 10.4).



## 10.5 Alinhar o aparelho

O aparelho deve ser colocado sobre uma superfície plana e sólida.

1. Incline o aparelho ligeiramente para trás (Fig. 10.5).
2. Coloque os pés no nível pretendido.

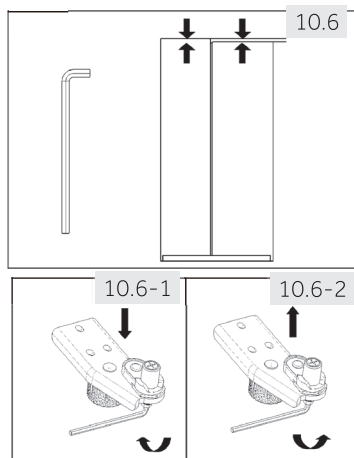
Certifique-se de que a distância até à parede nos lados da dobradiça é de pelo menos 5 cm.

3. A estabilidade pode ser verificada batendo alternadamente nas diagonais. A oscilação ligeira deve ser a mesma em ambas as direções. Caso contrário, o quadro pode deformar; o resultado é uma possível fuga do vedante da porta. Uma baixa tendência para a retaguarda facilita o encerramento das portas.

## 10.6 Ajuste fino das portas

Se as portas ainda não estiverem niveladas depois de ter nivelado os pés, este desajuste pode ser ajustado rodando o eixo de elevação da dobradiça no canto inferior direito da porta de refrigeração com uma chave (Fig. 10.6)

- ▶ Rode o eixo de elevação para a direita com chave para descer a altura da porta (Fig. 10.6-1).
- ▶ Rode o eixo de elevação com chave para a esquerda para levantar a porta (Fig. 10.6-2).

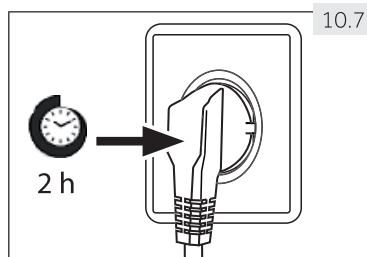


### AVISO!

Não ajuste o eixo de elevação da dobradiça excessivamente para uma altura que possa fazer com que o eixo deixe a sua posição original bloqueada. (Faixa de altura ajustável: 3 mm)

## 10.7 Tempo de espera

O óleo de lubrificação livre de manutenção está localizado na cápsula do compressor. Este óleo pode passar através do sistema fechado de tubos durante o transporte inclinado. Antes de ligar o aparelho à alimentação deve esperar pelo menos 2 horas (Fig. 10.7) para que o óleo volte a entrar na cápsula.



## 10.8 Ligação elétrica

### Antes de cada ligação verificar se:

- ▶ A tomada de alimentação e o fusível são apropriados para a placa de características.
- ▶ A tomada está ligada à terra e não tem multi-fichas ou extensão.
- ▶ A ficha e a tomada estão estritamente de acordo.

Ligue a ficha a uma tomada doméstica devidamente instalada.

**AVISO!**

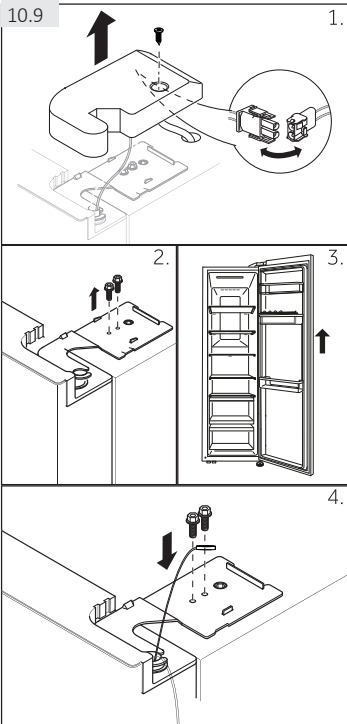
Para evitar riscos, um cabo de alimentação danificado deve ser substituído pelo serviço ao cliente (ver cartão de garantia).

**10.9 Remoção e instalação das portas**

Caso seja necessário remover as portas do aparelho, siga as instruções de remoção e instalação abaixo (Fig. 10.9)

**AVISO!**

- ▶ Antes da operação, desligue o aparelho e retire a ficha da alimentação da tomada elétrica.
- ▶ O aparelho é pesado. Movimentar o aparelho sempre com pelo menos duas pessoas.
- ▶ Não incline o aparelho mais de 45° ou coloque-o horizontalmente no chão




1. Desaperte o parafuso da tampa da dobradiça e retire a tampa. Liberte o conector do cabo.
2. Desaperte os parafusos que seguram a dobradiça superior e retire a dobradiça.
3. Levante a porta do compartimento frigorífico para a retirar.
4. Volte a montar a porta invertendo as etapas de remoção. Certifique-se de que o cabo de ligação à terra será fixado pelo parafuso.



## **Aviso: Porta do frigorífico**

As fotos mostram a remoção da porta do compartimento frigorífico. Para a porta do congelador, utilize as peças correspondentes do outro lado


**11.1 Ficha de produto de acordo com o regulamento EU Nr. 1060/2010**

|  |   |
|--|---|
| Marcas   | Haier   |
| Identificador do modelo  | HSR3918FNP*   |
| Categoria do modelo  | Frigorífico-congelador  |
| Classe de eficiência energética  | A+  |
| Consumo de energia anual (kWh/ano)   | 399   |
| Refrigeração do volume de armazenamento (L)  | 337   |
| Congelamento do volume de armazenamento (L) ****   | 167   |
| Classificação por estrelas   |  |
| Temperatura dos outros compartimentos > 14 °C  | Não aplicável   |
| Sistema Fostfree   | Sim   |
| Tempo de aumento da temperatura (h)  | 5   |
| Capacidade de congelamento (kg/24h)  | 10  |
| Classe climática   | SN-N-ST-T   |
| Este aparelho destina-se a ser utilizado a uma temperatura ambiente entre os 10 °C e os 43 °C. |   |
| Emissões de ruído acústico no ar (db(A) re 1pW)  | 38  |
| Tipo de construção   | Independente  |

Com base nos resultados dos testes padrão durante 24 horas. O consumo real de energia dependerá de como o aparelho é usado e de onde está localizado.

**11.1.1 Dados técnicos adicionais**

|                         |                 |
|-------------------------|-----------------|
| Tensão/Frequência       | 220-240V-/ 50Hz |
| Tensão de entrada (W)   | 200             |
| Fusível principal (A)   | 15              |
| Líquido refrigerante    | R600a           |
| Dimensões (A/L/P em mm) | 1775/908/647    |

**11.1.2 Normas e diretivas **

Este produto cumpre os requisitos de todas as diretivas CE aplicáveis com as normas harmonizadas correspondentes, que preveem a marcação CE.

Recomendamos no osso Serviço de Atendimento ao Cliente Haier e o uso de peças sobresselentes originais.

Se tiver algum problema com o seu aparelho, verifique primeiro a secção RESOLUÇÃO DE PROBLEMAS.

Se não encontrar uma solução entre em contacto com o

- ▶ seu revendedor local ou
- ▶ com a área de Serviço & Suporte em [www.haier.com](http://www.haier.com) onde pode encontrar números de telefone e FAQs e onde pode ativar a reclamação do serviço.

Para contactar o nosso Serviço, certifique-se de que tem disponíveis os seguintes dados.

A informação pode ser encontrada na placa de características.

Modelo \_\_\_\_\_ Nº. de série \_\_\_\_\_

Em caso de garantia, verifique também o Cartão de Garantia fornecido com o produto. .



**Haier**



0060528721





Gebruikershandleiding

Koelkast- diepvriezer

**HSR3918ENP\***

**HSR3918EWP\***

**HSR3918FNP\***

**\*=W,B,L,G,N**

NL

**Haier**

## Dank u voor uw aankoop van dit Haier product.

Lees deze handleiding grondig voor u het apparaat in gebruik neemt. De handleiding bevat belangrijke informatie die u zal helpen uw apparaat optimaal te gebruiken en het veilig en correct te installeren, gebruiken en onderhouden.

Bewaar deze handleiding zodat u hem steeds kunt raadplegen voor het veilig en correct gebruik van het apparaat.

Als u het apparaat verkoopt, wegschenkt, of achterlaat wanneer u verhuist, moet u deze handleiding ook meegeven zodat de nieuwe eigenaar vertrouwd kan raken met het apparaat en de veiligheidswaarschuwingen.

### Legenda

Waarschuwing- Belangrijke veiligheidsinformatie



Algemene informatie en tips



Milieu-informatie



### Verwijdering

Help het milieu en de gezondheid te beschermen. Plaats de verpakking in de geschikte containers om het te recyclen. Help afval van elektrische en elektronische apparaten recyclen. Gooi apparaten die voorzien zijn van dit symbool niet weg met huishoudelijk afval.

Retourneer het product naar uw lokale instelling of neem contact op met uw gemeentelijk kantoor.



### WAARSCHUWING!

#### Risico op letsels of verstikking!

Koelmiddelen en gassen moeten door professionals worden verwijderd. Zorg ervoor dat de leiding van het koelcircuit niet beschadigd is voor het correct verwijderd wordt. Koppel het apparaat los van het stroomnet. Snijd het netsnoer door en verwijder het. Verwijder de laden, de sleuven en de scharnieren en afdichtingen om te vermijden dat kinderen of huisdieren in het apparaat vastgeklemd kunnen raken.

Oude apparaten hebben nog wat restwaarde. Een milieuvriendelijke verwijderingsmethode zorgt ervoor dat waardevolle grondstoffen kunnen worden teruggewonnen en opnieuw gebruikt.

Cyclopentaan, een brandbare stof die niet schadelijk is voor ozon, wordt gebruikt voor expansie van het isolatieschuim.

Door ervoor te zorgen dat dit product correct wordt afgevoerd, helpt u mogelijke negatieve gevolgen voor het milieu en de volksgezondheid te voorkomen, die anders veroorzaakt kunnen worden.

Neem voor meer informatie over de recycling van dit product contact op met uw plaatselijke gemeente, uw vuilnisophalddienst of de winkel waar u het product heeft gekocht, en die door vakmensen wordt behandeld.

|                                     |    |
|-------------------------------------|----|
| 1- Veiligheidswaarschuwingen .....  | 4  |
| 2- Beoogd gebruik.....              | 8  |
| 3- Productbeschrijving.....         | 10 |
| 4- Bedieningspaneel .....           | 11 |
| 5- Gebruik .....                    | 12 |
| 6- Tips voor energiebesparing ..... | 20 |
| 7- Apparatuur .....                 | 21 |
| 8- Onderhoud en reiniging .....     | 23 |
| 9- Problemen oplossen.....          | 26 |
| 10- Installatie .....               | 30 |
| 11- Technische specificaties .....  | 34 |
| 12- Klantendienst.....              | 35 |

Lees de volgende veiligheidswaarschuwingen voordat u het apparaat voor de eerste keer inschakelt!



## WAARSCHUWING!

### Voor de eerste ingebruikname

- ▶ Zorg ervoor dat er geen schade is opgetreden tijdens het transport.
- ▶ Verwijder alle verpakking en buiten de buurt van kinderen bewaren.
- ▶ Wacht minimum twee uur voor u het apparaat monteert om zeker te zijn dat het koelcircuit correct en efficiënt werkt.
- ▶ Het apparaat moet altijd door minimum twee personen worden gedragen omdat het zo zwaar is.

### Installatie

- ▶ Het apparaat moet in een goed geventileerde locatie worden geplaatst. Zorg ervoor dat er minimum 20 cm boven en 10 cm rond het apparaat wordt gelaten.
- ▶ Plaats het apparaat nooit in een vochtige locatie waar de kans bestaat dat water op de koelkast spat. Reinig en droog waterspatten en vlekken met een zachte, schone doek.
- ▶ U mag het apparaat niet installeren in direct zonlicht of in de buurt van warmtebronnen (bijv. fornuizen, verwarming).
- ▶ Installeer en niveleer het apparaat in een ruimte die geschikt is voor de afmetingen en de toepassing van het apparaat.
- ▶ Houd de ventilatieopeningen in het apparaat of de ingebouwde structuur vrij van belemmeringen.
- ▶ Zorg ervoor dat de elektrische informatie op het typeplaatje overeenstemt met de stroomtoevoer. Zo niet moet u contact opnemen met een elektricien.
- ▶ Het apparaat werkt met een voeding van 220-240 VAC/50 Hz. Abnormale spanningsschommelingen kunnen ertoe leiden dat het apparaat niet start, of de temperatuurcontrole of de compressor beschadigen, of er kan abnormaal lawaai ontstaan tijdens de werking. In een dergelijk geval wordt een automatische regelaar gemonteerd.
- ▶ Gebruik een afzonderlijke aardgeleider voor de voeding die eenvoudig toegankelijk moet zijn. Het apparaat moet geaard zijn.
- ▶ **Alleen voor het VK:** Het netsnoer van het apparaat is uitgerust met een driepolige stekker (aarding) die past in een driepolige (geaarde) stekker. Snij de derde pin (aarding) nooit weg of demonteer ze niet. De stekker moet ook na de installatie toegankelijk zijn.
- ▶ Gebruik geen multi-stekker adapters of verlengsnoeren.
- ▶ Zorg ervoor dat het netsnoer niet geklemd zit onder de koelkast. Ga niet op het netsnoer staan.
- ▶ Beschadig het koelmiddelcircuit niet.
- ▶ **Plaats geen meervoudige stopcontacten of draagbare voedingen aan de achterzijde van het apparaat.**



## WAARSCHUWING!

### Dagelijks gebruik

- ▶ Dit apparaat mag gebruikt worden door kinderen ouder dan 8 jaar en personen met een lichamelijke, zintuiglijke of verstandelijke beperking of gebrek aan ervaring en kennis als zij in de gaten gehouden worden of aanwijzingen hebben gekregen over hoe zij het apparaat op veilige wijze kunnen gebruiken en als zij de bijbehorende gevaren begrijpen.
- ▶ Kinderen van 3 tot en met 8 jaar mogen levensmiddelen in koelkasten zetten en eruit halen, maar mogen koelkasten niet reinigen en installeren.
- ▶ Houd het apparaat uit de buurt van kinderen jonger dan 3 jaar oud tenzij ze onder constant toezicht staan.
- ▶ Reiniging en onderhoudswerkzaamheden mogen niet door kinderen uitgevoerd worden als zij niet onder toezicht staan.
- ▶ Kinderen mogen niet met het apparaat spelen.
- ▶ **Het apparaat moet zo worden geplaatst dat de stekker toegankelijk is.**
- ▶ Als er een koelgas of ander ontvlambaar gaslek ontstaat in de buurt van het apparaat, moet u de klep van het lekkend gas sluiten, de deuren en ramen openen en de stekker niet verwijderen of niet in het stopcontact steken.
- ▶ Denk eraan dat het apparaat ingesteld is voor een werking binnen **een specifiek temperatuurbereik tussen 10 en 38 °C**. Het apparaat werkt mogelijk niet als het gedurende een langere periode aan hogere of lagere temperatuur wordt ingesteld.
- ▶ Plaats geen onstabiele voorwerpen (zware voorwerpen, containers **gevuld met water**) op **het apparaat, om persoonlijke letsels**

**te vermijden** door het vallen of door elektrische schokken door het contact met water.

- ▶ Trek niet aan de deurladen. De deur kan scheef getrokken worden, het flessenrek kan weg worden getrokken, of het apparaat kan omver kantelen.
- ▶ Open en sluit de deuren enkel bij de handvaten. De opening tussen de deuren en de kast is bijzonder nauw. Voer uw handen niet in deze zones om te vermijden dat uw vingers geklemd zouden raken. Zorg ervoor dat niemand in de weg staat wanneer u de deur van de koelkast opent of sluit
- ▶ Berg geen ontvlambaar, explosief of corrosief materiaal op in het apparaat of in de buurt ervan.
- ▶ Bewaar geen medicijnen, bacteriën of chemische stoffen in het apparaat. Dit apparaat is een huishoudelijk apparaat. Het wordt niet aanbevolen om materialen op te slaan die strikte temperaturen vereisen.
- ▶ Berg geen vloeistoffen op in flessen of blikjes (met uitzondering van drank met een hoog alcoholpercentage), in het bijzonder koolzuurhoudende drank, op in het vriesvak want deze kunnen barsten tijdens het invriezen.

**WAARSCHUWING!****Dagelijks gebruik**

- ▶ Controleer de toestand van het voedsel als er een opwarming in de vriezer heeft plaatsgevonden.
- ▶ Stel geen nodeloos lage temperatuur in voor het koelvak. Negatieve temperaturen kunnen optreden bij hoge instellingen. Let op: Flessen kunnen barsten.
- ▶ Raak geen ingevroren etenswaren aan met natte handen (draag handschoenen). Eet vooral geen ijslolly's direct na verwijdering uit het vriesvak. Het risico bestaat dat u uw tong bevriest of vorstblaren gevormd worden. EHBO: onmiddellijk onder stromend water houden. Niet wegtrekken!
- ▶ Raak de binnenzijde van vriesvak niet aan als het in werking is, in het bijzonder als uw handen nat zijn, want uw handen kunnen vastvriezen aan het oppervlak.
- ▶ Haal de stekker uit het stopcontact in geval van een stroomonderbreking of voor het reinigen. Wacht minstens 5 minuten alvorens het apparaat weer te starten, want veelvuldig opstarten kan schadelijk zijn voor de compressor.
- ▶ Gebruik geen elektrische apparaten in de opbergvakken voor etenswaren van het apparaat, tenzij ze van het type zijn dat wordt aanbevolen door de fabrikant.
- ▶ Gebruik alleen drinkwater bij modellen met waterdispenser.

**Onderhoud en reiniging.**

- ▶ Zorg dat kinderen onder toezicht staan wanneer ze het apparaat schoonmaken of onderhouden.
- ▶ Koppel de elektrische voeding van het apparaat af voordat er routineonderhoud wordt gepleegd. Wacht minstens 5 minuten alvorens het apparaat weer te starten, want veelvuldig opstarten kan schadelijk zijn voor de compressor.
- ▶ Trek aan de stekker, niet aan het snoer wanneer u de stekker van het apparaat uit het stopcontact haalt.
- ▶ Schraap aanslag en ijs niet weg met scherpe voorwerpen. Gebruik geen sprays, elektrische verwarmingen, haardrogers, stoomreinigers of andere hittebronnen, om schade aan de kunststof onderdelen te vermijden.
- ▶ Gebruik geen mechanische apparaten of andere middelen om het ontdooien te versnellen, behalve degene die worden aanbevolen door de fabrikant.
- ▶ **Maak het apparaat niet schoon met harde borstels, draadborstels, schoonmaakpoeder, benzine, amylacetaat, aceton en dergelijke organische oplossingen, zure of basische oplossingen. Gebruik een speciaal reinigingsmiddel voor koelkasten om schade te vermijden.**
- ▶ **Gebruik eventueel warm water met natriumbicarbonaat - ongeveer een eetlepel natriumbicarbonaat per liter water. Spoel grondig met water en veeg droog. Gebruik geen reinigingspoeders of andere schurende middelen. Was geen afneembare onderdelen in een vaatwasser.**



## WAARSCHUWING!

### Onderhoud / reiniging

- ▶ Als het netsnoer beschadigd is, moet het worden vervangen door de fabrikant, zijn servicevertegenwoordiger of ander bevoegd personeel om gevaarlijke situaties te voorkomen.
- ▶ Probeer niet om het apparaat zelf te repareren, uit elkaar te halen of te wijzigen. Neem voor reparaties contact op met de klantenservice.
- ▶ Als de lampen beschadigd zijn, moeten ze worden vervangen door de fabrikant, zijn servicevertegenwoordiger of andere bevoegde personen om gevaarlijke situaties te voorkomen.
- ▶ Neem stof op de achterkant van het apparaat minstens eenmaal per jaar weg, om brandgevaar en een verhoog energieverbruik te voorkomen.
- ▶ Spuit of spoel het apparaat niet uit bij het schoonmaken.
- ▶ Gebruik geen waterspray of stoom om het apparaat schoon te maken.
- ▶ Maak de koude glazen schappen niet schoon met heet water. Door het plotselinge temperatuurverschil zou het glas kunnen breken.
- ▶ Als u uw apparaat voor langere tijd buiten gebruik laat, laat het dan open om te voorkomen dat er zich binnenin een onaangename geur ontwikkelt.

### Informatie over koelgas



## WAARSCHUWING!

Het apparaat bevat het ontvlambare koelmiddel ISOBUTHAAN (R600a). Zorg ervoor dat het koelcircuit niet beschadigd is tijdens het transport of de installatie. Lekkend koelmiddel kan letsels veroorzaken aan de ogen of ontvlammen. Als er schade optreedt, moet u het uit de buurt van open vlammen houden, de ruimte grondig ventileren, de netsnoeren niet verwijderen uit of invoeren in stopcontact. Licht de klantendienst in.

Als uw ogen in contact komen met het koelmiddel moet u onmiddellijk spoelen in stromend water en onmiddellijk contact opnemen met uw oogspecialist.

**WAARSCHUWING: Het koelsysteem staat onder hoge druk. Knoi er niet mee. Aangezien er ontvlambare koelmiddelen zijn gebruikt, moet het apparaat beslist worden geïnstalleerd, gehanteerd en verzorgd overeenkomstig de instructies. Neem contact op met een vakman of onze klantenservice wanneer het apparaat als afval moet worden afgevoerd.**

## 2.1 Beoogd gebruik

Dit apparaat is bedoeld voor huishoudelijk gebruik en soortgelijke toepassingen zoals:

- de personeelskeuken in winkels, kantoren en andere werkomgevingen;
  - landbouwbedrijven en klanten in hotels, motels en andere woonomgevingen;
  - B&B's;
  - catering- en soortgelijke non-retail-toepassingen.
- Als het apparaat gedurende langere tijd niet wordt gebruikt, en u gebruikt alleen de vakantiefunctie of de koelkast uit-functie voor de koelkast/vriezer:
- Verwijder de etenswaren.
  - Koppel het netsnoer los.
  - Maak het waterreservoir leeg en schoon.
  - Reinig het apparaat zoals hierboven beschreven.
  - Houd de deuren open om het ontstaan van onaangename geuren te voorkomen.
- Neem deze instructies in acht om te verzekeren dat levensmiddelen of wijn veilig worden geconserveerd.
- Om besmetting van voedsel te voorkomen (niet geldig voor de wijnkoeler), moet u de volgende instructies in acht nemen:
- Het langdurig openen van de deur kan leiden tot een aanzienlijke verhoging van de temperatuur in de compartimenten van het apparaat.
  - Reinig regelmatig oppervlakken die in contact kunnen komen met levensmiddelen en toegankelijke afvoersystemen.
  - Reinig waterreservoirs als ze 48 uur niet zijn gebruikt; spoel de waterinstallatie door als er gedurende 5 dagen geen water is aangezogen.
  - Bewaar rauw vlees en vis in geschikte bakken in de koelkast/vriezer, zodat ze niet in aanraking komen met, of druipen op, andere levensmiddelen. Om de veilige bewaring van levensmiddelen te garanderen, moeten instant voedsel en rauw vlees/vis apart worden bewaard.
  - Vriesvakken met twee sterren zijn geschikt voor het bewaren van ingevroren voedsel, het bewaren of maken van ijs en het maken van ijsblokjes.
  - Vriesvakken met één, twee of drie sterren zijn niet geschikt voor het invriezen van vers voedsel.
  - Als de koelkast gedurende lange tijd leeg is, moet u deze uitschakelen, ontdooien, reinigen, drogen en de deur open laten om schimmelvorming in het apparaat te voorkomen.
- De gegevens over het meeste geschikte deel in het compartiment van het apparaat waar bepaalde types levensmiddelen moeten worden bewaard, naar gelang de temperatuur van de verschillende compartimenten, zijn te vinden in het gedeelte van de andere handleiding.



## Verwijdering

Dit symbool op het product of op de verpakking ervan geeft aan dat dit product niet behandeld mag worden als huishoudelijk afval. In plaats daarvan moet het naar het geschikte inzamelpunt worden gebracht voor de recycling van elektrische en elektronische apparatuur. Door ervoor te zorgen dat dit product correct wordt afgevoerd, helpt u mogelijke negatieve gevolgen voor het milieu en de volksgezondheid te voorkomen, die anders veroorzaakt kunnen worden als dit product op de verkeerde manier als afval wordt verwerkt. Neem voor meer gedetailleerde informatie over de recycling van dit product contact op met uw plaatselijke gemeente, uw vuilnisophaaldienst of de winkel waar u het product heeft gekocht.

Aangezien er ontvlambare blaasgassen zijn gebruikt voor de isolatie, gelieve contact op te nemen met een vakman of onze klantenservice wanneer het apparaat als afval moet worden afgevoerd.



## WAARSCHUWING!


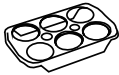



### Risico op letsels of verstikking!

Koelmiddelen en gassen moeten door professionals worden verwijderd. Zorg ervoor dat de leiding van het koelcircuit niet beschadigd is voor het correct verwijderd wordt. Koppel het apparaat los van het net. Snijd het netsnoer door en verwijder het. Verwijder de laden, de sleuven en de scharnieren en afdichtingen om te vermijden dat kinderen of huisdieren in het apparaat vastgeklemd kunnen raken.

Wijzigingen of aanpassingen aan het apparaat zijn niet toegestaan. Onbedoeld gebruik kan leiden tot risico's en verlies van garantieclaims.

## 2.2 Accessoires

Controleer de accessoires en literatuur op basis van de onderstaande lijst (Afb. 2.2):

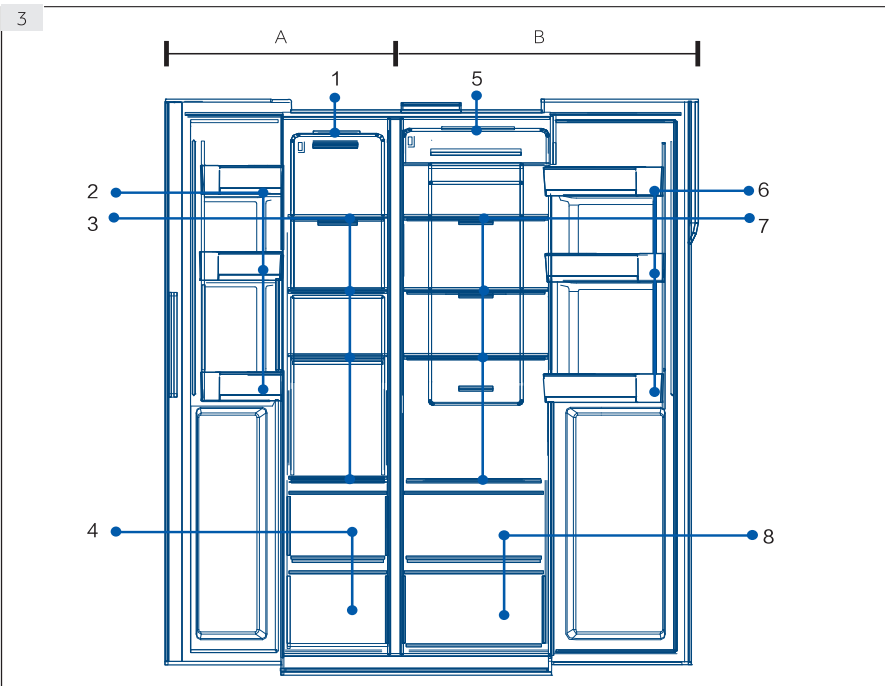
|   |   |   |   |   |
|---|---|---|---|---|
|  |  |  |  |  |
| Ijsblokjesbakjes  | Eierhouder  | Inbussleutel  | Garantiekaart   | Gebruikers-handleiding  |

2.2

### **i** Opmerking

Omwille van technische wijzigingen en uiteenlopende modellen kunnen de illustraties in deze handleiding verschillen van uw model.

#### Afbeeldingen van apparaten (Afb. 3)

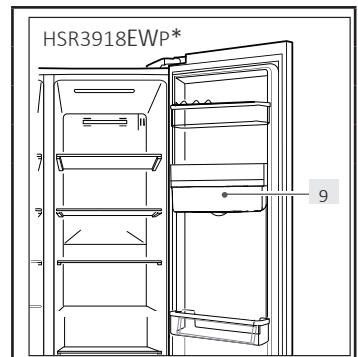


#### **A: Vriesvak**

- 1 Plafondlamp
- 2 Deurrek/fleshouder
- 3 Vriezerschappen
- 4 Vriesbox

#### **B: Koelvak**

- 5 Plafondlamp
- 6 Deurrek/fleshouder
- 7 Koelkastschappen
- 8 Koelbox
- 9 Waterreservoir



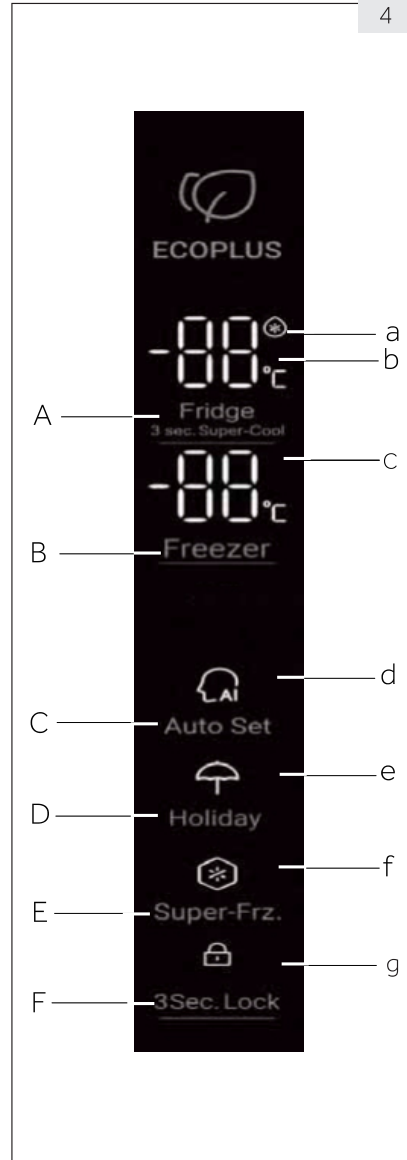
## Bedieningspaneel (Afb. 4)

### Toetsen:

- A Koelkast selectieschakelaar
- B Diepvriezer selectieschakelaar
- C Fuzzy modus
- D Vakantiemodus
- E Super-Freeze functie
- F Paneelvergrendeling

### Indicatoren:

- a Super-Cool modus
- b Temperatuur koelkast
- c Temperatuur vriezer
- d Fuzzy modus en Vakantiefunctie
- g Super-Freeze modus en Paneelvergrendeling



## 5.1 Eerste gebruik

Wanneer de koelkast voor het eerst wordt aangesloten op de stroomvoorziening, staat het display aan. De temperatuur van de koelkast en diepvriezer worden automatisch ingesteld op 4 °C en -18 °C respectievelijk. De intelligence-functie is aan.

## 5.2 Vergrendeling/ontgrendeling paneel

### Automatische vergrendeling:

Wanneer de deur van de koelkast en de vriezer gesloten zijn en er gedurende 30 jaar geen enkele knop bediend wordt, gaat het lampje van het paneel automatisch uit en wordt het paneel vergrendeld.

### Handmatige vergrendeling:

Als het paneel is ontgrendeld, druk dan 3 seconden op de vergrendelknop en de zoemer maakt een zoemend geluid, de vergrendelindicator is aan en dan is het display vergrendeld.



Druk  
gedurende  
3 sec. op

Indicator staat aan  
Paneel is  
vergrendeld

### Ontgrendelen:

Als het paneel is uitgeschakeld, open een deur van de koelkast of druk op een knop op het bedieningspaneel, waarna het paneel zal oplichten. Nu is het paneel vergrendeld. Druk 3 seconden op de knop voor de vergrendelingsfunctie, de zoemer weerklinkt, de vergrendelingsindicator is uit en het paneel is ontgrendeld.



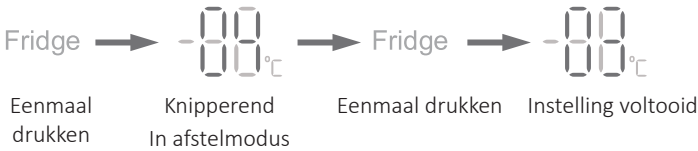
Het paneel staat  
aan Open de  
deur of druk op  
een willekeurige  
knop

Houd 3 sec.  
ingedrukt.

De indicator is uit  
Het paneel is ontgrendeld

## 5.3 De temperatuur voor de koelkast aanpassen

1. Wanneer het bedieningspaneel is ontgrendeld, drukt u op de selectieschakelaar van de koelkast, hierna weerklinkt een geluidssignaal en knippert de indicator voor de temperatuur van de koelkast. Nu kan de temperatuur van de koelkast worden ingesteld.
2. Vervolgens klinkt bij elke druk op de selectieschakelaar van de koelkast een geluidssignaal en wordt de instelling met 1 stap geschakeld. De schakelsequentie is in een continue loop, d.w.z. "4 °C / 3 °C / 2 °C / 1 °C / 9 °C / 8 °C / 7 °C / 6 °C / 5 °C / 4 °C"

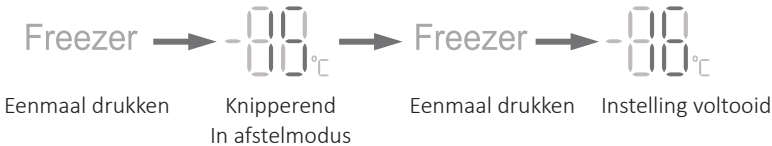


## **i** Opmerking

- ▶ Het apparaat is vooraf ingesteld op de aanbevolen temperatuur van 4 °C (koelkast) en - 18 °C (vriezer). Onder normale omgevingsomstandigheden hoeft u geen andere temperatuur in te stellen.

## 5.4 De temperatuur van de diepvriezer instellen

1. Wanneer het bedieningspaneel is ontgrendeld, drukt u op de keuzeschakelaar van de vriezer, hierna weerklinkt een geluidssignaal en knippert de temperatuurindicator van de vriezer. Nu kan de vriestemperatuur worden ingesteld.
2. Vervolgens klinkt bij elke druk op de selectieschakelaar van de vriezer een geluidssignaal en wordt de instelling met 1 stap geschakeld. De schakelsequentie is in een continue loop, d.w.z. "-18 °C/-19 °C/-20 °C/-21 °C/-22 °C/-23 °C/-24 °C/-14 °C/-15 °C/-16 °C/-17 °C/-18 °C".

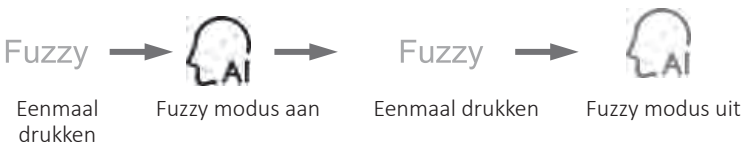


## **i** Opmerking

- ▶ De temperatuur wordt ingesteld, als er in 5 seconden geen knop wordt ingedrukt, wordt de temperatuur automatisch bevestigd en opgeslagen.

## 5.5 Auto set

1. Wanneer het bedieningspaneel is ontgrendeld, drukt u op de "Fuzzy modus" keuzeschakelaar, de zoemer weerklinkt en de "Fuzzy modus" indicator gaat aan. Fuzzy modus start.
2. Wanneer de "Fuzzy modus" indicator is ingeschakeld, drukt u op de "Fuzzy modus" keuzeschakelaar, en de zoemer weerklinkt, de "Fuzzy-modus" indicator is uitgeschakeld en de Fuzzy modus wordt afgesloten.



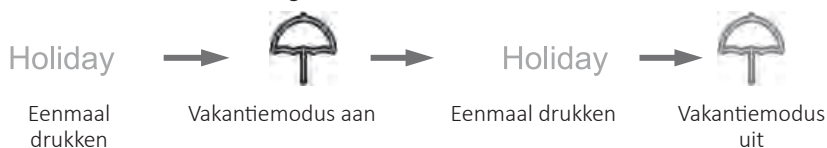
### **i** Opmerking

- ▶ Wanneer de Fuzzy modus is ingeschakeld, kunnen de temperatuur van de koelkast en de vriezer niet worden geselecteerd. Wanneer de keuzeschakelaar van de koelkast of de vriezer wordt ingedrukt, knippert de Fuzzy modus-indicator met geluiden die eraan herinneren dat de handeling niet is toegestaan. Als in de Fuzzy-modus de functie snel afkoelen, snel bevroren of vakantie is geselecteerd, is de Fuzzy-modus uitgeschakeld en sluit de Fuzzy-modus automatisch.

## 5.6 Vakantiefunctie

De vakantiefunctie is ontworpen voor wanneer de koelkast gedurende lange tijd niet zal worden gebruikt. Als de vakantiefunctie is ingeschakeld, kan de vriestemperatuur worden gekozen, terwijl de temperatuur van de koelkast automatisch wordt ingesteld op 17 °C, waardoor elke geur als gevolg van de hoge temperatuur in het koelvak wordt vermeden en ook het energieverbruik wordt bespaard.

1. Wanneer het bedieningspaneel is ontgrendeld, drukt u op de keuzeschakelaar vakantiefunctie, en de zoemer weerklinkt, de vakantiefunctie-indicator gaat aan. De vakantiefunctie start.
2. Wanneer de indicator van de vakantiestand is ingeschakeld, drukt u op de vakantiefunctie keuzeschakelaar en weerklinkt de zoemer, de indicator van de vakantiestand is uitgeschakeld en de vakantiestand wordt afgesloten.



### **i** Opmerking

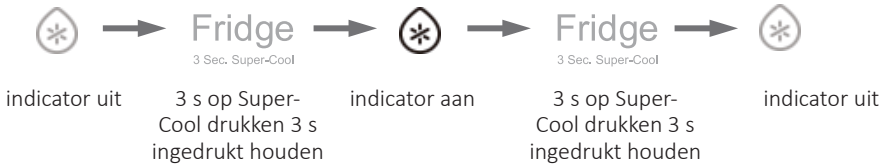
- ▶ Als de vakantiemodus is ingeschakeld, kan de temperatuur van de koelkast niet worden geselecteerd. Wanneer de keuzeschakelaar van de koelkast wordt ingedrukt, knippert de Vakantiemodus indicator met geluiden die eraan herinneren dat de handeling niet is toegestaan.

Maak het koelkastcompartiment leeg voordat u de vakantiemodus selecteert, om te voorkomen dat het voedsel wordt bedorven. Met de vakantiemodus aan kan de "intelligente" functie en de snelle afkoeling niet tegelijkertijd worden geselecteerd. Als de intelligente modus of snelle afkoeling is geselecteerd, is de indicator voor de vakantiemodus uitgeschakeld en sluit de functie automatisch.

## 5.7 Super-Cool functie

1. Wanneer het bedieningspaneel is ontgrendeld, druk dan 3 seconden op de keuzeschakelaar van de koelkast, en de zoemer maakt een zoemend geluid, de 'Super Cool' indicator gaat branden. Super-Cool start.
2. Wanneer de 'Super Cool' indicator aan is, druk dan op de keuzeschakelaar van de koelkast voor 3s, de zoemer weerklinkt, de 'Super Cool' indicator gaat uit. Super-Cool stopt.

3. Wanneer de Super-Cool modus is ingeschakeld, schakelt de koelkast automatisch deze modus uit nadat de Super-Cool modus de ingestelde toestand heeft bereikt. Als u handmatig wilt afsluiten, kunt u de keuzeschakelaar van de koelkast voor 3 s indrukken om de Super-Cool modus uit te schakelen.

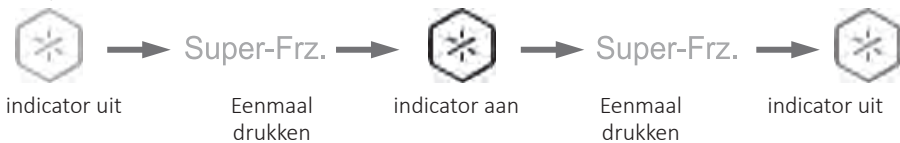


## **i** Opmerking

- ▶ Met de Super-Cool functie aan kan de Fuzzy-modus en de vakantiemodus niet tegelijkertijd worden geselecteerd. Als de Fuzzy-modus of vakantiemodus is geselecteerd, is de Super-Cool indicator uitgeschakeld en sluit de Super-Cool modus automatisch.

## 5.8 Super-Freeze functie

1. Wanneer het bedieningspaneel is ontgrendeld, drukt u op de Super Freeze-knop en weerklinkt de zoemer, de Super Freeze-indicator gaat branden. Super-Freeze modus start.
2. Met de Super Freeze-indicator aan, druk op de Super Freeze-knop, de zoemer weerklinkt, de Super Freeze-indicator is uitgeschakeld. Super Freeze modus sluit.
3. Als de Super Freeze modus is ingeschakeld, schakelt de koelkast automatisch naar de Super Freeze-modus uit nadat de Super Freeze-modus de ingestelde toestand heeft bereikt. Als u handmatig wilt afsluiten, kunt u de Super Freeze keuzeschakelaar voor 3 s indrukken om de Super Freeze modus uit te schakelen.



## **i** Opmerking

- ▶ De Super freeze functie versnelt het invriezen van verse etenswaren en beschermt de al bewaarde etenswaren tegen ongewenst opwarmen. Als een grote hoeveelheid etenswaren in één keer in te vriezen, is het aan te raden om de Super Freeze modus 24 uur van tevoren in te stellen om een lagere temperatuur in het vriesvak te bereiken voordat de etenswaren worden ingevroren. Zo wordt de vriessnelheid in het vriesvak verhoogd en kan het voedsel snel worden ingevroren, waardoor de etenswaren effectief wordt afgesloten en de opslag wordt vergemakkelijkt. Als u in de Super freeze conditie de intelligence-functie wilt kiezen, gaat de Super freeze indicator uit wordt de Super-freeze-modus automatisch afgesloten.

## 5.9 Alarm “deur open”

Wanneer de deuropeningstijd te lang is of de deur niet gesloten is, zal de koelkast elke keer een kort alarm afgeven en u er dan aan herinneren om de deur op tijd te sluiten.

## 5.10 Energiebesparing van het bedieningspaneel

30 seconden na de laatste bediening op het bedieningspaneel wordt het paneel automatisch uitgeschakeld en vergrendeld, wat stroom kan besparen. Wanneer de knop voor de vergrendelingsfunctie wordt ingedrukt of een deur wordt geopend, wordt het bedieningspaneel verlicht.

## 5.11 Uitschakelgeheugenfunctie

Wanneer de koelkast wordt uitgeschakeld, wordt de kortstondige werkingstoestand van de stroomuitval in het geheugen opgeslagen. Nadat de stroom weer is hersteld, blijft de koelkast werken volgens het programma en de functiestatus die vóór de stroomuitval was ingesteld.

**Let op:** De vergrendelingsfunctie wordt niet opgeslagen. Nadat de koelkast weer is ingeschakeld, begint het bedieningspaneel met de zelfdiagnose, het controlelampje van de vergrendelingsfunctie is uitgeschakeld en de koelkast is ontgrendeld.

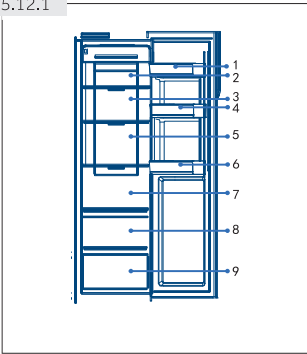
## 5.12 Tips om verse etenswaren te bewaren

### 5.12.1 Opslaan in het koelvak

- ▶ Houd de temperatuur van uw koelkast onder 5 °C.
- ▶ Warme etenswaren moeten worden afgekoeld tot kamertemperatuur voor u ze bewaart in het apparaat.
- ▶ Etenswaren die in de koelkast worden bewaard moeten gewassen en gedroogd worden voor u ze opbergt
- ▶ De etenswaren die u wilt bewaren moeten correct worden afgedicht om geurtjes en wijzigingen in de smaak te vermijden.
- ▶ Bewaar geen al te grote hoeveelheden etenswaren. U moet ruimte tussen de etenswaren laten zodat de koude lucht kan circuleren voor een beteren en meer homogene koeling.
- ▶ De etenswaren die u dagelijks eet, moeten vooraan op de lade worden bewaard
- ▶ Laat een opening tussen etenswaren en de interne wanden om lucht te laten circuleren. Plaats zeker geen etenswaren tegen de achterwand: etenswaren kunnen bevriezen tegen de achterwand. Vermijd direct contact van de etenswaren (in het bijzonder olieachtige of zure etenswaren) met de interne voering want olie/zuur kan de interne voering eroderen. Verwijder olie/zuurresten als u ze opmerkt.
- ▶ Ontdooi de ingevroren etenswaren in het koelvak. Zo kunt u de diepvriesproducten gebruiken om de temperatuur in het compartiment te verlagen en energie te besparen.
- ▶ Het rijpingsproces van fruit en groenten zoals courgettes, meloenen, papaja, bananen, ananas, etc. kan worden versneld in de koelkast. Om die reden is het niet aanbevolen ze in de koelkast te bewaren. Hoewel, het rijpen van groen fruit kan gedurende een bepaalde periode worden bevorderd. Uien, look, gember en andere wortelgroenten moeten ook bij kamertemperatuur worden bewaard.
- ▶ Onaangename geurtjes in de koelkast zijn een teken dat er iets gemorst is en dat ze moet gereinigd worden. Zie ONDERHOUD EN REINIGING.
- ▶ Andere etenswaren moeten in andere plaatsen worden bewaard, naargelang hun eigenschappen (Afb. 5.12.1/5.12.2):



5.12.1

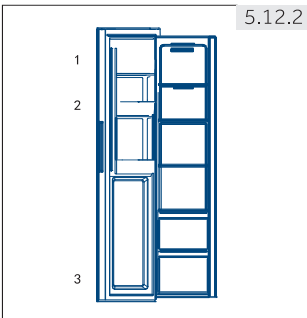


- 1 Boter, kaas, eieren, kruiden, etc.
- 2 Gepekelde etenswaren, etenswaren in blik, etc.
- 3 Gepekelde etenswaren, etenswaren in blik, etc.
- 4 Blikjes, conserven, specerijen, etc.
- 5 Vleesproducten, snacks, enz.
- 6 Dranken en gebottelde voedingsmiddelen.
- 7 Pasta, etenswaren in blik, melk, tofu, zuivel, etc.
- 8 Fruit, groenten, salade, etc.
- 9 Gekookt vlees, worstjes, etc.

## 5.12.2 Bewaring in het vriesvak

- ▶ Handhaaf de temperatuur in het vriesvak op -18 °C.
- ▶ 24 uur voor het invriezen, moet u de Super freeze functie inschakelen; voor kleine hoeveelheden etenswaren is 4-6 uur voldoende.
- ▶ Warme etenswaren moeten worden afgekoeld tot kamertemperatuur voor u het opbergt in het vriesvak.
- ▶ Etenswaren die in kleine porties verdeeld zijn, zullen sneller invriezen en eenvoudiger zijn om te ontdooien en te bereiden. Het aanbevolen gewicht voor elke portie is minder dan 2,5kg
- ▶ Het is beter etenswaren te verpakken voor u ze in het vriesvak plaatst. De buitenzijde van de verpakking moet droog zijn om te voorkomen dat ze aan elkaar zouden plakken. Verpakkingsmateriaal moet vrij zijn van geurtjes en luchtdicht of niet-giftig zijn.
- ▶ Om te voorkomen dat de bewaarperiodes verstrijken, moet u de invriesdatum, tijdslijm en de naam van de etenswaren noteren op de verpakking in overeenstemming met de bewaarperiodes van verschillende etenswaren
- ▶ **WAARSCHUWING!** Zuur, basen, zout, etc. kunnen de interne oppervlakte van de diepvriezer beschadigen. Plaats geen etenswaren met deze stoffen (bijv. zeevis) rechtstreeks op de interne wand. Zoutwater in de diepvriezer moet onmiddellijk worden gereinigd.
- ▶ U mag de opslagduur van de etenswaren die wordt aanbevolen door de fabrikanten niet overschrijden. Verwijder uitsluitend de vereiste hoeveelheid etenswaren uit de diepvriezer.
- ▶ Andere etenswaren moeten in andere plaatsen worden bewaard, naargelang hun eigenschappen (Afb. 5.12.2):

5.12.2



- 1 Minder zware artikelen, zoals ijs, groenten, brood enz.
- 2 Drank zonder hoog alcoholgehalte en tijdelijke opslag van gedistilleerde dranken met een hoog alcoholgehalte, kleine onderdelen zoals pizza of kruiden.
- 3 Grote/zwaardere porties voedsel, zoals vleesgewrichten om te roosteren

**Opmerking: Opslag**

- ▶ Houd de afstand tussen het geplaatste voedsel en de sensor meer dan 10 mm aan om het koeleffect te garanderen.
  - ▶ Bewaar de onderste lade als het apparaat werkt om het koeleffect te garanderen.
  - ▶ Voedsel met ijs (zoals ijs enz.) moet in het vriesvak worden bewaard in plaats van op de flessenhouder, want de temperatuurveranderingen op de flessenhouder als gevolg van het openen en sluiten van de deur kunnen het voedsel doen ontdooien.
- ▶ Verbruik de ontdooide etenswaren in een korte periode. Ontdooide etenswaren mogen niet opnieuw worden ingevroren als ze bereid werden.
  - ▶ Plaats geen overdreven hoeveelheden verse etenswaren in het vriesvak. Raadpleeg de capaciteit van de diepvriezer - Zie TECHNISCHE GEGEVENS of gegevens op het typeplaatje.
  - ▶ Etenswaren kunnen in het vriesvak worden bewaard aan een temperatuur van minimum -18 °C gedurende 2 tot 12 maanden, afhankelijk van de eigenschappen (bijv. vlees: 3-12 maanden, groenten: 6-12 maanden)
  - ▶ Wanneer u verse etenswaren invriest, moet u contact vermijden met al ingevroren etenswaren. Risico op ontdooien!
  - ▶ Diepvriesvoedsel in de koelkast ontdooien. Zo kunt u de diepvriesproducten gebruiken om de temperatuur in het compartiment te verlagen en energie te besparen.

**5.12.3 Wanneer u commercieel ingevroren etenswaren wilt bewaren, moet u de volgende richtlijnen volgen:**

- ▶ Volg altijd de richtlijnen van de producent met betrekking tot de bewaartijden van de etenswaren. Respecteer deze richtlijnen!
- ▶ Probeer de tijdsduur tussen de aankoop en het opbergen zo kort mogelijk te houden om de kwaliteit te handhaven.
- ▶ Koop ingevroren etenswaren die werden bewaard aan een temperatuur van -18 °C of lager.
- ▶ Vermijd etenswaren te kopen met ijs of vorst op de verpakking- Dit wijst erop dat de producten op zeker moment gedeeltelijk ontdooid en opnieuw ingevroren werden- temperatuurstijgingen beïnvloeden de kwaliteit van de etenswaren.

**5.13 Waterdispenser(HSR3918EWP\*)**

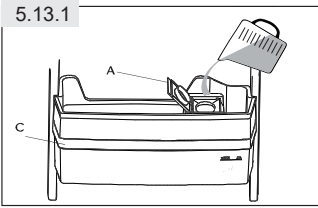
Met de waterdispenser kan koel drinkwater worden afgetapt.

Het waterreservoir moet voor het eerste gebruik worden gereinigd (zie ONDERHOUD EN REINIGING).

**5.13.1 Het waterreservoir vullen****WAARSCHUWING!**

Gebruik alleen drinkwater.

5.13.1



1. Zorg ervoor dat het waterreservoir op de juiste wijze is geplaatst (zie APPARATUUR)
2. Open de dop (A) en giet vers drinkwater in het waterreservoir (Afb. 5.13.1)
3. Vul het water slechts tot aan de markering (2,5 l), zo niet kan het overstromen wanneer de deur opent en sluit.
4. Sluit de dop (A) volledig.

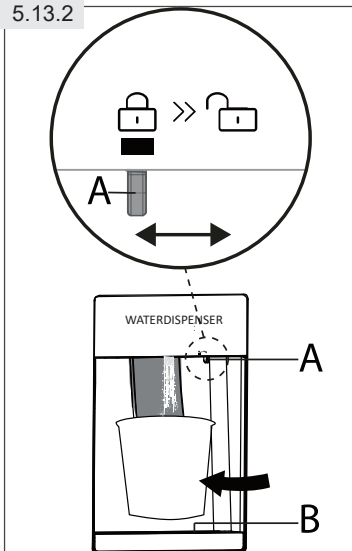




### Opmerking: Waterdispenser

- ▶ Voor u bijvult moet u het resterende water verwijderen en het waterreservoir reinigen.
- ▶ Als u gedurende een lange periode geen water nodig hebt, moet u het waterreservoir leegmaken en het gereinigde reservoir invoeren.
- ▶ **Het deksel (C) van het waterreservoir (Afb. 5.13.1) wordt ook gebruikt om energie te besparen.** Als u gedurende een lange periode geen water wilt uit de waterdispenser, moet u het deksel aanbrengen voor een betere isolatie en om energie te besparen.

### 5.13.2 Drinkwater aftappen

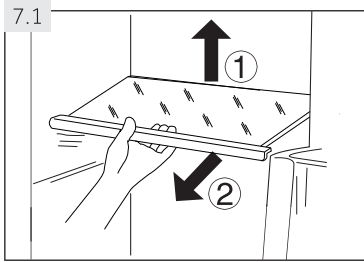
5.13.2



1. Zorg ervoor dat het slot (A) in de stand  "Ontgrendeld" staat (Afb. 5.13.2).
2. Plaats een glas onder de wateruitlaat.
3. Druk voorzichtig tegen de hendel van de waterdispenser met uw glas.  
Lijn uw glas uit met de waterdispenser om geen water te morsen.
4. Het water in de bak (B) moet op tijd worden verwijderd, omdat het bij het openen en sluiten van de deur kan overlopen.
5. Schuif het slot (A) in de stand  "Vergrendeld".

**Tips voor energiebesparing**

- ▶ Zorg ervoor dat het apparaat correct geventileerd is (zie INSTALLATIE).
- ▶ U mag het apparaat niet installeren in direct zonlicht of in de buurt van warmtebronnen (bijv. fornuizen, verwarming).
- ▶ Vermijd onnodig lage temperaturen in het apparaat. Het energieverbruik verhoogt hoe lager de temperatuur van het apparaat wordt ingesteld.
- ▶ Functies zoals Super-Cool of Super-Freeze verbruiken meer energie.
- ▶ Laat warme etenswaren afkoelen voor u ze in het apparaat plaatst.
- ▶ Open de deur van het apparaat zo weinig en zo kort mogelijk.
- ▶ Vul het apparaat niet te veel op zodat u de luchtstroom niet belemmert.
- ▶ Vermijd lucht in de verpakking van de etenswaren.
- ▶ Houd de afdichtingen van de deuren schoon zodat de deur altijd correct sluit.
- ▶ Ontdooi de ingevroren etenswaren in het koelvak.



## 7.1 Instelbare planken

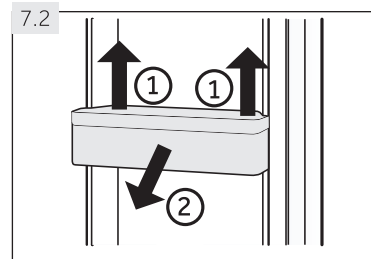
De hoogte van de laden kan worden aangepast naargelang uw bewaarbehoeften.

1. Om een lade te verplaatsen, moet u ze eerst verwijderen door de achterzijde omhoog op te tillen (1) en het te verwijderen (2) (Afb. 7.1).
2. Om ze opnieuw aan te brengen, plaatst u ze op de beugels op beide zijden en duwt ze volledig naar achter tot de achterzijde van de lade in de sleuven aan de zijkant.



### Opmerking: Planken

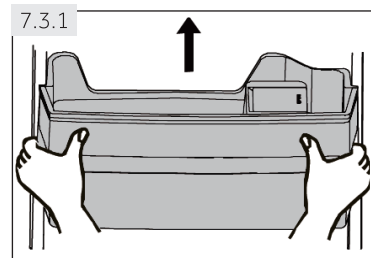
Zorg ervoor dat alle uiteinden van een plank waterpas staan.



## 7.2 Verwijderbare deurrekken/fleshouder

De deurrekken/fleshouders kunnen worden verwijderd om te worden gereinigd:

1. Plaats de handen aan beide zijden van het rek/houder en til deze omhoog (1) (Afb. 7.2).
2. Trek de deurrek/fleshouder uit (2).
3. Voor het plaatsen van de deurrek/fleshouder worden de bovenstaande stappen in omgekeerde volgorde uitgevoerd.




## 7.3 Waterreservoir(HSR3918EWP\*)

### 7.3.1 Waterreservoir verwijderen

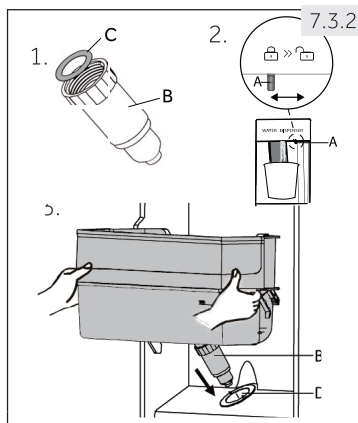
Het waterreservoir kan worden verwijderd en opnieuw worden geïnstalleerd voor de reiniging op dezelfde manier als de deurrekken (Afb. 7.3.1).

### 7.3.2 Waterreservoir plaatsen

1. Zorg ervoor dat de uitloop van de dispenser (B) stevig op het waterreservoir is geschroefd en dat de witte O-ring (C) in positie is (Afb. 7.3.2-1.).
2. Schuif het slot (A) in de stand  "Vergrendeld" (Afb. 7.3.2-2)
3. Plaats het waterreservoir in de positie zodat de wateruitlaat (B) in de opening van de deur past (Afb. 7.3.2-3.).

#### **Opmerking: Waterreservoir**

- ▶ Als het waterreservoir niet correct ingevoerd is, kan er water uit de verbinding druppelen.
- ▶ Gebruik geen overmatige kracht tijdens het verwijderen en het plaatsen van het waterreservoir om schade aan het reservoir te voorkomen.



### 7.4 Flessenhouder-vriesvak

De flessenhouders van het vriesvak zijn bedoeld voor de tijdelijke opslag van gedistilleerde dranken met een hoog alcoholgehalte. Drank zonder hoog alcoholgehalte moet worden gekoeld in de koelkast.

Daarnaast kunt u kleine onderdelen in de flessenhouders opbergen.



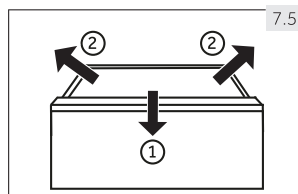
#### **WAARSCHUWING!**

Flessen en blikken kunnen barsten! Stel een timer in die u eraan herinnert om flessen/blikjes zonder hoog alcoholgehalte te verwijderen.

### 7.5 Verwijderbare lade

Om de lade uit de koelkast of het vriesvak te verwijderen, trekt u deze volledig uit (1), tilt u de lade op en verwijdert u deze (2) (Afb. 7.5).

Voor het plaatsen van de lade worden de bovenstaande stappen in omgekeerde volgorde uitgevoerd.



### 7.6 Verlichting

Het interne LED-licht schakelt in wanneer de deur geopend is. De prestatie van de lichten wordt niet beïnvloed door de instellingen van andere apparaten.



## WAARSCHUWING!

Koppel het apparaat los van het net voor de reiniging.

### 8.1 Reiniging

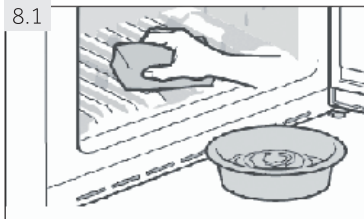
Reinig het apparaat als er slechts een kleine hoeveelheid of geen etenswaren opgeborgen zijn. Het apparaat moet elke vier weken worden gereinigd voor een goed onderhoud en om de geurtjes van slecht opgeslagen etenswaren te voorkomen



## WAARSCHUWING!

Maak het apparaat niet schoon met harde borstels, draadborstels, schoonmaakpoeder, benzine, amylacetaat, aceton en dergelijke organische oplossingen, zure of basische oplossingen. Gebruik een speciaal reinigingsmiddel voor koelkasten om schade te vermijden.

- ▶ Spuit of spoel het apparaat niet uit bij het schoonmaken.
- ▶ Gebruik geen waterspray of stoom om het apparaat schoon te maken.
- ▶ Maak de koude glazen schappen niet schoon met heet water. Door het plotselinge temperatuurverschil zou het glas kunnen breken.
- ▶ Raak de binnenzijde van vriesvak niet aan als het in werking is, in het bijzonder als uw handen nat zijn, want uw handen kunnen vastvriezen aan het oppervlak.
- ▶ Bij opwarming moet u de toestand van ingevroren etenswaren controleren.



- ▶ Houd de pakking van de deur altijd schoon.
- ▶ Reinig de binnenzijde en de behuizing van het apparaat met een spons in warm water en een neutraal reinigingsmiddel (Afb. 8.1).

1. Schrob de binnen- en buitenkant van de koelkast, inclusief deursluiting, deurrek, glazen leggers, box en dergelijke, met een zachte handdoek of spons gedompeld in warm water (u kunt een neutraal reinigingsmiddel in het warme water toevoegen).
2. Als er vloeistof is gemorst, verwijder dan alle verontreinigde delen, spoel ze direct af met leidingwater, droog ze af en plaats ze terug in de koelkast.
3. Als er gemorste room is (zoals de room, smeltend ijs), verwijder dan alle verontreinigde delen, doe ze enige tijd in het warme water bij ongeveer 40 °C, spoel ze af met leidingwater, droog ze af en zet ze terug in de koelkast.
4. Als er een klein deel of onderdeel vast komt te zitten in de koelkast (tussen planken of laden), gebruik dan een kleine zachte borstel om het los te maken. Als u het onderdeel niet kunt bereiken, neem dan contact op met Haier service.

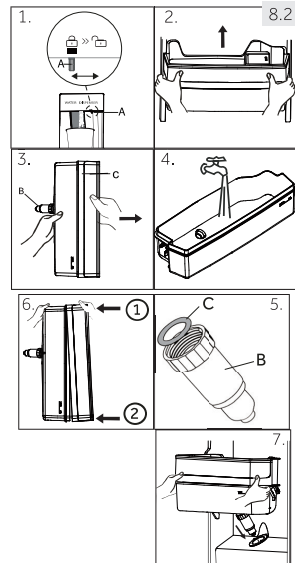
- ▶ Spoel en droog met een zachte doek.
- ▶ Reinig de accessoires enkel met warm water en een zacht, neutraal wasmiddel.
- ▶ Laat het apparaat minimum 5 minuten rusten voor u het apparaat herstart want dit kan de compressor beschadigen.

## Ontdoeien

De koelkast en diepvriezer ontdoeien automatisch; er is geen handmatige bewerking nodig.

### 8.2 Het waterreservoir reinigen (Afb. 8.2) (HSR3918EWP\*)

1. Schuif het slot (A) in de stand  "Vergrendeld".
2. Haal het waterreservoir uit het apparaat.
3. Verwijder het deksel (C) en draai de wateruitlaat (B) voorzichtig los.
4. Maak het waterreservoir en de wateruitlaat schoon met warm stromend water en vloeibaar vaatwasmiddel. Zorg ervoor dat alle zeep is afgespoeld.
5. Monteer de wateruitlaat (B) en zorg ervoor dat deze stevig op het waterreservoir is geschroefd en dat de witte O-ring (C) op zijn plaats zit.
6. Druk op het deksel om het te combineren met een zijde van het waterreservoir en dan de andere zijde, controleer of het waterreservoir en het deksel volledig gemonteerd zijn.
7. Vervang het reservoir in het apparaat. Zorg ervoor dat de wateruitlaat correct in het gat van de deur is gestoken.



### 8.3 De LED-lampen vervangen



#### WAARSCHUWING!

U mag de LED-lamp niet zelf vervangen. Ze mag enkel worden vervangen door de fabrikant of de geautoriseerde service agent.

Als lichtbron van de lamp wordt een led gebruikt vanwege het lage energieverbruik en de lange levensduur. Neem bij problemen contact op met de klantendienst. Zie KLANTENDIENST.

Parameters van de lampen: :12 V max. 3 W.



## 8.4 Niet gebruik gedurende een lange periode

Als het apparaat gedurende een lange periode niet zal worden gebruikt en u gebruikt de vakantiefunctie van de koelkast niet:

- ▶ Verwijder de etenswaren.
- ▶ Maak het waterreservoir leeg en schoon.
- ▶ Koppel het netsnoer los.
- ▶ Reinig het apparaat zoals hierboven beschreven.
- ▶ Houd de deuren open om het ontstaan van onaangename geuren te voorkomen.



### Opmerking: Uitschakelen

Schakel het apparaat alleen uit als dat strikt noodzakelijk is.

## 8.5 Het apparaat verplaatsen

1. Verwijder alle etenswaren en trek de stekker uit het stopcontact.
2. Beveilig de laden en andere bewegende onderdelen in de koelkast en de diepvriezer met plakband.
3. U mag de koelkast niet meer dan 45° kantelen om schade aan het koelsysteem te vermijden.



### WAARSCHUWING!

U mag het apparaat niet bij de handvaten dragen.

- ▶ Plaats het apparaat nooit horizontaal op de grond.

Veel van de voorkomende problemen kunt u zelf oplossen zonder specifieke expertise. In het geval van een probleem moet u alle weergegeven mogelijkheden controleren en de onderstaande instructies volgen voor u contact opneemt met de dienst na verkoop. Zie KLANTENDIENST.



### WAARSCHUWING!

Voor ieder onderhoud moet u het apparaat uitschakelen en de stekker verwijderen uit het stopcontact.

- ▶ Elektrische apparaten mogen uitsluitend door gekwalificeerde elektrische experts worden onderhouden. Incorrecte reparaties kunnen aanzienlijke gevolgschade veroorzaken.
- ▶ Als het netsnoer beschadigd is, moet het worden vervangen door de fabrikant, zijn onderhoudsdienst of dergelijk gekwalificeerde personen om ieder risico uit te sluiten.

| Probleem  | Mogelijke oorzaak  | Mogelijke Oplossing   |
|---|--|---|
| De compressor werkt niet.                                 | <ul style="list-style-type: none"> <li>• De stekker zit niet goed in het stopcontact.</li> <li>• Het apparaat is ingesteld in de ontdooicyclus.</li> </ul>   | <ul style="list-style-type: none"> <li>• Doe de stekker in het stopcontact.</li> <li>• Dit is normaal voor een automatische ontdooiing.</li> </ul>  |
| Het apparaat slaat veelvuldig aan of werkt te lange tijd. | <ul style="list-style-type: none"> <li>• De interne en externe temperatuur is te hoog.</li> <li>• Het apparaat is al een tijdje niet meer in gebruik.</li> <li>• Een deur van het apparaat is niet goed gesloten.</li> <li>• De deur/lade is te vaak of te lang geopend.</li> <li>• De temperatuurinstelling van het vriesvak is te laag.</li> <li>• De pakking van de deur is vuil, versleten, gebarsten of stemmen niet overeen.</li> <li>• De vereiste luchtcirculatie is niet gegarandeerd.</li> </ul> | <ul style="list-style-type: none"> <li>• In dit geval is het normaal dat het apparaat langer werkt.</li> <li>• Normaal gesproken duurt het 8 tot 12 uur voordat het apparaat volledig is afgekoeld.</li> <li>• Sluit de deur/lade en zorg ervoor dat het apparaat op een vlakke ondergrond is geplaatst en dat er geen etenswaren of container de deur blokkeert.</li> <li>• Open de deur/lade niet te vaak.</li> <li>• Stel de temperatuur hoger in tot de geschikte koelkasttemperatuur bereikt is. Het duurt 24 uur tot de koelkasttemperatuur volledig stabiel wordt.</li> <li>• Reinig de deurpakking of laat deze vervangen deze door de klantendienst.</li> <li>• Zorg voor voldoende ventilatie.</li> </ul> |

| Probleem   | Mogelijke oorzaak  | Mogelijke Oplossing   |
|--|--|---|
| De binnenkant van de koelkast is vuil en/of stinkt.                      | <ul style="list-style-type: none"> <li>• De binnenkant van de koelkast moet worden schoongemaakt.</li> <li>• Voedsel met een sterke geur wordt in de koelkast bewaard.</li> </ul>  | <ul style="list-style-type: none"> <li>• Maak de binnenkant van de koelkast schoon.</li> <li>• Verpak het eten goed.</li> </ul>   |
| Het is niet koud genoeg in het apparaat.                                 | <ul style="list-style-type: none"> <li>• De temperatuur is te hoog ingesteld.</li> <li>• Er zijn te warme etenswaren opgeslagen.</li> <li>• Er is te veel voedsel tegelijk in het apparaat geplaatst om te kunnen koelen.</li> <li>• De etenswaren zijn te dicht bij elkaar geplaatst.</li> <li>• Een deur van het apparaat is niet goed gesloten.</li> <li>• De deur/lade is te vaak of te lang geopend.</li> </ul> | <ul style="list-style-type: none"> <li>• Stel de temperatuur opnieuw in.</li> <li>• Koel de etenswaren altijd af voordat u ze opbergt.</li> <li>• Bewaar altijd kleine hoeveelheden etenswaren.</li> <li>• Laat wat ruimte vrij tussen de verschillende etenswaren, zodat de lucht kan stromen.</li> <li>• Sluit de deur.</li> <li>• Open de deur/lade niet te vaak.</li> </ul> |
| Het is te koud in het apparaat.  | <ul style="list-style-type: none"> <li>• De temperatuur is te laag ingesteld.</li> <li>• De Super-Cool/Super-Freeze functie is geactiveerd of loopt te lang.</li> </ul>  | <ul style="list-style-type: none"> <li>• Stel de temperatuur opnieuw in.</li> <li>• Schakel de Super-Cool / Super-Freeze functie uit.</li> </ul>  |
| Vochtvorming op de binnenzijde van het koelvak.                          | <ul style="list-style-type: none"> <li>• Het klimaat is te warm en te vochtig.</li> <li>• Een deur van het apparaat is niet goed gesloten.</li> <li>• De deur/lade is te vaak of te lang geopend.</li> <li>• Voedselcontainers of vloeistoffen zijn open gelaten.</li> </ul>   | <ul style="list-style-type: none"> <li>• Verhoog de temperatuur.</li> <li>• Sluit de deur.</li> <li>• Open de deur/lade niet te vaak.</li> <li>• Laat warme etenswaren afkoelen tot kamertemperatuur en dek de etenswaren en vloeistoffen af.</li> </ul>  |
| Vocht accumuleert op de buitenzijde van de koelkast of tussen de deuren. | <ul style="list-style-type: none"> <li>• Het klimaat is te warm en te vochtig.</li> <li>• De deur is niet goed gesloten. De koude lucht in het apparaat en de warme lucht daarbuiten condenseert.</li> </ul>   | <ul style="list-style-type: none"> <li>• Dit is normaal in een vochtig klimaat en zal veranderen als de luchtvochtigheid afneemt.</li> <li>• Zorg ervoor dat de deur goed gesloten is.</li> </ul>   |

| Probleem   | Mogelijke oorzaak  | Mogelijke Oplossing   |
|--|--|---|
| Veel ijs en vorst in het vriesvak.   | <ul style="list-style-type: none"> <li>• De etenswaren zijn niet voldoende verpakt.</li> <li>• Een deur/lade van het apparaat is niet goed gesloten.</li> <li>• De deur/lade is te vaak of te lang geopend.</li> <li>• De pakking van de deur is vuil, versleten, gebarsten of stemmen niet overeen.</li> <li>• Er is iets in de koelkast dat de deur/lade belemmert correct te sluiten</li> </ul> | <ul style="list-style-type: none"> <li>• Pak de etenswaren altijd goed in.</li> <li>• Sluit de deur/lade.</li> <li>• Open de deur/lade niet te vaak.</li> <li>• Maak de deurpakking schoon of vervang deze door nieuwe exemplaren.</li> <li>• Breng de laden, deurrekken of interne containers opnieuw aan zodat de deur/lade kan sluiten.</li> </ul> |
| Het apparaat maakt abnormaal geluid.   | <ul style="list-style-type: none"> <li>• Het apparaat bevindt zich niet op een vlakke ondergrond.</li> <li>• Het apparaat raakt een voorwerp in de omgeving.</li> </ul>  | <ul style="list-style-type: none"> <li>• Stel de voeten af om het apparaat waterpas te stellen.</li> <li>• Verwijder voorwerpen rondom het apparaat.</li> </ul>   |
| Er is een zacht geluid te horen dat vergelijkbaar is met dat van stromend water. | <ul style="list-style-type: none"> <li>• Dit is normaal.</li> </ul>  | <ul style="list-style-type: none"> <li>• –</li> </ul>   |
| U hoort een alarmsignaal.  | <ul style="list-style-type: none"> <li>• De deur is open.</li> </ul>   | <ul style="list-style-type: none"> <li>• Sluit de deur.</li> </ul>  |
| U hoort een zacht gezoem.  | <ul style="list-style-type: none"> <li>• Het anticondenssysteem werkt.</li> </ul>  | <ul style="list-style-type: none"> <li>• Dit voorkomt condensatie en is normaal.</li> </ul>   |
| De binnenverlichting of het koelsysteem werkt niet.                              | <ul style="list-style-type: none"> <li>• De stekker zit niet goed in het stopcontact.</li> <li>• De stroomvoorziening is niet intact.</li> <li>• De ledlamp is defect.</li> </ul>  | <ul style="list-style-type: none"> <li>• Doe de stekker in het stopcontact.</li> <li>• Controleer de elektrische voeding van de kamer. Raadpleeg uw nutsbedrijf!</li> <li>• Bel de service voor het vervangen van de lamp.</li> </ul>   |
| De zijkanten van de kast en de deurstrip worden warm.                            | <ul style="list-style-type: none"> <li>• Dit is normaal.</li> </ul>  | <ul style="list-style-type: none"> <li>• –</li> </ul>   |
| Er komt geen water uit de uitloop van de waterdispenser                          | <ul style="list-style-type: none"> <li>• Het slot is niet gedeactiveerd.</li> </ul>  | <ul style="list-style-type: none"> <li>• Schakel het slot uit.</li> </ul>   |

## 9.2 Stroomonderbreking

In het geval van een stroompanne zullen de etenswaren ongeveer 5 uur koud blijven. Volg deze tips tijdens een langdurige stroomonderbreking, in het bijzonder in de zomer:

- ▶ Open de deur/lade zo weinig mogelijk.
- ▶ Doe geen extra voedsel in het apparaat tijdens een stroomonderbreking.
- ▶ Als een stroomonderbreking vooraf wordt aangekondigd en de onderbreking langer dan 5 uur zal duren, kunt u op voorhand ijs maken en het in een container plaatsen boven in het koelvak.
- ▶ Na de onderbreking moeten de etenswaren onmiddellijk worden geïnspecteerd.
- ▶ Aangezien de temperatuur in de koelkast zal stijgen tijdens een stroomonderbreking of een andere panne zal de bewaartijd en de kwaliteit van de etenswaren verminderen. Alle etenswaren die ontdooien snel moeten worden verbruikt of bereid en opnieuw ingevroren (indien geschikt) om gezondheidsrisico's te voorkomen.



### **Opmerking: Geheugenfunctie tijdens stroomuitval**

Na het herstel van de stroomtoevoer gaat het apparaat verder met de instellingen die voor de stroomuitval waren ingesteld.

## 10.1 Uitpakken

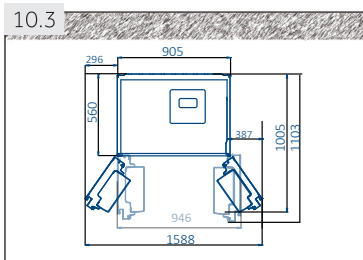


### WAARSCHUWING!

- ▶ Het apparaat is zwaar. Draag het altijd met twee personen.
- ▶ Houd alle verpakkingsmaterialen buiten het bereik van kinderen en gooi ze op een milieuvriendelijke manier weg.
- ▶ Haal het apparaat uit de verpakking.
- ▶ Verwijder alle verpakkingsmaterialen, inclusief de transparante beschermfolie.

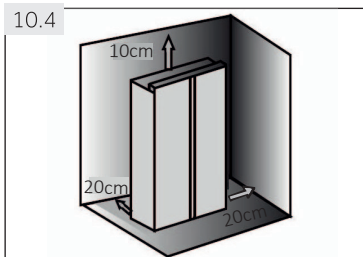
## 10.2 Milieumomstandigheden

De kamertemperatuur moet altijd tussen 16 °C en 43 °C zijn, omdat deze de temperatuur in het apparaat en het energieverbruik kan beïnvloeden. Installeer het apparaat niet in de buurt van andere warmtebronnen (ovens, koelkasten) zonder isolatie.



## 10.3 Vereiste ruimte

Benodigde ruimte bij het openen van de deur (Afb. 10.3): Breedte apparaat: 1588Mm Diepte toestel: 1103 mm



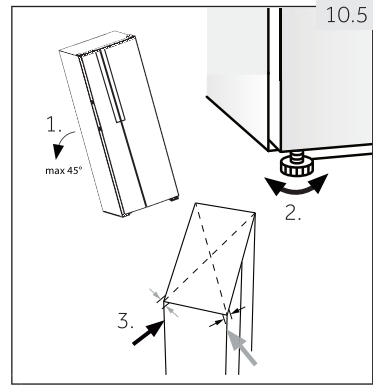
## 10.4 Ventilatie ruimte

Om het apparaat voldoende te ventileren moet om veiligheidsredenen de informatie van de vereiste ventilatie ruimte worden nageleefd (Afb. 10.4).

## 10.5 Het apparaat uitlijnen

Het apparaat moet op een vlakke en stevige ondergrond worden geplaatst.

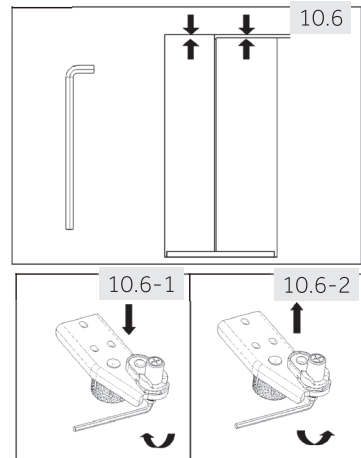
1. Kantel het apparaat iets naar achteren (Afb. 10.5).
2. Stel de voeten in op het gewenste niveau.  
Zorg ervoor dat de afstand tot de muur aan de scharnierzijde minimaal 5 cm is.
3. De stabiliteit kan worden gecontroleerd door zachtjes te kloppen op de diagonale hoeken. De lichte bewegingen moeten hetzelfde zijn in beide richtingen. Zo niet kan het kader vervormen; dit kan resulteren in lekken in de deurpakkingen. Een lage tendens naar achter vereenvoudigt het sluiten van de deur.



## 10.6 Fijnafstelling van de deuren

Als de deuren na het nivelleren van de deuren met de voeten nog steeds niet op één niveau staan, kan dit worden verholpen door de scharnierende liftschacht rechtsonderaan de koeldeur met een moersleutel te verstellen (Afb. 10.6)

- Draai de hefjas rechtsom met een sleutel om de deurhoogte te verlagen (Afb. 10.6-1).
- Draai linksom met sleutel om de deurhoogte te verhogen (Afb. 10.6-2).

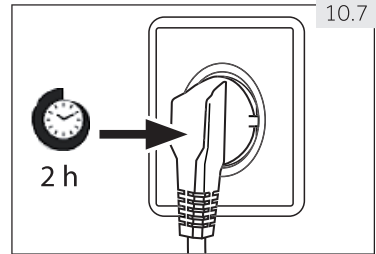


### WAARSCHUWING!

Stel de hefjas van het scharnier niet te hoog in, zoniet kan de as uit zijn oorspronkelijke vergrendelde positie komen. (Instelbaar hoogtebereik: 3 mm)

### 10.7 Wachtijd

De onderhoudsvrije smeeroilie bevindt zich in de capsule van de compressor. Deze olie kan doorheen de afgesloten leidingen stromen als het apparaat gekanteld wordt tijdens transport. Voor u het apparaat aansluit op het elektrisch net moet u 2 uur wachten (Afb. 10.7) zodat de olie in de capsule kan stromen



### 10.8 Elektrische aansluiting

#### Controleer voor elke aansluiting of:

- ▶ het elektrisch net, stopcontact en de zekeringen overeenstemmen met de informatie op het typeplaatje.
- ▶ het stopcontact is geaard en er is geen multistekker of verlengsnoer is.
- ▶ de stekker en het stopcontact overeenstemmen.

Steek de stekker in een goed geïnstalleerd stopcontact.



#### **WAARSCHUWING!**

Om risico's te vermijden, moet een beschadigd netsnoer worden vervangen door de klantendienst (zie garantiekaart).

### 10.9 Deuren verwijderen en installeren

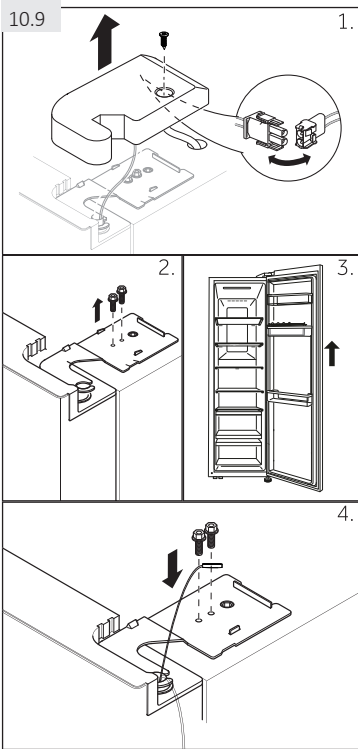
Als u de deuren van het apparaat moet verwijderen, volg de onderstaande instructies voor het verwijderen en installeren van de deur (Afb. 10.9)



#### **WAARSCHUWING!**

- ▶ Voor iedere handeling moet u het apparaat uitschakelen en de stekker verwijderen uit het stopcontact.
- ▶ Het apparaat is zwaar. Draag het altijd met twee personen.
- ▶ Kantel het apparaat niet meer dan 45° en plaats het niet horizontaal op de grond





1. Maak de schroef van de scharnierafdekking los en verwijder de scharnierafdekking. Ontkoppel het netsnoer.

2. Maak de schroeven los van het bovenste scharnier en verwijder het scharnier.

3. Til de deur van het koelvak op om deze te verwijderen.


4. Plaats de deur terug in de omgekeerde volgorde van demontage. Zorg ervoor dat de aardingskabel met de schroef wordt vastgezet.



## Opmerking: Koelkastdeur

De foto's tonen het verwijderen van de deur van het koelvak. Gebruik voor de vriezerdeur de betreffende onderdelen aan de andere kant

**11.1 Productfiche conform EU-norm Nr. 1060/2010**

|  |   |
|--|---|
| Merken   | Haier   |
| Model  | HSR3918FNP*   |
| Categorie van het model  | Koelkast-diepvriezer  |
| Energie-efficiëntieklasse  | A+  |
| Jaarlijks energieverbruik (kWh/jaar)   | 399   |
| Opslagvolume koelen (L)  | 337   |
| Opslagvolume invriezen (L) ****  | 167   |
| Sterclassificatie  |  |
| Temperatuur van andere vakken > 14 °C  | Niet toepasselijk   |
| Vorstvrij systeem  | Ja  |
| Temperatuurstijgingstijd (u)   | 5   |
| Vriesvermogen (kg/24h)   | 10  |
| Klimaatklasse  | SN-N-ST-T   |
| Dit apparaat is bedoeld om te worden gebruikt bij een omgevingstemperatuur tussen de 10 °C en 43 °C. |   |
| Geluidsemissies in de lucht (db(A) re lpW)   | 38  |
| Constructietype  | Vrijstaand  |

gebaseerd op standaard testresultaten gedurende 24 uur. Het werkelijke energieverbruik hangt af van hoe het apparaat wordt gebruikt en waar het staat.

**11.1.1 Bijkomende technische gegevens**

|                          |                 |
|--------------------------|-----------------|
| Spanning / Frequentie    | 220-240V-/ 50Hz |
| Ingangsvermogen (W)      | 200             |
| Hoofdzekering (A)        | 15              |
| Koelvloeistof            | R600a           |
| Afmetingen (H/B/D in mm) | 1775/908/647    |

**11.1.2 Normen en richtlijnen **

Dit product voldoet aan de eisen van alle toepasselijke EG-richtlijnen met de bijbehorende geharmoniseerde normen, die voorzien in een CE-markering.

Wij adviseren onze Haier klantendienst en het gebruik van originele onderdelen.

Als u een probleem hebt met uw toestel, controleer dan eerst het hoofdstuk **PROBLEMEN OPLOSSEN**.

Als u daar geen oplossing kunt vinden, neem dan contact op met

- ▶ uw lokale dealer of
- ▶ het gedeelte Dienst en hulp (Service & Support) gedeelte op [www.haier.com](http://www.haier.com) waar u telefoonnummers en FAQ's kunt vinden en waar u de serviceclaim kunt activeren.

Om contact op te nemen met onze service, dient u ervoor te zorgen dat u de volgende gegevens heeft.

Deze informatie is te vinden op het typeplaatje.

Model \_\_\_\_\_ Serienr. \_\_\_\_\_

Controleer ook de meegeleverde garantiekaart in geval van garantie.



**Haier**



0060528721



# Manualul utilizatorului

## Combină frigorifică

**HSR3918ENP\***

**HSR3918EWP\***

**HSR3918FNP\***

**\*=W,B,L,G,N**

RO

**Haier**

## Vă mulțumim că ați achiziționat un produs Haier.

Citiți aceste instrucțiuni cu atenție înainte de a utiliza acest aparat. Instrucțiunile conțin informații importante care vă vor ajuta să folosiți aparatul la capacitate maximă și să asigurați instalarea, utilizarea și întreținerea sigure și corespunzătoare.

Păstrați manualul de față la îndemână astfel încât să îl puteți consulta pentru utilizarea sigură și corectă a aparatului.

Dacă vindeți, oferiți sau lăsați aparatul în vechea locuință când vă mutați, asigurați-vă că lăsați și manualul de utilizare, astfel încât noul proprietar să se poată familiariza cu aparatul și cu avertismentele de siguranță.

## Legendă

Avertizare - Informații importante legate de siguranță



Informații și sfaturi generale



Informații legate de mediu



## Eliminare

Ajutați la protejarea mediului și sănătății omului. Puneți ambalajul în containerele corespunzătoare în vederea reciclării. Ajutați la reciclarea deșeurilor de aparate electrice și electronice. Nu aruncați electronicele marcate cu acest simbol în același loc cu deșeurile menajere. Returnați produsul la centrul local de reciclare sau contactați agenția municipală.



## AVERTIZARE!

### Risc de vătămare sau sufocare!

Agenții de refrigerare și gazele trebuie eliminate profesionist. Asigurați-vă că tubulatura circuitului refrigerant nu este deteriorată înainte de eliminarea corespunzătoare a acesteia. Deconectați aparatul de la rețeaua de curent. Tăiați cablul de alimentare de la rețeaua de curent și eliminați-l. Scoateți tăvile și sertarele, dar și opritorul și garniturile ușii, pentru a preveni închiderea copiilor și a animalelor în aparat.

Aparatele vechi au încă o anumită valoare reziduală. O metodă ecologică de eliminare se va asigura că materiile prime valoroase pot fi recuperate și reutilizate.

Ciclopentanul, o substanță inflamabilă care nu dăunează ozonului, este folosit ca expandor pentru puma de izolare.

Asigurându-vă că acest produs este eliminat corect, veți ajuta la prevenirea potențialelor consecințe negative pentru mediu și sănătatea umană.

Pentru informații detaliate privind reciclarea acestui produs, vă rugăm să vă contactați consiliul local, serviciul dvs. de eliminare a deșeurilor sau magazinul de unde ați achiziționat produsul, administrat de specialiști.

|   |    |
|---|----|
| 1- Informații de siguranță.....           | 6  |
| 2- Destinația utilizării.....             | 10 |
| 3- Descrierea produsului.....             | 12 |
| 4- Panou de comenzi.....                  | 12 |
| 5- Utilizarea.....                        | 14 |
| 6- Sfaturi de economisire a energiei..... | 22 |
| 7- Echipament.....                        | 23 |
| 8- Îngrijire și curățare.....             | 25 |
| 9- Depanare.....                          | 26 |
| 10- Instalare.....                        | 30 |
| 11- Date tehnice.....                     | 33 |
| 12- Serviciul pentru clienți.....         | 34 |

Înainte de pornirea aparatului pentru prima dată, citiți următoarele sfaturi legate de siguranță:



## AVERTIZARE!

### Înainte de prima utilizare

- ▶ Asigurați-vă că nu există deteriorări provocate de transport.
- ▶ Eliminați toate ambalajele și păstrați-le la distanță de copii.
- ▶ Așteptați cel puțin două ore înainte de a instala aparatul pentru a lăsa timp circuitului refrigerant să devină perfect eficient.
- ▶ Manevrați întotdeauna dispozitivul cu cel puțin încă două persoane, pentru că este greu.

### Instalare

- ▶ Aparatul trebuie amplasat într-un loc bine ventilat. Asigurați un spațiu de cel puțin 20 cm deasupra aparatului și 10 cm în jurul acestuia.
- ▶ Nu amplasați niciodată aparatul într-o zonă cu umezeală sau într-un loc în care acesta poate fi stropit cu apă. Curățați și uscați stropiturile de apă și petele cu o cârpă curată, moale.
- ▶ Nu instalați aparatul în lumina directă a soarelui sau în apropierea surselor de căldură (de ex., cuptoare, radiatoare).
- ▶ Instalați și poziționați dispozitivul într-o zonă potrivită dimensiunilor și destinației sale.
- ▶ Mențineți fantele de aerisire ale aparatului sau încorporate în structură fără obstrucțiuni.
- ▶ Asigurați-vă că informațiile electrice de pe plăcuța cu date tehnice se potrivesc cu sursa de electricitate. Dacă nu se potrivesc, contactați un electrician.
- ▶ Dispozitivul este operat de o sursă de electricitate de 220-240 V c.a./ 50 Hz. Fluctuațiile anormale de tensiune pot face dispozitivul să nu pornească sau pot deteriora controlul temperaturii sau compresorul sau pot provoca un zgomot anormal în timpul utilizării. În acest caz, ar trebui să fie montat un regulator automat.
- ▶ Folosiți o priză separată cu împământare pentru alimentarea cu energie electrică, care să fie ușor accesibilă. Aparatul trebuie legat la împământare.
- ▶ **Doar pentru Regatul Unit:** Cablul de alimentare al dispozitivului este prevăzut cu ștecăr cu 3 piciorușe (împământare) care se potrivește cu o priză standard cu 3 găuri (împământată). Nu demontați sau nu tăiați niciodată cel de-al treilea picioruș (împământarea). După instalarea dispozitivului, ștecărul ar trebui să fie accesibil.
- ▶ Nu utilizați adaptoare cu ștecăre multiple și prelungitoare.
- ▶ Evitați prinderea cablului de alimentare în aparat. Nu călcați pe cablul de alimentare.
- ▶ Nu deteriorați circuitul refrigerant.
- ▶ Nu amplasați prizele portabile multiple sau alimentările portabile în spatele aparatului.



**AVERTIZARE!****Utilizarea cotidiană**

- ▶ Acest aparat poate fi utilizat de către copiii cu vârste de minim 8 ani și de către persoanele cu abilități fizice, senzoriale sau mentale reduse sau cu lipsă de experiență sau cunoștințe, cu condiția să fie supravegheate sau instruite corespunzător privind modul de utilizare a acestui aparat în siguranță și să înțeleagă pericolele implicate.
- ▶ Copiilor cu vârsta cuprinsă între 3 și 8 ani pot încărca și descărca aparate frigorifice, dar nu li se permite să curețe și să instaleze aparatele frigorifice.
- ▶ Țineți copiii mai mici de 3 ani la distanță de aparat, cu excepția cazului în care aceștia sunt supravegheați constant.
- ▶ Curățarea și întreținerea de către utilizator nu vor fi efectuate de copii fără supraveghere.
- ▶ Copiii nu se vor juca cu aparatul.
- ▶ Aparatul trebuie poziționat astfel încât ștecherul să fie accesibil.
- ▶ În cazul scurgerii gazului de răcire sau a altor gaze inflamabile în vecinătatea aparatului, închideți valva gazului care curge, deschideți ușile și ferestrele și nu deconectați niciun ștecăr al cablului de alimentare al aparatului sau al oricărui alt aparat.
- ▶ Rețineți faptul că aparatul este setat pentru funcționarea într-un interval specific de temperaturi ambientale, cuprins între 10 °C și 38 °C. Este posibil ca aparatul să nu funcționeze corespunzător dacă este lăsat o perioadă lungă de timp la o temperatură peste sau sub intervalul indicat.
- ▶ Nu puneți articole instabile (obiecte grele, recipiente umplute cu apă) deasupra aparatului, pentru a evita vătămarea cauzată de cădere sau de electrocutarea cauzată de contactul cu apa.
- ▶ Nu trageți de rafturile ușii. În caz contrar, ușa poate fi înclinată, raftul pentru sticle poate ieși sau aparatul se poate răsturna.
- ▶ Deschideți și închideți ușile numai cu ajutorul mânerelor. Spațiul liber dintre uși și dintre uși și dulap este foarte îngust. Nu întindeți mâinile în zonele respective, pentru a evita ciupirea degetelor. Deschideți sau închideți ușile numai atunci când nu se află niciun copil în raza de deplasare a ușii.
- ▶ Nu depozitați materiale inflamabile, explozive sau corozive în aparat sau în vecinătatea acestuia.
- ▶ Nu depozitați medicamente, bacterii sau agenți chimici în dispozitiv. Acest dispozitiv este un aparat electrocasnic. Nu este recomandat pentru depozitarea materialelor care necesită temperaturi stricte.
- ▶ Nu depozitați niciodată în congelator lichide în sticle sau doze (cu excepția băuturilor cu conținut ridicat de alcool), în special băuturi carbogazoase, deoarece acestea se vor sparge în timpul înghețării.



## AVERTIZARE!

### Utilizarea cotidiană

- ▶ Verificați starea alimentelor în cazul în care a avut loc încălzirea congelatorului.
- ▶ Nu setați o temperatură nenecesar de joasă în compartimentul frigiderului. În cazul setărilor ridicate, pot apărea temperaturi sub punctul de îngheț. Atenție: Sticlele se pot sparge.
- ▶ Nu atingeți produsele înghețate cu mâinile ude (purtați mănuși). În special, nu consumați înghețată pe băț imediat după scoaterea din compartimentul congelatorului. Există riscul de îngheț sau de formare a leziunilor provocate de îngheț. PRIMUL ajutor: puneți imediat sub jet de apă rece. Nu trageți!
- ▶ Nu atingeți suprafața interioară a compartimentului de depozitare al congelatorului atunci când este în funcțiune, în special cu mâinile ude, deoarece mâinile pot îngheța pe suprafață.
- ▶ Deconectați aparatul de la energia electrică în cazul unei pene de curent sau înainte de curățare. Așteptați cel puțin 5 minute înainte de repornirea aparatului, deoarece pornirea frecventă poate deteriora compresorul.
- ▶ Nu utilizați dispozitive electrice în interiorul compartimentelor de depozitare a alimentelor ale aparatului decât dacă acestea sunt de tipul recomandat de către producător.
- ▶ Utilizați numai apă potabilă pentru modelele cu dozator de apă.

### Întreținere/curățare

- ▶ Asigurați-vă că supravegheați copiii dacă aceștia se ocupă de curățare și întreținere.
- ▶ Deconectați aparatul de la rețeaua de alimentare înainte de efectuarea întreținerii de rutină. Așteptați cel puțin 5 minute înainte de repornirea aparatului, deoarece pornirea frecventă poate deteriora compresorul.
- ▶ Țineți de ștecăr, nu de cablu, atunci când deconectați aparatul.
- ▶ Nu răzuți gheața cu obiecte ascuțite. Nu folosiți pulverizatoare, dispozitive electrice de încălzire precum radiatoare, uscătoare de păr, aparate de curățat cu abur sau alte surse de căldură, pentru a evita deteriorarea pieselor din plastic.
- ▶ Nu utilizați dispozitive mecanice sau alte mijloace de a accelera procesul de decongelare, diferite de cele recomandate de producător.
- ▶ Nu curățați aparatul cu perii aspre, cu perii de sârmă, cu detergent pulbere, benzină, acetat de amil, acetonă sau soluții organice similare, soluții acide sau alcaline. Curățați cu detergent special pentru frigider pentru a evita deteriorările.
- ▶ Puteți utiliza apă caldă și soluție de bicarbonat de sodiu – aproximativ o lingură de bicarbonat de sodiu la un litru de apă. Clătiți cu apă și ștergeți.

Nu folosiți pulberi de curățare sau alte produse de curățare abrazive. Nu spălați piesele detașabile în mașina de spălat vase



### AVERTIZARE!

#### Întreținere/curățare

- ▶ Dacă cablul de alimentare este deteriorat, acesta trebuie înlocuit de către producător, sau agentul său de service sau persoane calificate similare, pentru a evita orice pericol.
- ▶ Nu încercați să reparați, să dezamblați sau să modificați dispozitivul de unul singur. În cazul în care este necesară o reparație, vă rugăm să contactați serviciul de relații cu clienții.
- ▶ Dacă becurile de iluminare sunt deteriorate, acestea trebuie înlocuite de către producător sau de agentul de service sau de persoane calificate, pentru a evita orice pericol.
- ▶ Eliminați praful din spatele unității cel puțin o dată pe an, pentru a evita riscul de incendiu, dar și consumul mărit de energie.
- ▶ Nu pulverizați și nu spălați aparatul în timpul curățării.
- ▶ Nu folosiți pulverizarea cu apă sau aburi de apă în timpul curățării aparatului.
- ▶ Nu curățați rafturile reci din sticlă cu apă fierbinte. Schimbarea bruscă de temperatură poate face ca sticla să se spargă.
- ▶ Dacă nu veți utiliza aparatul pentru o perioadă îndelungată, lăsați-l deschis pentru a preveni apariția mirosurilor și mirosurilor neplăcute în interior.

### Informații privind gazul refrigerant



### AVERTIZARE!

Aparatul conține agentul refrigerant inflamabil IZOBUTAN (R600a). Asigurați-vă că circuitul refrigerant nu este deteriorat în timpul transportării sau instalării. Scurgerile de agent refrigerant pot cauza vătămări ale ochilor sau se pot aprinde. Dacă s-a produs o deteriorare a aparatului, țineți la distanță de sursele de flăcări deschise, ventilați bine camera, nu conectați și nu deconectați cablurile de alimentare ale aparatului sau ale oricărui alt aparat. Informați serviciul de asistență pentru clienți.

În cazul în care agentul refrigerant intră în contact cu ochii, spălați imediat în jet de apă și contactați imediat un specialist oftalmolog.


AVERTIZARE: Sistemul de refrigerare este sub presiune ridicată. Nu-l manipulați. Deoarece se utilizează agenți frigorifici inflamabili, vă rugăm să instalați, să manipulați, și efectuați operațiuni de service asupra aparatului strict urmând instrucțiunile și să contactați agentul profesional sau serviciul nostru post-vânzare pentru a elimina aparatul.

### 2.1 Destinația utilizării

Acest aparat este destinat utilizării casnice și utilizărilor asemănătoare, cum ar fi:

- în zona de bucătărie pentru personalul din magazine, în birouri sau alte medii de lucru;
  - ferme și clienții din hoteluri, moteluri și alte tipuri de medii rezidențiale;
  - mediile pensiunilor;
  - aplicații de catering și alte aplicații non-retail similare.
- Dacă aparatul nu este utilizat pe o perioadă extinsă de timp și nu veți folosi funcția Vacanță pentru frigider/congelator:
- Scoateți alimentele.
  - Deconectați cablul de alimentare.
  - Goliți și curățați rezervoarele de apă.
  - Curățați aparatul conform descrierii de mai sus.
  - Țineți ușile deschise pentru a preveni apariția mirosurilor neplăcute în interior.
- Pentru a asigura conservarea în condiții de siguranță a produselor alimentare sau a vinului, vă rugăm să respectați aceste instrucțiuni de utilizare.
- Pentru a evita contaminarea alimentelor (nu se aplică pentru crame), vă rugăm să respectați următoarele instrucțiuni:
- Deschiderea ușii pentru perioade lungi de timp poate provoca o creștere semnificativă a temperaturii în compartimentele aparatului.
  - Curățați regulat suprafețele care pot intra în contact cu alimente și sisteme de drenaj accesibile.
  - Curățați rezervoarele de apă dacă nu au fost utilizate timp de 48 de ore; spălați sistemul de apă conectat la o sursă de alimentare în cazul în care apa nu a circulat timp de 5 zile.
  - Păstrați carnea crudă și peștele în recipiente adecvate în frigider/congelator, astfel încât să nu fie în contact cu alte alimente sau să nu picure pe alte alimente. Pentru a asigura conservarea în condiții de siguranță a produselor alimentare, alimentele instant și carnea/peștele proaspăt se depozitează separat.
  - Compartimentele de două stele pentru alimente congelate sunt potrivite pentru depozitarea alimentelor congelate, depozitarea sau pregătirea înghețatei și pregătirea cuburilor de gheață.
  - Compartimentele de una, două și trei stele nu sunt potrivite pentru înghețarea alimentelor proaspete.
  - Dacă aparatul frigorific este lăsat gol pentru perioade lungi de timp, opriți, dezghețați, curățați, uscați și lăsați ușa deschisă pentru a preveni apariția mucegaiului în interiorul aparatului.
- Detaliile privind compartimentul specific cel mai potrivit pentru depozitarea diferitelor tipuri de alimente, având în vedere distribuția temperaturii care variază în funcție de compartiment, sunt incluse în celălalt manual.

**Eliminare**

Simbolul  de pe produs sau de pe ambalaj indică faptul că este posibil ca produsul să nu fie considerat deșeu menajer. Acesta trebuie dus, în schimb, la un punct de colectare adecvat pentru reciclarea echipamentelor electrice și electronice. Asigurându-vă că acest produs este eliminat corect, veți ajuta la prevenirea potențialelor consecințe negative pentru mediu și sănătatea umană, care s-ar putea produce prin eliminarea incorectă a acestui produs. Pentru informații detaliate privind reciclarea acestui produs, vă rugăm să contactați autoritățile locale, serviciile locale care se ocupă cu eliminarea deșeurilor sau magazinul de unde ați achiziționat produsul.

Deoarece se utilizează gazele inflamabile de gonflare a izolației, vă rugăm să contactați agentul profesional sau serviciul nostru post-vânzări pentru a elimina aparatul.

**AVERTIZARE!****Risc de vătămare sau sufocare!**

Agenții de refrigerare și gazele trebuie eliminate profesionist. Asigurați-vă că tubulatura circuitului refrigerant nu este deteriorată înainte de eliminarea corespunzătoare a acesteia. Deconectați aparatul de la rețeaua de curent. Tăiați cablul de alimentare de la rețeaua de curent și eliminați-l. Scoateți tăvile și sertarele, dar și opritorul și garniturile ușii, pentru a preveni închiderea copiilor și a animalelor în aparat.

Nu este permisă aducerea schimbărilor sau modificărilor dispozitivului. Utilizarea necorespunzătoare poate duce la apariția pericolelor și la pierderea garanției.

**2.2 Accesorii**

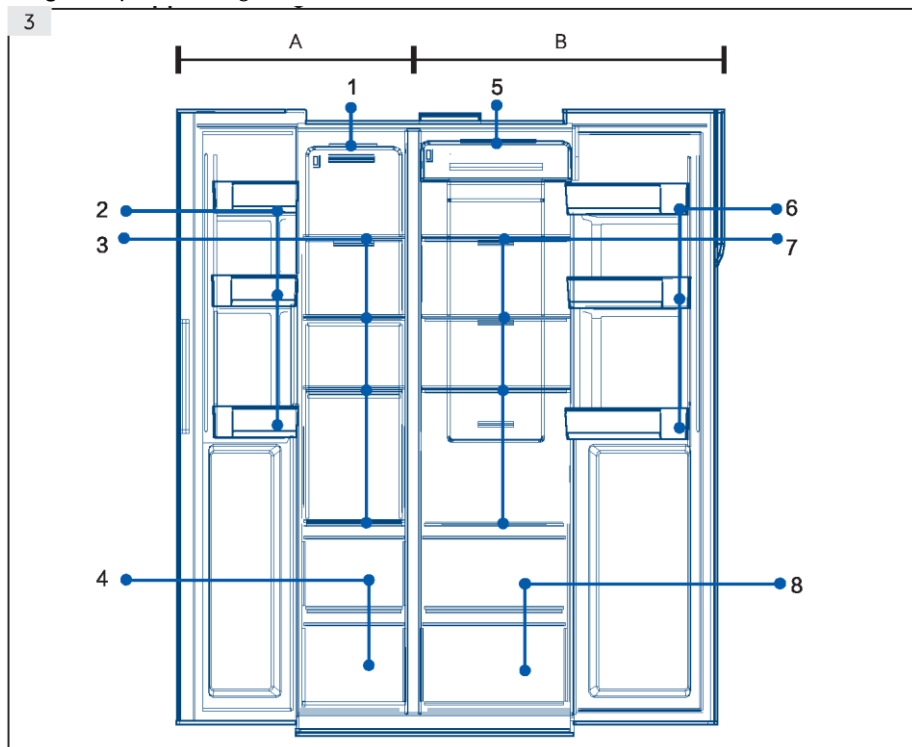
Verificați accesoriile și documentația în conformitate cu această listă (fig. 2.2):



## **i** Notificare

Ca urmare a modificărilor tehnice și a diferitelor modele, unele ilustrații din acest manual pot diferi de modelul dvs.

### Imaginea aparatului (fig. 3)



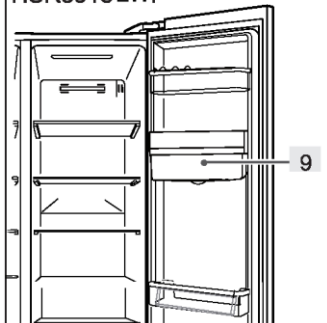
#### A: Compartiment congelator

- 1 Bec de tavan
- 2 Raft ușă/suport pentru sticle
- 3 Rafturi frigorifice
- 4 Cutie frigorifică

#### B: Compartiment frigider

- 5 Bec de tavan
- 6 Raft ușă/suport pentru sticle
- 7 Rafturi frigider
- 8 Cutie frigider
- 9 Rezervor de apă

#### HSR3918EWP\*



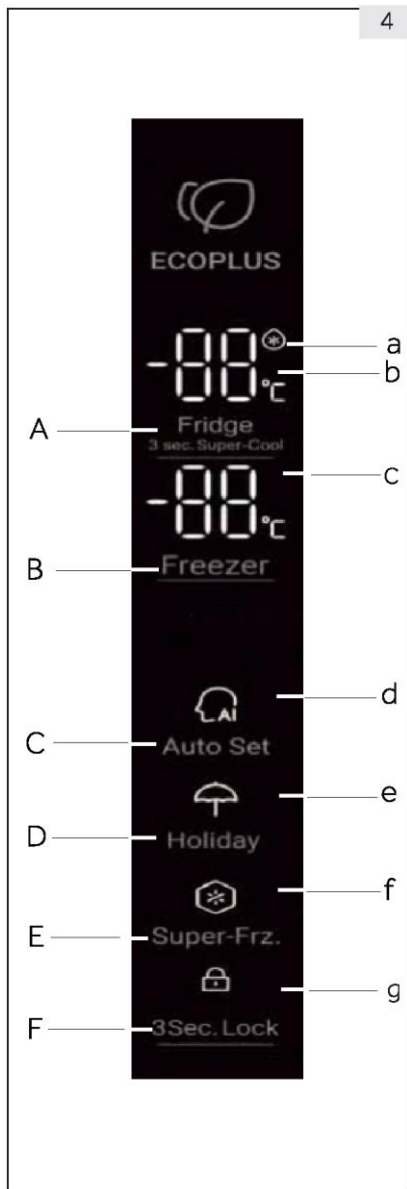
## Panou de comenzi (fig. 4)

## Taste:

- A Selector frigider
- B Selector congelator
- C Modul de Setare automată
- D Modul Vacanță
- E Modul Congelare rapidă
- F Selector blocarea panoului

## Indicatori:

- a Modul Răcire rapidă
- b Temperatura frigiderului
- c Temperatura congelatorului
- d Modul de Setare automată
- e Modul Vacanță
- f Modul Congelare rapidă
- g Blocare panou



## 5.1 Prima utilizare

Când frigiderul este conectat la sursa de alimentare pentru prima dată, afișajul pornește. Temperatura implicită pentru compartimentul frigiderului este de 4 °C, iar congelatorul este de -18 °C. Lumina funcției inteligente este aprinsă.

## 5.2 Blocare/deblocare panou

Blocare automată:

Când ușa frigiderului și ușa congelatorului sunt închise și când niciun buton este apăsat timp de 30 de secunde, lumina panoului se va stinge automat, iar panoul se blochează.

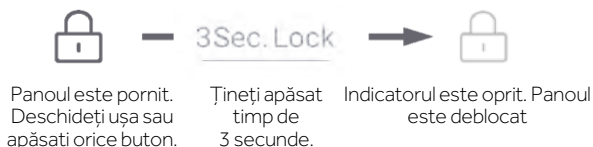
Blocare manuală:

Când panoul este deblocat, apăsați butonul Blocare timp de 3 secunde, iar soneria va emite un semnal sonor asemănător unui zumzet, indicatorul de blocare pornește, iar ecranul se blochează.



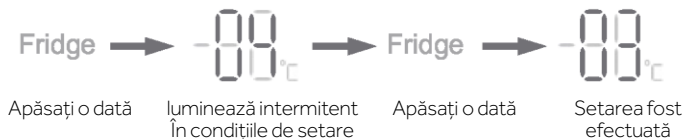
Deblocare:

Când panoul este oprit, deschideți orice ușă a frigiderului sau atingeți orice buton de pe panoul de comenzi, iar panoul se va activa. În acest moment, panoul este blocat. Apăsați butonul funcției de blocare timp de 3 secunde, soneria va suna, indicatorul de blocare se va opri, iar panoul se va debloca.



## 5.3 Ajustarea temperaturii frigiderului

1. Atunci când panoul de comenzi este deblocat, apăsați „Selectorul frigiderului”, va fi emis un semnal sonor. Indicatorul de temperatură al frigiderului luminează intermitent. Acum puteți seta temperatura frigiderului.
2. Apoi, prin fiecare apăsare a selectorului frigiderului, soneria va suna, iar temperatura va scădea cu 1. Secvența de schimbare este într-un ciclu continuu ca „4 °C/ 3 °C/ 2 °C/ 1 °/ 9 °C/ 8 °C/ 7 °C/ 6 °C/ 5 °C/ 4 °C”



### Notificare

► Aparatul este presetat la temperatura recomandată de 4 °C (frigider) și -18 °C (congelator). În condiții de temperaturi ambientale normale nu este necesară setarea unei temperaturi.



### 5.4 Ajustarea temperaturii congelatorului

1. Atunci când panoul de comenzi este deblocat, apăsați „Selectorul congelatorului”. Va fi emis semnalul sonor, iar indicatorul de temperatură al congelatorului luminează intermitent. Acum temperatura congelatorului poate fi setată.

2. Apoi, prin fiecare apăsare a selectorului congelatorului va fi emis un semnal sonor, iar temperatura va scădea cu 1 grad. Secvența de schimbare este într-un ciclu continuu ca „-18 °C/ -19 °C/ -20 °C/ -21 °C/ -22 °C/ -23 °C/ -24 °C/ -14 °C/ -15 °C/ -16 °C/ -17 °C/ -18 °C”.



#### Notificare

- ▶ Temperatura este setată. Dacă nu se apasă niciun buton în decursul a 5 secunde, temperatura va fi confirmată și salvată automat.

### 5.5 Setarea automată

1. Când panoul de comenzi este deblocat, apăsați „Selectorul modului de setare automată”, iar indicatorul modului de setare automată a soneriei este activat. Modul de setare automată pornește.

2. Atunci când indicatorul modului de setare automată este activat, apăsați selectorul modului de setare automată. Soneria va suna, indicatorul modului de setare automată se va dezactiva și modul setarea automată se va închide.



#### Notificare

- ▶ Când modul de setare automată este pornit, temperatura frigiderului și temperatura congelatorului nu pot fi selectate. Când selectorul frigiderului sau selectorul congelatorului este apăsat, indicatorul modului de setare automată luminează intermitent și emite semnale sonore care vă reamintesc că operația nu este permisă. Cu modul de setare automată, dacă este selectată funcția răcire rapidă, congelare rapidă sau modul vacanță, modul de setare automată se va dezactiva și se va închide automat.

### 5.6 Modul Vacanță

Modul Vacanță este conceput pentru situația în care frigiderul nu va fi utilizat o perioadă îndelungată. Când modul Vacanță este pornit, temperatura congelatorului poate fi selectată, în timp ce temperatura frigiderului este setată automat la 17 °C, ceea ce previne formarea mirosurilor neplăcute din cauza temperaturii ridicate din compartimentul frigiderului, și, de asemenea, economisește consumul de energie.

1. Când panoul de comenzi este deblocat, apăsați „Selectorul modului Vacanță”. Va fi emis un semnal sonor, iar indicatorul Funcție Vacanță va porni. Modul Vacanță pornește.
2. Când indicatorul modului Vacanță este activat, apăsați selectorul funcției Vacanță. După semnalul sonor, indicatorul modului Vacanță se va dezactiva, iar modul Vacanță se închide.

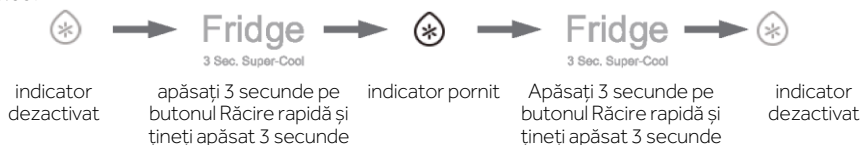


#### Notificare

- ▶ Când modul Vacanță este activat, temperatura frigiderului nu poate fi selectată. Când selectorul modului Vacanță este apăsat, indicatorul modului Vacanță luminează intermitent și emite semnale sonore care vă reamintesc că operația nu este permisă. Înainte de a selecta modul Vacanță, vă rugăm să goliți compartimentul frigiderului pentru a evita degradarea alimentelor. Atunci când modul Vacanță este pornit, funcția inteligentă și răcire rapidă nu pot fi selectate simultan. Dacă este selectat modul inteligent sau răcire rapidă, indicatorul modului Vacanță este dezactivat, iar funcția se închide automat.

### 5.7 Modul Răcire rapidă

1. Când panoul de comenzi este deblocat, apăsați „Selectorul frigiderului” timp de 3 secunde. Soneria va emite un semnal sonor asemănător unui zumzet, iar indicatorul răcire rapidă se va activa. Funcția Răcire rapidă pornește.
2. Când indicatorul Răcire rapidă este pornit, apăsați selectorul frigiderului timp de 3 secunde, soneria va emite un sunet, iar indicatorul răcire rapidă se oprește. Modul Răcire rapidă se închide.
3. Atunci când modul Răcire rapidă este pornit, frigiderul va trece automat la starea de oprire a modului Răcire rapidă după ce modul Răcire rapidă ajunge la starea stabilită. Dacă doriți să ieșiți manual, puteți apăsa selectorul frigiderului timp de 3 secunde pentru a dezactiva modul Răcire rapidă.

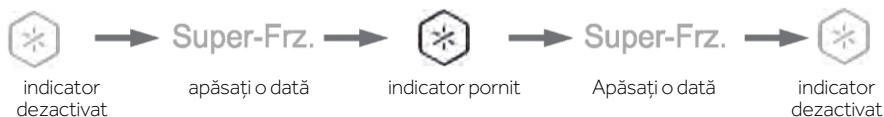


#### Notificare

- ▶ Atunci când funcția Răcire rapidă este activată, modul Fuzzy și modul Vacanță nu pot fi selectate simultan. Dacă este selectat modul Fuzzy sau modul Vacanță, indicatorul Răcire rapidă este oprit și Răcirea rapidă se va închide automat.

### 5.8 Modul Congelare rapidă

1. Atunci când panoul de comenzi este deblocat, apăsați „Selectorul congelare rapidă”. După semnalul sonor indicatorul congelare rapidă se activează. Modul Congelare rapidă pornește.
2. Atunci când indicatorul congelare rapidă activat, apăsați selectorul congelare rapidă. După semnalul sonor indicatorul congelare rapidă se activează. Modul Congelare rapidă se oprește.
3. Atunci când modul Congelare rapidă este pornit, frigiderul va trece automat la starea de oprire a modului Congelare rapidă după ce modul Congelare rapidă ajunge la starea stabilă. Dacă doriți să ieșiți manual, puteți apăsa selectorul Congelare rapidă timp de 3 secunde pentru a dezactiva modul Congelare rapidă.



#### Notificare

- Modul Congelare rapidă este conceput pentru a conserva elementele nutritive ale alimentelor din compartimentul frigorific, iar alimentele sunt congelate în cel mai scurt timp. În cazul în care o cantitate mare de alimente urmează să fie congelată în același timp este recomandat să setați modul Congelare rapidă cu 24 de ore înainte pentru a ajunge la o temperatură mai scăzută în compartimentul congelator înainte de a depozita alimentele. În această condiție, viteza de congelare în compartimentul congelator este mai mare, iar alimentele pot fi congelate rapid, păstrând în mod eficient elementele nutritive ale alimentelor și facilitând depozitarea. În starea Congelare rapidă, dacă doriți să alegeți funcția inteligentă, indicatorul Congelare rapidă se va dezactiva, iar modul Congelare rapidă se închide automat.

### 5.9 Alarmă de ușă deschisă

Când ușa a rămas deschisă prea mult timp sau când ușa nu este închisă, frigiderul va emite o alarmă de picurare de fiecare dată pentru a vă reaminti să închideți ușa la timp.

### 5.10 Economisirea energiei panoului de comenzi

Dacă nu se efectuează nicio operație pe panoul de comenzi timp de 30 de secunde, panoul se va opri automat și va intra în starea de blocare, care permite economisirea energiei. Când butonul funcției de blocare este apăsat sau una din uși este deschisă, panoul de comenzi se va activa.

### 5.11 Funcția de memorie pană de curent

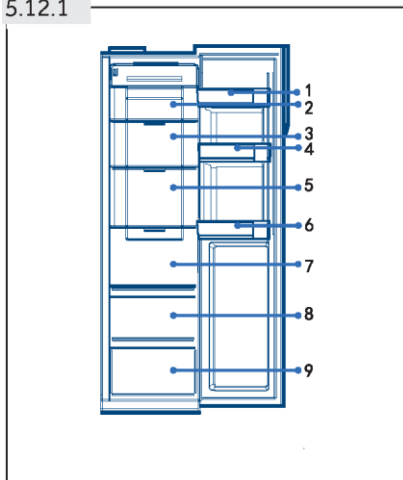
Când frigiderul este oprit, starea de funcționare la momentul întreruperii curentului este memorată. După ce alimentarea pornește din nou, frigiderul continuă să funcționeze în funcție de ciclul și starea de funcționare setată înainte de întreruperea energiei electrice. Atenție: Funcția de blocare nu este memorată. După ce frigiderul pornește din nou, panoul de comenzi începe auto-verificarea, indicatorul funcției de blocare se oprește, iar frigiderul este deblocat.

## 5.12 Sfaturi legate de depozitarea alimentelor proaspete

### 5.12.1 Depozitarea în compartimentul frigiderului

- ▶ Mențineți temperatura frigiderului sub 5 °C.
- ▶ Alimentele fierbinți trebuie răcite la temperatura camerei înainte de a fi depozitate în aparat.
- ▶ Alimentele depozitate în frigider trebuie spălate și uscate înainte de depozitare
- ▶ Alimentele care vor fi depozitate trebuie sigilate corespunzător pentru a evita modificarea mirosului sau a gustului.
- ▶ Nu depozitați cantități excesive de alimente. Lăsați spații între alimente pentru a permite trecerea fluxului de aer rece în jurul acestora, pentru o răcire mai bună și mai omogenă.
- ▶ Alimentele consumate zilnic trebuie depozitate în partea din față a raftului.
- ▶ Lăsați un spațiu între alimente și pereții interior, pentru a permite trecerea aerului. În special, nu depozitați alimente lipite de perețele din spate: alimentele pot îngheța pe perețele din spate. Evitați contactul direct dintre alimente (în special alimentele uleioase sau acide) și căptușeala interioară, deoarece uleiul/acidul poate eroda căptușeala interioară. Curățați reziduurile de ulei/acid atunci când le depistați.
- ▶ Decongețați alimentele congelate în compartimentul de depozitare al frigiderului. În acest fel, puteți utiliza alimentele congelate pentru a reduce temperatura din compartiment și pentru a economisi energie.
- ▶ Procesul de îmbătrânire a fructelor și legumelor precum dovlecei, pepene, papaya, banane, ananas etc. poate fi accelerat în frigider. Prin urmare, nu este recomandată depozitarea lor în frigider. Totuși, coacerea fructelor foarte verzi poate fi accelerată pentru o anumită perioadă. Și ceapa, usturoiul, ghimbirul și alte legume rădăcinoase trebuie depozitate la temperatura camerei.
- ▶ Mirosurile neplăcute din interiorul frigiderului reprezintă un semn că ceva s-a vărsat și este necesară curățarea. Consultați secțiunea ÎNGRIJIRE ȘI CURĂȚARE.
- ▶ Alimentele diferite trebuie amplasate în zone diferite, în funcție de proprietățile acestora (fig. 5.12.1)

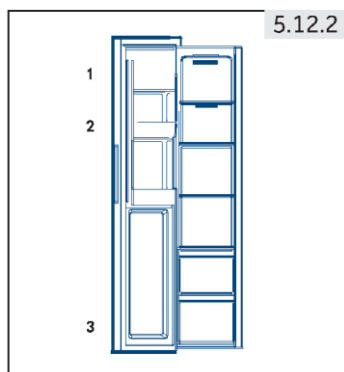
5.12.1



- 1 Unt, brânză etc.
- 2 Alimente murate, alimente în conserve etc.
- 3 Alimente murate, alimente în conserve etc.
- 4 Conserve, alimente în conserve, condimente etc.
- 5 Produse din carne, gustări etc.
- 6 Băuturi și alimente în sticle.
- 7 Paste, alimente în conserve, lapte, tofu, lactate etc.
- 8 Fructe, legume, salată etc.
- 9 Carne gătită, cărnați etc.

### 5.12.2 Depozitarea în compartimentul congelatorului

- ▶ Mențineți temperatura congelatorului la -18 °C.
- ▶ Cu 24 de ore înainte de congelare porniți funcția Congelare rapidă: -pentru cantități mici de alimente sunt suficiente 4-6 ore.
- ▶ Alimentele fierbinți trebuie răcite la temperatura camerei înainte de a fi depozitate în compartimentul congelatorului.
- ▶ Alimentele tăiate în bucăți mici vor congela mai repede și vor fi mai ușor de decongelat și gătit. Greutatea recomandată pentru fiecare bucată este de sub 2,5 kg.
- ▶ Este recomandată ambalarea alimentelor înainte de amplasarea lor în congelator. Exteriorul ambalajului trebuie să fie uscat pentru a evita lipirea pungilor între ele. Materialele folosite pentru ambalare trebuie să nu aibă miros, să fie etanșe, să nu fie otrăvitoare sau toxice.
- ▶ Pentru a evita expirarea perioadelor de depozitare, notați data congelării, limita în timp și denumirea alimentelor pe ambalaj în funcție de perioadele de depozitare ale diferitelor alimente.
- ▶ **AVERTIZARE:** Produsele acide, alcaline și sarea etc. pot eroda suprafața interioară a congelatorului. Nu puneți alimentele care conțin aceste substanțe (de exemplu, pește marin) direct pe suprafața interioară. Apa sărată din interiorul congelatorului trebuie curățată imediat.
- ▶ Nu depășiți perioadele de depozitare a alimentelor recomandate de producători. Scoateți din congelator numai cantitatea necesară de alimente.
- ▶ Alimentele diferite trebuie amplasate în zone diferite, în funcție de proprietățile acestora (fig. 5.12.2)



- 1 Articole ușoare, precum înghețată, legume, pâine etc.
- 2 Băuturi fără conținut ridicat de alcool și depozitarea temporară a băuturilor spirtoase cu un conținut ridicat de alcool, părți mici, cum ar fi Pizza sau ierburi aromatice.
- 3 Porții mari/mai grele de alimente precum cotletele pentru grătar



### Notificare: Depozitare

- ▶ Vă rugăm să păstrați distanța mai mare de 10 mm între alimentele stocate și senzor pentru a asigura efectul de răcire.
- ▶ Vă rugăm să păstrați sertarul cel mai mic atunci când aparatul funcționează pentru a asigura efectul de răcire.
- ▶ Alimentele cu gheață (cum ar fi înghețata etc.) trebuie depozitate în interiorul compartimentului frigorific în loc de pe suportul pentru sticle, pentru ca schimbările de temperatură de pe suportul pentru sticle provocate de deschiderea și închiderea ușii să dezghețe alimentele.
- ▶ Consumați alimentele decongelate în scurt timp. Alimentele decongelate nu pot fi recongelate decât dacă sunt gătite, mai întâi. În caz contrar, acestea pot fi mai puțin comestibile.
- ▶ Nu încărcați cantități excesive de alimente proaspete în compartimentul congelatorului. Consultați capacitatea de congelare a congelatorului - Vedeti DATELE TEHNICE sau datele de pe plăcuța de identificare.
- ▶ Alimentele pot fi depozitate în congelator la o temperatură de cel puțin -18°C timp de 2-12 luni, în funcție de proprietăți (de ex. carnea: 3-12 luni, legumele: 6-12 luni)
- ▶ Atunci când congelați alimente proaspete, evitați contactul dintre acestea și alimentele deja congelate. Risc de decongelare!
- ▶ Decongelați alimentele congelate în frigider. În acest fel, puteți utiliza alimentele congelate pentru a reduce temperatura din compartiment și pentru a economisi energie.

#### 5.12.3 În cazul depozitării alimentelor congelate comercial, urmați următoarele indicații:

- ▶ Urmați întotdeauna instrucțiunile producătorilor privind durata de timp în care puteți depozita alimentele. Nu depășiți aceste indicații!
- ▶ Încercați să păstrați durata de timp dintre cumpărare și depozitare cât mai mică posibil pentru a menține calitatea alimentelor.
- ▶ Cumpărați alimente congelate care au fost depozitate la o temperatură de -18 °C sau mai joasă.
- ▶ Evitați să cumpărați alimente care au gheață pe ambalaj - acest lucru indică faptul că produsele pot să fi fost decongelate parțial și recongelate într-un anumit moment; creșterile de temperatură afectează calitatea alimentelor.

### 5.13 Dozator de apă (HSR3918 EWP\*)

Cu ajutorul dozatorului de apă poate fi asigurată apă potabilă rece.

Rezervorul de apă trebuie curățat înainte de prima utilizare (consultați secțiunea ÎNGRIJIRE ȘI CURĂȚARE). 5.13.1

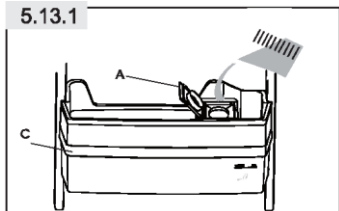
#### 5.13.1 Umplerea rezervorului de apă



### AVERTIZARE!

Folosiți doar apă potabilă.

#### 5.13.1



1. Asigurați-vă că rezervorul de apă este introdus corect (consultați secțiunea ECHIPAMENT)
2. Deschideți capacul (A) și turnați apă potabilă proaspătă în rezervorul de apă (Fig.5.13.1)
3. Umpleți cu apă numai până la marcaj (2,5 l); în caz contrar, apa se poate revărsa la deschiderea și închiderea ușii.
4. Închideți complet capacul (A).

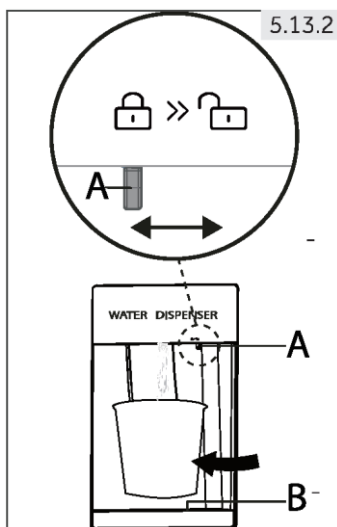


### Notificare: Dozator de apă

- ▶ Înainte de reumplere, eliminați apa reziduală și curățați rezervorul de apă.
- ▶ Atunci când nu aveți nevoie de apă pentru o perioadă lungă de timp, goliți rezervorul de apă și introduceți rezervorul curățat.
- ▶ Capacul (C) rezervorului de apă (fig. 5.13.1) este utilizat și pentru economisirea energiei. Dacă nu doriți să folosiți apă de la dozatorul de apă pentru o perioadă lungă de timp, montați, totuși, capacul, deoarece acesta ajută la izolare și la economisirea energiei.

#### 5.13.2 Obținerea apei de la dozator

1. Asigurați-vă că încuietorea (A) se află în poziția „Deblocare” (fig. 5.13.2).
2. Puneți un pahar sub orificiul de ieșire a apei.
3. Împingeți ușor cu paharul pe mânerul dozatorului de apă.  
Asigurați-vă că paharul este aliniat cu dozatorul pentru a preveni stropirea cu apă.
4. Apa din tavă (B) trebuie îndepărtată la timp, deoarece s-ar putea scurge când ușa se deschide și se închide.
5. Glisați încuietorea (A) în poziția „Blocare”

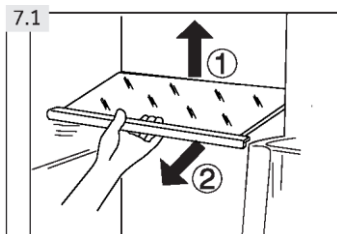




### Sfaturi de economisire a energiei

- ▶ Asigurați-vă că aparatul este ventilat corespunzător (consultați secțiunea INSTALARE).
- ▶ Nu instalați aparatul în lumina directă a soarelui sau în apropierea surselor de căldură (de ex., cuptoare, radiatoare).
- ▶ Evitați setarea temperaturilor neneceșar de scăzute în aparat. Consumul de energie crește odată cu scăderea temperaturii setate în aparat.
- ▶ Funcțiile precum Răcire rapidă (SUPER-COOL) sau Congelare rapidă (SUPER-FREEZE) consumă mai multă energie.
- ▶ Lăsați alimentele calde să se răcească înainte de a le amplasa în aparat.
- ▶ Deschideți ușa aparatului cât mai puțin și pentru o perioadă cât mai scurtă posibil.
- ▶ Nu umpleți excesiv aparatul, pentru a evita obstrucționarea fluxului de aer.
- ▶ Evitați prezența aerului în ambalajul alimentelor.
- ▶ Mențineți garniturile ușii curate astfel încât ușa să se închidă corect întotdeauna.
- ▶ Decongelați alimentele congelate în compartimentul de depozitare al frigiderului.





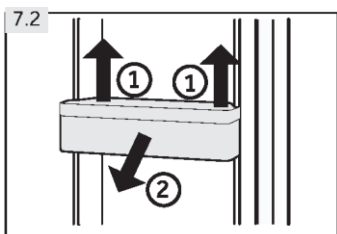
### 7.1 Rafturi ajustabile

Înălțimea rafturilor poate fi ajustată pentru a se potrivi nevoilor dvs. de depozitare.

1. Pentru re poziționarea unui raft, scoateți-l mai întâi prin ridicarea marginii din spate (1) și tragerea în afară (2) (fig. 7.1).
2. Pentru montarea la loc, așezați-l pe canalele de pe ambele părți și împingeți-l în cea mai din spate poziție, până când partea din spate a raftului este fixată în interiorul fantelor laterale.

## **i** Notificare: Rafturile

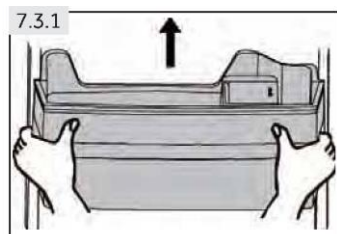
Asigurați-vă că toate capetele unui raft sunt drepte.



### 7.2 Rafturi de ușă detașabile/suport pentru sticle

Rafturile de ușă/suportul pentru sticle pot fi demontate pentru a fi curățate:

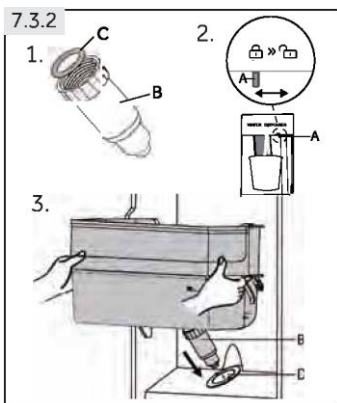
1. Puneți mâinile pe fiecare parte a raftului/suportului, ridicați-l (1) (fig. 7.2).
2. Scoateți raftul de ușă/suportul pentru sticle (2).
3. Pentru introducerea raftului de ușă/suportul pentru sticle urmați pașii de mai sus în ordine inversă.



### 7.3 Rezervor de apă (HSR3918EWP\*)

#### 7.3.1 Demontarea rezervorului de apă

Rezervorul de apă poate fi demontat pentru curățare și montat la loc în același mod ca rafturile de ușă (fig. 7.3.1).



#### 7.3.2 Introducerea rezervorului de apă

1. Asigurați-vă că dozatorul (B) este bine înșurubat pe rezervorul de apă și că garnitura inelară albă (C) este în poziția sa (Fig. 7.3.2-1.).
2. Glišați încuietoarea (A) în poziția „Blocare” (Fig. 7.3.2-2.)
3. Amplasați rezervorul de apă în poziția în care dozatorul (B) se potrivește în deschiderea ușii (D) (Fig. 7.3.2-3.).

## **i** Notificare: Rezervor de apă

- ▶ Dacă rezervorul de apă nu este introdus corespunzător, apa poate curge pe la racord.
- ▶ Nu aplicați o forță excesivă atunci când scoateți sau montați la loc rezervorul de apă, pentru a evita deteriorarea acestuia.

## 7.4 Suportul pentru sticle – compartimentul congelator

Suporturile pentru sticle ale compartimentului congelator sunt destinate depozitării temporare a băuturilor spirtoase cu un conținut ridicat de alcool. Băuturile fără un conținut ridicat de alcool trebuie răcite în frigider.

În plus, puteți stoca piese mici pe suporturile pentru sticle.



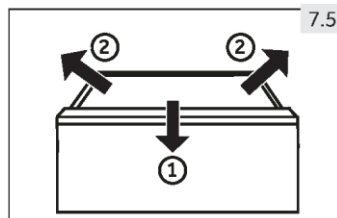
### AVERTIZARE!

Sticlele și dozele pot exploda! Setează un cronometru care vă va reaminti să eliminați sticlele/dozele fără conținut ridicat de alcool.

## 7.5 Sertar demontabil

Pentru a scoate sertarul din compartimentul frigider sau congelator, trageți sertarul maxim în afară (1), ridicați-l și scoateți-l (2) (fig. 7.5).

Pentru introducerea sertarului urmați pașii de mai sus în ordine inversă.



## 7.6 Lumina

Lumina de la ledul interior se aprinde la deschiderea ușii. Performanța luminilor nu este afectată de nicio altă setare a aparatului.

**AVERTIZARE!**

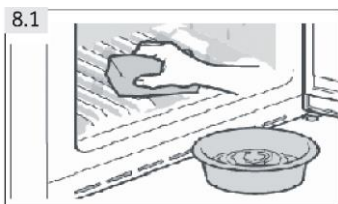
Deconectați aparatul de la rețeaua de alimentare înainte de curățare.

**8.1 Curățare**

Curățați aparatul atunci când sunt depozitate puține alimente sau când acesta este gol. Aparatul trebuie curățat o dată la patru săptămâni pentru o întreținere corectă și pentru a preveni mirosurile neplăcute cauzate de mâncarea depozitată.

**AVERTIZARE!**

- ▶ Nu curățați aparatul cu perii aspre, cu perii de sârmă, cu detergent pulbere, benzină, acetat de amil, acetonă sau soluții organice similare, soluții acide sau alcaline. Curățați cu detergent special pentru frigider pentru a evita deteriorările.
- ▶ Nu pulverizați și nu spălați aparatul în timpul curățării.
- ▶ Nu folosiți pulverizarea cu apă sau aburi de apă în timpul curățării aparatului.
- ▶ Nu curățați rafturile reci din sticlă cu apă fierbinte. Schimbarea bruscă de temperatură poate face ca sticla să se spargă.
- ▶ Nu atingeți suprafața interioară a compartimentului de depozitare al congelatorului, în special cu mâinile ude, deoarece mâinile pot îngheța pe suprafață.
- ▶ În cazul încălzirii, verificați starea produselor congelate.



8.1


- ▶ Asigurați întotdeauna curățenia garniturii ușii.
- ▶ Curățați interiorul și carcasa aparatului cu un burete înmuiat în apă caldă și detergent neutru (fig. 8.1).

1. Este indicat să ștergeți interiorul și exteriorul frigiderului, inclusiv garniturile ușilor, raftul de pe uși, rafturile din sticlă, cutiile și celelalte elemente, cu un prosop moale sau cu un burete înmuiat în apă caldă (puteți adăuga detergent neutru în apa caldă).
2. Dacă se varsă lichid, îndepărtați toate părțile contaminate, clătiți direct cu jet de apă, uscați-le și puneți-le înapoi în frigider.
3. Dacă se varsă alimente cu consistență cremoasă (cum ar fi smântâna, înghețata topită), vă rugăm să îndepărtați toate părțile contaminate, puneți-le în apă caldă la aproximativ 40°C pentru o perioadă de timp, apoi clătiți-le cu jet de apă, uscați-le și puneți-le înapoi în frigider.
4. În cazul în care o parte mică sau o componentă este blocată în interiorul frigiderului (între rafturi sau sertare), utilizați o perie mică și moale pentru a o elibera. Dacă nu ați putut ajunge la piesa respectivă, vă rugăm să contactați serviciul Haier.
  - ▶ Clătiți și uscați cu o cârpă moale.
  - ▶ Nu curățați nicio parte a aparatului în mașina de spălat vase.
  - ▶ Așteptați cel puțin 5 minute înainte de repornirea aparatului, deoarece pornirea frecventă poate deteriora compresorul.

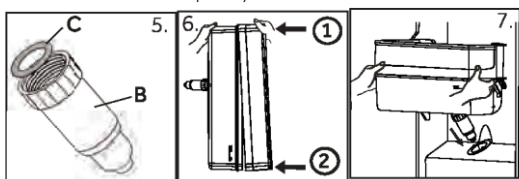
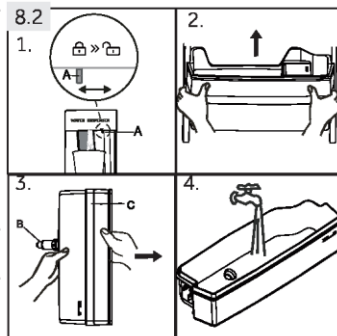
**Decongelarea**

Decongelarea compartimentului frigiderului și congelatorului are loc automat, nefiind necesară intervenția manuală.

**8.2 Curățarea rezervorului de apă (Fig. 8.2) (HSR3918EWP\*)**

1. Glisați încuietorea (A) în poziția  „Blocare”.
2. Scoateți rezervorul de apă din aparat.

3. Scoateți capacul (C) și deșurubați ușor gura de scurgere a dozatorului (B).
4. Curățați rezervorul de apă și robinetul de dozare cu apă caldă și detergent lichid pentru vase. Asigurați-vă că săpunul este complet îndepărtat prin clătire.
5. Montați robinetul dozatorului (B) și aveți grijă ca acesta să fie bine înșurubat pe rezervorul de apă și ca garnitura inelară albă (C) să fie în poziția corespunzătoare.
6. Apăsăți capacul pentru a-l fixa pe una dintre părțile rezervorului de apă și apoi pe cealaltă parte, verificați dacă rezervorul de apă și capacul sunt asamblate complet.
7. Înlocuiți rezervorul din interiorul aparatului. Asigurați-vă că robinetul dozatorului este introdus corect în orificiul de pe ușă.



### 8.3 Înlocuirea becului LED



#### AVERTIZARE!

Nu înlocuiți becul LED de unul singur. Acesta trebuie înlocuit de producător sau de un agent de service autorizat

Becul are un LED ca sursă de lumină a acestuia au un consum redus de energie și o durată mare de viață. În cazul în care există anomalități, contactați serviciul pentru clienți. Consultați secțiunea **SERVICIU PENTRU CLIEŢI**.

Parametrii becurilor: 12 V max. 3 W.

### 8.4 Neutilizare pentru o perioadă lungă de timp

Dacă aparatul nu este utilizat pe o perioadă extinsă de timp și nu veți folosi funcția Vacanță pentru frigider:

- ▶ Scoateți alimentele.
- ▶ Goliți și curățați rezervorul de apă.
- ▶ Deconectați cablul de alimentare.
- ▶ Curățați aparatul conform descrierii de mai sus.
- ▶ Țineți ușile congelatorului deschise pentru a preveni apariția mirosurilor neplăcute în interior.



#### Notificare: Oprire

Opriiți aparatul numai dacă este strict necesar.

### 8.5 Mutarea aparatului

1. Scoateți toate alimentele și deconectați aparatul.
2. Securizați rafturile și restul părților mobile din frigider și congelator cu bandă adezivă.
3. Nu înclinați aparatul la mai mult de 45°, pentru a evita deteriorarea sistemului refrigerant.

**AVERTIZARE!**

- ▶ Nu ridicați aparatul de mână.
- ▶ Nu poziționați niciodată aparatul orizontal pe sol.

Multe probleme care pot apărea pot fi rezolvate de dvs., fără cunoștințe specifice. În cazul unei probleme verificați toate posibilitățile afișate și urmați instrucțiunile de mai jos înainte de a apela la un serviciu post-vânzare. Consultați secțiunea **SERVICIU PENTRU CLIEŢI**.

**AVERTIZARE!**

- ▶ Înainte de întreținere, dezactivați aparatul și deconectați ștecărul de la rețeaua de alimentare.
- ▶ Echipamentele electrice trebuie deparate numai de către specialiști calificați în domeniul electric, deoarece reparațiile necorespunzătoare pot provoca daune indirecte considerabile.
- ▶ Un articol furnizat deteriorat trebuie înlocuit numai de către producător, agentul său de service sau persoane calificate similare, pentru a evita orice pericol.

**9.1 Tabel de depanare**

| Problemă  | Cauză posibilă   | Soluție posibilă   |
|---|--|--|
| Compresorul nu funcționează.  | <ul style="list-style-type: none"> <li>• Ștecărul de alimentare nu este conectat la priza de alimentare.</li> <li>• Aparatul este în ciclul de decongelare.</li> </ul>   | <ul style="list-style-type: none"> <li>• Conectați ștecărul de alimentare.</li> <li>• Acest lucru este normal în cazul unei decongelări automate.</li> </ul>   |
| Aparatul pornește frecvent sau pentru o perioadă prea mare de timp. | <ul style="list-style-type: none"> <li>• Temperatura interioară sau exterioară este prea ridicată.</li> <li>• Aparatul a fost deconectat de la energia electrică pentru o perioadă de timp.</li> <li>• O ușă a aparatului nu este închisă etanș.</li> <li>• Ușa a fost deschisă prea des sau pentru o perioadă prea lungă de timp.</li> <li>• Setarea temperaturii pentru compartimentul congelatorului este prea joasă.</li> <li>• Garnitura ușii este murdară, uzată, crăpată sau așezată incorect.</li> <li>• Circulația necesară a aerului nu este garantată.</li> </ul> | <ul style="list-style-type: none"> <li>• În acest caz, este normal ca aparatul să funcționeze mai mult timp.</li> <li>• În mod normal, durează între 8 și 12 ore ca aparatul să se răcească complet.</li> <li>• Închideți ușa și asigurați-vă că aparatul este amplasat pe o suprafață dreaptă și că nu există vreun aliment sau recipient care să blocheze ușa.</li> <li>• Nu deschideți ușa prea des.</li> <li>• Setati temperatura la un valoare mai ridicată până când este obținută o temperatură satisfăcătoare a frigiderului. Durează 24 de ore ca temperatura frigiderului să se stabilizeze.</li> <li>• Curățați garnitura ușii sau înlocuiți-o apelând serviciul pentru clienți.</li> <li>• Asigurați o ventilație adecvată.</li> </ul> |
| Interiorul frigiderului este murdar și/sau miroase.                 | <ul style="list-style-type: none"> <li>• Interiorul frigiderului necesită curățare.</li> <li>• Sunt depozitate alimente cu miros puternic în frigider.</li> </ul>  | <ul style="list-style-type: none"> <li>• Curățați interiorul frigiderului.</li> <li>• Ambalați bine alimentele.</li> </ul>   |

| Problemă  | Cauză posibilă  | Soluție posibilă   |
|---|---|--|
| În interiorul aparatului nu este suficient de rece.                         | <ul style="list-style-type: none"> <li>• Temperatura setată este prea ridicată.</li> <li>• Au fost depozitate alimente prea calde.</li> <li>• Au fost depozitate prea multe alimente în același timp.</li> <li>• Produsele sunt prea apropiate între ele.</li> <li>• O ușă a aparatului nu este închisă etanș.</li> <li>• Ușa a fost deschisă prea des sau pentru o perioadă prea lungă de timp.</li> </ul> | <ul style="list-style-type: none"> <li>• Resetați temperatura.</li> <li>• Răciți întotdeauna produsele înainte de a le depozita.</li> <li>• Depozitați întotdeauna cantități mici de alimente.</li> <li>• Lăsați un spațiu liber între mai multe alimente pentru a permite trecerea aerului.</li> <li>• Închideți ușa.</li> <li>• Nu deschideți ușa prea des.</li> </ul> |
| În interiorul aparatului este prea rece.                                    | <ul style="list-style-type: none"> <li>• Temperatura setată este prea joasă.</li> <li>• Funcția Super-Cool (răcire rapidă) /Super-Freeze (congelare rapidă) este activată sau este activă de prea mult timp.</li> </ul>   | <ul style="list-style-type: none"> <li>• Resetați temperatura.</li> <li>• Opriți funcția Super-Cool (răcire rapidă) /Super-Freeze (congelare rapidă).</li> </ul>   |
| Se formează umezeală în interiorul compartimentului frigiderului.           | <ul style="list-style-type: none"> <li>• Climatul este prea călduros și prea umed.</li> <li>• O ușă a aparatului nu este închisă etanș.</li> <li>• Ușa a fost deschisă prea des sau pentru o perioadă prea lungă de timp.</li> <li>• Recipientele cu alimente sau lichide sunt lăsate deschise.</li> </ul>  | <ul style="list-style-type: none"> <li>• Creșteți temperatura.</li> <li>• Închideți ușa.</li> <li>• Nu deschideți ușa prea des.</li> <li>• Lăsați alimentele fierbinți să se răcească la temperatura camerei și acoperiți alimentele și lichidele.</li> </ul>  |
| Umezeala se acumulează pe suprafața exterioră a frigiderului sau între uși. | <ul style="list-style-type: none"> <li>• Climatul este prea călduros și prea umed.</li> <li>• Ușa nu este închisă etanș. Aerul rece din aparat și aerul cald din exterior formează condens.</li> </ul>  | <ul style="list-style-type: none"> <li>• Acest lucru este normal într-un climat umed și se va modifica atunci când umiditatea va scădea.</li> <li>• Asigurați-vă că ușa este închisă etanș.</li> </ul>   |
| Gheață solidă în compartimentul congelatorului.                             | <ul style="list-style-type: none"> <li>• Produsele nu au fost ambalate corespunzător.</li> <li>• O ușă/un sertar al aparatului nu este închis etanș.</li> <li>• Ușa a fost deschisă prea des sau pentru o perioadă prea lungă de timp.</li> <li>• Garnitura ușii este murdară, uzată, crăpată sau așezată încorect.</li> <li>• Ceva din interior împiedică închiderea corespunzătoare a ușii.</li> </ul>    | <ul style="list-style-type: none"> <li>• Ambalați întotdeauna bine produsele.</li> <li>• Închideți ușa/sertarul.</li> <li>• Nu deschideți ușa prea des.</li> <li>• Curățați garnitura ușii sau înlocuiți-o cu una nouă.</li> <li>• Repoziționați rafturile, rafturile de ușă sau recipientele interne pentru a permite închiderea ușii.</li> </ul>                       |
| Aparatul emite sunete anormale.   | <ul style="list-style-type: none"> <li>• Aparatul nu se află pe o suprafață dreaptă.</li> <li>• Aparatul atinge unele obiecte din jurul acestuia.</li> </ul>  | <ul style="list-style-type: none"> <li>• Reglați suportul pentru nivelarea aparatului.</li> <li>• Îndepărtați obiectele din jurul aparatului.</li> </ul>   |

| Problemă  | Cauză posibilă   | Soluție posibilă  |
|---|--|---|
| Se aude un sunet similar cu cel al apei care curge.                                     | <ul style="list-style-type: none"> <li>Acest lucru este normal.</li> </ul>   | <ul style="list-style-type: none"> <li>-</li> </ul>   |
| Veți auzi o alarmă cu un bip sonor.   | <ul style="list-style-type: none"> <li>Ușa este deschisă.</li> </ul>   | <ul style="list-style-type: none"> <li>Închideți ușa.</li> </ul>  |
| Veți auzi un zumzet slab. Iluminarea interioară sau sistemul de răcire nu funcționează. | <ul style="list-style-type: none"> <li>Sistemul anti-condens este în funcțiune.</li> <li>Ștecărul de alimentare nu este conectat la priza de alimentare.</li> <li>Sursa de alimentare nu este intactă.</li> <li>Becul cu led este defect.</li> </ul> | <ul style="list-style-type: none"> <li>Acesta împiedică formarea condensului și este normal.</li> <li>Conectați ștecărul de alimentare.</li> <li>Verificați sursa de alimentare cu energie electrică din cameră. Contactați compania locală de electricitate!</li> <li>Contactați serviciul de depanare pentru înlocuirea becului.</li> </ul> |
| Lateralele dulapului și garnitura ușii se încălzesc.                                    | <ul style="list-style-type: none"> <li>Acest lucru este normal.</li> </ul>   | <ul style="list-style-type: none"> <li>-</li> </ul>   |
| Nu curge apă din robinetul dozatorului de apă   | <ul style="list-style-type: none"> <li>Încuietoarea nu este dezactivată.</li> </ul>  | <ul style="list-style-type: none"> <li>Dezactivați încuietoarea.</li> </ul>   |

## 9.2 Pană de curent

În cazul unei pene de curent, alimentele ar trebui să rămână reci timp de aproximativ 5 ore. Urmați aceste

sfaturi în cazul unei întreruperi de curent prelungite, în special pe timpul verii:

- ▶ Deschideți ușa/sertarul de cât mai puține ori posibil.
- ▶ Nu puneți alimente adiționale în aparat în timpul unei pene de curent.
- ▶ În cazul în care știți că se va produce o întrerupere de curent, iar durata acesteia va fi mai mare de 5 ore, faceți cuburi de gheață și puneți-le într-un recipient în partea de sus a compartimentului frigiderului.
- ▶ Imediat după întreruperea energiei electrice este necesară inspectarea produselor.
- ▶ Dat fiind faptul că temperatura din frigider va crește în timpul unei pene de curent sau în cazul alte defecțiuni, perioada de depozitare și calitatea alimentelor comestibile vor fi reduse. Alimentele care se decongelează trebuie consumate sau găsite și recongelate (unde este cazul) cât mai curând după aceea, pentru a preveni apariția riscurilor pentru sănătate.



### Notificare: Funcția de memorare în timpul penei de curent

După restabilirea alimentării cu energie electrică, aparatul continuă să funcționeze cu setările stabilite înaintea penei de curent.

## 10.1 Despachetare



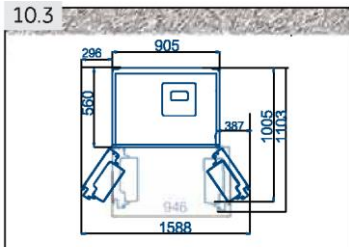
### AVERTIZARE!

- ▶ Aparatul este greu. Manipulați-l întotdeauna cu cel puțin două persoane.
- ▶ Țineți toate materialele de ambalare la distanță de copii și eliminați-le într-un mod ecologic.
- ▶ Scoateți aparatul din ambalaj.
- ▶ Îndepărtați toate materialele de ambalare, inclusiv pelicula transparentă de protecție.

## 10.2 Condiții ambientale

Temperatura camerei trebuie să fie cuprinsă întotdeauna între 16 °C și 43 °C, deoarece poate influența temperatura din interiorul aparatului și consumul de energie al acestuia. Nu instalați aparatul în apropierea altor aparate care emit căldură (cuptoare, frigidere) fără izolare.

### 10.3



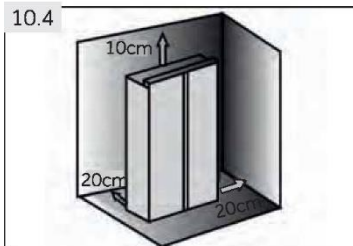
## 10.3 Cerințe legate de spațiu

Spațiul necesar atunci când ușa este deschisă (fig. 10.3):

Lățimea aparatului: 1588mm

Adâncimea aparatului: 1103mm

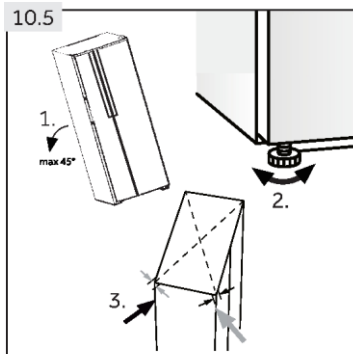
### 10.4



## 10.4 Secțiune transversală ventilare

Pentru a obține o ventilare suficientă a aparatului din motive de siguranță, trebuie respectate informațiile legate de secțiunile transversale ale ventilării necesare (fig. 10.4)

### 10.5



## 10.5 Alinierea aparatului

Aparatul trebuie amplasat pe o suprafață dreaptă și solidă.

1. Înclinați aparatul ușor în spate (fig. 10.5).
2. Reglați picioarele la nivelul dorit.

Asigurați-vă că distanța până la peretele de pe partea balamalei este de cel puțin 5 cm.

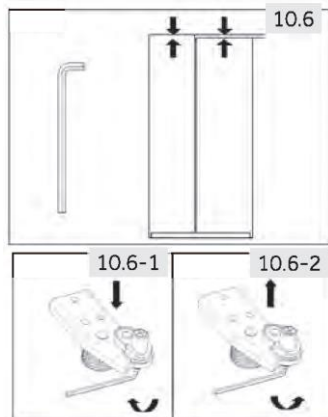
3. Stabilitatea poate fi verificată împingând alternativ pe diagonală. Balansarea ușoară trebuie să fie aceeași în ambele direcții. În caz contrar, cadrul se poate încovoia; drept rezultat pot apărea pierderi pe la garniturile ușii. Înclinarea ușoară spre spate favorizează închiderea ușilor.



### 10.6 Reglarea fină a ușilor

În cazul în care ușile nu sunt încă la același nivel după ajustarea picioarelor ușilor, acest decalaj poate fi remediat prin rotirea arborelui de ridicare al balamalei în colțul din dreapta jos al ușii frigorifice cu o cheie (Fig. 10.6)

- ▶ Rotiți arborele de ridicare în sensul acelor de ceasornic cu o cheie pentru a coborî ușa (Fig. 10.6-1).
- ▶ Rotiți arborele de ridicare în sensul invers acelor de ceasornic cu o cheie pentru a ridica ușa (Fig. 10.6-2).

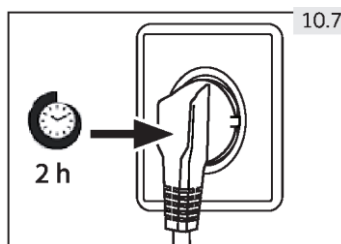


### AVERTIZARE!

Nu reglați excesiv arborele de ridicare al balamalei la o înălțime care ar putea determina ca arborele să iasă din poziția inițială blocată. (Interval de înălțime reglabil: 3 mm)

### 10.7 Timpul de așteptare

Uleiul de ungere fără întreținere este amplasat în capsula compresorului. Uleiul respectiv poate trece prin sistemul cu țevi închis în timpul transportării înclinată. Înainte de conectarea aparatului la rețeaua de alimentare, trebuie să așteptați cel puțin 2 ore (fig. 10.7) pentru ca uleiul să curgă înapoi în capsulă.



### 10.8 Conexiunea electrică

Înainte de fiecare conexiune verificați dacă:

- ▶ sursa de alimentare, priza și siguranța sunt conforme cu plăcuța cu date tehnice.
- ▶ priza de alimentare este legată la împământare și nu este de tip prize multiple sau prelungitor.
- ▶ ștecărul și priza de alimentare sunt strict conforme.

Conectați ștecărul la o priză de la domiciliu instalată corespunzător.



### AVERTIZARE!

Pentru evitarea riscurilor, cablul de alimentare deteriorat trebuie înlocuit prin serviciul pentru clienți (consultați fișa de garanție).

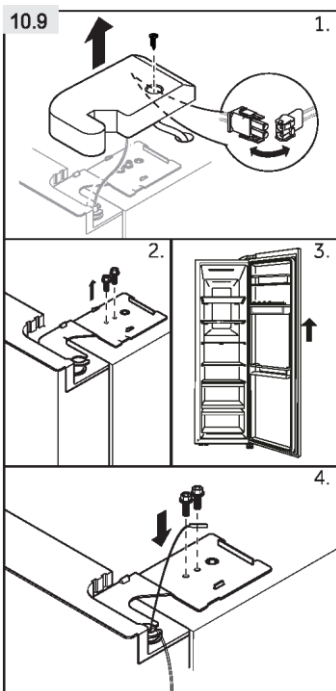
## 10.9 Demontarea și montarea ușilor și instrucțiunile de instalare de mai jos (Fig. 10.9).

În cazul în care trebuie să demontați ușile aparatului, vă rugăm să urmați instrucțiunile de montare și demontare a ușilor prezentate mai jos (Fig.10.9)



### AVERTIZARE!

- ▶ Înainte de efectuarea oricărei operațiuni, dezactivați aparatul și deconectați ștecărul de la rețeaua de alimentare.
- ▶ Aparatul este greu. Manipulați-l întotdeauna cu cel puțin două persoane.
- ▶ Nu înclinați aparatul la mai mult de 45° și nu-l așezați orizontal pe pământ



1. Deșurubați șurubul de pe capacul balamalei și scoateți capacul. Eliberați conectorul cablului.

2. Deșurubați șuruburile care fixează balamaua superioară în poziție și apoi scoateți balamaua.

3. Ridicați ușa compartimentului frigiderului pentru a o demonta.


4. Montați din nou ușa urmând procesul invers. Asigurați-vă că cablul de împământare va fi fixat de șurub.



### Notificare: Ușa frigiderului

În imagini este ilustrată demontarea ușii compartimentului frigiderului. Pentru ușa congelatorului, vă rugăm să folosiți părțile corespunzătoare de pe cealaltă parte


**11.1 Fișa de produs conform reglementării UE nr. 1060/2010**

|   |   |
|---|---|
| Marcă comercială  | Haier   |
| Identificatorul de model  | HSR3918FNP*   |
| Categoria modelului   | Combină frigorifică   |
| Clasa de eficiență energetică   | A+  |
| Consumul anual de energie (kWh/an) <sup>1)</sup>  | 399   |
| Volum depozitare de răcire (l)  | 337   |
| Volum depozitare de congelare (l) ****  | 167   |
| Clasificarea prin stele   |  |
| Temperatura altor compartimente > 14 °C   | Nu se aplică  |
| Sistem fără îngheț  | Da  |
| Timpu necesar creșterii temperaturii (h)  | 5   |
| Capacitatea de congelare (kg/24 h)  | 10  |
| Clasa de climat<br>Acest aparat este proiectat pentru utilizarea la temperaturi ambientale cuprinse între 10 °C și 43 °C. | SN-N-ST-T   |
| Emisii de zgomote acustice aeropurtate (dB(A) re 1pW)   | 38  |
| Tipul constructiv   | De sine stătător  |

pe baza rezultatelor testului standard timp de 24 de ore. Consumul efectiv de energie va depinde de modul de utilizare a aparatului și de amplasarea acestuia.

**11.1.1 Date tehnice suplimentare**

|                          |                 |
|--------------------------|-----------------|
| Tensiune/Frecvență       | 220-240V~/ 50Hz |
| Puterea de intrare (W)   | 200             |
| Siguranța principală (A) | 15              |
| Răcire                   | R600a           |
| Dimensiuni (Î/L/A în mm) | 1775/908/647    |

**11.1.2 Standarde și directive **

Acest produs respectă cerințele tuturor directivelor CE aplicabile, cu standardele corespondente armonizate, care asigură marcajul CE.

Vă recomandăm să apelați la serviciul pentru clienți Haier și să utilizați piese de schimb originale.

Dacă aveți o problemă cu aparatul, consultați mai întâi secțiunea DEPANARE.

Dacă nu găsiți nicio soluție acolo, vă rugăm să contactați

- ▶ distribuitorul local sau
- ▶ secțiunea pentru Service și Asistență la [www.haier.com](http://www.haier.com) unde puteți găsi numerele de telefon și întrebările frecvente, precum și locul în care puteți activa cererea de servicii.

Pentru contactarea Serviciului nostru, asigurați-vă că dețineți următoarele date. Informațiile pot fi găsite pe plăcuța cu date tehnice.

Model \_\_\_\_\_ Nr. serie \_\_\_\_\_

De asemenea, verificați și fișa de garanție furnizată cu produsul, în cazul garanției.

**Haier**



0060524101F



Ръководство за потребителя

Хладилник с фризер

**HSR3918ENP\***

**HSR3918EWP\***

**HSR3918FNP\***

**\*=W,B,L,G,N**

BG

**Haier**

## Благодарим ви, че закупихте продукт Haier.

Моля, прочетете внимателно инструкциите, преди да използвате този уред. Инструкциите съдържат важна информация, която ще ви помогне да получите най-доброто от уреда и да осигурите безопасно и правилно монтиране, употреба и поддръжка.

Съхранявайте това ръководство на удобно място, за да можете по всяко време да правите справка с него за безопасно и правилно използване на уреда.

Ако продавате, подарявате или оставяте уреда, когато се местите, уверете се, че сте предали и това ръководство, за да може новият собственик да се запознае с уреда и предупрежденията за безопасност.

### Легенда

Предупреждение – Важна информация за безопасност



Обща информация и съвети



Информация за околната среда



### Изхвърляне

Помогнете за опазването на околната среда и човешкото здраве. Поставете опаковката в подходящи контейнери, за да бъде рециклирана. Помогнете за рециклирането на отпадъци от електрически и електронни уреди. Уреди, обозначени с този символ, не трябва да бъдат изхвърляни заедно с битовите отпадъци. Върнете продукта в местното съоръжение за рециклиране или се свържете с общинската служба.



## ПРЕДУПРЕЖДЕНИЕ!

### Опасност от нараняване или задушаване!

Хладилните агенти и газовете трябва да се изхвърлят компетентно. Преди да изхвърлите по подходящия начин, се уверете, че тръбите на охладителната верига не са повредени. Изключете уреда от захранването. Отрежете захранващия кабел и го изхвърлете. Извадете тавите и чекмеджетата, както и фиксатора и уплътненията на вратата, за да предотвратите затварянето на деца и домашни любимци в уреда.

Старите уреди все още имат някаква остатъчна стойност. Екологосъобразен метод за изхвърляне ще гарантира, че ценните суровини могат да бъдат възстановени и използвани отново.

Циклопентанът, запалимо вещество, което не е вредно за озоновия слой, се използва като разширител за изолационната пяна.

Като гарантирате правилното изхвърляне на продукта, ще помогнете за предотвратяване на потенциални отрицателни последици за околната среда и човешкото здраве, които в противен случай биха могли да бъдат причинени.

За по-подробна информация относно рециклирането на този продукт, моля, свържете се с вашата община, с местната служба по изхвърляне на битови отпадъци или с магазина, от който сте закупили продукта, за да бъде поет от компетентни лица.

|   |    |
|---|----|
| 1 – Информация за безопасност .....     | 4  |
| 2 – Предназначение .....                | 8  |
| 3 – Описание на продукта .....          | 10 |
| 4 – Панел за управление .....           | 11 |
| 5 – Употреба .....                      | 12 |
| 6 – Съвети за пестене на енергия .....  | 20 |
| 7 – Оборудване .....                    | 21 |
| 8 – Грижа и почистване .....            | 23 |
| 9 – Отстраняване на неизправности ..... | 25 |
| 10 – Монтиране .....                    | 28 |
| 11 – Технически данни .....             | 31 |
| 12 – Обслужване на клиенти .....        | 32 |



Преди да включите уреда за първи път, прочетете следните съвети за безопасност!



### ПРЕДУПРЕЖДЕНИЕ!

#### Преди първоначална употреба

- ▶ Уверете се, че няма транспортни повреди.
- ▶ Отстранете всички опаковки и ги поставете на недостъпно за деца място.
- ▶ Изчакайте поне два часа преди монтирането на уреда, за да сте сигурни, че охладителната верига е напълно ефективна.
- ▶ Уредът трябва да се мести винаги поне от двама души, защото е тежък.

#### Монтиране

- ▶ Уредът трябва да бъде поставен на добре проветриво място. Осигурете пространство от поне 20 см над уреда и 10 см около уреда.
- ▶ Никога не поставяйте уреда на влажно място или на място, където има опасност да бъде пръскан с вода. Почиствайте и изсушавайте пръски вода и петна с мека чиста кърпа.
- ▶ Не поставяйте уреда на пряка слънчева светлина или в близост до източници на топлина (напр. печки, нагреватели).
- ▶ Поставете и нивелирайте уреда в зона, подходяща за неговия размер и употреба.
- ▶ Поддържайте вентилационните отвори на уреда или на вградената конструкция свободни от препятствия.
- ▶ Уверете се, че информацията за електрическата инсталация на табелката с данни съответства на захранването. Ако не е така, свържете се с електротехник.
- ▶ Уредът работи при захранване 220 – 240 VAC/50 Hz. Необичайните флуктуации в захранващото напрежение могат да доведат до неуспешно стартиране на уреда, да повредят управлението на температурата или компресора или да причинят необичаен шум при работа. В такъв случай се монтира автоматичен регулатор.
- ▶ Използвайте отделен заземен контакт за захранването, който е леснодостъпен. Уредът трябва да е заземен.
- ▶ **Само за Обединеното кралство:** Захранващият кабел на уреда е снабден с троен (заземяващ) щепсел, който отговаря на стандартен троен (заземен) контакт. Никога не отрязвайте или демонтирайте третия щифт (заземяване). След поставянето на уреда трябва да има достъп до щепсела.
- ▶ Не използвайте разклонители и удължители.
- ▶ Уверете се, че захранващият кабел не е заклещен под уреда. Не стъпвайте върху захранващия кабел.
- ▶ Не повреждайте охладителната верига.
- ▶ Не разполагайте преносими разклонители или преносими източници на захранване в задната част на уреда.

**ПРЕДУПРЕЖДЕНИЕ!****Ежедневна употреба**

- ▶ Този уред може да се използва от деца над 8-годишна възраст и от лица с намалени физически, сетивни или умствени способности или липса на опит и познания, ако се наблюдават или са инструктирани за използването на уреда по безопасен начин и разбират свързаните с това опасности.
- ▶ Деца на възраст от 3 до 8 години могат да зареждат и разтоварват хладилни уреди, но не могат да ги почистват и монтират.
- ▶ Деца под 3-годишна възраст трябва да се пазят далеч от уреда, с изключение на случаите, когато са под постоянен надзор.
- ▶ Почистването и потребителската поддръжка на уреда не бива да се извършва от деца без надзор.
- ▶ Децата не бива да използват уреда за игра.
- ▶ Уредът трябва да е разположен така, че щепселът да е достъпен.
- ▶ Ако в близост до уреда изтича охладителен газ или друг запалим газ, изключете вентила на изтичащия газ, отворете вратите и прозорците и не включвайте и не изключвайте захранващите кабели на уреда или на друг уред.
- ▶ Обърнете внимание, че уредът е настроен за работа в определен диапазон на температурата на околната среда между 10 и 38°C. Уредът може да не работи правилно, ако е оставен за дълъг период при температура над или под посочения диапазон.
- ▶ Не поставяйте нестабилни предмети (тежки предмети, съдове, пълни с вода) върху уреда, за да избегнете нараняване, причинено от падане или токов удар при контакт с вода.
- ▶ Не дърпайте рафтовете на вратата. Вратата може да бъде издърпана под наклон, поставката за бутилка може да бъде изтеглена или уредът може да се събори.
- ▶ Отваряйте и затваряйте вратите само посредством дръжките. Пролуката между вратите и между вратите и шкафа е много тясна. Не поставяйте ръцете си в тези зони, за да избегнете прищипване на пръстите. Отваряйте или затваряйте вратите само когато в обсега на движението на няма деца.
- ▶ Не съхранявайте и не използвайте запалими, експлозивни или корозивни материали в уреда или в близост до него.
- ▶ Не съхранявайте лекарства, бактерии или химически агенти в уреда. Това е домакински уред. Не се препоръчва да съхранявате материали, които изискват строги температури.
- ▶ Никога във фризера не съхранявайте течности в бутилки или консерви (освен високоалкохолни спиртни напитки), особено газирани напитки, тъй като те ще се спукат по време на замразяването.

**ПРЕДУПРЕЖДЕНИЕ!****Ежедневна употреба**

- ▶ Проверете състоянието на храната, ако във фризера е настъпило затопляне.
- ▶ Не задавайте излишно ниска температура в отделението на хладилника. При високи настройки могат да възникнат минусови температури. Внимание: Бутилките могат да се пръснат.
- ▶ Не докосвайте замразени продукти с мокри ръце (носете ръкавици). В никакъв случай не яжте ледени близалки веднага след изваждането им от фризерната част. Съществува риск от замръзване или образуване на мехури. ПЪРВА ПОМОЩ: незабавно поставете под течаща студена вода. Не дърпайте!
- ▶ Не докосвайте вътрешната повърхност на отделението за съхранение на фризера, когато уредът работи, особено с мокри ръце, тъй като ръцете ви могат да замръзнат върху повърхността.
- ▶ Изключете уреда от електрическата мрежа в случай на прекъсване на захранването или преди почистване. Изчакайте поне 5 минути, преди да включите отново уреда, тъй като честото стартиране може да повреди компресора.
- ▶ Не използвайте електрически уреди в отделенията за съхранение на храна на уреда, освен ако не са от вид, препоръчан от производителя.
- ▶ Използвайте само питейна вода при моделите с диспенсър за вода.

**Поддръжка / почистване**

- ▶ Ако деца извършват почистване и поддръжка, се уверете, че са под надзор.
- ▶ Изключете уреда от електрическото захранване, преди да предприемете каквато и да е рутинна поддръжка. Изчакайте поне 5 минути, преди да включите отново уреда, тъй като честото стартиране може да повреди компресора.
- ▶ При изключване на уреда хващайте щепсела, а не кабела.
- ▶ Не стържете скреж и лед с остри предмети. Не използвайте спрейове, електрически нагреватели като сешоари, парочистачки или други източници на топлина, за да се избегне повреда на пластмасовите части.
- ▶ Не използвайте механични устройства или други средства за ускоряване процеса на размразяване, различни от препоръчаните от производителя.
- ▶ Не почиствайте уреда с твърди четки, телени четки, прахообразни препарати, бензин, амилацетат, ацетон и подобни органични разтвори, киселинни или алкални разтвори. Моля, почиствайте със специален препарат за хладилник, за да избегнете повреди.
- ▶ В краен случай използвайте топла вода и разтвор на сода за хляб – около супена лъжица сода за хляб на литър вода. Изплакнете обилно с вода и подсушете. Не използвайте почистващи прахове или други абразивни почистващи препарати. Не мийте разглобяващите се части в съдомиялна машина.

**ПРЕДУПРЕЖДЕНИЕ!****Поддръжка / почистване**

- ▶ Ако захранващият кабел е повреден, трябва да бъде заменен от производителя, неговия обслужващ агент или лице с подобна квалификация, за да се избегне евентуална опасност.
- ▶ Не се опитвайте сами да ремонтирате, разглобявате или модифицирате уреда. При необходимост от ремонт се свържете с нашия отдел за обслужване на клиенти.
- ▶ Ако осветителните лампи са повредени, трябва да бъдат заменени от производителя, неговия обслужващ агент или лице с подобна квалификация, за да се избегне евентуална опасност.
- ▶ Отстранявайте прахта по гърба на уреда поне веднъж годишно, за да се избегне пожар, както и повишен разход на енергия.
- ▶ Не пръскайте и не плискайте уреда по време на почистване.
- ▶ Не използвайте водна струя или пара за почистване на уреда.
- ▶ Не почиствайте студените стъклени рафтове с гореща вода. Рязката температурна разлика може да доведе до спукване на стъклото.
- ▶ Ако уредът няма да се използва за продължителен период от време, оставете го отворен, за да предотвратите натрупването на неприятни миризми отвътре.

**Информация за хладилен газ****ПРЕДУПРЕЖДЕНИЕ!**

Уредът съдържа запалим хладилен агент ISOBUTANE (R600a). Уверете се, че охладителната верига не е била повредена по време на транспортиране или монтаж. Течът на хладилен агент може да причини нараняване на очите или възпламеняване. При възникване на повреда се пазете от открити източниците на огън, проветрете добре помещението, не включвайте и не изключвайте захранващите кабели на уреда или на друг уред. Информирайте центъра за обслужване на клиенти.

В случай че хладилен агент попадне в очите, изплакнете веднага с течаща вода и незабавно се свържете с офталмолог.

**ПРЕДУПРЕЖДЕНИЕ:** Охладителната система е под високо налягане. Не се опитвайте да я манипулирате. Поради използването на запалими хладилни агенти, моля, монтирайте, манипулирайте и обслужвайте уреда стриктно в съответствие с инструкциите и се свържете с професионален представител или с нашия отдел за следпродажбено обслужване, за да изхвърлите уреда.

### 2.1 Предвидена употреба


Този уред е предназначен да бъде използван за битови нужди и подобни приложения като

- кухненски боксове за персонала в магазини, офиси и други работни среди;
  - къщи за гости, хотели, мотели и други подобни обекти;
  - други заведения за настаняване и изхранване;
  - кетъринг и подобни приложения за нетърговски цели.
- Ако уредът не се използва продължително време и ще използвате само функцията за „Holiday“ или функцията за изключване на хладилника/фризера:
- Извадете храната.
  - Изключете захранващия кабел.
  - Изпразнете и почистете резервоара за вода.
  - Почистете уреда, както е описано по-горе.
  - Оставете вратите отворени, за да се предотврати развитието на неприятни миризми вътре.
- За да осигурите безопасното запазване на храните или виното, моля, спазвайте тези инструкции за употреба.
- За да се избегне замърсяване на храната (не важи за витрината за вино), моля, спазвайте следните указания:
- Отварянето на вратата за дълги периоди може да доведе до значително повишаване на температурата в отделенията на уреда.
  - Почиствайте редовно повърхностите, които могат да влязат в контакт с храна, и достъпните дренажни системи.
  - Почиствайте резервоарите за вода, ако не са били използвани в продължение на 48 часа; промивайте водната система, свързана към водопровод, ако водата не е източена в продължение на 5 дни.
  - Сурово месо и риба се съхраняват в подходящи съдове в хладилника/фризера, така че да не влизат в контакт с други храни или да не капят върху други храни. За да се осигури безопасното съхраняване на храните, полуфабрикатите и суровото месо/риба се съхраняват отделно.
  - Отделенията, отбелязани с две звездички, са подходящи за съхранение на предварително замразени храни, съхранение или правене на сладолед и правене на кубчета лед.
  - Отделенията с една, две и три звездички не са подходящи за замразяване на пресни храни.
  - В случай че хладилният уред се оставя празен за дълги периоди, го изключете, размразете, почистете, подсушете и оставете вратата отворена, за да предотвратите появата на плесен в уреда.
- Подробностите за най-подходящата част в уреда, където се съхраняват определени видове храни спрямо разпределението

на температурата в различните отделения на уреда, са в частта от другото ръководство.

### Изхвърляне



Символът  върху продукта или върху опаковката му показва, че този продукт не може да се третира като битов отпадък. Затова той трябва да бъде предаден в съответния пункт за събиране на електрическо и електронно оборудване за рециклиране. Като гарантирате правилното изхвърляне на продукта, ще помогнете за предотвратяване на потенциални отрицателни последици за околната среда и човешкото здраве, които в противен случай биха могли да бъдат причинени от неправилното изхвърляне на продукта. За по-подробна информация относно рециклирането на този продукт, моля, свържете се с вашата община, с местната служба по изхвърляне на битови отпадъци или с магазина, от който сте закупили продукта.

Тъй като се използват запалими изолационни газове, моля, свържете се с професионален представител или с нашия отдел за следпродажбено обслужване, за да изхвърлите уреда.

### ПРЕДУПРЕЖДЕНИЕ!

#### Опасност от нараняване или задушаване!

Хладилните агенти и газовете трябва да се изхвърлят компетентно. Преди да изхвърлите по подходящия начин, се уверете, че тръбите на верига не са повредени. Изключете уреда от захранването. Отрежете захранващия кабел и го изхвърлете. Извадете тавите и чекмеджетата, както и фиксатора и уплътненията на вратата, за да предотвратите затварянето на деца и домашни любимци в уреда.

Не се разрешават промени или модификации на устройството. Използването не по предназначение може да доведе до опасности и загуба на гаранционно покритие.

## 2.2 Аксесоари

Проверете аксесоарите и книжните материали в съответствие с този списък (фиг. 2.2):

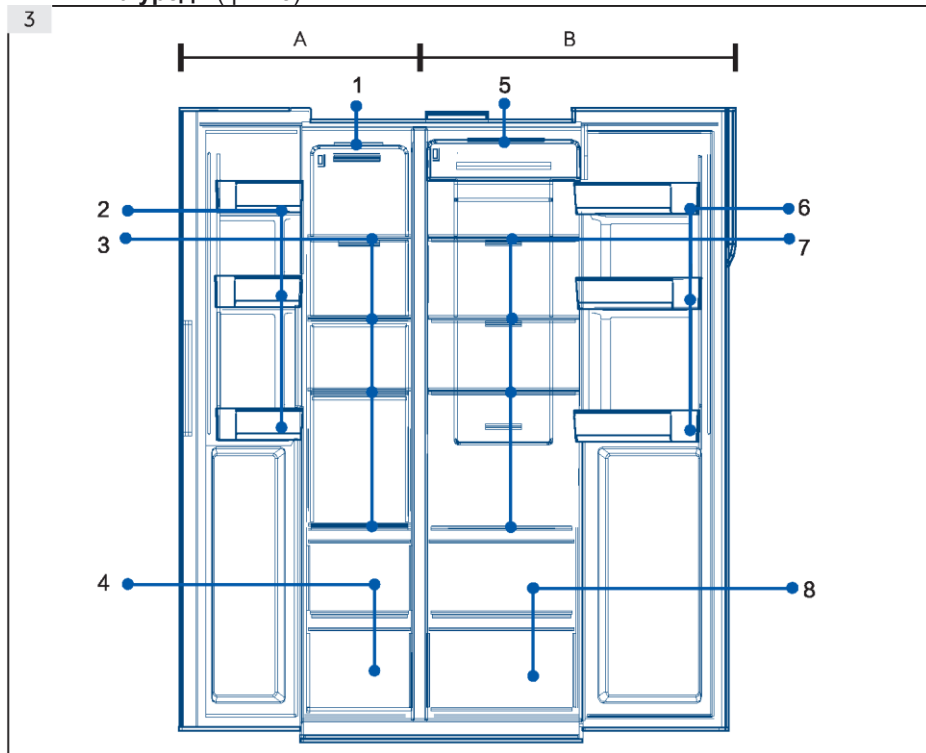


2.2

### **i** Предупреждение

Поради технически промени и наличие на различни модели, някои от илюстрациите в това ръководство може да се различават от вашия модел.

**Снимки на уреди (фиг. 3)**

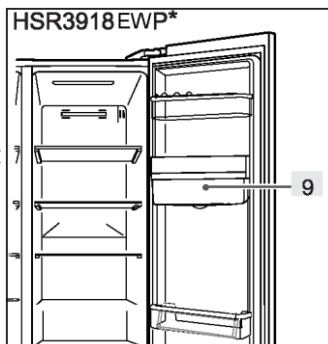


#### **A: Фризерна част**

- 1 Горна лампа
- 2 Рафт за врата/държач за бутилки
- 3 Рафтове за фризер
- 4 Фризерен шкаф

#### **B: Хладилна част**

- 5 Горна лампа
- 6 Рафт за врата/държач за бутилки
- 7 Рафтове за хладилник
- 8 Шкаф за хладилник
- 9 Резервоар за вода

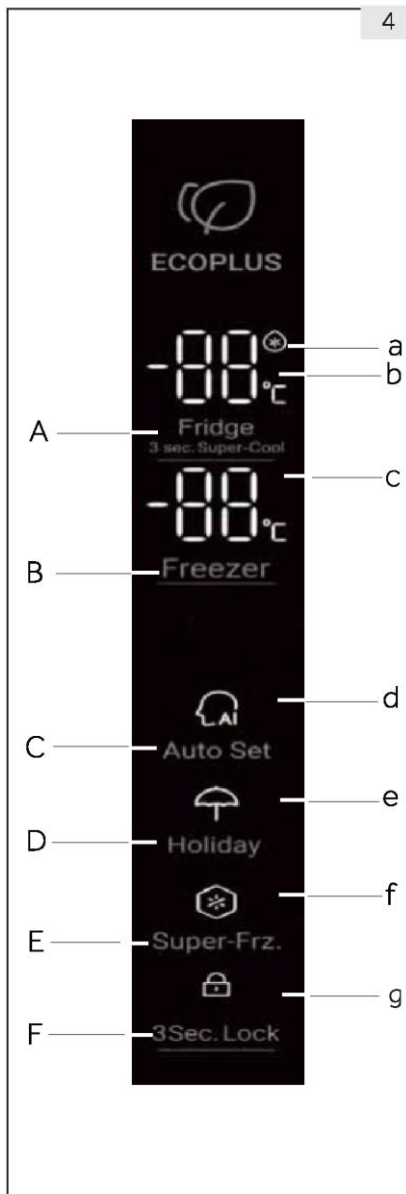


**Панел за управление** (фиг. 4)**Ключове:**

- A Селектор за хладилник
- B Селектор за фризер
- C Режим за автоматична настройка
- D Ваканционен режим „Holiday“
- E Режим „Super-Freeze“
- F Селектор за заключване на панела

**Показатели:**

- a Режим „Super-Cool“
- b Температура на хладилника
- c Температура на фризера
- d Режим за автоматична настройка
- e Ваканционен режим „Holiday“
- f Режим „Super-Freeze“
- g Заключване на панела





### 5.1 Първоначална употреба

Когато хладилникът се свърже за първи път със захранване, дисплеят е включен. Температурата по подразбиране за хладилната част е 4°C, а за фризерната част е -18°C. Интелигентният светлинен индикатор е включен.

### 5.2 Заклучване/отключване на панела

Автоматично заключване:

Когато вратата на хладилника и вратата на фризера са затворени и няма активност на бутоните в продължение на 30 сек, светлинният индикатор на панела автоматично ще се изключи, а панелът ще се заключи.

Ръчно заключване:

Когато панелът е отключен, натиснете бутона за заключване за 3 секунди – зумерът прозвучава, индикаторът за заключване се включва и след това дисплеят се заключва.

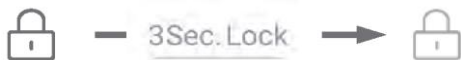


Натиснете за 3 сек.

Индикаторът е включен, панелът е заключен

Отключване:

Когато панелът е изключен, отворете вратата на хладилника или докоснете произволен бутон на контролния панел – панелът ще светне. По това време панелът е заключен. Натиснете бутона за заключване за 3 секунди, зумерът ще прозвучи, индикаторът за заключване ще се изключи и панелът ще се отключи.



Панелът е включен, отворете вратата или натиснете произволен бутон

Задръжте за 3 сек

Индикаторът е изключен, панелът е отключен

### 5.3 Регулиране на температурата на хладилника

- Когато контролният панел е отключен, натиснете „Селектор за хладилник“ и зумерът ще прозвучи, а индикаторът за температура на хладилника ще замига. Сега температурата на хладилника може да бъде настроена.
- След това при всяко натискане на селектора на хладилника зумерът прозвучава и настройката се понижава с 1. Последователността на превключване е в непрекъснат цикъл – „4°C / 3°C / 2°C / 1°C / 9°C / 8°C / 7°C / 6°C / 5°C / 4°C“



Натиснете веднъж

Мига в състояние на настройка

Натиснете веднъж

Настройката е готова



#### Предупреждение

► Уредът е предварително настроен на препоръчителната температура от 4°C (хладилник) и -18°C (фризер). При нормални условия на околната среда не е необходимо да задавате температура.

#### 5.4 Регулиране на температурата на фризера

1. Когато контролният панел е отключен, натиснете „Селектор за фризер“ и зумерът ще прозвучи, а индикаторът за температура на фризера ще замига. Сега температурата на фризера може да бъде настроена.
2. След това с всяко натискане на селектора на фризера зумерът прозвучава и температурата се понижава с 1. Последователността на превключване е в непрекъснат цикъл – „-18°C / -19°C / -20°C / -21°C / -22°C / -23°C / -24°C / -14°C / -15°C / -16°C / -17°C / -18°C“.



#### Предупреждение

- Температурата е зададена. Ако в продължение на 5 секунди не бъде натиснат бутон, температурата ще бъде автоматично потвърдена и запаметена.

#### 5.5 Автоматична настройка

1. Когато контролният панел е отключен, натиснете „Селектор за автоматично зададен режим“ и зумерът ще прозвучи, а индикаторът за автоматично зададен режим ще замига. Режимът за автоматична настройка се стартира.
2. Когато индикаторът за автоматично зададен режим е включен, натиснете селектора за автоматично задаване на режим и зумерът ще прозвучи, а индикаторът за автоматично зададен режим се изключва и режимът за автоматична настройка се затваря.



#### Предупреждение

- Когато режимът за автоматична настройка е включен, температурата на хладилника и температурата на фризера не могат да се избират. Когато селекторът за хладилник или селекторът на фризера са натиснати, индикаторът за автоматична настройка започва да мига, издавайки звуци, за да напомни, че операцията не е разрешена. При режим за автоматична настройка, ако се избере функцията за бързо охлаждане, бързо замразяване или „Holiday“ режим, автоматично настроените модели и автоматично зададената настройка се затварят автоматично.

### 5.6 Ваканционен режим „Holiday“

„Holiday“ режим е предназначен за ситуации, при които хладилникът няма да се използва продължително време. Когато „Holiday“ режим е включен, температурата на фризера може да бъде избрана, докато температурата на хладилника се настройва автоматично на 17°C, което предотвратява миризмата, дължаща се на висока температура в хладилното отделение, и също така спестява консумация на енергия.

1. Когато контролният панел е отключен, натиснете „Селектор за Holiday режим“ и зумерът ще прозвучи, а индикаторът на функцията „Holiday“ ще се включи. Стартира се „Holiday“ режим.
2. Когато индикаторът за „Holiday“ режим е включен, натиснете селектора на функцията „Holiday“ – зумерът ще прозвучи, а индикаторът за „Holiday“ режим се изключва и „Holiday“ режим се затваря.



#### Предупреждение

- Когато „Holiday“ режим е включен, температурата на хладилника не може да бъде избрана. Когато селекторът на хладилника е натиснат, индикаторът за „Holiday“ режим започва да мига, издавайки звуци, за да напомни, че операцията не е разрешена. Преди да изберете „Holiday“ режим, моля, изпразнете хладилната част, за да избегнете развалянето на храната. При включен „Holiday“ режим функциите за интелигентен режим и за бързо охлаждане не могат да бъдат избрани едновременно. Ако е избран интелигентен режим или бързо охлаждане, индикаторът за „Holiday“ режим се изключва и функцията автоматично се затваря.

### 5.7 Режим за супер охлаждане „Super-Cool“

1. Когато контролният панел е отключен, натиснете „Селектор за хладилник“ за 3 секунди, зумерът ще прозвучи, а индикаторът за „super cool“ ще светне. Стартира се функция „Super-Cool“.
2. Когато индикаторът за „super-cool“ е включен, натиснете селектора за хладилник за 3 сек, зумерът ще прозвучи, а индикаторът за „super-cool“ се изключва. Режимът „super cool“ се затваря
3. Когато режимът „super-cool“ е включен, хладилникът автоматично ще го изключи, след като режимът достигне зададеното състояние. Ако искате да излезете ръчно, можете да натиснете селектора на хладилника за 3 сек, за да изключите режима „super-cool“.



#### Предупреждение

- При включена функция за „super-cool“, режимът „Fuzzy“ и „Holiday“ режим не могат да бъдат избрани едновременно. Ако е избран режим „Fuzzy“ или „Holiday“ режим, индикаторът за „super-cool“ се изключва и функцията „super-cool“ автоматично се затваря.

### 5.8 Режим за супер замразяване „Super-Freeze“

1. Когато контролният панел е отключен, натиснете селектора „Super-freeze“ – зумерът прозвучава, а индикаторът „Super-freeze“ светва. Стартира се режимът за „Super-freeze“.
2. При включен индикатор „Super-freeze“, натиснете селектора „Super-freeze“ – зумерът прозвучава, а индикаторът „Super-freeze“ се изключва. Режимът на „Super-freeze“ се затваря.
3. Когато режимът „Super-freeze“ е включен, хладилникът автоматично ще го изключи, след като режимът достигне зададеното състояние. Ако искате да излезете ръчно, можете да натиснете селектора „Super-freeze“ за 3 сек, за да изключите режима.



индикаторът  
е изключен



Super-Frz.

Натиснете веднъж



индикаторът  
е включен



Super-Frz.

Натиснете веднъж



индикаторът  
е изключен



#### Предупреждение

- ▶ Режимът Super-freeze е предназначен да поддържа хранителните вещества на храната във фризерната част, а храната се замразява в най-кратки срокове. Ако едновременно трябва да се замрази голямо количество храна, препоръчително е да зададете режим „Super-freeze“ 24 часа предварително, за да може температурата във фризерното отделение да се понижи преди поставянето на храната. При тези условия скоростта на замръзване във фризерното отделение се увеличава и храната може бързо да се замрази, като по този начин ефективно съхранява хранителните си вещества и улеснява съхранението.
- Ако искате да изберете интелигентна функция в състояние „Super-Freeze“, индикаторът „Super-Freeze“ се изключва и режимът „Super-Freeze“ се затваря автоматично.

### 5.9 Аларма за отворена врата

Всеки път, когато вратата е отворена за прекалено дълго време или не е затворена, хладилникът издава аларма, за да ви напомни да затворите вратата своевременно.

### 5.10 Икономия на енергия на контролния панел

При неактивност на контролния панел за 30 секунди, панелът автоматично ще се изключи и ще влезе в заключено състояние, което може да спести енергия. Когато натиснете бутона за заключване или отворите някоя врата, контролният панел ще светне.

### 5.11 Функция за запаметяване при прекъсване на захранването

Когато хладилникът е изключен, моментното работно състояние при прекъсването на захранването се запаметява. След като захранването се поднови, хладилникът продължава да работи в съответствие със смяната и функционалното състояние, зададени преди спиране на тока.

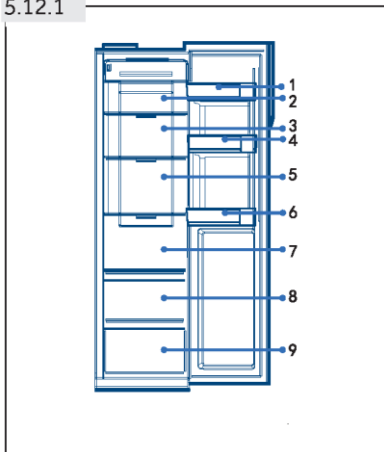
Внимание: Функцията за заключване не се запаметява. След като хладилникът отново се включи, контролният панел започва самопроверка, индикаторът за заключване изгасва и хладилникът се отключва.

## 5.12 Съвети за съхранение на прясна храна

### 5.12.1 Съхранение в хладилната част

- ▶ Поддържайте температурата на хладилника си под 5°C.
- ▶ Горещата храна трябва да изстине до стайна температура, преди да бъде съхранявана в уреда.
- ▶ Съхраняваната в хладилника храна трябва да бъде измита и подсушена.
- ▶ Храната, която ще се съхранява, трябва да бъде затворена правилно, за да се избегнат промени на аромата или вкуса.
- ▶ Не съхранявайте прекомерни количества храна. Оставете пространства между храните, за да може около тях да преминава студен въздух, което осигурява по-добро и равномерно охлаждане.
- ▶ Храни, консумирани ежедневно, трябва да се съхраняват в предната част на рафта.
- ▶ Оставете разстояние между храните и вътрешните стени, за да може да преминава въздух. По-специално избягвайте да допирате храните, които съхранявате, до задната стена, тъй като могат да залепнат за стената. Избягвайте директен контакт на храната (особено мазна или киселинна храна) с вътрешната облицовка, тъй като е възможно тя да бъде разядена от мазнина или киселина. Когато откриете мазна/киселинна мръсотия, я почиствайте веднага.
- ▶ Размразявайте замразените храни в отделението за съхранение на хладилника. По този начин можете да използвате замразените храни, за да намалите температурата в отделението и да спестите енергия.
- ▶ Процесът на стареене на плодове и зеленчуци като тиквички, пъпеши, папая, банан, ананас и др. може да се ускори в хладилника. Следователно не е препоръчително да ги съхранявате в хладилника. Узряването на много зелени плодове обаче може да бъде стимулирано за определен период. Лук, чесън, джинджифил и други кореноплодни зеленчуци трябва да се съхраняват при стайна температура.
- ▶ Неприятните миризми в хладилника сигнализират, че нещо се е разляло и е необходимо почистване. Вижте ГРИЖА И ПОЧИСТВАНЕ.
- ▶ Различните храни трябва да се поставят в различни зони според техните свойства (фиг. 5.12.1):

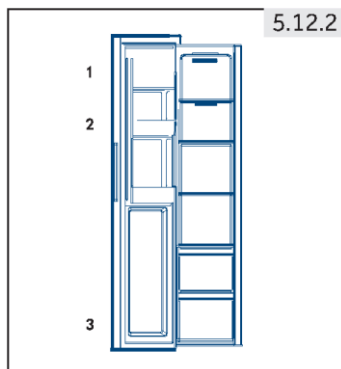
5.12.1



- 1 Масло, сирене и др.
- 2 Мариновани храни, консервирани храни и др.
- 3 Мариновани храни, консервирани храни и др.
- 4 Консерви, консервирани храни, подправки и др.
- 5 Месни продукти, полуфабрикати и др.
- 6 Напитки и бутилирани храни.
- 7 Паста, консервирани храни, мляко, тофу, млечни продукти и др.
- 8 Плодове, зеленчуци, салата и др.
- 9 Сготвено месо, колбаси и др.

### 5.12.2 Съхранение във фризерната част

- ▶ Поддържайте температурата на фризера на  $-18^{\circ}\text{C}$ .
- ▶ 24 часа преди замразяване включете функцията „Super-Freeze“; за малки количества храна са достатъчни 4–6 часа.
- ▶ Горещата храна трябва да изстине до стайна температура, преди да бъде съхранявана във фризера.
- ▶ Храна, нарязана на малки порции, ще замръзне по-бързо и ще бъде по-лесна за размразяване и готвене. Препоръчителното тегло за всяка порция е под 2,5 кг.
- ▶ Най-добре е храната да бъде опакована, преди да я поставите във фризера. Външната страна на опаковката трябва да е суха, за да се избегне слепване на торбички. Опаковъчните материали трябва да са без мирис, херметически затворени, да не съдържат отрови и токсини.
- ▶ За да се избегне изтичането на сроковете за съхранение, моля, обърнете внимание на датата на замразяване, срока и името на храната върху опаковката според сроковете за съхранение на различни храни.
- ▶ **ПРЕДУПРЕЖДЕНИЕ!** Киселина, алкали, сол и др. могат да разядат вътрешната повърхност на фризера. Не поставяйте храна с тези вещества (напр. морски риби) директно върху вътрешната повърхност. Солената вода във фризера трябва да се почисти незабавно.
- ▶ Не надхвърляйте времето за съхранение на храните, препоръчвано от производителите. Изваждайте само необходимото количество храна от фризера.
- ▶ Различните храни трябва да се поставят в различни зони според техните свойства (фиг. 5.12.2):



- 1 По-малко тежки предмети, като сладолед, зеленчуци, хляб и др.
- 2 Нискоалкохолни напитки и временно съхранение на спиртни напитки с високо съдържание на алкохол, малки парчета храна като пица или билки.
- 3 Големи/по-тежки порции храна като парчета месо за печене

**i** Предупреждение: Съхранение

- ▶ Моля, оставайте разстоянието повече от 10 мм между поставената храна и сензора, за да осигурите охлаждащ ефект.
- ▶ Моля, запазете най-ниското чекмедже, когато уредът работи, за да се осигури охлаждащ ефект.
- ▶ Храната с лед (като сладолед и др.) трябва да се съхранява във фризерното отделение, а не върху държача за бутилки, тъй като храната може да се размрази от температурните промени, причинени от отварянето и затварянето на вратата.
- ▶ Консумирайте размразените храни бързо. Размразената храна не може да бъде замразявана повторно, освен ако преди това не бъде сготвена, в противен случай ще загуби качествата си.
- ▶ Не нареждайте прекомерни количества прясна храна във фризера. Вижте капацитета на замразяване на фризера – вижте ТЕХНИЧЕСКИ ДАННИ или данните на типовата табелка.
- ▶ Храна може да бъде съхранявана във фризера при температура от поне -18°C за срок от 2 до 12 месеца в зависимост от характеристиките ѝ (напр. месо: 3–12 месеца, зеленчуци: 6–12 месеца)
- ▶ Когато замразявате пресни храни, избягвайте да ги допирате до вече замразени храни. Риск от размразяване!
- ▶ Размразявайте замразените храни в хладилника. По този начин можете да използвате замразените храни, за да намалите температурата в отделениято и да спестите енергия.

**5.12.3 Когато съхранявате търговски замразени продукти, моля, следвайте тези указания:**

- ▶ Винаги следвайте указанията на производителя за допустимата продължителност на съхранение на храната. Не пренебрегвайте тези указания!
- ▶ Опитайте се да съхранявате храната след покупката ѝ възможно най-кратко, за да се запази нейното качество.
- ▶ Купувайте замразени храни, които са били съхранявани при температура от -18°C или по-ниска.
- ▶ Избягвайте да купувате храна, която има лед или замръзване върху опаковката – това показва, че продуктите може да са били частично размразени и отново замразени. Повишаването на температурата се отразява на качеството на храната.

### 5.13 Диспенсър за вода (HSR3918EWP\*)

С диспенсъра за вода може да се налива студена питейна вода.

Резервоарът за вода трябва да се почисти преди първата употреба (вижте ГРИЖА И ПОЧИСТВАНЕ).

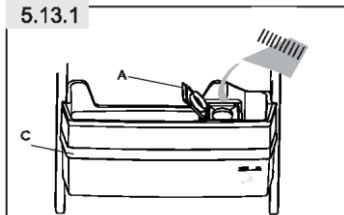
#### 5.13.1 Пълнене на резервоара за вода



### ПРЕДУПРЕЖДЕНИЕ!

Използвайте само питейна вода.

#### 5.13.1



1. Уверете се, че резервоарът за вода е поставен правилно (вижте ОБОРУДВАНЕ)
2. Отворете капачката (A) и налейте прясна питейна вода в резервоара (Фиг. 5.13.1).
3. Пълнете вода само до маркировката (2,5 л), тъй като може да прелее, когато вратата се отваря и затваря.
4. Затворете плътно капачката (A).



### Предупреждение: Диспенсър за вода

- ▶ Преди презареждане изхвърляйте остатъчната вода и почиствайте резервоара.
- ▶ Когато продължително време не се нуждаете от вода, моля, изпразнете резервоара за вода и го поставете почистен.
- ▶ Капакът (C) на резервоара за вода (Фиг. 5.13.1) се използва допълнително за пестене на енергия. Ако не искате да използвате диспенсъра за вода за дълъг период, все пак поставете капака поради по-добра изолация и спестяване на енергия.

#### 5.13.2 Наливане на вода от диспенсъра

1. Уверете се, че ключалката (A) е преместена към „Отключване“ (фиг. 5.13.2).

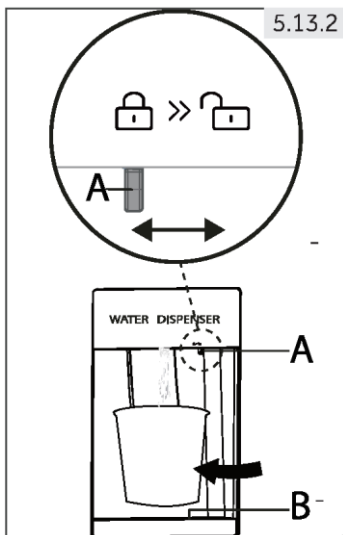
2. Поставете чаша под изхода за вода.

3. Натиснете леко с чашата към лоста за вода на диспенсъра.

Уверете се, че чашата е на една линия с диспенсъра, за да предотвратите изпръскването на вода.

4. Водата трябва да се отстранява навреме от тавата (B), тъй като може да прелее при отварянето и затварянето на вратата.

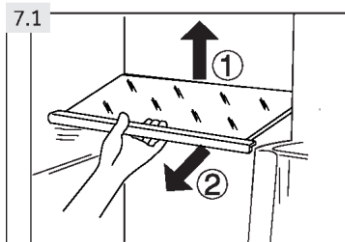
5. Плъзнете ключалката (A) до положение „Заклучване“.





**Съвети за пестене на енергия**

- ▶ Уверете се, че уредът е вентилиран правилно (вижте МОНТАЖ).
- ▶ Не поставяйте уреда на пряка слънчева светлина или в близост до източници на топлина (напр. печки, нагреватели).
- ▶ Избягвайте ненужно ниска температура в уреда. Консумацията на енергия се увеличава, колкото по-ниска е температурата в уреда.
- ▶ Функции като „Super-Cool“ или „Super-Freeze“ консумират повече енергия.
- ▶ Оставете топлата храна да се охлади, преди да я поставите в уреда.
- ▶ Отваряйте вратата на уреда възможно най-малко и за кратко.
- ▶ Не препълвайте уреда, за да не се нарушава циркулирането на въздушния поток.
- ▶ Препоръчително е в опаковката на храните да няма въздух.
- ▶ Поддържайте уплътненията на вратите чисти, така че вратата винаги да се затваря правилно.
- ▶ Размразявайте замразените храни в отделението за съхранение на хладилника.



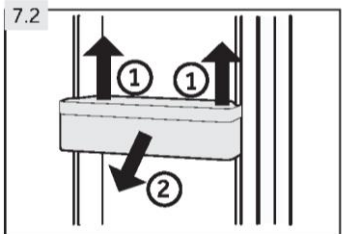
### 7.1 Регулируеми рафтове

Височината на рафтовете може да се регулира според вашите нужди за съхранение.

1. За да преместите рафт, първо го извадете, като повдигнете задния му ръб (1) и го издърпате навън (2) (фиг. 7.1).
2. За да го поставите отново, сложете го на държателите от двете страни и го избутайте в най-задно положение, докато задната част на рафта се фиксира в отворите отстрани.

### **i** Предупреждение: Рафтове

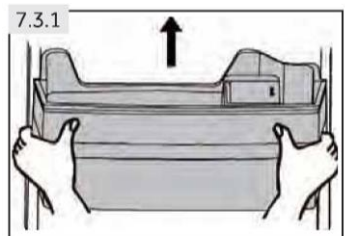
Уверете се, че всички краища на рафта са подравнени.



### 7.2 Подвижни рафтове за врата/държач за бутилки

Рафтовете/държачът за бутилки на вратата могат да се свалят за почистване:

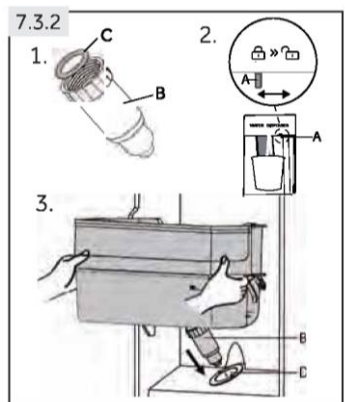
1. Хванете с ръцете рафта/държача от двете страни и го повдигнете нагоре (1) (фиг. 7.2).
2. Издърпайте рафта за врата/държача за бутилки (2).
3. За да поставите рафта за врата/държача за бутилки на вратата, горните стъпки се извършват в обратен ред.




### 7.3 Резервоар за вода (HSR3918EWP\*)

#### 7.3.1 Сваляне на резервоара за вода

Резервоарът за вода може да се вади и да се поставя отново, когато искате да го почиствате, по същия начин като рафтовете на вратата (фиг. 7.3.1).



#### 7.3.2 Поставяне на резервоар за вода

1. Уверете се, че накрайникът на диспенсера (B) е плътно завинтен към резервоара за вода и че белият О-пръстен (C) е в положение (фиг. 7.3.2-1).
2. Плъзнете ключалката (A) до позиция  „Заклучване“ (фиг. 7.3.2-2).
3. Поставете резервоара за вода в положение, в което накрайникът на диспенсера (B) влиза в отвора на вратата (D) (фиг. 7.3.2-3).

### **i** Предупреждение: Резервоар за вода

- ▶ Ако резервоарът за вода не е поставен правилно, от връзката може да капе вода.
- ▶ Не използвайте прекомерна сила при отстраняване или поставяне на резервоара за вода, за да не го повредите.

#### 7.4 Държач за бутилка – фризерна част

Държачите за бутилки на фризерната камера са предназначени за временно съхранение на спиртни напитки с високо алкохолно съдържание. Напитки без висок алкохолен градус трябва да се охлаждат в хладилника.

Освен това в държачите за бутилки можете да съхранявате малки продукти.



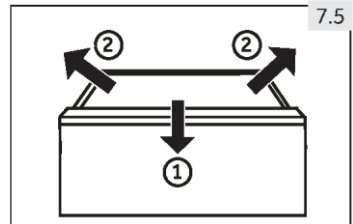
#### ПРЕДУПРЕЖДЕНИЕ!

Бутилките и консервите могат да гръмнат! Настройте таймер, който да ви напомня да извадите бутилки/кутии без високо съдържание на алкохол.

#### 7.5 Подвижно чекмедже

За да извадите чекмеджето от хладилника или фризерното отделение, издърпайте максимално (1), повдигнете и извадете (2) (фиг. 7.5).

За да поставите чекмеджето, извършете горните стъпки в обратен ред.



#### 7.6 Светлина

При отваряне на вратата в уреда се включва светодиодно осветление. Работата на светлините не се влияе от никаква друга настройка на уреда.

**ПРЕДУПРЕЖДЕНИЕ!**

Изключвайте уреда от захранването преди почистване.

**8.1 Почистване**

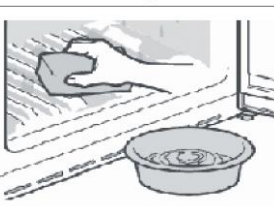
Почистете уреда, когато в него се съхранява малко или никаква храна.

Уредът трябва да бъде почистван на всеки четири седмици за добра поддръжка и за предотвратяване на лоши миризми от съхраняваните храни.

**ПРЕДУПРЕЖДЕНИЕ!**

- ▶ Не почиствайте уреда с твърди четки, телени четки, прахообразни препарати, бензин, амилацетат, ацетон и подобни органични разтвори, киселинни или алкални разтвори. Моля, почиствайте със специален препарат за хладилник, за да избегнете повреди.
- ▶ Не пръскайте и не плискайте уреда по време на почистване.
- ▶ Не използвайте водна струя или пара за почистване на уреда.
- ▶ Не почиствайте студените стъклени рафтове с гореща вода. Рязката температурна разлика може да доведе до спукване на стъклото.
- ▶ Не докосвайте вътрешната повърхност на отделението за съхранение на фризера, особено с мокри ръце, тъй като ръцете ви могат да замръзнат върху повърхността.
- ▶ В случай на нагриване проверете състоянието на замразените стоки.

8.1




- ▶ Винаги поддържайте уплътнението на вратата чисто.
- ▶ Почиствайте вътрешността и корпуса на уреда с влажна гъба с топла вода и неутрален препарат (фиг. 8.1).

1. Моля, търкайте вътрешната и външната част на хладилника, включително уплътненията на вратата, рафта за врата, стъклените рафтове, кутиите и т.н., с мека кърпа или гъба, потопена в топла вода (може да добавите неутрален препарат в топлата вода).
  2. Ако има разлята течност, отстранете всички замърсени части, изплакнете директно с течащата вода, подсушете и ги поставете обратно в хладилника.
  3. Ако има разлята сметана, крем или разтапящ се сладолед, моля, отстранете всички замърсени части, поставете ги за известно време в топла вода с температура около 40°C, след това изплакнете с течаща вода, подсушете и ги поставете обратно в хладилника.
  4. В случай че малка част или компонент заседне вътре в хладилника (между рафтовете или чекмеджетата), използвайте малка мека четка, за да го отстраните. Ако не можете да стигнете до частта, моля, свържете се с обслужващия център на Haier.
- ▶ Изплакнете и подсушете с мека кърпа.
  - ▶ Не почиствайте никоя от частите на уреда в миялна машина.
  - ▶ Изчакайте поне 5 минути, преди да включите отново уреда, тъй като честото стартиране може да повреди компресора.

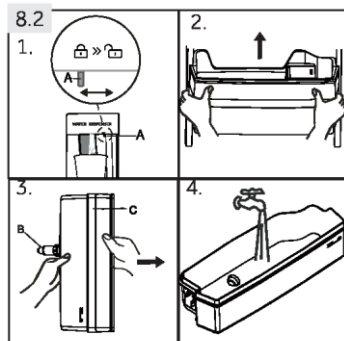
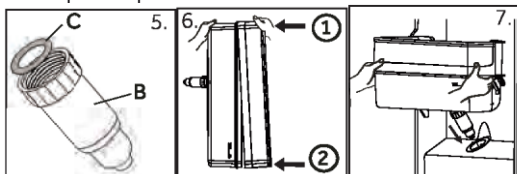
**Размразяване**

Размразяването на хладилното и фризерното отделение се извършва автоматично: не е необходимо ръчно управление.

**8.2 Почистване на резервоара за вода (фиг. 8.2) (HSR3918EWP\*)**

1. Плъзнете ключалката (A) до положение  „Заклучване“.

2. Извадете резервоара за вода от уреда.
3. Отстранете капака (С) и развийте внимателно накрайника на диспенсъра (В).
4. Почистете резервоара за вода и накрайника на диспенсъра с топла течаща вода и течен препарат за миене на съдове. Уверете се, че целият сапун е изплакнат.
5. Поставете накрайника на диспенсъра (В), старателно го затегнете към резервоара за вода и се уверете, че белият О-пръстен (С) е на място.
6. Натиснете капака, за да го нагласите към едната страна на резервоара, а след това и към другата, и проверете дали резервоарът за вода и капакът са напълно сглобени.
7. Поставете отново резервоара в уреда. Уверете се, че накрайникът на диспенсъра е поставен правилно в отвора на вратата.



### 8.3 Смяна на LED лампите



#### ПРЕДУПРЕЖДЕНИЕ!

Не сменяйте сами LED лампата, тя трябва да бъде заменена само от производителя или от упълномощен сервизен представител.

Лампите са светодиодни, отличаващи се с ниска консумация на енергия и дълъг експлоатационен живот. В случай на аномалии, моля, свържете се с отдела за обслужване на клиенти. Вижте ОБСЛУЖВАНЕ НА КЛИЕНТИ.

Параметри на лампите: 12 V макс. 3 W.

### 8.4 Неизползване за дълъг период от време

Ако уредът не се използва за продължителен период от време и няма да използвате функцията за „Holiday“ за хладилника:

- ▶ Извадете храната.
- ▶ Изпразнете и почистете резервоара за вода.
- ▶ Изключете захранващия кабел.
- ▶ Почистете уреда, както е описано по-горе.
- ▶ Оставете вратите отворени, за да се предотврати развитието на неприятни миризми вътре.



#### Предупреждение: Изключване

Изключете уреда само ако е абсолютно необходимо.

### 8.5 Преместване на уреда

1. Извадете цялата храна и изключете уреда от контакта.
2. Подсигурете срещу нежелано движение рафтовете и другите подвижни части в хладилника и във фризера с тиксо.
3. Не наклоняйте уреда на повече от 45°, за да избегнете повреда на охладителната система.

**ПРЕДУПРЕЖДЕНИЕ!**

- ▶ Не вдигайте уреда за дръжките му.
- ▶ Никога не поставяйте уреда в хоризонтално положение върху земята.

Много от възникналите проблеми могат да бъдат решени от вас самите без никакви специфични умения. В случай на проблем, моля, проверете всички показани възможности и следвайте инструкциите по-долу, преди да се свържете с отдела за следпродажбено обслужване. Вижте ОБСЛУЖВАНЕ НА КЛИЕНТИ.

**ПРЕДУПРЕЖДЕНИЕ!**

- ▶ Преди извършване на поддръжка изключете уреда и извадете щепсела от контакта.
- ▶ Електрическото оборудване трябва да се обслужва само от квалифицирани експерти, тъй като неправилният ремонт може да причини значителни последващи щети.
- ▶ Повреда в захранващия кабел може да бъде отстранена от производителя, неговия обслужващ агент или лице с подобна квалификация, за да се избегне евентуална опасност.

**9.1 Таблица за отстраняване на неизправности**

| Проблем  | Вероятна причина   | Възможно решение   |
|--|--|--|
| Компресорът не работи.                                     | <ul style="list-style-type: none"> <li>• Щепселът не е включен в електрически контакт.</li> <li>• Уредът е в цикъл на размразяване.</li> </ul>   | <ul style="list-style-type: none"> <li>• Включете щепсела.</li> <li>• Това е нормално за автоматично размразяване.</li> </ul>  |
| Уредът се включва често или работи прекомерно дълго време. | <ul style="list-style-type: none"> <li>• Вътрешната или външната температура е твърде висока.</li> <li>• Уредът е бил изключен за продължително време.</li> <li>• Вратата на уреда не е затворена плътно.</li> <li>• Вратата е била отворена твърде често или за прекалено дълго време.</li> <li>• Температурата на фризерното отделение е настроена на твърде ниски стойности.</li> <li>• Уплътнението на вратата е замърсено, износено, напукано или разместено.</li> <li>• Необходимата циркулация на въздуха е възпрепятствана.</li> </ul> | <ul style="list-style-type: none"> <li>• В този случай е нормално уредът да работи по-дълго.</li> <li>• Обикновено са необходими от 8 до 12 часа, за да се охлади уредът напълно.</li> <li>• Затворете вратата и се уверете, че уредът се намира върху нивелирана повърхност, както и че затварянето на вратата не е възпрепятствано от храна или кутия.</li> <li>• Не отваряйте вратата твърде често.</li> <li>• Задайте по-висока температура, докато в хладилника се получи задоволителна температура. Отнема 24 часа, за да стане температурата в хладилника стабилна.</li> <li>• Почистете уплътненията на вратата или ги сменете с помощта на отдела за обслужване на клиенти.</li> <li>• Осигурете подходяща вентилация.</li> </ul> |
| Вътрешността на хладилника е мръсна и/или с лош мирис.     | <ul style="list-style-type: none"> <li>• Вътрешността на хладилника трябва да бъде почистена.</li> <li>• В хладилника се съхранява храна със силен мирис.</li> </ul>   | <ul style="list-style-type: none"> <li>• Почистете вътрешността на хладилника.</li> <li>• Опаковайте добре храната.</li> </ul>   |

| Проблем   | Вероятна причина   | Възможно решение   |
|---|--|--|
| В уреда не е достатъчно студено.  | <ul style="list-style-type: none"> <li>Зададена е прекалено висока температура.</li> <li>Съхранявани са твърде топли стоки.</li> <li>Съхранявано е прекалено голямо количество храна наведнъж.</li> <li>Храните са поставени прекалено близко една до друга.</li> <li>Вратата на уреда не е затворена плътно.</li> <li>Вратата е била отваряна твърде често или за прекалено дълго време.</li> </ul> | <ul style="list-style-type: none"> <li>Върнете първоначалната настройка на температурата.</li> <li>Винаги оставайте храните да изстинат, преди да ги приберете.</li> <li>Винаги съхранявайте малки количества храна.</li> <li>Оставайте празно място между храните, за да осигурите възможност на въздуха да циркулира.</li> <li>Затворете вратата.</li> <li>Не отваряйте вратата твърде често.</li> </ul> |
| Вътре в уреда е твърде студено.   | <ul style="list-style-type: none"> <li>Зададена е прекалено ниска температура.</li> <li>Активирана е функцията Super-Cool/Super-Freeze или работи прекалено дълго време.</li> </ul>  | <ul style="list-style-type: none"> <li>Върнете първоначалната настройка на температурата.</li> <li>Изключете функцията Super-Cool/Super-Freeze.</li> </ul>   |
| Във вътрешността на хладилното отделение се формира конденз.                            | <ul style="list-style-type: none"> <li>Климатът е твърде топъл и твърде влажен.</li> <li>Вратата на уреда не е затворена плътно.</li> <li>Вратата е била отваряна твърде често или за прекалено дълго време.</li> <li>Кутии с храна или течности са оставени отворени.</li> </ul>  | <ul style="list-style-type: none"> <li>Увеличете температурата.</li> <li>Затворете вратата.</li> <li>Не отваряйте вратата твърде често.</li> <li>Оставете горещите храни да изстинат до стайна температура и покривайте храните и течностите.</li> </ul>   |
| По повърхността на хладилника от външната страна или между вратите се образува конденз. | <ul style="list-style-type: none"> <li>Климатът е твърде топъл и твърде влажен.</li> <li>Вратата не е затворена плътно. Студеният въздух в уреда и топлият въздух извън него образуват конденз.</li> </ul>   | <ul style="list-style-type: none"> <li>Това е нормално при влажен климат и ще се промени, когато влажността намалее.</li> <li>Уверете се, че вратата е затворена плътно.</li> </ul>  |
| Много лед и скреж във фризера.  | <ul style="list-style-type: none"> <li>Храните не са опаковани адекватно.</li> <li>Врата/чекмедже на уреда не е затворена/о плътно.</li> <li>Вратата е била отваряна твърде често или за прекалено дълго време.</li> <li>Уплътнението на вратата е замърсено, износено, напукано или разместено.</li> <li>Нещо от вътрешната страна пречи на вратата да се затвори правилно.</li> </ul>              | <ul style="list-style-type: none"> <li>Винаги опаковайте храните добре.</li> <li>Затворете вратата/чекмеджето.</li> <li>Не отваряйте вратата твърде често.</li> <li>Почистете уплътненията на вратата или ги сменете с нови.</li> <li>Преместете рафтовете, стелажите на вратите или вътрешните контейнери, за да позволите на вратата да се затвори.</li> </ul>   |
| Уредът издава необичайни звуци.   | <ul style="list-style-type: none"> <li>Уредът не е разположен на равен терен.</li> <li>Уредът докосва някакъв предмет около него.</li> </ul>   | <ul style="list-style-type: none"> <li>Регулирайте крачетата, за да нивелирате уреда.</li> <li>Отстранете предметите около уреда.</li> </ul>   |

| Проблем  | Вероятна причина  | Възможно решение  |
|--|---|---|
| Трябва да се чуе лек звук, наподобяващ звука от течаща вода. | <ul style="list-style-type: none"> <li>Това е нормално.</li> </ul>  | <ul style="list-style-type: none"> <li>-</li> </ul>   |
| Ще чуете звуков сигнал.                                      | <ul style="list-style-type: none"> <li>Вратата е отворена.</li> </ul>   | <ul style="list-style-type: none"> <li>Затворете вратата.</li> </ul>  |
| Ще чуете слабо бръмчене.                                     | <ul style="list-style-type: none"> <li>Системата против конденз работи.</li> </ul>  | <ul style="list-style-type: none"> <li>Това предотвратява конденза и е нормално.</li> </ul>   |
| Вътрешната светлинна или охлаждателна система не работи.     | <ul style="list-style-type: none"> <li>Щепселът не е включен в електрическия контакт.</li> <li>Захранването не е цялостно.</li> <li>LED лампата е повредена.</li> </ul> | <ul style="list-style-type: none"> <li>Включете щепсела.</li> <li>Проверете електрическото захранване на помещението. Обадете се на местната електрическа компания!</li> <li>Моля, обадете се на обслужващ център за смяна на лампата.</li> </ul> |
| Страните на шкафа и лентата на вратата се затоплят.          | <ul style="list-style-type: none"> <li>Това е нормално.</li> </ul>  | <ul style="list-style-type: none"> <li>-</li> </ul>   |
| От крайника на диспенсъра не излиза вода                     | <ul style="list-style-type: none"> <li>Заклучването не е деактивирано.</li> </ul>   | <ul style="list-style-type: none"> <li>Деактивирайте заключването.</li> </ul>   |

## 9.2 Прекъсване на електрозахранването

При прекъсване на електрозахранването храната би трябвало да остане студена в продължение на около 5 часа. Следвайте следните съвети по време на продължително прекъсване на електрозахранването, особено през лятото:

- ▶ Отваряйте вратата/чекмеджето възможно най-рядко.
- ▶ Не поставяйте друга храна в уреда по време на прекъсването на електрозахранването.
- ▶ Ако е дадено предварително известие за прекъсване на електрозахранването и продължителността на прекъсването надвишава 5 часа, направете малко лед и го поставете в кутия в горната част на отделението на хладилника.
- ▶ Необходима е проверка на храните веднага след прекъсването.
- ▶ Тъй като температурата в хладилника ще се повиши по време на прекъсване на захранването или при друга повреда, периодът на съхранение и хранителната годност на храната ще бъдат намалени. Всички храни, които се размразят, трябва или да бъдат консумирани, или сготвени и замразени отново в най-кратък срок (когато това е подходящо), за да се предотвратят възможни рискове за здравето.



### Предупреждение: Функция за запаметяване при прекъсване на електрозахранването

След възстановяване на захранването уредът продължава с настройките, зададени преди спиране на тока.



## 10.1 Разопаковане



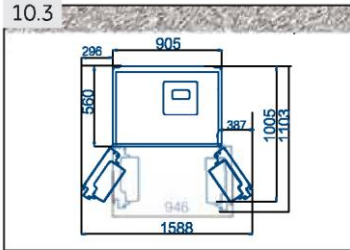
### ПРЕДУПРЕЖДЕНИЕ!

- ▶ Уредът е тежък. Винаги при преместването му трябва да участват поне двама души.
- ▶ Пазете всички опаковъчни материали на място, недостъпно за деца, и ги изхвърлете по екологосъобразен начин.
- ▶ Разопакувайте уреда.
- ▶ Отстранете всички опаковъчни материали, включително прозрачното защитно фолио.

## 10.2 Условия на обкръжаващата среда

Температурата в помещението винаги трябва да бъде между 16°C и 43°C, тъй като това може да повлияе на температурата вътре в уреда и консумацията на енергия. Не поставяйте уреда близо до други излъчващи топлина уреди (фурни, хладилници) без изолация.

### 10.3



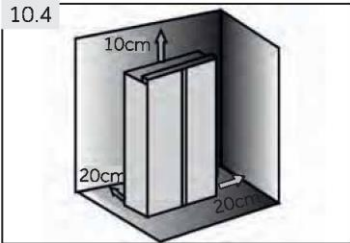
### 10.3 Изискване за пространство

Необходимо пространство при отваряне на вратата (фиг. 10.3):

Ширина на уреда: 1588 мм

Дълбочина на уреда: 1103 мм

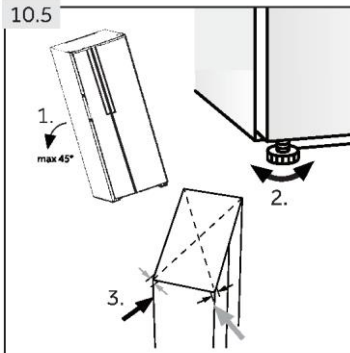
### 10.4



### 10.4 Вентилационно сечение

За да се постигне достатъчна вентилация на уреда от съображения за безопасност, трябва да се спазва информацията за необходимите напречни сечения на вентилацията (фиг. 10.4).

### 10.5



### 10.5 Подравняване на уреда

Уредът трябва да бъде поставен на равна и твърда повърхност.

1. Наклонете уреда леко назад (фиг. 10.5).
2. Нагласете краката до желаното ниво.

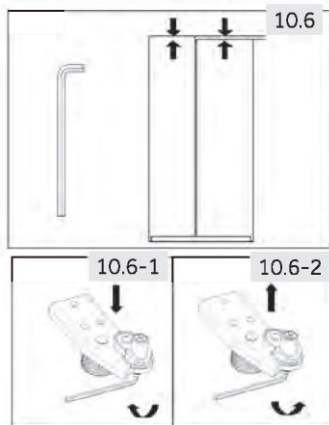
Уверете се, че разстоянието до стената от страните на пантите е поне 5 см.

3. Стабилността може да се провери чрез последователно удряне по диагоналите. И в двете посоки трябва да се получава еднакво леко люлеене. В противен случай рамката може да се изкриви, в резултат на което уплътненията на вратата няма да прилепват плътно. Лекият наклон назад улеснява затварянето на вратите.

### 10.6 Фина настройка на вратите

Ако след подравняването на краката вратите все още не са на едно ниво, това несъответствие може да се отстрани чрез завъртане на шарнирния повдигащ вал в долния десен ъгъл на хладилната врата с гаечен ключ (фиг. 10.6).

- ▶ Завъртете повдигащия вал по часовниковата стрелка с гаечен ключ, за да намалите височината на вратата (фиг. 10.6-1).
- ▶ Завъртете повдигащия вал обратно на часовниковата стрелка с гаечен ключ, за да увеличите височината на вратата (фиг. 10.6-2).

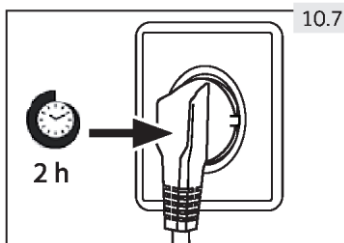


#### ПРЕДУПРЕЖДЕНИЕ!

Не регулирайте повдигащия вал прекалено много, тъй като прекомерното му повдигане може да го изкара от застопорената му позиция. (Регулируем диапазон на височината: 3 мм)

### 10.7 Време на изчакване

Смазочното масло, което не се нуждае от поддръжка, се намира в капсулата на компресора. Това масло може да се разтече из затворената система на тръбата, когато уредът се пренася в наклонено положение. Преди да свържете уреда към захранването, трябва да изчакате поне 2 часа (фиг. 10.7), за да може маслото да се върне обратно в капсулата.



### 10.8 Електрическа връзка

Преди всяко свързване проверявайте дали:

- ▶ захранването, контактът и предпазителите са подходящи според табелката с данни.
- ▶ електрическият контакт е заземен и няма включен разклонител или удължител.
- ▶ щепселът и контактът са в пълно съответствие.

Свържете щепсела към правилно инсталиран контакт с битово предназначение.



#### ПРЕДУПРЕЖДЕНИЕ!

За да се избегнат рискове, повреден захранващ кабел трябва да се заменя от сервизния отдел (вижте гаранционната карта).

- 10.9 Сваляне и поставяне на вратите** и инструкции за монтаж по-долу (фиг. 10.9). В случай че се налага да свалите вратите на уреда, моля, следвайте инструкциите за сваляне и поставяне на вратите по-долу (фиг. 10.9).



### ПРЕДУПРЕЖДЕНИЕ!

- ▶ Преди всяка операция изключете уреда и извадете щепсела от контакта.
- ▶ Уредът е тежък. Винаги при преместването му трябва да участват поне двама души.
- ▶ Не наклоняйте уреда повече от 45° и не го поставяйте в хоризонтално положение върху земята.

- 10.9**
- 
- 1.** Развийте винта на капака на пантата и свалете капака. Освободете кабелния щепсел.
- 
- 2.** Развийте винтовете, които държат горната панта в положение, и след това извадете пантата.
- 
- 3.** Повдигнете вратата на хладилната част, за да я извадите.
- 
- 4.** Поставете отново вратата, като изпълните стъпките в обратен ред. Уверете се, че кабелът за заземяване ще бъде фиксиран от винта.



### Предупреждение: Врата на хладилника

Изображенията показват отстраняването на вратата на хладилното отделение. За вратата на фризера, моля, използвайте съответните части от другата страна

**11.1 Функции на продукта съгласно регламент (ЕС) № 1060/2010**

|   |   |
|---|---|
| Търговска марка   | Haier   |
| Идентификатор на модела   | HSR3918FNP*   |
| Категория на модела   | Хладилник с фризер  |
| Клас на енергийна ефективност   | A+  |
| Годишно потребление на енергия (kWh/година) <sup>1)</sup>   | 399   |
| Обем за съхранение на хладилната част (л)   | 337   |
| Обем за съхранение на фризерната част (л) ****  | 167   |
| Оценка със звезди   |  |
| Температура на другите отделения > 14°C   | Не е приложимо  |
| Система без скреж   | Да  |
| Време на покачване на температурата (ч)   | 5   |
| Капацитет на замразяване (кг/24 ч)  | 10  |
| Климатичен клас<br>Уредът е предназначен за използване при температура на околната среда между 10°C и 43°C. | SN-N-ST-T   |
| Въздушни шумови емисии (db(A) re 1pW)   | 38  |
| Тип конструкция   | Свободно стоящ  |

въз основа на стандартните резултати от теста за 24 часа. Реалното потребление на енергия ще зависи от начина на използване на уреда и неговото местоположение.

**11.1.1 Допълнителни технически данни**

|                        |                  |
|------------------------|------------------|
| Напрежение / Честота   | 220-240V ~/ 50Hz |
| Входна мощност (W)     | 200              |
| Главен предпазител (A) | 15               |
| Охладител              | R600a            |
| Размери (В/Ш/Д в мм)   | 1775/908/647     |

**11.1.2 Стандарти и директиви **

Този продукт отговаря на изискванията на всички приложими директиви на ЕО със съответстващите хармонизирани стандарти, които предвиждат маркировка „CE“.

Препоръчваме използването на клиентско обслужване от Haier и оригинални резервни части.

Ако имате проблем с вашия уред, първо проверете раздела **ОТСТРАНЯВАНЕ НА НЕИЗПРАВНОСТИ**.

Ако не можете да намерите решение там, моля, свържете се с

- ▶ вашия местен търговец или
- ▶ в частта „Помощно обслужване“ на [www.haier.com](http://www.haier.com), където можете да намерите телефонни номера и често задавани въпроси и където можете да активирате заявката за услуга.

За да се свържете с нашия отдел „Обслужване“, уверете се, че разполагате със следните данни.

Информацията може да бъде намерена на табелката с данни.

Модел \_\_\_\_\_ Серийн № \_\_\_\_\_

Също така проверете предоставената с продукта гаранционна карта, в случай на гаранция.



**Haier**



0060524101F