

Reference Guide	EN
Guide de référence	FR

# Home Theatre System

# Système Home Cinema



https://rd1.sony.net/help/ht/2100/h\_zz/



©2026 Sony Corporation  
Printed in China  
Imprimé en Chine

BRAVIA Theatre Trio Model, Modèle: YY2100C

English	Home Theatre System
---------	---------------------

Before using the unit, be sure to read the End User License Agreement (EULA) supplied with the unit. The content of the agreement also applies to speakers (available separately) connected to the unit (unless those speakers have a separate license agreement).

Model: YY2100C

The term "product" in this document refers to the unit or its accessories.

#### Owner's Record

Record the model and serial numbers in the spaces provided below and store them safely. Refer to them whenever you call your Sony dealer regarding this product.

Model No. \_\_\_\_\_

Serial No. \_\_\_\_\_

The model and serial numbers to be recorded are located in the following places.

- the bottom of the unit

Do not install the product in a confined space, such as a bookcase or built-in cabinet.

To reduce the risk of fire, do not cover the ventilation opening of the unit with newspapers, tablecloths, curtains, etc. Do not expose the unit to naked flame sources (for example, lighted candles).

To reduce the risk of fire or electric shock, do not expose this product to dripping or splashing, and do not place objects filled with liquids, such as vases, on the product.

The unit is not disconnected from the AC power source (mains) as long as it is connected to the wall outlet, even if the unit itself has been turned off.

Install the unit so that the power cord can be unplugged from the wall socket immediately in the event of trouble.

For Remote Commander

**CAUTION**

Risk of explosion if battery is replaced by an incorrect type. Dispose of used batteries according to local rules and regulations.

Do not expose the batteries (battery pack or batteries installed) to excessive heat, such as sunshine, fire or the like, for a long time.

This product has magnet(s) which may interfere with pacemakers, programmable shunt valves for hydrocephalus treatment, or other medical devices. Do not place this product close to persons who use such medical devices. Consult your doctor before using this product if you use any such medical device.

The nameplate and important information concerning safety are attached in the following locations:

- the bottom of the unit

For details on the effects of contact with the human body from the mobile phone or other wireless devices connected to the unit, refer to the instruction manual of the wireless device.

#### For customers in the U.S.A.

You are cautioned that any changes or modifications not expressly approved in this manual could void your authority to operate this unit.

This unit must not be co-located or operated in conjunction with any other antenna or transmitter.

This device complies with part 15 of the FCC Rules. Operation is subject to the following two conditions: (1) This device may not cause harmful interference, and (2) this device must accept any interference received, including interference that may cause undesired operation.

NOTE:

This unit has been tested and found to comply with the limits for a Class B digital device, pursuant to Part 15 of the FCC Rules. These limits are designed to provide reasonable protection against harmful interference in a residential installation. This unit generates, uses, and can radiate radio frequency energy and, if not installed and used in accordance with the instructions, may cause harmful interference to radio communications.

However, there is no guarantee that interference will not occur in a particular installation. If this unit does cause harmful interference to radio or television reception, which can be determined by turning the unit off and on, the user is encouraged to try to correct the interference by one or more of the following measures:

- Reorient or relocate the receiving antenna.
- Increase the separation between the unit and receiver.
- Connect the unit into an outlet on a circuit different from that to which the receiver is connected.
- Consult the dealer or an experienced radio/TV technician for help.

The shielded interface cable recommended in this manual must be used with the unit in order to comply with the limits for a digital device pursuant to Subpart B of Part 15 of FCC Rules.

If you have any questions about this product:

Visit: https://www.sony.com/electronics/support

Contact: Sony Customer Information Service Center at 1-800-222-7669

Supplier's Declaration of Conformity

Trade Name: SONY

Model: YY2100C

Responsible Party: Sony Electronics Inc.

Address: 16535 Via Esprillo, San Diego, CA 92127 U.S.A.

Telephone Number: 858-942-2230

This unit complies with FCC radiation exposure limits set forth for an uncontrolled environment and meets the FCC radio frequency (RF) Exposure Guidelines. This unit should be installed and operated keeping the radiator at least 20 cm or more away from person's body.

Compliance with FCC requirement 15.407(c)

Data transmission is always initiated by software, which is passed down through the MAC, through the digital and analog baseband, and finally to the RF chip. Several special packets are initiated by the MAC. These are the only ways the digital baseband portion will turn on the RF transmitter, which it then turns off at the end of the packet. Therefore, the transmitter will be on only while one of the aforementioned packets is being transmitted. In other words, this unit shall automatically discontinue transmission in case of either absence of information to transmit or operational failure.

Frequency Tolerance: ±16 ppm

FCC regulations restrict operation of this unit to indoor use only. The operation of this unit is prohibited on oil platforms, in automobiles, trains, maritime vessels, and aircraft, except that operation of this unit in the 5.925 GHz – 6.425 GHz band is permitted in large aircraft while flying above 3 048 m (10 000 ft).

Operation of transmitters in the 5.925 GHz – 7.125 GHz band is prohibited for control of or communications with unmanned aircraft systems.

#### For customers in Canada

This unit contains licence-exempt transmitter(s)/receiver(s) that comply with Innovation, Science and Economic Development Canada's licence-exempt RSS(s). Operation is subject to the following two conditions: (1) This unit may not cause interference; and (2) This unit must accept any interference, including interference that may cause undesired operation of the unit.

This unit complies with ISED radiation exposure limits set forth for an uncontrolled environment and meets RSS-102 of the ISED radio frequency (RF) Exposure rules. This unit should be installed and operated keeping the radiator at least 20 cm or more away from person's body.

5 150 MHz – 5 350 MHz band is restricted to indoor operations only.

Operation shall be limited to indoor use only. The operation on oil platforms, in automobiles, trains, maritime vessels, and aircraft shall be prohibited except for large aircraft flying above 3 048 m (10 000 ft).

Devices shall not be used for control of or communications with unmanned aircraft systems.

Data transmission is always initiated by software, which is passed down through the MAC, through the digital and analog baseband, and finally to the RF chip. Several special packets are initiated by the MAC. These are the only ways the digital baseband portion will turn on the RF transmitter, which it then turns off at the end of the packet. Therefore, the transmitter will be on only while one of the aforementioned packets is being transmitted. In other words, this unit shall automatically discontinue transmission in case of either absence of information to transmit or operational failure.

## Precautions

#### On the power cord

- The supplied AC power cord (mains lead) is designed exclusively for this unit. It should not be used in combination with any other devices.
- Completely disconnect the AC power cord (mains lead) from the AC outlet (mains) if it is not going to be used for an extended period of time. When unplugging the AC power cord (mains lead), always grip the plug. Never pull the cord itself.
- If the AC power cord (mains lead) is damaged, contact your nearest Sony dealer or the store you purchased the product from for a replacement.

#### On placement

- Do not place the unit near heat sources or in a place subject to direct sunlight, excessive dust, or mechanical shock.
- Place this unit on a flat, level surface. When placed on a sloped surface, the unit may fall over or fall off the surface due to its own vibration, resulting in injuries, malfunctions, or performance degradation.
- Use caution when placing the unit on a surface that has been specially treated (with wax, oil, polish, etc.), as staining or discoloration of the surface may result.
- The speakers of this unit are not of magnetically shielded type. Do not place magnetic cards on the unit or near it.
- Do not place metal objects other than a TV around the unit. Wireless functions may be unstable.

#### How to care for the unit

- Any dust or dirt on the fabric part should be gently removed with a soft cloth.
  - Scratching the dirt off with the fingernails or applying excessive force may damage the fabric.
  - Do not use cleaning brushes, etc., as such tools may damage the fabric depending on the tool material.
  - If the fabric part is heavily soiled, wipe it with a soft cloth lightly dampened with a neutral detergent, then wipe it again with a soft dry cloth.
  - Use of detergents or cleaners other than neutral detergent may cause color fading or fabric damage.
- Wipe the cabinet with a soft cloth dampened with a mild detergent. Do not use abrasive pads, cleansers, or solvents like alcohol or benzene.

#### On BLUETOOTH® communications

- Microwaves emitting from a BLUETOOTH device may affect the operation of electronic medical devices. Turn off this unit and other BLUETOOTH devices in the following locations, as it may cause an accident:
  - in hospitals, near priority seating in trains, locations where inflammable gas is present, near automatic doors, or near fire alarms.

#### Notes on transferring/dispersing

- Be sure to reset the unit, deleting private information and setting information before transferring/dispersing. If the unit is transferred or disposed without resetting, private information may be inspected by a third person and abused. For details of the resetting method, refer to Help Guide.

#### Other notes

- If a foreign object or water gets into the unit, turn off the unit immediately, unplug the unit from the AC outlet (mains), and consult with your nearest Sony dealer or the store you purchased the product from.
- Data Processing Related to Internet Connection and System Software Update** When this product connects to the internet, Sony Corporation ("Sony") will process your IP address. Additionally, when this product needs to perform an update to receive the latest operating system software, display Privacy Policy through the "Sony | BRAVIA Connect" app or receive third party services, Sony will process IP address, version information of Privacy Policy, software version and country/region code of this product. If you do not want such data to be processed, do not set-up the wireless internet function. Please note that the legal basis under EU law for Sony processing the above data for your internet connection and the provisions of software updates are the performance of the contract we have with you. For more information about how Sony handles your data and your privacy rights, and for contact details if you have questions or concerns, please access the following URL and read the Privacy Policy. https://ssh-app-config\_data-gateways-seeds-services/hec/pp/hec\_pp\_index.html
- When connecting the unit to the Internet, use the router (ADSL modem or optical line termination device with the router function supplied with the Internet provider, or Wireless LAN access point). If you connect to the Internet without using the router, a security problem may occur. If you are not sure that the wall outlet for the network line has the router function, ask your manager of the apartment house or internet provider.
- If you have any questions or problems concerning this unit that are not covered in this manual, please consult your nearest Sony dealer.

## How To Use

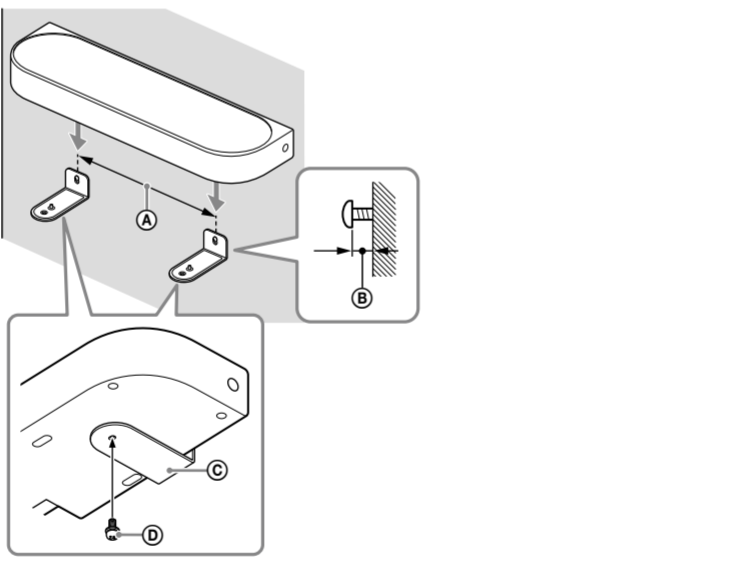
<b>Installation, connection, and initial settings of the unit must be performed in accordance with the "Sony   BRAVIA Connect" app installed on your smartphone. For more information on how to use the unit, access the Help Guide from the URL on the cover of this document.</b>
---

## Mounting on a Wall

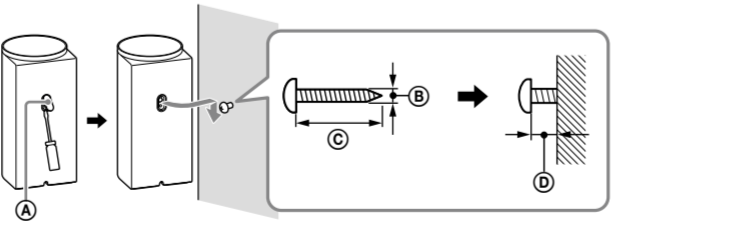
**Refer to the Help Guide from the URL on the cover of this document for more details and other installation method.**

#### Notes

- Make sure to use the supplied wall mounting brackets when mounting the center speaker on a wall. Do not mount the center speaker directly on a wall. The temperature inside the center speaker rises considerably, which may cause damage or malfunction.
- Hang the center speaker horizontally on a reinforced wall.
- Ask a Sony dealer or licensed contractor to install the speakers securely and with full consideration of safety.
- Sony shall not be held responsible for any accidents or damage caused by improper installation, lack of installation stability, misuse, or natural disaster.
- For safety, at least two persons should work together to mount the center speaker.
- Prepare screws (not supplied) suitable for the wall material and hardness. Depending on the wall material, screws that are not suitable may damage the wall.
- Fasten the screws securely into the wall beam.



- A Distance between the screws (commercially available) for wall installation: 334 mm (13 1/8 in)
- B Gap between the wall installation screw head and wall: 3.5 mm to 4.5 mm (5/32 in to 3/16 in)
- C Wall mounting bracket (supplied)
- D Screw (supplied)



- A Cover (supplied)
- B 4 mm (3/16 in)
- C Longer than 30 mm (1 3/16 in) (approx.)
- D 11 mm (7/16 in) (approx.)

## Included Items

Speaker (CENTER) (1)  
Speaker (FRONT L) (1)  
Speaker (FRONT R) (1)  
Calibration microphone (USB Type-C®) (1)  
Remote control (1)  
Battery (2)  
WALL MOUNT TEMPLATE (Paper) for the center speaker (1)  
WALL MOUNT TEMPLATE (Paper) for the front speaker (2)  
Wall mounting bracket (2)  
Foot (2)  
Screw (2)  
HDMI cable (4K, 8K transmission supported) (1)  
AC power cord (mains lead) for the center speaker (1)  
AC power cord (mains lead) for the front speaker (2)  
Documents (1 set)

## Specifications

### Center speaker (YY2100C1)

**Wireless LAN section**  
Communication system  
IEEE 802.11 a/b/g/n/ac/ax  
Frequency band  
2.4 GHz, 5 GHz, 6 GHz bands

**BLUETOOTH section**  
Frequency band  
2.4 GHz band (2.400 0 GHz - 2.483 5 GHz)

**USB section (For service use only)**  
FOR SERVICE port  
Type A (For connecting USB memory)

**HDMI section**  
Connector  
Type A (19pin)

**Wireless transmitter/receiver section**  
Communication system  
Wireless Sound Specification  
Frequency band  
5 GHz, 6 GHz bands

**General**  
Power  
AC 120 V, 60 Hz  
Power consumption  
On: 31 W  
Network standby mode ([Network/Bluetooth Standby] is set to ON): 3.5 W or less  
Standby mode ([Network/Bluetooth Standby] is set to OFF): 0.5 W or less  
When [Signal Pass Through] is set to [OFF], or when [Signal Pass Through] is set to [Auto] and the connected TV is turned off.  
Changing the settings of the unit as described below will cause the power consumption to exceed the value listed above.

- Set [Signal Pass Through] to [On]
- Set [Signal Pass Through] to [Auto] and [Control for HDMI] to [Off]

When the [Auto Standby] function is enabled, if the product is not being operated and there is no signal input for about 20 minutes, the center speaker automatically enters the network standby mode or standby mode. Disabling the [Auto Standby] function will increase the power consumption of this product.
Dimensions (W × H × D)
Including projecting parts and controls.  
Center speaker: Approx. 589 mm × 64 mm × 165 mm (23 1/4 in × 2 5/8 in × 6 1/2 in)  
Center speaker with the Foot: Approx. 589 mm × 76 mm × 165 mm (23 1/4 in × 3 in × 6 1/2 in)  
Center speaker with the Wall mounting bracket: Approx. 589 mm × 72 mm × 178 mm (23 1/4 in × 2 7/8 in × 7 1/8 in)  
Mass  
Center speaker: Approx. 3.2 kg (7 lb 1 1/2 oz)  
Center speaker with the Foot: Approx. 3.2 kg (7 lb 1 oz)  
Center speaker with the Wall mounting bracket: Approx. 3.6 kg (7 lb 15 oz)

**Front speaker (YY2100C2/ YY2100C3)**  
The following descriptions are the specifications per speaker.

**Wireless transmitter/receiver section**  
Communication system  
Wireless Sound Specification  
Frequency band  
5 GHz, 6 GHz bands

**General**  
Power  
AC 120 V, 60 Hz  
Power consumption  
On: 26 W  
Network standby mode (power indicator is lit in red): 1.8 W or less  
Turned off (power indicator is off): 0.3 W or less  
When you press and hold the LINK for 2 seconds or more and then release your finger, the speaker shifts to the power off mode and the power indicator is turned off. Press the LINK to use the speaker again.  
Dimensions (W × H × D)
Including projecting parts and controls.  
Approx. 160 mm × 337 mm × 165 mm (6 3/8 in × 13 3/8 in × 6 1/2 in)  
Mass  
Approx. 3.6 kg (7 lb 15 oz)

**Calibration microphone (ECM-AC4)**  
Directional characteristic  
Omni directional  
Effective frequency range  
30 Hz -16 kHz  
Connector  
USB Type-C® port  
Power  
Plug-in power (DC 5 V 30 mA)  
Dimensions (W × H × D)  
Not including USB Type-C® connector.  
Approx. 70 mm × 12 mm × 12 mm (2 7/8 in × 1/2 in × 1/2 in)  
Mass  
Approx. 6 g (1 oz)  
Design and specifications are subject to change without notice.  
Depending on the connected device, the available radio frequency varies.

Depending on the connected device, the available radio frequency varies.

### Trademarks

- The BLUETOOTH™ word mark and logos are registered trademarks owned by Bluetooth SIG, Inc. and any use of such marks by Sony Group Corporation and its subsidiaries is under license.
- USB Type-C® and USB-C® are registered trademarks of USB Implementers Forum.
- The terms "HDMI™", "HDMI High-Definition Multimedia Interface", "HDMI Trade dress and the HDMI Logos are trademarks or registered trademarks of HDMI Licensing Administrator, Inc.
- LDAC and LDAC logo are trademarks of Sony Group Corporation or its affiliates.
- All other trademarks and registered trademarks are trademarks or registered trademarks of their respective holders. In this manual, ™ and ® marks are not specified.

### Licenses

- This product contains software that Sony uses under a licensing agreement with the owner of its copyright. We are obligated to announce the contents of the agreement to customers under requirement by the owner of copyright for the software. Please access the following URL and read the contents of the license. https://rd1.sony.net/help/ht/sl/sl/26b/
- The software included in this product contains copyrighted software that is licensed under the GPL/ LGPL and other licenses which may require access to source code. You may find a copy of the relevant source code as required under the GPL/LGPL (and other licenses) at the following URL. You may obtain the source code as required by the GPL/LGPL on a physical medium from us for a period of three years after our last shipment of this product by applying through the form at the following URL. This offer is valid to anyone in receipt of this information. https://oss.sony.net/Products/Linux/ Please note that Sony cannot answer or respond to any inquiries regarding the content of this source code.
- The Spotify Software is subject to third party licenses found here: https://www.spotify.com/connect/third-party-licenses.

- Dolby, Dolby Vision, Dolby Atmos, and the double-D symbol are trademarks of Dolby Laboratories Licensing Corporation. Manufactured under license from Dolby Laboratories. Confidential unpublished works. Copyright © 2012–2024 Dolby Laboratories. All rights reserved.
- Manufactured under license from IMAX Corporation. IMAX® is a registered trademark of IMAX Corporation in the United States and/or other countries. For DTS patents, see http://xperi.com/dis-patents/. Manufactured under license from DTS, Inc. and its affiliates. DTS, DTS:X, and the DTS:X logo are registered trademarks or trademarks of DTS, Inc. and its affiliates in the United States and/or other countries. © DTS, Inc. and its affiliates. ALL RIGHTS RESERVED.
- Services offered by third parties may be changed, suspended, or terminated without prior notice. Sony does not bear any responsibility in these sorts of situations.

Français	Système Home Cinema
----------	---------------------

Avant d'utiliser l'appareil, veuillez lire le contrat de licence d'utilisateur final (CLUF) fourni avec l'appareil. Le contenu de ce contrat s'applique également aux enceintes (disponibles séparément) raccordées à l'appareil (à moins que ces enceintes ne soient soumises à un contrat de licence séparé).

Modèle : YY2100C

Le terme « produit » dans ce document désigne l'appareil ou ses accessoires.

**Fiche du propriétaire**  
Inscrivez les numéros de modèle et de série dans les espaces prévus ci-dessous et rangez-les en toute sécurité. Donnez cette référence chaque fois que vous appelez votre revendeur Sony concernant ce produit. N° de modèle \_\_\_\_\_ N° de série \_\_\_\_\_ Les numéros de modèle et de série se trouvent aux emplacements suivants.

- le bas de l'appareil

N'installez pas le produit dans un espace clos, comme une bibliothèque ou une armoire encastrée.

Afin de réduire le risque d'incendie, ne couvrez pas l'orifice de ventilation de l'appareil avec des journaux, des nappes, rideaux, etc. N'exposez pas l'appareil à des sources de flamme nue (bougies allumées, par exemple).

Afin de réduire le risque d'incendie ou de choc électrique, n'exposez pas ce produit à des gouttes ou à des éclaboussures et ne placez aucun objet rempli de liquide, tel qu'un vase, sur le produit.

L'appareil n'est pas déconnecté de la source d'alimentation CA (secteur) tant qu'il reste branché à la prise murale, même s'il a été mis hors tension.

Installez l'appareil de sorte que le cordon d'alimentation puisse être débranché de la prise murale de façon immédiate en cas de problème.

Pour la télécommande ATTENTION Risque d'explosion si vous remplacez la pile par un type incorrect. Mettez les piles usagées au rebut en suivant les règles et réglementations locales.

N'exposez pas les piles (bloc-batterie ou piles installées) à une chaleur excessive, telle que le soleil, un feu ou autre, pendant une longue période.

Ce produit comporte un ou des aimants qui peuvent perturber les stimulateurs cardiaques, les valves de dérivation programmables pour le traitement de l'hydrocéphalie ou d'autres appareils médicaux. Ne placez pas ce produit près de personnes utilisant ce type d'appareil médical. Consultez votre médecin avant d'utiliser ce produit si vous utilisez ce type d'appareil médical.

La plaque signalétique et les informations importantes concernant la sécurité sont fixées aux endroits suivants

- le bas de l'appareil

Pour plus de détails sur les effets du contact entre le corps humain et le téléphone mobile ou d'autres périphériques sans fil connectés à l'appareil, reportez-vous au mode d'emploi du périphérique sans fil.

#### Pour les clients aux États-Unis

Vous êtes prévenu que tout changement ou modification non approuvés expressément dans ce manuel pourrait annuler votre droit d'utilisation de cet appareil.

Cet appareil ne doit pas être installé au même endroit ni fonctionner en association avec une autre antenne ou un autre émetteur.

Cet appareil est conforme à la section 15 des règles de la FCC. Le fonctionnement est soumis aux deux conditions suivantes :

(1) Cet appareil ne doit pas provoquer d'interférence nuisibles et (2) cet appareil doit accepter toute interférence reçue, y compris une interférence qui pourrait provoquer un fonctionnement non désiré.

REMARQUE :

Cet appareil à été testé et déclaré comme conforme aux limitations d'un appareil numérique de classe B, conformément à la section 15 des règles de la FCC. Ces limitations sont conçues pour fournir une protection raisonnable contre les interférences nuisibles dans une installation résidentielle. Cet appareil génère, utilise et peut diffuser une énergie sous forme de fréquence radio et, s'il n'est pas installé et utilisé conformément aux instructions, pourrait provoquer des interférences nuisibles pour les communications radio.

Cependant, il n'existe aucune garantie que des interférences ne se produiront pas dans une installation particulière. Si cet appareil provoque des interférences nuisibles pour la réception radio ou télévision, qui peuvent être détectées en mettant sous et hors tension l'appareil, l'utilisateur est encouragé à essayer de corriger ces interférences par l'une ou plusieurs des mesures suivantes :

- Réorienter ou repositionner l'antenne de réception.
- Augmenter la distance entre l'appareil et le récepteur.
- Brancher l'appareil sur une prise murale d'un circuit différent de celui sur lequel le récepteur est branché.
- Consulter le revendeur ou un technicien radio/télévision qualifié pour obtenir de l'aide.

Le câble d'interface blindé recommandé dans ce manuel doit être utilisé avec l'appareil afin de respecter les limites établies pour un appareil numérique, conformément à la sous-section B de la section 15 des règles de la FCC.

Pour tout renseignement sur ce produit :
Consultez : https://www.sony.com/electronics/support
Contactez : Centre d'information et de service après-vente Sony au 1-800-222-7669
Déclaration de conformité du fabricant
Dénomination commerciale : SONY

Modèle : YY2100C
Partie responsable : Sony Electronics Inc.
Adresse : 16535 Via Esprillo, San Diego, CA 92127 Etats-Unis
Numéro de téléphone : 858-942-2230

Cet appareil est conforme aux limites d'exposition aux rayonnements définies par la FCC énoncées pour un environnement non contrôlé, et respecte les lignes directrices d'exposition aux fréquences radioélectriques (RF) définies par la FCC. Cet appareil doit être installé et utilisé en gardant une distance d'au moins 20 cm ou plus entre l'élément rayonnant et le corps humain.

Conforme à la norme FCC 15.407(c)
La transmission des données est toujours initiée par le logiciel, puis les données sont transmises par l'intermédiaire du MAC, par la bande de base numérique et analogique et, enfin, à la puce RF. Plusieurs paquets spéciaux sont initiés par le MAC. Ce sont les seuls moyens pour qu'une partie de la bande de base numérique active l'émetteur RF, puis désactive celui-ci à la fin du paquet. En conséquence, l'émetteur reste uniquement activé lors de la transmission d'un des paquets susmentionnés. En d'autres termes, cet appareil doit interrompre automatiquement toute transmission en cas d'absence d'information à transmettre ou de défaillance.

Tolérance de fréquence : ±16 ppm

Les réglementations de la FCC limitent l'utilisation de cet appareil à une utilisation à l'intérieur uniquement. L'utilisation de cet appareil est interdite sur les plateformes pétrolières, dans les automobiles, les trains, les navires maritimes et les avions, sauf que l'utilisation de cet appareil dans une bande comprise entre 5,925 GHz et 6,425 GHz est autorisée dans les gros avions volant à plus de 3 048 m (10 000 pi) d'altitude.

L'utilisation d'émetteurs dans la bande 5,925 GHz – 7,125 GHz est interdite pour le contrôle ou les communications avec des systèmes aériens sans pilote.

#### Pour les clients au Canada

L'émetteur/récepteur exempt de licence contenu dans la présente unité est conforme aux CNR d'Innovation, Sciences et Développement économique Canada applicables aux deux conditions suivantes :

1) l'unité ne doit pas produire de brouillage ;
2) l'utilisateur de l'unité doit accepter tout brouillage radioélectrique subi, même si le brouillage est susceptible d'en compromettre le fonctionnement.

Cet appareil est conforme aux limites d'exposition aux rayonnements énoncées pour un environnement non contrôlé et respecte les règles d'exposition aux fréquences radioélectriques (RF) CNR-102 de l'ISDE. Cet appareil doit être installé et utilisé en gardant une distance de 20 cm ou plus entre le radiateur et le corps humain.

La bande 5 150 MHz – 5 350 MHz est restreinte à une utilisation à l'int

## Précautions

**Cordon d'alimentation**

- Le cordon d'alimentation secteur fourni est conçu uniquement pour cet appareil. Il ne doit pas être utilisé avec tout autre appareil.
- Débranchez le cordon d'alimentation secteur de la prise secteur si vous n'envisagez pas d'utiliser l'appareil pendant une période prolongée. Lorsque vous débranchez le cordon d'alimentation secteur, saisissez-le toujours par sa fiche. Ne tirez jamais sur le cordon lui-même.
- Si le cordon d'alimentation secteur est endommagé, contactez votre revendeur Sony le plus proche ou le magasin où vous avez acheté le produit pour le remplacer.

**Installation**

- Ne placez pas l'appareil à proximité d'une source de chaleur ou dans un endroit exposé aux rayons du soleil, à une poussière excessive ou à des chocs mécaniques.
- Placez cet appareil sur une surface plane, horizontale. Lorsqu'il est placé sur une surface inclinée, l'appareil peut se renverser ou tomber de cette surface à cause de ses propres vibrations, et entraîner des blessures, des dysfonctionnements ou une dégradation des performances.
- Soyez vigilant lorsque vous placez l'appareil sur une surface qui a subi un traitement spécial (avec de la cire, de l'huile, du polish, etc.), car cela risque de tacher ou de décolorer la surface.
- Les enceintes de cet appareil ne comportent aucun blindage magnétique. Ne posez pas de cartes magnétiques sur l'appareil ou à proximité de celui-ci.
- Ne placez aucun objet métallique autre qu'un téléviseur à proximité de l'appareil. Les fonctions sans fil peuvent être instables.

**Entretien de l'appareil**

- La poussière ou les salissures présentes sur le tissu doivent être retirées délicatement à l'aide d'un chiffon doux.
  - Gratter les salissures avec l'ongle ou exercer une pression trop forte sur le tissu risque de l'endommager
  - N'utilisez pas de brosse de nettoyage, etc., car selon le matériau dans lequel ce type d'ustensile est fabriqué, il peut endommager le tissu.
  - Si la partie en tissu est particulièrement sale, essuyez-la à l'aide d'un chiffon doux légèrement humidifié avec un détergent neutre, puis essuyez-la à nouveau à l'aide d'un chiffon doux et sec.
- L'utilisation de détergents ou de nettoyants autres que neutres peut entraîner une décoloration du tissu ou l'endommager.
- Essuyez le boîtier avec un chiffon doux humidifié avec un détergent doux. N'utilisez pas de tampon abrasif, ni de nettoyant ni de solvant, notamment de l'alcool ou du benzène.

**À propos des communications BLUETOOTH®**

- Les micro-ondes émises par un dispositif BLUETOOTH peuvent perturber le fonctionnement des dispositifs médicaux électroniques. Mettez hors tension cet appareil et les autres dispositifs BLUETOOTH dans les endroits suivants, car ils peuvent provoquer un accident :
  - dans les hôpitaux, à proximité des places réservées aux personnes à mobilité réduite à bord des trains, dans des locaux susceptibles de contenir des gaz inflammables, à proximité des portes automatiques ou d'armes incendie.

**Remarques relatives au transfert ou à la mise au rebut de l'appareil**

- Assurez-vous de réinitialiser l'appareil, en supprimant les données privées et les informations relatives aux réglages avant de transférer/mettre au rebut l'appareil. Si l'appareil est transféré ou mis au rebut sans avoir été réinitialisé au préalable, il se peut que des données privées soient consultées ou fassent l'objet d'une utilisation abusive par une tierce personne. Pour plus d'informations sur la méthode de réinitialisation, reportez-vous au Guide d'aide.

**Autres remarques**

- Si un corps étranger ou de l'eau pénètre dans l'appareil, éteignez l'appareil immédiatement, débranchez l'appareil de la prise secteur et consultez votre revendeur Sony le plus proche ou le magasin où vous avez acheté le produit.
- Traitement des données lié à la connexion Internet et à la mise à jour du logiciel système** Lorsque le produit se connecte à Internet, Sony Corporation (« Sony ») traite votre adresse IP. En outre, lorsque le produit doit être mis à jour afin de recevoir la dernière version du logiciel du système d'exploitation, d'afficher la Politique de confidentialité par l'intermédiaire de l'application « Sony | BRAVIA Connect » ou de recevoir des services tiers, Sony traite l'adresse IP, les informations relatives à la version de la Politique de confidentialité, la version du logiciel et le code pays/région associés à ce produit. Si vous vous opposez à ce que ces données soient traitées, ne configurez pas la fonction Internet sans fil. Veuillez noter que selon la législation de l'UE, la base légale régissant le traitement par Sony des données susmentionnées pour votre connexion Internet et la fourniture de mises à jour de logiciels est l'exécution du contrat que nous avons avec vous. Pour obtenir des informations complémentaires sur le traitement de vos données par Sony et vos droits en matière de confidentialité, nos coordonnées en cas de questions ou de problèmes, accédez à l'adresse suivante et lisez la Politique de confidentialité. https://ssh-app-config.data-gateways.eeds.services/hec/pp/hec\_pp\_index.html
- Lorsque vous connectez l'appareil à Internet, utilisez le routeur (modem ADSL ou terminal de ligne optique avec fonction de routeur fourni par le fournisseur Internet ou point d'accès LAN sans fil). Si vous vous connectez à Internet sans utiliser de routeur, un problème de sécurité peut survenir. Il si vous n'êtes pas certain que la prise murale de la ligne réseau possède une fonction de routeur, interrogez le gestionnaire de votre logement ou votre fournisseur Internet.
- Pour toute question ou tout problème concernant cet appareil n'apparaissant pas dans ce manuel, consultez votre revendeur Sony le plus proche.

## Utilisation

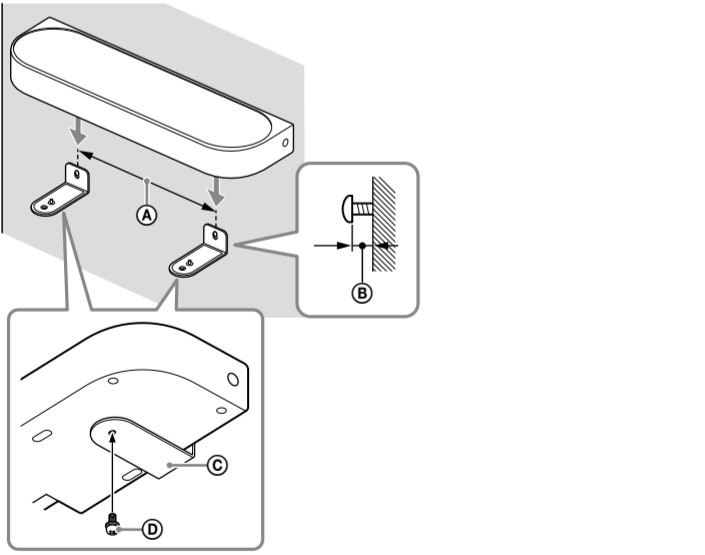
**L'installation, la connexion et le paramétrage initial de l'appareil doivent être effectués conformément aux instructions de l'application « Sony | BRAVIA Connect » installée sur votre smartphone.**
**Pour toute information complémentaire sur l'utilisation de l'appareil, veuillez consulter le Guide d'aide disponible à l'adresse mentionnée sur la couverture du document.**

## Fixation au mur

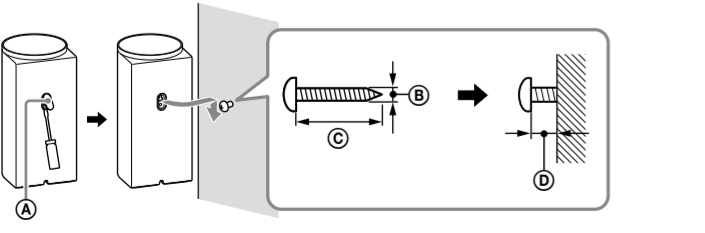
**Pour plus de détails et pour connaître les autres méthodes d'installation, référez-vous au guide d'aide disponible à l'adresse URL figurant sur la couverture du présent document.**

**Remarques**

- Assurez-vous d'utiliser les supports de fixation murale fournis lorsque vous installez l'enceinte centrale sur un mur. N'installez pas l'enceinte centrale directement sur un mur. La température à l'intérieur de l'enceinte centrale augmente considérablement, ce qui peut entraîner des dommages ou des dysfonctionnements.
- Suspendez l'enceinte centrale horizontalement sur un mur renforcé.
- Demandez à un revendeur Sony ou à un installateur agréé d'installer les enceintes de manière sécurisée et en tenant compte de la sécurité.
- Sony ne peut être tenue responsable de tout accident ou dommage causé par une installation incorrecte, un manque de stabilité de l'installation, une mauvaise utilisation ou une catastrophe naturelle.
- Pour des raisons de sécurité, au moins deux personnes doivent travailler ensemble pour installer l'enceinte centrale.
- Préparez des vis (non fournies) appropriées au matériau et à la dureté du mur. En fonction du matériau du mur, des vis inappropriées risquent d'endommager le mur.
- Attachez les vis de manière sécurisée dans la poutre murale.



- Ⓐ Distance entre les vis (disponibles dans le commerce) pour l'installation murale : 334 mm (13 1/8 po)
- Ⓑ Écart entre la tête de la vis d'installation murale et le mur : 3,5 mm à 4,5 mm (5/32 po à 3/16 po)
- Ⓒ Support de fixation murale (fourni)
- Ⓓ Vis (fournie)



- Ⓐ Cache (fourni)
- Ⓑ 4 mm (3/16 po)
- Ⓒ Plus de 30 mm (1 3/16 po) (env.)
- Ⓓ 11 mm (7/16 po) (env.)

### Éléments fournis

Enceinte (Centre) (1)
Enceinte (Avant gauche) (1)
Enceinte (Avant droite) (1)
Microphone de calibrage (USB Type-C®) (1)
Télécommande (1)
Pile (2)
CALIBRE DE MONTAGE MURAL (papier) pour l'enceinte centrale (1)
CALIBRE DE MONTAGE MURAL (papier) pour l'enceinte avant (2)
Support de fixation murale (2)
Pied (2)
Vis (2)
Câble HDMI (transmission 4K, 8K prise en charge) (1)
Cordon d'alimentation secteur pour l'enceinte centrale (1)
Cordon d'alimentation secteur pour l'enceinte avant (2)
Documents (1 jeu)

## Spécifications

**Enceinte centrale (YY2100C1)**

**Section LAN sans fil**

Système de communication

IEEE 802.11 a/b/g/n/ac/ax

Bande de fréquences

Bandes 2,4 GHz, 5 GHz, 6 GHz

**Section BLUETOOTH**

Bande de fréquences

Bande 2,4 GHz (2,400 0 GHz - 2,483 5 GHz)

**Section USB (uniquement pour la maintenance)**

Port FOR SERVICE

Type A (pour la connexion d'une clé USB)

**Section HDMI**

Connecteur

Type A (19 broches)

**Section transmetteur/récepteur sans fil**

Système de communication

Spécifications du son sans fil

Bande de fréquences

Bandes 5 GHz, 6 GHz

**Général**

Alimentation

120 V CA, 60 Hz

Consommation électrique

En fonctionnement : 31 W

Mode Mise en veille réseau (Mise en veille réseau/Bluetooth) réglé sur [OUI] : 3,5 W au maximum

Mode Mise en veille ([Mise en veille réseau/Bluetooth) réglé sur [NON] : 0,5 W au maximum

Lorsque [Signal Pass Through] est réglé sur [Non], ou lorsque [Signal Pass Through] est réglé sur [Auto] alors que le téléviseur connecté est éteint.

La modification des réglages de l'appareil décrits ci-dessous entraînera le dépassement de la valeur de la consommation électrique mentionnée ci-dessus.

– Réglage de [Signal Pass Through] sur [Oui]

– Réglage de [Signal Pass Through] sur [Auto] et de [Commande pour HDMI] sur [Non]

Lorsque la fonction [Mise en veille automatique] est activée, si le produit n'est pas utilisé et qu'aucun signal n'entre pendant 20 minutes environ, l'enceinte centrale passe automatiquement en mode Mise en veille réseau ou en mode Mise en veille.

La désactivation de la fonction [Mise en veille automatique] augmentera la consommation électrique de ce produit.

Dimensions (l × h × p)

Parties saillantes et commandes incluses.

Enceinte centrale : Env. 589 mm × 64 mm × 165 mm (23 1/4 po × 2 5/8 po × 6 1/2 po)

Enceinte centrale avec le pied : Env. 589 mm × 76 mm × 165 mm (23 1/4 po × 3 po × 6 1/2 po)

Enceinte centrale avec le support de fixation murale : Env. 589 mm × 72 mm × 178 mm (23 1/4 po × 2 7/8 po × 7 1/8 po)

Poids

Enceinte centrale : Env. 3,2 kg (7 lb 1 oz)

Enceinte centrale avec le pied : Env. 3,2 kg (7 lb 1 oz)

Enceinte centrale avec le support de fixation murale : Env. 3,6 kg (7 lb 15 oz)

**Enceinte avant (YY2100C2/ YY2100C3)**

Les descriptions suivantes correspondent aux spécifications d'une seule enceinte.

**Section transmetteur/récepteur sans fil**

Système de communication

Spécifications du son sans fil

Bande de fréquences

Bandes 5 GHz, 6 GHz

**Général**

Alimentation

120 V CA, 60 Hz

Consommation électrique

En fonctionnement : 26 W

Mode Mise en veille réseau (témoin d'alimentation allumé en rouge) : 1,8 W au maximum

Éteinte (témoin d'alimentation éteint) : 0,3 W au maximum

Lorsque vous maintenez LINK (LIEN) enfoncée pendant au moins 2 secondes et que vous relevez le doigt, l'enceinte bascule en mode Extinction et le témoin d'alimentation s'éteint.

Appuyez sur LINK (LIEN) pour utiliser l'enceinte à nouveau.

Dimensions (l × h × p)

Parties saillantes et commandes incluses.

Env. 160 mm × 337 mm × 165 mm (6 3/8 po × 13 3/8 po × 6 1/2 po)

Poids

Env. 3,6 kg (7 lb 15 oz)

**Microphone de calibrage (ECM-AC4)**

Directivité

Omnidirectionnel

Bande de fréquences effective

30 Hz - 16 kHz

Connecteur

Port USB Type-C®

Alimentation

Alimentation par prise (5 V CC, 30 mA)

Dimensions (l × h × p)

Connecteur USB Type-C® non inclus.

Env. 70 mm × 12 mm × 12 mm (2 7/8 po × 1/2 po × 1/2 po)

Poids

Env. 6 g (1 oz)

La conception et les spécifications peuvent être modifiées sans avis préalable.

Les fréquences radio disponibles varient en fonction de l'appareil connecté.

## Marques

- La marque et les logos BLUETOOTH® sont des marques commerciales déposées appartenant à Bluetooth SIG, Inc. et toute utilisation de ces marques par Sony Group Corporation et ses filiales est sous licence.
- USB Type-C® et USB-C® sont des marques commerciales déposées d'USB Implementers Forum.
- Les termes HDMI™, HDMI High-Definition Multimedia Interface, l'habillage commercial HDMI et les logos HDMI sont des marques commerciales ou des marques déposées de HDMI Licensing Administrator, Inc.
- LDAC et le logo LDAC sont des marques de Sony Group Corporation ou de ses filiales.

Toutes les autres marques et marques déposées sont des marques ou des marques déposées de leurs détenteurs respectifs. Les symboles ™ et ® n'apparaissent pas dans ce manuel.

### Licences

- Ce produit contient des logiciels utilisés par Sony dans le cadre d'un contrat de licence conclu avec le propriétaire de ses droits d'auteur. Nous sommes tenu d'annoncer le contenu du contrat aux clients, conformément à l'accord passé avec le propriétaire des droits d'auteur du logiciel. Veuillez cliquer sur le lien et lire le contenu de la licence. https://rd1.sony.net/help/ht/sl/26b/
- Le logiciel inclus dans ce produit contient un logiciel protégé par le droit d'auteur et couvert par une licence GPL/LGPL et d'autres licences qui peuvent nécessiter un accès au code source. Conformément à la GPL/LGPL, vous trouverez une copie du code source correspondant (et d'autres licences) à l'adresse suivante. Conformément à la GPL/LGPL, vous pouvez obtenir le code source sur un support physique, pendant une période de trois ans suivant la sortie de la dernière version de ce produit, en formulant votre demande à l'adresse suivante. Cette offre est valable pour toute personne recevant ces informations. https://oss.sony.net/Products/Linux/ Veuillez noter que Sony ne peut pas répondre aux demandes de renseignements portant sur le contenu du code source.
- Le logiciel Spotify est soumis à des licences tierces disponibles ici : https://www.spotify.com/connect/third-party-licenses.
- Dolby, Dolby Vision, Dolby Atmos et le symbole double-D sont des marques de Dolby Laboratories Licensing Corporation. Fabriqué sous licence de Dolby Laboratories. Travaux confidentiels et non publiés. Copyright © 2012-2024 Dolby Laboratories. Tous droits réservés.
- Fabriqué sous licence d'IMAX Corporation. IMAX® est une marque déposée d'IMAX Corporation aux États-Unis et/ou dans d'autres pays. Pour les brevets de DTS, consultez http://xperi.com/dts-patents/. Fabriqué sous licence de DTS, Inc. et ses filiales. DTS, DTS:X, et le logo DTS:X sont des marques déposées ou des marques de DTS, Inc. et de ses filiales aux États-Unis et/ou dans d'autres pays. © DTS, Inc. et ses filiales. TOUS DROITS RÉSERVÉS.
- Les services proposés par des tiers peuvent être modifiés, suspendus ou clôturés sans avis préalable. Sony n'assume aucune responsabilité dans ce genre de situation.

**dts****x**

**IMAX**  
ENHANCED



COMPATIBLE WITH

**Dolby** Vision

**Dolby** Atmos

