

BUILT-IN OVEN

USER MANUAL

MBO65M90D2-SS

Warning notices: Before using this product, please read this manual carefully and keep it for future reference. The design and specifications are subject to change without prior notice for product improvement. Consult with your dealer or manufacturer for details. The illustration is for reference only. Please take the appearance of the actual product as the standard.

THANK YOU LETTER

Thank you for choosing Midea! Before using your new Midea product, please read this manual thoroughly to ensure that you know how to operate the features and functions that your new appliance offers in a safe way.

CONTENTS

THANK YOU LETTER	01
IMPORTANT SAFETY INSTRUCTIONS	02
SPECIFICATIONS	05
PRODUCT OVERVIEW	06
PRODUCT INSTALLATION	10
OPERATION INSTRUCTIONS	15
CLEANING AND MAINTENANCE	19
TROUBLESHOOTING	21
DISPOSAL AND RECYCLING	22

IMPORTANT SAFETY INSTRUCTIONS

Intended use

The following safety guidelines are intended to prevent unforeseen risks or damage from unsafe or incorrect operation of the appliance. Please check the packaging and appliance on arrival to make sure everything is intact to ensure safe operation. If you find any damage, please contact the retailer or dealer. Please note modifications or alterations to the appliance are not allowed for your safety concern. Unintended use may cause hazards and loss of warranty claims.

Explanation of symbols



Danger

This symbol indicates that there are dangers to the life and health of persons due to extremely flammable gas.



Warning of electrical voltage

This symbol indicates that there is a danger to life and health of persons due to voltage.



Warning

This symbol indicates a hazard with a medium level of risk which, if not avoided, may result in death or serious injury.



Caution

This symbol indicates a hazard with a low degree of risk which, if not avoided, may result in minor or moderate injury.



Attention

This symbol indicates important information (e.g. damage to property), but not danger.



Observe instructions

This symbol indicates that a service technician should only operate and maintain this appliance in accordance with the operating instructions.

Read these operating instructions carefully and attentively before using/commis-
sioning the unit and keep them in the immediate vicinity of the installation site or
unit for later use!

READ CAREFULLY AND KEEP FOR FUTURE REFERENCE

- This appliance is not intended for use by persons (including children) with reduced physical, sensory or mental capabilities, or lack of experience and knowledge, unless they have been given supervision or instruction concerning use of the appliance by a person responsible for their safety.
- Children should be supervised to ensure that they do not play with the appliance.
- During use the appliance becomes hot. Care should be taken to avoid touching heating elements inside the oven.
- **WARNING:** The appliance and its accessible parts become hot during use. Care should be taken to avoid touching heating elements. Children less than 8 years of age shall be kept away unless continuously supervised.
- **WARNING:** Accessible parts may become hot during use. Young children should be kept away.
- Do not use harsh abrasive cleaners or sharp metal scrapers to clean the oven door glass since they can scratch the surface, which may result in shattering of the glass.
- Steam cleaner is not to be used.
- The appliance must not be installed behind a decorative door in order to avoid overheating.
- This appliance can be used by children aged from 8 years and above and persons with reduced physical, sensory or mental capabilities or lack of experience and knowledge if they have been given supervision or instruction concerning use of the appliance in a safe way and understand the hazards involved. Children shall not play with the appliance. Cleaning and user maintenance shall not be made by children without supervision.
- Keep the appliance and its cord out of reach of children less than 8 years.
- Don't use under the work surface and that it must not be subject to spillage from containers onto surfaces under which the appliance is installed.
- **WARNING:** Ensure that the appliance is switched off before replacing the lamp to avoid the possibility of electric shock.
- If the supply cord is damaged, it must be replaced by the manufacturer, its service agent or similarly qualified persons in order to avoid a hazard. (Model with power cord and plug)

- Only use the temperature probe recommended for this oven. (Model with probe)
- This product is designed specifically for household heating and cooking of food and is not suitable for other purposes.
- After unpacking, do not leave the packaging bags where infants and young children can reach them.
- The appliance must be installed and commissioned by authorized technical personnel. The manufacturer is not responsible for any damage caused by unauthorized installation or improper placement.
- Do not place any items on the oven door, as this may cause the appliance to become unbalanced or damage the door.
- If smoke is detected, turn off the appliance or unplug it and keep the oven door closed to suppress the spread of flames.
- The appliance must not be operated with an external timer or a separate remote control system.
- If the appliance is not used for an extended period, unplug it from the power outlet to prevent leakage or fire caused by aging of the power cord.
- The appliance will become hot during use; avoid contact with the heating elements inside the oven.
- To avoid burns, after cooking is complete, open the oven door slightly to let the hot air dissipate, and use heat-resistant gloves to remove the food.
- Failure to clean the appliance may lead to surface deterioration, which can affect the appliance's lifespan and may result in dangerous situations.
- The grease generated during cooking can corrode the cavity, affect heating performance, and alter the taste of food. Therefore, clean the appliance promptly after use.
- Do not use poor-quality cleaning agents or corrosive, volatile chemical solvents to wipe the oven.

SPECIFICATIONS

ENERGY EFFICIENCY

Product Information and Product Information Sheet according to EU and UK Ecodesign and Energy Labelling Regulations

Supplier's name	Midea
Model identification	MBO65M90D2-SS
Energy Efficiency Index	81.2
Energy efficiency class	A+
Energy consumption with a standard load, conventional mode	0.99kWh/cycle*
Energy consumption with a standard load, fan-forced mode	0.69kWh/cycle*
Number of cavities	1
Heat source	Electricity
Volume	71L
Type of oven	Built-in Oven
RATED VOLTAGE	220-240V~
RATED FREQUENCY	50-60Hz
ELECTRIC POWER	3.0 kW

ENERGY CONSUMPTION

Product information for power consumption and maximum time to reach applicable low power mode.

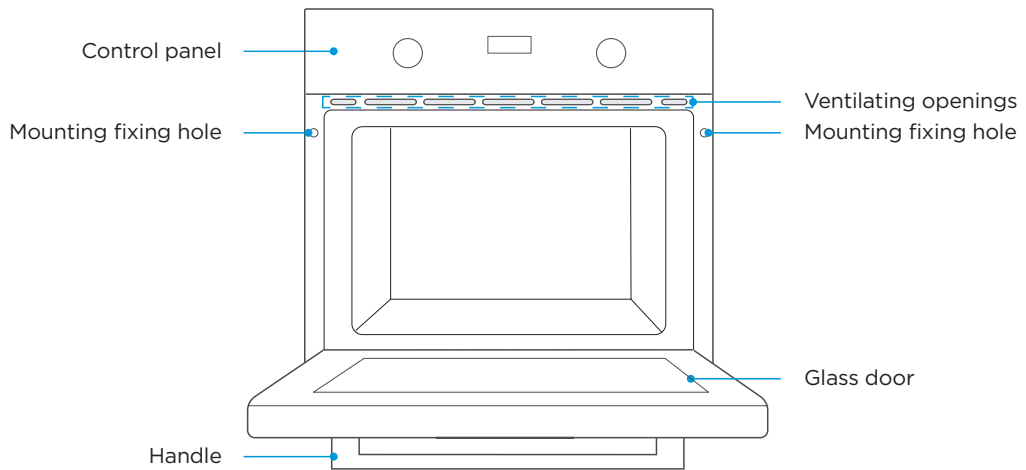
Standby mode	0.8 W
The maximum time needed for the oven to automatically reach the applicable low power mode or condition	20 minutes

PRODUCT OVERVIEW

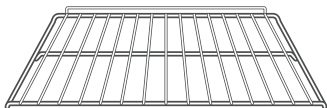
Oven

When removing food, please wear heat insulating gloves to prevent burns!

To avoid burns, after cooking is complete, open the oven door slightly to let the hot air dissipate, and use heat-resistant gloves to remove the food.

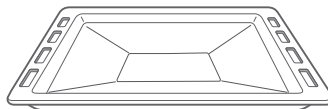


Accessories



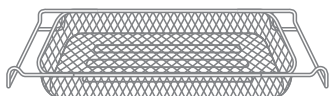
Grill rack

Grill food or place heat-resistant cooking containers



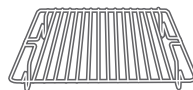
Grill tray

Cook large portions of food or catch food scraps



Air fry basket

Air fry function-specific

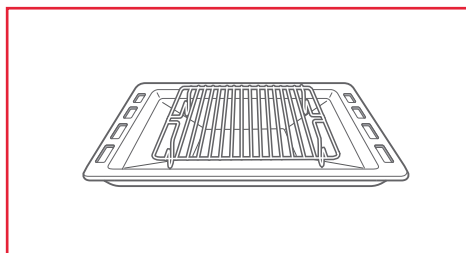
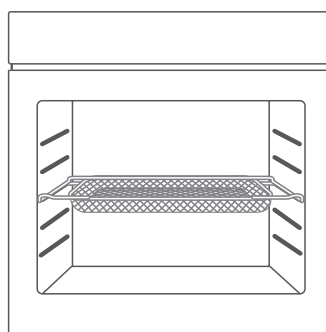
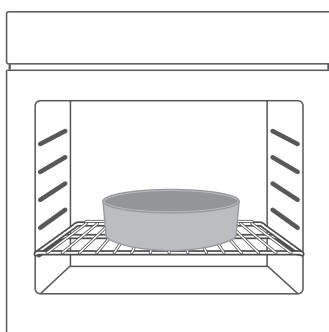
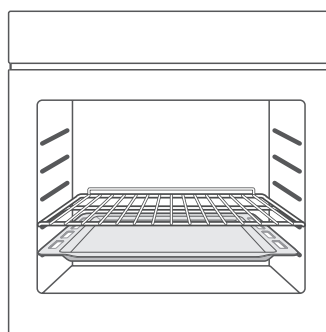
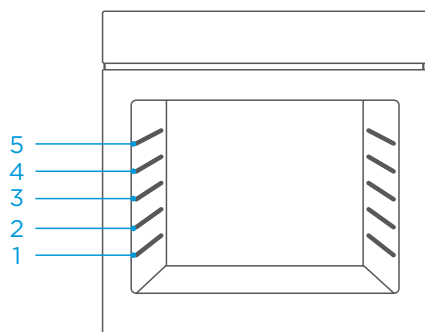


Small grill rack

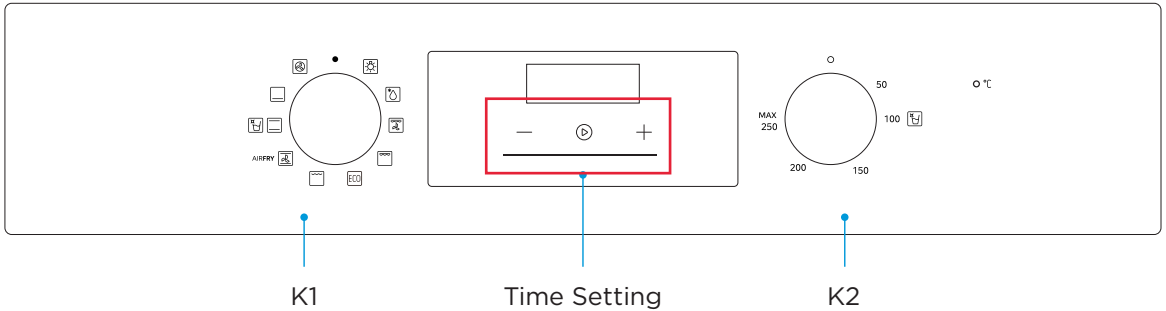
Cook smaller portions of food












Accessories

For the oven to work properly, the grill rack and grill tray should only be placed between the first and fifth levels. When used together, place the grill tray under the grill rack.



Control Panel



Function	Function introduction
 Lamp	The cooking process can be observed under illuminated conditions. Except ECO function.
 Defrost	The circulation of air at room temperature enables quicker thawing of frozen food (without the use of any heat).
 Double grill with fan	The radiant heating element and top heating element are working with fan.
 Double grill	The radiant heating element and top heating element are working.
 Single grill	The inner grill element switches on and off to maintain temperature. Can be used to grill a small number of food.
 Conventional+fan	The combination of fan and the top and bottom heating elements provides more even heat penetration and coloration, primarily for cooking meat.
 Conventional	The top and bottom heating elements work together to provide convectional cooking.
 Bottom heating	Heating is provided by heating pipes at the bottom of the oven. Mainly used for keeping warm and the coloring of the food.
 Convection	In convection mode, the fan turns on automatically to provide even heat for single or multi-layer baking. This is particularly suitable for baking foods that require even coloring.
 ECO	For energy-saving cooking. Cooking the selected ingredients in a gentle manner, and the heat comes from the top and the bottom.
AIRFRY Air Fry	Air Fry is a special cooking mode that is designed to provide fast and even heat distribution. The hot air also takes away the moisture on the surface of the food, generating crunchy and crispy frying.
 Water clean	Steam softens food residue or grease in the cavity.

PRODUCT INSTALLATION

Installation Important Instructions

Content that means [mandatory]

1. The safe operation of this appliance can only be guaranteed if it has been installed to a professional standard by these installation instructions. The installer shall be liable for any damage resulting from incorrect installation.
2. The entire installation process requires two professional installers. Wear dry protective gloves during installation to avoid scratches or electric shock.
3. Fitted units must be heat-resistant up to 90°C, and adjacent unit fronts up to 70°C.

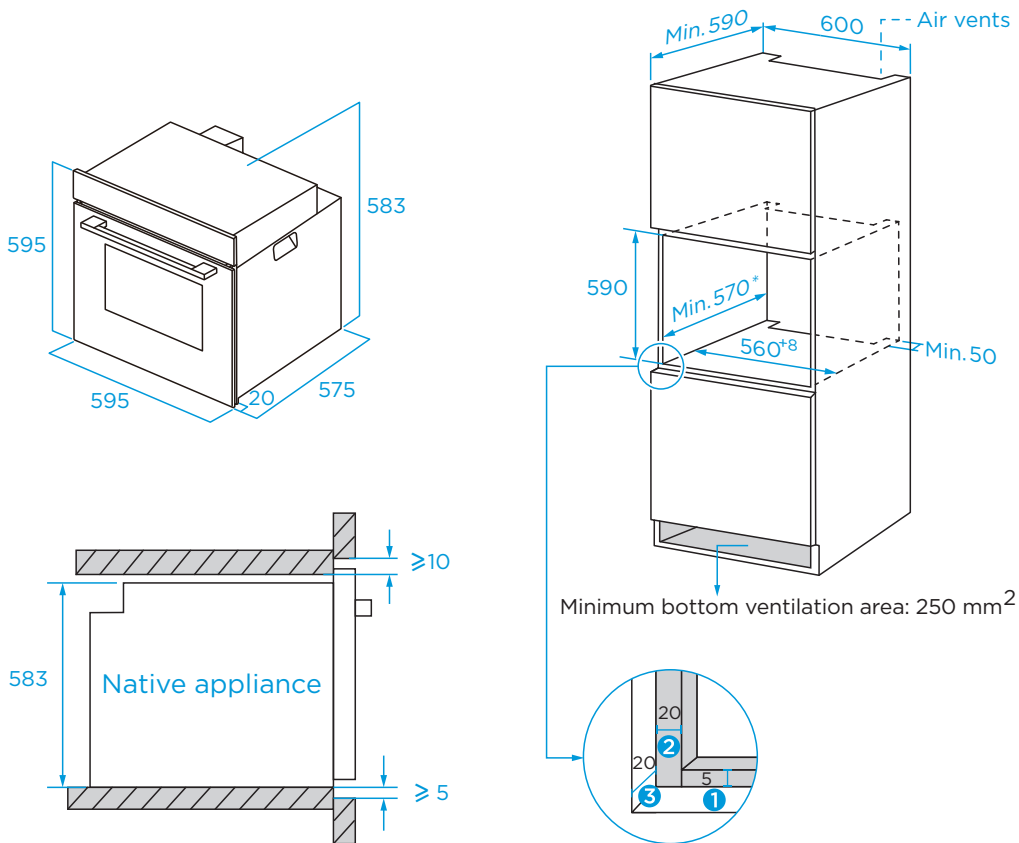
Content that means [prohibit]

1. Do not install the appliance behind a decorative door or the door of a kitchen unit, as this may cause the appliance to overheat.
2. Check the appliance for damage after unpacking it. Do not connect the appliance if it has been damaged in transit.
3. Do not block the vent of the appliance and the gap between the cupboard and the appliance.
4. Use extreme caution when moving or installing the appliance. It is very heavy, do not lift the appliance by the door handle.
5. If the power cord or power plug is damaged, stop using the appliance immediately, to avoid fire, electric shock or other injuries.

Content that means [note]

1. Be very careful when moving or installing the appliance to avoid damage to the appliance or damage to the cupboards.
2. Before starting up the appliance, remove all packaging materials and accessories from the cavity.
3. The power socket shall be accessible to users (such as next to the cupboard) for easy power-off.
4. After installation is complete, make sure that the power plug is firmly inserted into the socket.
5. Please refer to the "Cupboard Diagram" for the requirements of net depth of the cupboard. The clearance between the cupboard bottom board and the rear board (or wall) shall not be less than 50 mm.

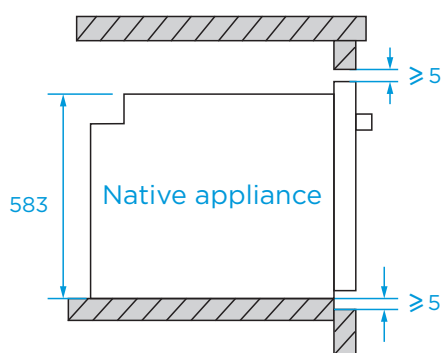
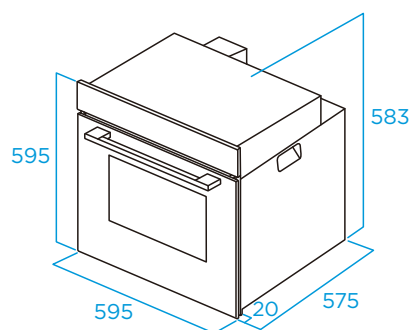
Cupboard Diagram (Standing Cupboard)



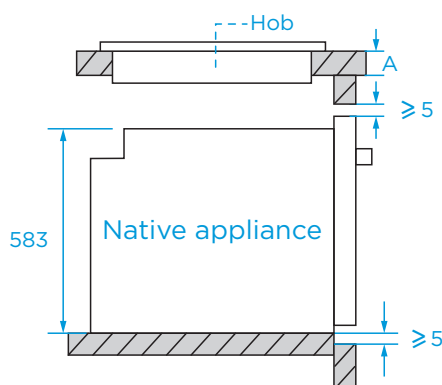
- ❶ Reserve 5 mm for the door panel at the top and bottom respectively.
- ❷ Reserve 20 mm for the door panel on the left and right respectively.
- ❸ Reserve 20 mm for the door panel in thickness.

1. The thickness of the cupboard board is 20 mm.
2. If the power socket is installed on the back of the appliance, the depth of the cupboard opening shall be increased from a minimum of 590 mm to 620 mm.
3. The dimensions in the figures are in mm.

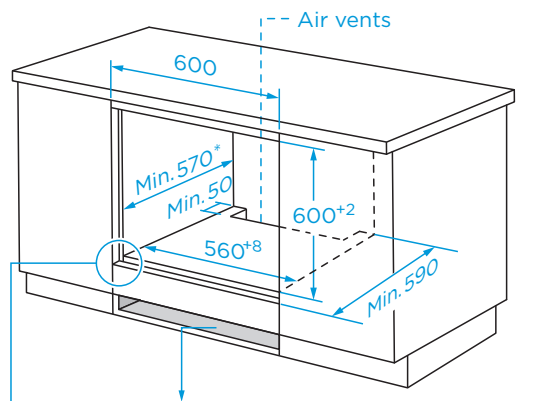
Cupboard Diagram (Ground Cupboard)



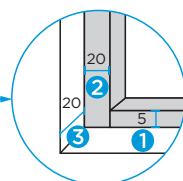
Without hob



With hob



Minimum bottom ventilation area: 250 mm²



- ① Reserve 5 mm for the door panel at the top and bottom respectively.
- ② Reserve 20 mm for the door panel on the left and right respectively.
- ③ Reserve 20 mm for the door panel in thickness.

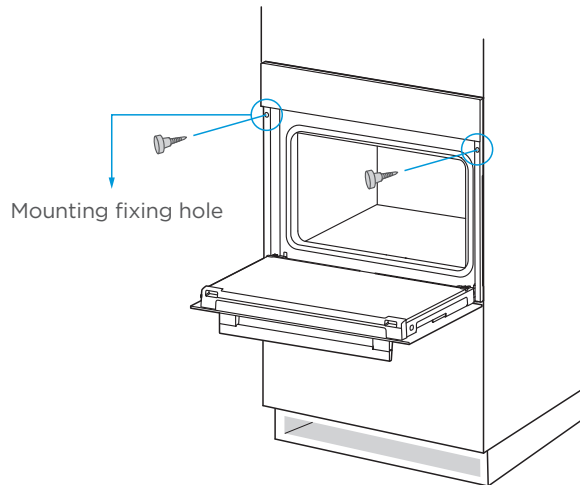
If the appliance is installed under the hob, the minimum thickness of worktop A is shown below:

Hob type	worktop A
Induction hob	37 mm
Full-surface induction hob	47 mm
Gas hob	30 mm
Electric hob	27 mm

1. The thickness of the cupboard board is 20 mm.
2. If the power socket is installed on the back of the appliance, the depth of the cupboard opening shall be increased from a minimum of 590 mm to 620 mm.
3. The dimensions in the figures are in mm.

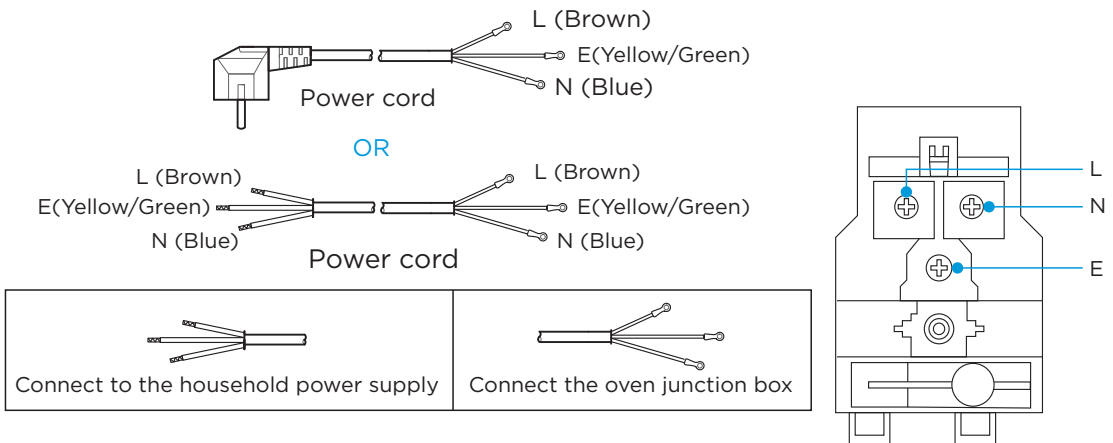
Installation steps

1. Please customize the cupboard according to the "Cupboard Diagram".
2. Before installation, please check for normal power sockets and appropriate grounding, and check whether the cupboard dimension meets the installation requirements.
3. Place the appliance in designated locations in the kitchen, install it in a vertical cupboard, and connect the power supply.
4. To locate the mounting fixing holes, open the appliance door and look at the side frame of the appliance (position shown above).
5. Fix the appliance on the Cupboard with two screws.



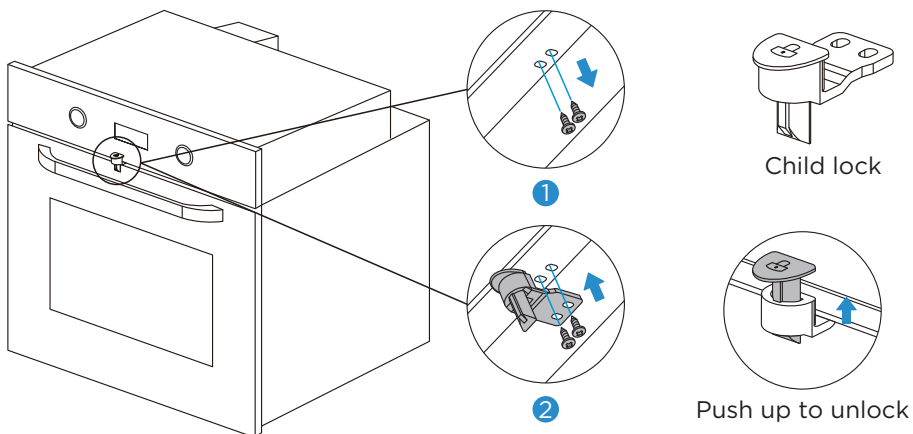
Power cord connection (Only for some models)

1. Please use a screwdriver to open the junction box on the back of the machine.
2. Please connect according to the polarity (L, N, E) as shown in the diagram.
3. When installing, a full-pole disconnect switch is required, with a minimum distance of 3mm between the contacts of the full-pole switch. (Only applicable to models equipped with a power cord but without a plug.)
4. Means for disconnection must be incorporated in the fixed wiring in accordance with the wiring rules. (Only applicable to models not equipped with a power cord and plug.)
5. **Important:** The power cord placement should avoid the heat dissipation vents at the back of the oven.



Child lock installation (Only for some models)

1. Remove the two screws at the bottom of the control panel.
2. Use the two removed screws to install the child lock at the bottom of the control panel.



OPERATION INSTRUCTIONS

First Use

1. Before using it for the first time, please clean the oven and accessories to a certain extent. Remove the oven packaging shipping protection parts. Remove all accessories (eg: baking trays, grills, foam, etc.) from the cavity.
2. Thoroughly clean the attachment with soapy water and a rag or soft brush.
3. Wipe the cavity and oven surfaces with a soft damp cloth.
4. To avoid fire, please make sure that the cavity is free of any remaining packing materials and accessories when using it for the first time.
5. When using it for the first time, keep the kitchen highly ventilated (open the hood and windows). During this time, keep children and pets out of the kitchen and keep the doors of adjacent rooms closed.
6. When the oven is started for the first time, it may emit an unpleasant odor. This is caused by the heating of the anti-corrosion coating on the oven's heating elements and is normal. To remove the odor, please run the following mode:

Oven Mode	Temperature	Time
— — Conventional	250°C	0.5 Hour

Setting the clock

When the oven is connected to the power supply for the first time, you need to set the clock.

Note: The clock is a 24-hour clock.

1. Press the " — " or " + " key to adjust the hour setting.
2. Press the " ⏪ " key to confirm the hour setting.
3. Press the " — " or " + " key to adjust the minute setting.
4. Press the " ⏪ " key to complete the clock setting.

Regular operation


1. Turn knob K1 to select the oven functions.
2. Turn knob K2 to adjust the temperature.
3. Mode setting.
4. When cooking is finished, turn all knobs to the closed position.

Notes

1. After cooking, the cooling fan of the whole machine will continue to work to dissipate heat until the cavity is below the safe temperature.
2. The oven lamp is a main function, which is used by users to observe the cooking state of food and to check the oil stains and residues in the cavity when cleaning. After turning on the oven lamp function, you need to turn it off actively before the oven can return to the standby state.

Mode setting

In standby mode, press and hold the "" key for 3 seconds to enter manual mode, the "" icon will light up.

Under manual mode, press the "" key to enter the time mode selection: manual → minute minder → dur → End → manual.

The automatic cooking modes that can be set are semi-automatic: dur or End.


If the display does not show the icon "", the oven will not work or heat up.

The oven will only work or heat up if the display shows icon "".



Notes

1. Manual mode - the cooking time is controlled by the user.
2. Minute minder - you can set an audible reminder for the time period of completion.
3. Dur - you can set the oven so it will cook for a desired time range.
4. End - you can set the oven so it will cook to a desired time.

Manual mode



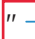
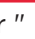



In manual mode, only the day's time and the symbol "" lights up. The oven is always in working order and the cooking time is controlled by the user.

Notes

1. In manual mode, after 5 hours of no operation, the displayed time starts to flash. After 10 hours without any operation, return to the standby state.
2. When the time is flashing, if you want to use the manual mode again, please press the "" or "" key.



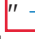


Minute minder

This mode is only used as a reminder function.

1. Press " " key to select the minute minder function. The relevant " " " ■ " symbol will flash.
2. Press the " " or " " key to enter the alarm clock time setting (the setting method is the same as "Clock Setting").
3. After setting, press the " " key to confirm the alarm clock setting, and the " " icon is always on.
4. When the time is up, the buzzer beeps to remind you, and the " " symbol on the screen begins to blink. At this point, press any key to cancel the reminder.







Cooking dur time

If the dur mode is set for 1 hour, cooking ends after 1 hour.

1. Press the " " key continuously until the screen shows "dur".
2. Press the " " or " " key to enter the dur mode time setting (the setting method is the same as "Clock Setting"). The maximum setting time is 10 hours.
3. After confirming the time setting, press the " " key to start. At this time, the icons " " and "A" are always on.
4. If the dur mode is set for 1 hour, the buzzer sounds after 1 hour to indicate the end of cooking and the icon "A" flashes.
5. At this point, press any key to return to standby, stop the chirping alert and the icon "A" disappears.

Cooking End time

Cooking starts at the current time and ends at the set clock time.

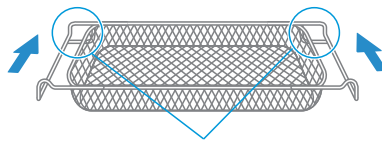
1. Press the " " key continuously until the screen shows "End".
2. Press the " " or " " key to enter the End mode time setting (the setting method is the same as "Clock Setting").
3. After confirming the time setting, press the " " key to start. At this time, the icons " " and "A" are always on.
4. When the End time is the same as the system clock time, the buzzer will sound, indicating the end of cooking. The icon " " disappears and the icon "A" flashes.
5. At this point, press any key to return to standby, stop the chirping alert and the icon "A" disappears.

Air Fry

Air Fry is a special cooking mode that is designed to provide fast and even heat distribution. The hot air also takes away the moisture on the surface of the food, generating crunchy and crispy frying. Follow the recipe or user manual for setting temperature and time.

1. Turn knob **K1** to select the “**AIR FRY**”.
2. Turn knob **K2** to adjust the temperature.
3. Mode setting.
4. When cooking is finished, turn all knobs to the closed position.

Menu name	Weight	Time	Temperature	Preheat
Potato wedges	500g	20min	230°C	Yes (250°C)
French Fries	500g	20min	250°C	Yes (250°C)
Air fry Salmon	400g	13min	250°C	Yes (250°C)
Air fry Bacon	200g	7min	250°C	Yes (250°C)
Air fry Fried fish fillet	400g	10min	250°C	Yes (250°C)



This end faces inward.



Notes

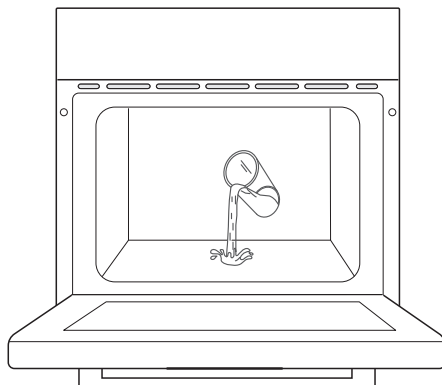
1. Please put the food in the oven after preheating.
2. Please use the Air fry basket and put it to the third floor of the oven and push it to the bottom.

CLEANING AND MAINTENANCE

Cleaning

Disconnect the power supply before cleaning and maintenance.
In order to ensure the life of the oven, it should be thoroughly cleaned frequently.
The cleaning steps are as follows:

1. After cooking, wait for the oven to cool completely.
2. Remove oven accessories, rinse with warm water and dry.
3. Remove food residues and oil stains from the oven cavity.
4. Clean the oven surface with a soft cloth dampened with detergent and dry.
5. Start the water clean function as follows:
 - 1). Add about 250 ml of purified water and an appropriate amount of dish soap to the cavity and stir well.
 - 2). With the oven door closed, turn Knob K1 to the "  " position.
 - 3). Turn knob K2 to the "100°C" position.
 - 4). Select dur mode and set the time to 30 minutes.
 - 5). Press the "  " key to start.
6. After the water clean function is completed, wait for the oven to cool completely.
Then dry the furnace oven cavity with clean absorbent sponge or soft cloth.

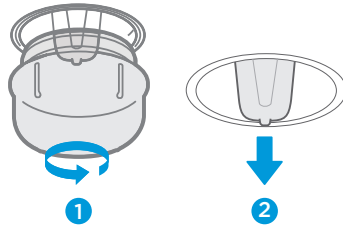


Notes

1. Do not use sharp cleaning tools, hard brush and corrosive cleaning products, so as not to damage the oven and its accessories.
2. Do not use rough scrubbing agent or sharp metal spatula to clean the door glass.

Lamp Replacement

1. To prevent the lamp from being damaged, put a towel in the cavity.
2. Turn counterclockwise to remove the glass cover.
3. Pull out the wick and replace it (don't turn it).
4. Install the glass cover back and take out the towel.
5. The product contains a light source of energy efficiency class:G.



Warning

To avoid electric shocks-please ensure that the electricity supply to the appliance is switched off and the appliance is fully cold. before removing the lamp lens.

TROUBLESHOOTING

If the problem cannot be solved or other problems occur, please contact the after-sales service.

Problem	Possible reason	Solution
Unable to start	<ul style="list-style-type: none"> • Power is not connected 	<ul style="list-style-type: none"> • connect power supply
	<ul style="list-style-type: none"> • The main power switch is not turned on 	<ul style="list-style-type: none"> • Turn on the power switch
	<ul style="list-style-type: none"> • The oven door is not closed 	<ul style="list-style-type: none"> • Close the oven door
The lamp does not come on	<ul style="list-style-type: none"> • It's broken 	<ul style="list-style-type: none"> • Contact after-sales service
Has a pungent odour or smoke	<ul style="list-style-type: none"> • first use 	<ul style="list-style-type: none"> • No processing required
The food is not cooked	<ul style="list-style-type: none"> • Temperature is too low 	<ul style="list-style-type: none"> • Use a higher temperature
	<ul style="list-style-type: none"> • Food portion is too large 	<ul style="list-style-type: none"> • Cook food in smaller pieces or extend the cooking time.
Burnt or uneven food	<ul style="list-style-type: none"> • The temperature is set too high or the heating time is too long 	<ul style="list-style-type: none"> • Adjust the cooking temperature or time
	<ul style="list-style-type: none"> • The food is too close to the heating tube 	<ul style="list-style-type: none"> • Adjust the placement layers of accessories
The fan did not stop working after stopping the heating	<ul style="list-style-type: none"> • Fan delays blowing for heat dissipation 	<ul style="list-style-type: none"> • No processing required

DISPOSAL AND RECYCLING

Important instructions for the environment

Compliance with the WEEE Directive and Disposing of the Waster Product:
This product complies with the EU WEEE Directive (2012/19/EU). This product bears a classification symbol for waster electrical and electronic equipment (WEEE).

This symbol indicates that this product shall not be disposed with other household wastes at the end of its service life. Used devices must be returned to the official collection point for the recycling of electrical electronic devices. To find these collection systems please contact to your local authorities or retailer where the product was purchased. Each household performs an important role in recovering and recycling old appliances. Appropriate disposal of used appliances helps prevent potential negative consequences for the environment and human health.



Compliance with RoHS Directive

The product you have purchased complies with the EU RoHS Directive (2011/65/EU). It does not contain harmful and prohibited materials specified in the Directive.

Package information

The packaging materials of the product are manufactured from recyclable materials by our National Environment Regulations. Do not dispose of the packaging materials together with the domestic or other wastes. Take them to the packaging material collection points designated by the local authorities.





make yourself at home



www.midea.com

© Midea 2025 all rights reserved