

BUILT-IN OVEN

Instruction Manual

MBO65M90M1-BK
MBO65M90M1-SS

Warning notices: Before using this product, please read this manual carefully and keep it for future reference. The design and specifications are subject to change without prior notice for product improvement. Consult with your dealer or manufacturer for details. The illustration is for reference only, please refer to the actual product appearance.

THANK YOU LETTER

Thank you for choosing Midea! Before using your new Midea product, please read this manual thoroughly to ensure that you know how to operate the features and functions that your new appliance offers in a safe way.

CONTENTS

IMPORTANT SAFETY INSTRUCTIONS	IMPORTANT SAFETY INSTRUCTIONS	01-03
PRODUCT INSTALLATION	Cupboard Diagram (Standing Cupboard)	04
	Cupboard Diagram (Ground Cupboard)	05
	Installation Important Instructions	06
	Installation steps	07
PRODUCT INTRODUCTION	Oven	08
	Accessories	08
	Accessories uses	09
	Control Panel	10
	Before using for the first time	11
	Regular operation	11
CLEANING AND MAINTENANCE	Cleaning	12
	Lamp Replacement	13
TROUBLESHOOTING	TROUBLESHOOTING	14
SPECIFICATIONS	SPECIFICATIONS	15
PRODUCT RECYCLING	PRODUCT RECYCLING	16

IMPORTANT SAFETY INSTRUCTIONS

Intended use

The following safety guidelines are intended to prevent unforeseen risks or damage from unsafe or incorrect operation of the appliance. Please check the packaging and appliance on arrival to make sure everything is intact to ensure safe operation. If you find any damage, please contact the retailer or dealer. Please note modifications or alterations to the appliance are not allowed for your safety concern. Unintended use may cause hazards and loss of warranty claims.

Explanation of symbols



Danger

This symbol indicates that there are dangers to the life and health of persons due to extremely flammable gas.



Warning of electrical voltage

This symbol indicates that there is a danger to life and health of persons due to voltage.



Warning

The signal word indicates a hazard with a medium level of risk which, if not avoided, may result in death or serious injury.



Caution

The signal word indicates a hazard with a low degree of risk which, if not avoided, may result in minor or moderate injury.



Attention

The signal word indicates important information (e.g. damage to property), but not danger.



Observe instructions

This symbol indicates that a service technician should only operate and maintain this appliance in accordance with the operating instructions.

Read these operating instructions carefully and attentively before using/commissioning the unit and keep them in the immediate vicinity of the installation site or unit for later use!

READ CAREFULLY AND KEEP FOR FUTURE REFERENCE

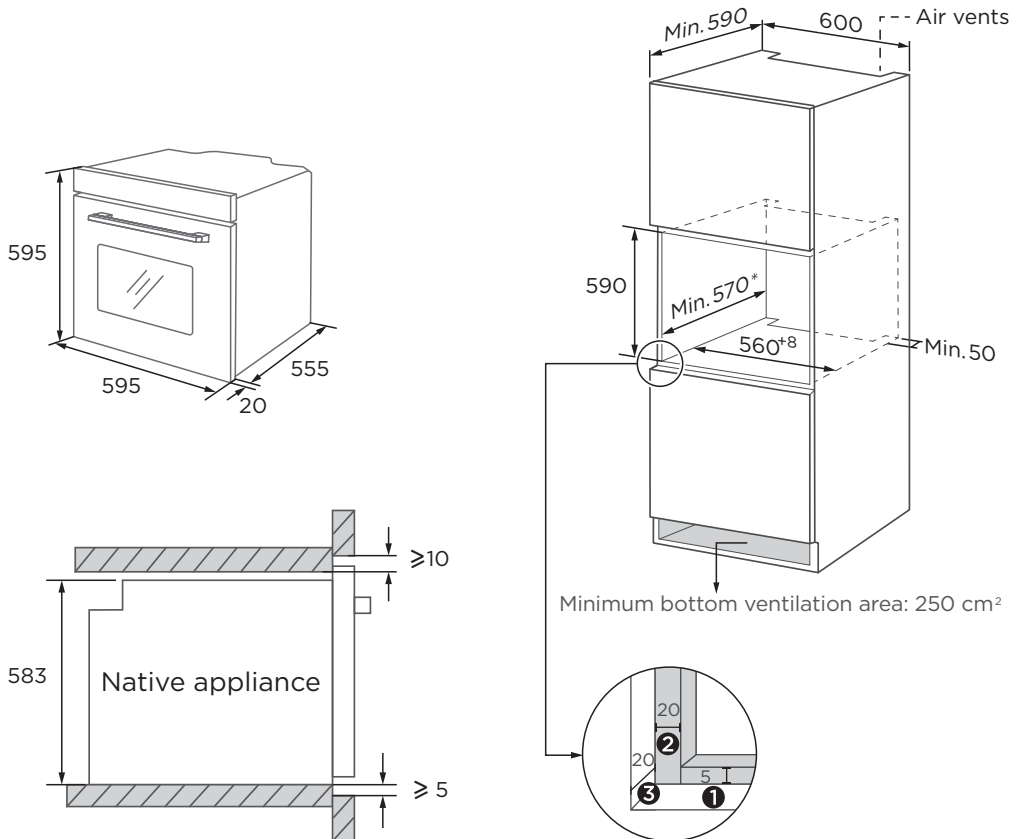
- This appliance is not intended for use by persons (including children) with reduced physical, sensory or mental capabilities, or lack of experience and knowledge, unless they have been given supervision or instruction concerning use of the appliance by a person responsible for their safety.
- Children should be supervised to ensure that they do not play with the appliance.
- During use the appliance becomes hot. Care should be taken to avoid touching heating elements inside the oven.
- **WARNING:** The appliance and its accessible parts become hot during use. Care should be taken to avoid touching heating elements. Children less than 8 years of age shall be kept away unless continuously supervised.
- **WARNING:** Accessible parts may become hot during use. Young children should be kept away.
- Do not use harsh abrasive cleaners or sharp metal scrapers to clean the oven door glass since they can scratch the surface, which may result in shattering of the glass.
- Steam cleaner is not to be used.
- The appliance must not be installed behind a decorative door in order to avoid overheating.
- This appliance can be used by children aged from 8 years and above and persons with reduced physical, sensory or mental capabilities or lack of experience and knowledge if they have been given supervision or instruction concerning use of the appliance in a safe way and understand the hazards involved. Children shall not play with the appliance. Cleaning and user maintenance shall not be made by children without supervision.
- Keep the appliance and its cord out of reach of children less than 8 years.
- Don't use under the work surface and that it must not be subject to spillage from containers onto surfaces under which the appliance is installed.
- **WARNING:** Ensure that the appliance is switched off before replacing the lamp to avoid the possibility of electric shock.
- If the supply cord is damaged, it must be replaced by the manufacturer, its service agent or similarly qualified persons in order to avoid a hazard. (Model with power cord and plug)

- Only use the temperature probe recommended for this oven. (Model with probe)
- This product is designed specifically for household heating and cooking of food and is not suitable for other purposes.
- After unpacking, do not leave the packaging bags where infants and young children can reach them.
- The appliance must be installed and commissioned by authorized technical personnel. The manufacturer is not responsible for any damage caused by unauthorized installation or improper placement.
- Do not place any items on the oven door, as this may cause the appliance to become unbalanced or damage the door.
- If smoke is detected, turn off the appliance or unplug it and keep the oven door closed to suppress the spread of flames.
- The appliance must not be operated with an external timer or a separate remote control system.
- If the appliance is not used for an extended period, unplug it from the power outlet to prevent leakage or fire caused by aging of the power cord.
- The appliance will become hot during use; avoid contact with the heating elements inside the oven.
- To avoid burns, after cooking is complete, open the oven door slightly to let the hot air dissipate, and use heat-resistant gloves to remove the food.
- Failure to clean the appliance may lead to surface deterioration, which can affect the appliance's lifespan and may result in dangerous situations.
- The grease generated during cooking can corrode the cavity, affect heating performance, and alter the taste of food. Therefore, clean the appliance promptly after use.
- Do not use poor-quality cleaning agents or corrosive, volatile chemical solvents to wipe the oven.

PRODUCT INSTALLATION

If there is any discrepancy between the illustration and the actual product, please refer to the actual product.

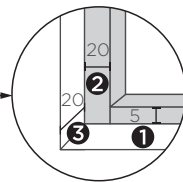
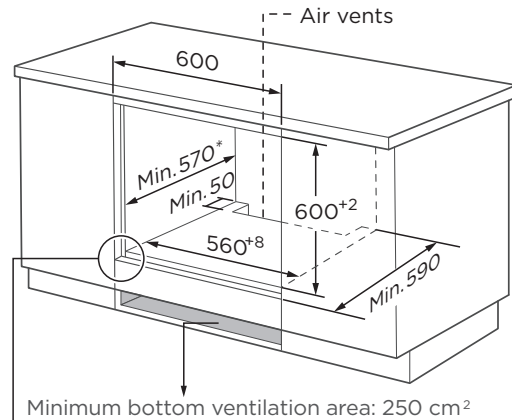
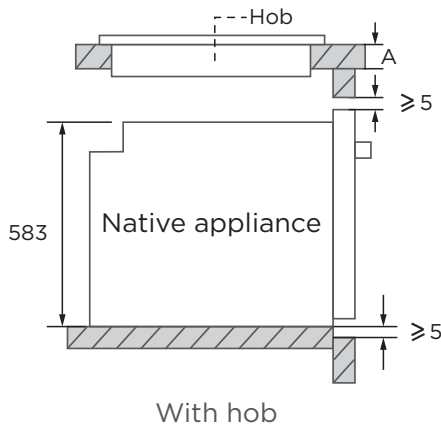
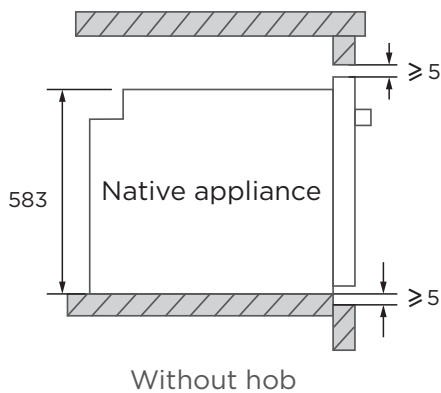
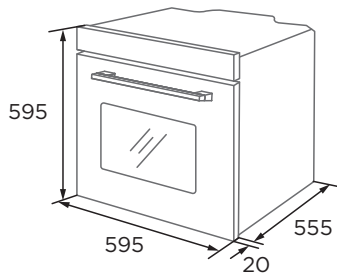
Cupboard Diagram (Standing Cupboard)



- 1 Reserve 5 mm for the door panel at the top and bottom respectively.
- 2 Reserve 20 mm for the door panel on the left and right respectively.
- 3 Reserve 20 mm for the door panel in thickness.

1. The thickness of the cupboard board is 20 mm.
2. If the power socket is installed on the back of the appliance, the depth of the cupboard opening shall be increased from a minimum of 590 mm to 620 mm.
3. The dimensions in the figures are in mm.

Cupboard Diagram (Ground Cupboard)



- ❶ Reserve 5 mm for the door panel at the top and bottom respectively.
- ❷ Reserve 20 mm for the door panel on the left and right respectively.
- ❸ Reserve 20 mm for the door panel in thickness.

If the appliance is installed under the hob, the minimum thickness of worktop A is shown below:

Hob type	worktop A
Induction hob	37 mm
Full-surface induction hob	47 mm
Gas hob	30 mm
Electric hob	27 mm

1. The thickness of the cupboard board is 20 mm.
2. If the power socket is installed on the back of the appliance, the depth of the cupboard opening shall be increased from a minimum of 590 mm to 620 mm.
3. The dimensions in the figures are in mm.

Installation Important Instructions

Content that means [mandatory]

1. The safe operation of this appliance can only be guaranteed if it has been installed to a professional standard in accordance with these installation instructions. The installer shall be liable for any damage resulting from incorrect installation.
2. The entire installation process requires two professional installers. Wear dry protective gloves during installation to avoid scratch or electric shock.
3. Fitted units must be heat-resistant up to 90°C, and adjacent unit fronts up to 70°C.

Content that means [prohibit]

1. Do not install the appliance behind a decorative door or the door of a kitchen unit, as this may cause the appliance to overheat.
2. Check the appliance for damage after unpacking it. Do not connect the appliance if it has been damaged in transit.
3. Do not block the vent of the appliance and the gap between the cupboard and the appliance.
4. Use extreme caution when moving or installing the appliance. It is very heavy, do not lift the appliance by the door handle.
5. If the power cord or power plug is damaged, stop using the appliance immediately, to avoid fire, electric shock or other injuries.

Content that means [note]

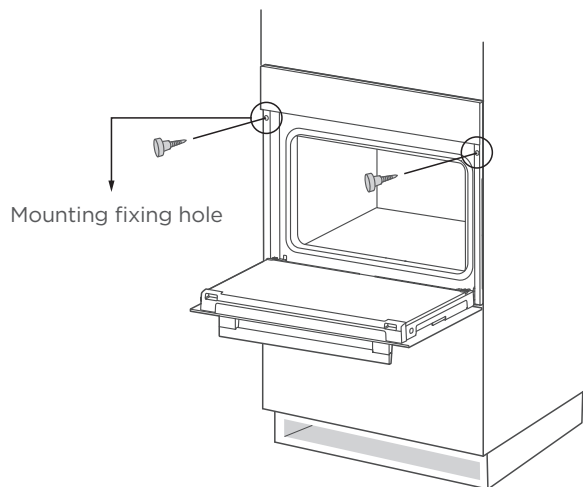
1. Be very careful when moving or installing the appliance to avoid damage to the appliance or damage to the cupboards.
2. Before starting up the appliance, remove all packaging materials and accessories from the cavity.
3. The power socket shall be accessible to users (such as next to the cupboard) for easy power-off.
4. After installation is complete, make sure that the power plug is firmly inserted into the socket.
5. Please refer to the "Cupboard Diagram" for the requirements of net depth of the cupboard. The clearance between the cupboard bottom board and the rear board (or wall) shall not be less than 50 mm.

Installation steps

1. Please customize the cupboard according to the "Cupboard Diagram".
2. Before installation, please check for normal power sockets and appropriate grounding, and check whether the cupboard dimension meets the installation requirements.
3. Place the appliance in designated locations in the kitchen, install it in a vertical cupboard, and connect the power supply.
4. To locate the mounting fixing holes, open the appliance door and look at the side frame of the appliance (position shown above).

Installation steps

5. Fix the appliance on the Cupboard with two screws.

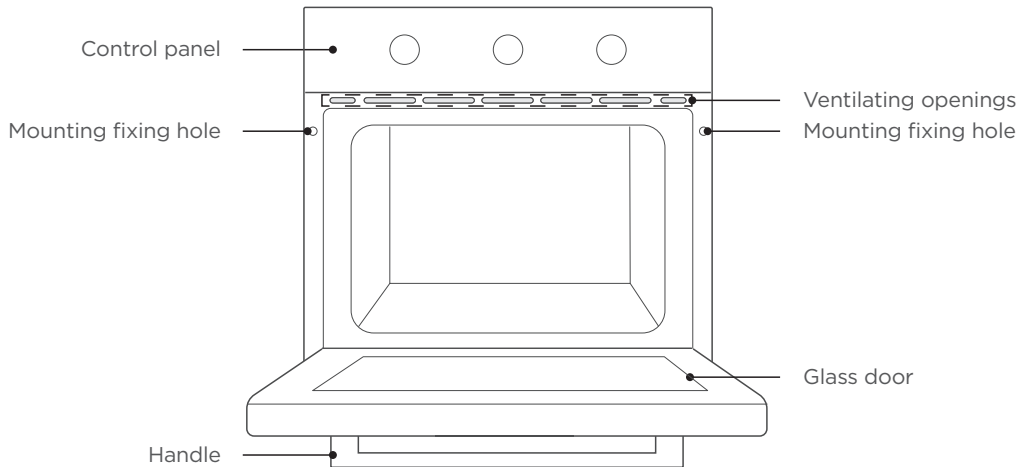


PRODUCT INTRODUCTION

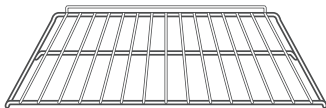
Oven

When removing food, please wear heat insulating gloves to prevent burns!

At the moment of opening the door of the furnace, pay attention to the steam. Please open the door at a small Angle to avoid the steam on your face.

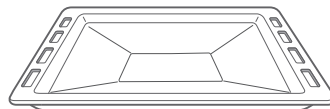


Accessories



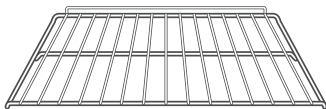
Grill rack

Grill food or place heat-resistant cooking containers



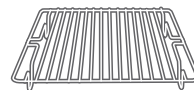
Grill tray

Cook large portions of food or catch food scraps



Grill rack

Grill food or place heat-resistant cooking containers

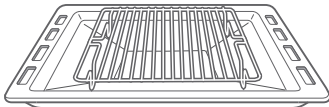
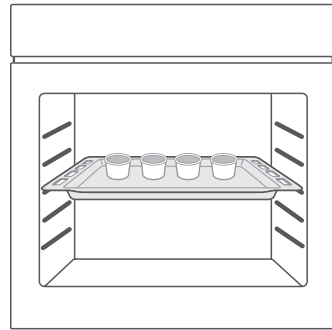
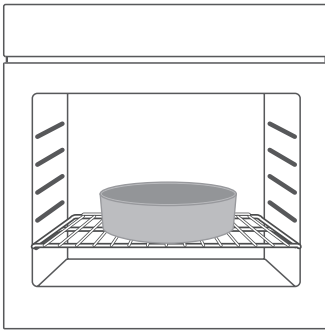
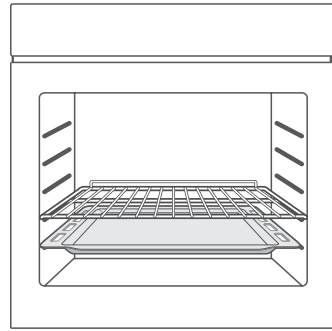
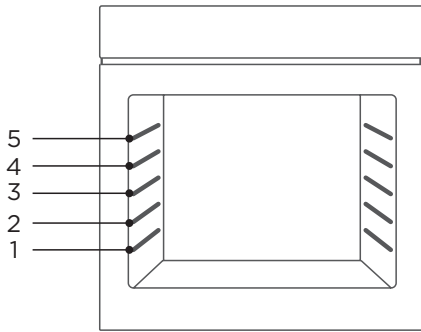


Small grill rack

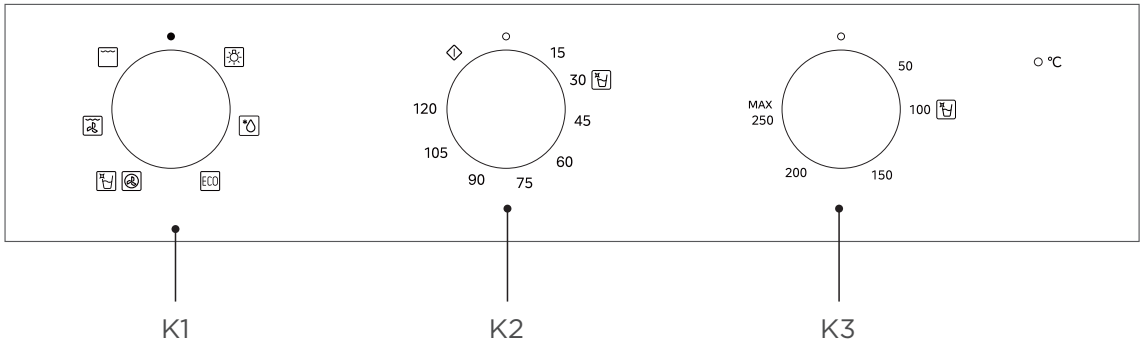
Cook smaller portions of food

Accessories use








For the oven to work properly, the grill rack and Grill tray should only be placed between the first and fifth levels. When used together, place the Grill tray under the grill rack.



Control Panel




- K1: For selecting oven functions.
 K2: For setting the time.
 K3: For setting the temperature.

Function	Function introduction
 Lamp	The cooking process can be observed under illuminated conditions. Except ECO function.
 Defrost	The circulation of air at room temperature enables quicker thawing of frozen food (without the use of any heat).
 Convection	In convection mode, the fan turns on automatically to provide even heat for single or multi-layer baking. This is particularly suitable for baking foods that require even coloring.
 Single grill with fan	The radiant heating element and are working with fan.
 Single grill	The inner grill element switches on and off to maintain temperature. Can be used to grill a small number of food.
 Water clean	Steam softens food residue or grease in the cavity.
 ECO	For energy-saving cooking. Suitable for baking small and flat foods.

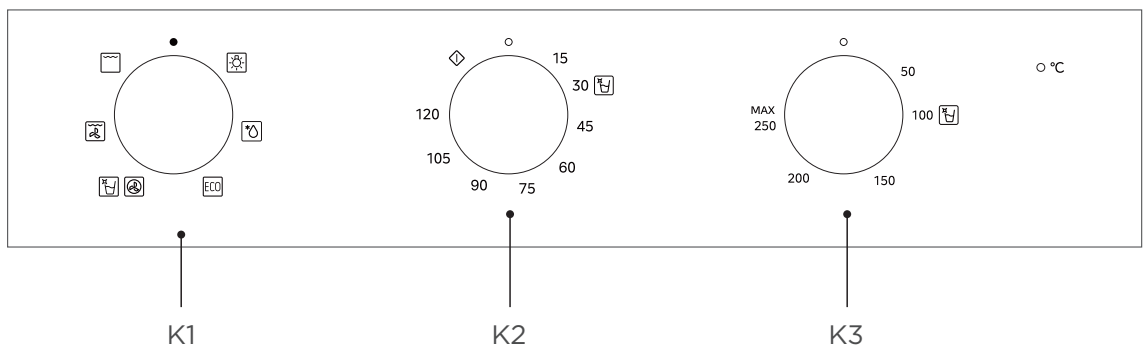
Before using for the first time

1. The oven must not be operated until it has been correctly installed.
2. To avoid fire, remove all transport protection materials and ensure that the oven is free of residual packaging items and accessories (e.g. foam, cardboard, grill tray, grill rack, etc.).
3. Clean the oven cavity and accessories with soapy water and a soft cloth.
4. Open kitchen windows and cooker hoods to maintain high ventilation.
5. Do not let children or pets into the kitchen and close the doors of adjacent rooms.
6. After connecting the power, activate the oven mode, time, and temperature in the table below to remove odors in the cavity.
7. After the first use, please open the oven door at a small angle and wait for the cooling to complete.

Function	Temperature	Time
	250°C	0.5Hour

Regular operation

1. Turn knob K1 to select the oven functions.
2. Turn knob K2 to adjust the time.
3. Turn knob K3 to adjust the temperature.
4. When cooking is finished, turn all knobs to the "0" position.




Note

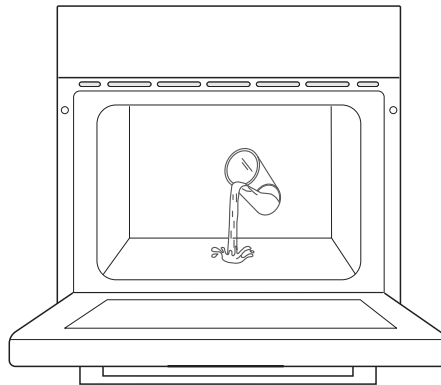
As a separate function, Oven light is used by consumers to actively choose to observe food or clean the cavity. After the user opens it, they need to actively close it before exiting and returning to standby mode.

CLEANING AND MAINTENANCE

Cleaning

Disconnect the power supply before cleaning and maintenance.
In order to ensure the life of the oven, it should be thoroughly cleaned frequently.
The cleaning steps are as follows:

1. After cooking, wait for the oven to cool completely.
2. Remove oven accessories, rinse with warm water and dry.
3. Remove food residues and oil stains from the oven cavity.
4. Clean the oven surface with a soft cloth dampened with detergent and dry.
5. Start the water clean function as follows:
 - 1). Add about 250 ml of purified water and an appropriate amount of dish soap to the cavity and stir well.
 - 2). With the oven door closed, turn Knob K1 to the "  " position.
 - 3). Turn knob K2 to the "30 minutes" position.
 - 4). Turn knob K3 to the "100°C" position
6. After the water clean function is completed, wait for the oven to cool completely.
Then dry the furnace oven cavity with clean absorbent sponge or soft cloth.

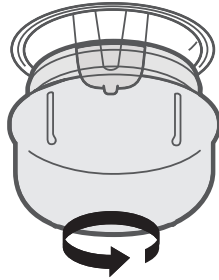


Notes

1. Do not use sharp cleaning tools, hard brush and corrosive cleaning products, so as not to damage the oven and its accessories.
2. Do not use rough scrubbing agent or sharp metal spatula to clean the door glass.

Lamp Replacement

1. Switch off and disconnect the power from the oven. Ensure that the internal parts are cool before touching internal parts.
2. Remove the lamp cover by turning it counter-clockwise (note, it may be stiff), replace the bulb with a new one of the same type.
3. Insert the new bulb, which should be resistant to 300°C. For replacement bulbs contact your local service centre.
4. If in any doubt, consult a qualified electrician for help.
5. The product contains a light source of energy efficiency class:G.



Warning

To avoid electric shocks-please ensure that the electricity supply to the appliance is switched off and the appliance is fully cold. before removing the lamp lens.

TROUBLESHOOTING

If the problem cannot be solved or other problems occur, please contact the after-sales service.

Problem	Possible reason	Solution
Unable to start	<ul style="list-style-type: none"> • Power is not connected 	<ul style="list-style-type: none"> • connect power supply
	<ul style="list-style-type: none"> • The main power switch is not turned on 	<ul style="list-style-type: none"> • Turn on the power switch
	<ul style="list-style-type: none"> • Oven door not closed 	<ul style="list-style-type: none"> • Close the oven door
lamp does not come on	<ul style="list-style-type: none"> • It's broken 	<ul style="list-style-type: none"> • Contact after-sales service
Has a pungent odor or smoke	<ul style="list-style-type: none"> • first use 	<ul style="list-style-type: none"> • No processing required
Food is not cooked	<ul style="list-style-type: none"> • Temperature is too low 	<ul style="list-style-type: none"> • Use a higher temperature
	<ul style="list-style-type: none"> • Food portion is too large 	<ul style="list-style-type: none"> • Cook food in smaller pieces or extend the cooking time.
Burnt or uneven food	<ul style="list-style-type: none"> • The temperature is set too high or the heating time is too long 	<ul style="list-style-type: none"> • Adjust the cooking temperature or time
	<ul style="list-style-type: none"> • The food is too close to the heating tube 	<ul style="list-style-type: none"> • Adjust the placement layers of accessories
The fan did not stop working after stopping the heating	<ul style="list-style-type: none"> • Fan delays blowing for heat dissipation 	<ul style="list-style-type: none"> • No processing required

SPECIFICATIONS

ENERGY EFFICIENCY

Product Information and Product Information Sheet according to EU and UK Ecodesign and Energy Labelling Regulations

Supplier's name	Midea
Model identification	MBO65M90M1-BK / MBO65M90M1-SS
Energy Efficiency Index	94.0
Energy efficiency class	A
Energy consumption with a standard load, conventional mode	----kWh/cycle*
Energy consumption with a standard load, fan-forced mode	0.79kWh/cycle*
Number of cavities	1
Heat source	Electricity
Volume	70L
Type of oven	BUILT-IN OVEN
RATED VOLTAGE/ FREQUENCY	220-240 V~ 50-60 Hz
ELECTRIC POWER	2.1 kW

ENERGY CONSUMPTION

Product information for power consumption and maximum time to reach applicable low power mode.

Off mode	0.3 W
----------	-------

PRODUCT RECYCLING

This symbol on the product or instruction manual indicates that your device should be disposed of separately from your household waste at the end of its useful life. There is a separate recycling system locally for recycling. For more information, please contact the local authority or retailer where you purchased the product.



When you have unpacked the oven, make sure that it has not been damaged in any way. If you have any doubts at all, do not use it: contact a professionally qualified person. Keep packing materials such as plastic bags, polystyrene, or nails out of the reach of children because these are dangerous to children.

IMPORTANT

**Activate your
Warranty**



0333 034 8425
midea.warrantyonline.co.uk





make yourself at home



www.midea.com

© Midea 2026 all rights reserved