

BUILT-IN OVEN

USER MANUAL

MBOD50M3AD0-BK
MBOD50M3AD0-SS

Warning notices: Before using this product, please read this manual carefully and keep it for future reference. The design and specifications are subject to change without prior notice for product improvement. Consult with your dealer or manufacturer for details. The illustration is for reference only. Please take the appearance of the actual product as the standard.

THANK YOU LETTER

Thank you for choosing Midea! Before using your new Midea product, please read this manual thoroughly to ensure that you know how to operate the features and functions that your new appliance offers in a safe way.

CONTENTS

THANK YOU LETTER	01
SAFETY INSTRUCTIONS	02
SPECIFICATIONS	06
PRODUCT OVERVIEW	07
QUICK START GUIDE	09
PRODUCT INSTALLATION	11
OPERATION INSTRUCTIONS	15
CLEANING AND MAINTENANCE	18
TROUBLESHOOTING	21
DISPOSAL AND RECYCLING	22

SAFETY INSTRUCTIONS

Intended use

The following safety guidelines are intended to prevent unforeseen risks or damage from unsafe or incorrect operation of the appliance. Please check the packaging and appliance on arrival to make sure everything is intact to ensure safe operation. If you find any damage, please contact the retailer or dealer. Please note modifications or alterations to the appliance are not allowed for your safety concerns. Unintended use may cause hazards and loss of warranty claims.

Explanation of symbols



Danger

This symbol indicates that there are dangers to the life and health of persons due to extremely flammable gas.



Warning of electrical voltage

This symbol indicates that there is a danger to life and health of persons due to voltage.



Warning

The signal word indicates a hazard with a medium level of risk which, if not avoided, may result in death or serious injury.



Caution

The signal word indicates a hazard with a low degree of risk which, if not avoided, may result in minor or moderate injury.



Attention

The signal word indicates important information (e.g. damage to property), but not danger.



Observe instructions

This symbol indicates that a service technician should only operate and maintain this appliance in accordance with the operating instructions.

Read these operating instructions carefully and attentively before using/commis-
sioning the unit and keep them in the immediate vicinity of the installation site or
unit for later use!

WARNING

- The appliance and its accessible parts become hot during use. Care should be taken to avoid touching heating elements. Children less than 8 years of age shall be kept away unless continuously supervised.
- This appliance can be used by children aged 8 years and above and persons with reduced physical, sensory or mental capabilities or lack of experience and knowledge if they have been given supervision or instruction concerning the use of the appliance in a safe way and understand the hazards involved. Children shall not play with the appliance. Cleaning and user maintenance shall not be done by children without supervision.
- If the surface is cracked, switch off the appliance to avoid the possibility of electric shock.
- The instructions for pyrolytic self-cleaning ovens shall state that excess spillage must be removed before cleaning and shall specify which utensils can be left in the oven during cleaning. If, for cleaning, the manufacturer instructs the user to set the controls to a position higher than for normal cooking purposes, the instructions shall state that under such conditions the surfaces may get hotter than usual and children should be kept away.
- Keep the appliance and its cord out of reach of children less than 8 years.

PROHIBIT

- Do not use harsh abrasive cleaners or sharp metal scrapers to clean the oven door glass since they can scratch the surface, which may result in the shattering of the glass.
- A steam cleaner is not to be used.
- The appliance is not intended to be operated by means of an external timer or a separate remote control system.
- Do not use the oven unless you are wearing something on your feet. Do not touch the oven with wet or damp hands or feet.
- When the door or drawer of the oven is open do not leave anything on it, or you may unbalance your appliance or break the door.
- Do not allow children to go near the oven when it is operating, especially when the grill is on.

CAUTION

- Don't use under the worksurface and it must not be subject to spillage from containers onto surfaces under which the appliance is installed.
- Please use the product in an open environment.
- During use, the appliance becomes very hot. Care should be taken to avoid touching heating elements inside the oven.
- Ensure that the appliance is switched off before replacing the oven lamp to avoid the possibility of electric shock.
- The means for disconnection must be incorporated in the fixed wiring in accordance with the wiring specifications.
- Children should be supervised to ensure that they do not play with the appliance.
- This appliance is not intended for use by persons (including children) with reduced physical, sensory or mental capabilities, or lack of experience and knowledge unless they have been given supervision or instruction concerning the use of the appliance by a person responsible for their safety.
- Accessible parts may become hot during use. Young children should be kept away.
- An all-pole disconnection means must be incorporated in the fixed wiring in accordance with the wiring rules.
- If the supply cord is damaged, it must be replaced by the manufacturer, its service agent or similarly qualified persons in order to avoid a hazard.

ATTENTION

- When the oven is first switched on, it may give off an unpleasant smell. This is due to the bonding agent used for the insulating panels within the oven. Please run the new empty product with the conventional cooking function, 250°C, for 30 minutes to clean oil impurities inside the cavity.
- During the first use, it is completely normal that there will be slight smoke and door. If it does occur, you should wait for the smell to be cleared before putting food into the oven.
- Only use the temperature probe recommended for this oven.
- The oven door should not be opened often during the cooking period.
- The appliance must be installed by an authorized technician and put into use. The producer is not responsible for any damage that might be caused by defective placement, and installation by unauthorized personnel.
- When the door or drawer of the oven is open do not leave anything on it, or you may unbalance your appliance or break the door.
- Some parts of the appliance may keep its heat for a long time; it is required to wait for it to cool down before touching onto the points that are exposed to the heat directly.
- If you will not use the appliance for a long time, it is advised to plug it off.

SPECIFICATIONS

ENERGY EFFICIENCY

Product Information and Product Information Sheet according to EU and UK Ecodesign and Energy Labelling Regulations

Supplier's name	Midea	
Model identification	MBOD50M3ADO-BK / MBOD50M3ADO-SS	
Energy efficiency class	A	
Energy Efficiency Index	106.4	95.8
Energy consumption with a standard load, conventional mode	----kWh/cycle	0.68kWh/cycle
Energy consumption with a standard load, fan-forced mode	0.83kWh/cycle	----kWh/cycle
Volume	54L	38L
Number of cavities	2	
Heat source	Electricity	
Type of oven	Built-in Oven	
RATED VOLTAGE/FREQUENCY	220-240V~ 50-60Hz	
ELECTRIC POWER	4.0 kW	

ENERGY CONSUMPTION

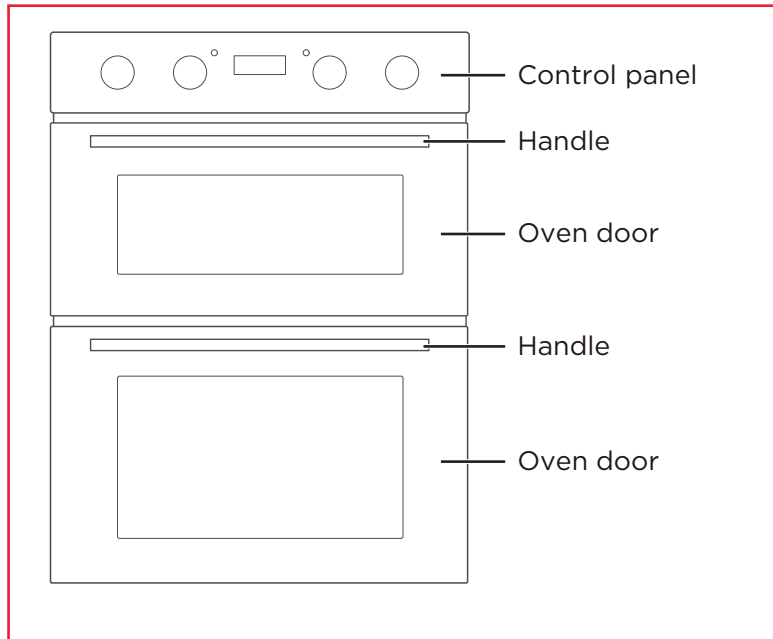
Product information for power consumption and maximum time to reach applicable low power mode.

Standby mode	0.8 W
The maximum time needed for the oven to automatically reach the applicable low power mode or condition	20 Minutes

PRODUCT OVERVIEW

Oven

When taking out food, please wear heat-insulating gloves to prevent burns!
Pay attention to the hot air when opening the oven door.

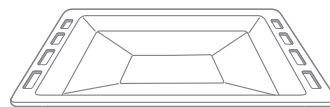


Accessories



Grill rack

Grill food or place heat-resistant cooking containers



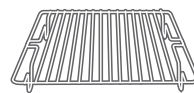
Deep grill tray

Cooking food or receiving food scraps



Grill rack

Grill food or place heat-resistant cooking containers

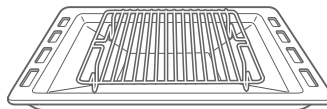
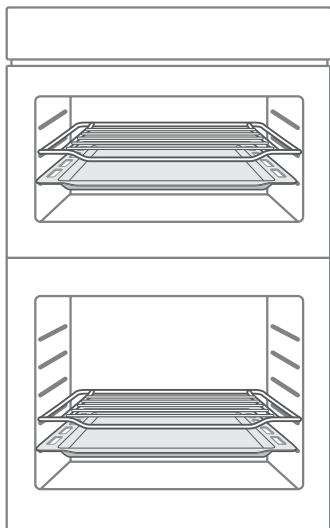


Small grill rack

Cook smaller portions of food

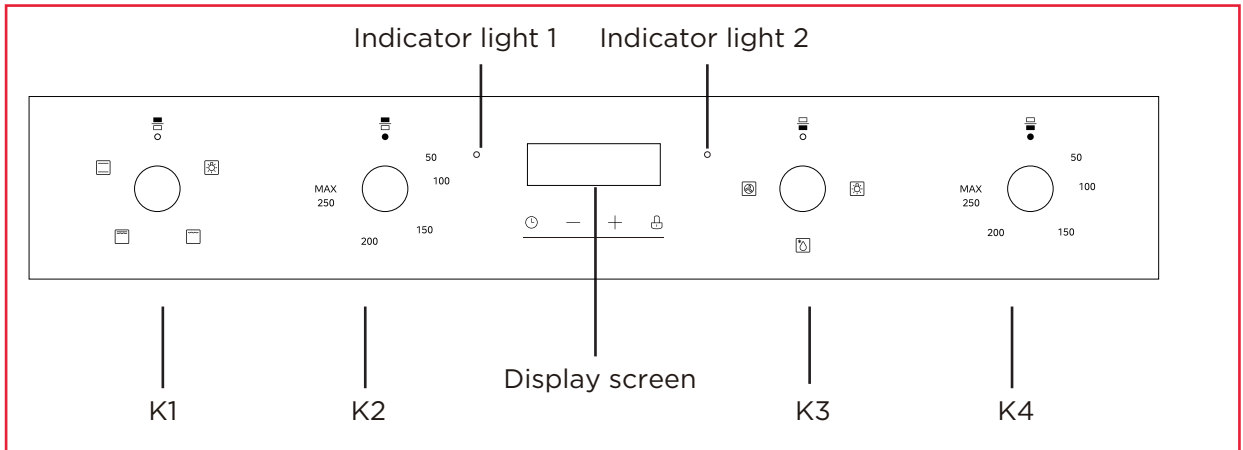
Accessories Use

For the oven to work properly, the grill rack and grill tray should only be placed between the first and fifth levels. When used together, place the grill tray under the grill rack.



QUICK START GUIDE

Oven Control Panel



Knob K1: Control the top oven function.

Knob K2: Control the top oven temperature.

Knob K3: Control the main oven function.







Knob K4: Control the main oven temperature.

When the top oven is in working condition, the indicator light 1 lights up.

When the main oven is in working condition, the indicator light 2 lights up.

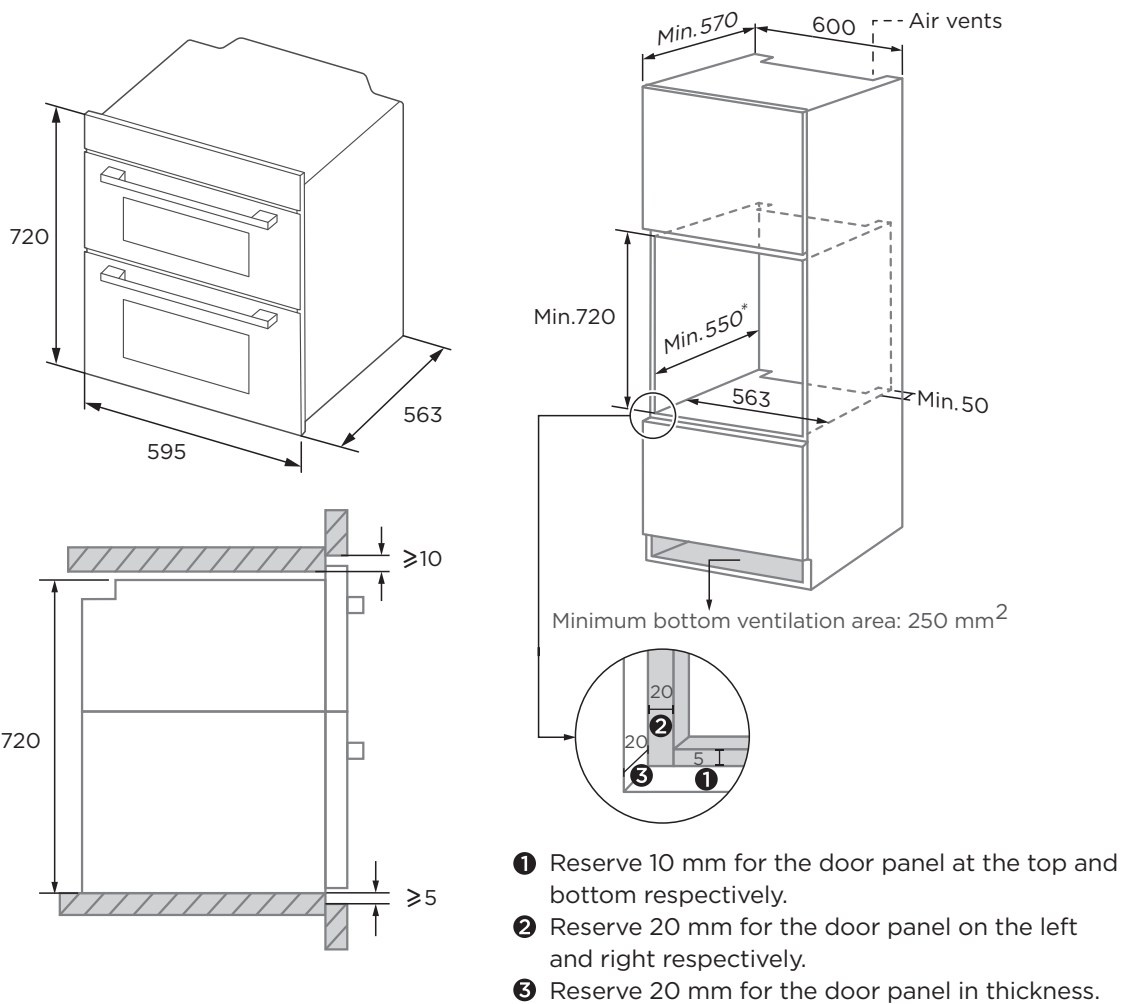
When the oven control knob is not in the "off" position, and the cooking time and end time are not set, the oven will always work.

After cooking, please turn all the control knobs to the "o" position.

Function	Introduction
 <p>Conventional</p>	<p>The top and bottom heating elements work together to provide convectional cooking.</p>
 <p>Convection</p>	<p>In convection mode, the fan turns on automatically to provide even heat for single or multi-layer baking. This is particularly suitable for baking foods that require even colouring.</p>
 <p>Radiant heat</p>	<p>The inner grill element switches on and off to maintain temperature. Can be used to grill You can use it to cook a small amount of food.</p>
 <p>Double grill</p>	<p>The radiant heating element and top heating element are working.</p>
 <p>Defrost</p>	<p>The circulation of air at room temperature enables quicker thawing of frozen food (without the use of any heat).</p>
 <p>Lamp</p>	<p>The cooking process can be observed under illuminated conditions.</p>

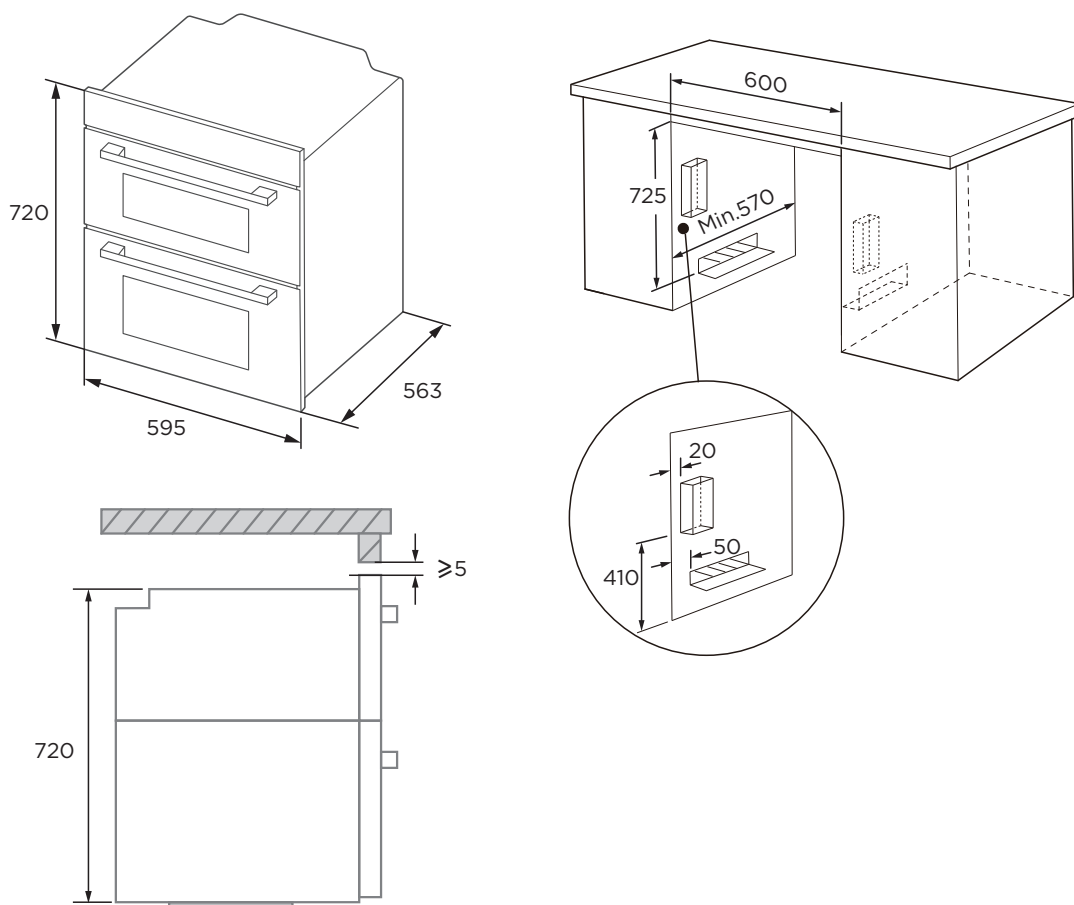
PRODUCT INSTALLATION

Cupboard Diagram (Standing Cupboard)



1. The thickness of the cupboard board is 20 mm.
2. If the power socket is installed on the back of the appliance, the depth of the cupboard opening shall be increased from a minimum of 570 mm to 590 mm.
3. The dimensions in the figures are in mm.

Cupboard Diagram (Ground Cupboard)



1. The thickness of the cupboard board is 20 mm.
2. If the power socket is installed on the back of the appliance, the depth of the cupboard opening shall be increased from a minimum of 570 mm to 590 mm.
3. The dimensions in the figures are in mm.

Installation Important Instructions

Rules must follow

1. The safe operation of this appliance can only be guaranteed if it has been installed to a professional standard by these installation instructions. The installer shall be liable for any damage resulting from incorrect installation.
2. The entire installation process requires two professional installers. Wear dry protective gloves during installation to avoid scratches or electric shock.
3. Fitted units must be heat-resistant up to 90°C, and adjacent unit fronts up to 70°C.
4. Please use a 16A socket.

Rules must prohibit

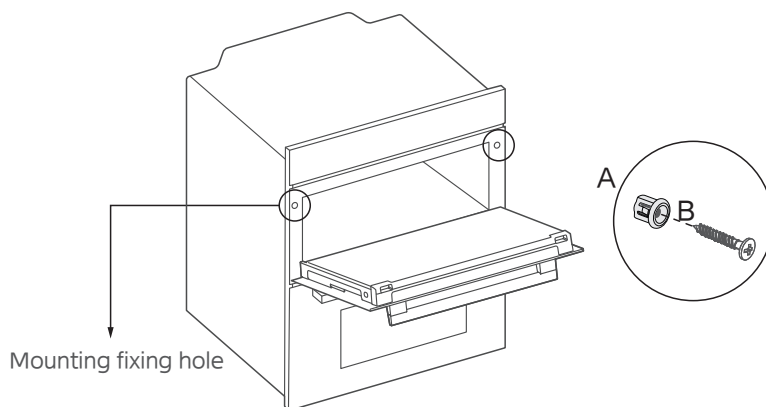
1. Do not install the appliance behind a decorative door or the door of a kitchen unit, as this may cause the appliance to overheat.
2. Check the appliance for damage after unpacking it. Do not connect the appliance if it has been damaged in transit.
3. Do not block the vent of the appliance and the gap between the cupboard and the appliance.
4. Use extreme caution when moving or installing the appliance. It is very heavy, do not lift the appliance by the door handle.
5. If the power cord or power plug is damaged, stop using the appliance immediately, to avoid fire, electric shock or other injuries.

Rules acknowledged

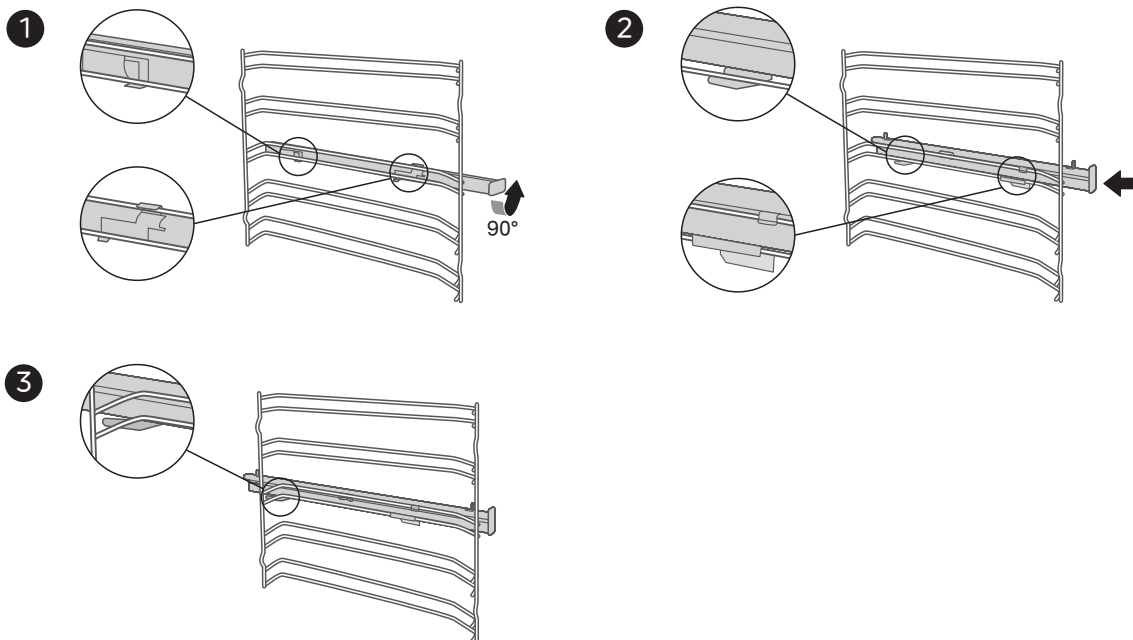
1. Be very careful when moving or installing the appliance to avoid damage to the appliance or damage to the cupboards.
2. Before starting up the appliance, remove all packaging materials and accessories from the cavity.
3. The power socket shall be accessible to users (such as next to the cupboard) for easy power-off.
4. After installation is complete, make sure that the power plug is firmly inserted into the socket.
5. Please refer to the "Cupboard Diagram" for the requirements of net depth of the cupboard. The clearance between the cupboard bottom board and the rear board (or wall) shall not be less than 50 mm.

Installation steps

1. Please customize the cupboard according to the "Cupboard Diagram".
2. Before installation, please check for normal power sockets and appropriate grounding, and check whether the cupboard dimension meets the installation requirements.
3. Place the appliance in designated locations in the kitchen, install it in a vertical cupboard, and connect the power supply.
4. To locate the mounting fixing holes, open the appliance door and look at the side frame of the appliance (position shown above).
5. Please open the oven door, determine the fixing hole, and fix the oven to the cabinet by screws.




Accessory installation (Only for some models)



OPERATION INSTRUCTIONS

First Use

1. Before using it for the first time, please clean the oven and accessories to a certain extent. Remove the oven packaging shipping protection parts. Remove all accessories (e.g. foam, cardboard, grill tray, grill rack, etc.) from the cavity.
2. Thoroughly clean the attachment with soapy water and a rag or soft brush.
3. Wipe the cavity and oven surfaces with a soft damp cloth.
4. To avoid fire, please make sure that the cavity is free of any remaining packing materials and accessories when using it for the first time.
5. When using it for the first time, keep the kitchen highly ventilated (open the hood and windows). During this time, keep children and pets out of the kitchen and keep the doors of adjacent rooms closed.
6. To remove the smell of new products, run the following:

Oven Mode	Temperature	Time
 Conventional	250°C	0.5 Hour

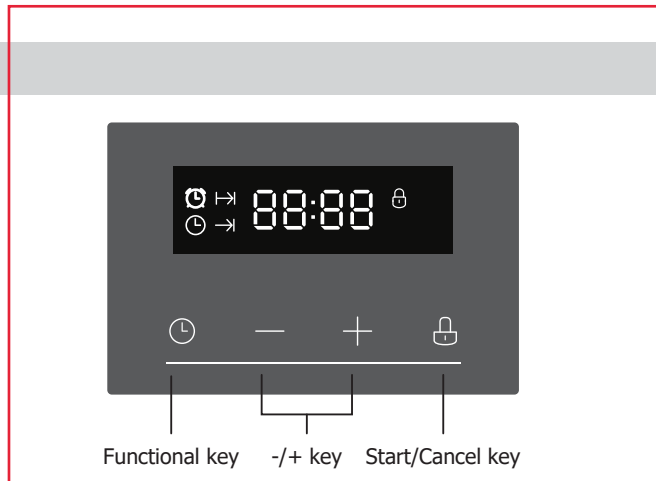
Regular operation

1. Turn knob to select the oven functions.
2. Turn knob to adjust the temperature.
3. Mode setting. (Only for some models)
4. When cooking is finished, turn all knobs to the "O" position.

NOTES

1. The oven lamp is a main function, which is used by users to observe the cooking state of food and to check the oil stains and residues in the cavity when cleaning. After turning on the oven lamp function, you need to turn it off actively before the oven can return to the standby state.
2. After cooking, the cooling fan of the whole machine will continue to work to dissipate heat until the cavity is below the safe temperature.

Mode setting



When the power supply is connected, "0:00" is displayed, "⌚" flashes, and press any key to exit.

In standby mode, press the "⌚" key continuously to select functions: clock → Alarm setting → duration setting → clock setting → clock (*: for default).

NOTE

Press and hold the "+" or "-" key to quickly adjust the time.

Clock setting

Before using the oven, please complete the clock setting.

1. Press the "⌚" key to select the "⌚".
2. Press the "+" or "-" key to adjust the time. Do not operate for 5 seconds, and display the current time.

Alarm setting

1. Press the "⌚" key to select the "⌚".
2. Press the "+" or "-" key to adjust the alarm clock time. Wait for 5 seconds and start the countdown.

NOTES

1. When the countdown shows "0:00", the prompt sounds. Press any key to exit the alarm clock function.
2. During work, press the "+" or "-" key to adjust the alarm clock time.
3. During work, press the "⌚" key once to enter the cooking time setting.

Duration time setting

1. Press the "⌚" key to select "|→|" in standby or alarm clock state or manual mode.
2. Press the "+" or "-" key to adjust the cooking time, wait for 5 seconds to complete the confirmation, and start the countdown.

NOTE

1. When the countdown is over, the prompt sounds. Press any key to cancel the tone. Press the "⌚" key to return to standby.
2. During cooking, press the "⌚" key to query and change the cooking time.

Cooking state

1. When the icon "|→|" lights up, it means that the oven has set the cooking time. At this time, after turning the control knob to select the function and temperature, the oven will work. When the countdown to cooking time ends, the oven will stop working.
2. When the oven control knob is not in the "off" position, and the cooking time and end time are not set, the oven will always work.

Child lock function

1. In any state, press the "🔒" key for 3 seconds to enter the child lock state.
2. In the child lock state, press and hold the "🔒" key to release the child lock state.

CLEANING AND MAINTENANCE

Cleaning

Disconnect the power supply before cleaning and maintenance.
To ensure the life of the oven, it should be thoroughly cleaned frequently.
The cleaning steps are as follows:

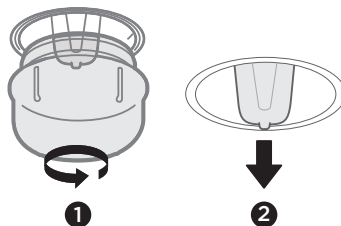
1. After cooking, wait for the oven to cool completely.
2. Remove oven accessories, rinse with warm water and dry.
3. Clean up food debris from the oven chamber.
4. Wipe the oven with a soft cloth stained with detergent, then with a dry soft cloth.

NOTE

1. Do not use sharp cleaning tools, hard brush and corrosive cleaning products, so as not to damage the oven and its accessories.
2. Do not use a rough scrubbing agent or sharp metal spatula to clean the door glass.

Lamp Replacement

1. To prevent the lamp from being damaged, put a towel in the cavity.
2. Turn counterclockwise to remove the glass cover (corner lamp);
3. Pull out the wick and replace it (don't turn it).
4. Install the glass cover back and take out the towel.
5. The product contains a light source of energy efficiency class: G.



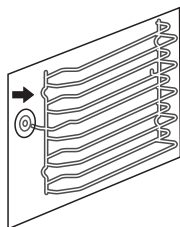
Warning

To avoid electric shocks-please ensure that the electricity supply to the appliance is switched off and the appliance is fully cold. before removing the lamp lens.

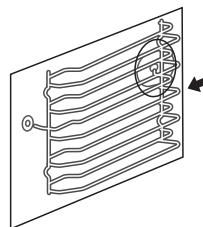
Side frame Cleaning

To ensure the oven shelves operate safely, correct placement of the shelves between the side rails is imperative. Shelves and the grill pan can only be used between the first and fifth layers on the main oven and first and third layers on the top oven. Ensure that shelves are inserted correctly, with the upstand at the back and pointing upwards. This will help to prevent the shelves tipping forwards when they are pulled out.

1. Pull out the front end of the side frame in the direction of the arrow.
2. Pull out the rear end of the side frame in the direction of the arrow.



1



2

Door Cleaning

With good care and cleaning, your appliance will retain its appearance and remain fully functional for a long time to come.

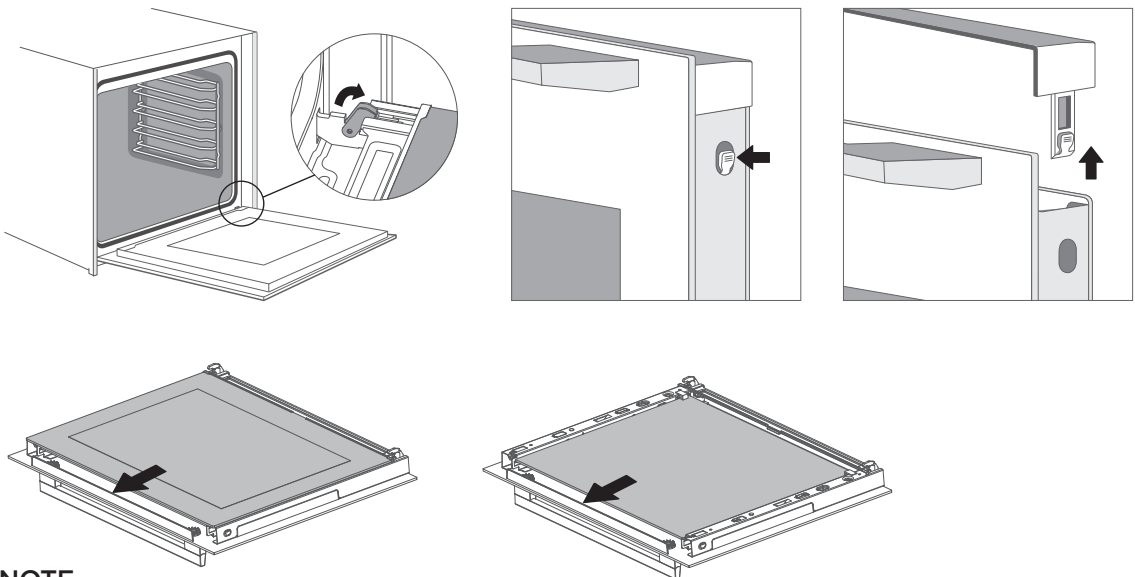
For cleaning purposes and to remove the door panels, you can detach the appliance door. There is a lock lever on the left and right hinges of the appliance door. When the locking levers are closed, the appliance door is secured in place. It cannot be detached. When the locking levers are open in order to detach the appliance door, the hinges are locked. They cannot snap shut.

Warning

1. The hinges on the appliance door move when opening and closing the door, and you may be trapped. Keep your hands away from the hinges.
2. If the hinges are not locked, they can snap shut with great force. Ensure that the locking levers are always fully closed or, when detaching the appliance door, fully open.

Removal and installation of oven door

1. Open the appliance door fully.
2. Fold open the two locking levers on the left and right.
3. Close the appliance door as far as the limit stop.
4. With both hands, grip the door on the left- and right-hand side, and pull it out upwards.
5. The plastic inlay in the door cover may become discoloured. To carry out a thorough cleaning, you can remove the cover. Press the left and right switches the cover.
6. After removing the door cover, gently lift the door glass, and then pull it out in the direction of the arrow to continue cleaning. After cleaning the door body, complete the door body assembly in reverse steps.



NOTE

Reattach the appliance door in the opposite sequence to remove.

TROUBLESHOOTING

If the problem cannot be solved or other problems occur, please contact the after-sales service.

Problem	Possible reason	Solution
Unable to start	<ul style="list-style-type: none"> • Power is not connected 	<ul style="list-style-type: none"> • connect power supply
	<ul style="list-style-type: none"> • The main power switch is not turned on 	<ul style="list-style-type: none"> • Turn on the power switch
	<ul style="list-style-type: none"> • The oven door is not closed 	<ul style="list-style-type: none"> • Close the oven door
The lamp does not come on	<ul style="list-style-type: none"> • It's broken 	<ul style="list-style-type: none"> • Contact after-sales service
Has a pungent odour or smoke	<ul style="list-style-type: none"> • first use 	<ul style="list-style-type: none"> • No processing required
The food is not cooked	<ul style="list-style-type: none"> • Temperature is too low 	<ul style="list-style-type: none"> • Use a higher temperature
	<ul style="list-style-type: none"> • Food portion is too large 	<ul style="list-style-type: none"> • Cook food in smaller pieces or extend the cooking time.
Burnt or uneven food	<ul style="list-style-type: none"> • The temperature is set too high or the heating time is too long 	<ul style="list-style-type: none"> • Adjust the cooking temperature or time
	<ul style="list-style-type: none"> • The food is too close to the heating tube 	<ul style="list-style-type: none"> • Adjust the placement layers of accessories
The fan did not stop working after stopping the heating	<ul style="list-style-type: none"> • Fan delays blowing for heat dissipation 	<ul style="list-style-type: none"> • No processing required

DISPOSAL AND RECYCLING

Important instructions for the environment

Compliance with the WEEE Directive and Disposing of the Waster Product:
This product complies with the EU WEEE Directive (2012/19/EU). This product bears a classification symbol for waster electrical and electronic equipment (WEEE).

This symbol indicates that this product shall not be disposed with other household wastes at the end of its service life. Used devices must be returned to the official collection point for the recycling of electrical electronic devices. To find these collection systems please contact to your local authorities or retailer where the product was purchased. Each household performs an important role in recovering and recycling old appliances. Appropriate disposal of used appliances helps prevent potential negative consequences for the environment and human health.



Compliance with RoHS Directive

The product you have purchased complies with the EU RoHS Directive (2011/65/EU). It does not contain harmful and prohibited materials specified in the Directive.

Package information

The packaging materials of the product are manufactured from recyclable materials by our National Environment Regulations. Do not dispose of the packaging materials together with the domestic or other wastes. Take them to the packaging material collection points designated by the local authorities.



IMPORTANT

Activate your
Warranty



0333 034 8425
midea.warrantyonline.co.uk





make yourself at home



www.midea.com
© Midea 2026 all rights reserved